

GPH75 & GPHC Grout Hog® Owner's Manual

Serial Number _____



Before using this **Grout Hog®**, study and understand entire Owner's Manual.



W A R N I N G S

1. The **Grout Hog®** is a material delivery system and is not intended for any other use.



2. Make sure anyone operating the **Grout Hog®** is thoroughly familiar with its operation. Keep all unauthorized and untrained personnel, especially children, away from **Grout Hog®**.

3. Consult forklift or crane manufacturer's specifications to insure maximum load capacity is not exceeded.

Model	Empty Weight	Max Gross Weight
GPH75	1436lbs. (651.35 kg)	4436lbs. (2012.13 kg)
GPHC75	1525lbs. (691.72 kg)	4526lbs. (2052.50 kg)

Do not exceed Maximum Gross Weight

4. Always use skid pins and lynch pins or safety chains when **Grout Hog®** is on lift forks.



5. Never run machine with end cap removed.



6. Stay clear of auger while machine is running. Keep all body parts, solid objects, clothing, and jewelry away from all moving parts.

7. Never perform any work on the **Grout Hog®** while it is running. Before working on the **Grout Hog®** stop the motor, and disconnect battery to prevent accidental starting.

8. Never stand under an elevated **Grout Hog®**.



9. Avoid contact with hot hydraulic fluid. Allow system to cool before performing any repairs or service, such as adding fuel or oil.

10. Never ride the **Grout Hog®**.

11. Never operate the **Grout Hog®** under the influence of alcohol, drugs, or medications.

12. Use only factory authorized parts.

13. Inspect All hoses for nicks, cuts, or damage before each use. Replace if damaged.

14. Only lift **Grout Hog®** from lifting channels or crane bail if equipped.



15. Always wear approved safety glasses, hearing protection (112 dBA), and hard hats when operating or servicing a **Grout Hog®**.

16. The **Grout Hog®** is intended for use with a supervised hold to run control. If used outside of this scope call the **EZ Grout Corporation** for optional grate to cover hopper.

17. Do not use the **Grout Hog®** as a lifting device.

18. The disposal of used lubricants or hazardous materials must comply with all governmental regulations.

Warning: California - Proposition 65 Warning

Engine exhaust and some of its constituents, and some dust created by power sanding, sawing, grinding, drilling, and other construction activities contains chemicals known to the State of California to cause cancer, birth defects and other reproductive harm. Some examples of these chemicals are:

Lead from lead based paints - Crystalline silica from bricks -Cement and other masonry products -Arsenic and chromium from chemically treated lumber

Your risk from these exposures varies, depending on how often you do this type of work. To reduce your exposure to these chemicals: ALWAYS work in a well ventilated area, and work with approved safety equipment, such as dust masks that are specially designed to filter out microscopic particles.



Grout Hog®
Grout Delivery System
EZ GROUT CORPORATION

EZ Grout Corporation
405 Watertown Road
Waterford, Ohio 45786
(740) 749-3512 or 1-800-417-9272
Fax (740) 749-0602 www.ezgrout.com

Operating Instructions

1. Start engine (see Honda owner's manual page 15). Let engine run for 5 minutes and turn off.
2. Slide lift forks into lifting channels on Grout Hog® inserting skid pins into lift channels behind lift forks and securing with locking pins or use chain attachment or attach to crane using crane bail if equipped.
3. Set Grout Hog® securely on ground. Fill to desired capacity. Caution: check forklift or crane manufacturer's specifications to be sure forklift or crane is designed to handle weight of Grout Hog® and material in hopper.



Model	Empty Weight	Max Gross Weight
GPH75	1436lbs. (651.35 kg)	4436lbs. (2012.13 kg)
GPHC75	1525lbs. (691.72 kg)	4526lbs. (2052.50 kg)

Do not exceed Maximum Gross Weight

4. Transport Grout Hog® to desired location. Start engine, fully open throttle, and raise above grouting level.
5. Hold discharge hose over area to be grouted.
6. Push button on pendant for forward rotation of auger.
7. Discharge grout to desired areas until hopper is empty. (Repeat steps 3-7 as needed.)
8. To regulate grout flow, squeeze discharge hose; to momentarily stop grout flow, crimp or fold hose.
9. To stop flow for extended period, push reverse on pendant switch until valve closes then release button, and hang on hook provided.

NOTE:

In the unlikely event that the auger plugs, momentarily push the reverse button on pendant switch.

Obtaining Spare Parts

Spare parts for your **Grout Hog®** may be obtained by the following procedure:

1. Record the information from the serial number tag located on the lower left rear side of your **Grout Hog®**.
2. Using the parts reference table in this manual, record part number and component.
3. Contact your local **Grout Hog®** dealer or **EZ Grout Corporation** at 1-800-417-9272 with the information in Steps 1 and 2.

Cleanup

1. Set Grout Hog® securely on the ground. Turn off and remove ignition key. Remove skid pins or chains before backing away.
2. Remove end cap from auger tube.
3. Grasp auger handle firmly and pull auger straight out of tube.
4. Hose out and brush down hopper, then spray and brush auger until all excess grout is removed.
5. Flush discharge hose until clean.
6. Slide auger back in Grout Hog® so that it fits securely in place. Install the end cap back on tube.
7. Grease the fittings.

Maintenance

1. Make sure **Grout Hog®** is clean after each use (see "Cleanup").

2 Grease fittings before each use (#G62 on Parts list).

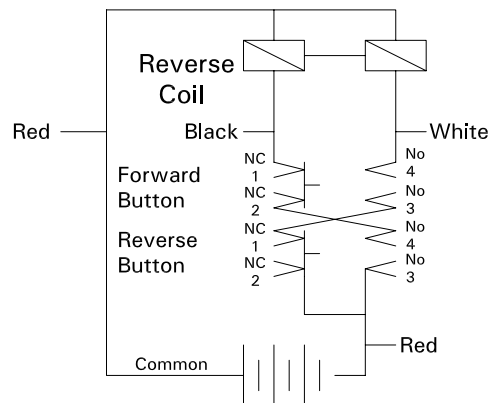
Use EPI Rated or equivalent grease.

NOTE: Following each use, it is a good idea to apply a thin layer or lubricant inside the hopper to make cleaning easier. **CAUTION:** Do not use so much lubricant that it might stain blockwork at beginning of next use. If equipped with crane bail inspect bail, fasteners, hopper, and base for cracked welds, loose bolts, and wear before each use. Repair or replace if needed.



Warning Decals - for your safety and the safety of others, replace any damaged or missing decals by contacting the manufacturer at 1-800-417-9272.

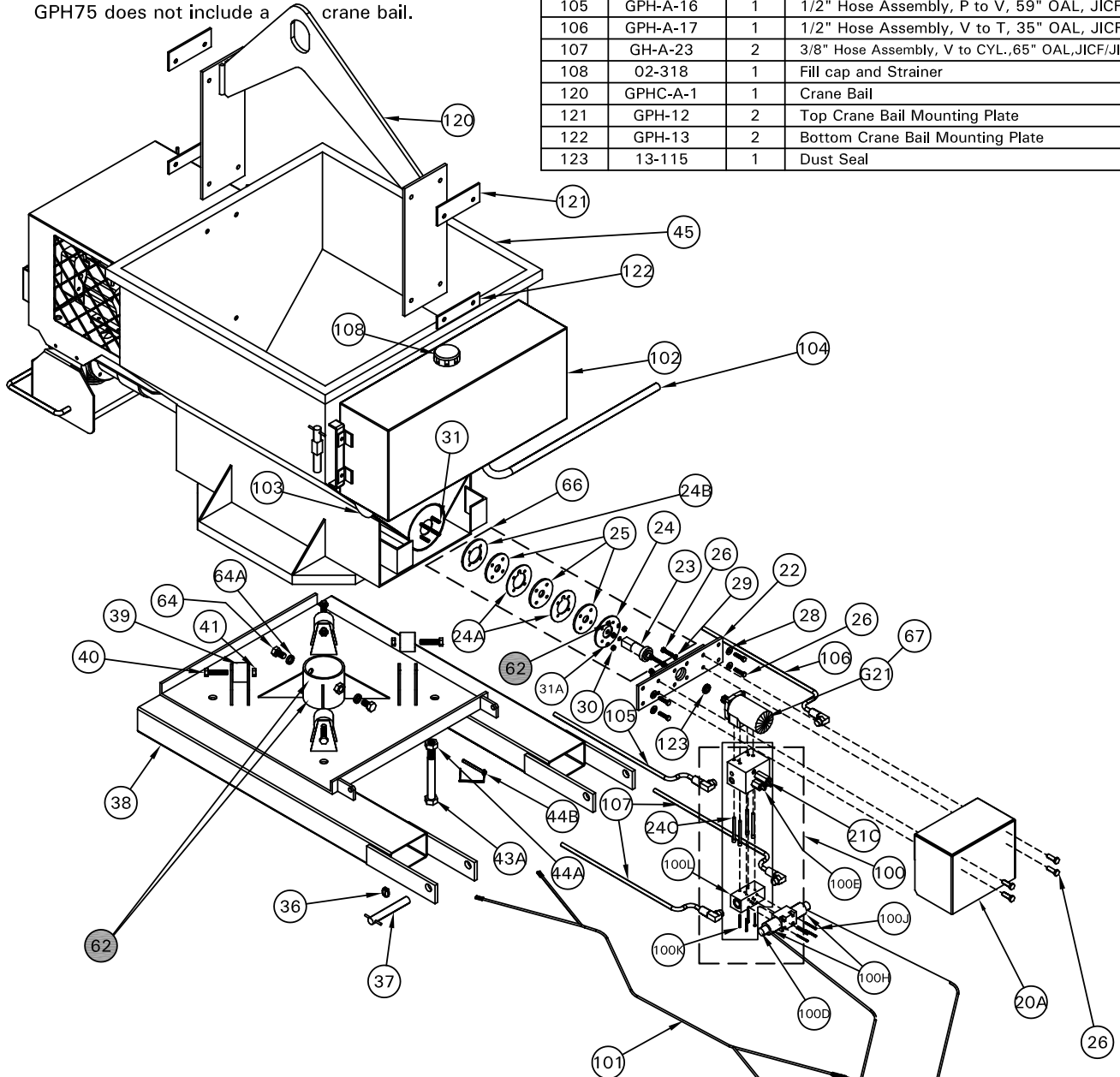
Electrical Diagram



ITEM	PART NUMBER	QTY	DESCRIPTION	ITEM	PART NUMBER	QTY	DESCRIPTION
20A	GH-A-11	1	Motor Guard	41	09-210	4	5/8" Nylon Locknut
G21	02-415	1	Hydraulic Motor	43A	09-327	1	1" x 8" Grade 8 Hex Bolt
21C	02-645	2	Sequence Valve Cartridge	44A	09-213	1	1" Locknut
22	GH-A-13	1	Motor Plate	44B	09-407	1	5/16" Latch Pin
23	GH-A-25	1	Power Shaft Connector	45	GH-A-7	1	Hopper
24	GH-18	1	Seal Support Ring	62	-	4	Grease Fitting
24A	GH-17	2	Spacer Ring	64	09-329	2	3/4" x 1 1/2" Hex Bolt
24B	GH-27	1	Inner Seal Support Ring	64A	09-113	2	3/4" Lock Washer
24C	09-348	4	5/16" Socket Head Cap Screw	66	GH-A-26	1	Rear Seal Kit (23,24,24A,25)
25	13-104	3	Rubber Seal	67	GH-A-28	1	Hydraulic Motor Seal Kit
26	09-308	20	3/8" x 1 1/2" Hex Bolt	100	-	1	Control Valve Complete (Includes (1) 02-645, (1) 02-625, (1) 02-609,(2) 02-633,(1) 02-608)
28	09-106	4	3/8" Flat Washer	100D	02-625	1	Argo Directional Valve
29	09-102	6	3/8" Lock Washer	100E	02-608	1	Sequence Valve Assembly
30	09-202	4	5/16" Lock Nut	100H	02-633	2	Argo Coil
31	09-305	4	5/16" x 2" Hex Bolt	100J	09-363	4	#10-24 x 1 3/4" Socket Head Cap Screw
31A	09-104	8	1/4" Flat Washer	100K	09-350	4	#10-24 x 3" Socket Head Cap Screw
36	09-400	6	Linch Pin	100L	02-609	1	Add on Block With Relief
37	GH-521	2	Skid Pin	101	GPH-A-25	1	Wiring Harness For Valves
38	GH-A-2	1	Skid Base	102	GPH-A-1	1	16 Gallon Hydraulic Tank
39	15-109	4	Support Cam Rollers	103	02-316	1	Hydraulic Filter
40	09-319	4	5/8" x 2 3/4" Hex Bolt	104	GPH-A-15	1	3/4" Hose Assembly, T to P, 69" OAL, JICF/NPTM

104	GPH-A-15	1	3/4" Hose Assembly, T to P, 69" OAL, JICF/NPTM
105	GPH-A-16	1	1/2" Hose Assembly, P to V, 59" OAL, JICF/JICF
106	GPH-A-17	1	1/2" Hose Assembly, V to T, 35" OAL, JICF/JICF
107	GH-A-23	2	3/8" Hose Assembly, V to CYL,.65" OAL,JICF/JICF 90°
108	02-318	1	Fill cap and Strainer
120	GPHC-A-1	1	Crane Bail
121	GPH-12	2	Top Crane Bail Mounting Plate
122	GPH-13	2	Bottom Crane Bail Mounting Plate
123	13-115	1	Dust Seal

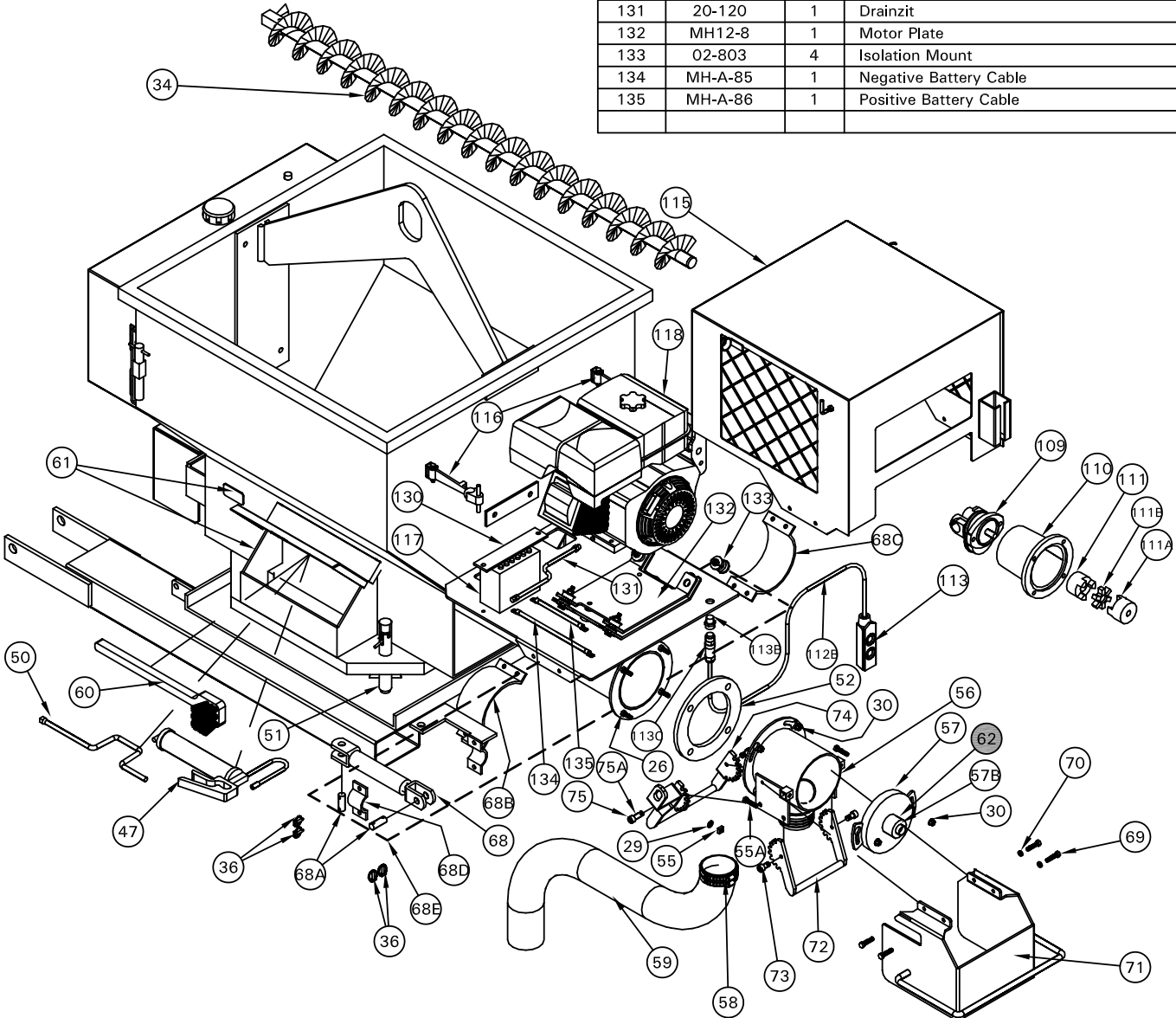
GPH75 includes a factory welded crane bail.
GPH75 does not include a crane bail.



GPH75 & GPHC75 GROUT HOG® - FRAME REAR

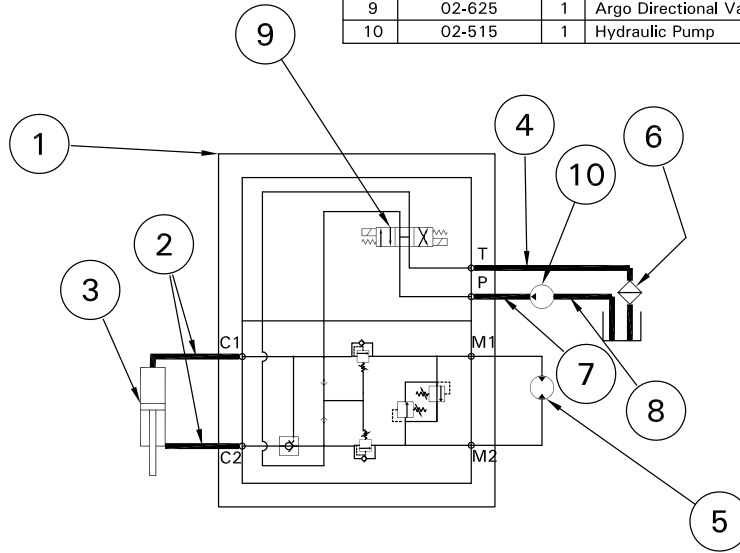
ITEM	PART NUMBER	QTY	DESCRIPTION	ITEM	PART NUMBER	QTY	DESCRIPTION
26	09-308	20	3/8" x 1 1/2" Hex Bolt	68C	SS-15	1	Snout Cylinder Mount Tube Clamp
29	09-102	6	3/8" Lock Washer	68D	SS-11	1	Snout Cylinder Mount Cylinder Clamp
30	09-214	6	3/8" Flange Nut	68E	GH-A-41	1	Snout Cylinder Mount Kit (68A,B,C,D)
34	GH-A-16	1	Auger	69	09-342	4	5/16" x 3/4" Hex Bolt
36	09-400	6	Linch Pin	70	09-101	4	5/16" Lock Washer
47	11-119	1	Grease Gun	71	GH-A-10	1	Snout Guard
50	GH-A-6	1	Speed Wrench	72	GH-A-42	1	Front Shut-Off Arm
51	GH-A-40	1	Swivel Locking Pin Assembly	73	09-334	3	1/2" x 1/2" Shoulder Bolt
52	13-101	1	6 5/8" ID Rubber Control Disc	74	GH-A-43	1	Rear Shut-Off Arm
55	09-206	2	3/8" Square Nut	75	09-349	1	1/2" x 1" Shoulder Bolt
56	GH-A-9	1	Removable Spout Housing	75A	09-119	4	Shim For Shoulder Bolt
57	GH-A-17	1	End Cap With Bushing	109	02-515	1	Hydraulic Pump
57B	15-100	1	Bushing Only	110	02-514	1	Pump Adapter
58	12-100	2	Discharge Hose Clamp	111	15-101	1	Pump Half Coupler
59	GH-A-27	1	Discharge Hose Assy. (Hose only 12-105)	111A	15-102	1	Motor Half Coupler
60	11-108	1	Cleaning Brush	111B	15-118	1	Coupling Spider
61	-	1	Serial Number Tag Location	112B	GPH-A-5	1	Coil Cord
62	-	4	Grease Fitting	113	03-100	1	Weatherhead Controller
68	02-703	1	Snout Cylinder	113B	GPH-A-23	1	Female Screw On Connector
68A	GH-535	2	Snout Cylinder Pins	113C	03-101	1	Male Screw On Connector
68B	GH-A-12	1	Snout Cylinder Mount	115	GPH-A-2	1	Engine Hood
				116	20-103	2	Hood Hold Down
				117	03-117	1	Battery
				118	14-103	1	Honda Engine
				130	MH-61	1	Battery Hold Down
				131	20-120	1	Drainzit
				132	MH12-8	1	Motor Plate
				133	02-803	4	Isolation Mount
				134	MH-A-85	1	Negative Battery Cable
				135	MH-A-86	1	Positive Battery Cable

GPH75 includes a factory welded crane bail.
GPH75 does not include a crane bail.



GPH75 & GPHC75 GROUT HOG® - FRAME FRONT

ITEM	PART MUMBER	QTY.	DESCRIPTION
1	-	1	Control Valve Complete
2	GH-A-23	2	3/8" Hose Assembly, V to CYL.,65" OAL,JICF/JICF 90°
3	O2-703	1	Snout Cylinder
4	GPH-A-17	1	1/2" Hose Assembly, V to T, 35" OAL, JICF/JICF
5	O2-415	1	Hydraulic Motor
6	O2-316	1	Hydraulic Filter
7	GPH-A-16	1	1/2" Hose Assembly, P to V, 59" OAL, JICF/JICF
8	GPH-A-15	1	3/4" Hose Assembly, T to P, 69" OAL, JICF/NPTM
9	O2-625	1	Argo Directional Valve
10	O2-515	1	Hydraulic Pump



GPH75 & GPHC75 GROUT HOG® - HYDRAULIC

Grout Hog Troubleshooting Guide

Symptom

Potenital Cause

Possible Solution

Auger will not turn

Low hydraulic fluid
 Hard concrete around auger
 Pendent or cord Damaged
 Blown fuse

Add hydraulic fluid
 Clean auger
 Inspect, replace if needed
 Replace fuse

Hopper unloading slowly

Wrong gasket in auger tube
 Auger worn
 Discharge hose kinked
 Discharge hose damaged
 Auger turning in reverse

Replace 4 1/4" I.D. Gasket with 6 5/8" I.D. Gasket
 Replace Auger
 Lift hopper to higher elevation
 Replace discharge hose
 Press other hold to run button on pendent

Grout continues to flow when auger is stopped

Valve not closing

Hold reverse button momentarily to close valve

Concrete leaking from back of machine

Continuous use with lack of grease

Change rubber seal and power shaft adapter

Hopper is difficult to swivel by pulling on discharge hose

Lack of grease
 Faulty support rollers

Grease spindle
 Replace support rollers

Note: To override pendant switch and unload hopper, push manual override button located under motor guard on back of machine.

Warning labels/location on Grout Hog machines



Amputation Label: located on back of hopper slightly left of center



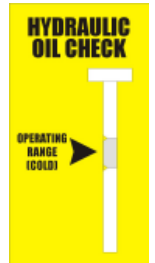
Heat Label: located on tank of gas powered units.



Pin Label: located on Fork Pockets



End Cap Label: located on discharge snout



Oil Label: located on tank of gas powered units.

Large Multi Warning Label: located on hopper back upper left

Warning

- 1) **Grout Hog®** is a material delivery system. Not intended for any other use.
- 2) Before using **Grout Hog®**: review the entire Owner's Manual.
- 3) Keep unauthorized and untrained personnel, especially children, away from **Grout Hog®**.
- 4) Consult forklift/crane manufacturer's specifications to insure load capacity is not exceeded.

Pins must be in place whenever **Grout Hog®** is on lift forks. Weight specifications are:

Model	Empty Weigh	Gross Weight
-------	-------------	--------------

- 5) Do not use as a lifting device.
- 6) Always wear hard-hat, eye protection, & heating protection while in use.
- 7) Never stand under or ride on **Grout Hog®**.
- 8) Never operate **Grout Hog®** under the influence of drugs or alcohol.
- 9) Never run machine with end cap removed.
- 10) Lock out power supply & allow system to cool before working on **Grout Hog®**.
- 11) Keep all body parts, solid objects, clothing, & jewelry away from all moving parts.
- 12) Only lift **Grout Hog®** from lifting channels or crane bail, Inspect daily all welds, fasteners, lifting bail, lifting point, & channels for cracks, excessive wear & distortions.

Attention

- 1) **Grout Hog®** should unload in less than three minutes (if run continuously). Please check quick connect couplings and refer to owner's manual.
- 2) Fittings must be greased before each use.
- 3) Auger must be removed for effective cleaning.
- 4) Use only factory authorized parts.

For Replacement Labels: Call 1-800-417-9272 or visit www.ezgrout.com



All EZ Grout Products are backed by our one-year warranty on parts and are now available for order by calling 1-800-417-9272 or visit us at www.ezgrout.com

EZ Grout Corporation is the exclusive manufacturer of the patented **Grout Hog®** Grout Delivery System the **Mud Hog®** Hydraulic Mixing Station, the **Hog Trough®** mud pan, the **Hog Cart™**, the **Hog Slopper™**, the **Booger Hog®** Wall Scrubber, and the **Hog Leg®** Wall Brace System.

Limited Warranty

The manufacturer warrants that products manufactured shall be free from defects in material and workmanship that develop under normal use for a period of one year on all products from the date of shipment. The foregoing shall be the exclusive remedy of the buyer and the exclusive liability of the manufacturer. Our warranty excludes normal replaceable wear items, i.e. gaskets, wear parts, seals, O-rings, belts, drive chains, clutches, etc. Any equipment, part or product which is furnished by the manufacturer but manufactured by another, bears only the warranty given by such other manufacturer. (Manufacturer agrees to furnish free of charge a written description of problem or cause.) Warranty is voided by product abuse, alterations, use of equipment in applications for which it was not intended, use of non-manufacturer parts, or failure to follow documented service instructions. The foregoing warranty is exclusive of all other warranties whether written or oral, expressed or implied. No warranty of merchantability or fitness for a particular purpose shall apply. The agents, dealers, and employees of Manufacturer are not authorized to make modifications to this warranty, or additional warranties binding on the Manufacturer. Therefore, additional statements, whether oral or written, do not constitute warranty and should not be relied upon.

The Manufacturer's sole responsibility for any breach of the foregoing warranty provisions, with respect to any product or part not conforming to the

Warranty or the description herein contained, is at its option (a) to repair, replace, or refund such product or parts upon the prepaid return thereof to location designated specifically by the Manufacturer. Product returns not shipped prepaid will be refused (b) as an alternative to the foregoing modes of settlement the Manufacturer's dealer may repair defective units with reimbursement for expenses. A written description of problem or cause must accompany all warranty claims.

Except as set forth here in above and without limitation of the above, there are no warranties or other affirmation which extend beyond the description of the products on the fact here of, or as to operational efficiency, product reliability, or maintainability or compatibility with products furnished by others. In no event, whether as a result of breach of contract or warranty or alleged negligence, shall the Manufacturer, be liable for special or consequential damages including but not limited to: Loss of profits or revenue, loss of use of the product or any associated product, cost of capital, cost of substitute products, facilities or services or claims of customers. Manufacturer does not assume responsibility for any accident due to equipment modification.

No claim will be allowed for products lost or damaged in transit. Such claims should be filed with the carrier within fifteen days.

Effective July 20, 2005





Vigente a partir del 20 de julio de 2005

No se aceptará ningún reclamo por productos extrañados o dañados en tránsito. Tales reclamamos se deberán presentar ante el transportista dentro de un plazo de quince días.

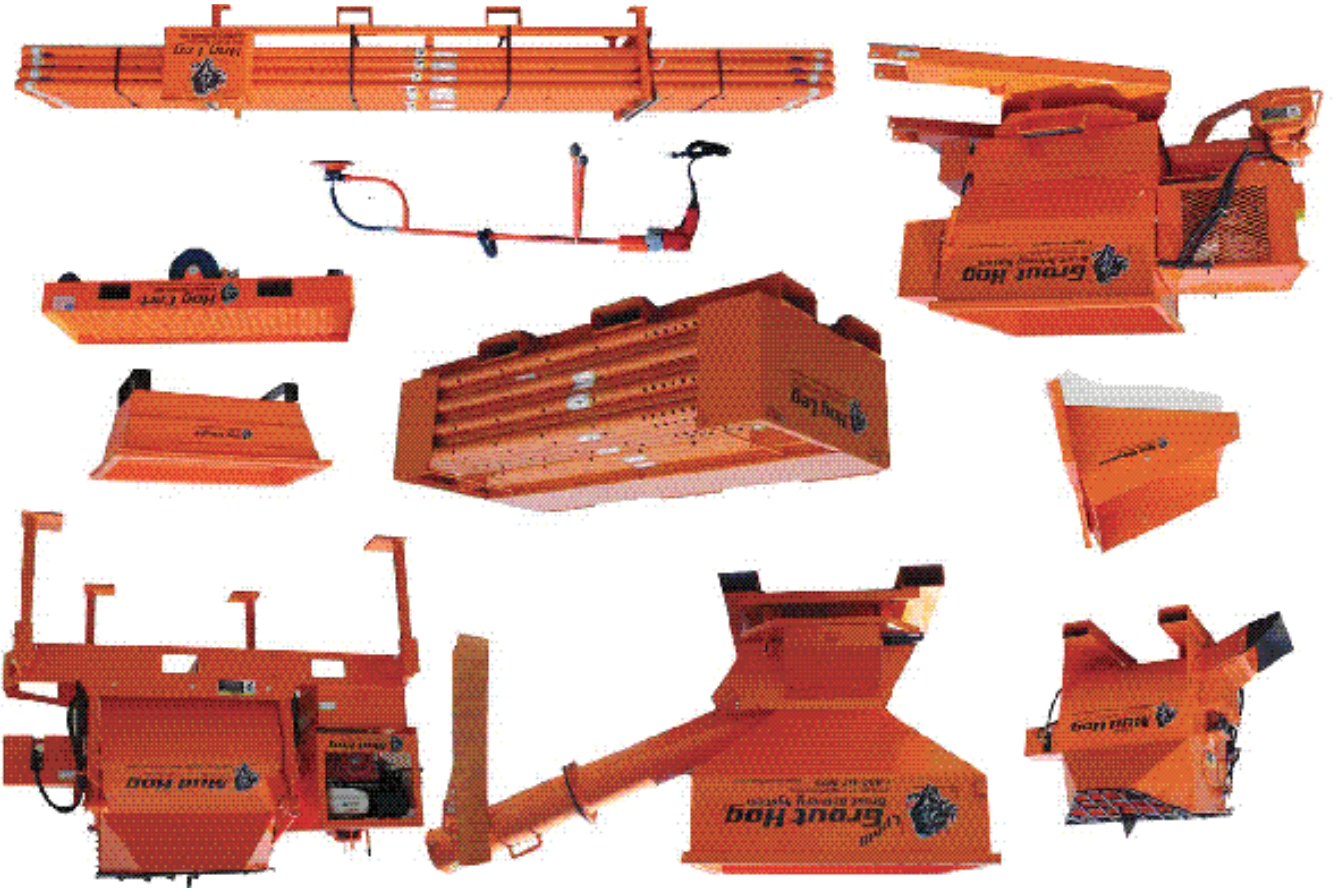
Excepto por las disposiciones estipuladas anteriormente y sin limitarse a las mismas, no habrá otras garantías o compromisos con alcance mayor que el de la descripción de los productos incluida en la presente, ni con respecto al funcionamiento eficaz, confiabilidad o mantenimiento del producto ni compatibilidad con productos suministrados por otros fabricantes. En ningún caso, ya sea como resultado de un incumplimiento del contrato o de la garantía o por supuesta negligencia, el fabricante será responsable de daños especiales o indirectos, que incluyen pero no se limitan a: lucro cesante o pérdida de ingresos, inutilización del producto o cualquier producto asociado, costo de producto de reemplazo, instalaciones, modificaciones o servicios o reclamaciones de clientes. El fabricante no asume ninguna responsabilidad por accidentes debidos a modificaciones al equipo.

El precio de dicho producto o pieza una vez que sea devuelto - porte prepago - al lugar designado específicamente por el fabricante. El producto devuelto sin porte prepago será rechazado y (b) como alternativa a las anteriores modalidades de acuerdo, el distribuidor del fabricante puede reparar las unidades defectuosas con reembolso por los gastos. Todos los reclamos cubiertos por la garantía deberán incluir una descripción por escrito de la falla o la causa.

Garantía limitada

EZ GROUT Corporation es el fabricante exclusivo de los productos patentados **GROUT HOG®** GROUT Delivery System, **MUD HOG®** Hydraulic Mixing Station, **HOG TROUGH™** Mud Pan, **HOG CART™**, **HOG SLOPPER™**, **BOOGER HOG™** Wall Scrubber y **HOG LEG®** Wall Brace System.

Todos los productos EZ GROUT cuentan con garantía de un año en las piezas y se pueden pedir llamando al 1-800-417-9272 o visitando la página www.ezgrout.com.



El fabricante garantiza que sus productos estarán libres de defectos en los materiales y en la mano de obra bajo condiciones de uso normal durante un lapso de un año contado a partir de la fecha de envío. Lo anterior será el recurso exclusivo del comprador y la responsabilidad exclusiva del fabricante. Nuestra garantía excluye las piezas reemplazables por desgaste común, como las juntas, piezas de contacto, sellos, juntas tóricas, correas, cadenas de mando, embraques, etc. Cualquier aparato, pieza o producto suministrado por el fabricante que sea fabricado por un tercero esta cubierto solo por la garantía otorgada por dicho fabricante. (El fabricante acuerda proporcionar, sin costo alguno, una descripción por escrito del problema o causa). La garantía quedará sin efecto en caso de que el equipo sea objeto de maltrato, alteraciones, uso indebido en aplicaciones para las que no este diseñado, uso de piezas distintas a las indicadas por el fabricante o incumplimiento de las instrucciones indicadas en la documentación para el mantenimiento. Esta garantía excluye todas las demás garantías, sean escritas o verbales, expresas o implícitas. No tendrá validez ninguna garantía de comercialización o idoneidad para un propósito específico. Los agentes, distribuidores y empleados del fabricante no están autorizados para modificar esta garantía, ni ninguna otra garantía que oblige al fabricante. Por tanto, cualquier declaración adicional, sea escrita o verbal, no constituye garantía alguna y no debe considerarse como tal.

En caso de incumplimiento de las disposiciones de esta garantía, en lo que respecta a cualquier producto o pieza que no cumpla con la garantía o la descripción incluida en la presente, el fabricante tendrá como única responsabilidad la opción de (a) reparar, reemplazar

Para obtener etiquetas de reemplazo: Llame al 1-800-417-9272 o vaya a la página www.ezgrot.com

- 1) La máquina **Grot Hog®** debe descargar en menos de tres minutos (si funciona de manera continua).
- 2) Si vase revisar los acoples de conexión rápida y consulte el manual del propietario.
- 3) Los adaptadores deben engrasarse antes de cada uso.
- 4) La barrena se debe eliminar para realizar la limpieza de manera efectiva.
- 5) Utilice sólo piezas autorizadas por el fabricante.

Atención

- 5) No utilice la máquina como un aparato de elevación.
- 6) Utilice siempre un casco, protección para los ojos y oídos mientras utiliza la máquina.
- 7) Nunca se coloque debajo o se desplace montado en la máquina **Grot Hog®**.
- 8) Nunca trabaje con la máquina **Grot Hog®** mientras usted esté bajo los efectos del alcohol o las drogas.
- 9) Nunca haga funcionar la máquina sin el tapón terminal.
- 10) Desconecte el suministro de energía y deje que el sistema se enfríe antes de trabajar en la máquina **Grot Hog®**.
- 11) Mantenga alejadas todas las partes del cuerpo, objetos sólidos, prendas de vestir o joyas de las piezas en movimiento de la máquina.
- 12) Sólo levante la máquina **Grot Hog®** por los canales de elevación o el gancho de la grúa. Asegúrese diaramente de que no haya grietas, desgaste excesivo o distorsiones en las soldaduras, abrazaderas, ganchos de elevación, punto de elevación y los canales.

- | | Modelo | Máquina vacía | Peso bruto |
|----|---|---------------|------------|
| 1) | Grot Hog® es un sistema de descarga de material. No está diseñado para ningún otro uso. | | |
| 2) | Antes de usar la máquina Grot Hog® : repase todo el manual del propietario. | | |
| 3) | Mantenga a todo el personal no capacitado y a las personas no autorizadas, especialmente a los niños, alejados de la máquina Grot Hog® . | | |
| 4) | Consulte las especificaciones del fabricante de horquilla o de la grúa para asegurarse de no exceder la capacidad de carga. Las clavijas deben estar en su sitio cuando la máquina Grot Hog® se encuentre en las horquillas del montacargas. Las especificaciones de peso son: | | |

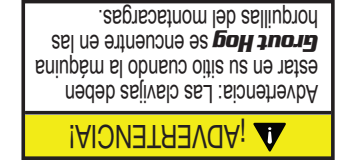
Advertencia

Etiqueta grande con varias advertencias: ubicada en la parte posterior de la tolva, en lado superior izquierdo

Etiqueta de amputación: ubicada en la parte posterior de la tolva, un poco a la izquierda del centro



Etiqueta de clavija: ubicada en los compartimiento de las horquillas



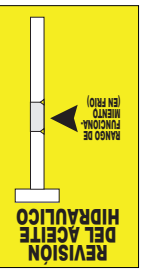
Etiqueta de calor: ubicada en el tanque de las unidades a gasolina



Etiqueta del tapón terminal: ubicada en la boquilla de descarga



Etiqueta de aceite: ubicada en el tanque de gasolina



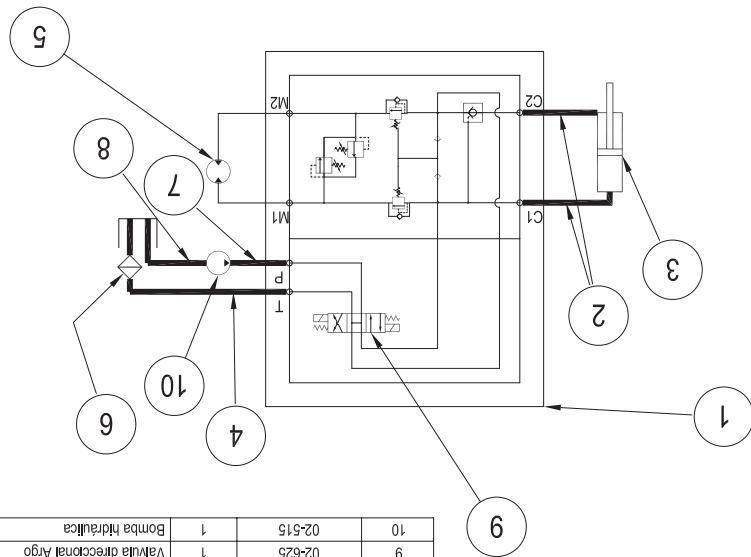
Etiquetas de advertencia/ubicación en las máquinas Grot Hog

Nota: Para neutralizar el interruptor colgante y descargar la tolva, presione el botón de sobremando manual que se encuentra debajo del protector del motor, en la parte posterior de la máquina.

Problema	Possible causa	Possible solución
La tolva descarga lentamente	El tubo de la barrena tiene una junta incorrecta	Cambie la junta de 4 1/4 pulg de DI por una de 6 5/8 de pulg de DI
La barrena está desgastada	La barrena está doblada	Cambie la barrena
La manguera de descarga está doblada	La manguera de descarga está dañada	Coloque la tolva en una posición más elevada
La manguera de descarga está dañada	La manguera de descarga está dañada	Cambie la manguera de descarga
La barrena está girando hacia atrás	La barrena está girando hacia atrás	Presione el otro botón de arranque remoto en el interruptor colgante
La válvula no cierra	La válvula no cierra	Mantenga presionado el botón de retroceso momentáneamente para cerrar la válvula
Salte hormigón de la parte posterior de la máquina	Uso prolongado con insuficiente lubricación	Cambie el sello de goma y el adaptador del eje de potencia
Es difícil hacer girar la tolva	Falta de lubricación	Engrase el eje
tirando de la manguera de descarga	Rodillos de soporte defectuosos	Cambie los rodillos de soporte
La barrena no gira	Poco fluido hidráulico	Agregue fluido hidráulico
	Hay hormigón endurecido alrededor de la barrena	Limpie la barrena
	Daños en el interruptor colgante o en el cable	Inspeccione y cambie si es necesario
	Fusible fundido	Cambie el fusible

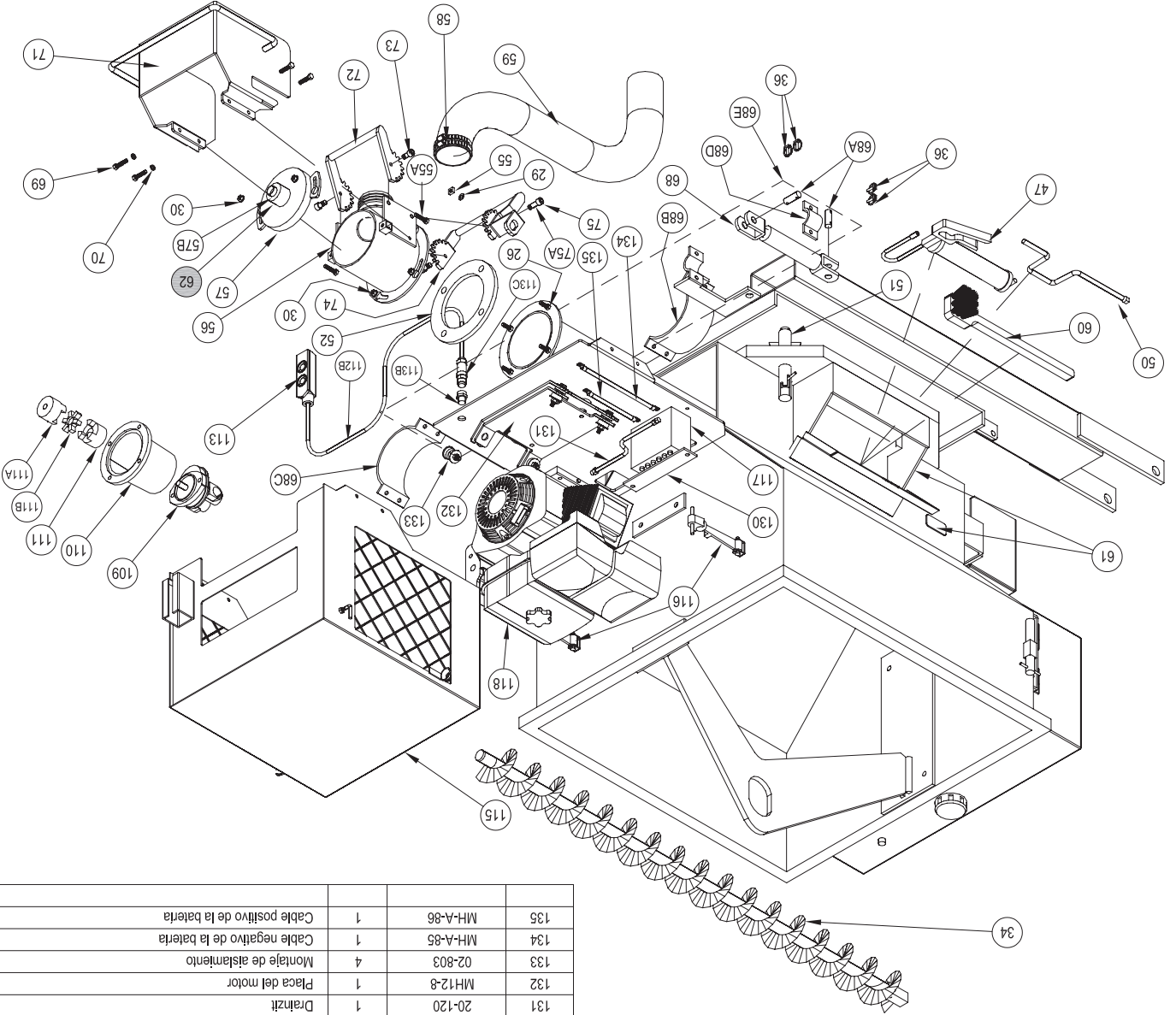
Guía para la solución de problemas de la máquina GROUT HOG®

GROUT HOG® GPH75 Y GPHC75 - COMPONENTES HIDRÁULICOS



ELEMENTO	NÚMERO DE PIEZA	CANTIDAD	DESCRIPCIÓN
1	-	1	Válvula de control completa
2	GH-A-23	2	Ensamblado de manguera de 3/8 de pulg., V a CL, OAL de 65 pulg., JICF/JICF 90°
3	02-703	1	Cilindro de boquilla
4	GPH-A-17	1	Ensamblado de manguera de 1/2 pulg., V a T, OAL de 35 pulg., JICF/JICF
5	02-415	1	Motor hidráulico
6	02-316	1	Filtro hidráulico
7	GPH-A-16	1	Ensamblado de manguera de 1/2 pulg., P a V, OAL de 59 pulg., JICF/JICF
8	GPH-A-15	1	Ensamblado de manguera de 1/2 pulg., T a P, OAL de 69 pulg., JICF/NPTM
9	02-625	1	Válvula direccional Argo
10	02-515	1	Bomba hidráulica

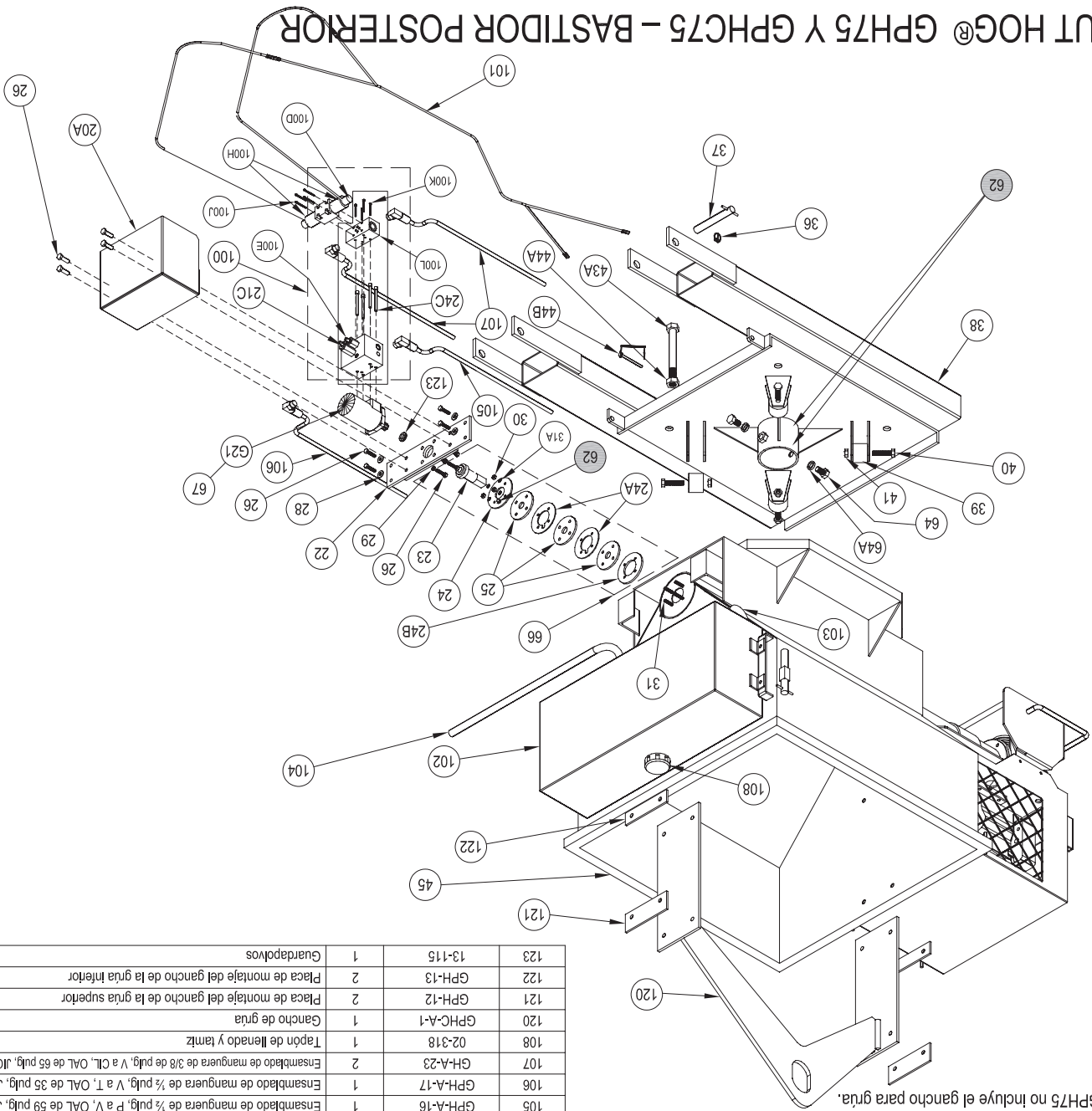
GROUT HOG® GPH75 y GPHC75 - BASTIDOR FRONTAL



El modelo GPH75 trae un gancho para grúa soldado en fábrica. El modelo GPHC75 no incluye el gancho para grúa.

ELEMENTO	NÚMERO DE PIEZA	DESCRIPCIÓN	CANTIDAD
26	09-308	Perno de cabeza hexagonal de 3/8 de pulg x 1 1/2 pulg	20
29	09-102	Arandela de presión de 3/8 de pulg	6
30	09-214	Tuerca de brida de 3/8 de pulg	6
34	GH-A-16	Barrena	1
36	09-400	Pasador con anillo abatible	6
47	11-119	Pistola engrasadora	1
50	GH-A-6	Llave de velocidad	1
51	GH-A-40	Ensamblado de la clavija giratoria de bloqueo	1
52	13-101	Disco regulador de goma, DI de 6 5/8 de pulg	1
55	09-206	Tuerca cuadrada de 3/8 de pulg	2
56	GH-A-9	Estructura exterior removible de la boquilla	1
57	GH-A-17	Tapón terminal con casquillo	1
57B	15-100	Casquillo solamente	1
58	GH-A-27	Ensamblado de la manguera de descarga	2
59	12-100	Abrazadera de la manguera de descarga (Manguera solamente 12-105)	1
60	11-108	Cepillo limpiador	1
61	-	Ubicación de la etiqueta del número de serie	1
62	-	Adaptador de engrase	4
68	02-703	Cilindro de boquilla	1
68A	GH-535	Clavijas del cilindro de boquilla	2
68B	GH-A-12	Montaje del cilindro de boquilla	1
68C	SS-15	Abrazadera del tubo de montaje del cilindro de boquilla	1
68D	SS-11	Abrazadera del cilindro de montaje del cilindro de boquilla	1
68E	GH-A-41	Juego de montaje del cilindro de boquilla (68, A, B, C, D)	1
69	09-342	Perno hexagonal de 5/16 x 3/4 de pulg	4
70	09-101	Arandela de presión de 5/16 de pulg	4
71	GH-A-10	Protector de boquilla	1
72	GH-A-42	Brazo frontal de apagado	1
73	09-334	Perno con reborde de 1/2 x 1/2 pulg	3
74	GH-A-43	Brazo posterior de apagado	1
75	09-349	Perno con reborde de 1/2 x 1 pulg	1
76	09-119	Cuña para perno de reborde	4
109	02-515	Bomba hidráulica	1
110	02-514	Adaptador de la bomba	1
111	15-101	Semiacoplamiento de la bomba	1
111A	15-102	Semiacoplamiento del motor	1
111B	15-118	Araña de acople	1
112B	GH-A-5	Cable de la bobina	1
113	03-100	Controlador Weatherhead	1
113B	GH-A-23	Conector de atornillado hembra	1
113C	03-101	Conector de atornillado macho	1
115	GH-A-2	Capó del motor	1
116	20-103	Pieza de sujeción del capó	2
117	03-117	Batería	1
118	14-103	Motor Honda	1
130	MH-61	Pieza de sujeción de la batería	1
131	20-120	Drahtzi	1
132	MH12-8	Placa del motor	1
133	02-803	Montaje de aislamiento	4
134	MH-A-85	Cable negativo de la batería	1
135	MH-A-86	Cable positivo de la batería	1

GROUT HOG® GPH75 y GPHC75 - BASTIDOR POSTERIOR



El modelo GPHC75 trae un gancho para grúa soldado en fábrica. El modelo GPH75 no incluye el gancho para grúa.

ELEMENTO	NÚMERO DE PIEZA	DESCRIPCIÓN	CANTIDAD
20A	GH-A-11	Protector del motor	1
G21	02-415	Motor hidráulico	1
21C	02-645	Cartucho de la válvula de secuencia	2
22	GH-A-13	Placa del motor	1
23	GH-A-25	Conector del eje de potencia	1
24	GH-18	Anillo de soporte del sello	1
24A	GH-17	Anillo separador	2
24B	GH-27	Anillo de soporte del sello interno	1
24C	09-348	Tornillo de cabeza hueca de 5/16 de pulg	4
25	13-104	Sello de goma	3
26	09-308	Fermo de cabeza hexagonal de 3/8 de pulg x 1 1/2 pulg	20
28	09-106	Arandela plana de 3/8 de pulg	4
29	09-102	Arandela de presión de 3/8 de pulg	6
30	09-202	Contratuercas de 5/16 de pulg	4
31	09-305	Fermo hexagonal de 5/16 de pulg x 2 pulg	4
31A	09-104	Arandela plana de 1/4 de pulg	8
36	09-400	Pasador con anillo abatible	6
37	GH-521	Clavija deslizante	2
38	GH-A-2	Base deslizante	1
39	15-109	Rodillos de leva de soporte	4
40	09-319	Fermo de cabeza hexagonal de 5/8 de pulg x 2 3/4 de pulg	4
100D	02-625	Válvula direccional Argo	1
100C	02-608	Conjunto de la válvula de secuencia	1
100B	02-633	Bobina Argo	2
100A	09-363	Tornillo de cabeza hueca N° 10-24 x 3/4 pulg	4
100	09-350	Tornillo de cabeza hueca N° 10-24 x 3 pulg	4
100L	02-609	Bloque adicional con aliviadero	1
101	GH-A-25	Arnés de cableado para válvulas	1
102	GH-A-1	Tanque hidráulico de 60,57 litros (16 galones)	1
103	02-316	Filtro hidráulico	1
104	GH-A-15	Ensamblado de manguera de 3/4 de pulg. T a P, OAL de 69 pulg. JICF/NPTM	1
105	GH-A-16	Ensamblado de manguera de 1/2 pulg. P a V, OAL de 59 pulg. JICF/JICF	1
106	GH-A-17	Ensamblado de manguera de 1/2 pulg. V a T, OAL de 35 pulg. JICF/JICF	1
107	GH-A-23	Ensamblado de manguera de 3/8 de pulg. V a CIL, OAL de 65 pulg. JICF/JICF 90°	2
108	02-318	Tapón de llenado y lambré	1
120	GH-C-A-1	Gancho de grúa	1
121	GH-P-12	Placa de montaje del gancho de la grúa superior	2
122	GH-P-13	Placa de montaje del gancho de la grúa inferior	2
123	13-115	Guardaplvos	1
100	-	Válvula de control completa (incluye (1) 02-645, (1) 02-625, (1) 02-609, (2) 02-633, (1) 02-608)	1
67	GH-A-28	Juego de sellos del motor hidráulico	1
66	GH-A-26	Juego de sellos posteriores (23, 24, 24A, 25)	1
64A	09-113	Arandela de presión de 3/4 de pulg	2
64	09-329	Fermo de cabeza hexagonal de 3/4 de pulg x 1 1/2 pulg	2
62	-	Adaptador de engrase	4
45	GH-A-7	Tolva	1
44B	09-407	Pasador con anillo abatible de 5/16 de pulg	1
44A	09-213	Contratuercas de 1 pulg	1
43A	09-327	Fermo hexagonal de 1 x 8 pulg grado 8	1
41	09-210	Contratuercas de 5/8 de pulg de nylon	4

Instrucciones de funcionamiento

1. Encienda el motor (consulte el manual del propietario de Honda, página 15). Déjelo encendido durante 5 minutos y luego apáguelo.
2. Deslice las horquillas del montacargas dentro de los canales de elevación de la máquina **Grot Hog®**. Introduzca las clavijas deslizantes dentro de los canales de elevación, detrás de las horquillas y asegúrelas con clavijas de bloqueo o con amarres de cadenas o asegúrelas en la grúa, utilizando el gancho de ésta, si viene incluido.
3. Coloque la máquina **Grot Hog®** de modo que quede firme en el suelo. Llenela hasta la capacidad deseada. Precaución: consulte las especificaciones del fabricante de que el equipo esté diseñado para soportar el peso de la máquina **Grot Hog®** y el material contenido en la tolva.

Modelo	Peso en vacío	Peso bruto máximo
GPH75	651,35 kg (1436 lb)	2012,13 kg (4436 lb)
GPHC75	691,72 kg (1525 lb)	2052,50 kg (4526 lb)

No debe excederse el peso bruto máximo

4. Transporte la máquina **Grot Hog®** hasta el lugar deseado. Encienda el motor, abra al máximo el regulador y levante la máquina por encima del nivel de inyección de la lechada.
5. Sujete la manguera de descarga sobre el área de inyección de la lechada.
6. Presione el botón en el interruptor coligante para hacer rotar la barra hacia delante.
7. Descargue la lechada en las áreas deseadas hasta vaciar por completo la tolva. (Si es necesario, repita los pasos 3 al 7).
8. Para regular el flujo de la lechada, apriete la manguera de descarga; para detener momentáneamente el flujo de la lechada, doble o pliegue la manguera.
9. Para detener el flujo de la lechada durante un tiempo prolongado, presione el botón de retroceso en el interruptor coligante hasta que la válvula cierre, luego libere el botón y cuegue la manguera en el gancho provisto para tal fin.

NOTA:

En el caso poco probable de que la barra se obstruya, presione momentáneamente el botón de retroceso que se encuentra en el interruptor coligante.

Obtención de repuestos

Para obtener repuestos para su **Grot Hog®**, debe seguir este procedimiento:

1. Copie la información que aparece en la etiqueta con el número de serie que se encuentra en el lado inferior izquierdo de la parte posterior de su máquina **Grot Hog®**.
2. Con la ayuda de la tabla de referencia de piezas incluida en este manual, identifique el número de pieza y el componente.
3. Comuníquese con el distribuidor local de **Grot Hog®** o con **EZ Grot Corporation** llamando al 1-800-417-9272 (en EE.UU.) e indique la información obtenida en los pasos 1 y 2.

Limpieza

1. Coloque la máquina **Grot Hog®** firmemente en el suelo. Apáguela y saque la llave del encendido. Retire las clavijas deslizantes o las cadenas antes de retroceder.
2. Quite el tapón terminal del tubo de la barra.
3. Sujete el asa de la barra firmemente y tire de ella hasta sacarla del tubo.
4. Limpie la tolva con chorro de manguera y cepillo, luego rocíe y cepille la barra hasta eliminar todo el exceso de lechada.
5. Enjuague la manguera de descarga hasta que quede limpia.
6. Deslice nuevamente la barra dentro de la máquina **Grot Hog®** hasta que calce de manera segura en su lugar. Vuelva a colocar el tapón terminal de nuevo en el tubo.
7. Engrase los adaptadores.

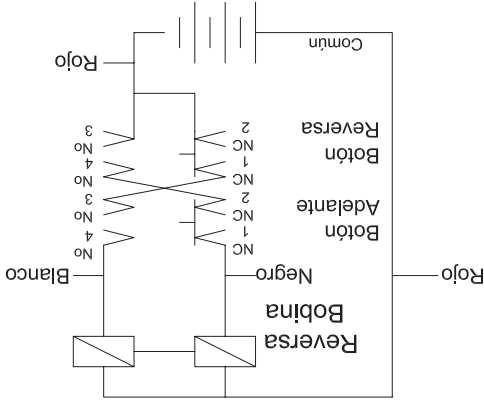
Mantenimiento

1. Asegúrese de limpiar la máquina **Grot Hog®** después de cada uso (vea la sección "Limpieza").
 2. Engrase los adaptadores antes de cada uso (identificados con el N° G62 en la lista de piezas).
 3. Utilice grasa tipo EPI o su equivalente.
- NOTA: Después de cada uso, se recomienda aplicar una capa delgada de lubricante en el interior de la tolva para facilitar su limpieza. PRECAUCIÓN: No aplique demasiado lubricante para evitar que se manche el material de trabajo la próxima vez que utilice la máquina. Si está equipado con un gancho para inspeccionar el gancho, los sujetadores, la tolva y la base para ver si hay puntos de soldadura fisurados, pernos sueltos y desgaste antes de cada uso. Repare o cambie si es necesario.



Etiquetas de advertencia: por su seguridad y la de los demás, sustituya cualquier etiqueta dañada o faltante; para obtener nuevas etiquetas, comuníquese con el fabricante llamando al 1-800-417-9272 (en EE.UU.).

Esquema eléctrico



Esquema eléctrico

GPH75 y GPHC Grot Hog®

Manual del propietario

Lea detenidamente el manual del propietario antes de usar la máquina Grot Hog®.

Número de serie: _____

ADVERTENCIAS

1. **Grot Hog®** es un sistema de descarga de material y no está diseñado para ningún otro uso.

2. Asegúrese de que cualquier persona que maneje la máquina **Grot Hog®** conozca bien su funcionamiento. Mantenga a todo el personal no capacitado y a las personas no autorizadas, especialmente los niños, alejados de la máquina **Grot Hog®**.

3. Consulte las especificaciones del fabricante del montacargas de horquilla o de la grúa para asegurarse de no exceder la capacidad máxima de carga.

Modelo	Peso en vacío	Peso bruto máximo
GPH75	651,35 kg (1436 lb)	2012,13 kg (4436 lb)
GPHC75	691,72 kg (1525 lb)	2052,50 kg (4526 lb)

No debe excederse el peso bruto máximo

4. Siempre use clavijas deslizantes y pasadores con anillo abtable o cadenas de seguridad cada vez que la máquina **Grot Hog®** esté montada sobre un montacargas de horquilla.

5. Nunca haga funcionar la máquina sin el tapón terminal.

6. Manténgase alejado de la barrena cuando la máquina esté funcionando. Mantenga alejadas todas las partes del cuerpo, objetos sólidos, prendas de vestir o joyas de las piezas en movimiento de la máquina.

7. Nunca realice ningún trabajo de mantenimiento en la máquina **Grot Hog®** mientras esté funcionando. Antes de trabajar en la máquina **Grot Hog®**, apague el motor y desconecte la batería para evitar que la máquina arranque accidentalmente.

8. Nunca se coloque debajo de la máquina **Grot Hog®** cuando esté elevada.

9. Evite el contacto con el fluido hidráulico caliente. Deje enfriar el sistema antes de realizar cualquier reparación o tarea de mantenimiento, tal como añadir combustible o aceite.

10. Nunca se desplace montado sobre la máquina **Grot Hog®**.

11. Nunca trabaje con la máquina **Grot Hog®** mientras usted esté bajo los efectos del alcohol, drogas o medicamentos.

12. Solo utilice piezas autorizadas por el fabricante.

13. Antes de cada uso, asegúrese de que NINGUNA manguera tenga muecas, cortes ni esté dañada. Cambie las que estén dañadas.

14. Levante la máquina **Grot Hog®** sólo por los canales de elevación o el gancho de la grúa, si viene incluido.

15. Siempre utilice gafas de seguridad aprobadas, protectores para los oídos (112 dBA) y cascos de seguridad para hacer funcionar o realizar tareas de mantenimiento en la máquina **Grot Hog®**.

16. La máquina **Grot Hog®** está diseñada para funcionar con un control de arranque remoto supervisado. Para un uso distinto a éste, comuníquese con **EZ Grot Corporation** a fin de obtener una rejilla opcional que cubra la tolva.

17. No utilice la máquina **Grot Hog®** como un aparato de elevación.

18. El desecho de lubricantes usados o materiales tóxicos debe cumplir con todos los reglamentos gubernamentales.

El escape del motor y algunos de sus componentes, además de algunas partículas de polvo generadas al ligar, serruchar, esmerilar, taladrar mecánicamente y durante otras actividades de la construcción, contienen productos químicos que en el estado de California se ha determinado producen cáncer, malformaciones congénitas y otras lesiones en el aparato reproductivo. Algunos de estos químicos son:

plomo contenido en las pinturas con base de plomo - sílice cristalino de los ladrillos - cemento y otros productos de albañilería - arsénico y cromo de madera con tratamiento químico.

El riesgo debido a la exposición a estos productos químicos varía según la frecuencia de realización de este tipo de trabajo. Para reducir el riesgo de exposición a estos productos químicos: SIEMPRE trabaje en un sitio bien ventilado y usando los equipos de seguridad aprobados, tales como máscaras para el polvo diseñadas específicamente para filtrar las partículas microscópicas.

Advertencia: California – Advertencia de propuesta 65



EZ Grot Corporation
405 Watertown Road
Watertown, Ohio 45786
Teléfono: (740) 749-3512 ó 1-800-417-9272
Fax: (740) 749-0602
www.ezgrout.com