



SPARE PARTS LIST

LIGHT COMPACTION

LF 75 /LF 75 LAT, 967854901,
967854902, 967896701, 967896702,
2019-06

Go to Discount-Equipment.com to order your parts



PARTS FINDER

**Search Website
by Part Number**



**Search Manual
Library For Parts
Manual & Lookup Part
Numbers – Purchase
or Request Quote**

Search Manuals

Enter your information to help us find the right parts manual for your machine.

* Brand:

* Model:

* Serial:

* Part Number:

SEARCH

**Can't Find Part or
Manual? Request Help
by Manufacturer,
Model & Description**

Parts Order Form

Please fill in the following information to help us find the right part for your machine.

Manufacturer:	<input type="text"/>
Model:	<input type="text"/>
Description:	<input type="text"/>
Part Number:	<input type="text"/>
Quantity:	<input type="text"/>
Notes:	<input type="text"/>

Submit

Discount-Equipment.com is your online resource for quality parts & equipment.

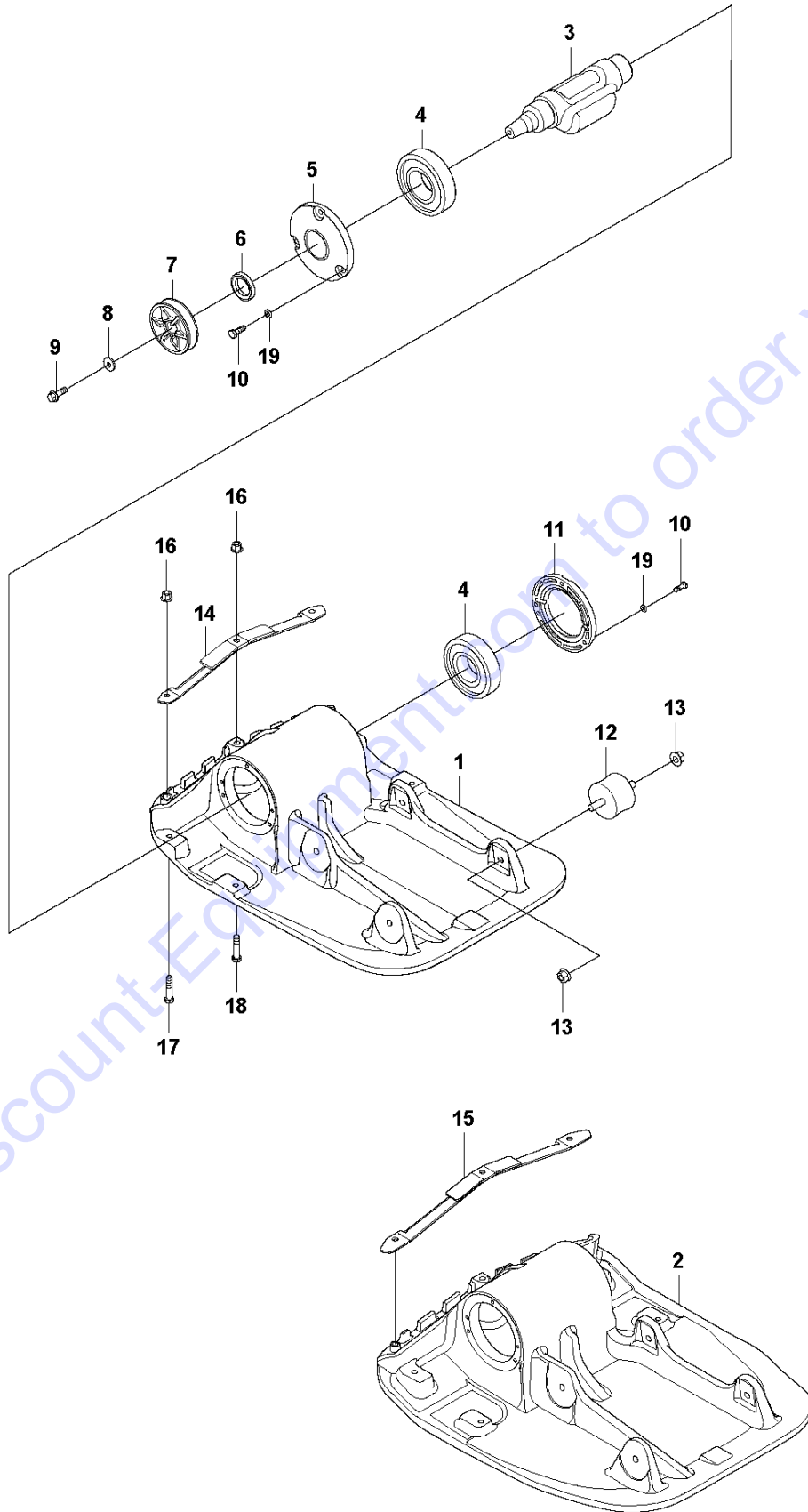
Florida: **561-964-4949** Outside Florida TOLL FREE: **877-690-3101**

Need parts?

Click on this link: <http://www.discount-equipment.com/category/5443-parts/> and choose one of the options to help get the right parts and equipment you are looking for. Please have the machine model and serial number available in order to help us get you the correct parts. If you don't find the part on the website or on one of the online manuals, please fill out the request form and one of our experienced staff members will get back to you with a quote for the right part that your machine needs.

We sell worldwide for the brands: Genie, Terex, JLG, MultiQuip, Mikasa, Essick, Whiteman, Mayco, Toro Stone, Diamond Products, Generac Magnum, Airman, Haulotte, Barreto, Power Blanket, Nifty Lift, Atlas Copco, Chicago Pneumatic, Allmand, Miller Curber, Skyjack, Lull, Skytrak, Tsurumi, Husquvarna Target, Stow, Wacker, Sakai, Mi-T-M, Sullair, Basic, Dynapac, MBW, Weber, Bartell, Bennar Newman, Haulotte, Ditch Runner, Menegotti, Morrison, Contec, Buddy, Crown, Edco, Wyco, Bomag, Laymor, EZ Trench, Bil-Jax, F.S. Curtis, Gehl Pavers, Heli, Honda, ICS/PowerGrit, IHI, Partner, Imer, Clipper, MMD, Koshin, Rice, CH&E, General Equipment, Amida, Coleman, NAC, Gradall, Square Shooter, Kent, Stanley, Tamco, Toku, Hatz, Kohler, Robin, Wisconsin, Northrock, Oztec, Toker TK, Rol-Air, APT, Wylie, Ingersoll Rand / Doosan, Innovatech, Con X, Ammann, Mecalac, Makinex, Smith Surface Prep, Small Line, Wanco, Yanmar

A LF 75 L / LF 75 LAT
GROUND PLATE INSTALLATION



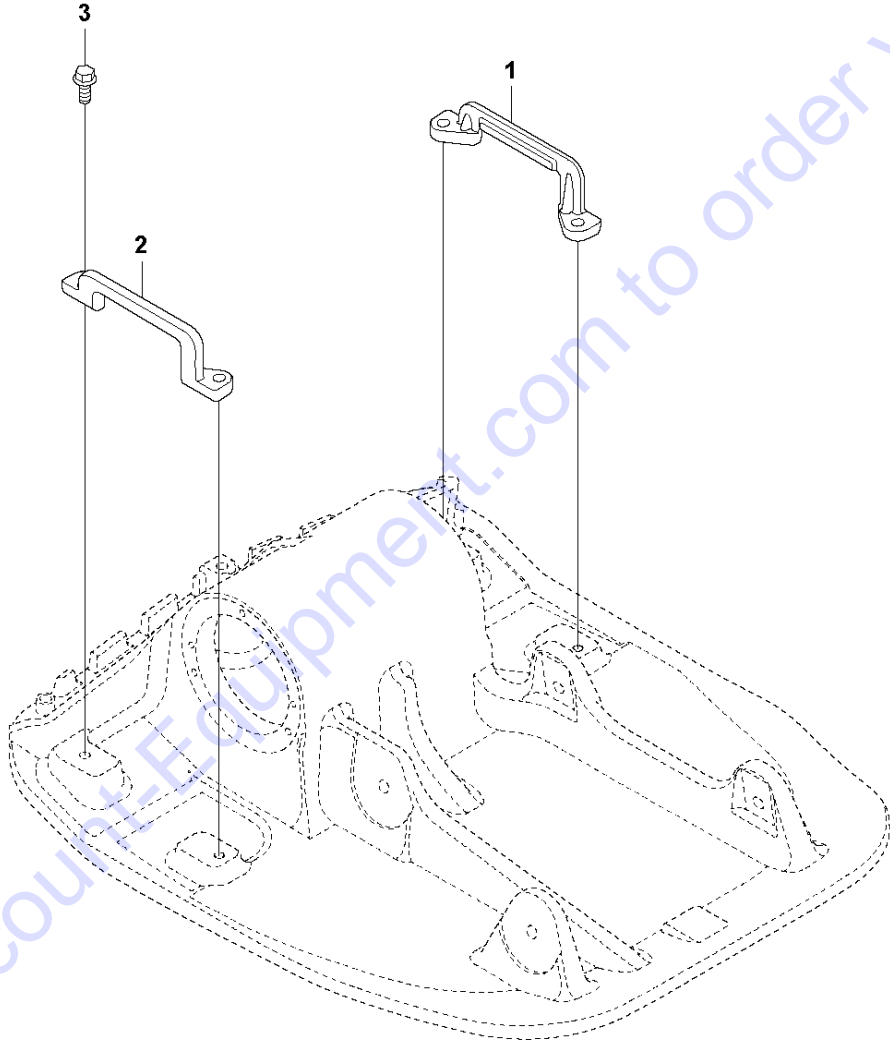
GROUND PLATE INSTALLATION
967896702, 2019-06

LF 75 /LF 75 LAT, 967854901, 967854902, 967896701,

Ref	Part No	Description	Remark	QTY KIT
1	594 65 07-01	PLATE	ground plate LF 75/420	1
2	594 65 06-01	PLATE	ground plate LF 75/500	1
3	594 64 38-01	SHAFT		1
4	594 52 61-01	BALL BEARING		2
5	594 49 01-01	COVER		1
6	594 12 83-01	SEAL		1
7	594 48 67-01	PULLEY		1
8	594 12 34-01	WASHER	M08 8,4x22x3,0 300 HV	1
9	594 12 00-01	SCREW	M08x25, 8.8, A2K	1
10	595 03 32-01	SCREW	screw M6x16 8.8, A2K	6
11	594 49 02-01	COVER		1
12	594 34 19-01	ABSORBER		4
13	594 12 26-01	HEXAGON NUT	HEXAGON NUT M10x10	8
14	594 65 33-01	BAR	BAR Sprinkler, 420 mm	1
15	594 65 32-01	BAR	BAR Sprinkler, 500 mm	1
16	594 12 30-01	LOCK NUT		3
17	595 03 35-01	SCREW	M08x40 8.8, A2K	2
18	595 28 71-01	SCREW	M08x50, 8.8, A2K	1
19	594 12 46-01	WASHER	washer nordlock NL6 M6 DIA 13.5	6

Go to Discount-Equipment.com to order your parts

B LF 75 L / LF 75 LAT
LIFTING HANDLE



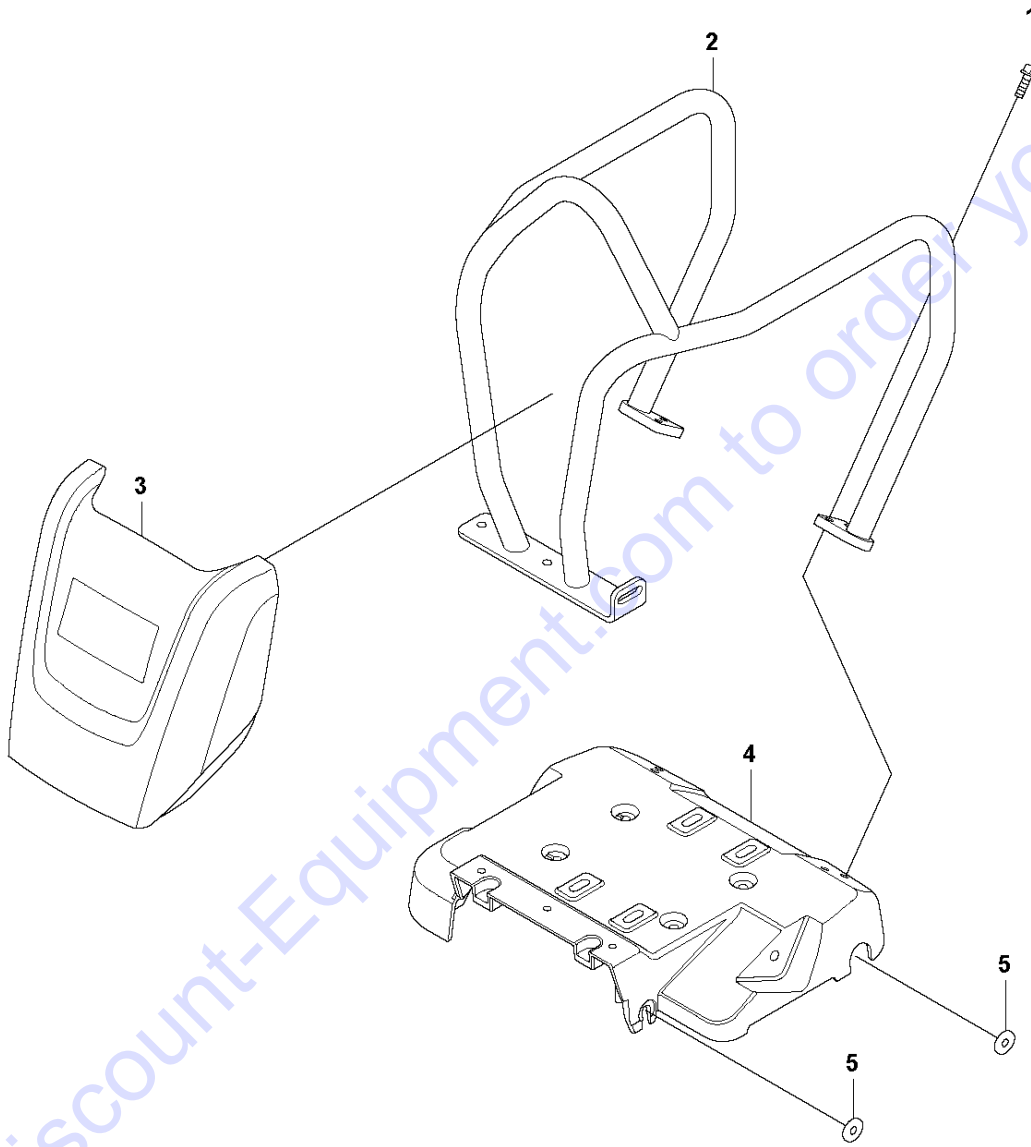
LIFTING HANDLE

LF 75 /LF 75 LAT, 967854901, 967854902, 967896701, 967896702, 2019-06

Ref	Part No	Description	Remark	QTY KIT
1	594 48 68-01	HANDLE	Right	1
2	594 48 69-01	HANDLE	Left	1
3	595 28 73-01	SCREW	M8x20 mm 8.8 A2K	4

Go to Discount-Equipment.com to order your parts

C LF 75 L
ENGINE PLATE



Go to Discount-Equipment.com to order your parts

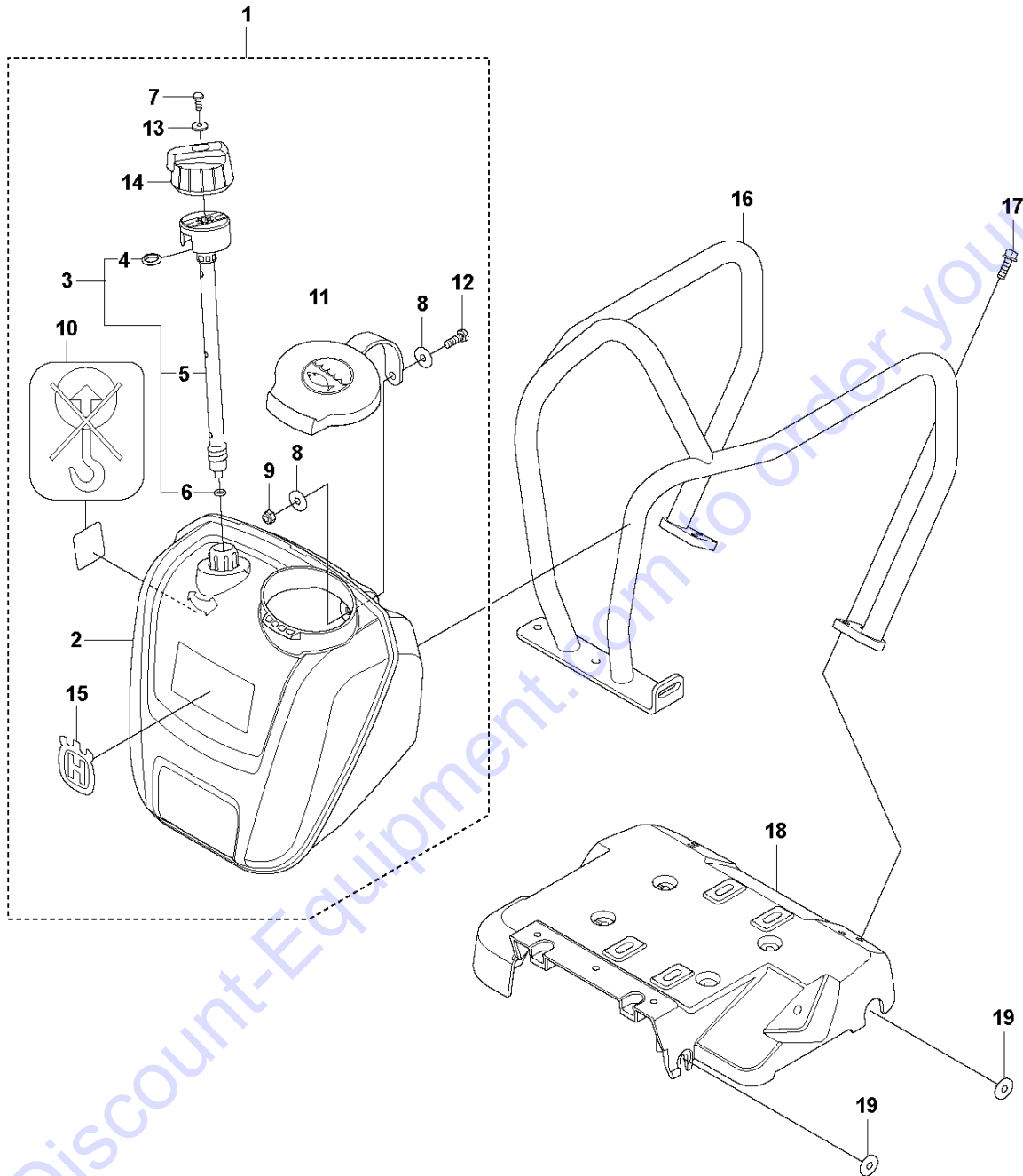
ENGINE PLATE

LF 75 /LF 75 LAT, 967854901, 967854902, 967896701, 967896702, 2019-06

Ref	Part No	Description	Remark	QTY KIT
1	594 12 00-01	SCREW		7
2	594 14 46-01	FRAME		1
3	594 95 80-01	COVER	cover - HVA orange	1
4	594 14 54-01	ENGINE PLATE		1
5	594 83 85-01	WASHER	022x10,5x4,0, S355JR, UNTR	2

Go to Discount-Equipment.com to order your parts

D LF 75 LAT
ENGINE PLATE & WATER TANK



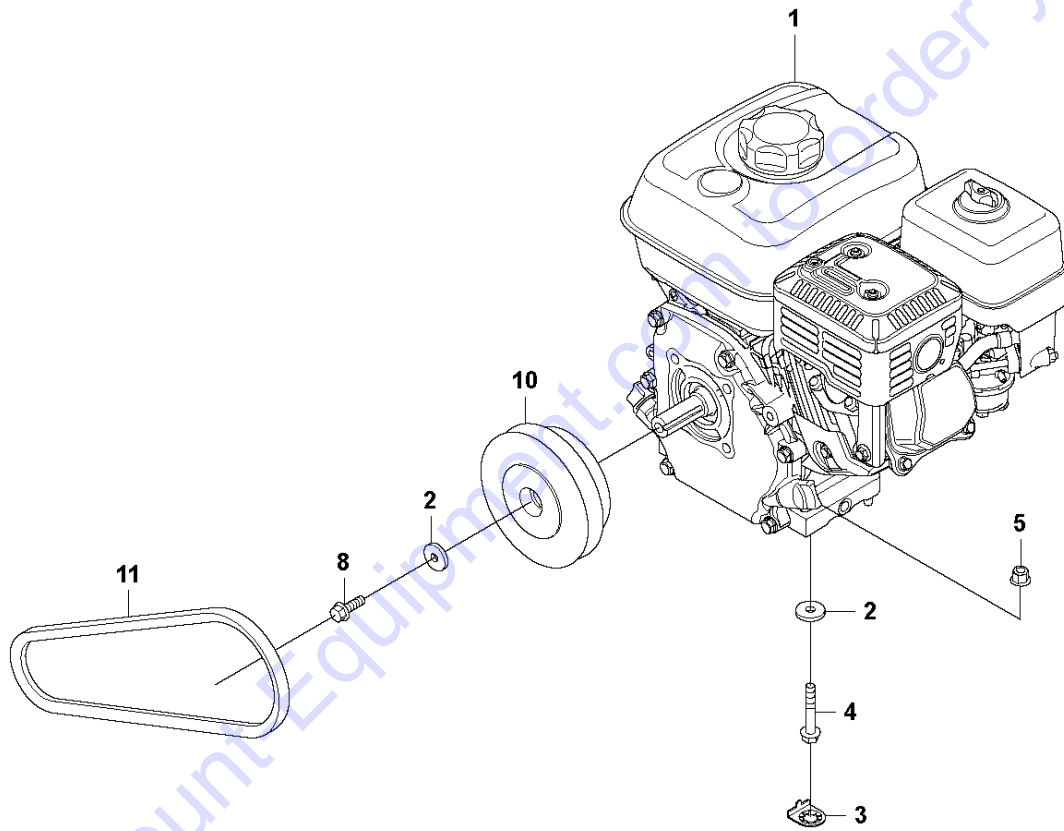
ENGINE PLATE & WATER TANK
967896702, 2019-06

LF 75 /LF 75 LAT, 967854901, 967854902, 967896701,

Ref	Part No	Description	Remark	QTY	KIT
1	596 39 29-01	SPRINKLER		1	
2	594 96 11-01	TANK		1	1
3	594 21 23-01	VALVE		1	1
4	594 12 79-01	O-RING	o-ring ϕ 15x4	1	1, 3
5	594 48 19-01	VALVE		1	1, 3
6	594 12 80-01	O-RING	o-ring ϕ 8x2.5	1	1, 3
7	595 03 32-01	SCREW	M6x16 8.8, A2K	1	1
8	595 06 10-01	WASHER		2	1
9	595 06 27-01	NUT	M08 DIN985	1	1
10	594 48 33-01	DECAL		1	1
11	594 48 14-01	CAP		1	1
12	595 03 34-01	SCREW	m8x25	1	1
13	595 03 64-01	WASHER	NB 06,4 18,0 1,6 din 9021 b Zn	1	1
14	594 48 11-01	HANDLE		1	1
15	574 38 21-01	DECAL	HV Crown	1	1
16	594 14 46-01	FRAME		1	
17	594 12 00-01	SCREW		7	
18	594 14 54-01	ENGINE PLATE		1	
19	594 83 85-01	WASHER	022x10,5x4,0, S355JR, UNTR	2	

Go to Discount-Equipment.com to order your parts

E LF 75 L / LF 75 LAT
ENGINE INSTALLATION

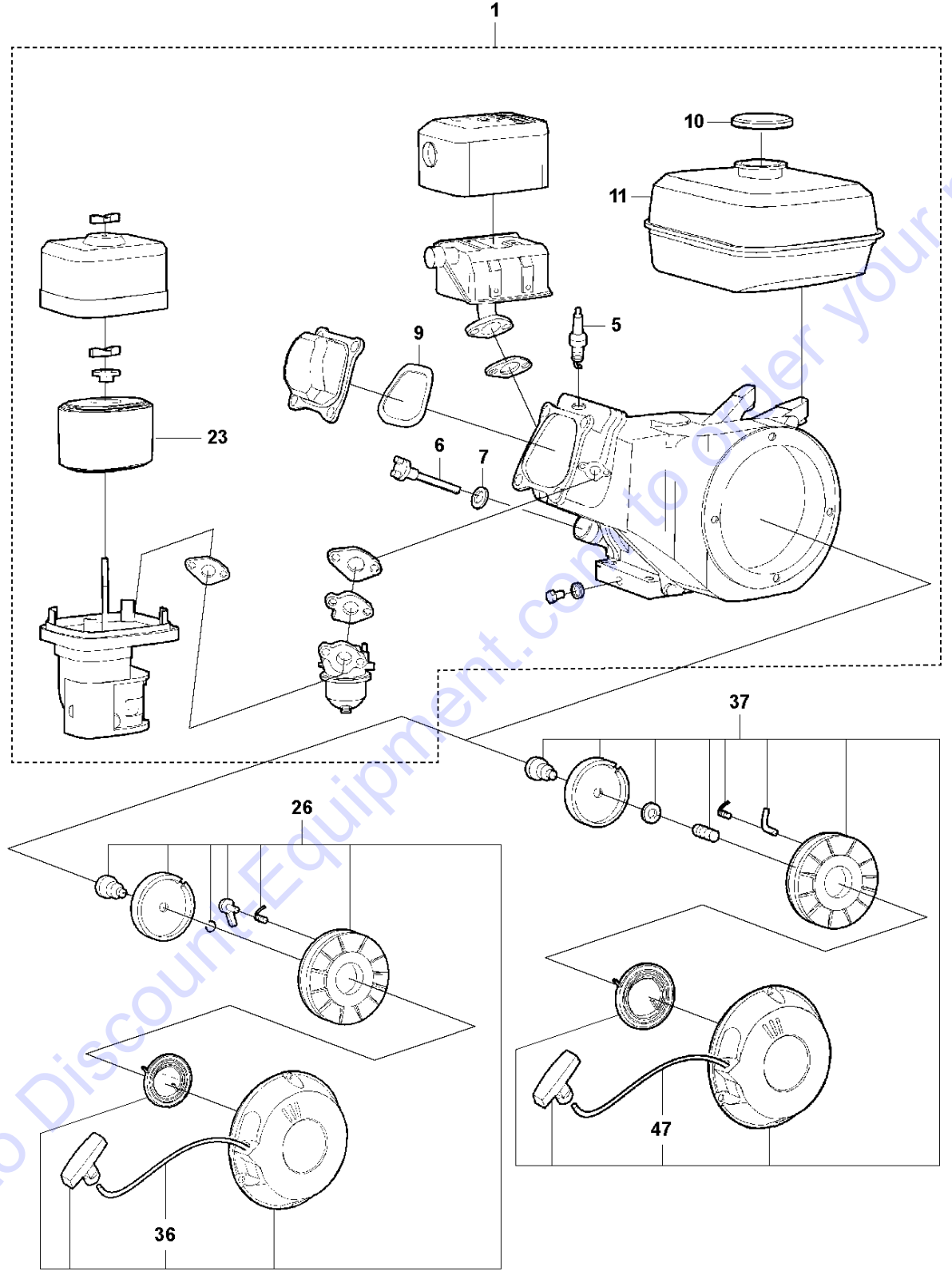


ENGINE INSTALLATION LF 75 /LF 75 LAT, 967854901, 967854902, 967896701, 967896702, 2019-06

Ref	Part No	Description	Remark	QTY KIT
1	594 16 11-01	ENGINE		1
2	595 11 29-01	WASHER	M08 8,4x26x4,0 300 HV	5
3	594 48 42-01	WASHER		4
4	594 49 91-01	SCREW	flange screw M8x50	4
5	594 12 30-01	LOCK NUT		4
8	594 12 00-01	SCREW	flange screw M8x25	1
10	594 48 01-01	CENTRIFUGAL CLUTCH		1
11	594 48 88-01	V-BELT		1

Go to Discount-Equipment.com to order your parts

F LF 75 L / LF 75 LAT
ENGINE - HONDA GX 160 UT2 SXS4 OH



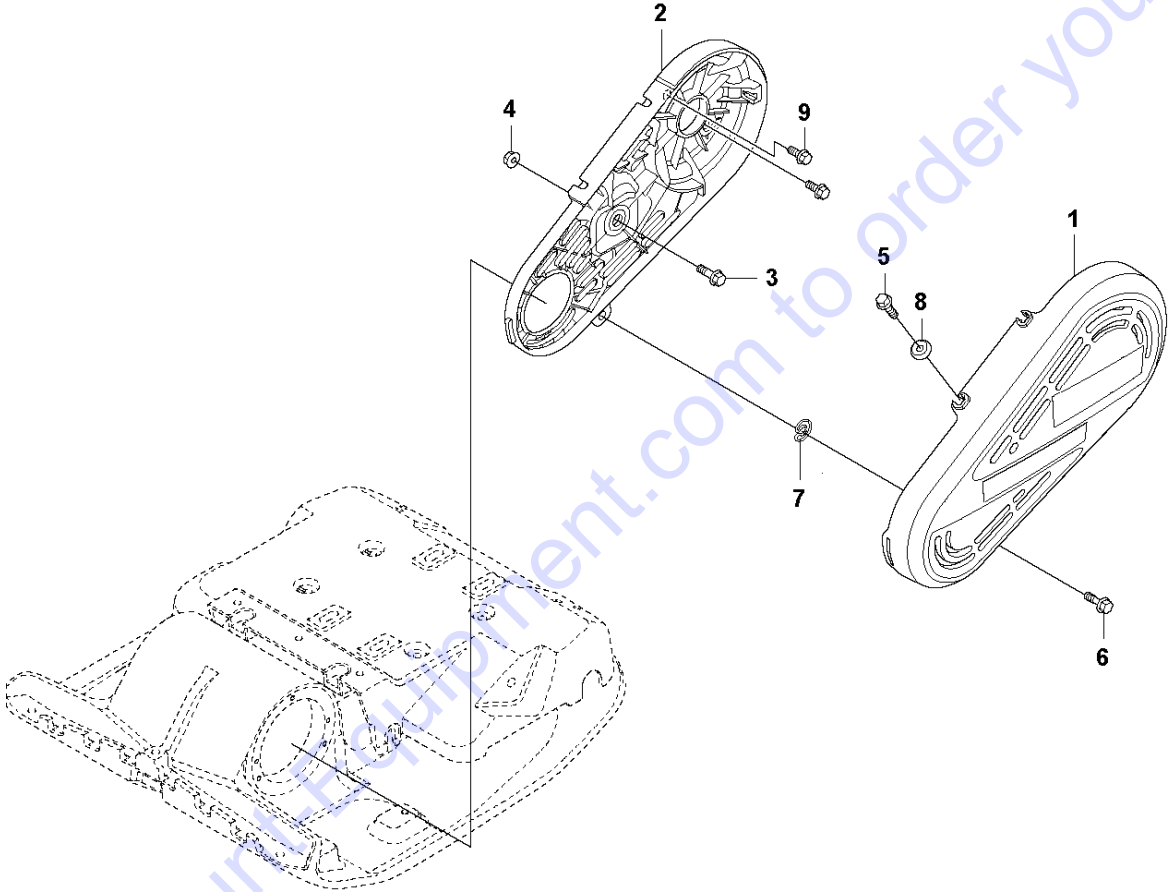
ENGINE

LF 75 /LF 75 LAT, 967854901, 967854902, 967896701, 967896702, 2019-06

Ref	Part No	Description	Remark	QTY KIT	
1	594 16 11-01	ENGINE	Honda GX160UT2 SXS4 SD	1	
5	594 20 40-01	SPARK PLUG	(bpr6es) (ngk)	1	1
6	594 20 38-01	OIL		1	1
7	595 37 42-01	CAP	(CAP Packing, Oil Filler)	1	1
9	595 04 88-01	GASKET		1	1
10	594 20 46-01	FUEL CAP		1	1
11	594 20 45-01	FUEL TANK		1	1
23	594 30 21-01	AIR FILTER	Delivered with outer and inner filter.	1	1
26	594 30 06-01	STARTER	Complete, Red, Valid up to engine serial number 1411005.	1	1
36	595 04 91-01	ROPE		1	26
37	594 20 48-01	STARTER	recoil *nh1*, Complete, Black, Valid from engine serial number 1411006.	1	1
47	595 04 91-01	ROPE		1	37

Go to Discount-Equipment.com to order your parts

G LF 75 L / LF 75 LAT
BELT GUARD



Go to DiscountEquipment.com to order your parts

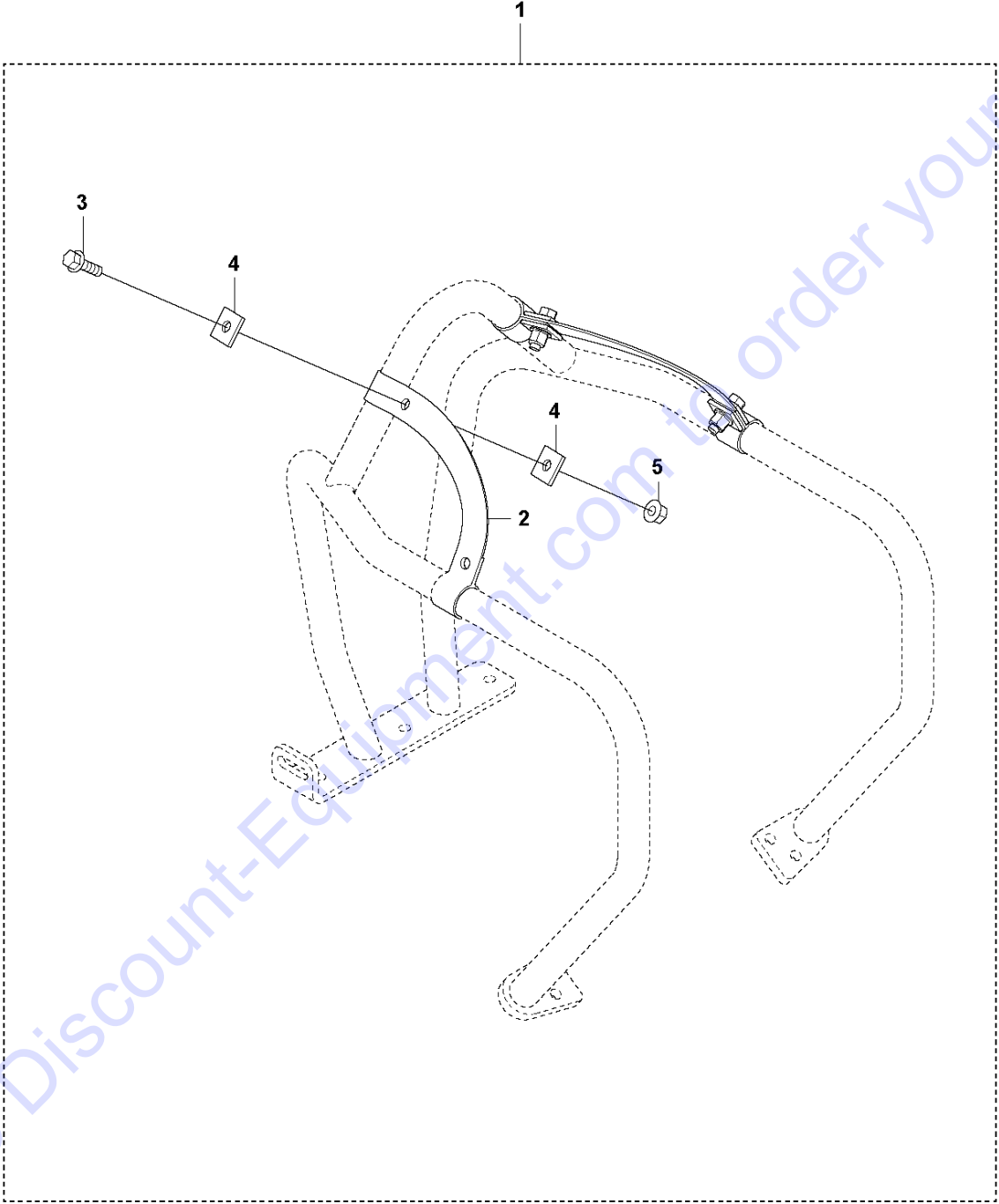
BELT GUARD

LF 75 /LF 75 LAT, 967854901, 967854902, 967896701, 967896702, 2019-06

Ref	Part No	Description	Remark	QTY KIT
1	594 96 07-01	BELT GUARD	outer	1
2	594 48 31-01	BELT GUARD	inner	1
3	594 12 00-01	SCREW	M8 x 25 mm 8.8 A2K	1
4	594 12 30-01	LOCK NUT	M8 x 1.25 mm A2K	1
5	594 11 98-01	SCREW		3
6	594 64 80-01	SCREW	M8 x 25 mm 8.8 A2K	1
7	594 65 02-01	LOCKING SPRING		1
8	594 64 78-01	WASHER		3
9	595 28 73-01	SCREW	M8 x 20 mm 8.8 A2K	2

Go to Discount-Equipment.com to order your parts

H LF75 L / LF 75 LAT
FORK LIFTING DEVICE



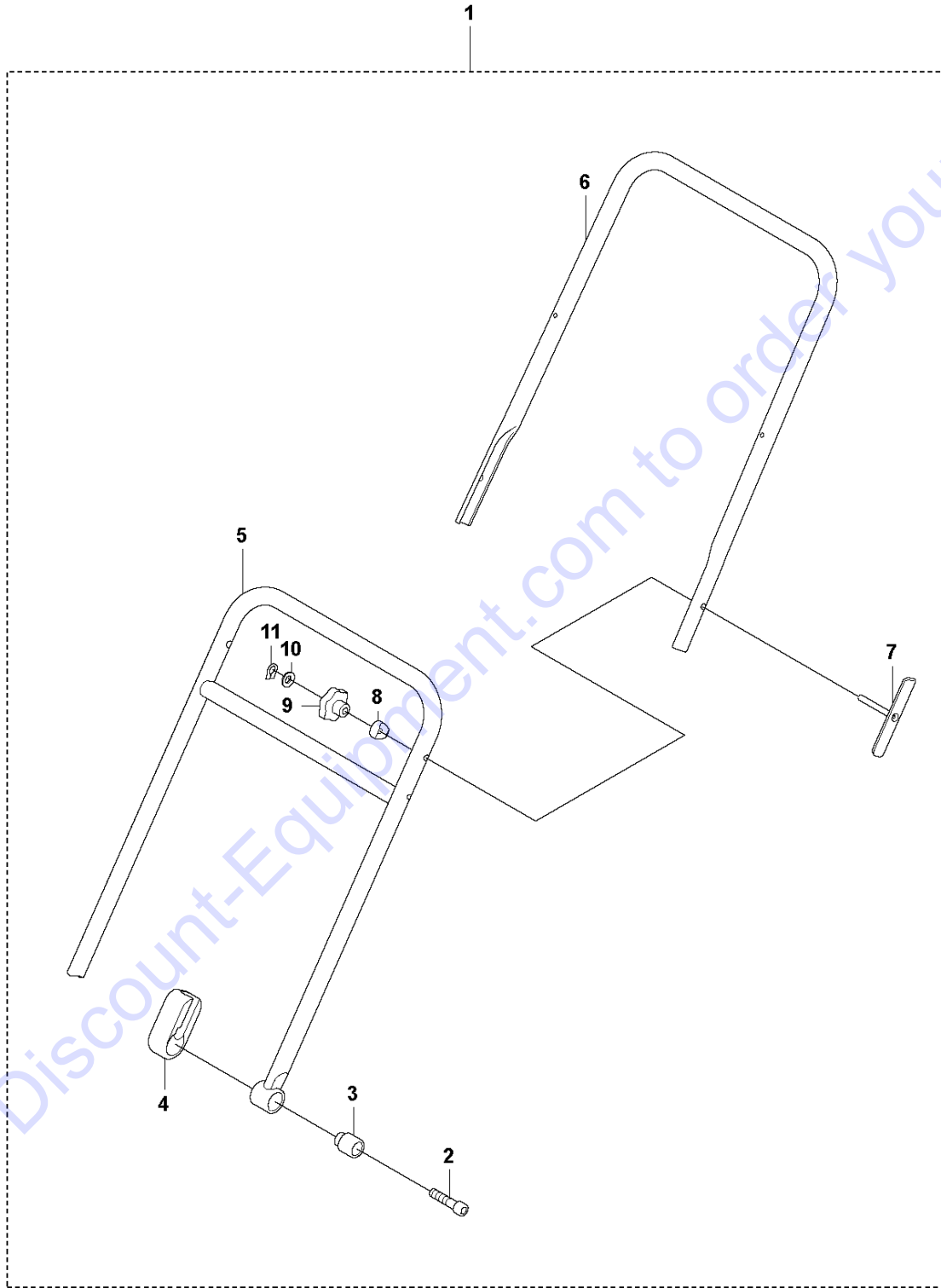
Go to Discount-Equipment.com to order your parts

FORK LIFTING DEVICE LF 75 /LF 75 LAT, 967854901, 967854902, 967896701, 967896702, 2019-06

Ref	Part No	Description	Remark	QTY	KIT
1	595 50 31-01	FORK		1	
2	594 48 99-01	HANDLE		2	1
3	594 11 98-01	SCREW	m8x30	4	1
4	595 18 27-01	WASHER	square washer 9x25x3	8	1
5	594 12 30-01	LOCK NUT	M08x1,25, -8, A2K	4	1

Go to Discount-Equipment.com to order your parts

J LF 75 L / LF 75 LAT
HANDLE



Go to Discount-Equipment.com to order your parts

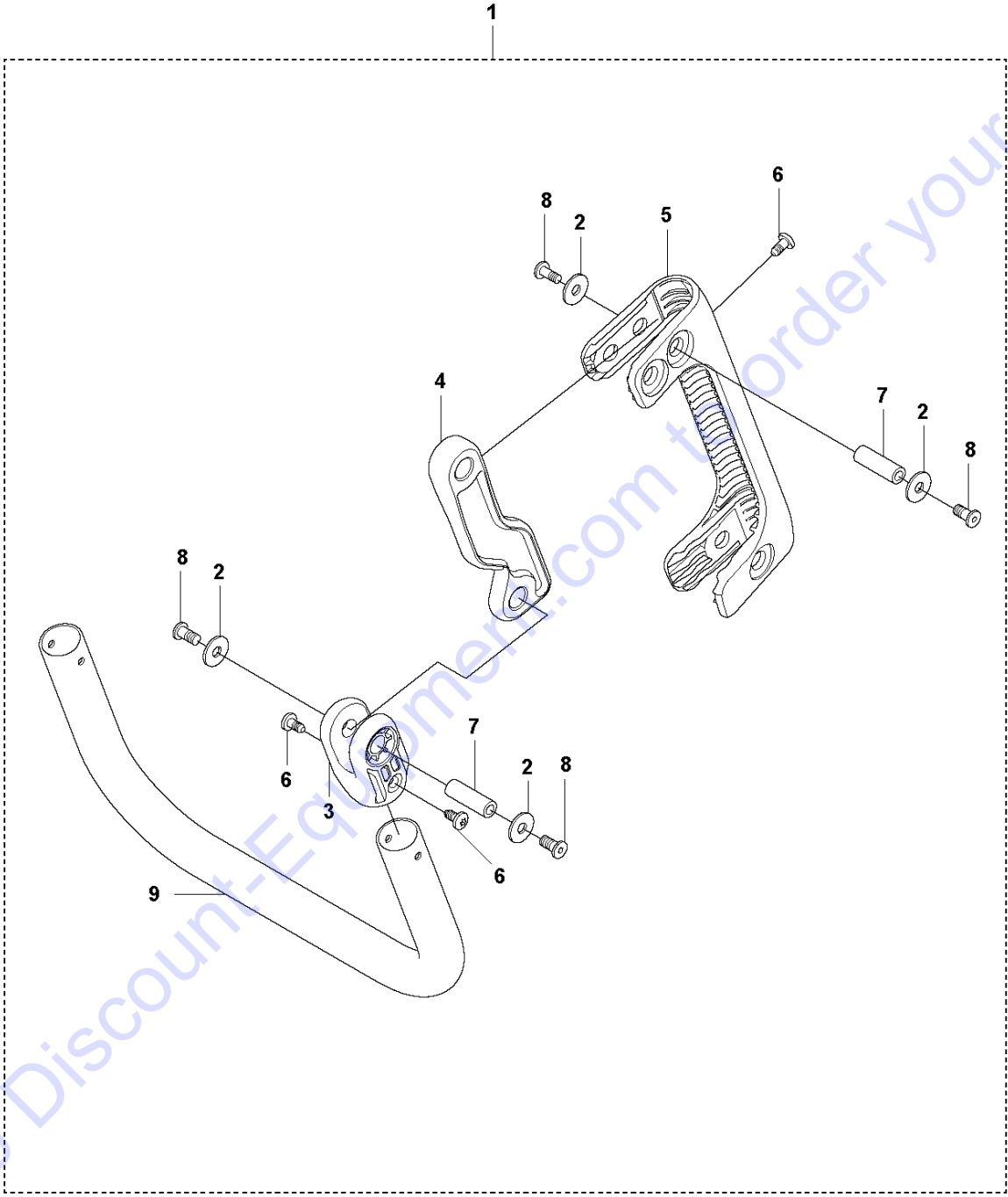
HANDLE

LF 75 /LF 75 LAT, 967854901, 967854902, 967896701, 967896702, 2019-06

Ref	Part No	Description	Remark	QTY KIT	
1	594 76 11-01	HANDLE	Handle, complete		
2	595 07 16-01	SOCKET	M12 x 50 mm 8.8 A3K	2	1
3	594 65 47-01	SLEEVE		2	1
4	594 48 04-01	RADIATOR		2	1
5	594 65 40-01	HANDLE	Lower	1	1
6	594 65 41-01	HANDLE	Upper	1	1
7	594 65 44-01	BRACKET		2	1
8	594 65 42-01	SLEEVE		2	1
9	594 65 43-01	KNOB		2	1
10	594 12 38-01	PLANE WASHER	5,3x10x1 300HV	2	1
11	594 26 55-01	RING	4.8 x 7 x 0.6 mm, 0.18 x 0.26 x 0.02 in.	2	1

Go to Discount-Equipment.com to order your parts

K LF 75 L / LF 75 LAT
VIBRATION DAMPED HANDLE



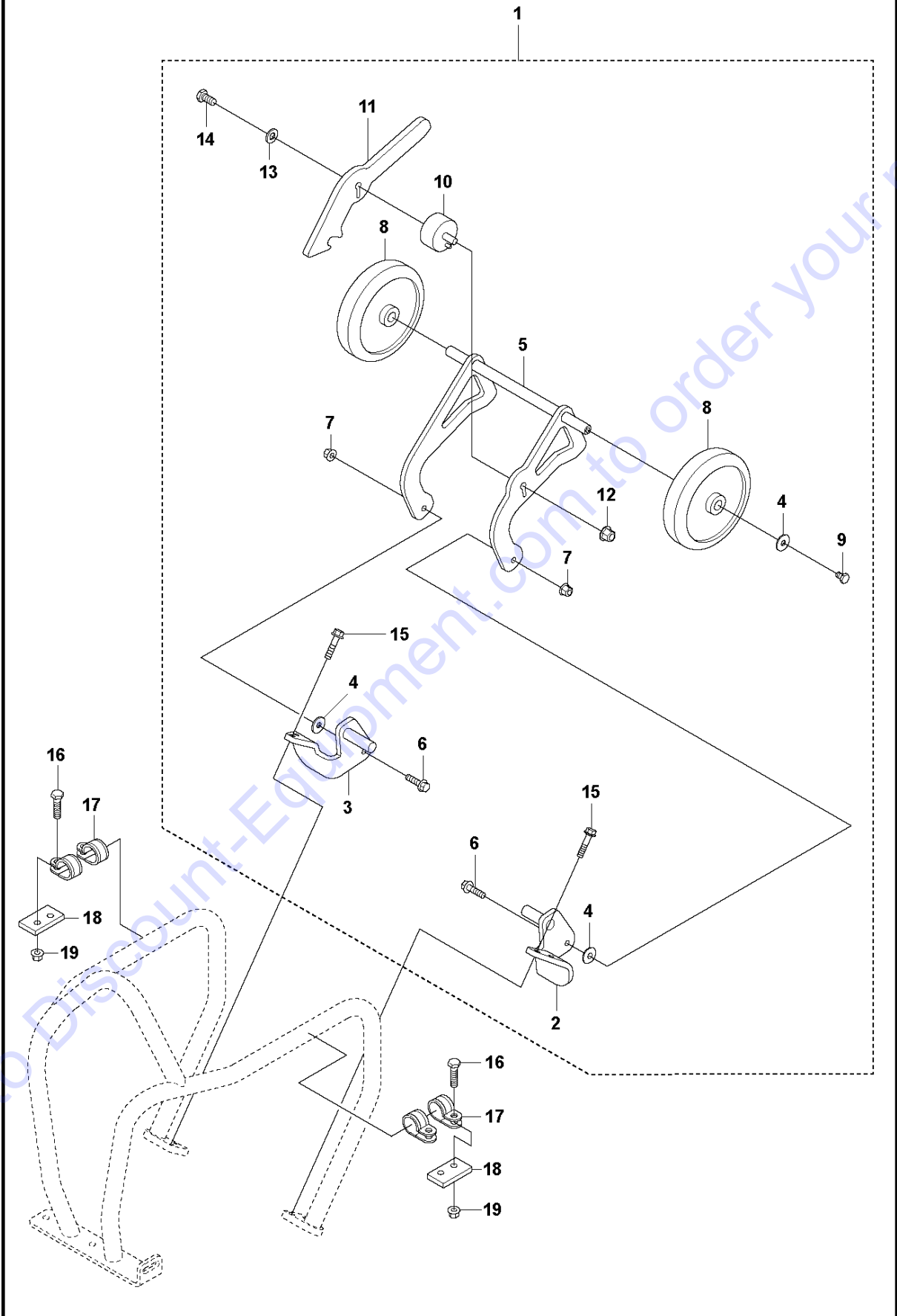
Go to Discount-Equipment.com to order your parts

VIBRATION DAMPED HANDLE LF 75 /LF 75 LAT, 967854901, 967854902, 967896701, 967896702, 2019-06

Ref	Part No	Description	Remark	QTY	KIT
1	594 20 50-01	HANDLE	DEVIBRATED LF75-100	1	
2	594 52 66-01	WASHER	φ6.4/18.0x1.6	16	1
3	594 48 22-01	BRACKET		2	1
4	594 48 05-01	ABSORBER		2	1
5	594 48 21-01	BRACKET		2	1
6	594 52 50-01	SCREW	M5 x 10 mm A2K	8	1
7	594 52 47-01	NUT	M6 x 30 mm 8.8	8	1
8	594 52 67-01	SCREW	M6 x 12 mm 10.9 A2T	16	1
9	594 16 63-01	HANDLE		1	1

Go to Discount-Equipment.com to order your parts

L LF 75 L / LF 75 LAT
TRANSPORT DEVICE



TRANSPORT DEVICE LF 75 /LF 75 LAT, 967854901, 967854902, 967896701, 967896702, 2019-06

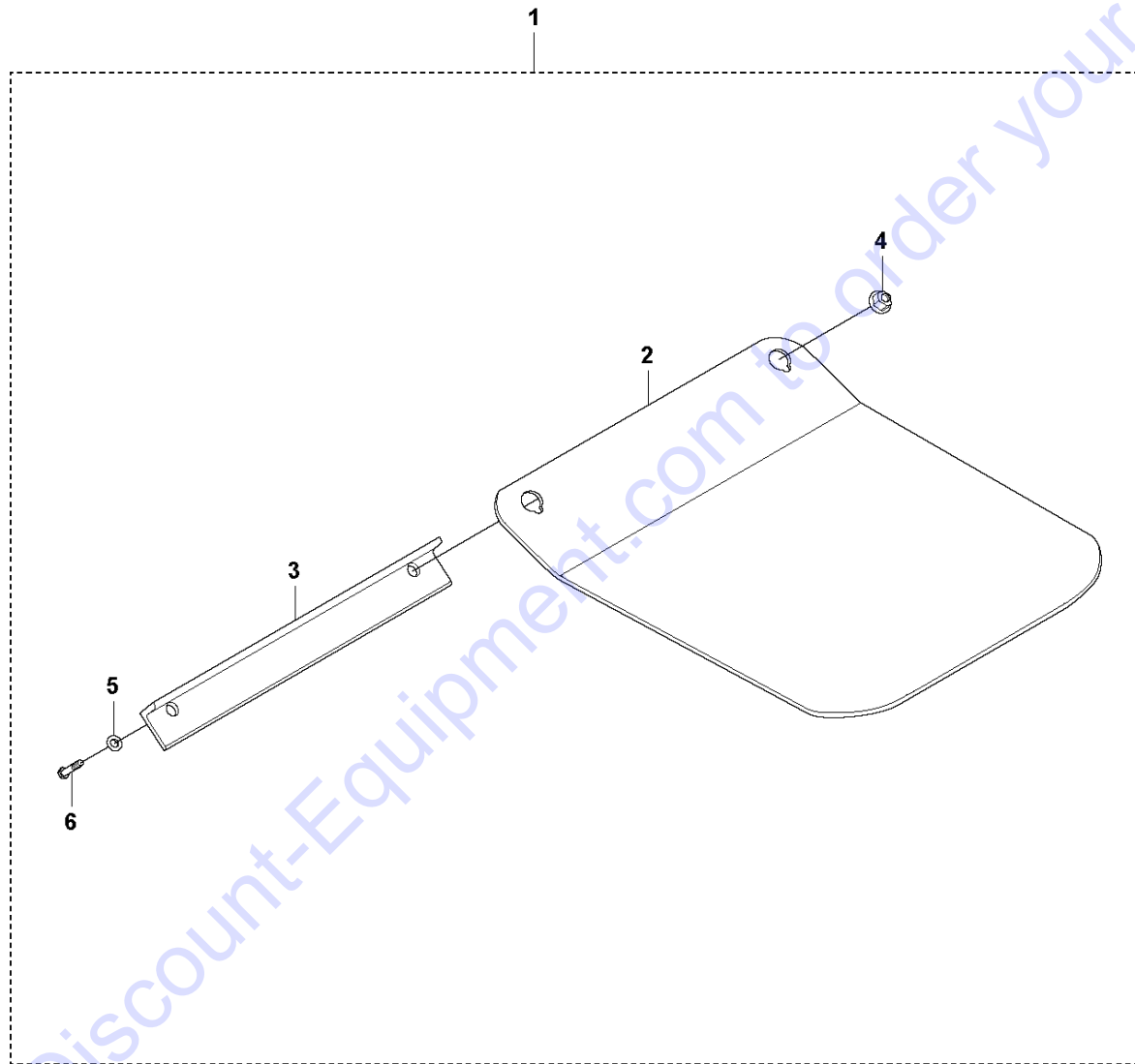
Ref	Part No	Description	Remark	QTY KIT
1	594 20 49-01	TRANSPORT GUARD	Transport device	1
2	594 64 87-01	BRACKET	Left	1
3	594 64 89-01	BRACKET	Right	1
4	595 06 10-01	WASHER	8,4x25x2 mm	4
5	594 64 88-01	FORK		1
6	594 11 98-01	SCREW	M8x30 mm 8.8 A2K	2
7	594 12 30-01	LOCK NUT	M8x1.25 mm A2K	2
8	594 45 55-01	WHEEL	WHEEL	2
9	596 88 97-07	SCREW	SCREW Hex. Head M6S M8x12 8.8 fzb	2
10	594 46 27-01	ABSORBER	shock absorber	1
11	594 65 10-01	HOOK		1
12	595 06 47-01	LOCK NUT	M10	1
13	594 74 74-01	WASHER	M10 10,5x22x2,0 300 HV	1
14	594 11 84-01	SCREW	M10x20 mm 8.8 A3K	1
15	594 12 00-01	SCREW	M8x25mm 8.8 A2K	4
16	595 46 63-01	SCREW	M06x025H, 8.8, A2K	4
17	595 06 85-01	CLAMP	22x6.4x15	4
18	594 64 60-01	STOP		2
19	595 11 26-01	NUT	M06x1,00, -8, A2K	4

Go to Discount-Equipment.com to order your parts

BLOCK PAVING PLATE 420 MM (16,5")
967896702, 2019-06

LF 75 /LF 75 LAT, 967854901, 967854902, 967896701,

M LF 75 L / LF 75 LAT
BLOCK PAVING PLATE 420 MM (16,5 IN")



Go to Discount-Equipment.com to order your parts

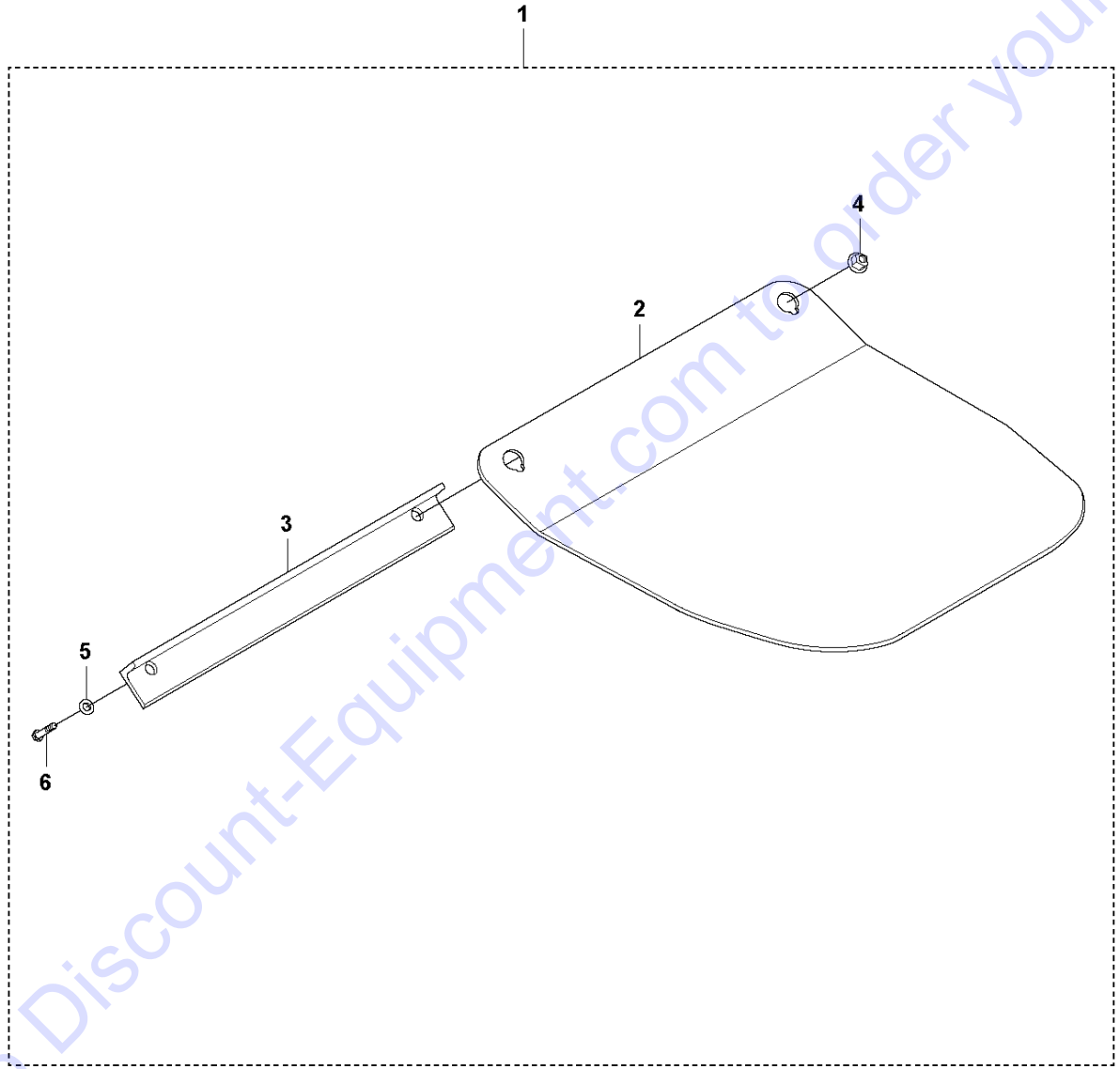
BLOCK PAVING PLATE 420 MM (16,5")
967896702, 2019-06

LF 75 /LF 75 LAT, 967854901, 967854902, 967896701,

Ref	Part No	Description	Remark	QTY KIT	
1	594 86 81-01	BLOCK	Complete	1	
2	594 48 46-01	PLATE	"Polyurethane plate, 420 mm, 16.5""	1	1
3	594 48 47-01	BRACKET		1	1
4	594 12 30-01	LOCK NUT	M8 x 1.25 mm A2K	2	1
5	595 03 66-01	WASHER	M08 8,4x16x1,5 300 HV	2	1
6	594 52 25-01	SCREW	M8 x 75 mm 8.8 A2K	2	1

Go to Discount-Equipment.com to order your parts

N LF 75 L / LF 75 LAT
BLOCK PAVING PLATE 500 MM (19,7 IN")



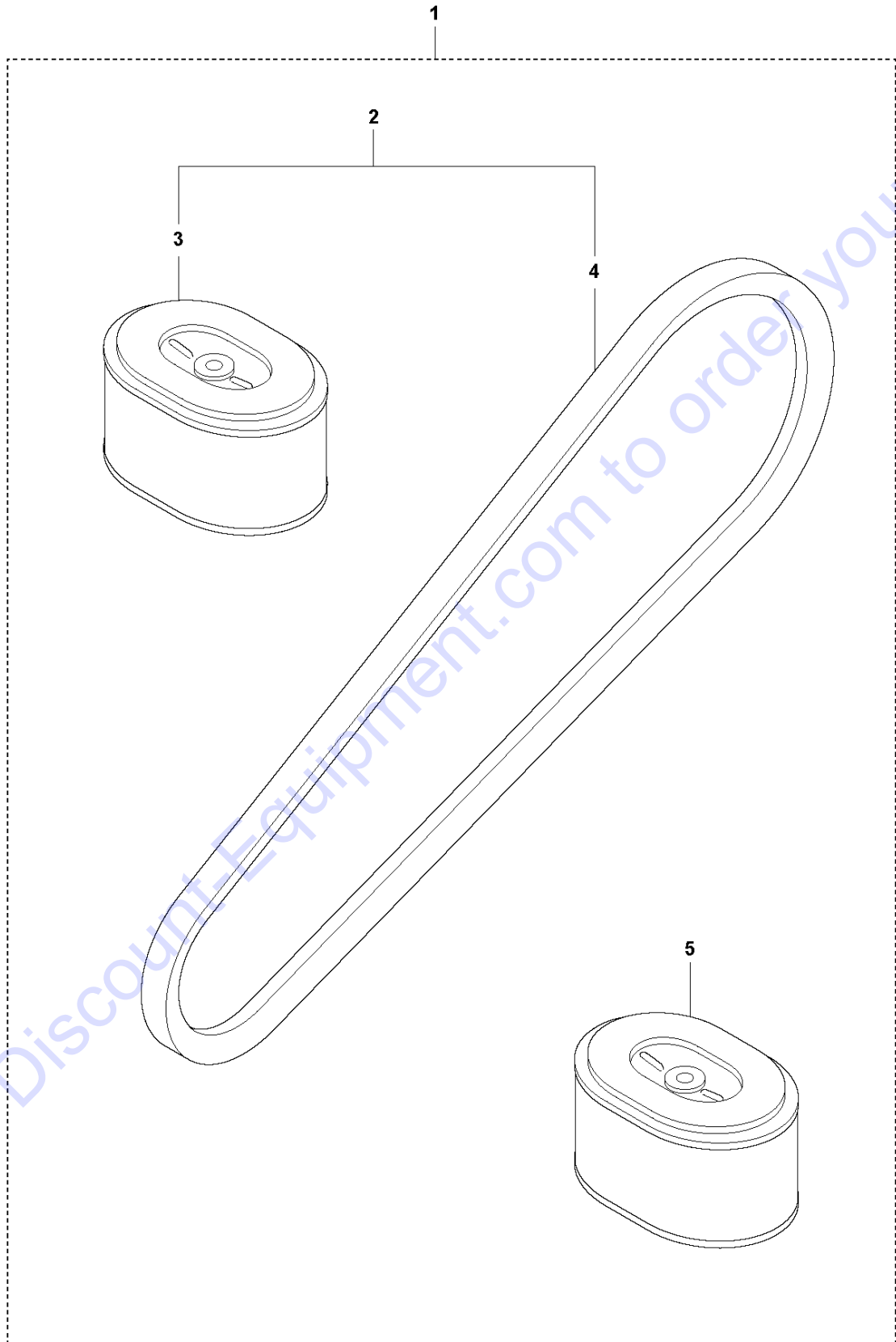
BLOCK PAVING PLATE 500 MM (19,7")
967896702, 2019-06

LF 75 /LF 75 LAT, 967854901, 967854902, 967896701,

Ref	Part No	Description	Remark	QTY KIT	
1	594 86 82-01	BLOCK	Complete	1	
2	594 48 48-01	PLATE	"Polyurethane plate, 500 mm, 19.7""	1	1
3	594 48 49-01	BRACKET		1	1
4	594 12 30-01	LOCK NUT	M8 x 1.25 mm A2K	2	1
5	595 03 66-01	WASHER	8.4x 16x1.5 mm 300HV	2	1
6	594 52 25-01	SCREW	M8 x 75 mm 8.8 A2K	2	1

Go to Discount-Equipment.com to order your parts

P LF 75 L / LF 75 LAT
START UP KIT - HONDA



Go to Discount-Equipment.com to order your parts

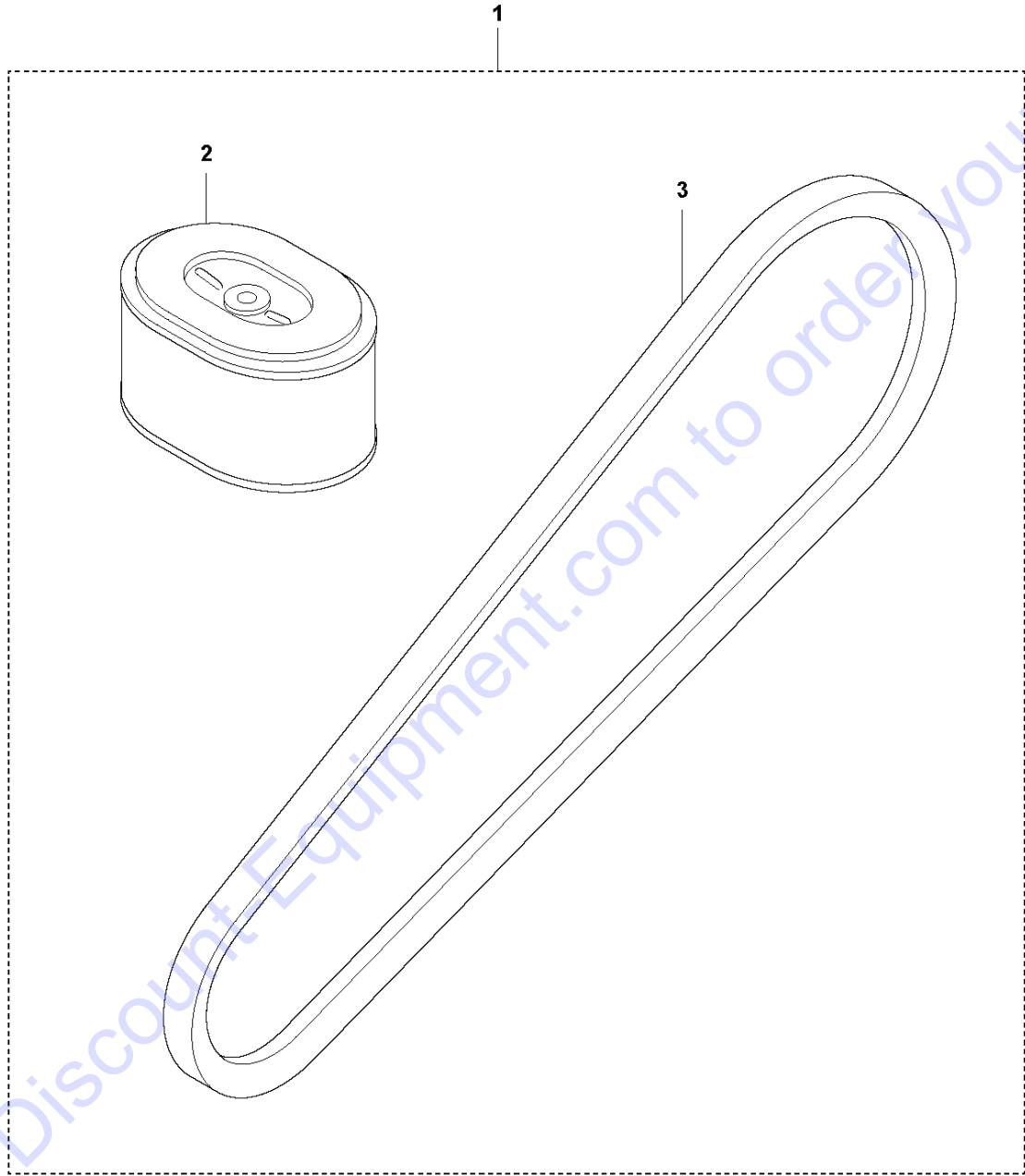
START UP KIT

LF 75 /LF 75 LAT, 967854901, 967854902, 967896701, 967896702, 2019-06

Ref	Part No	Description	Remark	QTY KIT	
1	595 38 53-01	SERVICE KIT	Start up kit	1	
2	594 21 62-01	SERVICE KIT	12 months / 200 hours service kit	1	1
3	594 30 21-01	AIR FILTER		1	1, 2
4	594 48 88-01	V-BELT		1	1, 2
5	594 30 21-01	AIR FILTER		1	1

Go to Discount-Equipment.com to order your parts

Q LF 75 L / LF 75 LAT
12 MONTHS / 200 HOURS SERVICE KIT

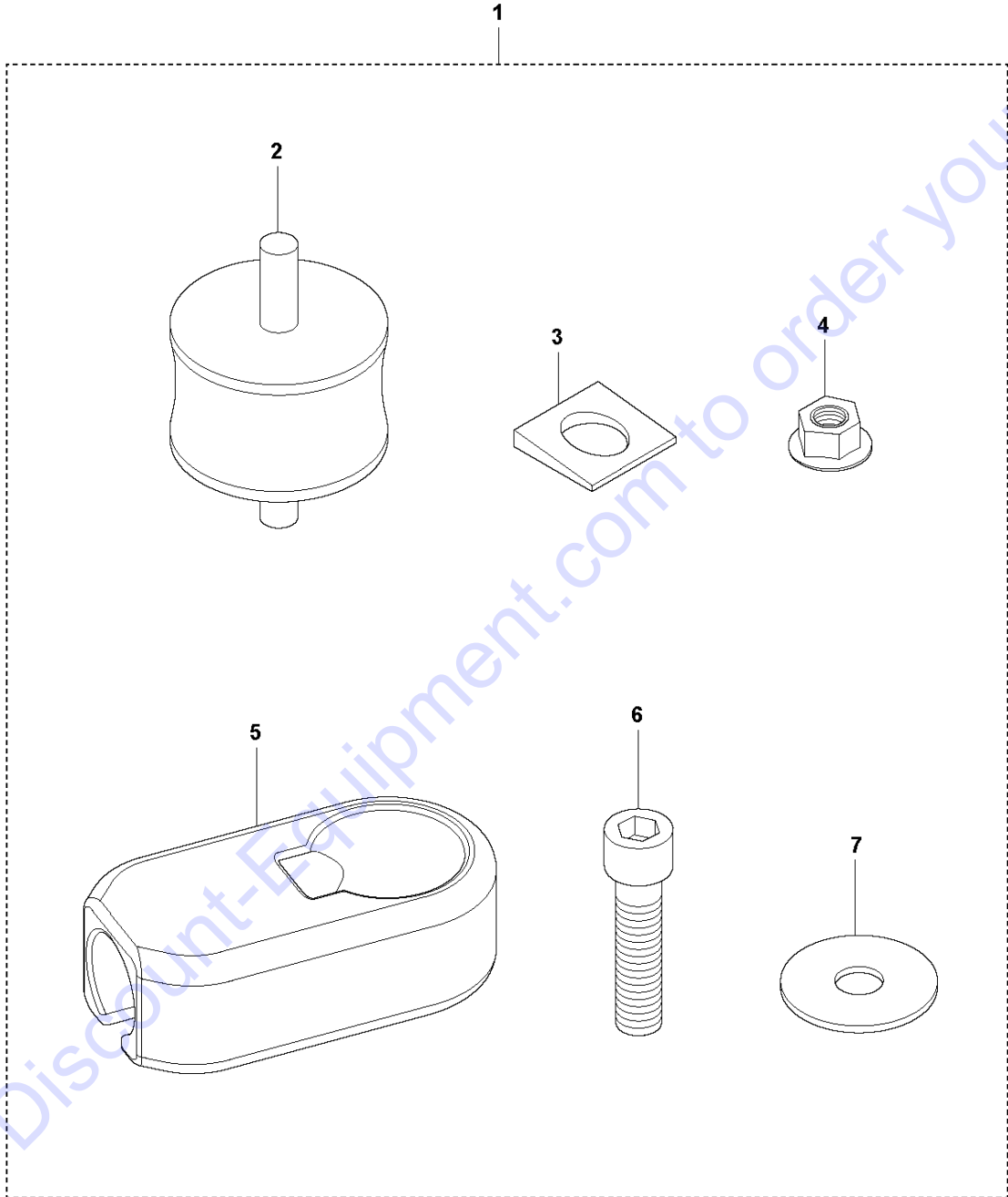


12 MONTHS / 200 HOURS SERVICE KIT LF 75 /LF 75 LAT, 967854901, 967854902, 967896701,
967896702, 2019-06

Ref	Part No	Description	Remark	QTY	KIT
1	594 21 62-01	SERVICE KIT		1	
2	594 30 21-01	AIR FILTER		1	1
3	594 48 88-01	V-BELT		1	1

Go to Discount-Equipment.com to order your parts

R LF 75 L / LF 75 LAT
SHOCK ABSORBER REPAIR KIT



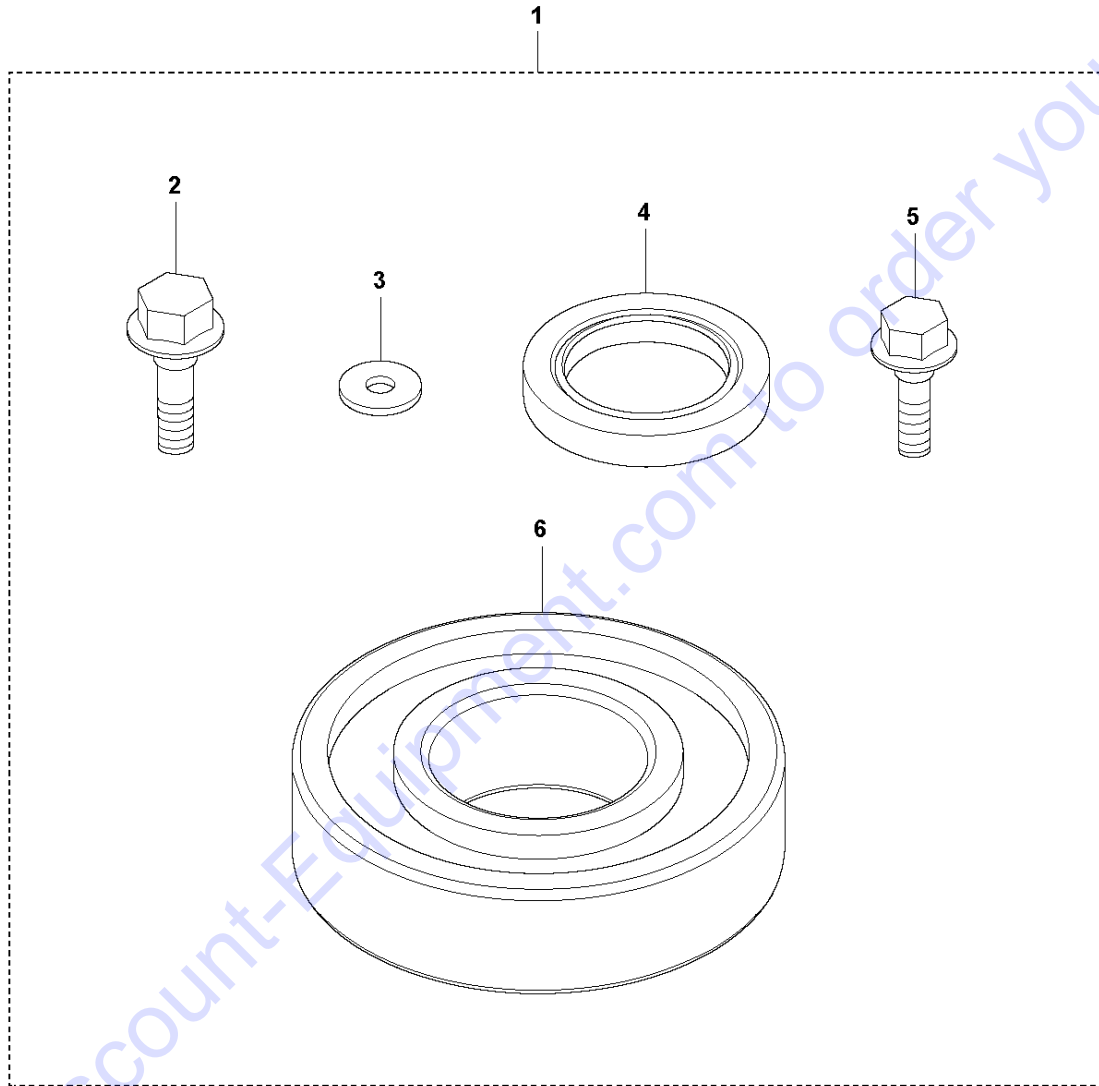
SHOCK ABSORBER REPAIR KIT
967896702, 2019-06

LF 75 /LF 75 LAT, 967854901, 967854902, 967896701,

Ref	Part No	Description	Remark	QTY	KIT
1	594 19 46-01	REPAIR KIT		1	
2	594 34 19-01	ABSORBER		4	1
3	594 52 64-01	WASHER	M10 22x22x4.6 dia.11 DIN 435	4	1
4	594 12 26-01	HEXAGON NUT	M10x1,50,-8,A3K STD215 ISO4161	8	1
5	594 48 04-01	RADIATOR		2	1
6	594 53 00-01	SCREW	M12x50, 8.8, A3K	2	1
7	594 83 85-01	WASHER	022x10,5x4,0, S355JR, UNTR	4	1

Go to Discount-Equipment.com to order your parts

S LF 75 L / LF 75 LAT
ECCENTRIC ELEMENT REPAIR KIT



ECCENTRIC ELEMENT REPAIR KIT
967896702, 2019-06

LF 75 /LF 75 LAT, 967854901, 967854902, 967896701,

Ref	Part No	Description	Remark	QTY KIT	
1	594 19 44-01	REPAIR KIT		1	
2	594 12 00-01	SCREW	M08x025H, 8.8, A2K	1	1
3	594 12 34-01	WASHER	M08 8,4x22x3,0 300 HV	1	1
4	594 12 83-01	SEAL		1	1
5	594 52 33-01	SCREW	M06x16, 8.8, A2K	6	1
6	594 52 61-01	BALL BEARING		2	1

Go to Discount-Equipment.com to order your parts

T LF 75 L
GOLD KIT

1

1	595387902	Gold Kit LF 75	
Ground Plate and Eccentric System			
2	Eccentric System	Eccentric Element Repair Kit	1
3		V-Belt Pulley	1
4		Screw	6
5		Lock Washer	6
6		Shock absorber repair kit	1
Cosmetic Kit			
7	Covers	Cover	1
8		Belt guard, outer	1
9		Screw	3
10		Nut	1
11		Screw	3
12		Screw	1
13		Lock Spring	1
14		Washer	3
15		Screw	2
16		Handle Kit	Handle Kit
17	Labeling	Product Label Kit	1
Engine			
18	Service Kit	Yearly Service Kit	1

GOLD KIT

LF 75 /LF 75 LAT, 967854901, 967854902, 967896701, 967896702, 2019-06

Ref	Part No	Description	Remark	QTY KIT
1	595 38 79-02	SERVICE KIT	For LF 75 L	1

Go to Discount-Equipment.com to order your parts

U LF 75 L
SILVER KIT

1

1	594219101	Silver Kit LF75	
Ground Plate and Eccentric System			
2	Eccentric System	Eccentric Element Repair Kit	1
3		V-Belt Pulley	1
4		Screw	6
5		Lock Washer	6
6		Shock absorber repair kit	1
Engine			
7	Service Kit	Yearly Service Kit	1

SILVER KIT

LF 75 /LF 75 LAT, 967854901, 967854902, 967896701, 967896702, 2019-06

Ref	Part No	Description	Remark	QTY KIT
1	594 21 91-01	SERVICE KIT	For LF 75 L	1

Go to Discount-Equipment.com to order your parts

V LF 75 L
COSMETIC KIT

1

1	595386202	Cosmetic Kit	
2	Covers	Cover	1
3		Belt guard, outer	1
4		Screw	3
5		Nut	1
6		Screw	3
7		Screw	1
8		Lock Spring	1
9		Washer	3
10		Screw	2
11		Handle Kit	Handle Kit
12	Labeling	Product Label Kit	1

Go to DiscountEquipment.com to order your parts

COSMETIC KIT

LF 75 /LF 75 LAT, 967854901, 967854902, 967896701, 967896702, 2019-06

Ref	Part No	Description	Remark	QTY KIT
1	595 38 62-02	SERVICE KIT	For LF 75 L	1

Go to Discount-Equipment.com to order your parts

W LF 75 LAT
GOLD KIT

1

1	594219202	Gold Kit LF 75 LAT	
Ground Plate and Eccentric System			
2	Eccentric System	Eccentric Element Repair Kit	1
3		V-Belt Pulley	1
4		Screw	6
5		Lock Washer	
6		Shock absorber repair kit	1
Cosmetic Kit			
7	Covers	Belt guard, outer	1
8		Screw	3
9		Nut	1
10		Screw	3
11		Screw	1
12		Lock Spring	1
13		Washer	3
14		Screw	2
15	Sprinkler	Sprinkler Water System	1
16	Handle	Handle Kit	1
17	Labeling	Product Label Kit	1
Engine			
18	Service Kit	Yearly Service Kit	1

GOLD KIT

LF 75 /LF 75 LAT, 967854901, 967854902, 967896701, 967896702, 2019-06

Ref	Part No	Description	Remark	QTY KIT
1	594 21 92-02	SERVICE KIT	For LF 75 LAT	1

Go to Discount-Equipment.com to order your parts

X LF 75 LAT
COSMETIC KIT

1

1	594219002	Cosmetic Kit	
2	Covers	Belt guard, outer	1
3		Screw	3
4		Nut	1
5		Screw	3
6		Screw	1
7		Lock Spring	1
8		Washer	3
9		Screw	2
10		Sprinkler	Sprinkler Water System
11	Handle	Handle Kit	1
12	Labeling	Product Label Kit	1

Go to DiscountEquipment.com to order your parts

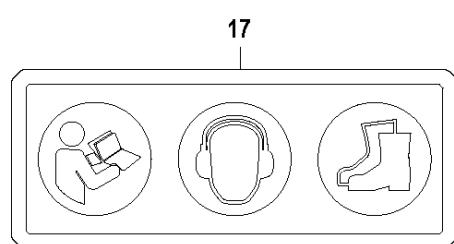
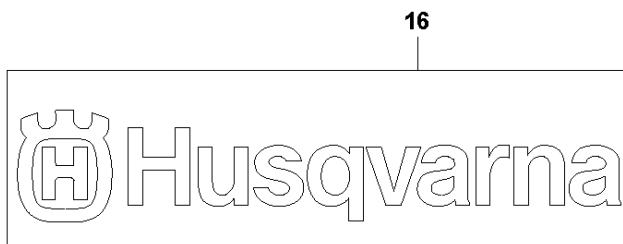
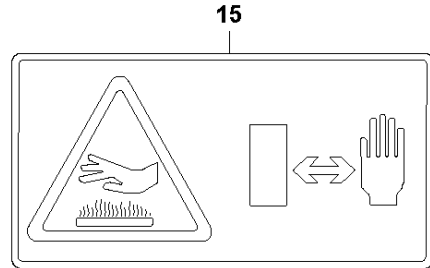
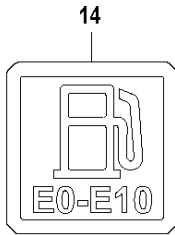
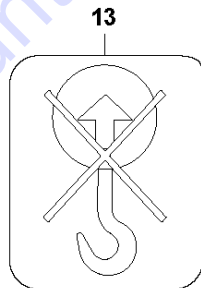
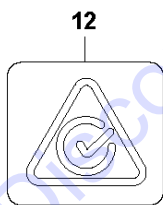
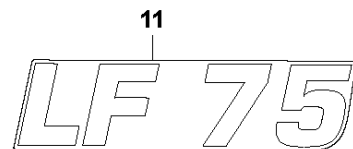
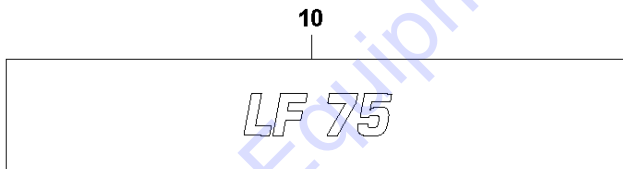
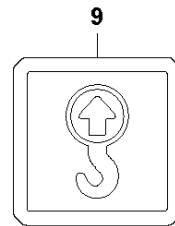
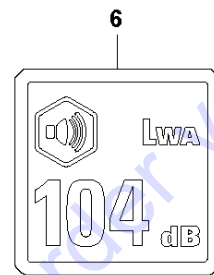
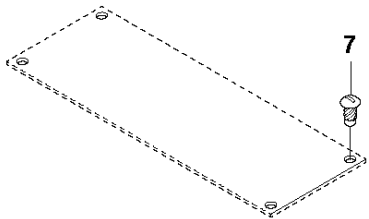
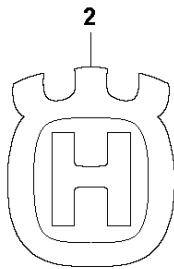
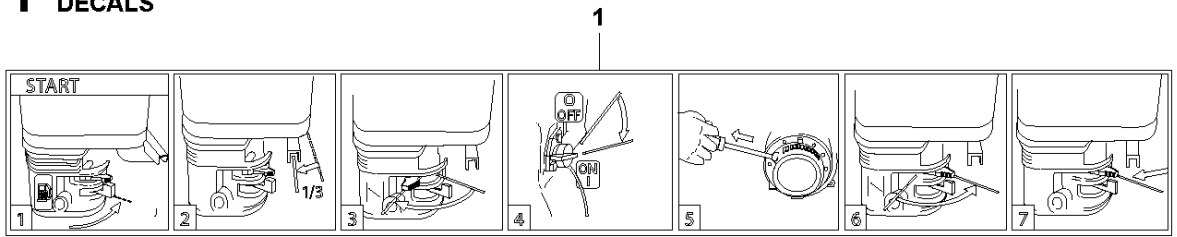
COSMETIC KIT

LF 75 /LF 75 LAT, 967854901, 967854902, 967896701, 967896702, 2019-06

Ref	Part No	Description	Remark	QTY KIT
1	594 21 90-02	SERVICE KIT	For LF 75 LAT	1

Go to Discount-Equipment.com to order your parts

Y LF 75 L / LF 75 LAT
DECALS



DECALS

LF 75 /LF 75 LAT, 967854901, 967854902, 967896701, 967896702, 2019-06

Ref	Part No	Description	Remark	QTY KIT
1	594 48 62-01	DECAL		1
2	574 38 21-01	DECAL	DECAL HUSQVARNA CROWN	1
5	594 48 63-01	DECAL		1
6	595 51 32-02	LABEL	LABEL Sound level Noise 104dB 40x40mm	1
7	595 18 02-01	SCREW		4
9	594 66 09-01	LABEL	LABEL Lifting Point	2
10	595 09 45-01	DECAL	DECAL LF 75 Model Code (HV for belt cover 158,4x24,4mm)	1
11	595 90 04-01	DECAL	DECAL Model code LF 75	1
12	596 28 02-01	DECAL	DECAL Compliance RCM	1
13	594 48 33-01	DECAL	No Lifting Point 45x45 mm	1
14	594 66 02-01	LABEL	Gasoline decal	1
15	595 18 61-01	DECAL	safety label -hot surfaces	1
16	595 09 42-01	DECAL	Husqvarna logo	1
17	594 65 96-01	LABEL	safety decal	1

Go to Discount-Equipment.com to order your parts

PARTS FINDER

**Search Website
by Part Number**



**Search Manual
Library For Parts
Manual & Lookup Part
Numbers – Purchase
or Request Quote**

Search Manuals

Enter your information to help us find the right parts manual for your machine.

* Brand:

* Model:

* Serial:

* Part Number:

SEARCH

**Can't Find Part or
Manual? Request Help
by Manufacturer,
Model & Description**

Parts Order Form

Please fill in the following information to help us find the right part for your machine.

Manufacturer:	<input type="text"/>
Model:	<input type="text"/>
Description:	<input type="text"/>
Part Number:	<input type="text"/>
Quantity:	<input type="text"/>
Notes:	<input type="text"/>

Submit

Discount-Equipment.com is your online resource for quality parts & equipment.

Florida: **561-964-4949** Outside Florida TOLL FREE: **877-690-3101**

Need parts?

Click on this link: <http://www.discount-equipment.com/category/5443-parts/> and choose one of the options to help get the right parts and equipment you are looking for. Please have the machine model and serial number available in order to help us get you the correct parts. If you don't find the part on the website or on one of the online manuals, please fill out the request form and one of our experienced staff members will get back to you with a quote for the right part that your machine needs.

We sell worldwide for the brands: Genie, Terex, JLG, MultiQuip, Mikasa, Essick, Whiteman, Mayco, Toro Stone, Diamond Products, Generac Magnum, Airman, Haulotte, Barreto, Power Blanket, Nifty Lift, Atlas Copco, Chicago Pneumatic, Allmand, Miller Curber, Skyjack, Lull, Skytrak, Tsurumi, Husquvarna Target, Stow, Wacker, Sakai, Mi-T-M, Sullair, Basic, Dynapac, MBW, Weber, Bartell, Bennar Newman, Haulotte, Ditch Runner, Menegotti, Morrison, Contec, Buddy, Crown, Edco, Wyco, Bomag, Laymor, EZ Trench, Bil-Jax, F.S. Curtis, Gehl Pavers, Heli, Honda, ICS/PowerGrit, IHI, Partner, Imer, Clipper, MMD, Koshin, Rice, CH&E, General Equipment, Amida, Coleman, NAC, Gradall, Square Shooter, Kent, Stanley, Tamco, Toku, Hatz, Kohler, Robin, Wisconsin, Northrock, Oztec, Toker TK, Rol-Air, APT, Wylie, Ingersoll Rand / Doosan, Innovatech, Con X, Ammann, Mecalac, Makinex, Smith Surface Prep, Small Line, Wanco, Yanmar