



Husqvarna®



Husqvarna K 535i

EN	Operator's manual	2-25
AR	دليل المشغل	26-47
EL	Οδηγίες χρήσης	48-73
ES	Manual de usuario	74-99
IT	Manuale dell'operatore	100-125
PT	Manual do utilizador	126-150

TO PURCHASE THIS PRODUCT PLEASE CONTACT US



**Equipment Financing and
Extended Warranties Available**



**Discount-Equipment.com is your online resource for
commercial and industrial quality parts and equipment sales.**

561-964-4949

visit us on line @ www.discount-equipment.com

Select an option below to find your Equipment

Search by Manufacturer

Search by Product Type

Request a Quote

We sell worldwide for the brands: Genie, Terex, JLG, MultiQuip, Mikasa, Essick, Whiteman, Mayco, Toro Stone, Diamond Products, Generac Magnum, Airman, Haulotte, Barreto, Power Blanket, Nifty Lift, Atlas Copco, Chicago Pneumatic, Allmand, Miller Curber, Skyjack, Lull, Skytrak, Tsurumi, Husquvarna Target, Stow, Wacker, Sakai, Mi-T-M, Sullair, Basic, Dynapac, MBW, Weber, Bartell, Bennar Newman, Haulotte, Ditch Runner, Menegotti, Morrison, Contec, Buddy, Crown, Edco, Wyco, Bomag, Laymor, EZ Trench, Bil-Jax, F.S. Curtis, Gehl Pavers, Heli, Honda, ICS/PowerGrit, IHI, Partner, Imer, Clipper, MMD, Koshin, Rice, CH&E, General Equipment, Amida, Coleman, NAC, Gradall, Square Shooter, Kent, Stanley, Tamco, Toku, Hatz, Kohler, Robin, Wisconsin, Northrock, Oztec, Toker TK, Rol-Air, APT, Wylie, Ingersoll Rand / Doosan, Innovatech, Con X, Ammann, Mecalac, Makinex, Smith Surface Prep, Small Line, Wanco, Yanmar

7. Blade rotation
8. SavE button
9. Start and stop button
10. Warning indicator
11. Rear handle with right hand guard
12. Rear ground support with a rope eyelet
13. Battery slot
14. Fan housing
15. Front handle
16. Belt guard
17. Front ground support
18. Type plate
19. Water connection with filter
20. Operator's manual
21. Combination wrench
22. Button, battery status
23. Battery status
24. Warning indicator
25. Battery release button
26. Battery (not included)

Symbols on the product



Risk of serious injury or death to the operator or others. Be careful and use the product correctly.



Read the manual carefully and make sure you understand the instructions before using the product.



Wear approved protective helmet, breathing protection, hearing and eye protection.



This product obey applicable EC Directives.



Fume from cutting can cause injuries if breathed in. Use an approved breathing protection. Prevent breathe exhaust fumes. Make sure that the airflow is sufficient.



Sparks from the cutting blade can cause fire in flammable materials such as: gasoline, wood, clothes and dry grass.



Kickbacks can be sudden, fast and can cause injuries. Read and understand the instructions in the manual before using the product.



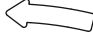
Make sure the blade is not cracked or damaged.



Do not use circular saw blades.

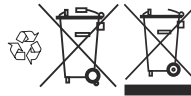


Environmental mark. The product or package of the product is not domestic waste. Recycle it at a recycling location for electrical and electronic equipment.

	Direction of blade rotation
yyyywwxxx	The rating plate shows serial number. yyyy is the production year, ww is the production week.
∅	Maximum outside blade diameter
d.c.	Direct Current
n	Rated speed

Note: Other symbols/decals on the product refer to certification requirements for some markets.

Symbols on the battery and/or on the battery charger



Recycle this product at a recycling station for electrical and electronic equipment. (Applies to Europe only)



Fail-safe transformer.



Use and keep the battery charger indoors only.



Double insulation.

Product liability

As referred to in the product liability laws, we are not liable for damages that our product causes if:

- the product is incorrectly repaired.
- the product is repaired with parts that are not from the manufacturer or not approved by the manufacturer.

- the product has an accessory that is not from the manufacturer or not approved by the manufacturer.
- the product is not repaired at an approved service center or by an approved authority.

Safety

Safety definitions

Warnings, cautions and notes are used to point out specially important parts of the manual.



WARNING: Used if there is a risk of injury or death for the operator or bystanders if the instructions in the manual are not obeyed.



CAUTION: Used if there is a risk of damage to the product, other materials or the adjacent area if the instructions in the manual are not obeyed.

Note: Used to give more information that is necessary in a given situation.

General power tool safety warnings



WARNING: Read all safety warnings and all instructions. Failure to follow the warnings and instructions may result in electric shock, fire and/or serious injury.

Note: Save all warnings and instructions for future reference. The term "power tool" in the warnings refers to your mains-operated (corded) power tool or battery-operated (cordless) power tool.

Work area safety

- **Keep work area clean and well lit.** Cluttered or dark areas invite accidents.
- **Do not operate power tools in explosive atmospheres, such as in the presence of flammable liquids, gases or dust.** Power tools create sparks which may ignite the dust or fumes.
- **Keep children and bystanders away while operating a power tool.** Distractions can cause you to lose control.

Electrical safety

- **Power tool plugs must match the outlet. Never modify the plug in any way. Do not use any adapter**

plugs with earthed (grounded) power tools.

Unmodified plugs and matching outlets will reduce risk of electric shock.

- **Avoid body contact with earthed or grounded surfaces, such as pipes, radiators, ranges and refrigerators.** There is an increased risk of electric shock if your body is earthed or grounded.
- **Do not expose power tools to rain or wet conditions.** Water entering a power tool will increase the risk of electric shock.
- **Do not abuse the cord.** Never use the cord for carrying, pulling or unplugging the power tool. Keep cord away from heat, oil, sharp edges or moving parts. Damaged or entangled cords increase the risk of electric shock.
- **When operating a power tool outdoors, use an extension cord suitable for outdoor use.** Use of a cord suitable for outdoor use reduces the risk of electric shock.
- **If operating a power tool in a damp location is unavoidable, use a residual circuit interrupter (RCD) protected supply.** Use of a RCD reduces the risk of electric shock



CAUTION: Do not pressure wash the machine, as water can enter the electrical system or the engine and cause damage to the machine or short circuit.

Personal safety

- **Stay alert, watch what you are doing and use common sense when operating a power tool. Do not use a power tool while you are tired or under the influence of drugs, alcohol or medication.** A moment of inattention while operating power tools may result in serious personal injury.
- **Use personal protective equipment. Always wear eye protection.** Protective equipment such as dust mask, non-skid safety shoes, hard hat, or hearing protection used for appropriate conditions will reduce personal injuries.
- **Prevent unintentional starting. Ensure the switch is in the OFF-position before connecting to a power source and/or battery pack, picking up or carrying the tool.** Carrying power tools with your finger on the switch or energising power tools that have the switch on invites accidents.

- **Remove any adjusting key or wrench before turning the power tool on.** A wrench or a key left attached to a rotating part of the power tool may result in personal injury.
- **Do not overreach. Keep proper footing and balance at all times.** This enables better control of the power tool in unexpected situations.
- **Dress properly. Do not wear loose clothing or jewellery. Keep your hair, clothing and gloves away from moving parts.** Loose clothes, jewellery or long hair can be caught in moving parts.
- **If devices are provided for the connection of dust extraction and collection facilities, ensure these are connected and properly used.** Use of dust collection can reduce dust-related hazards.
- **The vibration emission during actual use of the power tool can differ from the declared total value depending on the ways in which the tool is used.** Operators should identify safety measures to protect themselves that are based on an estimation of exposure in the actual conditions of use (taking account of all parts of the operating cycle such as the times when the tool is switched off and when it is running idle in addition to the trigger).
- **Remain at a distance from the blade when the engine is running.**
- **performed.** Use of the power tool for operations different from those intended could result in a hazardous situation.
- **Under no circumstances should you modify the original design of the machine without approval from the manufacturer.** Always use original spare parts. Unauthorized modifications and/or accessories may lead to serious injury or death to the user or others.
- **Make sure that no pipes or electrical cables are routed in the working area or in the material to be cut.**
- **Always check and mark out where gas pipes are routed.** Cutting close to gas pipes always entails danger. Make sure that sparks are not caused when cutting in view of the risk of explosion. Remain concentrated and focused on the task. Carelessness can result in serious personal injury or death.

Battery tool use and care

- **Recharge only with the charger specified by the manufacturer.** A charger that is suitable for one type of battery pack may create a risk of fire when used with another battery pack.
- **Use power tools only with specifically designated battery packs.** Use of any other battery packs may create a risk of injury and fire.
- **When battery pack is not in use, keep it away from other metal objects, like paper clips, coins, keys, nails, screws or other small metal objects, that can make a connection from one terminal to another.** Shorting the battery terminals together may cause burns or a fire.
- **Under abusive conditions, liquid may be ejected from the battery; avoid contact. If contact accidentally occurs, flush with water. If liquid contacts eyes, additionally seek medical help.** Liquid ejected from the battery may cause irritations or burns.

Power tool use and care

- **Do not force the power tool. Use the correct power tool for your application.** The correct power tool will do the job better and safer at the rate for which it was designed.
- **Do not use the power tool if the switch does not turn it on and off.** Any power tool that cannot be controlled with the switch is dangerous and must be repaired.
- **Disconnect the plug from the power source and/or the battery pack from the power tool before making any adjustments, changing accessories, or storing power tools.** Such preventive safety measures reduce the risk of starting the power tool accidentally.
- **Store idle power tools out of the reach of children and do not allow persons unfamiliar with the power tool or these instructions to operate the power tool.** Power tools are dangerous in the hands of untrained users.
- **Maintain power tools. Check for misalignment or binding of moving parts, breakage of parts and any other condition that may affect the power tool's operation. If damaged, have the power tool repaired before use.** Many accidents are caused by poorly maintained power tools.
- **Keep cutting tools sharp and clean.** Properly maintained cutting tools with sharp cutting edges are less likely to bind and are easier to control.
- **Use the power tool, accessories and tool bits etc. in accordance with these instructions, taking into account the working conditions and the work to be**

Service

- **Have your power tool serviced by a qualified repair person using only identical replacement parts.** This will ensure that the safety of the power tool is maintained.

Cut-off machine safety warning

- **The guard provided with the tool must be securely attached to the power tool and positioned for maximum safety so the least amount of wheel is exposed towards the operator.** Position yourself and bystanders away from the plane of the rotating wheel. The guard helps to protect operator from broken wheel fragments and accidental contact with the wheel.
- **Use only bonded reinforced or diamond cut-off wheels for your power tool.** Just because an accessory can be attached to your power tool, it does not assure safe operation.
- **The rated speed of the accessory must be at least equal to the maximum speed marked on the power**

tool. Accessories running faster than their rated speed can break and fly apart.

- **Wheels must be used only for recommended applications. For example, do not grind with the side of the cut-off wheel.** Abrasive cut-off wheels are intended for peripheral grinding, side forces applied to these wheels may cause them to shatter.
- **Always use undamaged wheel flanges that are of correct diameter for your selected wheel.** Proper wheel flanges support the wheel thus reducing the possibility of wheel breakage.
- **Do not use worn down reinforced wheels from larger power tools.** Wheels intended for a larger power tool are not suitable for the higher speed of a smaller tool and may burst.
- **The outside diameter and the thickness of your accessory must be within the capacity rating of your power tool.** Incorrectly sized accessories cannot be adequately guarded or controlled.
- **The arbour size of wheels and flanges must properly fit the spindle of the power tool.** Wheels and flanges with arbour holes that do not match the mounting hardware of the power tool will run out of balance, vibrate excessively and may cause loss of control.
- **Do not use damaged wheels. Before each use, inspect wheels for chips and cracks. If power tool or wheel is dropped, inspect for damage or install an undamaged wheel. After inspecting and installing the wheel, position yourself and bystanders away from the plane of the rotating wheel and run the power tool at maximum no load speed for one minute.** Damaged wheels will normally break apart during this test time.
- **Wear personal protective equipment. Depending on application, use face shield, safety goggles or safety glasses. As appropriate, wear dust mask, hearing protectors, gloves and shop apron capable of stopping small abrasive or workpiece fragments.** The eye protection must be capable of stopping flying debris generated by various operations. The dust mask or respirator must be capable of filtering particles generated by your operation. Prolonged exposure to high intensity noise may cause hearing loss.
- **Keep bystanders a safe distance away from work area. Anyone entering the work area must wear personal protective equipment.** Fragments of workpiece or a broken wheel may fly away and cause injury beyond immediate area of operation.
- **Hold the power tool by insulated gripping surfaces only, when performing an operation where the cutting accessory may contact hidden wiring.** Cutting accessory contacting a "live" wire may make exposed metal parts of the power tool "live" and could give the operator an electric shock.
- **Never lay the power tool down until the accessory has come to a complete stop.** The spinning wheel may grab the surface and pull the power tool out of your control.

- **Do not run the power tool while carrying it at your side.** Accidental contact with the spinning accessory could snag your clothing, pulling the accessory into your body.
- **Regularly clean the power tool's air vents.** The motor's fan will draw the dust inside the housing and excessive accumulation of powdered metal may cause electrical hazards.
- **Do not operate the power tool near flammable materials.** Sparks could ignite these materials.

Kickback and related warnings

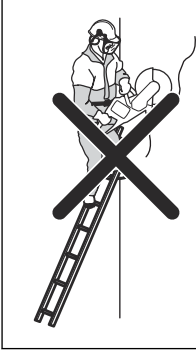

- **Kickback is a sudden reaction to a pinched or snagged rotating wheel.** Pinching or snagging causes rapid stalling of the rotating wheel which in turn causes the uncontrolled power tool to be forced in the direction opposite of the wheel's rotation at the point of the binding.
- **For example, if an abrasive wheel is snagged or pinched by the workpiece, the edge of the wheel that is entering into the pinch point can dig into the surface of the material causing the wheel to climb out or kick out.** The wheel may either jump toward or away from the operator, depending on direction of the wheel's movement at the point of pinching. Abrasive wheels may also break under these conditions.
- **Kickback is the result of power tool misuse and/or incorrect operating procedures or conditions and can be avoided by taking proper precautions as given below.**
- **Maintain a firm grip on the power tool and position your body and arm to allow you to resist kickback forces.** Always use auxiliary handle, if provided, for maximum control over kickback or torque reaction during start-up. The operator can control torque reactions or kickback forces, if proper precautions are taken.
- **Never place your hand near the rotating accessory.** Accessory may kickback over your hand.
- **Do not position your body in line with the rotating wheel.** Kickback will propel the tool in direction opposite to the wheel's movement at the point of snagging.
- **Use special care when working corners, sharp edges etc.** Avoid bouncing and snagging the accessory. Corners, sharp edges or bouncing have a tendency to snag the rotating accessory and cause loss of control or kickback.
- **Do not attach a saw chain, woodcarving blade, segmented diamond wheel with a peripheral gap greater than 10 mm or toothed saw blade.** Such blades create frequent kickback and loss of control.
- **Do not "jam" the wheel or apply excessive pressure.** Do not attempt to make an excessive depth of cut. Overstressing the wheel increases the loading and susceptibility to twisting or binding of the wheel in the cut and the possibility of kickback or wheel breakage.

- **When wheel is binding or when interrupting a cut for any reason, switch off the power tool and hold the power tool motionless until the wheel comes to a complete stop.** Never attempt to remove the wheel from the cut while the wheel is in motion otherwise kickback may occur. Investigate and take corrective action to eliminate the cause of wheel binding.
- **Do not restart the cutting operation in the workpiece.** Let the wheel reach full speed and carefully re-enter the cut. The wheel may bind, walk up or kickback if the power tool is restarted in the workpiece.
- **Support panels or any oversized workpiece to minimize the risk of wheel pinching and kickback.** Large workpieces tend to sag under their own weight. Supports must be placed under the workpiece near the line of cut and near the edge of the workpiece on both sides of the wheel.
- **Use extra caution when making a "pocket cut" into existing walls or other blind areas.** The protruding wheel may cut gas or water pipes, electrical wiring or objects that can cause kickback.

General safety instructions



WARNING: Read the warning instructions that follow before you use the product.

- This product is a dangerous tool and can cause serious injury if it is not used careful or if used incorrectly. It is very important that you read and understand the contents of this manual.
 - Do not change the product without an approval from the manufacturer. Do not use a product that has been changed by others and always use original accessories. Changes that are not approved from the manufacturer can result in serious injury or death to the operator or others.
 - Keep the product clean. Signs and decals must be fully visual.
 - This product produces an electromagnetic field during operation. This field may under some circumstances interfere with active or passive medical implants. To decrease the risk of serious injury or death, we recommend persons with medical implants to turn to their physician and the medical implant manufacturer before operating this product.
- 


Safety instructions for operation



WARNING: Read all safety warnings and all instructions. Failure to follow the warnings and instructions may result in electrical shock, fire and/or serious injury.

- Do not cut asbestos materials.
- When dry cutting, make sure the dust is removed safely.
- The information in this manual is not a replacement for professional knowledge and experience. If you do

not feel safe in the situation that you are in, stop the product. Do not use the product in unknown situations.

- Turn to Discount-equipment if you have questions about the operation of the product. We can give you information about how to operate your product safely with best result.
- Do not use a product, battery or battery charger that is defective.
- Do not touch a rotating cutting blade. It can cause serious injuries or death.
- Do not use the product in bad weather, for example, heavy fog or rain, strong wind and intense cold. Bad weather add risks such as ice on the ground.
- Do not start a product unless all covers and guards are assembled correctly.
- Look around you. Make sure that there is no risk that persons or animals touch or influence on your control of the product.
- Do not let children use or be near the product. The product is easy to start. This can mean a risk of serious injury.
- Remove the battery when you do not have full view of the product. Remove the battery if you will not use the product for a long time.
- You must be stable on your feet in order to have full control of the product. Do not use the product if you are on a ladder. Do not use the product if you are not on stable ground.
- Do not use the product above shoulder height.

- If you are not careful, the risk of kickback increases.



- Do not hold the product with one hand. This product is not safely controlled with one hand.
- Do not use a product in a situation where you can not get for support if an accident occurs.
- Make sure that you can move around safely. Examine the conditions and the terrain around you for possible obstacles.
- Overexposure to vibration can lead to circulatory damage or nerve damage in people who have impaired circulation. Contact your doctor if you experience symptoms of overexposure to vibration. Such symptoms include numbness, loss of feeling, tingling, pricking, pain, loss of strength, changes in skin colour or condition. These symptoms normally appear in the fingers, hands or wrists. These symptoms may be increased in cold temperatures.
- It is not possible to include each possible situation you can face when you use this product. Always be careful and use your common sense.

- **Note:** After operating the tool, hearing protection must be lifted immediately when sawing is completed to hear sounds and warning signals can be heard.

Personal protective equipment



WARNING: Read all safety warnings and all instructions. Failure to follow the warnings and instructions may result in electrical shock, fire and/or serious injury.

- You must use approved personal protective equipment during operation. Personal protective equipment does not give you full protection from injuries but it decreases the degree of injury if an accident occurs. Speak to your servicing dealer for recommendations about which equipment to use.
- Your clothing must be close-fitting but not limit your movements. Regularly do a check of the condition of the personal protective equipment.
- Use an approved protective helmet.

- Use approved respiratory protection.
- Use approved hearing protection. Long-term exposure to noise can result in permanent damage to the hearing.
- Use protective glasses or a face visor to decrease the risk of injury from particles and dust. This can result in serious injury, especially to the eyes.
- Use heavy duty protective gloves.
- Use boots with steel toe-cap and non-slip sole.
- Always have a first aid kit with you.

Safety devices on the product

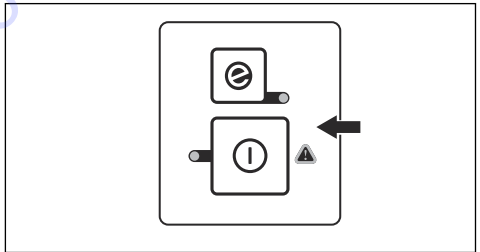


WARNING: Read all safety warnings and all instructions. Failure to follow the warnings and instructions may result in electrical shock, fire and/or serious injury.

- Do not use a product with damaged safety components. The safety equipment must go through inspection and maintenance regularly. Turn to your servicing dealer for repair if an inspection of a safety device is not approved.

Keypad

The warning indicator flashes if there is a risk of overload. The overload protection temporarily stops the product and you can not use the product until the temperature restores. If the indicator shows a solid light, turn to your servicing dealer.



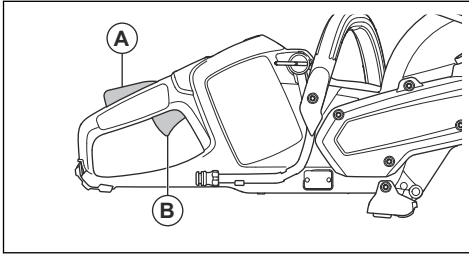
The automatic stop function

The product has an automatic stop function that stops the product if you do not use it for one minute.

Power trigger lockout

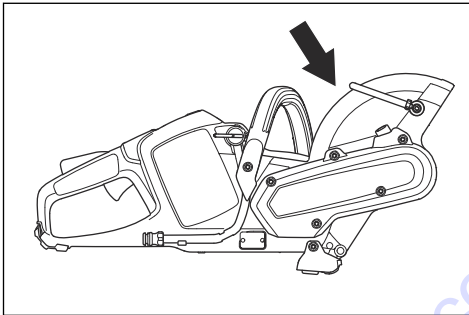
The power trigger lockout prevents accidental operation of the power trigger. If you put your hand around the handle and press the power trigger lockout (A), it releases the power trigger (B). If you release the handle,

the power trigger and the power trigger lockout move back to their initial positions.



Blade guard

The blade guard protects the cutting particles to damage the user. The protection prevents parts from loosening and damaging the user



Battery safety



WARNING: Read all safety warnings and all instructions. Failure to follow the warnings and instructions may result in electrical shock, fire and/or serious injury.

- Only use the Husqvarna BLi batteries that we recommend for your product. The batteries are software encrypted.
- Use the Husqvarna BLi batteries that are rechargeable as a power supply for the related Husqvarna products only. To prevent injury, do not use the battery as a power supply for other devices.
- Risk of electrical shock. Do not connect the battery terminals to keys, screws or other metal. This can cause a short circuit of the battery.
- Do not use batteries that are non-rechargeable.
- Do not put objects into the air slots of the battery.
- Keep the battery away from sunlight, heat or open flame. The battery can blow up and cause burns and/or chemical burns.
- Keep the battery away from rain and wet conditions.
- Keep the battery away from microwaves and high pressure.

- Do not try to disassemble or break the battery.
- Do not let battery acid touch your skin. Battery acid causes injuries to the skin, corrosion and burns. If you get battery acid in your eyes, do not rub but flush with water for minimum 15 minutes. If battery acid has touched your skin, you must clean the skin with a large quantity of water and soap. Get medical aid.
- Use the battery in temperatures between -10 °C (14 °F) and 40 °C (104 °F).
- Do not clean the battery or the battery charger with water. See *To clean the battery and the battery charger on page 20.*
- Do not use a defective or damaged battery.
- Keep batteries in storage away from metal objects such as nails, screws or jewelry.
- Keep the battery away from children.

Battery charger safety



WARNING: Read all safety warnings and all instructions. Failure to follow the warnings and instructions may result in electrical shock, fire and/or serious injury.

- Risk of electrical shock or short circuit if the safety instructions are not obeyed.
- Do not use other battery chargers than the one supplied for your product. Only use Husqvarna QC chargers when you charge Husqvarna replacement batteries BLi.
- Do not try to disassemble the battery charger.
- Do not use a defective or damaged battery charger.
- Do not lift the battery charger by the power cord. To disconnect the battery charger from a mains socket, pull out the plug. Do not pull the power cord.
- Keep all cables and extension leads away from water, oil and sharp edges. Make sure that the cable is not caught between doors, fences or equivalent.
- Do not use the battery charger near flammable materials or materials that can cause corrosion. Make sure that the battery charger is not covered. Pull out the plug to the battery charger if there is smoke or fire.
- Only charge the battery indoors in a location with good airflow and away from sunlight. Do not charge the battery outdoors. Do not charge the battery in wet conditions.
- Only use the battery charger where the temperature is between 5 °C (41 °F) and 40 °C (104 °F). Use the charger in an environment which has a good airflow, dry and free from dust.
- Do not put objects into the air slots of the battery charger.
- Do not connect the battery charger terminals to metal objects as this can short circuit the battery charger.

- Do not charge non-rechargeable batteries in the battery charger or use them in the machine.
- Use approved mains sockets that are not damaged.

Safety instructions for maintenance



WARNING: Read the warning instructions that follow before you do maintenance on the product.

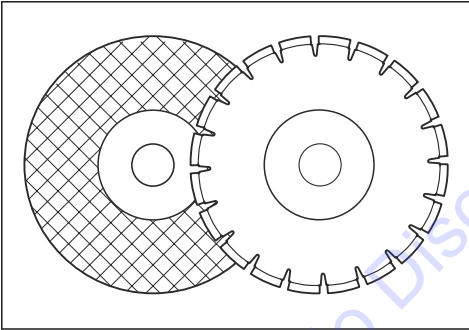
- Remove the battery before you do maintenance, other checks or assemble the product.
- The operator must only do the maintenance and servicing shown in this operator's manual. Turn to your servicing dealer for maintenance and servicing of a larger extension.

- Do not clean the battery or the battery charger with water. Strong detergent can cause damage to the plastic.
- If you do not do maintenance, it decreases the life cycle of the product and increases the risk of accidents.
- Special training is necessary for all servicing and repair work, especially for the safety devices on the product. If not all checks in this operator's manual are approved after you have done maintenance, turn to your servicing dealer. We guarantee that there are professional repairs and servicing available for your product.
- Only use original spare parts.

Assembly

Applicable cutting blades

Cutting blades for Husqvarna K 535i are available in two basic models: abrasive blades and diamond blades.



Cutting blades for handheld high speed power cutters



WARNING: Only use diamond blades and abrasive blades for concrete. Do not use blades with serrations such as circular wood cutting blades or blades with carbide tips. The risk of kickback is increased and carbide tips can come off and be thrown at high speed. This can result in injury or death.



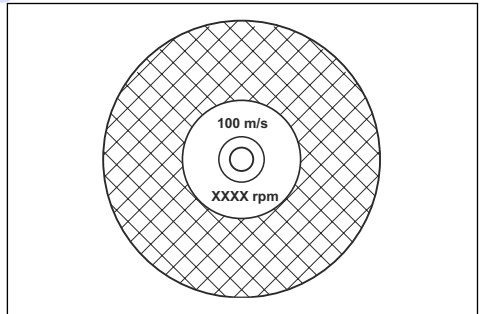
WARNING: Incorrect use can cause the blade to become too hot. A blade that is too hot can cause malfunction, which can cause damage and injury.



WARNING: Do not use a cutting blade with a lower maximum speed than that of the power cutter. Only use cutting blades that are in compliance with national or regional standards.

Note: Only cut materials approved in the instruction supplied with the blade.

Check that the blade is approved for the same or higher speed written on the type plate of the power cutter.



Blade vibration



CAUTION: If you use the product with too much force, the blade can get too hot, bend and cause vibrations. Use the product with less force. If the vibrations continues, replace the blade.

Abrasive blades



WARNING: Do not use abrasive blades with water. The strength is impaired when abrasive blades are exposed to water or moisture, which results in an increased risk of the blade breaking.

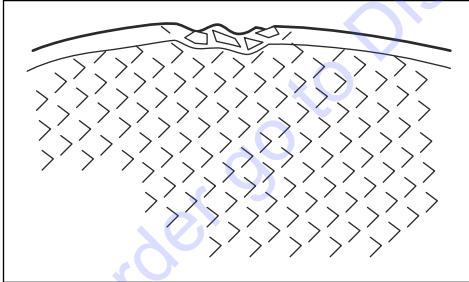


CAUTION: Cutting with abrasive blade is not allowed with the Vac attachment. Use of abrasive blades causes unnatural wear on the Vac attachment.

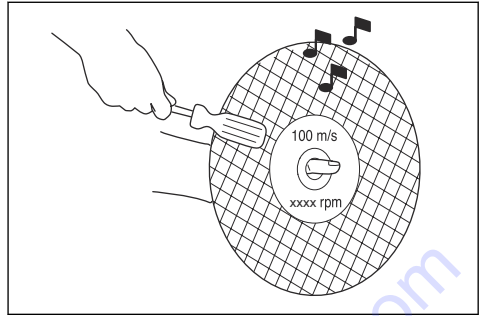


CAUTION: Do not use abrasive blades with thickness exceeding maximum recommended thickness, refer to *Technical data on page 23*

- Do not use worn reinforced wheels from larger power tools. Wheels intended for a larger power tool are not suitable for the higher speed of a smaller tool and may burst.
- The cutting material on abrasive blades consists of a grit bonded agent using an organic binder. Reinforced blades are made up of a fabric or fibre base that prevents total breakage at maximum working speed if the blade should be cracked or damaged.
- A cutting blade's performance is determined by the type and size of abrasive corn, and the type and hardness of the bonding agent.
- Ensure the cutting blade is not cracked or damaged.



- Test the abrasive blade by hanging it on your finger and tapping it lightly with a screwdriver or the like. If the blade does not produce a resonant, ringing sound it is damaged.



- Ensure that correct abrasive blade is used on the intended material.

Diamond blades



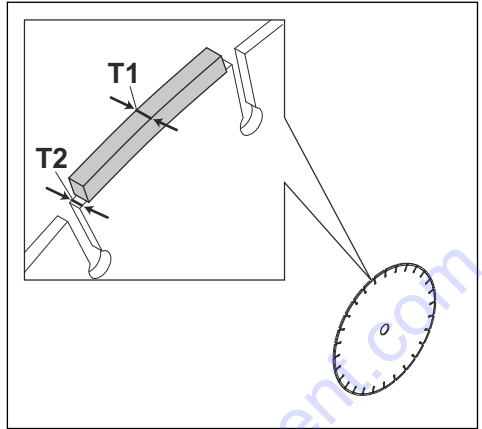
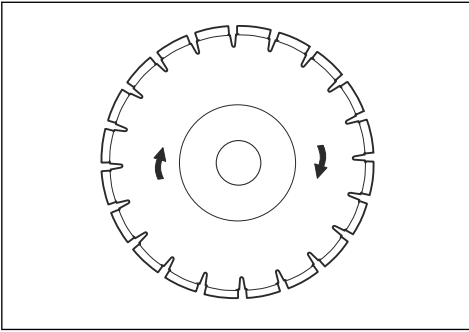
WARNING: Never use a diamond blade to cut plastic material. The heat produced during cutting may melt the plastic and it can stick to the cutting blade and cause a kickback.



WARNING: Diamond blades become very hot when used. An overheated blade is a result of improper use, and may cause deformation of the blade, resulting in damage and injuries.

Note: Sharpen the blade by cutting soft material such as sandstone or block.

- Always use a sharp diamond blade.
- Diamond blades can become dull when the wrong feeding pressure is used or when cutting certain materials such as heavily reinforced concrete. Working with a dull diamond blade causes overheating, which can result in the diamond segments coming loose.
- Diamond blades consist of a steel core provided with segments that contain industrial diamonds.
- Diamond blades are ideal for masonry, concrete and other composite materials.
- When using diamond blade make sure that it rotates in the direction indicated by the arrow on the blade.



Wet cutting



CAUTION: Do not use Vac equipment together with the wet system.

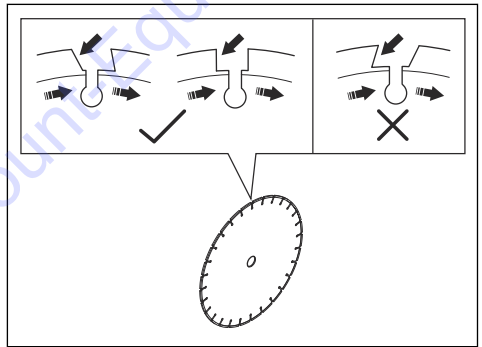
- Diamond blades for wet cutting must be used with the wet system.
- Water cool the blade and increases its service life while also decrease the dust.
- When wet cutting, make sure to collect the waste water safely.



CAUTION: Do not use diamond blades with positive rake angles.

Dry cutting

- When dry cutting, lift the blade out from the cut each 30–60 seconds and let it rotate in the air for 10 seconds to let it cool.
- Use Vac equipment if possible.



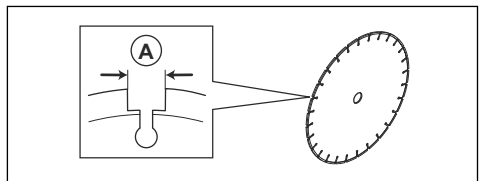
Diamond blade - requirements



WARNING: Make sure the diamond segment (T1) is wider than the blade (T2). This is to prevent pinching in the cutting slot and a kickback.



CAUTION: Do not use diamond blades with greater gap between segments than max 10 mm (A).



CAUTION: Do not use diamond blades with greater blade thickness than recommended maximum, refer to *Technical data on page 23*.



CAUTION: Some cutting situations and worn blades may cause increased wear on the side of the segments. Replace the blade before it is worn out.

To examine the spindle shaft and flange washers

Examine the flange washers and the spindle shaft when the blade is replaced.



CAUTION: Use only flange washers supplied by Husqvarna with minimum diameter 60 mm/2.4 in.

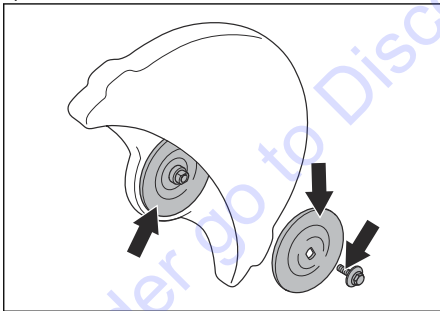


CAUTION: Do not use damaged, defective or dirty flange washers.



CAUTION: Do not use different dimensions of flange washers.

- Make sure that the threads on the spindle shaft are not damaged.
- Make sure that the surfaces on the blade and the flange washers are not damaged, of the correct dimension, clean, and that they run correctly on the spindle shaft.

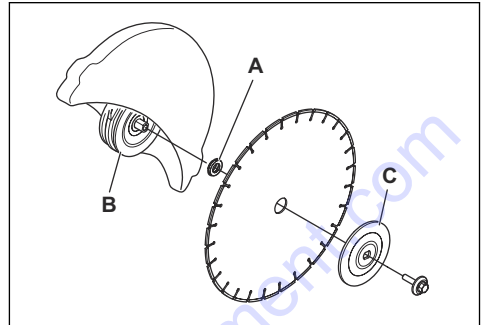


To examine the arbor bushing

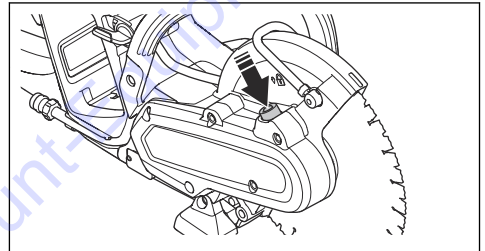
- Use only Husqvarna arbor bushings.
- Make sure that the arbor bushing has the correct dimension for the cutting blade. The correct dimension is printed on the cutting blade.

To attach the cutting blade

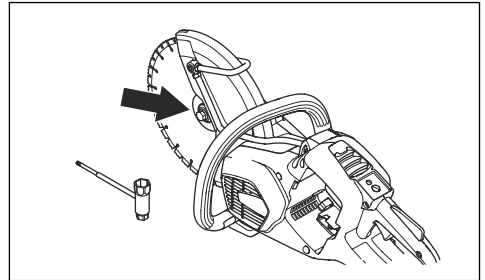
1. The cutting blade is put on the bushing (A) between the inner flange washer (B) and the flange washer (C). The flange washer is turned to attach to the axle.



2. Lock the shaft.



3. Tighten the bolt. The tightening torque for the bolt holding the cutting blade is 30 Nm (18,5 ft-lbs).



To examine the blade and the blade guard



WARNING: A damaged cutting blade can cause injury.

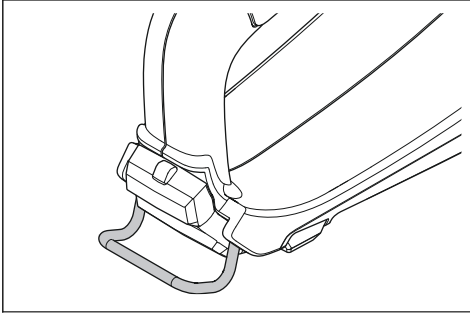
1. Make sure that the cutting blade is attached correctly and does not show signs of damage.
2. Make sure that the blade guard has no cracks or is damaged.

3. Replace the blade guard if it is damaged. See *To attach the cutting blade on page 13*

Rope eyelet

The product has a rope eyelet. The rope eyelet can be used to lift and lowering the product. Attach an applicable strop to the rope eyelet to use it for lift and lowering.

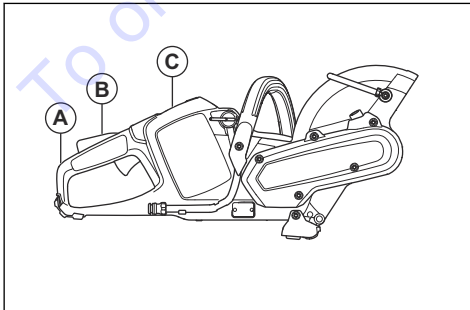
The rope eyelet can be used to attach the product to a solid object to prevent it from fall and damage persons or equipment.



Operation

To do a function check before you use the product

1. Do a check of the rear right hand guard (A) to make sure that it is not damaged.
2. Do a check of the power trigger lockout (B) to make sure that it operates correctly and that it is not damaged.
3. Do a check of the keypad (C) to make sure that it operates correctly.
4. Do a check to make sure that all parts and guards are correctly attached and not damaged or missing.
5. Charge the battery and make sure that it is correctly attached to the product.
6. Make sure that the power cutter stops when you release the power trigger.



To connect the battery charger

1. Connect the battery charger to the voltage and frequency that is specified on the rating plate.
2. Put the plug in a grounded socket outlet. The LED on the battery charger flashes green one time.

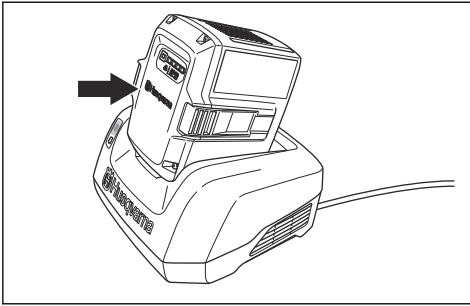
Note: The battery does not charge if the battery temperature is more than 50 °C/122 °F. If the temperature is more than 50 °C/122 °F, the battery charger makes the battery become cool before the battery charges.

To connect the battery to the battery charger

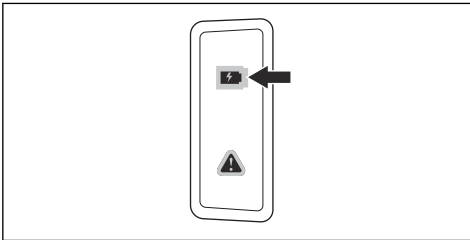
Note: Charge the battery if it is the first time that you use it. A new battery is only 30% charged.

1. Make sure that the battery is dry.

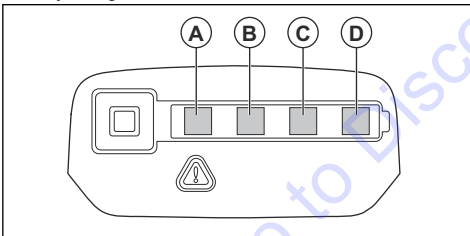
- Put the battery in the battery charger.



- Make sure that the green charging light on the battery charger comes on. That means that the battery is connected correctly to the battery charger.



- When all LEDs on the battery come on, the battery is fully charged.

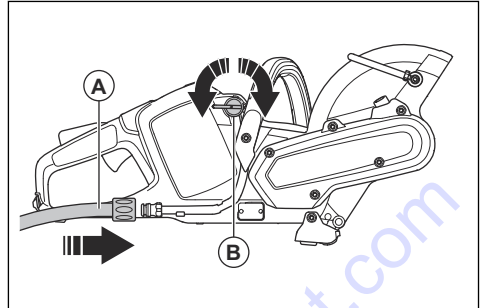


- To disconnect the battery charger from the mains socket, pull the plug. Do not pull the cable.
- Remove the battery from the battery charger.

Note: Refer to the battery and battery charger manuals for more information.

To connect coolant water

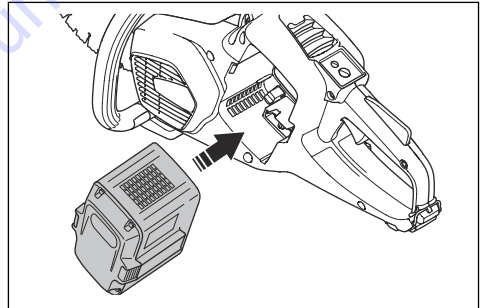
- Connect the water hose to the water supply (A).



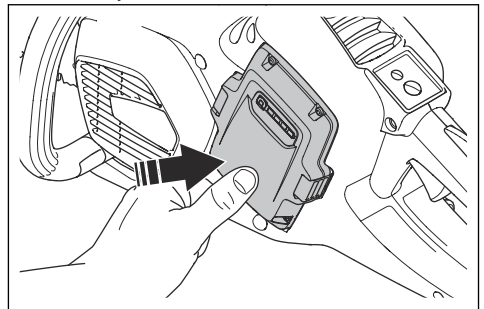
- Turn the water tap (B) to let the water go or stop.
- Examine if leakage occurs in the water connection or the hose.
- Make sure water pressure do not go by maximum permitted water pressure, refer to *Technical data*.

To start the product

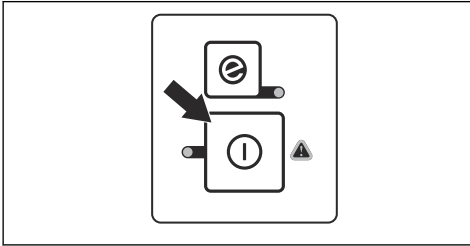
- Do a check of the power trigger and power trigger lockout. See *To do a check of the power trigger lockout on page 20*.
- Put the battery in the battery holder.



- Press on the lower part of the battery until you hear a click sound. If the battery does not move into the battery holder easily, it is not attached correctly into the battery holder.



4. Press and hold the start/stop button until the green LED light comes on.

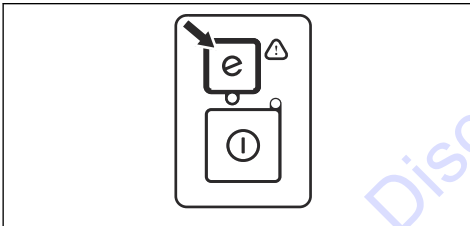


To use the SavE function

This product has a power saving function, SavE. The SavE function decreases the blade speed and gives the longest operation time from the battery.

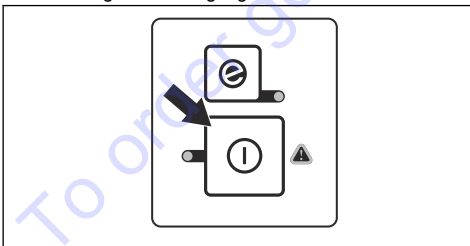
Note: The SavE function does not decrease the cutting power of the product.

1. Press the SavE button on the keypad.
2. Make sure that the green LED comes on.
3. Press the SavE button again to disconnect the function. The green LED goes out.

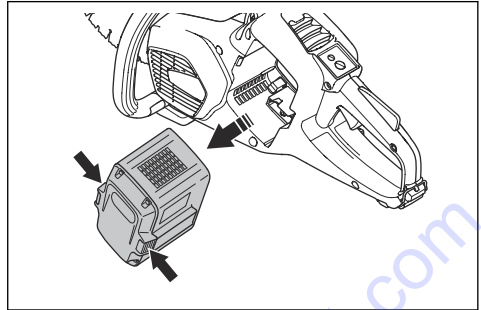


To stop the product

1. Press and hold the start/stop button on the keypad until the green LED light goes out.



2. Press the battery release buttons and remove the battery from the battery holder.



WARNING: Remove the battery when you do not use or when you do not have full vision of the product. This is to prevent accidental start.

Basic working techniques



WARNING: Do not move the power cutter to the side. This can prevent the free movement of the blade and cause the blade to break, which can cause an injury.

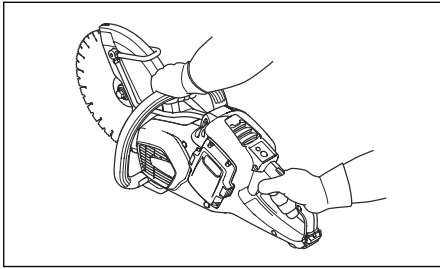


WARNING: Do not use the side of the blade. The blade can become damaged and broken, which can cause an injury. Use only the cutting edge.

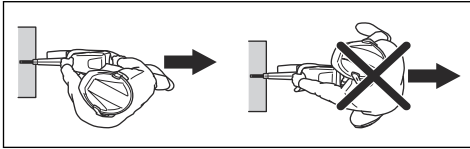


WARNING: Do not use a diamond blade to cut plastic material. The heat that occurs can melt the plastic. Melted plastic can attach to the cutting blade and cause a kickback.

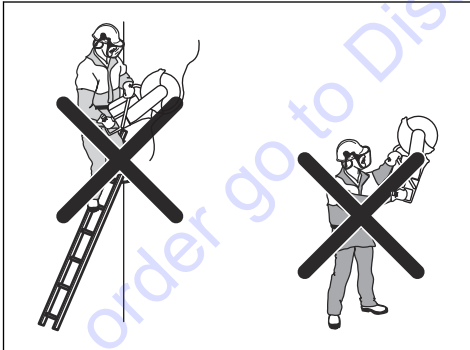
- The product is made for high speed diamond blades approved for handheld power cutters.
- The product is made to cut in to tiles, light concrete and stone. Use only for this type of operation.
- Make sure that the cutting blade does not show signs of damage and that it is attached correctly, see *Abrasive blades on page 11* and *To attach the cutting blade on page 13*.
- Make sure to use the correct cutting blade for the type of operation, see *Cutting blades for handheld high speed power cutters on page 10*.
- Do not cut asbestos material.
- Always hold the power cutter with 2 hands. Always hold the product tightly with thumbs and fingers around the handles. Always hold the rear handle with the right hand and the front handle with the left hand.



- Always be parallel to the cutting blade. Do not be linearly behind the cutting blade. If there is a kickback, the power cutter moves in the plane of the cutting blade.

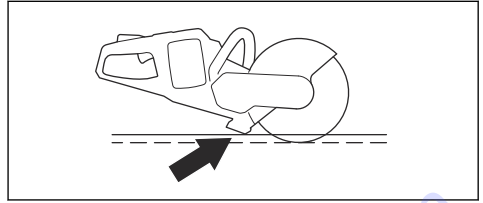


- Keep a safe distance to the cutting blade when the engine operates.
- Make sure that you are in a stable position during operation.
- Keep applicable distance from the object you are cutting.
- Do not operate above shoulder height. Use a platform or scaffold if the cutting operation is above shoulder height. Do not overreach.
- Do not operate from a ladder.

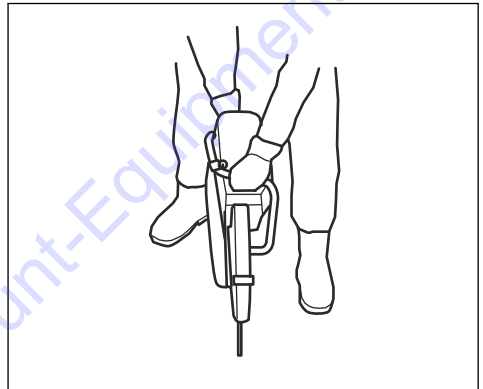


- Make sure that the cutting blade is free when the engine is started.
- Always monitor the product when the engine operates.
- Do not move the product when the cutting blade rotates. The product has an electrical retarder to decrease the blade stop time.
- Make sure that the front ground support is flush with the work piece at the rear. The blade guard collects

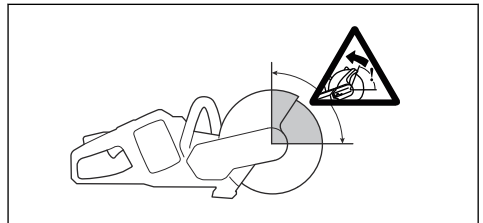
spray and dust and moves them away from the operator.



- Cut with full throttle. Keep full rotating speed until the cutting operation is completed.
- Push the cutting blade lightly against the object you are cutting. Do not use force.
- Align the cutting blade with the cut.



- Move the cutting blade slowly forward and rearward to decrease the area between the cutting blade and the material. This decreases the temperature of the cutting blade.



- Do not cut with the kickback zone of the blade, see *Kickback on page 17.*

Kickback



WARNING: Kickbacks are sudden and can be very dangerous. The product can be moved up and rearward in the direction of the operator in a rotating movement. Injury or death is a possible result of a kickback. Make sure you understand the causes of

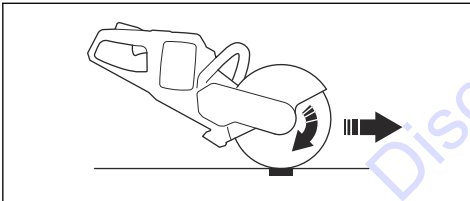
kickbacks and how to prevent them before you use the product.

A kickback occurs when the blade is pinched in the kickback zone. Usually they are not dangerous but a strong kickback can cause injury or death.



Reactive force

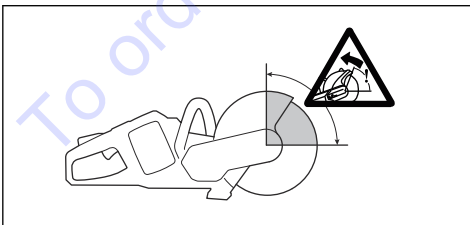
- A reactive force pulls the product in the opposite direction of the blade movement. Most of the time this force is not strong. If the blade is pinched the strength of the reactive force can cause a kickback.



- Do not tilt the product when the cutting equipment rotates. Centrifugal forces can decrease movement.

Kickback zone

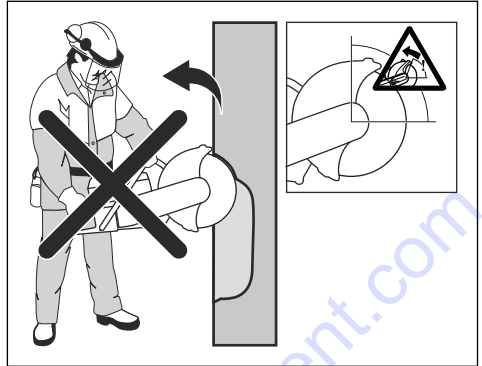
- Do not cut with the kickback zone of the cutting blade. If the blade is pinched in the kickback zone, the reactive force rotates the product up and back. It can hit the operator and can result in injury or death.



Climbing kickback,

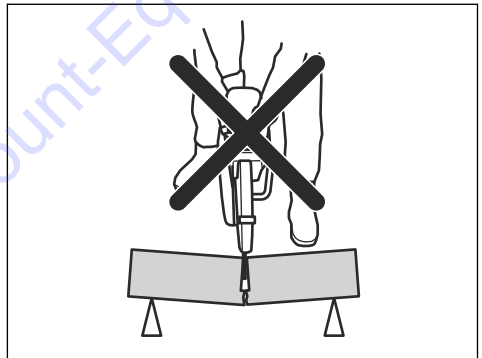
- Do not use the kickback zone. When the kickback zone is used for cutting, the reactive force moves the

blade up into the cut. Use the lower part of the blade to prevent climbing kickback.



Pinching kickback

- A blade is pinched when the cut closes and stops the turning of the blade. If the blade is pinched, the strength of the reactive force can cause loss a kickback.



- Make sure that the work piece is held to keep the cut open during a cutting operation. Make an estimate of the possible movement of the work piece during last phase of the cutting operation. Make sure that the cut opens during the cutting operation. A cut that closes can cause a pinching kickback.

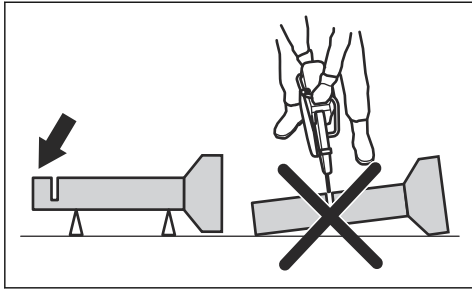
To cut into pipes



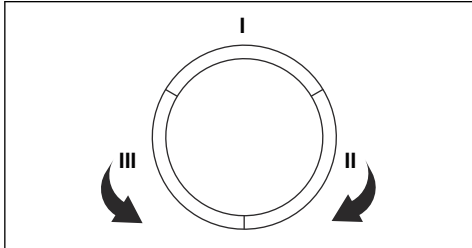
WARNING: If the blade is pinched in the kickback zone it will cause a kickback.

Be careful when cutting in pipes. The pipe is must kept in place correctly and the cut kept open through out the cutting. If not, the blade can be pinched. Be especially careful when cutting a pipe with a bell end or a pipe in a ditch. If it does not have correct support the blade can be pinched.

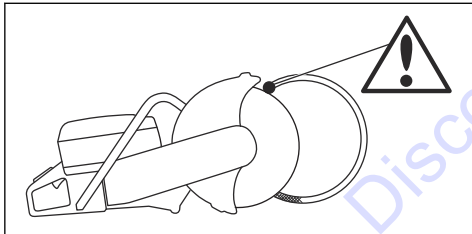
1. Make sure the pipe does not move during cutting.



2. Cut with section "I".



3. Make sure that the cut opens to prevent pinching.



4. Move to side II and cut from section I to the bottom of the pipe.
5. Move to side III and cut the remaining part of the pipe.
6. Make sure the pipe is kept in place correctly. The end of the pipe must move down during the cutting.

To prevent pinching

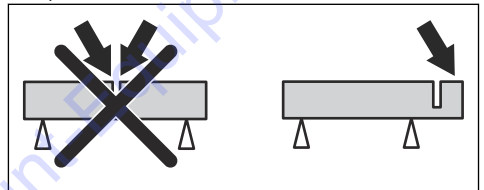


WARNING: Do not let the cut close during a cutting operation. A cut that closes can cause pinching, which can cause a kickback or damage to the cutting blade.



WARNING: Be careful when the cutting blade is put in a cut that was there before.

- Make sure that the work piece cannot move during a cutting operation.
- Make sure that the work piece is held to keep the cut open during a cutting operation.
- Make an estimate of the possible movement of the work piece during the last phase of the cutting operation.
- Make sure that the cut opens during the cutting operation.



To manage dust

- The product has a low flushing water kit. Use wet cutting when possible. See instructions in *To connect coolant water on page 15*. The correct flow is different for different types of tasks. If the water hose comes off at the supply source, the supplied water pressure can be too high. See *Technical data on page 23* for recommended water pressure.
- Adjust the water flow with the valve.

Maintenance

Introduction



WARNING: Read and understand the safety chapter before you do maintenance work on the product.



WARNING: Remove the battery before you do maintenance on the product.

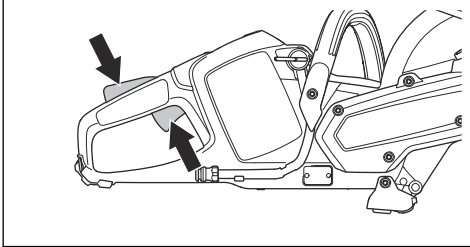


WARNING: Failure to do maintenance correctly can decrease the product life cycle and increase the risk of accidents. All servicing and/or repair work must also be done by a professional. Turn to your servicing dealer for more information.

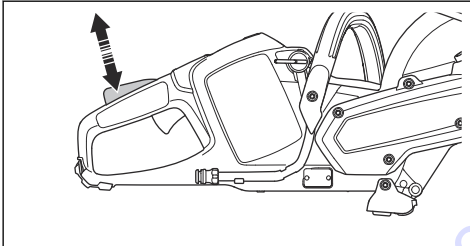
Maintenance and checks of the safety devices on the product

To do a check of the power trigger lockout

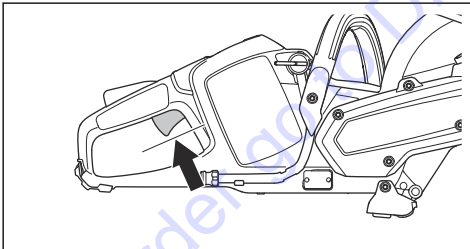
1. Make sure that the power trigger and power trigger lockout move freely and that the return spring works correctly.



2. Press down the power trigger lockout and make sure that it goes back to its initial position when you release it.



3. Make sure that the power trigger is locked at the idle position when the power trigger lockout is released.

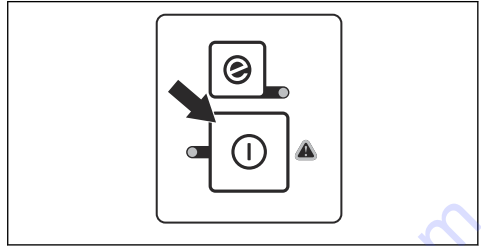


4. Start the product and apply full power.
5. Release the power trigger and make sure that the cutting blade stops. If the cutting blade rotates when the power trigger is in the idle position, turn to your servicing dealer.

To do a check of the keypad

1. Start the product. See *To do a check of the power trigger lockout on page 20*
2. Press the start/stop button again.

3. Make sure that the product stops when you press and hold the button. The green LED will go off.



To clean the battery and the battery charger

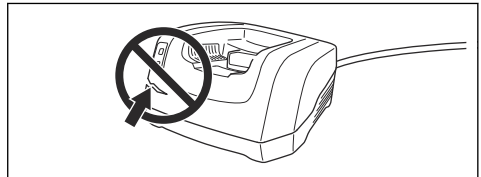


CAUTION: Do not clean the battery or the battery charger with water.

- Make sure that the battery and the battery charger are clean and dry before you put the battery into the battery charger.
- Clean the battery terminals with compressed air or use a soft and dry cloth.
- Clean the surfaces of the battery and the battery charger with a soft and dry cloth.

To do a check of the battery charger

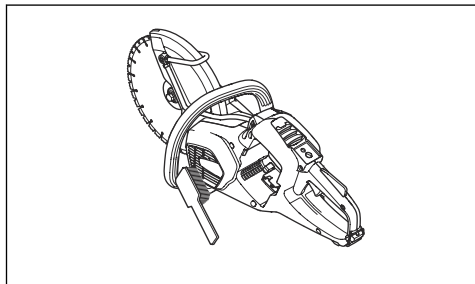
1. Make sure that the battery charger and the power supply cord are not damaged. Look for cracks and other defects.



To clean the cooling system

The product has a cooling system that keeps the temperature of the product as low as possible.

The cooling system includes an air intake on the left side of the product and a fan on the motor.



1. Clean the cooling system with a brush weekly or more frequently if necessary.
2. Make sure that the cooling system is not dirty or blocked.



CAUTION: A dirty or blocked cooling system can cause the product to become too hot.

Maintenance schedule



WARNING: Remove the battery before you do maintenance.

The following is a list of the maintenance steps that you must do on the product.

Maintenance	Before use	Weekly	Monthly
Clean the external parts of the product.	X		
Make sure that the power trigger and the power trigger lockout function correctly from a safety point of view.	X		
Do a check of the cutting blade. Look for cracks and make sure that the cutting blade is not unusually worn. Replace if necessary.	X		
Clean the fan housing on the product.	X		
Make sure that the screws and nuts are tight.	X		
Make sure that the keypad works correctly and that it is not damaged.	X		
Do a check of the connections between the battery and the product. Do a check of the connection between the battery and the battery charger.			X
Blow through the product and battery soft with compressed air.			X

Troubleshooting

Keypad

Problem	Cause	Solution
Warning indicator flashing.	Temperature deviation.	Let the product to cool down.
	Overload. Cutting attachment is clogged.	Clean the cutting attachment.
	The power trigger and the start button are pressed at the same time.	Release the power trigger.

Problem	Cause	Solution
Green LED flashing.	Low battery voltage.	Charge the battery.
Warning indicator is on.	Service.	Turn to your servicing dealer.

Battery

Problem	Cause	Solution
Warning indicator flashing.	The battery is not charged.	Charge the battery.
	Temperature deviation.	Use the battery in an environment where temperature are between -10 °C/14°F and 40°C/104°F.
	To high voltage.	Check that the voltage on the battery is the same as the voltage on the rating plate on the product. Remove the battery from the battery charger.
Warning indicator is on.	Battery cells difference is too much (1V).	Turn to your servicing dealer.

Battery charger

Problem	Casue	Solution
Warning indicator flashing.	Temperature deviation.	Use the battery an environment where temperatures are between 5°C/41°F and 40°C/104°F.
Warning indicator is on.		Turn to your servicing dealer.

Transportation, storage and disposal

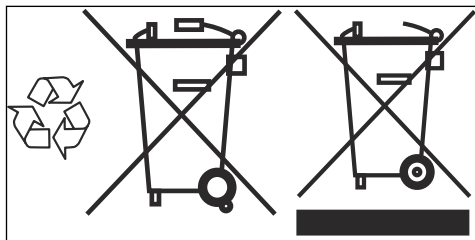
Transportation and storage

- The supplied Li-ion batteries obey the Dangerous Goods Legislation requirements.
- Obey the special requirement on package and labels for commercial transportation, including by third parties and forwarding agents.
- Speak to a person with special training in dangerous material before you send the product. Obey all applicable national regulations.
- Use tape on open contacts when you put the battery in a package. Put the battery in the package tightly to prevent movement.
- Remove the battery for storage or transportation.
- Put the battery and the battery charger in a space that is dry and free from moisture and frost.
- Do not keep the battery in an area where static electricity can occur. Do not keep the battery in a metal box.
- Put the battery in storage where the temperature is between 5 °C (41 °F) and 25 °C (77 °F) and away from open sunlight.
- Put the battery charger in storage where the temperature is between 5 °C (41 °F) and 45 °C (113 °F) and away from open sunlight.
- Charge the battery 30% to 50% before you put it in storage for long periods.
- Put the battery charger in storage in a space that is closed and dry.
- Keep the battery away from the battery charger during storage. Do not let children and other not approved persons to touch the equipment. Keep the equipment in a space that you can lock.
- Clean the product and do a full servicing before you put the product in storage for a long time.
- Use the transportation guard on the product to prevent injuries or damage on the product during transportation and storage.
- Attach the product safely during transportation.

Disposal of the battery, battery charger and product

The symbol below means that the product is not domestic waste. Recycle it at a recycling station for electrical and electronic equipment. This helps to prevent damage to the environment and to persons.

Speak to local authorities, domestic waste service or your dealer for more information.



Note: The symbol shows on the product or package of the product.

Technical data

Technical data

Husqvarna K 535i				
Voltage		36V		
Weight, kg (lbs)		3.5 (7.7)		
Blade diameter, mm (in.)		230 (9)		
Max blade thickness, mm (in.)	Abrasive blades		3.0 (0.1)	
	Diamond blades		1.8 (0.07)	
Unit rated speed		5940 rpm		
Water cooling				
Water cooling of blade		Yes		
Connecting nipple		Type "Gardena"		
Recommended water pressure, bar (psi)		0.5 - 6 (7.3 - 87)		
Maximum water pressure, bar (psi)		6 (87)		
	Vibration levels, a_{hveq} ¹		Noise emissions ²	
	Front/Left	Rear Right	LpA	LwA
	m/s ²	m/s ²	dB(A)	dB(A)
BLi200	1.9	2.3		
BLi300	2.1	2.5	100.5	111.5
¹ The declared vibration total value has been measured in accordance with EN 60745-2-22 and may be used for comparing one tool with another. The declared vibration total value may also be used in a preliminary assessment of exposure.				

Husqvarna K 535i

² The noise emission are measured in accordance with EN 60745-2-22.

- Uncertainty for the A-weighted sound power level K_{pA} is 3 dB(A).
- Uncertainty for the A-weighted sound pressure level K_{pA} is 3 dB(A).

Accessories

Approved batteries for the product

Battery	BLi200	BLi300
Type	Lithium-ion	Lithium-ion
Battery capacity, Ah	5.2	9.4
Nominal voltage, V	36	36
Weight, kg / lb	1.3 / 2.9	1.9 / 4.2

Approved battery chargers for the product

Battery charger	QC330
Mains voltage, V	100-240
Frequency, Hz	50-60
Power, W	330

المحتويات

44	استكشاف الأخطاء وإصلاحها.	26	مقدمة.
44	النقل والتخزين وطريقة التخلص من المنتج.	28	السلامة.
45	البيانات الفنية.	33	التجميع.
46	الملحقات.	36	التشغيل.
47	بيان التوافق مع توجيهات المفوضية الأوروبية (EC).	42	الصيانة.

مقدمة

الغرض من الاستخدام

يُستخدم هذا المنتج لقطع قرميد السقف، وألواح الحديد، والخرسانة الخفيفة.

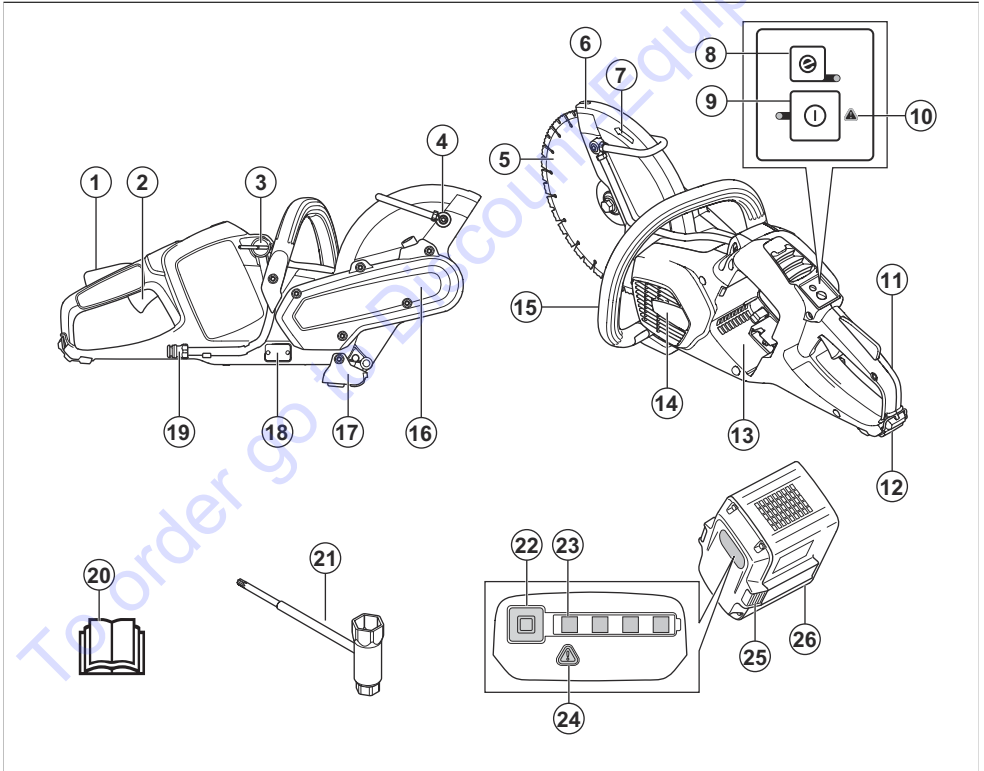
ملاحظة: يمكن أن تُعبّد اللوائح المحلية تشغيل هذا المنتج.

وصف المنتج

Husqvarna K 535i هي آلة قطع محمولة باليد. يعمل المنتج بطارية.

يجري العمل على قدم وساق لزيادة السلامة والكفاءة أثناء التشغيل. تحدث مع وكيل الخدمة الخاص بك لمزيد من المعلومات.

نظرة عامة حول المنتج



5. شفرة المنشار
6. وافي الشفرة
7. دوران الشفرة
8. زر SavE

1. تأمين قفل زناد الطاقة
2. زناد الطاقة
3. صمام المياه
4. فوهة المياه



لا تستخدم شفرات المنشار الدائري.

العلامة البنية. لا يُعدّ المنتج أو علبة تغليفه من النفايات المنزلية. لذلك احرص على إعادة تدويره في موقع لإعادة تدوير المعدات الكهربائية والإلكترونية.



اتجاه دوران الشفرة	
يظهر على لوحة التقدير رقم مسلسل. يشير yyyy إلى سنة الإنتاج، ويشير ww إلى أسبوع الإنتاج.	yyyywwxxxx
الحد الأقصى لقطر الشفرة الخارجية	Ø
تيار مباشر	d.c.
السرعة المقدرة	n

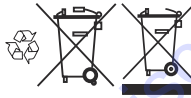
9. زر التشغيل والإيقاف
10. مؤشر تحذيري
11. مقبض خلفي مع واق لليد اليمنى
12. دعامة أرضية خلفية مع عروة للجل
13. فتحة البطارية
14. مميت المروحة
15. المقبض الأمامي
16. واقى السير
17. الدعامة الأرضية الأمامية
18. لوحة الطراز
19. وصلة المياه مع الفلتر
20. دليل المشغل
21. مفتاح ربط فكي
22. زر حالة البطارية
23. حالة البطارية
24. مؤشر تحذيري
25. زر تحرير البطارية
26. البطارية (غير مرفقة)

الرموز الموجودة على المنتج

ملاحظة: تشير الرموز/الملصقات الأخرى الموجودة على المنتج إلى متطلبات اعتماد خاصة ببعض الأسواق.

الرموز الموجودة على البطارية و/أو على شاحن البطارية

قم بإعادة تدوير هذا المنتج في محطة لإعادة تدوير المعدات الكهربائية والإلكترونية. (ينطبق على أوروبا فقط)



محول تأمين الاعطال.



استخدم شاحن البطارية واحفظ به داخل المبانى فقط.



العزل المزودج.



مسؤولية المنتج

وفقاً لما هو مشار إليه في قوانين المسؤولية المتعلقة بالمنتج، نحن لا نتحمل أي مسؤولية عن أي أضرار يسببها المنتج في الحالات التالية:

- إصلاح المنتج بطريقة خاطئة.
- إصلاح المنتج باستخدام أجزاء ليست من إنتاج الشركة المصنعة أو غير معتمدة منها.

خطر الإصابة الجسيمة أو الوفاة للمشغل أو الآخرين. كن حذراً واستخدم المنتج بشكل صحيح.



اقرأ الدليل بعناية وتأكد من فهم الإرشادات قبل استخدام المنتج.



ارتد خوذة واقية معتمدة، وأداة لحماية التنفس، وأداة لحماية السمع والعين.



يتبع هذا المنتج توجيهات الاتحاد الأوروبي المعمول بها.



يمكن أن يتسبب الدخان الناتج عن القطع في إصابات في حال استنشاقه. لذلك استخدم أداة حماية معتمدة للتنفس. وتجنب استنشاق أدخنة العادم. وتأكد من أن التهوية كافية.



قد يتسبب الشرر المتطاير من شفرة القطع في اشتعال المواد القابلة للاشتعال مثل: البنزين والخشب والملابس والأعشاب الجافة.



يمكن للارتدادات أن تكون مفاجئة، وسريعة، ويمكن أن تسبب إصابات. اقرأ التعليمات الواردة في الدليل وافهمها قبل استخدام المنتج.



تأكد من عدم تشقق الشفرة أو تلفها.



• عدم إصلاح المنتج في مركز خدمة معتمد أو بواسطة جهة معتمدة.

• استخدام المنتج مع ملحق ليس من إنتاج الشركة المصنعة أو غير معتمد منها.

السلامة

تعريفات السلامة

تُستخدم التحذيرات والملاحظات للإشارة إلى أجزاء مهمة للغاية من الدليل.

تحذير: يُستخدم إذا ثمة احتمال تعرّض المشغل أو المارة للإصابة أو الوفاة إذا لم يتم اتباع الإرشادات الواردة في الدليل.



تنبيه: يُستخدم إذا ثمة احتمال تلف المنتج أو المواد الأخرى أو المنطقة المجاورة إذا لم يتم اتباع الإرشادات الواردة في الدليل.



ملاحظة: تُستخدم لإعطاء المزيد من المعلومات اللازمة في حالة معينة.

تحذيرات السلامة العامة للأدوات الكهربائية

تحذير: اقرأ جميع تحذيرات السلامة وجميع الإرشادات. قد يؤدي عدم اتباع هذه التحذيرات والإرشادات إلى وقوع صدمة كهربية و/أو اندلاع حريق و/أو إصابة خطيرة.



ملاحظة: احتفظ بجميع التحذيرات والإرشادات لاستخدامها في المستقبل. يشير مصطلح "أداة كهربائية" الوارد في التحذيرات إلى أداة كهربائية (سلكية) مشغلة من المصدر الرئيسي أو أداة كهربائية (لاسلكية) تعمل بالبطارية.

السلامة في منطقة العمل

- حافظ على منطقة العمل نظيفة ومضاءة جيدًا. تزيد المناطق غير المنظمة أو المظلمة من احتمال وقوع الحوادث.
- تجنب تشغيل الأدوات الكهربائية في أجواء متفجرة، كما هو الحال عند وجود غبار أو سوائل أو غازات قابلة للاشتعال. تصدر الأدوات الكهربائية شرراً قد يتسبب في اشتعال الغبار أو الأبخرة.
- احرص على إبعاد الأطفال والمارة أثناء تشغيل أي أداة كهربائية. يمكن لمصادر تشتيت الانتباه أن تتسبب في فقد السيطرة.

السلامة الكهربائية

- يجب أن تتطابق قوايس الأداة الكهربائية مع المقبس. لا تمم بتعديل القابس بأي حال من الأحوال. لا تستخدم أي قوايس محول مع الأدوات الكهربائية المؤرضة (الموصولة بالأرض). إذ ستقلل القوايس غير المعدلة والمقابس المطابقة من خطر التعرض لصدمة كهربائية.
- تجنب ملامسة الجسم لأي أسطح مؤرضة أو موصولة بالأرض، مثل الأنابيب والمعدات أو الأفران أو التلجالات. فهناك خطر متزايد بحدوث صدمة كهربائية إذا تم تاريض جسمك.
- تجنب تعريض الأدوات الكهربائية للمطر أو الظروف الجوية الرطبة. إذ سيتسبب دخول الماء في أي أداة كهربائية في زيادة خطر الإصابة بصدمة كهربائية.

- تجنب إساءة استعمال السلك. تجنب استخدام السلك في حمل الأداة الكهربائية أو سحبها أو فصلها عن الكهرباء. حافظ على السلك بعيداً عن الحرارة والزيوت والحواف الحادة والأجزاء المتحركة. حيث تزيد الأسلاك التالفة أو المشابكة من خطر التعرض لصدمة كهربائية.
- عند تشغيل إحدى الأدوات الكهربائية في مكان خارجي، استخدم سلك تمديد يناسب الاستخدام في الأماكن الخارجية. حيث يعمل استخدام سلك تمديد يناسب الاستخدام في الأماكن الخارجية على تقليل خطر التعرض لصدمة كهربائية.
- إذا لم يكن هناك مفر من تشغيل أداة كهربائية في موقع ربط، فلا بد من استخدام مصدر محمي بقاطع تيار متبق (RCD). حيث يساعد ذلك على تقليل خطر التعرض لصدمة كهربائية



تنبيه: تجنب غسل الماكينة بالضغط، إذ يمكن أن يدخل الماء في النظام الكهربائي أو المحرك ويتسبب في تلف الماكينة أو حدوث دائرة قصيرة.

السلامة الشخصية

- ابقَ متاهياً، وراقب ما تقوم به، واستخدم الفطنة السليمة عند تشغيل أي أداة كهربائية. لا تستخدم أي آلة كهربائية وأنت متعب أو تحت تأثير المخدر أو الكحول أو الدواء. إذ قد تؤدي لحظة عدم الانتباه أثناء تشغيل الأدوات الكهربائية إلى إصابة شخصية خطيرة.
- استخدم معدات الوقاية الشخصية. احرص دائماً على ارتداء معدات حماية العين. ستقلل المعدات الواقية مثل قناع الغبار أو أحذية السلامة المانعة للانزلاق أو القبعة الصلبة أو معدات حماية السمع المستخدمة لظروف ملائمة من وقوع إصابات شخصية.
- تأكد من منع التشغيل غير المقصود. تأكد من وجود مفتاح الكهرباء في وضع إيقاف التشغيل (OFF) قبل التوصيل بمصدر الكهرباء و/أو مجموعة البطارية، أو التقاط الأداة أو حملها. يؤدي حمل الأدوات الكهربائية بينما تضع إصبعك على مفتاح الكهرباء، أو إمداد الأدوات الكهربائية بالمطاقة بينما يكون مفتاح الكهرباء في وضع التشغيل، إلى وقوع حوادث.
- قم بإزالة أي مفتاح ضبط أو مفتاح ربط قبل تشغيل الأداة الكهربائية، إذ قد يتسبب أي مفتاح ربط أو أي مفتاح متصل بجزء دوار في الأداة الكهربائية ولم يتم فصله في وقوع إصابة شخصية.
- لا تمد يدك بعيداً. احرص دائماً على الوقوف بطريقة سليمة ومترفة، إذ يساعد هذا على التحكم بشكل أفضل في الأداة الكهربائية في مواقف غير متوقعة.
- احرص على ارتداء الملابس الملائمة. تجنب ارتداء الملابس الفضفاضة أو الكلي. احرص على إبعاد شعرك وملابسك وقفازيك عن الأجزاء المتحركة. إذ يمكن أن تتشابك الملابس الفضفاضة أو الكلي أو الشعر الطويل في الأجزاء المتحركة.
- في حالة توفير أجهزة لتوصيل أدوات لاستخلاص الغبار وجمعه، تأكد من توصيل هذه الأجهزة واستخدامها بشكل صحيح. إذ يمكن أن يقلل جمع الغبار من المخاطر المرتبطة به.
- يمكن أن يختلف الاهتزاز الناتج أثناء الاستخدام الفعلي للأداة الكهربائية عن القيمة الإجمالية المعلنة وفقاً لطرق استخدام الأداة. فنبغي للمشغلين التعرف على تدابير السلامة لحماية أنفسهم والتي تعتمد على تقدير التعرض في الظروف الفعلية للاستخدام (مع الأخذ في الاعتبار كل أجزاء دورة التشغيل مثل

أوقات إيقاف تشغيل الآداة وأوقات تشغيل وضع التباطؤ بالإضافة إلى الزناد).

• احرص على وجود مسافة بينك وبين الشفرة عندما يكون المحرك قيد التشغيل.

استخدام الآداة الكهربائية والعناية بها

• تجنب الضغط على الآداة الكهربائية. استخدم الآداة الكهربائية الصحيحة التي تناسب استخدامك. ستقوم الآداة الكهربائية الصحيحة بالمهمة على نحو أفضل وأكثر أماناً بالمعدل المصممة لأجله.

• تجنب استخدام الآداة الكهربائية إذا كان مفتاح الكهرباء لا يؤدي وظيفته في تشغيل الآداة وإيقاف تشغيلها. في أداة كهربائية لا يمكن التحكم فيها بواسطة مفتاح الكهرباء تكون خطيرة ويجب إصلاحها.

• أفضل القابس من مصدر الكهرباء و/أو علبه البطارية عن الآداة الكهربائية قبل إجراء أي تعديلات أو قبل شحن الملحقات أو تخزين الأدوات الكهربائية. تقلل إجراءات السلامة الوقائية هذه من خطر بدء تشغيل الآداة الكهربائية بشكل غير مقصود.

• احرص على تخزين الأدوات الكهربائية المتوقفة عن العمل بعيداً عن متناول الأطفال ولا تسمح للأشخاص الذي ليسوا على دراية بالآداة الكهربائية أو بهذه الإرشادات بتشغيل الآداة الكهربائية. فالأدوات الكهربائية تكون مصدر خطر عند وجودها في أيدي مستخدمين غير مدربين.

• قم بصيانة الأدوات الكهربائية. افحص الآداة الكهربائية بحثاً عن أي محاذة غير صحيحة للجزء المتحركة أو إلتئانها، وبحثاً عن أي كسر في الأجزاء وأي حالة أخرى من شأنها أن تؤثر في تشغيل الآداة الكهربائية. وإذا كانت الآداة الكهربائية تالفة، فاطلب إصلاحها قبل الاستخدام. تقع العديد من الحوادث بسبب الأدوات الكهربائية التي تم صيانتها بشكل سيئ.

• حافظ على أدوات النشر حادة ونظيفة. فادوات النشر ذات حواف النشر الحادة التي تتم صيانتها على نحو جيد تكون أقل عرضة للإلتئان ويمكن السيطرة عليها بسهولة أكبر.

• استخدم الآداة الكهربائية والملحقات وأجزاء الأدوات وغير ذلك وفقاً لهذه الإرشادات، مع وضع ظروف العمل والعمل المطلوب تنفيذه في الاعتبار. قد يؤدي استخدام الآداة الكهربائية في عمليات تختلف عن تلك المخصصة لها إلى الوقوع في موقف خطير.

• ينبغي ألا تقوم في أي حال من الأحوال بتعديل التصميم الأصلي للماكينة دون موافقة جهة التصنيع. وحرص دائماً على استخدام قطع غيار أصلية. قد تؤدي التعديلات و/أو الملحقات غير المعتمدة إلى تعرض المستخدم أو الآخرين لإصابة خطيرة أو الوفاة.

• تأكد من عدم وجود مسار لأي أنابيب أو كابلات كهربائية في منطقة العمل أو في المواد المطلوب نشرها.

• افحص دائماً من وجود أماكن تحوي على مسارات لأنابيب الغاز وضع علامات عليها. إذ دائماً ما يتطوى النسر بالقرب من أنابيب الغاز على مخطاط. تأكد من عدم تولد شرر أثناء النسر نظراً لما يستتبع ذلك من خطر الانفجار. ركز دائماً في المهمة التي تقوم بها وانتبه جيداً. إذ يمكن أن يؤدي السهو إلى وقوع إصابة شخصية خطيرة أو الوفاة.

استخدام الآداة التي تعمل بالبطارية والعناية بها

• اشحنها باستخدام الشاحن المحدد بواسطة جهة التصنيع فقط. فقد يؤدي استخدام الشاحن الملائم لمجموعة بطارية ما إلى خطر الحريق عند استخدامه مع مجموعة بطارية أخرى.

• استخدم الأدوات الكهربائية مع مجموعات البطاريات المحددة فقط. فقد يؤدي استخدام أي مجموعات بطاريات أخرى إلى خطر الإصابة والحرق.

• عند عدم استخدام مجموعة البطارية، احتفظ بها بعيدة عن الأجسام المعدنية مثل دبابيس الورق أو العملات المعدنية أو المفاتيح أو المسامير أو البراغي أو الأجسام المعدنية الصغيرة الأخرى، التي قد تؤدي إلى توصيل أحد الطرفين بالأخر. وقد يؤدي قصر طرفي البطارية مع بعضهما إلى الإصابة بحروق أو نشوب حريق.

• في حالات التهاثر، قد يخرج سائل من البطارية؛ تجنّب لمسه. وعند حدوث تلامس عرضي، اغسل موضع التلامس بالماء. وإذا لمس السائل العين، فاطلب المساعدة الطبية أيضاً. إذ قد يسبب السائل الخارج من البطارية تهيجات أو حروقاً.

الصيانة

• لا تسمح بصيانة المنشار الآلي إلا بمعرفة في إصلاح مؤهل واستخدام قطع الغيار المتطابقة فقط. سيضمن هذا الحفاظ على سلامة الآداة الكهربائية.

تحذير السلامة لآلة القطع

• يجب تثبيت الواقي المتوفر مع الآداة بإحكام في الآداة الكهربائية ووضعه لتحقيق أقصى درجات السلامة بحيث يكون أصغر جزء من الأسطوانة مكشوفاً باتجاه المشغل. وحرص على أن تتخذ أنت والمارة موقفاً بعيداً عن مستوى الأسطوانة الدوارة. يساعد الواقي في حماية المشغل من أجزاء الأسطوانة المنكسرة والتلامس العرضي مع الأسطوانة.

• استخدم الأسطوانات المرترطة المقوّاة أو أسطوانات القطع الماسية فقط لأداتك الكهربائية. فمجرد أن أحد الملحقات يمكن تثبيته في أداتك الكهربائية لا يعني أنه يضمن التشغيل الآمن.

• يجب أن تكون السرعة المقررة للملحق مساوية على الأقل للسرعة القصوى المحددة على الآداة الكهربائية. إذ يمكن للملحقات التي تعمل أسرع من سرعتها المقررة أن تنكسر وتنتطير.

• يجب استخدام الأسطوانات للاستعمالات الموصى بها فقط. فعمل سبيل المثال، تجنب التجليخ مستخدماً جانب أسطوانة القطع. إذ إن أسطوانات القطع والسحج معدة لتجليخ المحيط، والقوى الجانبية الواقعة على هذه الأسطوانات قد تسبب تحطمها.

• استخدم دائماً شفاه الأسطوانات غير التالفة التي لها القطر الصحيح للأسطوانة التي اخترتها. تدعم شفاه الأسطوانات المناسبة الأسطوانة، ومن ثم تقلل من احتمالية انكسارها. لا تستخدم الأسطوانات المقوّاة البالية من أدوات كهربائية أكبر. حيث إن الأسطوانات المصممة لمنتشار إلى أكبر لا تلائم السرعات الأعلى للمنتشار الأصغر ومن ثم قد تتفجر.

• يجب أن يكون القطر الخارجي والسماكة للملحق الخاص بك ضمن تقدير سعة أداتك الكهربائية. فلا يمكن حماية الملحقات ذات المقاسات غير الصحيحة في التحكم فيها.

• يجب أن يناسب مقاس عمود دوران الأسطوانات والشفاه عمود دوران الآداة الكهربائية. فالأسطوانات والشفاه ذات فتحات عمود الدوران التي لا تتوافق مع مكونات تثبيت الآداة الكهربائية ستفقد الأتران، وستهتز بشكل مفرط وقد تسبب فقدان السيطرة.

• لا تستخدم الأسطوانات التالفة. افحص الأسطوانات قبل كل استخدام بحثاً عن أي شظايا أو تشققات. إذا سقطت الآداة الكهربائية أو الأسطوانة، ففحصها بحثاً عن أي تلف أو رنك أسطوانة غير تالفة. بعد تفحص الأسطوانة وتبركها، اتخذ أنت والمارة موقفاً بعيداً عن مستوى الأسطوانة الدوارة وقم بتشغيل الآداة الكهربائية على السرعة القصوى مع عدم وجود حمل لمدة دقيقة. ستتكسر الأسطوانات التالفة عادة أثناء زمن الاختبار هذا.

• احرص على ارتداء معدات الوقاية الشخصية. استخدم درعاً للوجه، أو قناعاً للسلامة أو نظارات للسلامة حسب الاستعمال.

- قم بارتداء قناع الغبار، وأدوات لحماية السمع، وقفازات ومتر عمل لها القدرة على إيقاف الأجزاء الصغيرة الناتجة عن السحج أو أجزاء قطعة العمل. ويجب أن تكون أداة حماية العين قادرة على إيقاف الحطام الطائر الناجم عن العمليات المتنوعة. كما يجب أن يكون قناع الغبار أو الكمامة قادرين على ترشيح الجزيئات الناتجة عن التشغيل. قد يسبب التعرض الطويل للضوضاء عالية الشدة فقدان السمع.
- حافظ على وجود مسافة آمنة بين المارة وبين منطقة العمل. ويجب أن يرتدي أي شخص يدخل إلى منطقة العمل معدات الوقاية الشخصية. فقد تطلق أجزاء من قطعة العمل أو أسطوانة مكسورة بعيداً وتسبب إصابات خارج منطقة التشغيل المباشرة.
- أمسك بالأداة الكهربائية من أسطح الحمل المعزولة فقط عند القيام بعملية قد تلامس فيها ملحقات القطع أسلاكاً مخفية. قد تؤدي ملامسة ملحقات القطع لسلك "حامل التيار الكهربائي" إلى جعل الأجزاء المعدنية المكشوفة من الأداة الكهربائية "حاملة للتيار الكهربائي" وقد تسبب المشغل بصدمة كهربائية.
- لا تضع الأداة الكهربائية حتى يتوقف الملحق تماماً. فقد تشابك الأسطوانة الدوارة مع السطح وتسحب الأداة الكهربائية خارج سيطرتك.
- لا تقم بتشغيل الأداة الكهربائية أثناء حملها على جانبك. فقد يسبب التلامس العرضي مع الملحق الدوار تمزيق ملابسك، ويجذب الملحق إلى جسديك.
- نظّف فتحات تهوية الأداة الكهربائية بانتظام. والا فستسحب مروحة المحرك الغبار إلى داخل الميت. وقد يتسبب التراكم المفرط لمسحوق المعدن في مخاطر كهربائية.
- لا تشغّل الأداة الكهربائية بجانب مواد قابلة للاشتعال. فقد تشعل الشرارات هذه المواد.

- لا توصل سلسلة منشار أو شفرة حفر في الخشب أو أسطوانة ماسية مجزأة بفتحة جانبية تبلغ أكثر من 10 مم أو شفرة منشار مسننة. فمثل هذه الشفرات تسبب ارتدادات متكررة وفقدان التحكم.
- لا "تحشر" الأسطوانة أو تضع عليها ضغطاً مفرطاً. ولا تحاول صنع قطع بعنف زائد لأن الإجهاد المفرط للأسطوانة يزيد من الحمل وامكانية تعرض الأسطوانة للانواء أو الالتواء أثناء القطع. إضافة إلى احتمال ارتداد الأسطوانة أو انكسارها.
- عند انثناء الأسطوانة أو في حالة مقاطعة القطع لأي سبب، أغلق الأداة الكهربائية واحملها دون حركة حتى تتوقف الأسطوانة تماماً. لا تحاول أبداً إزالة الأسطوانة من مكان القطع أثناء دورانها، والا فقد يحدث ارتداد. تحقق واتخذ إجراء تصحيحاً للتخلص من سبب انثناء الأسطوانة.
- لا تستأنف عملية القطع في قطعة العمل. بل اترك الأسطوانة تصل إلى سرعتها الكاملة ثم أعد الدخول إلى مكان القطع بحذر. زيادة تشنّي الأسطوانة أو ترتفع أو ترتد إذا أعدت تشغيل الأداة الكهربائية داخل قطعة العمل.
- ادمع اللوآح أو أي قطعة عمل كبيرة الحجم للحد من خطر تعرض الأسطوانة للقرص أو الارتداد. تميل قطع العمل الكبيرة إلى التدلي بسبب وزنها. ولهذا يجب وضع الدعامات تحت قطعة العمل بالقرب من خط القطع والقرب من حافة قطعة العمل على جانبي الأسطوانة.
- توخّ الحذر الشديد عند عمل "قطع جيبى" في الجدران المنشأة أو أي منطقة مخفية أخرى. فالأسطوانة البارزة قد تقطع أنابيب الغاز أو المياه، أو الأسلاك الكهربائية أو الأجسام التي يمكن أن تسبب الارتداد.

إرشادات السلامة العامة



تحذير: اقرأ الإرشادات التحذيرية التالية قبل استخدام المنتج.

- هذا المنتج أداة خطيرة وقد يسبب إصابات خطيرة في حالة عدم استخدامه بحذر أو استخدامه بطريقة خاطئة. من المهم للغاية قراءة محتويات هذا الدليل وفهمها جيداً.
- لا تغير المنتج من دون الحصول على موافقة جهة التصنيع. لا تستخدم منتجاً خضع لتغييرات بواسطة آخرين، واستخدم الملحقات الأصلية دائماً. فقد تسبب التغييرات التي لم تعتمد عليها جهة التصنيع إصابة خطيرة أو الوفاة للمشغل أو الآخرين.
- حافظ على نظافة المنتج. يجب أن تكون العلامات والملصقات مرئية تماماً.
- يولّد هذا المنتج مجالاً كهرومغناطيسياً أثناء تشغيله. وقد يتداخل هذا المجال، في بعض الظروف، مع الأجهزة الطبية المزروعة النشطة أو الكامنة. لتقليل خطر التعرض لإصابات خطيرة أو الوفاة، نوصي الأشخاص الذين لديهم دعامات طبية باستشارة طبيههم وجهة تصنيع الدعامات الطبية قبل تشغيل هذا المنتج.

إرشادات السلامة المتعلقة بالتشغيل



تحذير: اقرأ جميع تحذيرات السلامة وجميع الإرشادات. قد يؤدي عدم اتباع هذه التحذيرات والإرشادات إلى وقوع صدمة كهربائية وأو اندلاع حريق وأو إصابة خطيرة.

الارتداد والتحذيرات ذات الصلة

- الارتداد عبارة عن رد فعل مفاجئ لأسطوانة دوّارة متعرضة للقرص أو التعثر، والقرص أو التعثر يسبب توقف الأسطوانة الدوارة بسرعة، والذي بدوره يتسبب في دفع الأداة الكهربائية التي لا تخضع للتحكم في الاتجاه المعاكس لدوران الأسطوانة عند نقطة الانثناء.
- على سبيل المثال، إذا تعثرت أسطوانة السحج أو تعرضت للقرص من خلال قطعة العمل، فقد يحفر طرف الأسطوانة الداخل إلى نقطة التعرض للقرص في سطح المادة، وهذا يسبب خروج الأسطوانة أو ارتدادها. وقد تندفع الأسطوانة إما في اتجاه المشغل أو بعيداً عنه، وذلك يعتمد على اتجاه حركة الأسطوانة عند تعرضها للقرص. وربما تنكسر أسطوانات السحج في ظل هذه الظروف أيضاً.
- الارتداد هو نتيجة سوء استخدام الأداة الكهربائية و/أو إجراءات أو ظروف التشغيل الخاطئة، ويمكن تجنب ذلك من خلال اتخاذ الإجراءات الوقائية المناسبة كما هو موضح أدناه.
- حافظ على القبض بإحكام على الأداة الكهربائية، ولكن جسمك وذراعك في موضع يسمح لك بمقاومة قوى الارتداد. واستعمل دائماً قبضاً إضافياً إذا كان متوفراً، لكي تحصل على أقصى تحكم في رد فعل الارتداد أو العزم عند بدء التشغيل. يمكن أن يتحكم المشغل في ردود أفعال العزم أو قوى الارتداد إذا اتخذ الإجراءات الوقائية المناسبة.
- لا تضع أبداً يدك بجانب الملحق الدوّار، فقد يرتد هذا الملحق على يدك.
- لا تجعل جسمك محاذياً للأسطوانة الدوّارة، حيث يدفع الارتداد الأداة في الاتجاه المعاكس لحركة الأسطوانة في حالة التعثر.
- توخّ الحذر الشديد عند العمل في الأركان والأطراف الحادة وما إلى ذلك. وتجنب حدوث قفز للملحق أو تعثره، وذلك لأن الأركان أو الأطراف الحادة أو القفز غالباً ما تجعل الملحق الدوّار يتعثر وتسبب في فقدان التحكم أو الارتداد.

- لا تحمل المنتج بيد واحدة، فلا يمكن التحكم بأمان في هذا المنتج بيد واحدة.
- لا تستخدم المنتج في موقف لا يمكنك الحصول فيه على دعم في حال وقوع حادثة.
- تأكد من أنه يمكنك التحرك في الأرجاء بأمان. تحقق من الظروف وطبيعة المنطقة من حولك للكشف عن أي عوائق محتملة.
- يمكن أن يؤدي التعرض المفرط للاهتزاز إلى تلف في الدورة الدموية والأعصاب لدى الأشخاص الذين يعانون من قصور في الدورة الدموية. اتصل بالطبيب في حالة الإصابة بأعراض التعرض المفرط للاهتزاز. وتشتمل مثل هذه الأعراض على الخدر، وفقدان الإحساس، والشعور بوخز خفيف، والوخز، والألم، وفقدان القوة، وحدثت تغيرات في لون البشرة أو حالتها. وعادة ما تظهر هذه الأعراض في الأصابع، أو اليدين، أو الرسغين. وقد تتفاقم هذه الأعراض في درجات الحرارة الباردة.
- من المستحيل أن تنطبق إلى كل الموافقات التي يمكن أن تواجهها عند استخدام المنتج. لذلك، كن حذراً دائماً واستخدم فطنتك السليمة.
- لا تمثل المعلومات الواردة في هذا الدليل بديلاً للمعرفة الاحترافية والخبرة. إذا لم تشعر بالأمان في الموقف الذي تمر به، فأوقف المنتج. لا تستخدم المنتج في مواقف غير معروفة.
- توجه إلى وكيل الخدمة أو Husqvarna إذا كان لديك استفسارات حول تشغيل المنتج. يمكننا إعطاؤك معلومات كيفية تشغيل المنتج بأمان مع تحقيق أفضل نتيجة.
- لا تستخدم منتجاً أو بطارية أو شاحن بطارية معيَّباً.
- لا تلمس أي شفرة قطع دوّارة، إذ يمكنها أن تسبب في إصابات خطيرة أو الوفاة.
- لا تستخدم المنتج في الطقس السيئ، مثل الضباب الكثيف أو الأمطار الغزيرة، والرياح القوية، والبرد القارس. فالطقس السيئ يسبب مخاطر إضافية، مثل وجود تلج على الأرض.
- لا تشغّل المنتج إلا في حالة تركيب كل الأغطية والواقيات بشكل صحيح.
- انظر حولك، وتأكد من عدم وجود خطورة بأن يلمسك الأشخاص أو الحيوانات أو يؤثرون في تحكمك بالمنتج.
- لا تسمح للأطفال باستخدام المنتج أو الاقتراب منه. تشغيل المنتج سهل، وهذا يعني وجود خطر بحدوث إصابة خطيرة.
- أزل البطارية إذا لم يكن بإمكانك رؤية المنتج بشكل كامل بوضوح. أزل البطارية في حالة عدم استخدام المنتج لفترة طويلة.
- يجب أن تكون أقدامك ثابتة لتتحكم بالمنتج بالكامل. لا تستخدم المنتج إذا كنت واقفاً على سلم. لا تستخدم المنتج إذا لم تكن على أرض ثابتة.
- لا تستخدم المنتج على ارتفاع فوق الكتف.

ملاحظة: بعد تشغيل الأداة، يجب إزالة معدات حماية السمع على الفور عند انتهاء النشر لسماع الأصوات وإشارات التحذير.

معدات الوقاية الشخصية

تحذير: اقرأ جميع تحذيرات السلامة وجميع الإرشادات. قد يؤدي عدم اتباع هذه التحذيرات والإرشادات إلى وقوع صدمة كهربائية و/أو اندلاع حريق و/أو إصابة خطيرة.



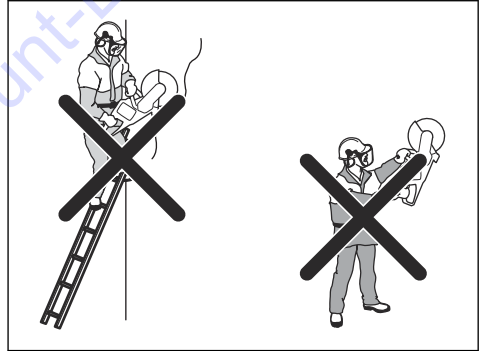
- يجب أن تستخدم معدات الوقاية الشخصية المعتمدة أثناء التشغيل. لا توفر معدات الوقاية الشخصية حماية كاملة من الإصابات، لكنها تقلل من درجة الإصابة في حالة وقوع حادثة. تحدث مع وكيل الخدمة الخاص بك للحصول على توصيات بشأن المعدات التي يجب استخدامها.
- يجب أن تكون ملابسك محكمة لكن مع عدم الحد من تحركاتك. احرص على إجراء فحص لحالة معدات الوقاية الشخصية بشكل منتظم.
- استخدم حوذة واقية معتمدة.
- استخدم معدات معتمدة لحماية الجهاز التنفسي.
- استخدم معدات معتمدة لحماية السمع. يمكن أن يؤدي التعرض للضوضاء لفترة طويلة إلى ضرر دائم في حاسة السمع.
- استخدم نظارات واقية أو قناع وجه لتقليل خطر الإصابة من الجزيئات والغبار. قد يؤدي هذا إلى إصابة خطيرة، خاصة للعيين.
- استخدم قفازات واقية عالية الاحتمال.
- استخدم أحذية بأغطية فولاذية لأصابع القدم ونعل غير منزلق.
- احرص دائماً على وجود طقم إسعافات أولية معك.

أجهزة السلامة الخاصة بالمنتج

تحذير: اقرأ جميع تحذيرات السلامة وجميع الإرشادات. قد يؤدي عدم اتباع هذه التحذيرات والإرشادات إلى وقوع صدمة كهربائية و/أو اندلاع حريق و/أو إصابة خطيرة.



- لا تستخدم منتجاً بمكونات سلامة تالفة. يجب أن تخضع معدات السلامة للفحص والصيانة بشكل منتظم. توجه إلى وكيل



إذا لم تكن حذراً، فسيزيد خطر الارتداد.



سلامة البطارية

الخدمة الخاص بك لإجراء الإصلاحات إذا لم يتم اعتماد فحص جهاز السلامة.

لوحة المفاتيح

يضيء مؤشر التحذير إذا كان هناك خطر من الحمل الزائد. تقوم أداة الحماية من الحمل الزائد بإيقاف المنتج مؤقتاً ولا يمكنك استخدام المنتج حتى تتم استعادة درجة الحرارة. إذا أظهر المؤشر ضوءاً ثابتاً، فتوجه إلى وكيل الخدمة.



تحذير: اقرأ جميع تحذيرات السلامة وجميع الإرشادات. قد يؤدي عدم اتباع هذه التحذيرات والإرشادات إلى وقوع صدمة كهربائية و/أو اندلاع حريق و/أو إصابة خطيرة.

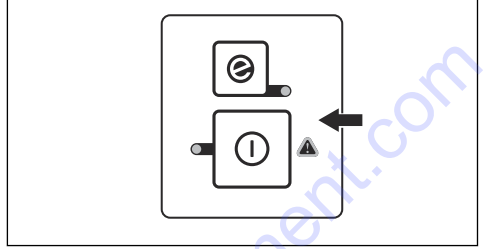
- لا تستخدم إلا بطاريات Husqvarna BLi التي نوصي بها للمنتج الخاص بك. فالبطاريات مشفرة ببرامج.
- استخدم بطاريات Husqvarna BLi القابلة لإعادة الشحن كمصدر طاقة لمنتجات Husqvarna ذات الصلة فقط. لمنع وقوع إصابات، لا تستخدم البطارية كمصدر طاقة لأجهزة أخرى.
- خطر التعرض لصدمة كهربائية. لا تقم بتوصيل أطراف البطارية بمفاتيح أو براغي أو أي معادن أخرى. فقد يتسبب هذا في حدوث دائرة قصيرة في البطارية.
- لا تستخدم البطاريات غير القابلة لإعادة الشحن.
- لا تضع أي أجسام في فتحات تهوية البطارية.
- احتفظ بالبطارية بعيداً عن ضوء الشمس أو الحرارة أو اللهب المكشوف. إذ يمكن أن تتفجر البطارية وتسبب حروقاً و/أو حروقاً كيميائية.
- احتفظ بالبطارية بعيداً عن المطر والأجواء الرطبة.
- احتفظ بالبطارية بعيداً عن الموجات الدقيقة والضغط العالي.
- لا تحاول فك البطارية أو كسرها.
- لا تدع حمض البطارية يلمس جلديك. حيث يسبب حمض البطارية إصابات في الجلد وتآكلاً وحروقاً. إذا دخل حمض البطارية في عينيك فلا تفرقهما، بل اشطفهما بالماء لمدة 15 دقيقة على الأقل. إذا لمس حمض البطارية جلديك، فيجب أن تنظف الجلد بكمية كبيرة من الماء والصابون. احصل على المساعدة الطبية.
- استخدم البطارية في درجات حرارة تتراوح بين -10 درجات مئوية (14 درجة فهرنهايت) و40 درجة مئوية (104 درجات فهرنهايت).
- لا تنظف البطارية أو شاحن البطارية بالماء. راجع لتنظيف البطارية وشاحن البطارية في الصفحة 42
- لا تستخدم بطارية معيبة أو تالفة.
- احتفظ بالبطاريات في مكان بعيد عن الأجسام المعدنية مثل المسامير أو البراغي أو المجوهرات.
- احتفظ بالبطارية في مكان بعيد عن متناول الأطفال.

سلامة شاحن البطارية



تحذير: اقرأ جميع تحذيرات السلامة وجميع الإرشادات. قد يؤدي عدم اتباع هذه التحذيرات والإرشادات إلى وقوع صدمة كهربائية و/أو اندلاع حريق و/أو إصابة خطيرة.

- يوجد خطر التعرض لصدمة كهربائية أو حدوث دائرة قصيرة إذا لم يتم اتباع إرشادات السلامة.
- لا تستخدم أي شواحن بطارية أخرى سوى الشاحن المرفق مع منتجك. لا تستخدم سوى شواحن Husqvarna السريعة عند شحن بطاريات BLi البديلة من Husqvarna.
- لا تحاول فك شاحن البطارية.
- لا تستخدم شاحن بطارية معيباً أو تالفاً.
- لا ترفع شاحن البطارية من السلك الكهربائي. لفصل شاحن البطارية من مقبس كهربائي، اسحب القابس. وتجنب سحب السلك الكهربائي.

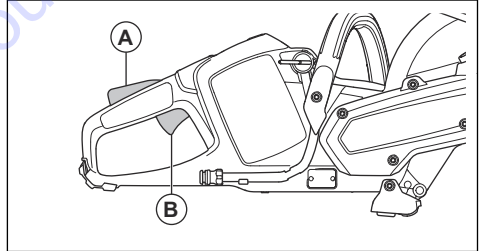


وظيفة إيقاف التلقائي

يتضمن المنتج وظيفة إيقاف تلقائي تعمل على إيقاف المنتج إذا لم تستخدمه لمدة دقيقة.

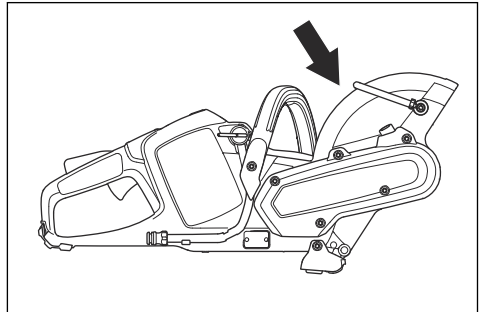
تأمين قفل زناد الطاقة

يمنع تأمين قفل زناد الطاقة تشغيل زناد الطاقة عن طريق الخطأ. إذا وضعت يدك حول المقبض وضغطت على تأمين قفل زناد الطاقة (A)، فسيحرر زناد الطاقة (B). إذا حررت المقبض، فسيعود زناد الطاقة وتأمين قفل زناد الطاقة إلى وضعهما الأولين.



واقى الشفرة

يعمل واقى الشفرة على منع جزينات القطع من إيذاء المستخدم. حيث تمنع أداة الحماية هذه الأجزاء من التفكك وإيذاء المستخدم.



- قم بإزالة البطارية قبل تنفيذ الصيانة أو غيرها من الفحوصات أو تجميع المنتج.
- يجب على المشغل أن ينفذ الصيانة والخدمة الموصَّحة في دليل المشغل لهذا فقط. توجه إلى وكيل الخدمة الخاص بك للصيانة والخدمة على نطاق أكبر.
- لا تنظف البطارية أو شاحن البطارية بالماء. فقد تسبب المتطفات القوية ضرراً للبلاستيك.
- إذا لم تقم بإجراء الصيانة، فسيقلل هذا من دورة حياة المنتج ويزيد من خطر وقوع الحوادث.
- التدريب الخاص ضروري لجميع أعمال الخدمة والإصلاحات، ولا سيما لأجهزة السلامة الخاصة بالمنتج. إذا لم يتم اعتماد جميع الفحوصات الواردة في دليل المشغل لهذا بعد إجراء الصيانة، فتوجه إلى وكيل الخدمة الخاص بك. نضمن لك توفير إصلاحات وصيانة احترافية للمنتج الخاص بك. لا تستخدم إلا قطع الغيار الأصلية.
- احفظ بكل الكابلات وأسلاك التمديد بعيداً عن الماء والزيت والحواف الحادة. احرص على ألا ينحسر الكابل بين الأبواب أو الأسوار أو ما يشبهها.
- لا تستخدم شاحن البطارية بالقرب من مواد قابلة للاشتعال أو مواد يمكنها أن تسبب التآكل. احرص على عدم تغطية شاحن البطارية. اسحب قابس شاحن البطارية عند وجود دخان أو حريق.
- لا تشحن البطارية إلا في الداخل في موقع ذي تهوية جيدة بعيداً عن ضوء الشمس. لا تشحن البطارية في مكان خارجي. لا تشحن البطارية في أجواء رطبة.
- لا تستخدم شاحن البطارية إلا عندما تتراوح درجة الحرارة بين 5 درجات مئوية (41 درجة فهرنهايت) و40 درجة مئوية (104 درجات فهرنهايت). استخدم الشاحن في بيئة جيدة التهوية وجافة وخالية من الغبار.
- لا تضع أي أجسام في فتحات تهوية شاحن البطارية.
- لا تقم بتوصيل أطراف شاحن البطارية بأجسام معدنية، فقد يؤدي هذا إلى حدوث دائرة قصيرة في شاحن البطارية.
- لا تشحن البطاريات غير القابلة لإعادة الشحن في شاحن البطارية أو تستخدمها في الآلة.
- استخدم المقابس الكهربائية المعتمدة غير التالفة.

إرشادات السلامة المتعلقة بالصيانة

تحذير: اقرأ الإرشادات التحذيرية التالية قبل تنفيذ الصيانة على المنتج.



التجميع

تحذير: يمكن أن يؤدي الاستخدام الخاطئ إلى ارتفاع حرارة الشفرة بشدة. ويمكن أن تسبب الشفرة شديدة الحرارة خللاً، مما قد يؤدي إلى وقوع ضرر أو حدوث إصابة.



تحذير: لا تستخدم أي شفرة قطع بسرعة قصوى أقل من سرعة المنشار الكهربائي. لا تستخدم سوى شفرات القطع التي تتوافق مع المعايير الوطنية أو الإقليمية.

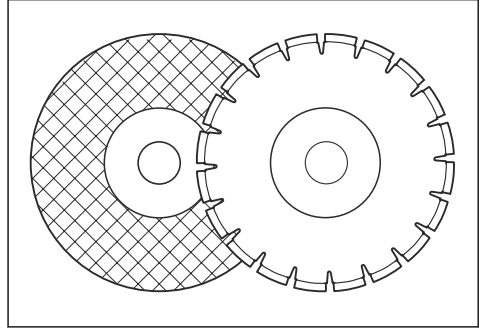


ملاحظة: لا تقطع إلا المواد المعتمدة في الإرشادات المرفقة مع الشفرة.

تحقق من أن الشفرة معتمدة للسرعة نفسها المكتوبة على لوحة الطراز الخاصة بالمنشار الكهربائي أو لسرعة أعلى.

شفرات القطع الملائمة

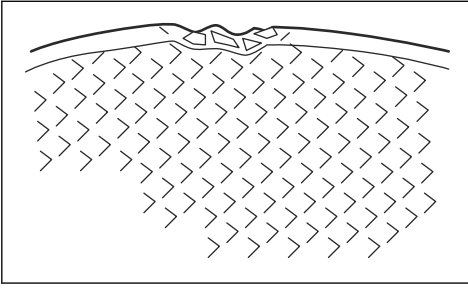
توفر شفرات القطع الخاصة بمنتج Husqvarna K 535i بطرازين أساسيين: شفرات السحج والشفرات الماسية.



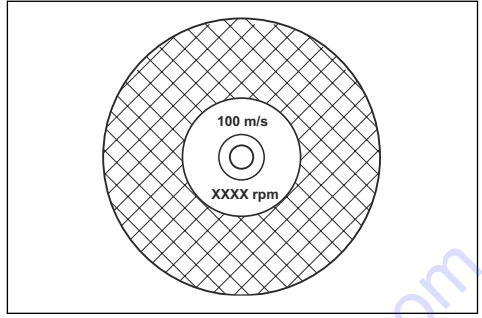
شفرات القطع المخصصة للمنشار الآلي اليدوية عالية السرعة

تحذير: لا تستخدم سوى الشفرات الماسية وشفرات السحج مع الخرسانة. لا تستخدم الشفرات المستننة مثل شفرات قطع الخشب الدائرية أو الشفرات ذات السنون الكريديية. حيث يزيد خطر الارتداد وقد تتخلع السنون الكريديية وتتطاير بسرعة عالية. وهذا يمكن أن يؤدي إلى وقوع إصابة أو حدوث الوفاة.



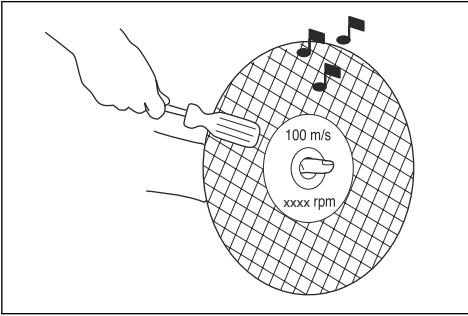


- افحص شفرة السحج عن طريق تعليقها في اصبعك والنيق عليها نقرًا خفيفًا باستخدام مفك براغ أو ما شابهه. إذا لم تُصدّر الشفرة أي صوت رنين رنان، فإنها تكون تالفة.



اهتزاز الشفرة

- تنبيه:** إذا استخدمت المنتج بقوة أكثر من اللازم، فقد تصبح الشفرة ساخنة جدًا وتتشن وتتشعب في حدوث اهتزازات. احرص على استخدام المنتج بقوة أقل. وإذا استمرت الاهتزازات، فاستبدل الشفرة.



- تأكد من استخدام الشفرة الساحجة الملائمة للمادة المقصودة.

شفرات السحج

- تحذير:** لا تستخدم شفرات السحج مع المياه. تضعف القوة عند تعرض شفرات السحج إلى المياه أو الرطوبة، مما يؤدي إلى زيادة مخاطر ارتداد الشفرة.



شفرات ماسية

- تحذير:** لا تستخدم أبدًا شفرة ماسية لنشر مادة بلاستيكية. قد تؤدي الحرارة الناتجة أثناء النشر إلى صهر البلاستيك ويمكن أن يلتصق بشفرة المنشار ويتسبب في حدوث ارتداد.



- تنبيه:** غير مسموح بالقطع باستخدام شفرة ساحجة أثناء تركيب ملحق الفاكيوم. حيث إن استخدام الشفرات الساحجة يتسبب في حدوث يلي غير طبيعي لملحق الفاكيوم.



- تنبيه:** لا تستخدم شفرات السحج التي تتخطى سماكتها السماكة القصوى الموصى بها، راجع البيانات الفنية في الصفحة 45



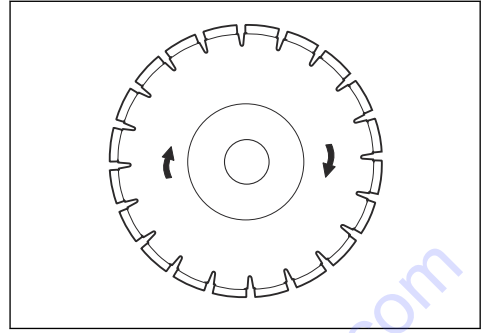
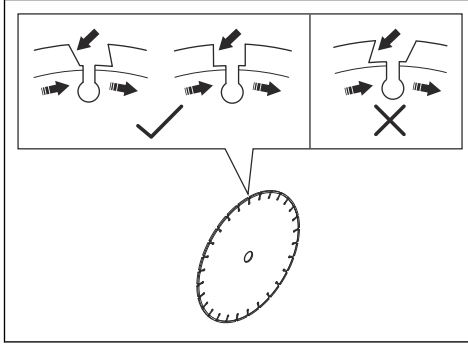
- تحذير:** الشفرات الماسية تصبح ساخنة جدًا عند استخدامها. فرط سخونة الشفرة هو نتيجة للاستخدام غير الصحيح، وقد يتسبب في تشوه الشفرة، مما يؤدي إلى تلفها وحدث إصابات.



ملاحظة: قم بسنّ الشفرة بقطع مادة لينة مثل الحجر الرملي أو البلوك.

- استخدم دائمًا الشفرات الماسية الحادة.
- قد تصبح الشفرات الماسية بليدة (غير حادة) عند استخدام ضغط النشر الخاطئ أو عند نشر مواد معينة مثل الخرسانة كثيفة التسليح. ويتسبب العمل بشفرة ماسية بليدة في حدوث فرط السخونة، مما قد يؤدي إلى تفكك الأجزاء الماسية.
- تتكون الشفرات الماسية من قلب صلب مزود بأجزاء تحتوي على الماس صناعي.
- الشفرات الماسية متألّية لأحجار البناء والخرسانة والمواد المركّبة الأخرى.
- عند استخدام شفرة ماسية تأكد من أنها تدور في الاتجاه الذي يشير إليه السهم الموجود على الشفرة.

تنبيه: لا تستخدم شفرات ماسية مع زوايا جرف إيجابية.



القطع الرطب

تنبيه: لا تستخدم معدات شقط الغبار مع النظام الرطب.



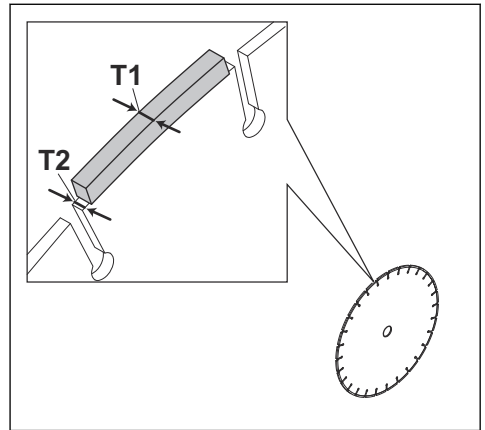
- يجب استخدام الشفرات الماسية في القطع الرطب مع النظام الرطب.
- تعمل المياه على تبريد الشفرة وزيادة عمرها الافتراضي مع تقليل الغبار أيضاً.
- عند القطع الرطب، احرص على جمع المياه الناتجة بشكل آمن.

القطع الجاف

- عند القطع الجاف، ارفع الشفرة عن مكان القطع كل 30 أو 60 ثانية وانترکہا تدور في الهواء لمدة 10 ثوان لتبريدها.
- استخدم معدات شقط الغبار إن أمكن.

شفرات ماسية - المتطلبات

تحذير: تأكد من أن الجزء الماسي (T1) أعرض من الشفرة (T2). وذلك لمنع حدوث القرص في فتحة القطع ومنع الارتداد.



تنبيه: لا تستخدم شفرات ماسية تتخطى سماكتها السماكة القصوى الموصى بها، راجع البيانات الفنية في الصفحة 45.



تنبيه: قد تسبب بعض أوضاع القطع والشفرات البالية في حدوث بلى زائد على جانب القطع. استبدل الشفرة قبل أن تبلى.



لاختيار عمود الدوران وفلكات الشفة

اختبر فلكات الشفة وعمود الدوران عند استبدال الشفرة.

تنبيه: لا تستخدم إلا فلكات الشفة التي توفرها Husqvarna بقطر لا يقل عن 60 مم/2.4 بوصة.



تنبيه: لا تستخدم فلكات شفة تالفة، أو معيبة، أو متسخة.



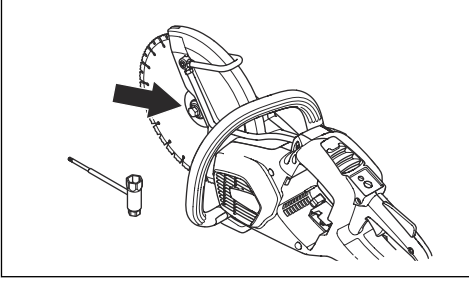
تنبيه: لا تستخدم أبعاداً مختلفة من فلكات الشفة.



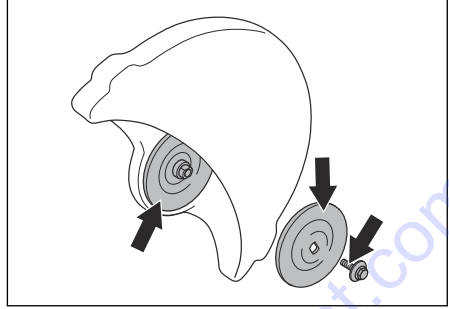
- تأكد من عدم تلف سنون عمود الدوران.

3. اربط البرغى. عزم ربط المسمار المثبت لشفرة القطع هو 30 ن.م (18,5 قدمًا-رطل).

- تأكد من عدم تلف أسطح الشفرة وفلكات الشفة، ومن صحة أبعادها، ونظافتها، ومن أنها تدور بطريقة صحيحة مع عمود الدوران.



لفحص الشفرة وواقى الشفرة

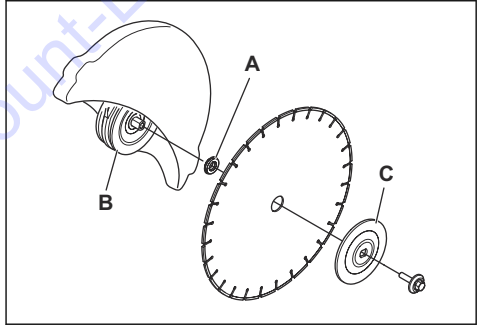


لاختبار جلبة محور الدوران

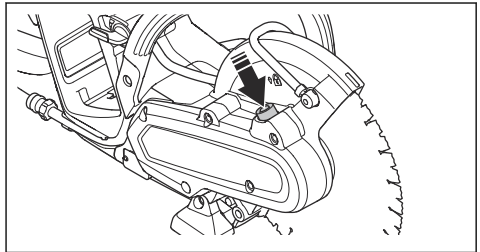
- استخدم جليات محور دوران من Husqvarna فقط.
• تأكد من أن أبعاد جلبة محور الدوران مناسبة لشفرة القطع.
• الأبعاد الصحيحة مطبوعة على شفرة القطع.

لتثبيت شفرة القطع

1. توضع شفرة القطع على الجلبة (A) بين فلكة الشفة الداخلية (B) وفلكة الشفة (C). تدار فلكة الشفة لربطها بالمحور.



2. اففل عمود الدوران.



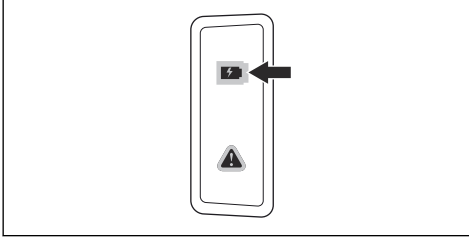
التشغيل

2. افحص تأمين قفل زناد الطاقة (B) للتأكد من أنه يعمل بشكل صحيح وأنه غير تالف.
3. افحص لوحة المفاتيح (C) للتأكد من أنها تعمل بشكل صحيح.

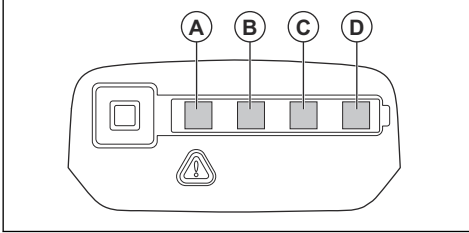
لإجراء فحص للوظائف قبل استخدامك للمنتج

1. افحص واقى اليد اليمنى الخلفي (A) للتأكد من عدم تلفه.

3. تأكد من أن ضوء الشحن الأخضر الموجود على شاحن البطارية يعمل. فذلك يعني أن البطارية متصلة بالشاحن بشكل صحيح.



4. عندما تعمل كل أضواء LED الموجودة على البطارية، تكون البطارية مشحونة بالكامل.



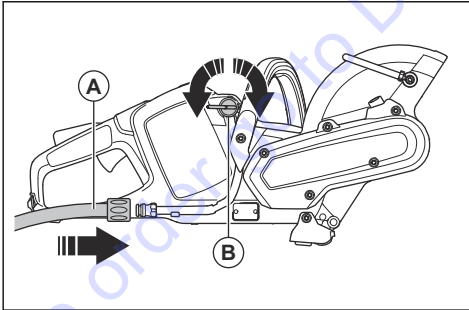
5. لفصل شاحن البطارية من المقبس الكهربائي، اسحب القابس. لا تقم بسحب الكابل.

6. قم بإزالة البطارية من شاحن البطارية.

ملاحظة: راجع دليل البطارية ودليل شاحن البطارية لمزيد من المعلومات.

لتوصيل الماء المبرّد

1. قم بتوصيل خرطوم المياه بمصدر المياه (أ).



2. أدر حنفية الماء (B) لتوصيل الماء أو إيقافه.

3. تحقق من أي تسرّب في وصلة المياه أو الخرطوم.

4. تأكد من أن ضغط الماء لا يبلغ ضغط الماء الأقصى المسموح به، راجع البيانات الفنية.

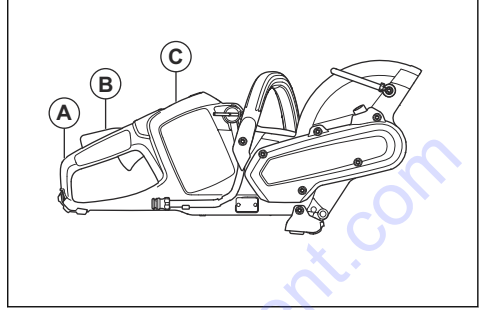
لتشغيل المنتج

1. افحص زناد الطاقة وتأمن قفل زناد الطاقة. راجع لفحص تأمين قفل زناد الطاقة في الصفحة 42

4. قم بالفحص للتأكد من أن كل الأجزاء والواقيات مثبتة بشكل صحيح وغير تالفة أو مفقودة.

5. اشحن البطارية وتأكد من أنها متصلة بالمنتج بشكل صحيح.

6. تأكد من أن المنشار الكهربائي يتوقف عندما تحرر زناد الطاقة.



لتوصيل شاحن البطارية

1. قم بتوصيل شاحن البطارية بالجهد الكهربائي والتردد المحددين على لوحة التقدير.

2. ضع القابس في مخرج مقبس مؤرّض. بومض ضوء LED في شاحن البطارية باللون الأخضر لمرة واحدة.

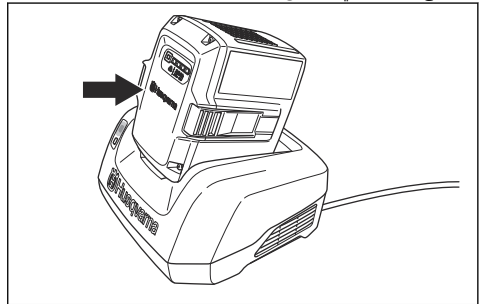
ملاحظة: لا يتم شحن البطارية إذا كانت درجة حرارتها أكثر من 50 درجة مئوية/ 122 درجة فهرنهايت. إذا كانت درجة الحرارة أكثر من 50 درجة مئوية/ 122 درجة فهرنهايت، فإن شاحن البطارية يجعلها تبرد قبل شحنها.

لتوصيل البطارية بشاحن البطارية

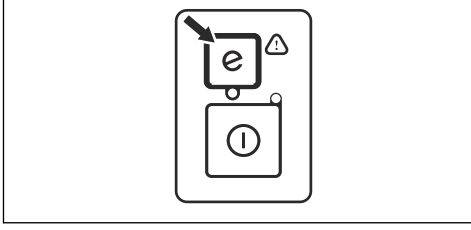
ملاحظة: اشحن البطارية إذا كان هذا هو أول استخدام لها. تكون البطارية الجديدة مشحونة بنسبة 30% فقط.

1. تأكد من أن البطارية جافة.

2. ضع البطارية في شاحن البطارية.

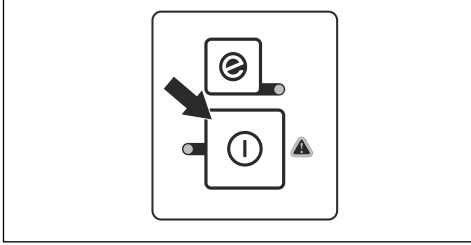


3. اضغط على زر Save مرة أخرى لفصل الوظيفة. ينطفئ ضوء LED الأخضر.

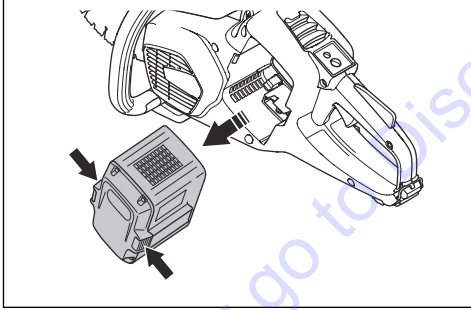


إيقاف المنتج

1. اضغط باستمرار على زر التشغيل/الإيقاف الموجود على لوحة المفاتيح حتى ينطفئ ضوء LED الأخضر.



2. اضغط على أزرار تحرير البطارية وأزل البطارية من حامل البطارية.



تحذير: قم بإزالة البطارية عند عدم استخدام المنتج أو عدم توافر الرؤية الكاملة له. وذلك لمنع التشغيل عن طريق الخطأ.



أساليب العمل الأساسية

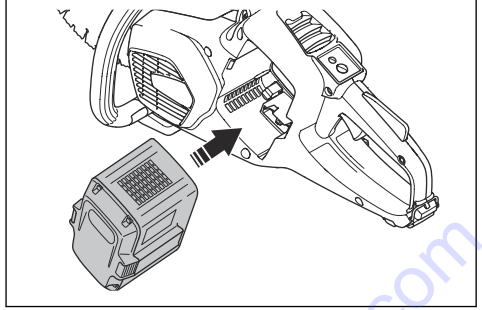
تحذير: لا تحرك المنشار الكهربائي إلى الجانب. حيث يمكن أن يمنع ذلك الحركة الحرة للشفرة ويسبب انكسارها، مما قد يسبب إصابة.



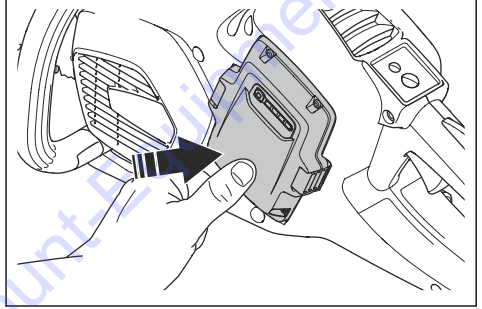
تحذير: تجنب استخدام جانب الشفرة. إذ يمكن أن تلف الشفرة وتتكسر، مما قد يسبب إصابة. استخدم حافة القطع فقط.



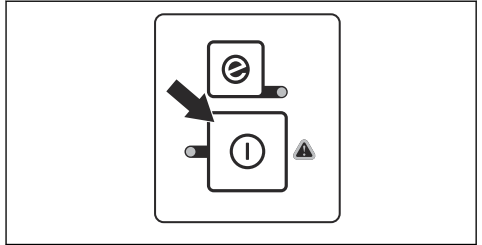
2. ضع البطارية في حامل البطارية.



3. اضغط على الجزء السفلي من البطارية حتى تسمع صوت طقطة. إذا لم تحرك البطارية إلى داخل حامل البطارية بسهولة، فإنها تكون غير مثبتة بشكل صحيح في حامل البطارية.



4. اضغط باستمرار على زر التشغيل/الإيقاف حتى يعمل ضوء LED الأخضر.



استخدام وظيفة Save

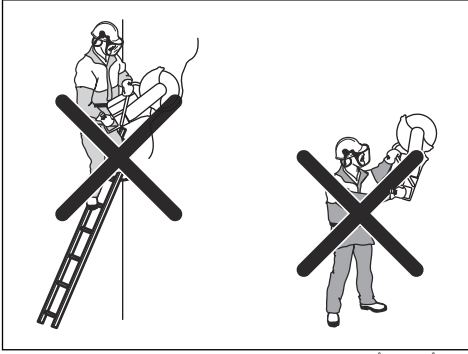
هذا المنتج مزود بوظيفة لحفظ الطاقة، تسمى Save. تقلل وظيفة Save من سرعة الشفرة وتحقق أطول وقت تشغيل من البطارية.

ملاحظة: لا تقلل وظيفة Save من قدرة المنتج على القطع.

1. اضغط على زر Save على لوحة المفاتيح.

2. تأكد من أن ضوء LED الأخضر يعمل.

• لا تعمل فوق سلم.

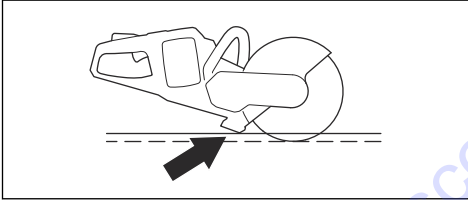


• تأكد من أن شفرة القطع حرة عند بدء تشغيل المحرك.

• راقب دائماً المنتج عند تشغيل المحرك.

• لا تحرك المنتج أثناء دوران شفرة القطع. حيث يحتوي المنتج على مبط كهربائي لتقليل وقت توقف الشفرة.

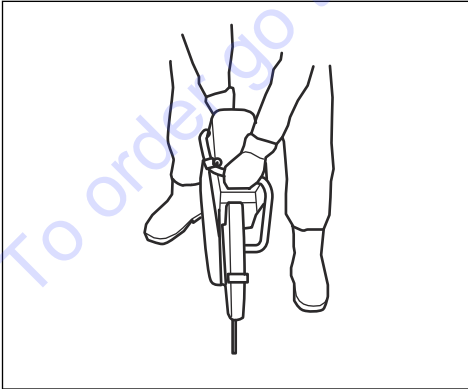
• تأكد من أن الدعامة الأرضية الأمامية مستوية سطحياً مع قطعة العمل في الخلف، يجمع وافي الشفرة الرذاذ والغبار ويبعدهما عن المشغل.



• اقطع بسرعة كاملة. حافظ على سرعة الدوران كاملة حتى تكتمل عملية القطع.

• ادفع شفرة القطع برفق في اتجاه الجسم الذي تقطعه، ولا تستخدم القوة.

• قم بمحاذاة شفرة القطع بمكان القطع.



تحذير: لا تستخدم شفرة ماسية لقطع مادة بلاستيكية. فالحرارة الناتجة قد تصهر البلاستيك ويمكن أن يلتصق البلاستيك المنصهر بشفرة القطع ويسبب ارتداداً.



• المنتج مصنوع للشفرة الماسية عالية السرعة المعتمدة للمناشير الكهربائية المحمولة باليد.

• صنع الجهاز لقطع القرميد والخرسانة الخفيفة والأحجار. استخدمه لهذا النوع من التشغيل فقط.

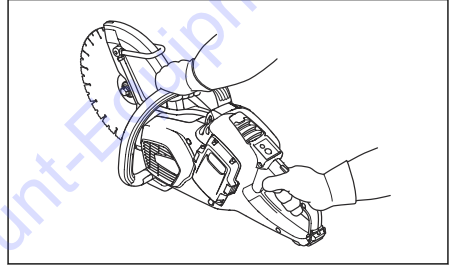
• تأكد من أن شفرة القطع لا تظهر عليها أي علامات تلف ومن أنها مبنية بشكل صحيح، راجع شفرات السحج في الصفحة 34 وثبتت شفرة القطع في الصفحة 36.

• احرص على استخدام شفرة القطع المناسبة لنوع التشغيل، راجع شفرات القطع المخصصة للمناشير الآلية اليدوية عالية السرعة في الصفحة 33.

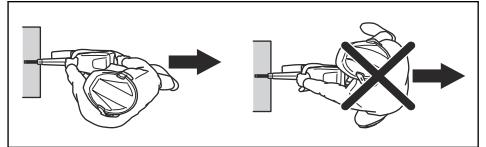
• لا تقطع مادة الحرير الصخري.

• أمسك المنشار الآلي باليدين دائماً. أمسك المنتج بإحكام مع

• وضع الإبهام والأصابع حول المقابض دائماً. أمسك المقبض الخلفي باليد اليمنى والمقبض الأمامي باليد اليسرى دائماً.



• كن دائماً موازياً لشفرة القطع. لا تقف خلف شفرة القطع مباشرة. إذا حدث ارتداد، فإن المنشار الآلي يتحرك في مستوى شفرة القطع.



• حافظ على وجود مسافة أمنة من شفرة القطع عندما يكون المحرك قيد التشغيل.

• تأكد من أنك في موضع ثابت أثناء التشغيل.

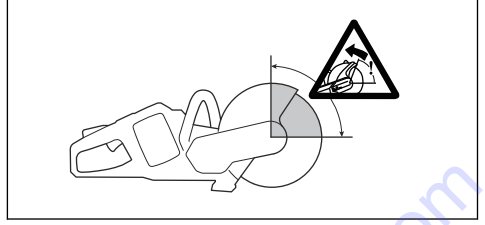
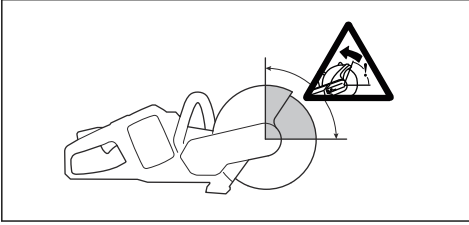
• حافظ على وجود مسافة ملائمة من الجسم الذي تقوم بقطعه.

• لا تقم بالعمل أعلى ارتفاع الكتف. واستخدم منصة أو سقالة إذا كانت عملية القطع فوق مستوى الكتف. لا تمد يديك بعيداً.

منطقة الارتداد

- حرك شفرة القطع ببطء للأمام والخلف لتقليل المساحة بين شفرة القطع والمادة. وهذا بدوره يقلل من درجة حرارة شفرة القطع.

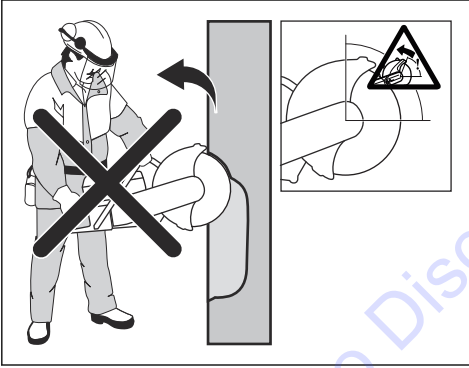
- تجنب القطع عند منطقة ارتداد شفرة القطع. إذا تعرضت الشفرة للقرص في منطقة الارتداد، فإن القوة الارتدادية تجعل المنتج يدور لأعلى وأسفل. وقد يصطدم بالمشغل وينتج عن ذلك إصابة أو الوفاة.



- تجنب القطع عند منطقة ارتداد الشفرة، راجع الارتداد في الصفحة 40.

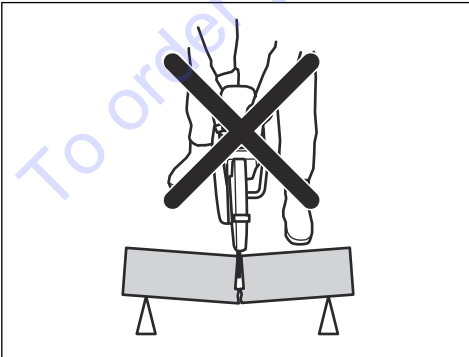
الارتداد العلوي

- تجنب استخدام منطقة الارتداد. فعند استخدام منطقة الارتداد للقطع، ستحرك القوة الارتدادية الشفرة لأعلى في مكان القطع. لذلك، استخدم الجزء السفلي من الشفرة لتجنب الارتداد العلوي.



الارتداد الانضغاطي

- تتعرض الشفرة للقرص عندما ينغلق مكان القطع ويوقف دوران الشفرة. إذا تعرضت الشفرة للقرص، فقد تسبب شدة القوة الارتدادية في فقدان الارتداد.



الارتداد

- **تحذير:** تكون الارتدادات مفاجئة ويمكن أن تكون خطيرة جداً. يمكن تحريك المنتج إلى الأعلى والخلف في اتجاه المشغل في حركة دوارة. وقد تحدث إصابة أو وفاة كنتيجة محتملة للارتداد. تأكد من أنك تفهم أسباب الارتدادات وكيفية منعها قبل استخدام المنتج.

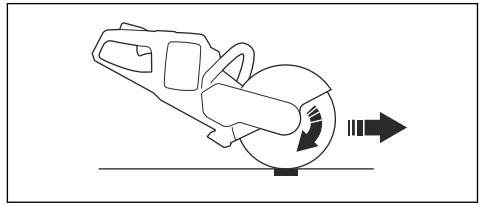


- يحدث الارتداد عند تعرض الشفرة للقرص في منطقة الارتداد. وهو لا يكون خطيراً في العادة، لكن الارتداد القوي قد يؤدي إلى إصابة أو الوفاة.



القوة الارتدادية

- تسحب القوة الارتدادية المنتج في الاتجاه المعاكس لاتجاه حركة الشفرة. وفي معظم الوقت لا تكون هذه القوة شديدة. إذا تعرضت الشفرة للقرص، فقد تسبب شدة القوة الارتدادية حدوث ارتداد.



- لا تقم بإمالة المنتج أثناء دوران آلة القطع. إذ يمكن أن تقلل قوى الطرد المركزي من الحركة.

4. انتقل إلى الجزء الثاني (II) واقطع من الجزء الأول (I) إلى أسفل الأنبوب.
5. انتقل إلى الجزء الثالث (III) واقطع الجزء المتبقي من الأنبوب.
6. تأكد من إبقاء الأنبوب في موضعه الصحيح. يجب تحريك نهاية الأنبوب إلى الأسفل أثناء القطع.

- تأكد من أن قطعة العمل ثابتة لإبقاء مكان القطع مفتوحاً أثناء عملية القطع. قدّر الحركة المحتملة لقطعة العمل أثناء المرحلة الأخيرة من عملية القطع. تأكد من فتح مكان القطع أثناء عملية القطع. فقد يسبب القطع الذي ينغلق ارتداداً انضغاطياً.

لقطع الأنابيب

لمنع التعرض للقرص

تحذير: لا تسمح بإغلاق مكان القطع أثناء عملية القطع. فقد يتسبب مكان القطع الذي ينغلق في التعرض للقرص، مما يسبب ارتداد شفرة القطع أو تلفها.



تحذير: سيتسبب تعرض الشفرة للقرص في منطقة الارتداد في ارتدادها.



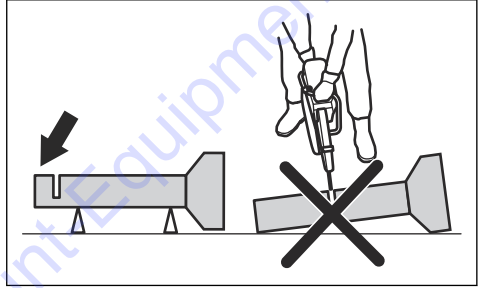
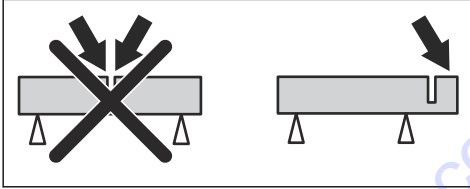
توّجّ الحذر عند قطع الأنابيب، حيث يجب إبقاء الأنبوب في موضعه الصحيح وإبقاء مكان القطع مفتوحاً أثناء عملية القطع. إذا لم يحدث ذلك، فيمكن أن تتعرض الشفرة للقرص. توجّ أشد الحذر عند قطع أنبوب بطرف جرسى أو أنبوب في حفرة. إذا لم يكن لديها دعم مناسب، فيمكن أن تتعرض الشفرة للقرص.

1. تأكد من أن الأنبوب لا يتحرك أثناء القطع.

تحذير: توجّ الحذر عند وضع شفرة القطع في مكان القطع الذي كانت موجودة فيه قبل ذلك.



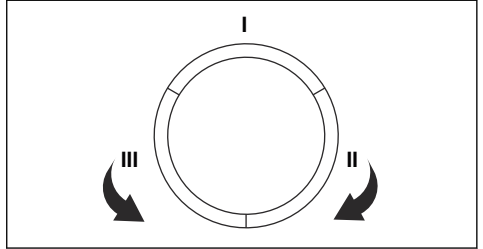
- تأكد من أن قطعة العمل لا يمكن أن تتحرك أثناء عملية القطع.
- تأكد من أن قطعة العمل ثابتة لإبقاء مكان القطع مفتوحاً أثناء عملية القطع.
- قدّر الحركة المحتملة لقطعة العمل أثناء المرحلة الأخيرة من عملية القطع.
- تأكد من فتح مكان القطع أثناء عملية القطع.



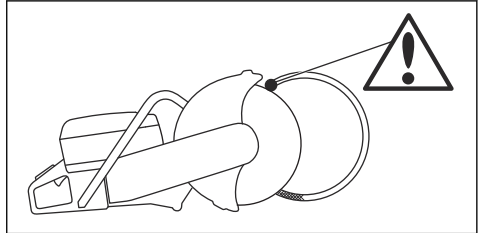
2. اقطع من الجزء الأول (I).

للتحكم في الغبار

- يحتوي المنتج على طقم مياه منخفض التدفق. استعمل القطع الرطب إذا أمكن. راجع الإرشادات الواردة في *توصيل الماء المبرد في الصفحة 37*. يختلف التدفق المناسب بحسب اختلاف أنواع المهام. إذا انفصل خرطوم المياه عن مصدر الإمداد، فيمكن أن يكون ضغط الماء كبيراً جداً. راجع *البيانات الفنية في الصفحة 45* لمعرفة ضغط المياه الموصى به.
- اضبط تدفق المياه بواسطة الصمام.



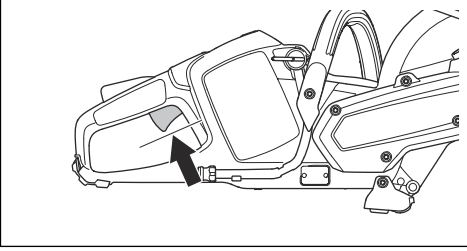
3. تأكد من فتح مكان القطع لمنع تعرض الشفرة للقرص.



الصيانة

مقدمة

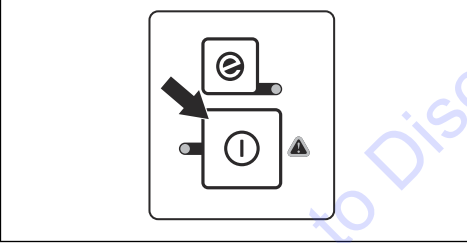
3. تأكد من قفل زناد الطاقة في وضع التباطؤ عند تحرير تأمين قفل زناد الطاقة.



4. شغّل المنتج واستعمل الطاقة الكاملة.
5. حرّر زناد الطاقة وتأكد من توقف شفرة القطع. إذا استمرت شفرة القطع في الدوران عند وجود زناد الطاقة في وضع التباطؤ، فتوجه إلى وكيل الخدمة الخاص بك.

لفحص لوحة المفاتيح

1. شغّل المنتج. راجع لفحص تأمين قفل زناد الطاقة في الصفحة 42
2. اضغط على زر التشغيل/الإيقاف مجدداً.
3. تأكد من توقف المنتج عند الضغط مع الاستمرار على الزر. ينطفئ ضوء LED الأخضر.



لتنظيف البطارية وشاحن البطارية

تنبيه: لا تنظف البطارية أو شاحن البطارية بالماء.

- تأكد من أن البطارية وشاحنها نظيفان وجافان قبل وضعك البطارية في شاحن البطارية.
- نظّف أطراف البطارية بالهواء المضغوط أو استعمل قطعة قماش ناعمة وجافة.
- نظّف أسطح البطارية وشاحن البطارية بقطعة قماش ناعمة وجافة.

تحذير: اقرأ فصل السلامة وافهمه قبل إجراء أعمال الصيانة على المنتج.



تحذير: قم بإزالة البطارية قبل إجراء أعمال الصيانة على المنتج.



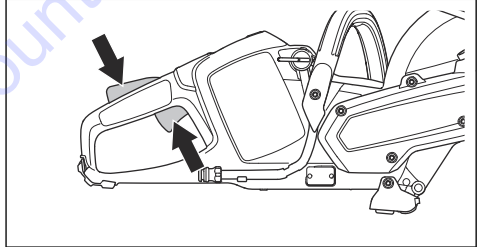
تحذير: فقد يفأل عدم إجراء أعمال الصيانة بشكل صحيح من دورة حياة المنتج ويزيد من خطر وقوع الحوادث. ويجب إجراء كل أعمال الخدمة وأو الإصلاح بواسطة متخصص محترف. توجه إلى وكيل الخدمة الخاص بك لمزيد من المعلومات.



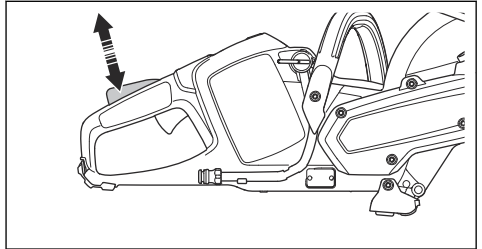
صيانة أجهزة السلامة الخاصة بالمنتج وفحوصاتها

لفحص تأمين قفل زناد الطاقة

1. تأكد من حرية حركة زناد الطاقة وتأمين قفل زناد الطاقة ومن أن زنبرك الرجوع يعمل بطريقة صحيحة.



2. اضغط على تأمين قفل زناد الطاقة وتأكد من عودته إلى وضعه الأولي عند تحريره.



لفحص شاحن البطارية

1. نظّف نظام التبريد بفرشاة أسبوعيًا أو بشكل متكرر أكثر إذا لزم الأمر.
2. تأكد من عدم اتساخ نظام التبريد أو انسداده.

تنبيه: فقد بسبب اتساخ أو انسداد نظام التبريد ارتفاع درجة حرارة المنتج بصورة بالغة.



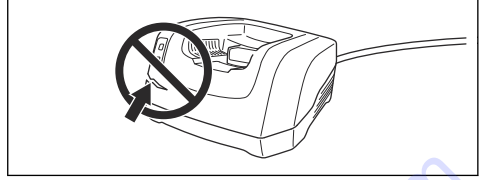
برنامج الصيانة

تحذير: قم بإزالة البطارية قبل إجراء أعمال الصيانة.



فيما يلي قائمة بخطوات الصيانة التي يجب إجراؤها على المنتج.

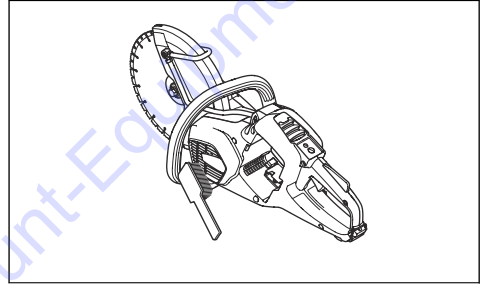
1. تأكد من أن شاحن البطارية وسلك مصدر الطاقة غير تالفين. ابحث عن أي تشققات أو عيوب أخرى.



تنظيف نظام التبريد

يحتوي المنتج على نظام تبريد يحافظ على انخفاض درجة حرارة المنتج قدر الإمكان.

يتضمن نظام التبريد مأخذًا للهواء على الجانب الأيسر من المنتج ومروحة على المحرك.



شهرًا	أسبوعيًا	قبل الاستخدام	الصيانة
		X	نظّف الأجزاء الخارجية للمنتج.
		X	تأكد من أن زناد الطاقة وتأمين قفل زناد الطاقة يعملان بشكل صحيح من حيث السلامة.
		X	افحص شفرة القطع. ابحث عن تشققات، وتأكد من أن شفرة القطع غير متهاكة. واستبدلها إذا لزم الأمر.
		X	نظّف مبيت المروحة الخاص بالمنتج.
		X	احرص على إحكام ربط البراغي والصواميل.
		X	تأكد من أن لوحة المفاتيح تعمل بشكل صحيح وأنها غير تالفة.
X			افحص الوصلات بين البطارية والمنتج. وافحص التوصيل بين البطارية وشاحن البطارية.
X			قم بنفخ الهواء المضغوط برفق على المنتج والبطارية.

استكشاف الأخطاء وإصلاحها

لوحة المفاتيح

المشكلة	السبب	الحل
وميض مؤشر التحذير.	انحراف درجة الحرارة.	اترك المنتج يبرد.
	الحمل الزائد. أداة القطع المرفقة مسدودة.	نظف أداة القطع المرفقة.
	تم الضغط على زناد الطاقة وزر التشغيل في نفس الوقت.	حرر زناد الطاقة.
وميض LED الأخضر.	انخفاض جهد البطارية.	اشحن البطارية.
مؤشر التحذير في وضع التشغيل.	الخدمة.	توجّه إلى وكيل الخدمة الخاص بك.

البطارية

المشكلة	السبب	الحل
وميض مؤشر التحذير.	البطارية ليست مشحونة.	اشحن البطارية.
	انحراف درجة الحرارة.	استخدم البطارية في بيئة تتراوح فيها درجة الحرارة بين -10 درجات مئوية/14 درجة فهرنهايت و40 درجة مئوية/104 درجات فهرنهايت.
	الجهد عالي للغاية.	تحقق من أن جهد البطارية مماثل للجهد الموجود على لوحة التقدير الخاصة بالمنتج. قم بإزالة البطارية من شاحن البطارية.
مؤشر التحذير في وضع التشغيل.	تباين خلايا البطارية أكثر من اللازم (1 فولت).	توجّه إلى وكيل الخدمة الخاص بك.

شاحن البطارية

المشكلة	السبب	الحل
وميض مؤشر التحذير.	انحراف درجة الحرارة.	استخدم البطارية في بيئة تتراوح فيها درجة الحرارة بين 5 درجات مئوية/41 درجة فهرنهايت و40 درجة مئوية/104 درجات فهرنهايت.
مؤشر التحذير في وضع التشغيل.		توجّه إلى وكيل الخدمة الخاص بك.

النقل والتخزين وطريقة التخلص من المنتج

النقل والتخزين

- التزم بالمتطلبات الخاصة المذكورة على العبوة والملصقات الخاصة بالنقل التجاري، بما في ذلك تلك المقدمة من الجهات الخارجية ووكلاء الشحن.

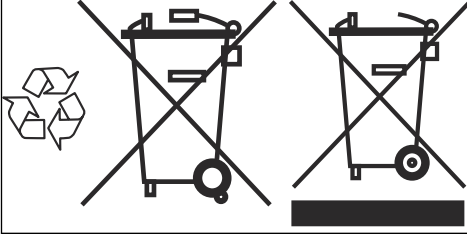
- تستوفى بطاريات الليثيوم أيون المقدمة متطلبات تشريعات البضائع الخطرة.

- تَبَّهَ المنتج بحذر أثناء النقل.

التخلص من البطارية وشاحن البطارية والمنتج

يعني الرمز الموجود أدناه أن المنتج ليس من النفايات المنزلية. لذلك احرص على إعادة تدويره في محطة لإعادة تدوير المعدات الكهربائية والإلكترونية. يساعد هذا في تجنب وقوع ضرر على البيئة أو الأشخاص.

تحدّث إلى السلطات المحلية أو خدمة النفايات المنزلية أو إلى وكيلك للحصول على مزيد من المعلومات.



ملاحظة: يظهر الرمز على المنتج أو على عبوة المنتج.

- تحدث إلى شخص تلقى تدريباً خاصاً على المواد الخطرة قبل إرسال المنتج. التزم بجميع اللوائح المحلية المعمول بها.
- استخدم شريطاً على أطراف التلامس المكشوفة عند وضع البطارية في عبوة. ضع البطارية في العبوة بإحكام لمنع الحركة.
- قم بإزالة البطارية عند التخزين أو النقل.
- ضع البطارية وشاحن البطارية في مساحة جافة وخالية من الرطوبة والبرودة.
- لا تحتفظ بالبطارية في منطقة يمكن أن تولد فيها الكهرباء الساكنة. لا تحتفظ بالبطارية في صندوق معدني.
- خزّن البطارية في مكان تتراوح درجة الحرارة فيه بين 5 درجات مئوية (41 درجة فهرنهايت) و25 درجة مئوية (77 درجة فهرنهايت) بعيداً عن ضوء الشمس المباشر.
- خزّن شاحن البطارية في مكان تتراوح درجة الحرارة فيه بين 5 درجات مئوية (41 درجة فهرنهايت) و45 درجة مئوية (113 درجة فهرنهايت) بعيداً عن ضوء الشمس المباشر.
- اشحن البطارية حتى 30% أو 50% قبل تخزينها لفترات طويلة.
- خزّن شاحن البطارية في مساحة مغلقة وجافة.
- احتفظ بالبطارية بعيداً عن شاحن البطارية أثناء التخزين. لا تسمح للأطفال وغيرهم من الأشخاص غير المعتمدين بلمس المعدات. احتفظ بالمعدات في مكان يمكنك إغلاقه.
- نظّف المنتج وأجر له خدمة كاملة قبل تخزينه لفترة طويلة.
- استخدم واقي النقل على المنتج لمنع وقوع إصابات أو ضرر للمنتج أثناء النقل والتخزين.

البيانات الفنية

البيانات الفنية

Husqvarna K 535i			
الجهد الكهربائي		36 فولت	
الوزن بوحدة كجم (رطل)		3.5 (7.7)	
قطر الشفرة، ملم (بوصة)		230 (9)	
أقصى سُمك للشفرة، ملم (بوصة)	شفرات السحج	3.0 (0.1)	
	شفرات ماسية	1.8 (0.07)	
السرعة المقدره للوحده		5940 دورة في الدقيقة	
التبريد بالمياه			
تبريد الشفرة بالماء		نعم	
فوهة التوصيل		النوع "Gardena"	
ضغط الماء الموصى به، بار (رطل/بوصة مربعة)		0.5 - 6 (7.3 - 87)	
ضغط الماء الأقصى، بار (رطل/بوصة مربعة)		6 (87)	
مستويات الاهتزاز، a_{hvq}^1		انبعاثات الضوضاء ²	
الجهة الأمامية/اليسرى	الجهة الخلفية اليمنى	LpA	LwA
م/ثانية ²	م/ثانية ²	ديسبيل (A)	ديسبيل (A)
1,9	2,3		
BLi200			

111,5	100,5	2,5	2,1	BLi300
<p>¹ تم قياس القيمة الإجمالية المعلنة للاهتزاز وفقاً للمواصفة EN 60745-2-22 ويمكن استخدامها للمقارنة بين أداة وأخرى. كما يمكن استخدام القيمة الإجمالية المعلنة للاهتزاز أيضاً في تقييم أولى للتعرض.</p> <p>² تُقاس انبعاثات الضوضاء وفقاً للمواصفة EN 60745-2-22.</p> <ul style="list-style-type: none"> • الشك بالنسبة إلى مستوى طاقة الصوت ذي الموازنة من النوع K_{PA} A هو 3 ديسيبل (A). • الشك بالنسبة إلى مستوى ضغط الصوت ذي الموازنة من النوع K_{PA} A هو 3 ديسيبل (A). 				

الملحقات

البطاريات المعتمدة للمنتج

البطارية	BLi200	BLi300
النوع	ليثيوم أيون	ليثيوم أيون
سعة البطارية، أمبير في الساعة	5,2	9,4
الجهد الاسمي، فولت	36	36
الوزن، كجم / رطل	2,9 / 1,3	4,2 / 1,9

شواحن البطاريات المعتمدة للمنتج

شاحن البطارية	QC330
جهد المأخذ الرئيسي، فولت	100-240
التردد، هرتز	50-60
الطاقة، واط	330

Περιεχόμενα

Εισαγωγή.....	48	Αντιμετώπιση προβλημάτων.....	69
Ασφάλεια.....	50	Μεταφορά, αποθήκευση και απόρριψη.....	70
Συναρμολόγηση.....	57	Τεχνικά στοιχεία.....	71
Λειτουργία.....	61	Αξεσουάρ.....	72
Συντήρηση.....	67	Δήλωση Συμμόρφωσης ΕΚ.....	73

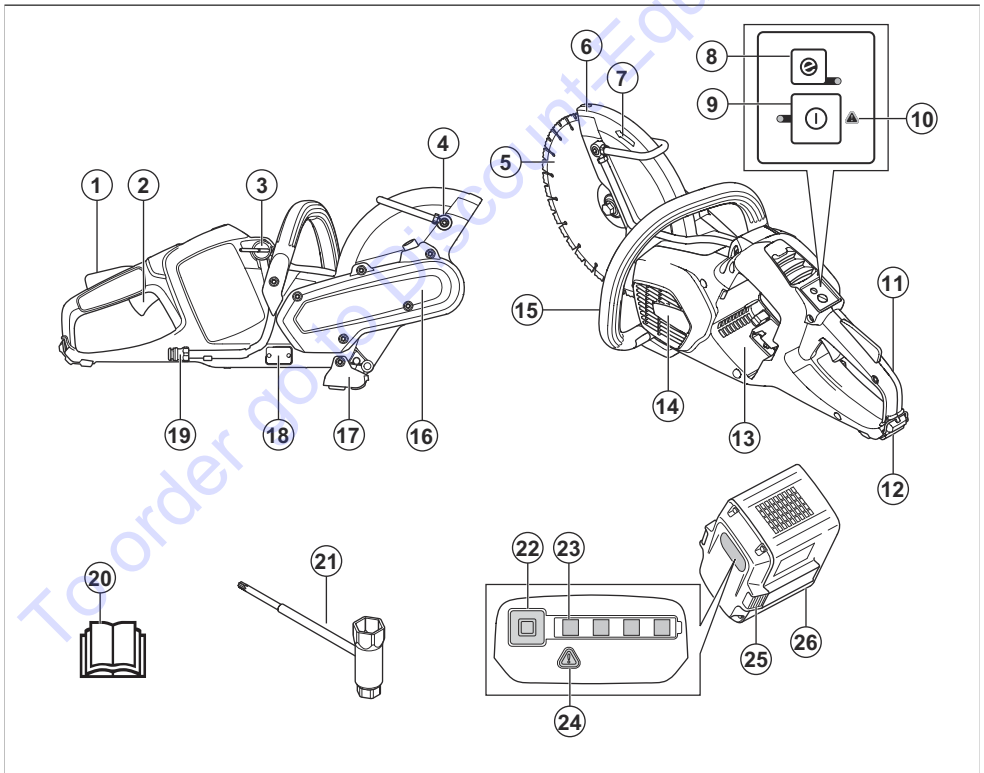
Εισαγωγή

Περιγραφή προϊόντος

Το Husqvarna K 535i είναι ένα φορητό μηχάνημα κοπής. Το προϊόν τροφοδοτείται με ρεύμα από μια μπαταρία.

Εργαζόμαστε συνεχώς για απολαμβάνετε μεγαλύτερη ασφάλεια και υψηλότερη απόδοση κατά τη διάρκεια της εργασίας. Απευθυνθείτε στον αντιπρόσωπο σέρβις για περισσότερες πληροφορίες.

Επισκόπηση προϊόντος



1. Ασφάλεια σκανδάλης γκαζιού
2. Σκανδάλη γκαζιού

3. Βαλβίδα νερού
4. Ακροφύσιο νερού

Προβλεπόμενη χρήση

Αυτό το προϊόν χρησιμοποιείται για την κοπή πλακιδίων οροφής, πλακών κήπου και ελαφρού σκυροδέματος.

Περιεχόμενα Οι εθνικοί κανονισμοί μπορεί να επιβάλλουν περιορισμούς στη χρήση του προϊόντος.

5. Λεπίδα κοπής
6. Προφυλακτήρας λεπίδας
7. Περιστροφή λεπίδας
8. Κουμπί εξοικονόμησης SavE
9. Κουμπί εκκίνησης και διακοπής
10. Προειδοποιητική ένδειξη
11. Οπίσθια χειρολαβή με προφυλακτήρα δεξιού χεριού
12. Πίσω στήριγμα εδάφους με κρικό πρόσδεσης σχοινιού
13. Υποδοχή μπαταρίας
14. Περιβλήμα φερωτής
15. Εμπρόσθια χειρολαβή
16. Προστατευτικό ιμάντα
17. Εμπρός στήριγμα εδάφους
18. Πινακίδα στοιχείων μηχανήματος
19. Σύνδεση νερού με φίλτρο
20. Εγχειρίδιο χρήσης
21. Γερμανοπολύγωνο κλειδί
22. Κουμπί, κατάσταση μπαταρίας
23. Κατάσταση μπαταρίας
24. Προειδοποιητική ένδειξη
25. Κουμπί απασφάλισης μπαταρίας
26. Μπαταρία (δεν περιλαμβάνεται)

Σύμβολα στο προϊόν



Κίνδυνος σοβαρού τραυματισμού ή θανάτου του χειριστή ή άλλων ατόμων. Να είστε προσεκτικοί και να χρησιμοποιείτε το προϊόν σωστά.



Διαβάστε προσεκτικά το εγχειρίδιο και βεβαιωθείτε ότι έχετε κατανοήσει τις οδηγίες προτού χρησιμοποιήσετε το προϊόν.



Φοράτε εγκεκριμένο κράνος προστασίας, μέσα προστασίας αναπνοής, μέσα προστασίας ακοής και ματιών.



Αυτό το προϊόν συμμορφώνεται με τις ισχύουσες οδηγίες ΕΚ.



Οι καπνοί από την κοπή μπορεί να προκαλέσουν τραυματισμούς, αν τους εισπνεύσετε. Χρησιμοποιήστε εγκεκριμένα μέσα προστασίας αναπνοής. Φροντίστε να μην εισπνεύσετε τις αναθυμιάσεις της εξάτμισης. Βεβαιωθείτε ότι υπάρχει επαρκής ροή αέρα.



Οι σπινθήρες από τη λεπίδα κοπής μπορεί να προκαλέσουν πυρκαγιά σε εύφλεκτα υλικά όπως π.χ. βενζίνη, ξύλο, ρούχα και ξερά χόρτα.



Τα κλωστήματα (πινάγματα) μπορεί να είναι απότομα, γρήγορα και να προκαλέσουν τραυματισμούς. Διαβάστε και κατανοήστε τις οδηγίες του εγχειριδίου προτού χρησιμοποιήσετε το προϊόν.




Βεβαιωθείτε ότι η λεπίδα δεν είναι ραγισμένη ή φθαρμένη.



Μην χρησιμοποιείτε κυκλικές πριονωτές λεπίδες.



Περιβαλλοντική σήμανση. Το προϊόν ή η συσκευασία του προϊόντος δεν αποτελεί οικιακό απόρριμμα. Ανακυκλώστε το σε κέντρο ανακύκλωσης ηλεκτρικού και ηλεκτρονικού εξοπλισμού.

	Κατεύθυνση περιστροφής λεπίδας
yyyywwxxxx	Στην πινακίδα στοιχείων αναγράφεται ο αριθμός σειράς. Το yyyy είναι το έτος παραγωγής, το ww είναι η εβδομάδα παραγωγής.
∅	Μέγιστη εξωτερική διάμετρος λεπίδας
d.c.	Συνεχές ρεύμα
n	Ονομαστικές στροφές

Περιεχόμενα Άλλα σύμβολα/σήματα που υπάρχουν στο προϊόν αναφέρονται σε απαιτήσεις πιστοποίησης για ορισμένες αγορές.

Σύμβολα στην μπαταρία ή/και στο φορτιστή της μπαταρίας



Ανακυκλώστε αυτό το προϊόν σε κέντρο ανακύκλωσης ηλεκτρικού και ηλεκτρονικού εξοπλισμού. (Ισχύει μόνο για την Ευρώπη)



Μετασχηματιστής εξασφαλισμένης λειτουργίας σε περίπτωση βλάβης.



Χρησιμοποιείτε και φυλάσσετε το φορτιστή μπαταρίας μόνο σε εσωτερικούς χώρους.



Διπλή μόνωση.

Ευθύνη προϊόντος

Όπως αναφέρεται στη νομοθεσία περί ευθύνης για τα προϊόντα, δεν φέρουμε καμία ευθύνη για ζημιές που οφείλονται στο προϊόν μας εάν:

- Το προϊόν έχει επισκευαστεί λανθασμένα.
- Το προϊόν έχει επισκευαστεί με εξαρτήματα που δεν προέρχονται από τον κατασκευαστή ή που δεν έχουν εγκριθεί από τον κατασκευαστή.
- Το προϊόν διαθέτει ένα αξεσουάρ που δεν προέρχεται από τον κατασκευαστή ή που δεν έχει εγκριθεί από τον κατασκευαστή.
- Το προϊόν δεν έχει επισκευαστεί σε εγκεκριμένο κέντρο σέρβις ή από εγκεκριμένη αρχή.

Ασφάλεια

Ορισμοί για την ασφάλεια

Για την επισήμανση ειδικών σημαντικών τμημάτων του εγχειριδίου χρησιμοποιούνται προειδοποιήσεις, συστάσεις προσοχής και σημειώσεις.



ΠΡΟΕΙΔΟΠΟΙΗΣΗ: Χρησιμοποιείται όταν υπάρχει κίνδυνος τραυματισμού ή θανάτου του χειριστή ή άλλων παριστάμενων ατόμων, αν δεν τηρηθούν οι οδηγίες που παρέχονται στο εγχειρίδιο.



ΠΡΟΣΟΧΗ: Χρησιμοποιείται όταν υπάρχει κίνδυνος πρόκλησης ζημιάς στο προϊόν, σε άλλα υλικά ή στον παρακείμενο χώρο, αν δεν τηρηθούν οι οδηγίες που παρέχονται στο εγχειρίδιο.

Περιεχόμενα Χρησιμοποιείται για παροχή περισσότερων πληροφοριών, οι οποίες χρειάζονται σε μια δεδομένη κατάσταση.

Γενικές προειδοποιήσεις ασφαλείας ηλεκτρικού εργαλείου



ΠΡΟΕΙΔΟΠΟΙΗΣΗ: Διαβάστε όλες τις προειδοποιήσεις ασφαλείας και όλες τις οδηγίες. Η μη τήρηση των προειδοποιήσεων και των οδηγιών μπορεί να προκαλέσει ηλεκτροπληξία, πυρκαγιά ή/και σοβαρό τραυματισμό.

Περιεχόμενα Φυλάσσετε τις προειδοποιήσεις και τις οδηγίες ώστε να ανατρέχετε αργότερα σε αυτές. Ο όρος "ηλεκτρικό εργαλείο" που χρησιμοποιείται στις προειδοποιήσεις αναφέρεται στο εργαλείο που τροφοδοτείται από τον δικτυο ρεύματος (με καλώδιο) ή στο εργαλείο που τροφοδοτείται από μπαταρία (χωρίς καλώδιο).

Ασφάλεια στο χώρο εργασίας

- **Διατηρείτε το χώρο εργασίας καθαρό και με καλό φωτισμό.** Οι ακατάστατοι ή σκοτεινοί χώροι ενέχουν τον κίνδυνο ατυχημάτων.
- **Μην χειρίζεστε ηλεκτρικά εργαλεία σε εκρηκτικές ατμόσφαιρες, π.χ. παρουσία εύφλεκτων υγρών, αερίων ή σωματιδίων σκόνης.** Τα ηλεκτρικά εργαλεία δημιουργούν σπινθήρες, οι οποίοι ενδέχεται να προκαλέσουν την ανάφλεξη των σωματιδίων ή των καπνών.
- **Κατά το χειρισμό ενός ηλεκτρικού εργαλείου, δεν πρέπει να βρίσκονται κοντά παιδιά ή άλλοι παρευρισκόμενοι.** Ενδέχεται να αποσπάσουν την προσοχή σας, με αποτέλεσμα να χάσετε τον έλεγχο.

Ασφάλεια με το ηλεκτρικό ρεύμα

- **Το βύσμα του ηλεκτρικού εργαλείου πρέπει να ταιριάζει στην πρίζα. Μην τροποποιείτε ποτέ το βύσμα. Μην χρησιμοποιείτε προσαρμογείς με γειωμένα ηλεκτρικά εργαλεία.** Η χρήση μη τροποποιημένων φισ και συμβατών πριζών μειώνει τον κίνδυνο ηλεκτροπληξίας.
- **Αποφεύγετε την επαφή του σώματος με γειωμένες επιφάνειες, όπως σωλήνες, καλοριφέρ, κουζίνες και ψυγεία.** Υπάρχει αυξημένος κίνδυνος ηλεκτροπληξίας, εάν το σώμα σας έρθει σε επαφή με γείωση.
- **Μην εκθέτετε ηλεκτρικά εργαλεία σε βροχή ή σε συνθήκες υγρασίας.** Σε περίπτωση εισχώρησης νερού σε ηλεκτρικό εργαλείο, αυξάνεται ο κίνδυνος ηλεκτροπληξίας.
- **Μην προκαλείτε φθορά στο καλώδιο.** Μην χρησιμοποιείτε ποτέ το καλώδιο για τη μεταφορά, το τράβηγμα ή την αποσύνδεση του ηλεκτρικού εργαλείου. Φυλάσσετε το καλώδιο μακριά από θερμότητα, λάδια, αιχμηρές άκρες ή κινούμενα εξαρτήματα. Εάν το καλώδιο καταστραφεί ή εμπλακεί, αυξάνεται ο κίνδυνος ηλεκτροπληξίας.
- **Όταν χρησιμοποιείτε ένα ηλεκτρικό εργαλείο σε εξωτερικό χώρο, χρησιμοποιήστε ένα καλώδιο πρόεκτασης που είναι κατάλληλο για χρήση σε**

εξωτερικό χώρο. Η χρήση καλωδίων κατάλληλων για εξωτερικό χώρο μειώνει τον κίνδυνο ηλεκτροπληξίας.

- **Αν η χρήση ενός ηλεκτρικού εργαλείου σε χώρο με υγρασία είναι αναπόφευκτη, χρησιμοποιήστε τροφοδοσία με διάταξη προστασίας ρεύματος διαρροής (RCD).** Η χρήση μιας διάταξης RCD μειώνει τον κίνδυνο ηλεκτροπληξίας



ΠΡΟΣΟΧΗ: Μην πλένετε το μηχάνημα με νερό υπό πίεση, καθώς το νερό μπορεί να εισέλθει στο ηλεκτρικό σύστημα ή στον κινητήρα και να προκαλέσει ζημιά στο μηχάνημα ή βραχυκύκλωμα.

Προσωπική ασφάλεια

- **Να είστε προσεκτικοί, να παρακολουθείτε αυτό που κάνετε και να χρησιμοποιείτε την κοινή λογική όταν χρησιμοποιείτε ένα ηλεκτρικό εργαλείο.** Μην χρησιμοποιείτε ηλεκτρικά εργαλεία όταν είστε κουρασμένοι ή υπό την επήρεια ναρκωτικών, αλκοόλ ή φαρμάκων. Μια στιγμή απροσεξίας, κατά το χειρισμό ηλεκτρικών εργαλείων, μπορεί να οδηγήσει σε σοβαρό τραυματισμό.
- **Χρησιμοποιείτε ατομικό προστατευτικό εξοπλισμό.** Φοράτε πάντοτε προστατευτικά γυαλιά. Ο εξοπλισμός προστασίας, όπως προστατευτική μάσκα αναπνοής, αντιολισθητικά παπούτσια ασφαλείας, κράνος ή προστατευτικά ακοής σε κατάλληλες συνθήκες, μειώνει τον κίνδυνο τραυματισμών.
- **Φροντίστε ώστε να μην είναι εφικτή η ακούσια εκκίνηση.** Βεβαιωθείτε ότι ο διακόπτης βρίσκεται στη θέση OFF προτού συνδέσετε το εργαλείο στην πηγή τροφοδοσίας ή/και στην μπαταρία και προτού πάσετε ή μεταφέρετε το εργαλείο. Η μεταφορά των ηλεκτρικών εργαλείων, ενώ έχετε το χέρι σας στο διακόπτη ή η σύνδεση σε πρίζα των ηλεκτρικών εργαλείων με διακόπτη ενέχει τον κίνδυνο ατυχήματος.
- **Αφαιρέστε τυχόν κλειδιά προσαρμογής ή σύσφιξης, πριν ενεργοποιήσετε το ηλεκτρικό εργαλείο.** Ένα κλειδί σύσφιξης ή προσαρμογής που παραμένει προσαρτημένο σε κινούμενο μέρος του ηλεκτρικού εργαλείου μπορεί να οδηγήσει σε τραυματισμό.
- **Μην υπερεκτιμάτε τις δυνατότητές σας. Να πατάτε καλά τα πόδια σας και να διατηρείτε την ισορροπία σας συνέχεια.** Έτσι επιτυγχάνεται καλύτερος έλεγχος του ηλεκτρικού εργαλείου, σε τυχόν απρόβλεπτες καταστάσεις.
- **Φοράτε κατάλληλα ρούχα. Μην φοράτε φαρδιά ρούχα ή κοσμήματα. Φροντίστε ώστε τα μαλλιά, τα ρούχα και τα γάντια σας να βρίσκονται μακριά από τα κινούμενα μέρη.** Τα φαρδιά ρούχα, τα κοσμήματα ή τα μακριά μαλλιά ενδέχεται να πιαστούν σε κινούμενα μέρη.
- **Εάν παρέχονται διατάξεις για τη σύνδεση συστημάτων συλλογής και απομάκρυνσης σκόνης, βεβαιωθείτε ότι αυτές έχουν συνδεθεί και χρησιμοποιούνται σωστά.** Χρησιμοποιείτε σύστημα

συλλογής σκόνης για να μειώσετε τους κινδύνους που σχετίζονται με τη σκόνη.

- **Η εκπομπή κραδασμών κατά την πραγματική χρήση του ηλεκτρικού εργαλείου είναι να διαφέρει από τη δηλωθείσα συνολική τιμή, ανάλογα με τους τρόπους χρήσης του εργαλείου.** Οι χειριστές πρέπει να προσδιορίζουν τα μέτρα ασφαλείας για την προστασία τους που βασίζονται σε εκτίμηση της έκθεσης σε πραγματικές συνθήκες χρήσης (λαμβάνοντας υπόψη όλα τα μέρη του κύκλου λειτουργίας, όπως οι χρόνοι κατά τους οποίους το εργαλείο είναι απενεργοποιημένο και οι χρόνοι λειτουργίας ρελαντί, επιπρόσθετα της σκανδάλης).
- **Διατηρείτε απόσταση από τη λάμα όταν ο κινητήρας βρίσκεται σε λειτουργία.**

Χρήση και φροντίδα των ηλεκτρικών εργαλείων

- **Μην ασκείτε μεγάλη δύναμη στο ηλεκτρικό εργαλείο.** Χρησιμοποιείτε το κατάλληλο ηλεκτρικό εργαλείο για την εφαρμογή σας. Το κατάλληλο ηλεκτρικό εργαλείο θα έχει καλύτερα αποτελέσματα για την εργασία σας και θα είναι ασφαλέστερο, στο βαθμό για τον οποίο είναι σχεδιασμένο.
- **Μην χρησιμοποιείτε το ηλεκτρικό εργαλείο, εάν δεν μπορεί να ενεργοποιηθεί και να απενεργοποιηθεί με το διακόπτη.** Ένα ηλεκτρικό εργαλείο που δεν μπορεί να ελεγχθεί από το διακόπτη είναι επικίνδυνο και πρέπει να επισκευαστεί.
- **Αποσυνδέστε το βύσμα από την πηγή τροφοδοσίας ή/και αφαιρέστε την μπαταρία από το ηλεκτρικό εργαλείο, πριν πραγματοποιήσετε ρυθμίσεις, πριν αλλάξετε εξαρτήματα ή αποθηκεύσετε το εργαλείο.** Αυτά τα προληπτικά μέτρα ασφαλείας μειώνουν τον κίνδυνο ακούσιας εκκίνησης του ηλεκτρικού εργαλείου.
- **Φυλάσσετε τα ηλεκτρικά εργαλεία που βρίσκονται σε αδράνεια, μακριά από παιδιά και μην επιτρέπετε σε άτομα που δεν είναι εξοικειωμένα με αυτά ή με τις οδηγίες να χρησιμοποιούν το ηλεκτρικό εργαλείο.** Τα ηλεκτρικά εργαλεία είναι επικίνδυνα στα χέρια μη εκπαιδευμένων χρηστών.
- **Φροντίστε για τη συντήρηση των ηλεκτρικών εργαλείων.** Ελέγχετε για τυχόν μη ευθυγραμμισμένα ή μπλοκαρισμένα κινούμενα μέρη, ρωγμές στα διάφορα μέρη και κάθε άλλη κατάσταση που μπορεί να επηρεάζει τη λειτουργία του ηλεκτρικού εργαλείου. Σε περίπτωση ζημιάς, φροντίστε για την επισκευή του ηλεκτρικού εργαλείου πριν το χρησιμοποιήσετε. Πολλά ατυχήματα προκαλούνται από ηλεκτρικά εργαλεία που δεν συντηρούνται σωστά.
- **Διατηρείτε τα εργαλεία κοπής αιχμηρά και καθαρά.** Εάν τα εργαλεία κοπής συντηρούνται σωστά, με αιχμηρές άκρες κοπής, είναι λιγότερο πιθανή η εμπλοκή τους και πιο εύκολος ο έλεγχός τους.
- **Χρησιμοποιείτε το ηλεκτρικό εργαλείο, τα εξαρτήματα και τα τρυπάνια σύμφωνα με τις οδηγίες αυτές, λαμβάνοντας υπόψη τις συνθήκες εργασίας και την εργασία που πρέπει να εκτελεστεί.** Η χρήση των ηλεκτρικών εργαλείων για εφαρμογές διαφορετικές

TO PURCHASE THIS PRODUCT PLEASE CONTACT US



**Equipment Financing and
Extended Warranties Available**



**Discount-Equipment.com is your online resource for
commercial and industrial quality parts and equipment sales.**

561-964-4949

visit us on line @ www.discount-equipment.com

Select an option below to find your Equipment

Search by Manufacturer

Search by Product Type

Request a Quote

We sell worldwide for the brands: Genie, Terex, JLG, MultiQuip, Mikasa, Essick, Whiteman, Mayco, Toro Stone, Diamond Products, Generac Magnum, Airman, Haulotte, Barreto, Power Blanket, Nifty Lift, Atlas Copco, Chicago Pneumatic, Allmand, Miller Curber, Skyjack, Lull, Skytrak, Tsurumi, Husquvarna Target, Stow, Wacker, Sakai, Mi-T-M, Sullair, Basic, Dynapac, MBW, Weber, Bartell, Bennar Newman, Haulotte, Ditch Runner, Menegotti, Morrison, Contec, Buddy, Crown, Edco, Wyco, Bomag, Laymor, EZ Trench, Bil-Jax, F.S. Curtis, Gehl Pavers, Heli, Honda, ICS/PowerGrit, IHI, Partner, Imer, Clipper, MMD, Koshin, Rice, CH&E, General Equipment, Amida, Coleman, NAC, Gradall, Square Shooter, Kent, Stanley, Tamco, Toku, Hatz, Kohler, Robin, Wisconsin, Northrock, Oztec, Toker TK, Rol-Air, APT, Wylie, Ingersoll Rand / Doosan, Innovatech, Con X, Ammann, Mecalac, Makinex, Smith Surface Prep, Small Line, Wanco, Yanmar

από αυτές για τις οποίες προορίζονται μπορεί να οδηγήσει σε επικίνδυνες καταστάσεις.

- **Δεν επιτρέπονται, σε καμία περίπτωση, οι τροποποιήσεις στον αρχικό σχεδιασμό του μηχανήματος χωρίς την έγκριση του κατασκευαστή.** Χρησιμοποιείτε πάντα γνήσια ανταλλακτικά. Οι μη εγκεκριμένες τροποποιήσεις ή/και τα μη εγκεκριμένα εξαρτήματα μπορεί να προκαλέσουν σοβαρό τραυματισμό ή θάνατο του χρήστη ή άλλων ατόμων.
- **Βεβαιωθείτε ότι κανένας αγωγός ή ηλεκτρικό καλώδιο δεν διασχίζει το χώρο εργασίας ή αγγίζει το υλικό που πρόκειται να κοπεί.**
- **Ελέγχετε πάντα και σημειώνετε τις θέσεις από τις οποίες προέρουν οι σωληνές αερίου.** Η κοπή κοντά στους σωληνές αερίου ενέχει πάντα κίνδυνο. Βεβαιωθείτε ότι δεν δημιουργούνται σπινθήρες κατά την κοπή, καθώς υπάρχει κίνδυνος έκρηξης. Παραμένετε συγκεντρωμένοι στην εργασία σας. Η απροσεξία μπορεί να οδηγήσει σε σοβαρό τραυματισμό ή ακόμα και θάνατο.

Χρήση και φροντίδα εργαλείων μπαταρίας

- **Να επαναφορτίζετε μόνο με το φορτιστή που ορίζεται από τον κατασκευαστή.** Ένας φορτιστής κατάλληλος για έναν τύπο συστοιχίας μπαταριών μπορεί να δημιουργήσει κίνδυνο φωτιάς κατά τη χρήση με άλλη συστοιχία μπαταριών.
- **Χρησιμοποιήστε τα ηλεκτρικά εργαλεία μόνο με τις καθορισμένες συστοιχίες μπαταριών.** Η χρήση οποιασδήποτε άλλης μπαταρίας μπορεί να προκαλέσει κίνδυνο τραυματισμού και πυρκαγιάς.
- **Όταν η μπαταρία δεν χρησιμοποιείται, πρέπει να την φυλάσσετε μακριά από άλλα μεταλλικά αντικείμενα, όπως συνδετήρες, νομίσματα, κλειδιά, καρφιά, βίδες ή άλλα μικρά μεταλλικά αντικείμενα, που μπορεί να προκαλέσουν ένωση των πόλων.** Η βραχυκύκλωση των ακροδεκτών της μπαταρίας μεταξύ τους μπορεί να προκαλέσει εγκαύματα ή πυρκαγιά.
- **Σε περίπτωση ακατάλληλου χειρισμού, μπορεί να εκπιαχθεί υγρό από την μπαταρία. Αποφεύγετε κάθε επαφή. Σε περίπτωση τυχαίας επαφής, ξεπλύνετε με νερό. Εάν το υγρό έρθει σε επαφή με τα μάτια, ζητήστε επίσης ιατρική βοήθεια.** Η εκτόξευση υγρού από την μπαταρία μπορεί να προκαλέσει ερεθισμούς ή εγκαύματα.

Σέρβις

- **Αναθέστε το σέρβις του ηλεκτρικού σας εργαλείου σε εξειδικευμένο τεχνικό για επισκευή με τη χρήση μόνο πατομοιότυπων ανταλλακτικών.** Έτσι θα διασφαλίζεται η διατήρηση της ασφάλειας του ηλεκτρικού εργαλείου.

Προειδοποίηση ασφαλείας για το μηχάνημα κοπής

- Το προστατευτικό που παρέχεται με το εργαλείο πρέπει να τοποθετείται καλά στο ηλεκτρικό εργαλείο

για μέγιστη ασφάλεια έτσι, ώστε ένα ελάχιστο τμήμα του τροχού να είναι εκτεθειμένο προς τον χειριστή. Ο χειριστής και τυχόν παριστάμενα άτομα πρέπει να διατηρούν απόσταση από το επίπεδο του περιστρεφόμενου τροχού. Το προστατευτικό προστατεύει τον χειριστή από θραύσματα τροχού και ακούσια επαφή με τον τροχό.

- **Χρησιμοποιείτε μόνο συγκολλημένους ενισχυμένους τροχούς κοπής ή διαμαντοτροχούς κοπής για το ηλεκτρικό εργαλείο.** Η προσάρτηση ενός αξεσουάρ στο ηλεκτρικό εργαλείο δεν διασφαλίζει την ασφαλή λειτουργία.
- **Η ονομαστική ταχύτητα του αξεσουάρ πρέπει να είναι τουλάχιστον ίση με τη μέγιστη ταχύτητα που αναγράφεται στο ηλεκτρικό εργαλείο.** Τα αξεσουάρ που λειτουργούν με μεγαλύτερη ταχύτητα από την ονομαστική ταχύτητα μπορεί να σπάσουν και να εκπιαχθούν.
- **Οι τροχοί πρέπει να χρησιμοποιούνται μόνο για τις συνιστώμενες εφαρμογές. Για παράδειγμα, μην πραγματοποιείτε εργασίες λείανσης με το πλαϊνό μέρος του τροχού κοπής.** Οι λειαντικοί τροχοί κοπής προορίζονται για περιφερειακή λείανση. Οι πλευρικές δυνάμεις που ασκούνται σε αυτούς τους τροχούς μπορεί να τους κάνουν να θρυμματιστούν.
- **Χρησιμοποιείτε πάντα φλάντζες τροχού που βρίσκονται σε άρτια κατάσταση και έχουν τη σωστή διάμετρο για τον επλεγμένο τροχό.** Οι σωστές φλάντζες τροχού παρέχουν στήριξη στον τροχό, μειώνοντας έτσι την πιθανότητα θραύσης του τροχού.
- **Μην χρησιμοποιείτε φθαρμένους ενισχυμένους τροχούς από μεγαλύτερα ηλεκτρικά εργαλεία.** Οι τροχοί που προορίζονται για μεγαλύτερο ηλεκτρικό εργαλείο δεν είναι κατάλληλοι για την υψηλή ταχύτητα ενός μικρού εργαλείου και μπορεί να εκπιαχθούν.
- **Η εξωτερική διάμετρος και το πάχος των αξεσουάρ σας πρέπει να αντιστοιχούν στην ονομαστική απόδοση του ηλεκτρικού εργαλείου.** Τα αξεσουάρ με ακατάλληλο μέγεθος δεν μπορούν να προστατευτούν ή να ελεγχθούν επαρκώς.
- **Το μέγεθος του άξονα των τροχών και των φλαντζών πρέπει να είναι κατάλληλο για τον περιστρεφόμενο άξονα του ηλεκτρικού εργαλείου.** Οι τροχοί και οι φλάντζες με οπές άξονα που δεν αντιστοιχούν στον υλικό εξοπλισμό στερέωσης του ηλεκτρικού εργαλείου θα χάσουν τη ζυγοστάθμισή τους, θα δονούνται υπερβολικά και μπορεί να προκαλέσουν απώλεια του ελέγχου.
- **Μην χρησιμοποιείτε κατεστραμμένους τροχούς. Πριν από κάθε χρήση, ελέγχετε τους τροχούς για θραύσματα και ρωγμές. Σε περίπτωση πτώσης του ηλεκτρικού εργαλείου ή του τροχού, ελέγξτε τα για τυχόν ζημιά ή τοποθετήστε έναν τροχό που δεν έχει υποστεί ζημιά. Μετά τον έλεγχο και την τοποθέτηση του τροχού, σταθεύτε (εσείς και τυχόν παριστάμενα άτομα) μακριά από το επίπεδο του περιστρεφόμενου τροχού και θέστε σε λειτουργία το ηλεκτρικό εργαλείο με τη μέγιστη ταχύτητα χωρίς φορτίο για ένα λεπτό.**

Κατά τη διάρκεια αυτής της δοκιμής, οι φθαρμένοι τροχοί φυσιολογικά θα σπάσουν.

- **Φοράτε προσωπικό εξοπλισμό προστασίας.** Ανάλογα με την εφαρμογή, χρησιμοποιήστε προστατευτικό προσώπου, προστατευτικά γυαλιά ή γυαλιά ασφαλείας. Κατά περίπτωση, φοράτε προστατευτική μάσκα αναπνοής, προστατευτικά ακοής, γάντια και παδιά που μπορούν να παρέχουν προστασία από μικρά θραύσματα που προέρχονται από το τεμάχιο εργασίας ή το εργαλείο λείανσης. Η προστασία των ματιών πρέπει να μπορεί να παρέχει προστασία από εκτινασσόμενα θραύσματα που δημιουργούνται από διάφορες λειτουργίες. Η προστατευτική μάσκα αναπνοής ή ο αναπνευστήρας πρέπει να μπορεί να φιλτράρει σωματίδια που δημιουργούνται κατά τη λειτουργία. Η παρατεταμένη έκθεση σε θόρυβο υψηλής έντασης μπορεί να προκαλέσει απώλεια ακοής.
- **Τα παριστάμενα άτομα πρέπει να βρίσκονται σε ασφαλή απόσταση από την περιοχή εργασίας.** Όποιος εισέρχεται στο χώρο εργασίας πρέπει να φοράει προσωπικό εξοπλισμό προστασίας. Τα θραύσματα του τεμαχίου εργασίας ή ένας σπασμένος τροχός μπορεί να εκτιναχθούν και να προκαλέσουν τραυματισμό σε μεγαλύτερη απόσταση από τον εγγύτερο χώρο λειτουργίας.
- **Κρατάτε το ηλεκτρικό εργαλείο μόνο από τις μονωμένες επιφάνειες λαβής, όταν εκτελείτε λειτουργίες κατά τις οποίες το αξεσουάρ κοπής μπορεί να έρθει σε επαφή με κρυμμένη καλωδίωση.** Αν το αξεσουάρ κοπής έρθει σε επαφή με ένα καλώδιο "υπό τάση", μπορεί να θέσει τα εκτεθειμένα μεταλλικά μέρη του ηλεκτρικού εργαλείου "υπό τάση" και να προκληθεί ηλεκτροπληξία στο χειριστή.
- **Μην ακουμπάτε ποτέ κάτω το ηλεκτρικό εργαλείο, μέχρι το αξεσουάρ να ακινητοποιηθεί εντελώς.** Ο περιστρεφόμενος τροχός μπορεί να πισταί στην επιφάνεια και να χάσετε τον έλεγχο του ηλεκτρικού εργαλείου.
- **Μην χρησιμοποιείτε το ηλεκτρικό εργαλείο ενώ το μεταφέρετε κρατώντας το στο πλάι.** Τυχόν ακούσια επαφή με το περιστρεφόμενο αξεσουάρ μπορεί να πιάσει τα ρούχα σας, τραβώντας το αξεσουάρ στο σώμα σας.
- **Καθαρίζετε τακτικά τους αεραγωγούς του ηλεκτρικού εργαλείου.** Η φερωτή του μοτέρ θα τραβήξει τη σκόνη στο εσωτερικό του περιβλήματος, ενώ η υπερβολική συσσώρευση μεταλλικής σκόνης μπορεί να προκαλέσει ηλεκτρικούς κινδύνους.
- **Μην χρησιμοποιείτε το ηλεκτρικό εργαλείο κοντά σε εύφλεκτα υλικά.** Οι σπινθήρες μπορεί να προκαλέσουν ανάφλεξη αυτών των υλικών.

Κλώτσημα (τίναγμα) και σχετικές προειδοποιήσεις

- Το κλώτσημα (τίναγμα) είναι μια ξαφνική αντίδραση σε μαγκωμένο ή σκαλωμένο περιστρεφόμενο τροχό. Το μάγκωμα ή το σκάλωμα προκαλεί ταχεία ακινητοποίηση του περιστρεφόμενου τροχού, ενώ το ανεξέλεγκτο ηλεκτρικό εργαλείο κατευθύνεται με

δύναμη προς την αντίθετη κατεύθυνση από την φορά περιστροφής του τροχού στο σημείο του μπλοκαρίσματος.

- **Για παράδειγμα, αν ένας τροχός λείανσης σκαλώσει ή μαγκώσει στο τεμάχιο εργασίας, το άκρο του τροχού που εισέρχεται στο σημείο μαγκώματος μπορεί να βυθιστεί στην επιφάνεια του υλικού και ο τροχός να βγει από τη θέση του ή να κλωτσήσει.** Ο τροχός μπορεί να αναπηδήσει προς τα εμπρός ή μακριά από το χειριστή, ανάλογα με την κατεύθυνση της κίνησης του τροχού στο σημείο μαγκώματος. Οι τροχοί λείανσης μπορεί επίσης να σπάσουν σε αυτές τις συνθήκες.
- **Το κλώτσημα (τίναγμα) είναι το αποτέλεσμα της κλής χρήσης του ηλεκτρικού εργαλείου ή/και των εσφαλμένων διαδικασιών ή συνθηκών λειτουργίας, ενώ μπορεί να αποφευχθεί με τις κατάλληλες προφυλάξεις που αναφέρονται παρακάτω.**
- **Κρατήστε καλά το ηλεκτρικό εργαλείο και τοποθετήστε το σώμα και το βραχιόνά σας έτσι, ώστε να μπορείτε να αντισταθείτε στις δυνάμεις κλωτσήματος (τινάγματος).** Χρησιμοποιείτε πάντα τη βοηθητική λαβή, εάν υπάρχει, για μέγιστο έλεγχο του κλωτσήματος (τινάγματος) ή της αντίδρασης ροπής κατά την έναρξη λειτουργίας. Ο χειριστής μπορεί να ελέγξει τις αντιδράσεις ροπής ή τις δυνάμεις κλωτσήματος (τινάγματος), αν ληφθούν οι κατάλληλες προφυλάξεις.
- **Μην τοποθετείτε ποτέ το χέρι σας κοντά στο περιστρεφόμενο αξεσουάρ.** Το αξεσουάρ μπορεί να κλωτσήσει (τιναχτεί) πάνω από το χέρι σας.
- **Μην τοποθετείτε το σώμα σας στην ίδια ευθεία με τον περιστρεφόμενο τροχό.** Το κλώτσημα (τίναγμα) θα ωθήσει το εργαλείο σε κατεύθυνση αντίθετη προς την κίνηση του τροχού στο σημείο σκαλώματος.
- **Να είστε ιδιαίτερα προσεκτικοί κατά την εργασία σε γωνίες, αιχμηρά άκρα κ.λπ.** Φροντίστε το αξεσουάρ να μην αναπηδήσει και να μην σκαλώσει. Οι γωνίες, τα αιχμηρά άκρα ή οι αναπηδήσεις έχουν την τάση να πιάνουν το περιστρεφόμενο αξεσουάρ και να προκαλούν απώλεια ελέγχου ή κλώτσημα (τίναγμα).
- **Μην προσαρτήσετε αλυσίδα πριονιού, λεπίδα ξυλογλυπτικής, τμηματικό διαμαντοτροχό με περιφερειακό διάκενο πάνω από 10 mm ή οδοντωτή πριονωτή λεπίδα.** Αυτές οι λεπίδες δημιουργούν συχνά κλώτσημα (τίναγμα) και απώλεια ελέγχου.
- **Μην "μπλοκάρετε" τον τροχό και μην ασκείτε υπερβολική πίεση.** Μην επιχειρήσετε να πραγματοποιήσετε εργασίες κοπής σε πολύ μεγάλο βάθος. Η υπερβολική καταπόνηση του τροχού αυξάνει το φορτίο του κινητήρα και την ευαισθησία σε συστροφή ή μπλοκάρισμα του τροχού στο σημείο κοπής και την πιθανότητα κλωτσήματος (τινάγματος) ή θραύσης του τροχού.
- **Όταν ο τροχός μπλοκάρεται ή κατά τη διακοπή της κοπής για οποιονδήποτε λόγο, απενεργοποιήστε το ηλεκτρικό εργαλείο και κρατήστε το ακίνητο μέχρι ο τροχός να ακινητοποιηθεί εντελώς.** Μην επιχειρήσετε ποτέ να αφαιρέσετε τον τροχό από το σημείο κοπής ενώ ο τροχός βρίσκεται σε κίνηση, διαφορετικά

μπορεί να προκληθεί κλώτσημα (τίναγμα). Διερευνήστε και λάβετε διορθωτικά μέτρα για να εξαλείψετε την αιτία μπλοκαρίσματος του τροχού.

- **Μην επανεκκινήσετε την εργασία κοπής στο τεμάχιο εργασίας.** Αφήστε τον τροχό να φτάσει στη μέγιστη ταχύτητα και ξεκινήστε προσεκτικά ξανά την κοπή. Ο τροχός μπορεί να μπλοκάρει, να προχωρήσει προς τα εμπρός ή να κλωστήσει (πιναχτεί), αν το ηλεκτρικό εργαλείο επανεκκινηθεί στο τεμάχιο εργασίας.
- **Στερεώνετε τα πάνελ ή οποιοδήποτε υπερμέγεθες τεμάχιο εργασίας, ώστε να ελαχιστοποιείται ο κίνδυνος μαγκώματος και κλωστήματος (πινάγματος) του τροχού.** Τα μεγάλα τεμάχια εργασίας τείνουν να κρεμάνε από το βάρος τους. Τα στηρίγματα πρέπει να τοποθετούνται κάτω από το τεμάχιο εργασίας κοντά στη γραμμή κοπής και κοντά στο άκρο του τεμαχίου εργασίας και στις δύο πλευρές του τροχού.
- **Δείξτε ιδιαίτερη προσοχή όταν πραγματοποιείτε "κοπή σε σχήμα τσέπης" σε υφιστάμενους τοίχους ή άλλες τυφλές περιοχές.** Ο τροχός που προεξέχει μπορεί να κόψει σωλήνες αερίου ή νερού, ηλεκτρική καλωδίωση ή αντικείμενα που μπορεί να προκαλέσουν κλώτσημα (τίναγμα).

Γενικές οδηγίες ασφαλείας



ΠΡΟΕΙΔΟΠΟΙΗΣΗ: Προτού χρησιμοποιήσετε το προϊόν, διαβάστε τις παρακάτω προειδοποιητικές οδηγίες.

- Αυτό το προϊόν είναι ένα επικίνδυνο εργαλείο και μπορεί να προκαλέσει σοβαρό τραυματισμό, αν δεν χρησιμοποιηθεί προσεκτικά ή αν χρησιμοποιηθεί λανθασμένα. Είναι πολύ σημαντικό να διαβάσετε και να κατανοήσετε τα περιεχόμενα του παρόντος εγχειριδίου.
- Μην τροποποιείτε το προϊόν χωρίς την έγκριση του κατασκευαστή. Μην χρησιμοποιείτε προϊόντα που έχουν τροποποιηθεί από άλλα άτομα και χρησιμοποιείτε πάντα γνήσια αξεσουάρ. Οι τροποποιήσεις που δεν είναι εγκεκριμένες από τον κατασκευαστή μπορεί να προκαλέσουν σοβαρό τραυματισμό ή θάνατο του χειριστή ή άλλων ατόμων.
- Να διατηρείτε το προϊόν καθαρό. Οποιαδήποτε επιγραφή και αυτοκόλλητο πρέπει να είναι πλήρως αναγνώσιμη.
- Αυτό το προϊόν παράγει ηλεκτρομαγνητικό πεδίο κατά τη λειτουργία του. Το πεδίο αυτό, υπό ορισμένες συνθήκες, μπορεί να προκαλέσει παρεμβολές σε ενεργά ή παθητικά ιατρικά εμφυτεύματα. Για να μειωθεί ο κίνδυνος σοβαρού τραυματισμού ή θανάτου, συνιστούμε στα άτομα με ιατρικά εμφυτεύματα να συμβουλευούνται τον θεράποντα ιατρό τους και τον κατασκευαστή του ιατρικού εμφυτεύματος, προτού θέσουν το προϊόν σε λειτουργία.

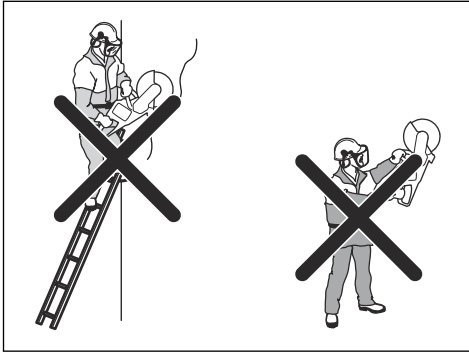
Οδηγίες ασφαλείας για τη λειτουργία



ΠΡΟΕΙΔΟΠΟΙΗΣΗ: Διαβάστε όλες τις προειδοποιητικές ασφαλείας και όλες τις οδηγίες. Η μη τήρηση των προειδοποιήσεων και των οδηγιών μπορεί να προκαλέσει ηλεκτροπληξία, πυρκαγιά ή/και σοβαρό τραυματισμό.

- Μην κόβετε υλικά από αμίαντο.
- Κατά τη στεγνή κοπή, βεβαιωθείτε ότι η σκόνη αφαιρείται καλά.
- Οι πληροφορίες στο παρόν εγχειρίδιο δεν υποκαθιστούν τις επαγγελματικές γνώσεις και την εμπειρία. Εάν δεν αισθάνεστε ασφαλείς με την κατάσταση στην οποία βρίσκεστε, διακόψτε τη λειτουργία του προϊόντος. Μην χειρίζεστε το προϊόν σε άγνωστες συνθήκες.
- Απευθυνθείτε στον τοπικό αντιπρόσωπο σέρβις ή στη Husqvarna εάν έχετε ερωτήσεις σχετικά με τη λειτουργία του προϊόντος. Είμαστε στη διάθεσή σας να σας παρέχουμε πληροφορίες σχετικά με την ασφαλή λειτουργία του προϊόντος σας για βέλτιστα αποτελέσματα.
- Μην χρησιμοποιείτε ελαττωματικά προϊόντα, μπαταρίες ή φορτιστές μπαταρίας.
- Μην αγγίζετε την περιστρεφόμενη λεπίδα κοπής. Αυτό μπορεί να προκαλέσει σοβαρούς τραυματισμούς ή θάνατο.
- Μην χρησιμοποιείτε το προϊόν όταν επικρατούν άσχημες καιρικές συνθήκες, όπως για παράδειγμα πυκνή ομίχλη, δυνατή βροχή, ισχυροί άνεμοι και έντονο ψύχος. Οι κακές καιρικές συνθήκες ενέχουν επιπλέον κινδύνους π.χ. πάγος στο έδαφος.
- Μην θέτετε σε λειτουργία ένα προϊόν εκτός αν όλα τα καλύμματα και τα προστατευτικά έχουν συναρμολογηθεί σωστά.
- Κοιτάξτε γύρω σας. Βεβαιωθείτε ότι δεν υπάρχει κίνδυνος άνθρωποι ή ζώα να έρθουν σε επαφή με το προϊόν ή να επηρεάσουν τον τρόπο που το ελέγχετε.
- Μην επιτρέπετε σε παιδιά να χρησιμοποιούν ή να πλησιάζουν το προϊόν. Το προϊόν τίθεται εύκολα σε λειτουργία. Αυτό μπορεί να οδηγήσει σε σοβαρό τραυματισμό.
- Αφαιρέστε την μπαταρία όταν το προϊόν δεν βρίσκεται στο οπτικό σας πεδίο. Αφαιρέστε την μπαταρία αν δεν πρόκειται να χρησιμοποιήσετε το προϊόν για μεγάλο χρονικό διάστημα.
- Θα πρέπει να πατάτε σταθερά για να έχετε πλήρη έλεγχο του προϊόντος. Μην χρησιμοποιείτε το προϊόν αν είστε πάνω σε σκάλα. Μην χρησιμοποιείτε το προϊόν εάν δεν είστε σε σταθερό έδαφος.

- Μην χρησιμοποιείτε το προϊόν πάνω από το ύψος του ώμου.



- Εάν δεν είστε προσεκτικοί, αυξάνεται ο κίνδυνος κλωστήματος.



- Μην κρατάτε το προϊόν με το ένα χέρι. Δεν μπορείτε να ελέγξετε αυτό το προϊόν με ασφάλεια με το ένα χέρι.
- Μην χρησιμοποιείτε το προϊόν σε συνθήκες όπου δεν μπορείτε να λάβετε βοήθεια σε περίπτωση ατυχήματος.
- Βεβαιωθείτε ότι μπορείτε να κινείστε με ασφάλεια. Εξετάστε τις συνθήκες και το έδαφος γύρω σας για πιθανά εμπόδια.
- Η υπερέκθεση σε κραδασμούς μπορεί να προκαλέσει βλάβη στο κυκλοφορικό ή νευρικό σύστημα σε άτομα με βεβαρημένο κυκλοφορικό. Εάν αισθανθείτε συμπτώματα υπερέκθεσης σε κραδασμούς, επικοινωνήστε με το γιατρό σας. Παραδείγματα τέτοιων συμπτωμάτων είναι το μούδιασμα, η απώλεια αίσθησης, οι σουβλιές, ο πόνος, η μυϊκή ατονία και η αλλαγή στο χρώμα ή την κατάσταση του δέρματος. Τα συμπτώματα αυτά συνήθως εμφανίζονται στα δάχτυλα, τις παλάμες ή τους καρπούς. Τα συμπτώματα αυτά μπορεί να γίνουν εντονότερα σε χαμηλές θερμοκρασίες.
- Δεν είναι δυνατό να συμπεριληφθούν όλες οι πιθανές περιπτώσεις που μπορεί να συναντήσετε κατά τη

χρήση αυτού του προϊόντος. Πρέπει πάντα να προσέχετε και να χρησιμοποιείτε την κοινή λογική.

- Περιεχόμενα** Αφού χρησιμοποιήσετε το εργαλείο, πρέπει να βγάζετε τα προστατευτικά ακοής αμέσως μετά την ολοκλήρωση της κοπής, ώστε να ακούτε ήχους και προειδοποιητικά σήματα.

Προσωπικός εξοπλισμός προστασίας



ΠΡΟΕΙΔΟΠΟΙΗΣΗ: Διαβάστε όλες τις προειδοποιήσεις ασφαλείας και όλες τις οδηγίες. Η μη τήρηση των προειδοποιήσεων και των οδηγιών μπορεί να προκαλέσει ηλεκτροπληξία, πυρκαγιά ή/και σοβαρό τραυματισμό.

- Πρέπει να χρησιμοποιείτε εγκεκριμένο προσωπικό εξοπλισμό προστασίας όταν εργάζεστε. Ο προσωπικός εξοπλισμός προστασίας δεν παρέχει πλήρη προστασία από τραυματισμούς, ωστόσο μειώνει τη σοβαρότητά τους σε περίπτωση ατυχήματος. Για συστάσεις σχετικά με τον εξοπλισμό που μπορείτε να χρησιμοποιήσετε, απευθυνθείτε στον αντιπρόσωπο σέρβις.
- Τα ρούχα σας πρέπει να είναι εφαρμοστά αλλά δεν πρέπει να περιορίζουν τις κινήσεις σας. Ελέγχετε τακτικά την κατάσταση του προσωπικού εξοπλισμού προστασίας σας.
- Να χρησιμοποιείτε εγκεκριμένο κράνος προστασίας.
- Χρησιμοποιείτε εγκεκριμένη αναπνευστική προστασία.
- Χρησιμοποιήστε εγκεκριμένα προστατευτικά ακοής. Η μακροχρόνια έκθεση στο θόρυβο μπορεί να προκαλέσει μόνιμη βλάβη της ακοής.
- Φοράτε προστατευτικά γυαλιά ή προστατευτικό γείσο προσώπου, για να μειώσετε τον κίνδυνο τραυματισμού από σωματίδια και σκόνη. Αυτό μπορεί να προκαλέσει σοβαρό τραυματισμό, ιδιαίτερα στα μάτια.
- Χρησιμοποιείτε προστατευτικά γάντια βαρέος τύπου.
- Χρησιμοποιείτε μπότες με ασάλινο κάλυμμα για τα δάχτυλα και αντιολισθητική σόλα.
- Πρέπει πάντα να έχετε μαζί σας ένα κιτ πρώτων βοηθειών.

Συσκευές ασφαλείας στο προϊόν



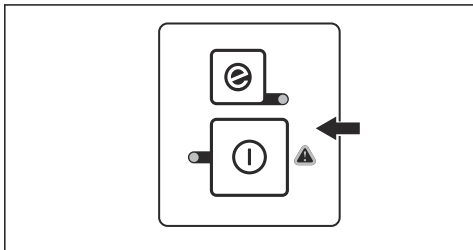
ΠΡΟΕΙΔΟΠΟΙΗΣΗ: Διαβάστε όλες τις προειδοποιήσεις ασφαλείας και όλες τις οδηγίες. Η μη τήρηση των προειδοποιήσεων και των οδηγιών μπορεί να προκαλέσει ηλεκτροπληξία, πυρκαγιά ή/και σοβαρό τραυματισμό.

- Μην χρησιμοποιείτε ποτέ ένα προϊόν με κατεστραμμένα εξαρτήματα ασφαλείας. Ο εξοπλισμός ασφαλείας πρέπει να επιθεωρείται και να συντηρείται τακτικά. Εάν μια συσκευή ασφαλείας δεν

περάσει την επιθεώρηση, απευθυνθείτε στον αντιπρόσωπο σέρβις για επισκευή.

Πληκτρολόγιο

Η προειδοποιητική ένδειξη αναβοσβήνει όταν υπάρχει κίνδυνος υπερφόρτωσης. Η προστασία από υπερφόρτιση διακόπτει προσωρινά τη λειτουργία του προϊόντος και δεν μπορείτε να χρησιμοποιήσετε το προϊόν μέχρι να αποκατασταθεί η θερμοκρασία. Εάν η λυχνία ανάβει σταθερά, απευθυνθείτε στον αντιπρόσωπο σέρβις.

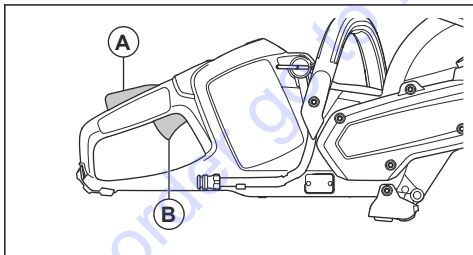


Λειτουργία αυτόματης διακοπής

Το προϊόν διαθέτει λειτουργία αυτόματης διακοπής που σταματά το προϊόν εάν δεν το χρησιμοποιήσετε για ένα λεπτό.

Ασφάλεια σκανδάλης γκαζιού

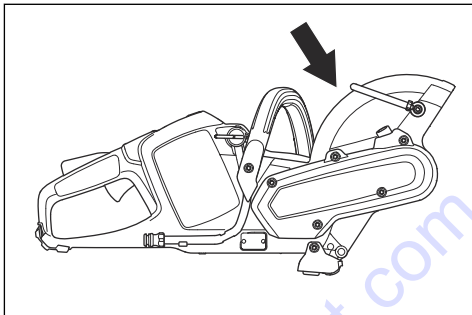
Η ασφάλεια της σκανδάλης γκαζιού αποτρέπει την ακούσια λειτουργία της σκανδάλης γκαζιού. Εάν τυλίξετε το χέρι σας γύρω από τη χειρολαβή και πατήσετε την ασφάλεια σκανδάλης γκαζιού (A), η σκανδάλη γκαζιού (B) απελευθερώνεται. Εάν απελευθερώσετε τη χειρολαβή, η σκανδάλη γκαζιού και η ασφάλεια της σκανδάλης γκαζιού επιστρέφουν στην αρχική τους θέση.



Προφυλακτήρας λεπίδας

Ο προφυλακτήρας λεπίδας προστατεύει τον χρήστη από τυχόν τραυματισμούς που μπορεί να προκληθούν από τα σωματίδια κοπής. Το προστατευτικό χρησιμοποιείται

για να μην χαλαρώνουν τα εξαρτήματα και τραυματίσουν το χρήστη.



Ασφάλεια μπαταρίας



ΠΡΟΕΙΔΟΠΟΙΗΣΗ: Διαβάστε όλες τις προειδοποιήσεις ασφαλείας και όλες τις οδηγίες. Η μη τήρηση των προειδοποιήσεων και των οδηγιών μπορεί να προκαλέσει ηλεκτροπληξία, πυρκαγιά ή/και σοβαρό τραυματισμό.

- Χρησιμοποιείτε μόνο τις μπαταρίες Husqvarna BLi που συνιστούμε για το προϊόν σας. Οι μπαταρίες φέρουν κωδικοποίηση λογισμικού.
- Χρησιμοποιήστε τις επαναφορτιζόμενες μπαταρίες Husqvarna BLi ως πηγή ρεύματος αποκλειστικά για τα συναφή προϊόντα Husqvarna. Για την αποφυγή τραυματισμών, μην χρησιμοποιείτε την μπαταρία ως πηγή ηλεκτρικής ισχύος για άλλες συσκευές.
- Κίνδυνος ηλεκτροπληξίας. Μη συνδέετε τους πόλους της μπαταρίας σε κλειδιά, νομίσματα, βίδες ή άλλα μεταλλικά αντικείμενα. Αυτό μπορεί να προκαλέσει βραχυκύκλωμα της μπαταρίας.
- Μην χρησιμοποιείτε μπαταρίες που δεν είναι επαναφορτιζόμενες.
- Μην τοποθετείτε αντικείμενα μέσα στις εγκοπές αερισμού της μπαταρίας.
- Διατηρείτε την μπαταρία μακριά από την ηλιακή ακτινοβολία, τη θερμότητα ή τις γυμνές φλόγες. Η μπαταρία μπορεί να εκραγεί και να προκαλέσει εγκαύματα ή/και χημικά εγκαύματα.
- Διατηρείτε την μπαταρία μακριά από συνθήκες βροχής και υγρασίας.
- Διατηρείτε την μπαταρία μακριά από πηγές μικροκυμάτων και υψηλής πίεσης.
- Μην προσπαθήσετε να αποσυρμαολογήσετε ή να διαλύσετε την μπαταρία.
- Μην αφήνετε το οξύ της μπαταρίας να έρθει σε επαφή με το δέρμα σας. Το οξύ της μπαταρίας προκαλεί τραυματισμούς στο δέρμα, διάβρωση και εγκαύματα. Σε περίπτωση επαφής του οξέος με τα μάτια, μην τα τρίβετε και ξεπλύνετε τα με νερό για τουλάχιστον 15 λεπτά. Εάν το οξύ της μπαταρίας έρθει σε επαφή με το δέρμα σας, πρέπει να καθαρίσετε το δέρμα με

μεγάλη ποσότητα νερού και σαπουνί. Αναζητήστε ιατρική βοήθεια.

- Χρησιμοποιήστε την μπαταρία σε θερμοκρασίες μεταξύ -10°C (14°F) και 40°C (104°F).
- Μην καθαρίζετε την μπαταρία ή το φορτιστή μπαταρίας με νερό. Ανατρέξτε στην ενότητα *Για να καθαρίσετε την μπαταρία και το φορτιστή μπαταρίας στη σελίδα 68*.
- Μην χρησιμοποιείτε ελαττωματικές ή κατεστραμμένες μπαταρίες.
- Φυλάσσετε τις μπαταρίες μακριά από μεταλλικά αντικείμενα, όπως καρφιά, νομίσματα και κοσμήματα.
- Φυλάσσετε τις μπαταρίες μακριά από παιδιά.

Ασφάλεια φορτιστή μπαταρίας



ΠΡΟΕΙΔΟΠΟΙΗΣΗ: Διαβάστε όλες τις προειδοποιήσεις ασφαλείας και όλες τις οδηγίες. Η μη τήρηση των προειδοποιήσεων και των οδηγιών μπορεί να προκαλέσει ηλεκτροπληξία, πυρκαγιά ή/και σοβαρό τραυματισμό.

- Υπάρχει κίνδυνος ηλεκτροπληξίας ή βραχυκυκλώματος εάν δεν τηρηθούν οι οδηγίες ασφαλείας.
- Μη χρησιμοποιείτε άλλους φορτιστές μπαταρίας εκτός από αυτόν που παρέχεται για το προϊόν σας. Χρησιμοποιείτε μόνο φορτιστές Husqvarna QC για τη φόρτιση ανταλλακτικών μπαταριών BLi της Husqvarna.
- Μην επιχειρείτε να αποσυναρμολογήσετε το φορτιστή μπαταρίας.
- Μη χρησιμοποιείτε φορτιστή μπαταρίας που παρουσιάζει ελάττωμα ή έχει υποστεί ζημιά.
- Μην ακουμπάτε το φορτιστή μπαταρίας από το καλώδιο ρεύματος. Για να αποσυνδέσετε το φορτιστή της μπαταρίας από την πρίζα, τραβήξτε το βύσμα. Μην τραβάτε το καλώδιο.
- Κρατήστε όλα τα καλώδια και τα καλώδια επέκτασης μακριά από νερό, λάδι και αιχμηρές γωνίες. Βεβαιωθείτε ότι το καλώδιο δεν έχει μαγκώσει σε πόρτες, φράχτες ή αντίστοιχα σημεία.
- Μη χρησιμοποιείτε το φορτιστή μπαταρίας κοντά σε εύφλεκτα υλικά ή υλικά που μπορούν να προκαλέσουν διάβρωση. Βεβαιωθείτε ότι ο φορτιστής της μπαταρίας δεν είναι καλυμμένος. Σε περίπτωση έκλυσης καπνού ή πυρκαγιάς, βγάλτε το φορτιστή μπαταρίας από την πρίζα.
- Να φορτίζετε την μπαταρία μόνο σε εσωτερικό χώρο σε μια θέση με καλή ροή αέρα και μακριά από ηλιακή

ακτινοβολία. Μην φορτίζετε τη μπαταρία σε εξωτερικούς χώρους. Μην φορτίζετε την μπαταρία σε συνθήκες υγρασίας.

- Ο φορτιστής της μπαταρίας πρέπει να χρησιμοποιείται μόνο σε σημεία όπου η θερμοκρασία είναι μεταξύ 5°C (41°F) και 40°C (104°F). Χρησιμοποιείτε το φορτιστή σε περιβάλλον καλά αεριζόμενο, ξηρό και χωρίς σκόνη.
- Μην τοποθετείτε αντικείμενα μέσα στις εγκοπές αέρα του φορτιστή της μπαταρίας.
- Μην συνδέετε ποτέ τους ακροδέκτες του φορτιστή της μπαταρίας σε μεταλλικά αντικείμενα γιατί μπορεί να προκύψει βραχυκύκλωμα του φορτιστή.
- Μην φορτίζετε μη επαναφορτιζόμενες μπαταρίες με το φορτιστή μπαταρίας και μην τις χρησιμοποιείτε με το μηχανήμα.
- Χρησιμοποιείτε εγκεκριμένες πρίζες που δεν έχουν υποστεί ζημιά.

Οδηγίες ασφαλείας για τη συντήρηση



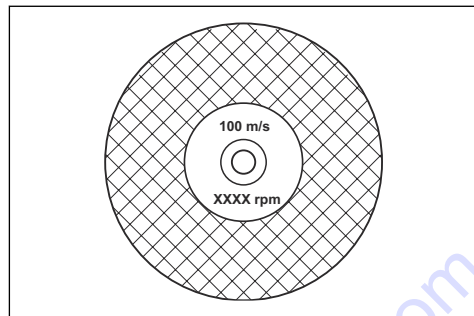
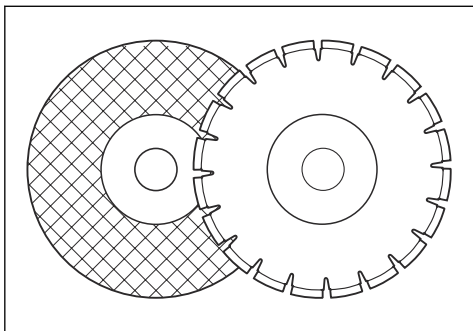
ΠΡΟΕΙΔΟΠΟΙΗΣΗ: Προτού εκτελέσετε εργασίες συντήρησης στο προϊόν, διαβάστε τις παρακάτω προειδοποιητικές οδηγίες.

- Πρέπει να αφαιρείτε την μπαταρία προτού εκτελέσετε εργασίες συντήρησης, άλλους ελέγχους ή συναρμολόγηση του προϊόντος.
- Ο χειριστής πρέπει να εκτελεί μόνο τις εργασίες συντήρησης και σέρβις που υποδεικνύονται στο παρόν εγχειρίδιο χρήσης. Για πιο εκτεταμένες εργασίες συντήρησης και σέρβις, απευθυνθείτε στον τοπικό αντιπρόσωπο σέρβις.
- Μην καθαρίζετε την μπαταρία ή το φορτιστή μπαταρίας με νερό. Τα δραστικά απορρυπαντικά μπορεί να προκαλέσουν ζημιά στο πλαστικό.
- Εάν δεν κάνετε συντήρηση στο προϊόν, μειώνεται ο κύκλος ζωής του και αυξάνεται ο κίνδυνος ατυχημάτων.
- Απαιτείται ειδική εκπαίδευση για όλες τις εργασίες συντήρησης και επισκευής, ειδικά για τις διατάξεις ασφαλείας στο προϊόν. Αν δεν ολοκληρωθούν με επιτυχία όλοι οι έλεγχοι που περιγράφονται στο παρόν εγχειρίδιο χρήσης αφού κάνετε τη συντήρηση, απευθυνθείτε στον τοπικό αντιπρόσωπο σέρβις. Εγγυόμαστε ότι υπάρχει δυνατότητα επαγγελματικής επισκευής και σέρβις για το προϊόν σας.
- Χρησιμοποιείτε πάντα γνήσια ανταλλακτικά.

Συναρμολόγηση

Κατάλληλες λεπίδες κοπής

Οι λεπίδες κοπής για το Husqvarna K 535i είναι διαθέσιμες σε δύο βασικά μοντέλα: λεπίδες λείανσης και διαμαντολεπίδες.



Λεπίδες κοπής για φορητά δισκοπρίονα υψηλής ταχύτητας.



ΠΡΟΕΙΔΟΠΟΙΗΣΗ: Χρησιμοποιείτε μόνο διαμαντολεπίδες και λεπίδες λείανσης για σκυρόδεμα. Μην χρησιμοποιείτε λεπίδες με οδοντώσεις όπως κυκλικές ξύλινες λεπίδες κοπής ή λεπίδες με άκρα καρβιδίου. Ο κίνδυνος κλωστήματος είναι αυξημένος και τα άκρα καρβιδίου μπορεί να βγουν από τη θέση τους και να εκτιναχθούν με υψηλή ταχύτητα. Αυτό μπορεί να προκαλέσει τραυματισμό ή θάνατο.



ΠΡΟΕΙΔΟΠΟΙΗΣΗ: Η λανθασμένη χρήση μπορεί να προκαλέσει υπερθέρμανση της λεπίδας. Μια πολύ ζεστή λεπίδα μπορεί να οδηγήσει σε δυσλειτουργία με κίνδυνο ζημιάς και τραυματισμού.



ΠΡΟΕΙΔΟΠΟΙΗΣΗ: Μην χρησιμοποιείτε λεπίδες κοπής με χαμηλότερη μέγιστη ταχύτητα από αυτήν του δισκοπρίονου. Χρησιμοποιείτε μόνο λεπίδες κοπής που συμμορφώνονται με τα εθνικά ή περιφερειακά πρότυπα.

Περιεχόμενα Κόβετε μόνο υλικά που είναι εγκεκριμένα στις οδηγίες που παρέχονται με τη λεπίδα.

Βεβαιωθείτε ότι η λεπίδα είναι εγκεκριμένη για την ίδια ή υψηλότερη ταχύτητα από αυτήν που αναγράφεται στην πινακίδα στοιχείων του δισκοπρίονου.

Κραδασμοί λεπίδας



ΠΡΟΣΟΧΗ: Αν χρησιμοποιείτε το προϊόν με πολύ μεγάλη δύναμη, η λεπίδα μπορεί να υπερθερμανθεί, να λυγίσει και να προκαλέσει κραδασμούς. Χρησιμοποιείτε το προϊόν με μικρότερη δύναμη. Αν οι κραδασμοί συνεχίζουν, αντικαταστήστε τη λεπίδα.

Λεπίδες λείανσης



ΠΡΟΕΙΔΟΠΟΙΗΣΗ: Μην χρησιμοποιείτε τις λεπίδες λείανσης με νερό. Η ισχύς μειώνεται όταν οι λεπίδες λείανσης εκτίθενται σε νερό ή υγρασία, κάτι που προκαλεί υψηλό κίνδυνο θραύσης της λεπίδας.



ΠΡΟΣΟΧΗ: Η κοπή με λεπίδα λείανσης δεν επιτρέπεται κατά τη χρήση του παρελκόμενου αναρρόφησης. Η χρήση λεπίδων λείανσης προκαλεί μη φυσιολογική φθορά του παρελκόμενου αναρρόφησης.

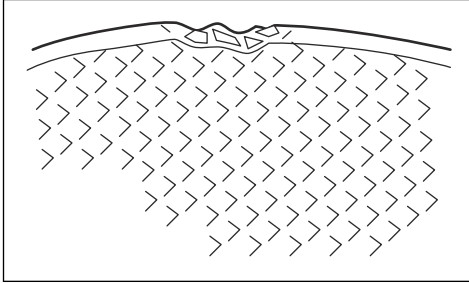


ΠΡΟΣΟΧΗ: Μην χρησιμοποιείτε λεπίδες λείανσης με πάχος που υπερβαίνει το μέγιστο συνιστώμενο πάχος, ανατρέξτε στο κεφάλαιο *Τεχνικά στοιχεία στη σελίδα 71*

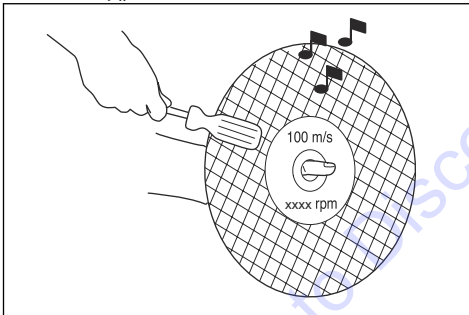
- Μην χρησιμοποιείτε ενισχυμένους τροχούς από μεγαλύτερα ηλεκτρικά εργαλεία, οι οποίοι έχουν υποστεί φθορά. Οι τροχοί που προορίζονται για μεγαλύτερο ηλεκτρικό εργαλείο δεν είναι κατάλληλοι για την υψηλή ταχύτητα ενός μικρού εργαλείου και μπορεί να εκτιναχθούν.
- Το υλικό κοπής στις λεπίδες λείανσης αποτελείται από συγκολλημένη χοντρόκοκκη άμμο με οργανικό υλικό συγκόλλησης. Οι ενισχυμένες λεπίδες αποτελούνται από υφασμάτινη βάση ή βάση από ίνες που αποτρέπουν την ολική θραύση στη μέγιστη

ταχύτητα λειτουργίας εάν η λεπίδα παρουσιάσει ρωγμές ή ζημιές.

- Η απόδοση της λεπίδας κοπής προσδιορίζεται από τον τύπο και το μέγεθος του πυρήνα λείανσης καθώς και από τον τύπο και τη σκληρότητα του υλικού συγκράτησης (συγκόλλησης).
- Βεβαιωθείτε ότι η λεπίδα δεν είναι ραγισμένη ή φθαρμένη.



- Ελέγξτε τη λεπίδα λείανσης κρεμώντας την από το δάχτυλό σας και χτυπώντας την ελαφρά με ένα κατσαβίδι ή κάτι παρόμοιο. Εάν η λεπίδα δεν δημιουργεί έναν βαρύ ήχο κουδουνίσματος, έχει υποστεί ζημιά.



- Βεβαιωθείτε ότι χρησιμοποιείτε τη σωστή λεπίδα λείανσης για το αντίστοιχο υλικό.

Αδαμαντοφόροι δίσκοι κοπής



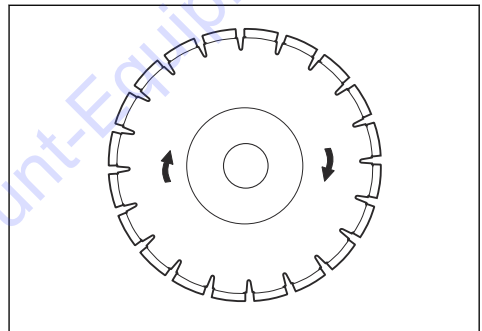
ΠΡΟΕΙΔΟΠΟΙΗΣΗ: Μην χρησιμοποιείτε ποτέ μια διαμαντολεπίδα για να κόψετε πλαστικό υλικό. Η θερμότητα που παράγεται κατά τη διάρκεια της κοπής μπορεί να λιώσει το πλαστικό και να κολλήσει στη λεπίδα κοπής προκαλώντας κλώτσημα (τίναγμα).



ΠΡΟΕΙΔΟΠΟΙΗΣΗ: Οι διαμαντολεπίδες αναπτύσσουν υψηλή θερμοκρασία κατά τη χρήση. Η υπερθέρμανση της λεπίδας προκαλείται από ακατάλληλη χρήση και μπορεί να οδηγήσει σε παραμόρφωση της λεπίδας, με αποτέλεσμα ζημιές και τραυματισμούς.

Περιεχόμενα Ακονίστε τη λεπίδα κόβοντας μαλακό υλικό, όπως ψαμμόλιθο ή τσιμεντόλιθο.

- Να χρησιμοποιείτε πάντα μια ακονισμένη διαμαντολεπίδα.
- Οι διαμαντολεπίδες ενδέχεται να στομώσουν όταν χρησιμοποιείται λάθος πίεση τροφοδότησης ή όταν κόβετε ορισμένα υλικά, όπως βαριά οπλισμένο σκυρόδεμα. Η εργασία με στομωμένη διαμαντολεπίδα προκαλεί υπερθέρμανση, η οποία μπορεί να οδηγήσει στη χαλάρωση των στοιχείων διαμαντιού.
- Οι διαμαντολεπίδες αποτελούνται από έναν χαλύβδινο πυρήνα με στοιχεία που περιέχουν βιομηχανικά κατασκευασμένα διαμάντια.
- Οι διαμαντολεπίδες είναι ιδανικές για τοιχοποιία, σκυρόδεμα και άλλα σύνθετα υλικά.
- Όταν χρησιμοποιείτε μια διαμαντολεπίδα, βεβαιωθείτε ότι περιστρέφεται προς την κατεύθυνση που υποδεικνύεται από το βέλος στη λεπίδα.



Υγρή κοπή



ΠΡΟΣΟΧΗ: Μην χρησιμοποιείτε εξοπλισμό Vac μαζί με το υγρό σύστημα.

- Οι διαμαντολεπίδες για υγρή κοπή πρέπει να χρησιμοποιούνται με το υγρό σύστημα.
- Το νερό ψύχει τη λεπίδα και αυξάνει την ωφέλιμη χρονική διάρκεια ζωής του, ενώ παράλληλα μειώνει τη σκόνη.
- Κατά την υγρή κοπή, φροντίστε για την κατάλληλη συλλογή των λυμάτων.

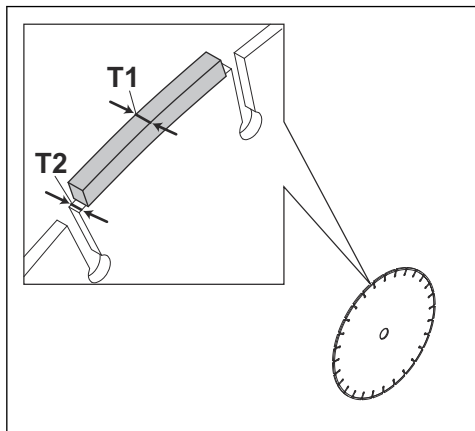
Στεγνή κοπή

- Κατά τη στεγνή κοπή, ανασκηκνείτε τη λεπίδα από το σημείο κοπής κάθε 30–60 δευτερόλεπτα και αφήστε την να περιστραφεί στον αέρα για 10 δευτερόλεπτα μέχρι να κρυώσει.
- Χρησιμοποιήστε εξοπλισμό Vac, αν είναι δυνατόν.

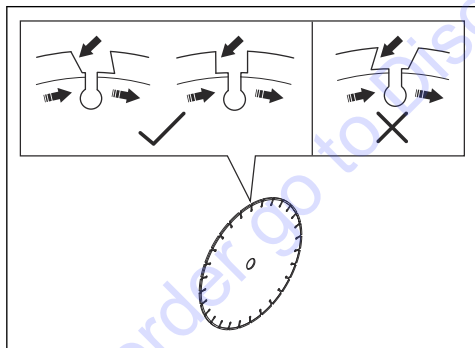
Διαμαντολεπίδα - απαιτήσεις



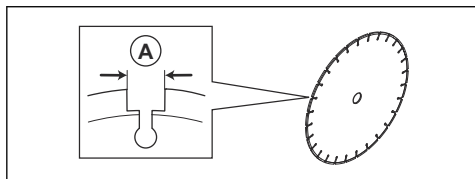
ΠΡΟΕΙΔΟΠΟΙΗΣΗ: Βεβαιωθείτε ότι το στοιχείο διαμαντιού (T1) είναι πιο πλατύ από τη λεπίδα (T2). Αυτό γίνεται για να αποφευχθεί τυχόν μάγκωμα στην υποδοχή κοπής και κλώτσημα (τίναγμα).



ΠΡΟΣΟΧΗ: Μην χρησιμοποιείτε διαμαντολεπίδες με θετικές γωνίες κλίσης.



ΠΡΟΣΟΧΗ: Μην χρησιμοποιείτε διαμαντολεπίδες με κενό μεταξύ των τμημάτων μεγαλύτερο από μέγ. 10 mm (A).



ΠΡΟΣΟΧΗ: Μην χρησιμοποιείτε διαμαντολεπίδες με μεγαλύτερο πάχος λεπίδας από τη συνιστώμενη μέγιστη τιμή, ανατρέξτε στο κεφάλαιο *Τεχνικά στοιχεία στη σελίδα 71*.



ΠΡΟΣΟΧΗ: Σε ορισμένες περιπτώσεις κοπής με φθαρμένες λεπίδες, μπορεί να προκληθεί αυξημένη φθορά στο πλάι των στοιχείων. Αντικαταστήστε τη λεπίδα προτού φθαρεί.

Έλεγχος του περιστρεφόμενου άξονα και των ροδελών

Ελέγξτε τις ροδέλες και τον περιστρεφόμενο άξονα μετά την αντικατάσταση της λεπίδας.



ΠΡΟΣΟΧΗ: Χρησιμοποιείτε μόνο ροδέλες της Husqvarna με ελάχιστη διάμετρο 60 mm/2,4".

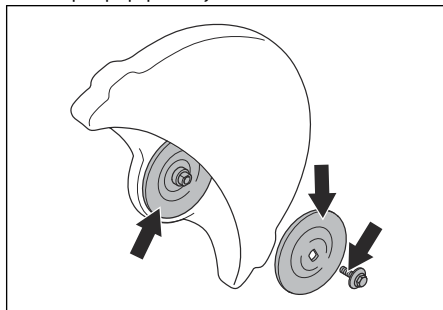


ΠΡΟΣΟΧΗ: Μην χρησιμοποιείτε κατεστραμμένες, ελαττωματικές ή βρόμικες ροδέλες.



ΠΡΟΣΟΧΗ: Μην χρησιμοποιείτε ροδέλες διαφορετικών διαστάσεων.

- Βεβαιωθείτε ότι τα σπειρώματα στον περιστρεφόμενο άξονα δεν έχουν υποστεί ζημιά.
- Βεβαιωθείτε ότι οι επιφάνειες στη λεπίδα και στις ροδέλες δεν έχουν υποστεί ζημιά, έχουν τις σωστές διαστάσεις, είναι καθαρές και λειτουργούν σωστά στον περιστρεφόμενο άξονα.

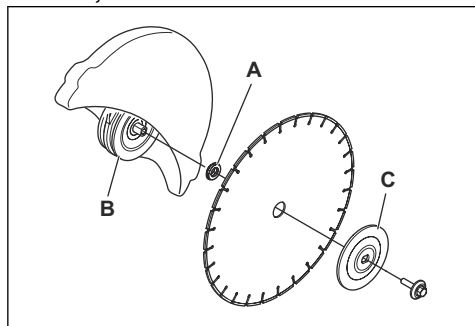


Έλεγχος του κουζινέτου σύνδεσης

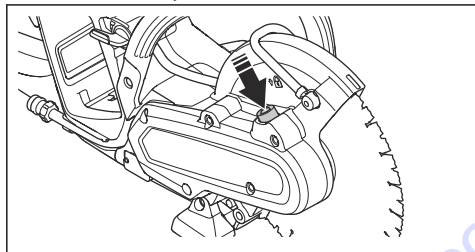
- Χρησιμοποιείτε μόνο κουζινέτα άξονα της Husqvarna.
- Βεβαιωθείτε ότι το κουζινέτο άξονα έχει τη σωστή διάσταση για τη λεπίδα κοπής. Η σωστή διάσταση είναι τυπωμένη στη λεπίδα κοπής.

Τοποθέτηση της λεπίδας κοπής

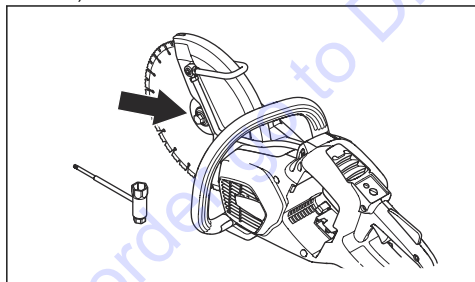
1. Η λεπίδα κοπής τοποθετείται στο κουζινέτο (A), ανάμεσα στην εσωτερική ροδέλα (B) και τη ροδέλα (C). Η ροδέλα είναι γυρισμένη ώστε να προσαρτηθεί στον άξονα.



2. Κλειδώστε τον άξονα.



3. Σφίξτε το μπουλόνι. Η ροπή σύσφιξης για τη βίδα συγκράτησης της λεπίδας κοπής είναι 30 Nm (18,5 ft-lbs).



Έλεγχος της λεπίδας και του προφυλακτήρα λεπίδας



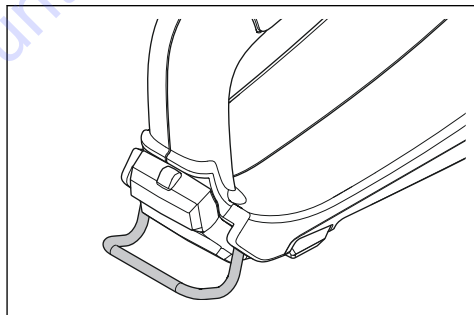
ΠΡΟΕΙΔΟΠΟΙΗΣΗ: Αν η λεπίδα κοπής έχει υποστεί ζημιά, μπορεί να προκαλέσει τραυματισμό.

1. Βεβαιωθείτε ότι η λεπίδα κοπής έχει προσαρτηθεί σωστά και ότι δεν εμφανίζει σημάδια ζημιάς.
2. Βεβαιωθείτε ότι ο προφυλακτήρας λεπίδας δεν έχει ρωγμές και δεν έχει υποστεί ζημιά.
3. Αντικαταστήστε τον προφυλακτήρα λεπίδας, αν έχει υποστεί ζημιά. Ανατρέξτε στην ενότητα *Τοποθέτηση της λεπίδας κοπής στη σελίδα 61*

Κρίκος πρόσδεσης σκοινιού

Το προϊόν διαθέτει κρίκο πρόσδεσης σχοινιού. Ο κρίκος πρόσδεσης σχοινιού μπορεί να χρησιμοποιηθεί για την ανύψωση και το χαμήλωμα του προϊόντος. Προσαρτήστε ένα κατάλληλο άγκιστρο στον κρίκο πρόσδεσης σχοινιού, για να το χρησιμοποιήσετε για ανύψωση και κατέβασμα.

Ο κρίκος πρόσδεσης σχοινιού μπορεί να χρησιμοποιηθεί για να προσαρτήσετε το προϊόν σε ένα σταθερό αντικείμενο, ώστε να μην πέσει και προκαλέσει τραυματισμό σε άτομα ή ζημιά σε εξοπλισμό.

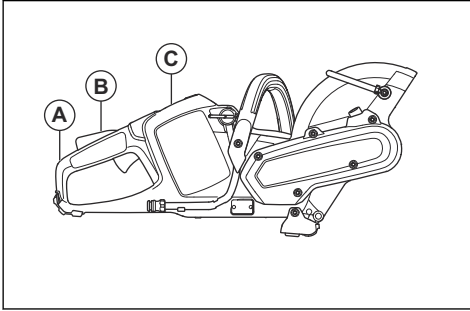


Λειτουργία

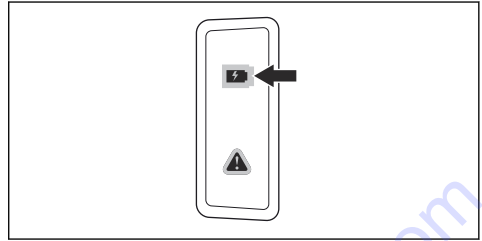
Έλεγχος λειτουργίας πριν από τη χρήση του προϊόντος

1. Ελέγξτε τον πίσω προφυλακτήρα δεξιού χεριού (A) για να βεβαιωθείτε ότι δεν έχει υποστεί ζημιά.
2. Ελέγξτε την ασφάλεια της σκανδάλης γκαζιού (B) για να βεβαιωθείτε ότι λειτουργεί σωστά και ότι δεν έχει υποστεί ζημιά.
3. Ελέγξτε το πληκτρολόγιο (C) για να βεβαιωθείτε ότι λειτουργεί σωστά.
4. Ελέγξτε τα εξαρτήματα και τα προστατευτικά για να βεβαιωθείτε ότι έχουν τοποθετηθεί σωστά, ότι δεν έχουν υποστεί ζημιά και ότι δεν λείπουν.
5. Φορτίστε την μπαταρία και βεβαιωθείτε ότι έχει συνδεθεί σωστά στο προϊόν.

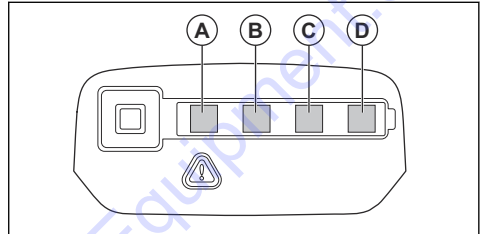
- Βεβαιωθείτε ότι το δισκοπρίονο σταματά όταν απελευθερώσετε τη σκανδάλη γκαζιού.



- Βεβαιωθείτε ότι ανάβει η πράσινη λυχνία φόρτισης στον φορτιστή. Αυτό σημαίνει ότι η μπαταρία είναι απευθείας συνδεδεμένη στο φορτιστή.



- Η μπαταρία είναι πλήρως φορτισμένη, όταν ανάψουν όλες οι λυχνίες LED πάνω της.



- Για να αποσυνδέσετε το φορτιστή της μπαταρίας από την πρίζα, τραβήξτε το φως. Μην τραβήξετε το καλώδιο.
- Αφαιρέστε την μπαταρία από το φορτιστή.

Σύνδεση του φορτιστή μπαταρίας

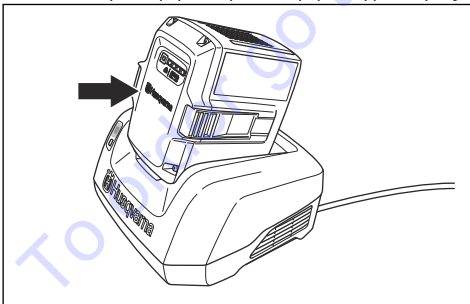
- Συνδέστε το φορτιστή μπαταρίας σύμφωνα με την τάση και τη συχνότητα που προδιαγράφονται στην πινακίδα στοιχείων.
- Συνδέστε το φως σε γειωμένη πρίζα. Η ενδεικτική λυχνία LED στον φορτιστή της μπαταρίας θα αναβοσβήσει με πράσινο χρώμα μία φορά.

Περιεχόμενα Η μπαταρία δεν φορτίζεται αν η θερμοκρασία της είναι πάνω από 50 °C/122 °F. Αν η θερμοκρασία είναι πάνω από 50 °C/122 °F, ο φορτιστής αφήνει την μπαταρία να κρυώσει προτού φορτίσει.

Σύνδεση της μπαταρίας στο φορτιστή

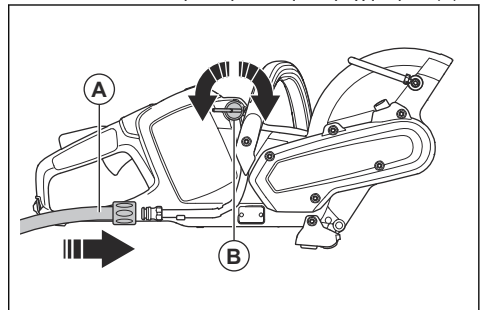
Περιεχόμενα Φορτίστε την μπαταρία, εάν είναι η πρώτη φορά που τη χρησιμοποιείτε. Μια καινούργια μπαταρία είναι φορτισμένη μόνο κατά 30%.

- Βεβαιωθείτε ότι η μπαταρία είναι στεγνή.
- Τοποθετήστε την μπαταρία στο φορτιστή μπαταρίας.



Σύνδεση νερού ψύξης

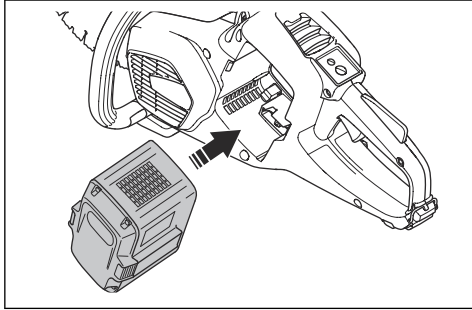
- Συνδέστε το σωλήνα νερού στην παροχή νερού (A).



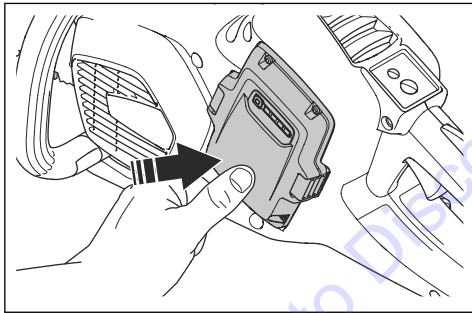
- Ανοίξτε ή κλείστε τη βρύση (B) για να αρχίσει ή να σταματήσει να ρέει το νερό.
- Εξετάστε εάν υπάρχει διαρροή στη σύνδεση νερού ή τον εύκαμπτο σωλήνα.
- Βεβαιωθείτε ότι πίεση νερού δεν υπερβαίνει τη μέγιστη επιτρεπόμενη πίεση νερού, ανατρέξτε στα *Τεχνικά στοιχεία*.

Εκκίνηση προϊόντος

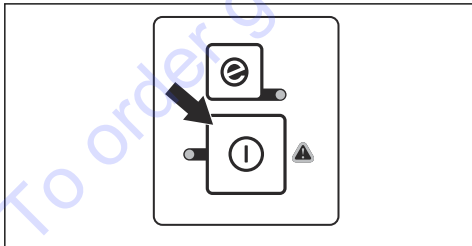
1. Ελέγξτε τη σκανδάλη γκαζιού και την ασφάλεια της σκανδάλης γκαζιού. Ανατρέξτε στην ενότητα *Ελεγχος της ασφάλειας της σκανδάλης γκαζιού στη σελίδα 67*.
2. Τοποθετήστε την μπαταρία στη θήκη μπαταρίας.



3. Πιέστε το κάτω τμήμα της μπαταρίας, μέχρι να ακούσετε ένα κλικ. Εάν η μπαταρία δεν μετακινείται εύκολα μέσα στη θήκη, δεν είναι σωστά συνδεδεμένη στη θήκη της μπαταρίας.



4. Πατήστε παρατεταμένα το κουμπί εκκίνησης/ διακοπής λειτουργίας μέχρι να ανάψει η πράσινη λυχνία LED.

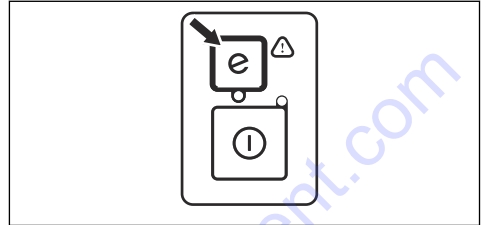


Χρήση της λειτουργίας εξοικονόμησης SavE

Αυτό το προϊόν διαθέτει μια λειτουργία εξοικονόμησης ενέργειας που ονομάζεται SavE. Η λειτουργία SavE μειώνει την ταχύτητα της λεπίδας και διασφαλίζει το μέγιστο χρόνο λειτουργίας της μπαταρίας.

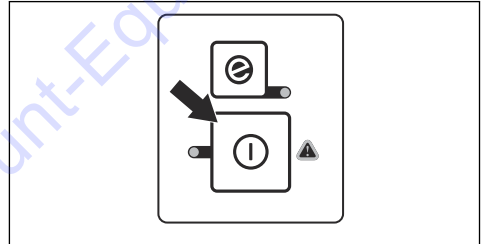
Περιεχόμενα Η λειτουργία SavE δεν μειώνει την ισχύ κοπής του προϊόντος.

1. Πατήστε το κουμπί SavE στο πληκτρολόγιο.
2. Βεβαιωθείτε ότι η πράσινη λυχνία LED ανάβει.
3. Πατήστε ξανά το κουμπί SavE για να διακόψετε τη λειτουργία. Η πράσινη λυχνία LED σβήνει.

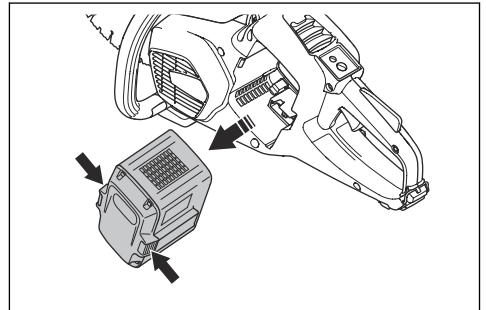


Διακοπή λειτουργίας του προϊόντος

1. Πατήστε παρατεταμένα το κουμπί εκκίνησης/ διακοπής λειτουργίας στο πληκτρολόγιο, μέχρι να σβήσει η πράσινη λυχνία LED.



2. Πατήστε τα κουμπιά απελευθέρωσης μπαταρίας και αφαιρέστε την μπαταρία από τη θήκη μπαταρίας.



ΠΡΟΕΙΔΟΠΟΙΗΣΗ: Αφαιρέστε την μπαταρία όταν δεν χρησιμοποιείτε ή όταν δεν έχετε πλήρη ορατότητα του προϊόντος. Έτσι, αποφεύγεται τυχόν ακούσια εκκίνηση.

Βασικές τεχνικές εργασίας



ΠΡΟΕΙΔΟΠΟΙΗΣΗ: Μην μετακινείτε το δισκοπρίονο στο πλάι. Αυτό μπορεί να εμποδίσει την ελεύθερη κίνηση της λεπίδας και να οδηγήσει σε θραύση της λεπίδας, κάτι που μπορεί να προκαλέσει τραυματισμό.

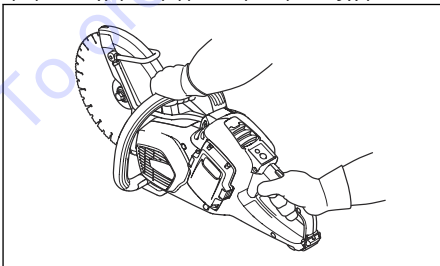


ΠΡΟΕΙΔΟΠΟΙΗΣΗ: Μην χρησιμοποιείτε το πλαινό μέρος της λεπίδας. Η λεπίδα μπορεί να υποστεί ζημιά και να σπάσει, κάτι που μπορεί να προκαλέσει τραυματισμό. Χρησιμοποιείτε μόνο την κοπτική ακμή.



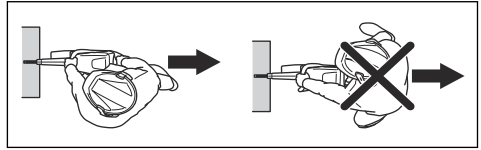
ΠΡΟΕΙΔΟΠΟΙΗΣΗ: Μην χρησιμοποιείτε διαμαντολεπίδα για να κόψετε πλαστικό υλικό. Η θερμότητα που δημιουργείται μπορεί να λιώσει το πλαστικό. Το λιωμένο πλαστικό μπορεί να κολλήσει στη λεπίδα κοπής και να προκαλέσει κλώσημα (τίναγμα).

- Το προϊόν είναι κατασκευασμένο για διαμαντολεπίδες υψηλής ταχύτητας εγκεκριμένες για φορητά δισκοπρίονα.
- Το προϊόν είναι κατασκευασμένο για την κοπή πλακιδίων, ελαφρού σκυροδέματος και πέτρας. Χρησιμοποιήστε το μόνο για αυτό το είδος λειτουργίας.
- Βεβαιωθείτε ότι η λεπίδα κοπής δεν παρουσιάζει σημάδια φθοράς και ότι έχει τοποθετηθεί σωστά, βλ. *Λεπίδες λείανσης στη σελίδα 58* και *Τοποθέτηση της λεπίδας κοπής στη σελίδα 61*.
- Βεβαιωθείτε ότι χρησιμοποιείτε τη σωστή λεπίδα κοπής για το εκάστοτε είδος λειτουργίας, βλ. *Λεπίδες κοπής για φορητά δισκοπρίονα υψηλής ταχύτητας, στη σελίδα 58*.
- Μην κόβετε υλικά από αμιάνο.
- Κρατάτε πάντα το δισκοπρίονο και με τα 2 χέρια. Κρατάτε πάντα το προϊόν σφιχτά με τους αντίχειρες και τα δάχτυλα γύρω από τις λαβές. Κρατάτε πάντα την οπίσθια χειρολαβή με το δεξί σας χέρι και την εμπρόσθια χειρολαβή με το αριστερό σας χέρι.

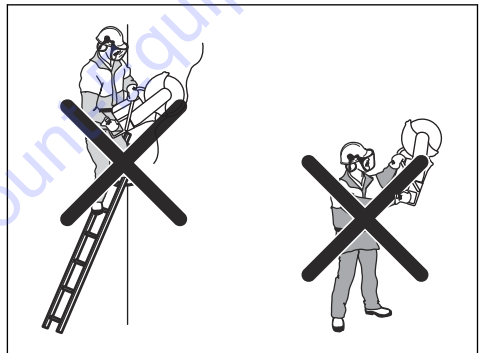


- Πρέπει να στέκεστε πάντα παράλληλα με τη λεπίδα κοπής. Μην στέκεστε στην ίδια ευθεία και πίσω από

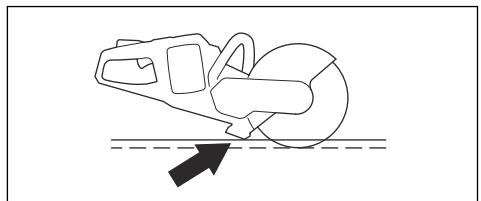
τη λεπίδα κοπής. Σε περίπτωση κλώσηματος (τίναγματος), το δισκοπρίονο θα μετακινηθεί στο επίπεδο της λεπίδας κοπής.



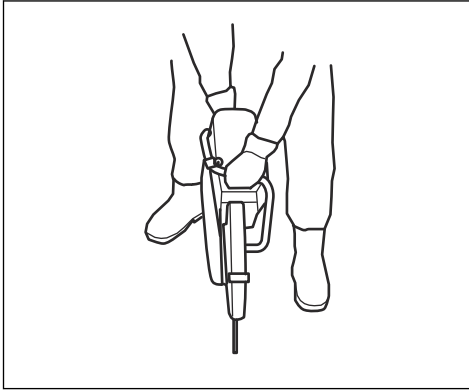
- Διατηρείτε απόσταση ασφαλείας από τη λεπίδα κοπής όταν ο κινητήρας βρίσκεται σε λειτουργία.
- Βεβαιωθείτε ότι πατάτε σταθερά κατά τη διάρκεια της λειτουργίας.
- Διατηρείτε κατάλληλη απόσταση από το αντικείμενο που κόβετε.
- Μην το χρησιμοποιείτε πάνω από το ύψος του ώμου. Χρησιμοποιήστε μια πλατφόρμα ή μια σκαλωσιά, αν η λειτουργία κοπής πραγματοποιείται πάνω από το ύψος του ώμου. Μην υπερεκτιμάτε τις δυνατότητές σας.
- Μην το χρησιμοποιείτε πάνω σε σκάλα.



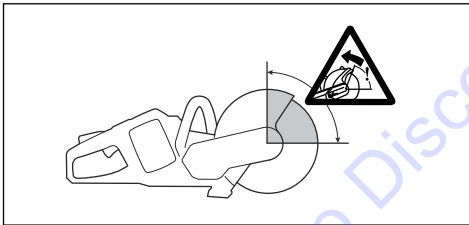
- Βεβαιωθείτε ότι η λεπίδα κοπής δεν εμποδίζεται από κάποιο αντικείμενο κατά την εκκίνηση του κινητήρα.
- Παρακολουθείτε πάντα το προϊόν όταν ο κινητήρας λειτουργεί.
- Μην μετακινείτε το προϊόν όταν η λεπίδα κοπής περιστρέφεται. Το προϊόν διαθέτει έναν ηλεκτρικό επιβραδυντή για τη μείωση του χρόνου διακοπής της λεπίδας.
- Βεβαιωθείτε ότι το εμπρός στήριγμα εδάφους είναι ευθυγραμμισμένο με το τεμάχιο εργασίας στο πίσω μέρος. Ο προφυλακτήρας λεπίδας συλλέγει σταγονίδια και σκόνη και τα απομακρύνει από το χειριστή.



- Εκτελείτε εργασίες κοπής με τέρμα γκάτζι. Διατηρείτε μέγιστη ταχύτητα περιστροφής μέχρι να ολοκληρωθεί η εργασία κοπής.
- Σπρώξτε ελαφρώς τη λεπίδα κοπής προς το αντικείμενο που κόβετε. Μην ασκείτε δύναμη.
- Ευθυγραμμίστε τη λεπίδα κοπής με το σημείο κοπής.



- Μετακινήστε τη λεπίδα κοπής αργά προς τα εμπρός και προς τα πίσω, για να μειώσετε την περιοχή ανάμεσα στη λεπίδα κοπής και το υλικό. Αυτό μειώνει τη θερμοκρασία της λεπίδας κοπής.



- Μην κόβετε με την περιοχή κλωστήματος της λεπίδας, βλ. *Κλώστημα (τίναγμα) στη σελίδα 65.*

Κλώστημα (τίναγμα)



ΠΡΟΕΙΔΟΠΟΙΗΣΗ: Τα κλωστήματα (τίναγματα) είναι αφηνίδια και μπορούν να είναι πολύ επικίνδυνα. Το προϊόν μπορεί να μετακινηθεί προς τα πάνω και πίσω προς την κατεύθυνση του χειριστή με περιστροφική κίνηση. Λόγω του κλωστήματος (τίναγματος) μπορεί να προκληθεί τραυματισμός ή θάνατος. Βεβαιωθείτε ότι έχετε κατανοήσει τις επιπτώσεις του κλωστήματος (τίναγματος) και πώς να το αποφύγετε προτού χρησιμοποιήσετε το προϊόν.

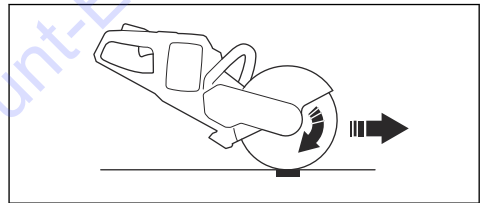
Παρουσιάζεται κλώστημα (τίναγμα) όταν η λεπίδα μαγκώσει στην περιοχή κλωστήματος. Συνήθως δεν είναι

επικίνδυνο, αλλά το ισχυρό κλώστημα (τίναγμα) μπορεί να προκαλέσει τραυματισμό ή θάνατο.



Δύναμη αντίδρασης

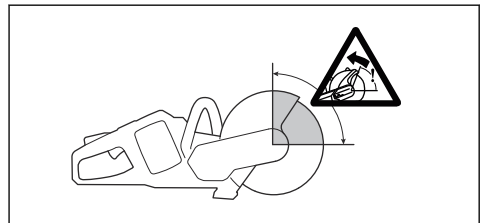
- Η δύναμη αντίδρασης τραβά το προϊόν προς την αντίθετη κατεύθυνση από την κίνηση της λεπίδας. Τις περισσότερες φορές, αυτή η δύναμη δεν είναι ισχυρή. Αν η λεπίδα μαγκώσει, η ισχύς της δύναμης αντίδρασης μπορεί να προκαλέσει κλώστημα (τίναγμα).



- Μην γέρνετε το προϊόν όταν περιστρέφεται ο εξοπλισμός κοπής. Οι φυγόκεντρες δυνάμεις μπορεί να περιορίσουν την κίνηση.

Περιοχή κλωστήματος

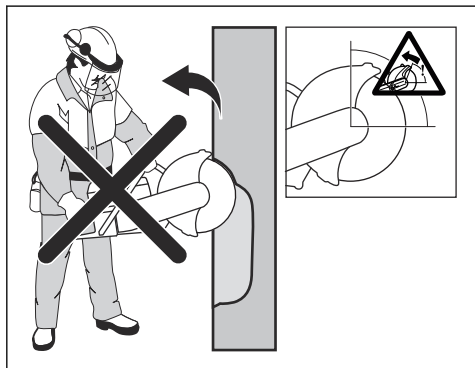
- Μην κόβετε με την περιοχή κλωστήματος της λεπίδας κοπής. Αν η λεπίδα μαγκώσει στην περιοχή κλωστήματος, η δύναμη αντίδρασης περιστρέφει το προϊόν προς τα πάνω και πίσω. Μπορεί να χτυπήσει το χειριστή και μπορεί να προκαλέσει τραυματισμό ή θάνατο.



Ανοδικό κλώστημα (τίναγμα)

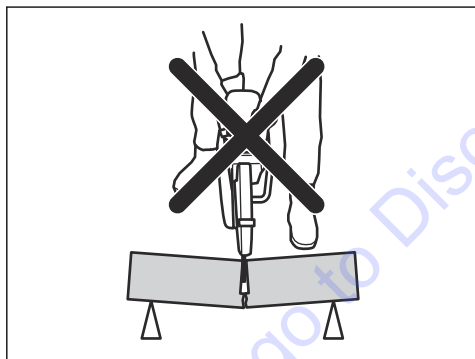
- Μην χρησιμοποιείτε την περιοχή κλωστήματος. Όταν η περιοχή κλωστήματος χρησιμοποιηθεί για κοπή, η

δύναμη αντίδρασης μετακινεί τη λεπίδα προς τα πάνω και μέσα στο σημείο κοπής. Χρησιμοποιήστε το κάτω μέρος της λεπίδας, για να αποτρέψετε το ανοδικό κλώτσημα (τίναγμα).



Κλώτσημα μαγκώματος

- Η λεπίδα μαγκώνει όταν η κοπή κλείνει και σταματά την περιστροφή της λεπίδας. Αν η λεπίδα μαγκώσει, η ισχύς της δύναμης αντίδρασης μπορεί να προκαλέσει κλώτσημα (τίναγμα).



- Βεβαιωθείτε ότι το τεμάχιο εργασίας συγκρατείται, για να διατηρήσετε την κοπή ανοικτή κατά την εργασία κοπής. Κάντε μια εκτίμηση της πιθανής κίνησης του τεμαχίου εργασίας κατά την τελευταία φάση της εργασίας κοπής. Βεβαιωθείτε ότι η κοπή ανοίγει κατά την εργασία κοπής. Αν η κοπή κλείσει, μπορεί να προκαλέσει μάγκωμα και κλώτσημα (τίναγμα).

Κοπή σωλήνων

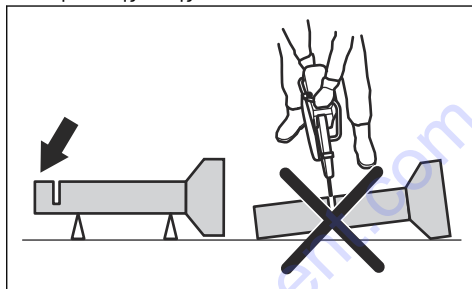


ΠΡΟΕΙΔΟΠΟΙΗΣΗ: Αν η λεπίδα μαγκώσει στην περιοχή κλωστήματος, θα προκληθεί κλώτσημα (τίναγμα).

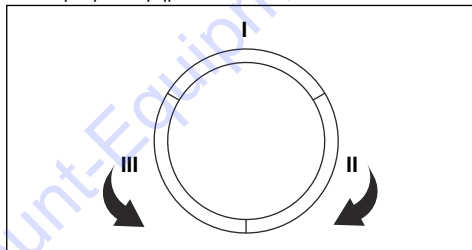
Να είστε προσεκτικοί κατά την κοπή σωλήνων. Ο σωλήνας πρέπει να συγκρατείται σωστά στη θέση του και η κοπή πρέπει να διατηρείται ανοικτή καθ' όλη τη διάρκεια της κοπής. Διαφορετικά, η λεπίδα μπορεί να

μαγκώσει. Να είστε ιδιαίτερα προσεκτικοί κατά την κοπή ενός σωλήνα με διευρυμένο άκρο ή ενός σωλήνα σε χαντάκι. Αν η λεπίδα δεν έχει σωστή στήριξη, μπορεί να μαγκώσει.

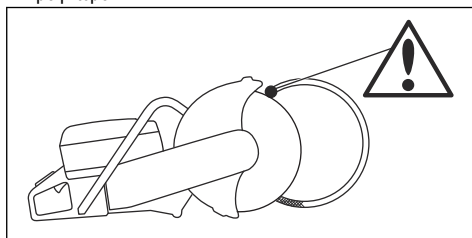
1. Βεβαιωθείτε ότι ο σωλήνας δεν κινείται κατά τη διάρκεια της κοπής.



2. Κόψτε με το τμήμα "I".



3. Βεβαιωθείτε ότι η κοπή ανοίγει για να αποφευχθεί το μάγκωμα.



4. Προχωρήστε στην πλευρά II και κόψτε από το τμήμα I μέχρι το κάτω μέρος του σωλήνα.
5. Προχωρήστε στην πλευρά III και κόψτε το υπόλοιπο κομμάτι του σωλήνα.
6. Βεβαιωθείτε ότι ο σωλήνας διατηρείται σωστά στη θέση του. Το άκρο του σωλήνα πρέπει να κινείται προς τα κάτω κατά τη διάρκεια της κοπής.

Αποτροπή μαγκώματος



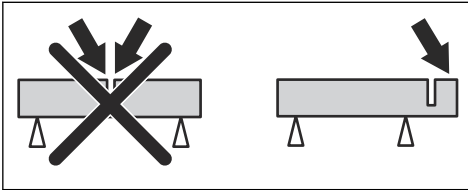
ΠΡΟΕΙΔΟΠΟΙΗΣΗ: Μην αφήνετε την κοπή να κλείσει κατά την εργασία κοπής. Αν η κοπή κλείσει, μπορεί να προκαλέσει μάγκωμα, κάτι που μπορεί να προκαλέσει

κλώτσημα (τίναγμα) ή ζημιά στη λεπίδα κοπής.



ΠΡΟΕΙΔΟΠΟΙΗΣΗ: Να είστε προσεκτικοί όταν η λεπίδα κοπής τοποθετείται σε προϋπάρχουσα κοπή.

- Βεβαιωθείτε ότι το τεμάχιο εργασίας δεν μπορεί να μετακινηθεί κατά την εργασία κοπής.
- Βεβαιωθείτε ότι το τεμάχιο εργασίας συγκρατείται, για να διατηρήσετε την κοπή ανοικτή κατά την εργασία κοπής.
- Κάντε μια εκτίμηση της πιθανής κίνησης του τεμαχίου εργασίας κατά την τελευταία φάση της εργασίας κοπής.
- Βεβαιωθείτε ότι η κοπή ανοίγει κατά την εργασία κοπής.



Διαχείριση σκόνης

- Το προϊόν διαθέτει ένα κιτ ψεκασμού νερού χαμηλής πίεσης. Χρησιμοποιήστε υγρή κοπή όταν είναι δυνατόν. Ανατρέξτε στις οδηγίες στην ενότητα *Σύνδεση νερού ψύξης στη σελίδα 62*. Η σωστή ροή είναι διαφορετική για διαφορετικούς τύπους εργασιών. Αν ο σωλήνας νερού βγει στην πηγή παροχής, η πίεση του παρεχόμενου νερού μπορεί να είναι πολύ υψηλή. Ανατρέξτε στην ενότητα *Τεχνικά στοιχεία στη σελίδα 71* για τη συνιστώμενη πίεση νερού.
- Ρυθμίστε τη ροή του νερού με τη βαλβίδα.

Συντήρηση

Εισαγωγή



ΠΡΟΕΙΔΟΠΟΙΗΣΗ: Προτού εκτελέσετε εργασίες συντήρησης στο προϊόν, διαβάστε και κατανοήστε το κεφάλαιο για την ασφάλεια.



ΠΡΟΕΙΔΟΠΟΙΗΣΗ: Προτού εκτελέσετε εργασίες συντήρησης στο προϊόν, αφαιρέστε την μπαταρία.

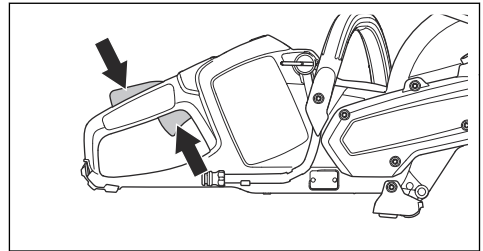


ΠΡΟΕΙΔΟΠΟΙΗΣΗ: Εάν η συντήρηση δεν πραγματοποιείται σωστά, η διάρκεια ζωής του προϊόντος μπορεί να μειωθεί και ο κίνδυνος ατυχημάτων μπορεί να αυξηθεί. Επίσης, όλες οι εργασίες συντήρησης ή/και επισκευής πρέπει να πραγματοποιούνται από επαγγελματίες. Απευθυνθείτε στον αντιπρόσωπο σέρβις για περισσότερες πληροφορίες.

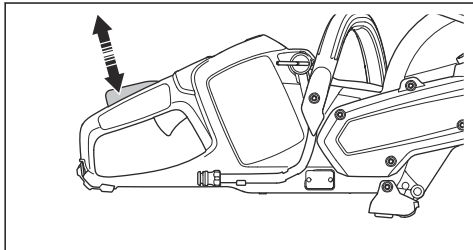
Συντήρηση και έλεγχοι των συσκευών ασφαλείας του προϊόντος

Έλεγχος της ασφάλειας της σκανδάλης γκαζιού

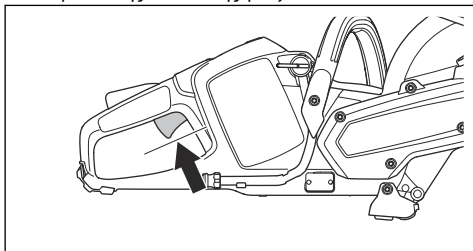
1. Βεβαιωθείτε ότι η σκανδάλη γκαζιού και η ασφάλεια της σκανδάλης γκαζιού κινούνται ελεύθερα και ότι το ελατήριο επαναφοράς λειτουργεί σωστά.



2. Πιέστε προς τα κάτω την ασφάλεια της σκανδάλης και βεβαιωθείτε ότι επιστρέφει στην αρχική της θέση όταν την αφήνετε.



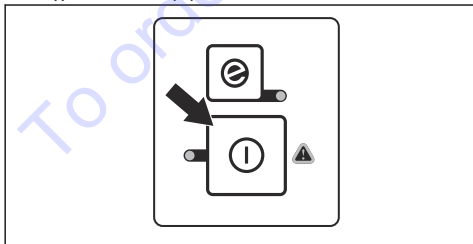
3. Βεβαιωθείτε ότι η σκανδάλη γκαζιού είναι κλειδωμένη στη θέση του ρελαντί, όταν απελευθερώνεται η ασφάλεια της σκανδάλης γκαζιού.



4. Εκκινήστε το προϊόν και εφαρμόστε πλήρη ισχύ.
5. Απελευθερώστε τη σκανδάλη γκαζιού και βεβαιωθείτε ότι η λεπίδα κοπής σταματά. Αν η λεπίδα κοπής περιστρέφεται όταν η σκανδάλη γκαζιού βρίσκεται στη θέση του ρελαντί, επικοινωνήστε με τον αντιπρόσωπο σέρβις.

Για να ελέγξετε το ηλεκτρολόγιο

1. Εκκινήστε το προϊόν. Ανατρέξτε στην ενότητα *Έλεγχος της ασφάλειας της σκανδάλης γκαζιού στη σελίδα 67*
2. Πατήστε ξανά το κουμπί εκκίνησης/διακοπής λειτουργίας.
3. Βεβαιωθείτε ότι το προϊόν σταματά να λειτουργεί όταν πατήσετε παρατεταμένα το κουμπί. Η πράσινη λυχνία LED θα σβήσει.



Για να καθαρίσετε την μπαταρία και το φορτιστή μπαταρίας

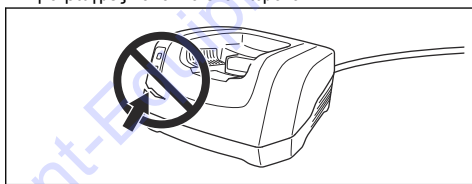


ΠΡΟΣΟΧΗ: Μην καθαρίζετε την μπαταρία ή το φορτιστή μπαταρίας με νερό.

- Βεβαιωθείτε ότι η μπαταρία και ο φορτιστής είναι καθαροί και στεγνοί προτού τοποθετήσετε την μπαταρία στον φορτιστή.
- Καθαρίστε τους πόλους της μπαταρίας με πεπιεσμένο αέρα ή χρησιμοποιήστε μαλακό και στεγνό πανί.
- Καθαρίστε τις επιφάνειες της μπαταρίας και του φορτιστή της μπαταρίας με μαλακό και στεγνό πανί.

Έλεγχος του φορτιστή της μπαταρίας

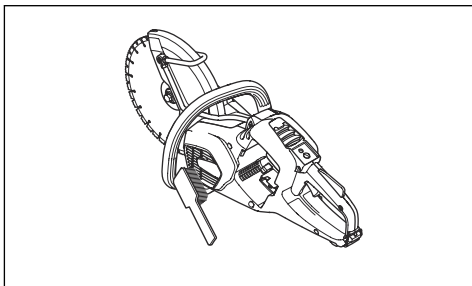
1. Βεβαιωθείτε ότι ο φορτιστής της μπαταρίας και το καλώδιο ρεύματος δεν έχουν υποστεί ζημιά. Κοιτάξτε για ρωγμές και άλλα ελαττώματα.



Καθαρισμός του συστήματος ψύξης

Το προϊόν διαθέτει ένα σύστημα ψύξης που διατηρεί τη θερμοκρασία του προϊόντος όσο το δυνατόν πιο χαμηλή.

Το σύστημα ψύξης περιλαμβάνει μια εισαγωγή αέρα στην αριστερή πλευρά του προϊόντος και έναν ανεμιστήρα στο μοτέρ.



1. Καθαρίζετε το σύστημα ψύξης με βούρτσα κάθε εβδομάδα ή πιο συχνά, εάν απαιτείται.
2. Βεβαιωθείτε ότι το σύστημα ψύξης δεν είναι βρώμικο ή φραγμένο.



ΠΡΟΣΟΧΗ: Εάν το σύστημα ψύξης είναι βρώμικο ή φραγμένο μπορεί να προκληθεί υπερθέρμανση του προϊόντος.

Πρόγραμμα συντήρησης

Ακολουθεί μια λίστα με τα βήματα συντήρησης που πρέπει να εκτελείτε στο προϊόν.



ΠΡΟΕΙΔΟΠΟΙΗΣΗ: Προτού εκτελέσετε εργασίες συντήρησης, πρέπει να αφαιρείτε την μπαταρία.

Συντήρηση	Πριν από τη χρήση	Κάθε εβδομάδα	Κάθε μήνα
Καθαρίστε τα εξωτερικά μέρη του προϊόντος.	X		
Βεβαιωθείτε ότι η σκανδάλη γκαζιού και η λειτουργία κλειδώματος της σκανδάλης γκαζιού λειτουργούν σωστά από πλευράς ασφάλειας.	X		
Ελέγξτε τη λεπίδα κοπής. Ελέγξτε για ρωγμές και βεβαιωθείτε ότι η λεπίδα κοπής δεν είναι ασυνήθιστα φθαρμένη. Αντικαταστήστε, αν χρειάζεται.	X		
Καθαρίστε το περιβλήμα φτερωτής στο προϊόν.	X		
Βεβαιωθείτε ότι οι βίδες και τα παξιμάδια είναι σφιγμένα.	X		
Βεβαιωθείτε ότι το πηλητρολόγιο λειτουργεί σωστά και δεν έχει υποστεί ζημιά.	X		
Ελέγξτε τις συνδέσεις μεταξύ της μπαταρίας και του προϊόντος. Ελέγξτε τη σύνδεση μεταξύ της μπαταρίας και του φορτιστή μπαταρίας.			X
Διοχευέστε προσεκτικά πεπιεσμένο αέρα στο προϊόν και την μπαταρία.			X

Αντιμετώπιση προβλημάτων

Πηλητρολόγιο

Πρόβλημα	Αιτία	Λύση
Η ένδειξη προειδοποίησης αναβοσβήνει.	Απόκλιση θερμοκρασίας.	Αφήστε το προϊόν να κρυώσει.
	Υπερφόρτωση. Το παρελκόμενο κοπής είναι φραγμένο.	Καθαρίστε το παρελκόμενο κοπής.
	Η σκανδάλη γκαζιού και το κουμπί εκκίνησης πατήθηκαν ταυτόχρονα.	Αφήστε τη σκανδάλη γκαζιού.
Η πράσινη λυχνία LED αναβοσβήνει.	Χαμηλή τάση μπαταρίας.	Φορτίστε την μπαταρία.
Η προειδοποιητική λυχνία είναι αναμμένη.	Σέρβις.	Απευθυνθείτε στον τοπικό αντιπρόσωπο σέρβις.

Μπαταρία

Πρόβλημα	Αιτία	Λύση
Η ένδειξη προειδοποίησης αναβοσβήνει.	Η μπαταρία δεν είναι φορτισμένη.	Φορτίστε την μπαταρία.
	Απόκλιση θερμοκρασίας.	Χρησιμοποιήστε την μπαταρία σε περιβάλλον με θερμοκρασίες μεταξύ -10 °C/14 °F και 40 °C/104 °F.
	Υπερβολικά υψηλή τάση.	Ελέγξτε ότι η τάση στην μπαταρία είναι ίδια με την τάση στην πινακίδα στοιχείων του προϊόντος. Αφαιρέστε την μπαταρία από το φορτιστή.
Η προειδοποιητική λυχνία είναι αναμμένη.	Υπερβολική διαφορά τάσης μεταξύ των στοιχείων της μπαταρίας (1 V).	Απευθυνθείτε στον τοπικό αντιπρόσωπο σέρβις.

Φορτιστής μπαταρίας

Πρόβλημα	Αιτία	Λύση
Η ένδειξη προειδοποίησης αναβοσβήνει.	Απόκλιση θερμοκρασίας.	Χρησιμοποιήστε την μπαταρία σε περιβάλλον με θερμοκρασίες μεταξύ 5 °C/41 °F και 40 °C/104 °F.
Η προειδοποιητική λυχνία είναι αναμμένη.		Απευθυνθείτε στον τοπικό αντιπρόσωπο σέρβις.

Μεταφορά, αποθήκευση και απόρριψη

Μεταφορά και αποθήκευση

- Οι παρεχόμενες μπαταρίες ιόντων λιθίου πληρούν όλες τις απαιτήσεις της νομοθεσίας περί επικίνδυνων εμπορευμάτων.
- Πρέπει να τηρείτε τις ειδικές απαιτήσεις που αναγράφονται στη συσκευασία και στις ετικέτες σχετικά με την εμπορική μεταφορά. Οι απαιτήσεις αυτές πρέπει επίσης να τηρούνται από οποιουσδήποτε τρίτους και από τους διαμετακομιστές.
- Απευθυνθείτε σε ένα άτομο ειδικά εκπαιδευμένο στα επικίνδυνα υλικά προτού στείλετε το προϊόν. Να τηρείτε όλους τους ισχύοντες εθνικούς κανονισμούς.
- Αν συσκευάσετε την μπαταρία, χρησιμοποιήστε ταινία πάνω στις ακάλυπτες επαφές. Σφηνώστε την μπαταρία μέσα στο πακέτο για να αποτρέψετε τυχόν μετακινήσεις.
- Κατά τη φύλαξη ή τη μεταφορά του προϊόντος πρέπει πάντα να αφαιρείτε την μπαταρία.
- Τοποθετήστε την μπαταρία και τον φορτιστή της μπαταρίας σε χώρο στεγνό και προστατευμένο από την υγρασία και τον παγετό.

- Μην αποθηκεύετε την μπαταρία σε χώρους όπου ενδέχεται να προκληθεί στατικός ηλεκτρισμός. Μην αποθηκεύετε την μπαταρία σε μεταλλικό κουτί.
- Η αποθήκευση της μπαταρίας πρέπει να γίνεται σε σημεία με θερμοκρασία μεταξύ 5 °C (41 °F) και 25 °C (77 °F) και μακριά από το άμεσο ηλιακό φως.
- Η αποθήκευση του φορτιστή της μπαταρίας πρέπει να γίνεται σε σημεία με θερμοκρασία μεταξύ 5 °C (41 °F) και 45 °C (113 °F) και μακριά από το άμεσο ηλιακό φως.
- Φορτίστε την μπαταρία κατά 30% έως 50% προτού την αποθηκεύσετε για μεγάλο χρονικό διάστημα.
- Η αποθήκευση του φορτιστή της μπαταρίας πρέπει να γίνεται σε χώρο κλειστό και στεγνό.
- Μην αποθηκεύετε την μπαταρία μαζί με τον φορτιστή. Μην επιτρέψετε να αγγίζουν τον εξοπλισμό παιδιά και άλλα μη εγκεκριμένα άτομα. Διατηρείτε τον εξοπλισμό σε χώρο που μπορείτε να κλειδώσετε.
- Προτού αποθηκεύσετε το προϊόν για μεγάλο χρονικό διάστημα, πρέπει να το καθαρίζετε και να εκτελείτε πλήρες σέρβις.
- Για να αποφύγετε τραυματισμούς ή ζημιές στο προϊόν κατά τη μεταφορά και την αποθήκευση, χρησιμοποιήστε το προστατευτικό μεταφοράς.

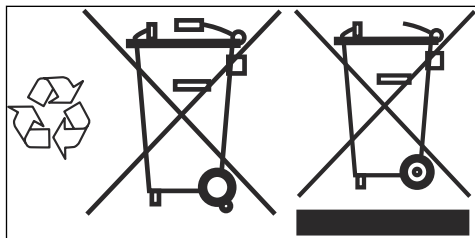
- Κατά τη μεταφορά, πρέπει να στερεώνετε καλά το προϊόν.

Περιεχόμενα Αυτό το σύμβολο υπάρχει πάνω στο προϊόν ή στη συσκευασία του προϊόντος.

Απόρριψη της μπαταρίας, του φορτιστή μπαταρίας και του προϊόντος

Το παρακάτω σύμβολο σημαίνει ότι το προϊόν δεν είναι οικιακό απόρριμμα. Ανακυκλώστε το σε κέντρο ανακύκλωσης ηλεκτρικού και ηλεκτρονικού εξοπλισμού. Με αυτόν τον τρόπο συμβάλλετε στην προστασία του περιβάλλοντος και των ανθρώπων.

Για περισσότερες πληροφορίες, απευθυνθείτε στις τοπικές αρχές, στην υπηρεσία αποκομιδής οικιακών απορριμμάτων ή στον αντιπρόσωπο.



Τεχνικά στοιχεία

Τεχνικά στοιχεία

Husqvarna K 535i				
Τάση		36V		
Βάρος, kg (lbs)		3,5 (7,7)		
Διάμετρος λεπίδας, mm (in.)		230 (9)		
Μέγ. πάχος λεπίδας, mm (in.)	Λεπίδες λείανσης	3,0 (0,1)		
	Αδαμαντοφόροι δίσκοι κοπής	1,8 (0,07)		
Ονομαστικές στροφές, μονάδα		5940 στροφές ανά λεπτό		
Ψύξη με νερό				
Ψύξη της λεπίδας με νερό		Ναι		
Συνδετικό εξάρτημα		Τύπος "Gardena"		
Συνιστώμενη πίεση νερού, bar (psi)		0,5 - 6 (7,3 - 87)		
Μέγιστη πίεση νερού, bar (psi)		6 (87)		
	Επίπεδα κραδασμών, a_{hveq}^1		Εκπομπές θορύβου 2	
	Εμπρός/Αριστερά	Πίσω Δεξιά	LpA	LwA
	m/s ²	m/s ²	dB(A)	dB(A)
BLi200	1,9	2,3		

Husqvarna K 535i				
BLi300	2.1	2.5	100,5	111,5
<p>¹ Η δηλωθείσα συνολική τιμή κραδασμών μετρήθηκε σύμφωνα με το πρότυπο EN 60745-2-22 και μπορεί να χρησιμοποιηθεί για τη σύγκριση μεταξύ εργαλείων. Η δηλωθείσα συνολική τιμή κραδασμών μπορεί να χρησιμοποιηθεί επίσης στην προκαταρκτική αξιολόγηση της έκθεσης.</p> <p>² Οι εκπομπές θορύβου μετρώνται σύμφωνα με το πρότυπο EN 60745-2-22.</p> <ul style="list-style-type: none"> • Η αβεβαιότητα για την Α-σταθμισμένη στάθμη ηχητικής ισχύος K_{pA} είναι 3 dB(A). • Η αβεβαιότητα για την Α-σταθμισμένη στάθμη ηχητικής πίεσης K_{pA} είναι 3 dB(A). 				

Αξεσουάρ

Εγκεκριμένες μπαταρίες προϊόντος

Μπαταρία	BLi200	BLi300
Τύπος	Ιόντων λιθίου	Ιόντων λιθίου
Χωρητικότητα μπαταρίας, Ah	5,2	9,4
Ονομαστική τάση, V	36	36
Βάρος, kg / lb	1,3 / 2,9	1,9 / 4,2

Εγκεκριμένοι φορτιστές μπαταρίας για το προϊόν

Φορτιστής μπαταρίας	QC330
Τάση δικτύου παροχής, V	100-240
Συχνότητα, Hz	50-60
Ισχύς, W	330

Contenido

Introducción.....	74	Resolución de problemas.....	95
Seguridad.....	76	Transporte, almacenamiento y eliminación.....	96
Montaje.....	83	Datos técnicos.....	97
Funcionamiento.....	87	Accesorios.....	97
Mantenimiento.....	93	Declaración de conformidad CE.....	99

Introducción

Descripción del producto

Husqvarna K 535i es una cortadora manual. El producto recibe corriente eléctrica de una batería.

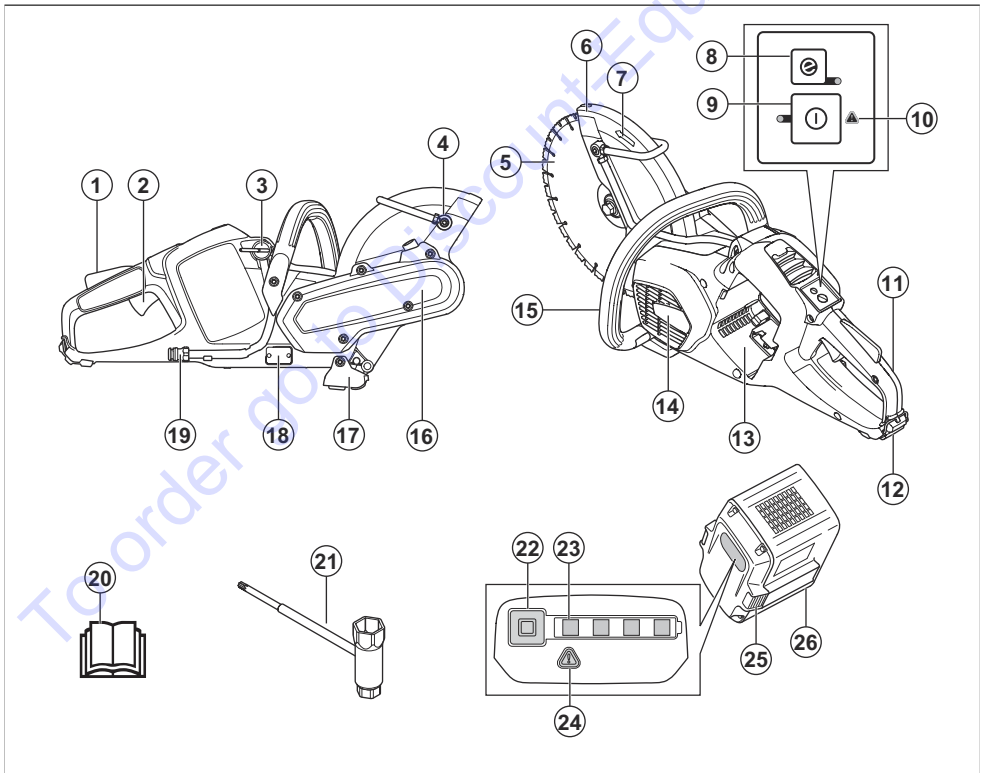
Trabajamos constantemente para mejorar la seguridad y la eficiencia durante el uso del producto. Póngase en contacto con su distribuidor para obtener más información.

Uso previsto

Este producto se utiliza para cortar tejas, planchas de jardín y hormigón ligero.

Nota: El uso de este producto podría estar limitado por la legislación nacional.

Descripción del producto



1. Bloqueo del gatillo de alimentación
2. Gatillo de alimentación

3. Válvula de agua
4. Boquilla de agua

5. Disco de corte
6. Protección del disco de corte
7. Rotación de la cuchilla
8. Botón SavE
9. Botón de arranque y parada
10. Indicador de advertencia
11. Empuñadura trasera con protección para la mano derecha
12. Apoyo de suelo trasero con ojal de cuerda
13. Ranura de la batería
14. Carcasa de ventilador
15. Mango delantero
16. Protección de la correa
17. Apoyo de suelo delantero
18. Placa de identificación
19. Conexión de agua con filtro
20. Manual de usuario
21. Llave combinada
22. Botón, estado de la batería
23. Estado de la batería
24. Indicador de advertencia
25. Botón para extraer la batería
26. Batería (no se incluye)



Las reculadas pueden ser repentinas, rápidas y provocar lesiones. Lea las instrucciones y asegúrese de entender su contenido antes de utilizar el producto.



Compruebe que el disco no está dañado ni agrietado.



No utilice hojas de sierra circulares.



Marca medioambiental. El producto o su embalaje no son residuos domésticos. Recíclelo en un centro de reciclaje para equipos eléctricos y electrónicos.

Símbolos que aparecen en el producto



Riesgo de lesiones graves o mortales tanto para el operador como para cualquier otra persona. Tenga cuidado y utilice el producto correctamente.



Lea detenidamente el manual y asegúrese de que comprende las instrucciones antes de utilizar el producto.



Use un casco protector, protección respiratoria, protección ocular y protectores auriculares homologados.




Este producto acata las directivas CE vigentes.



El humo que se produce al cortar puede causar lesiones si se inhala, por lo que se debe utilizar una protección respiratoria aprobada. Evite respirar gases de escape. Asegúrese de que el flujo de aire sea suficiente.



Las chispas del disco de corte pueden causar un incendio en materiales como gasolina, madera, ropa y hierba seca.

	Dirección de rotación de la cuchilla
aaaa ss xxxx	La placa de características muestra el número de serie. aaaa es el año de fabricación, ss es la semana de producción.
∅	Diámetro exterior máximo del disco
cc	Corriente continua
n	Velocidad nominal

Nota: Los demás símbolos/etiquetas que aparecen en el producto corresponden a requisitos de homologación específicos en algunos mercados.

Símbolos que aparecen en la batería o en el cargador de la batería



Recicle el producto en un centro de reciclaje para equipos eléctricos y electrónicos. (Aplicable solo para Europa)



Transformador a prueba de fallos.



Utilice y guarde el cargador de baterías únicamente en interiores.



Doble aislamiento.

Responsabilidad sobre el producto

Como se estipula en las leyes de responsabilidad del producto, no nos hacemos responsables de los daños y perjuicios causados por nuestro producto si:

- El producto se ha reparado incorrectamente.
- El producto se ha reparado con piezas que no eran del fabricante o no autorizadas por el fabricante.
- El producto tiene un accesorio que no es del fabricante o no está autorizado por este.
- El producto no se ha reparado en un centro de servicio autorizado o por un organismo homologado.

Seguridad

Definiciones de seguridad

Las advertencias, precauciones y notas se utilizan para destacar información especialmente importante del manual.



ADVERTENCIA: Indica un riesgo de lesiones o incluso de muerte del usuario o de las personas cercanas si no se respetan las instrucciones del manual.



PRECAUCIÓN: Indica un riesgo de daños en el producto, otros materiales o el área adyacente si no se respetan las instrucciones del manual.

Nota: Se usa para proporcionar más información necesaria en una situación determinada.

Advertencias generales de seguridad relacionadas con la herramienta eléctrica



ADVERTENCIA: Lea todas las advertencias e instrucciones de seguridad. El incumplimiento de las advertencias e instrucciones de seguridad puede ocasionar descargas eléctricas, incendios o lesiones graves.

Nota: Conserve todas las advertencias e instrucciones para su consulta. El término «herramienta eléctrica» empleado en las advertencias hace referencia a una herramienta eléctrica que funciona con conexión a la red de suministro (con cable) o a una herramienta que funciona con batería (sin cable).

Seguridad en el área de trabajo

- **Mantenga el área de trabajo limpia y bien iluminada.** Las zonas abarrotadas de cosas u oscuras favorecen los accidentes.

- **No maneje herramientas eléctricas en ambientes explosivos como aquellos en los que hay líquidos, gases o polvo inflamables.** Las herramientas eléctricas producen chispas que pueden inflamar el polvo o los vapores.
- **Mantenga alejados a los niños y a otras personas mientras trabaje con una herramienta eléctrica.** Las distracciones pueden hacer que pierda el control de esta.

Seguridad eléctrica

- **Los enchufes de las herramientas eléctricas deben corresponder a la toma de corriente utilizada. Nunca modifique el enchufe. No utilice adaptadores para las herramientas eléctricas con conexión a tierra.** Use enchufes sin modificar y tomas de corriente del mismo tipo que estos, evitando así el uso de adaptadores, para reducir el riesgo de descarga eléctrica.
- **Evite el contacto de su cuerpo con superficies puestas a tierra como tuberías, radiadores, cocinas y neveras.** Si su cuerpo está en contacto con el suelo, existe un mayor riesgo de descarga eléctrica.
- **No exponga las herramientas eléctricas a la lluvia o a ambientes húmedos.** El riesgo de recibir descargas eléctricas aumentará si penetra agua en la herramienta eléctrica.
- **Maneje el cable con cuidado.** No lo utilice nunca para transportar, tirar o desenchufar la herramienta eléctrica. Manténgalo alejado de fuentes de calor, aceite, aristas vivas o piezas móviles. Los cables dañados o enredados incrementan el riesgo de descarga eléctrica.
- **Cuando trabaje con una herramienta eléctrica en exteriores, utilice un alargador indicado para este uso.** Utilizar un cable adecuado para su uso en exteriores reduce el riesgo de descarga eléctrica.
- **Si es necesario utilizar una herramienta eléctrica en un lugar húmedo, utilice suministro eléctrico protegido con un interruptor de circuito diferencial (RCD).** La utilización de un interruptor de circuito diferencial reduce el riesgo de descargas eléctricas.



PRECAUCIÓN: No lave a presión la máquina, ya que el agua puede entrar en el

Uso y cuidado de la herramienta eléctrica

Seguridad personal

- **Esté siempre atento, fíjese en lo que está haciendo y utilice el sentido común cuando maneje una herramienta eléctrica. No utilice herramientas eléctricas si está cansado o bajo los efectos de estupefacientes, alcohol o medicamentos.** Un momento de descuido, mientras se trabaja con herramientas eléctricas, puede causar lesiones graves.
 - **Utilice el equipo de protección individual. Protéjase siempre los ojos.** El equipo de protección, como la mascarilla antipolvo, los zapatos de seguridad antideslizantes, el casco o los protectores auditivos, utilizados en función de las condiciones de trabajo, reducirá el riesgo de lesiones.
 - **Evite el encendido accidental de la herramienta. Asegúrese de que el interruptor está en la posición de apagado antes de conectar la máquina a la fuente de alimentación o la batería, cogerla o transportarla.** Transportar herramientas eléctricas con el dedo puesto sobre el interruptor o encenderlas con el interruptor en la posición de encendido puede provocar accidentes.
 - **Quite todas las clavijas de ajuste o llaves de tuercas antes de encender la herramienta eléctrica.** Una llave de tuercas o clavija de ajuste que se ha dejado colocada en una pieza giratoria de la herramienta eléctrica puede causar lesiones.
 - **No se estire demasiado. Mantenga una posición correcta y el equilibrio en todo momento.** Esto le permitirá controlar mejor la herramienta eléctrica en situaciones imprevistas.
 - **Utilice la ropa adecuada. No utilice nunca ropa amplia ni joyas. Mantenga el pelo, la ropa y los guantes alejados de las piezas móviles.** La ropa amplia, las joyas o el pelo largo pueden quedar atrapados en las piezas móviles.
 - **Si se suministran equipos de aspiración o captación de polvo, asegúrese de que estén conectados y se utilicen correctamente.** El uso de estos equipos puede reducir los riesgos derivados del polvo.
 - **La emisión de vibración durante el uso de la herramienta eléctrica puede ser diferente del valor indicado en función del uso de la misma.** El usuario debe conocer las medidas de seguridad necesarias que se basan en una estimación de la exposición en condiciones de uso reales (teniendo en cuenta todas las partes del ciclo de funcionamiento, como el periodo en que la herramienta está apagada y el funcionamiento en ralentí además del gatillo).
 - **Manténgase alejado del disco mientras el motor esté en marcha.**
- **No sobrecargue la herramienta eléctrica. Utilice la herramienta eléctrica adecuada para el trabajo que debe realizar.** Con la herramienta eléctrica apropiada hará el trabajo mejor y con mayor seguridad a la potencia para la que fue diseñada.
 - **No utilice la herramienta eléctrica si el interruptor no funciona.** Las herramientas que no se puedan controlar con el interruptor son peligrosas y deben repararse.
 - **Desconecte el enchufe de la fuente de alimentación o la batería de la herramienta eléctrica antes de realizar cualquier ajuste, cambiar accesorios o guardarla.** Estas medidas de seguridad preventivas reducen el riesgo de encendido accidental de la herramienta eléctrica.
 - **Guarde las herramientas eléctricas que no se utilicen fuera del alcance de los niños y no permita que personas no familiarizadas con su uso o con estas instrucciones las manejen.** Las herramientas eléctricas resultan peligrosas en manos de usuarios no cualificados.
 - **Cuide las herramientas. Compruebe que no haya partes móviles mal alineadas o trabadas, piezas rotas o cualquier otra circunstancia que pueda afectar al funcionamiento de la herramienta eléctrica. Si detecta daños, haga reparar la herramienta eléctrica antes de utilizarla.** Muchos accidentes se deben al uso de herramientas eléctricas que carecen de un mantenimiento adecuado.
 - **Mantenga las herramientas de corte afiladas y limpias.** Las herramientas de corte con aristas afiladas y un mantenimiento adecuado tienen menos probabilidades de trabarse y son más fáciles de controlar.
 - **Utilice la herramienta eléctrica, los accesorios, útiles, etc. según se indica en estas instrucciones, teniendo en cuenta las condiciones de trabajo y la tarea que debe realizar.** El uso de la herramienta eléctrica para trabajos distintos a aquellos para los que fue diseñada podría dar lugar a situaciones peligrosas.
 - **Está totalmente prohibido modificar el diseño original de la máquina sin la aprobación previa del fabricante.** Utilice siempre piezas de repuesto originales. Las modificaciones o la utilización de accesorios no autorizados pueden ocasionar lesiones graves o incluso la muerte del usuario o de otras personas.
 - **Asegúrese de que no haya tuberías o cables eléctricos en la zona de trabajo o en el material que vaya a cortar.**
 - **Compruebe y marque siempre la ubicación de las tuberías de gas.** Cortar cerca de las tuberías de gas supone siempre un peligro. Asegúrese de que no se generen chispas cuando corte en situaciones donde exista riesgo de explosión. Céntrese en la tarea que está realizando. La utilización del equipo sin el

debido cuidado puede causar lesiones graves o la muerte.

Uso y cuidado de la herramienta con batería

- **Efectúe las recargas únicamente con el cargador especificado por el fabricante.** Un cargador apto para un tipo de batería puede comportar riesgo de incendio al utilizarse con otra batería distinta.
- **Utilice las herramientas eléctricas únicamente con las baterías específicas para ellas.** El uso de otra batería puede comportar riesgo de lesiones e incendio.
- **Cuando no utilice la batería, manténgala alejada de objetos metálicos que puedan conectar un terminal a otro, como clips, monedas, llaves, clavos, tornillos u otros objetos metálicos pequeños.** Un cortocircuito en los terminales de la batería puede causar quemaduras o un incendio.
- **En condiciones extremas, el líquido puede salir expulsado de la batería; evite cualquier contacto. Si se produjera un contacto accidentalmente, enjuáguese con agua. Además, si el líquido entra en contacto con los ojos, busque asistencia médica.** El líquido expulsado de la batería puede causar irritaciones o quemaduras.

Servicio técnico

- **Solicite que su herramienta eléctrica sea reparada por personal cualificado y utilizando únicamente piezas de repuesto originales.** Esto garantizará la seguridad de la herramienta.

Advertencia de seguridad de la cortadora

- **La protección que se proporciona junto con la herramienta eléctrica debe estar firmemente sujeta a esta y posicionada para ofrecer la máxima seguridad, de tal forma que la parte del disco expuesta hacia el operador sea mínima.** Tanto usted como otras personas próximas deben mantenerse alejados del plano del disco en movimiento. La protección contribuye a resguardar al operador de los fragmentos de discos rotos y del contacto accidental con el disco.
- **Con la herramienta eléctrica use solamente discos de corte de diamante o reforzados.** El hecho de que un accesorio se pueda acoplar a la herramienta eléctrica no garantiza un funcionamiento seguro.
- **La velocidad nominal del accesorio debe ser como mínimo igual a la velocidad máxima indicada en la herramienta eléctrica.** Los accesorios que giran a una velocidad superior a su velocidad nominal pueden romperse y salir despedidos.
- **Los discos deben usarse solo para las aplicaciones recomendadas. Por ejemplo, no se debe amolar con el canto del disco de corte.** Los discos de corte abrasivos están diseñados para un rectificado

periférico; las fuerzas laterales que se aplican a estos discos pueden hacer que se rompan.

- **Utilice siempre bridas de disco en buen estado que presenten el diámetro correcto para el disco seleccionado.** Las bridas de disco adecuadas sujetan el disco, reduciendo así la posibilidad de rotura del mismo.
- **No utilice discos reforzados desgastados provenientes de herramientas eléctricas más grandes.** Los discos destinados a una herramienta eléctrica más grande no son adecuados para la mayor velocidad que alcanza una herramienta más pequeña, por lo que pueden romperse.
- **El diámetro exterior y el grosor del accesorio deben situarse dentro de la capacidad nominal de su herramienta eléctrica.** Los accesorios con un tamaño incorrecto no se pueden proteger o controlar adecuadamente.
- **El tamaño del casquillo de los discos y las bridas debe ajustarse correctamente al eje de la herramienta eléctrica.** Los discos y las bridas con orificios de casquillo que no coincidan con la tornillería de montaje de la herramienta eléctrica se desequilibrarán, vibrarán en exceso y pueden provocar una pérdida de control.
- **No utilice discos en mal estado. Antes de cada uso, inspeccione los discos para comprobar que no les faltan trozos ni tienen grietas. Si la herramienta eléctrica o el disco se han caído, compruebe que no presentan daños o instale un disco que esté en buenas condiciones. Después de inspeccionar e instalar el disco, sitúese con cualquier transeúnte presente fuera del plano del disco en movimiento y encienda la herramienta eléctrica a velocidad máxima sin carga durante un minuto.** En principio, si los discos están dañados, se romperán durante el tiempo que dure la prueba.
- **Utilice el equipo de protección personal.** Dependiendo de la aplicación, utilice una máscara de protección, anteojos o gafas de seguridad. Cuando sea necesario, utilice una máscara contra polvo, protectores auriculares, guantes y delantales de taller capaces de detener pequeños fragmentos abrasivos o de piezas de trabajo. La protección ocular debe ser capaz de detener los residuos aéreos generados por diversas operaciones. La máscara contra polvo o respiratoria debe ser capaz de filtrar las partículas generadas por la actividad realizada. La exposición prolongada a ruidos muy intensos puede causar pérdida auditiva.
- **Mantenga a los transeúntes a una distancia segura de la zona de trabajo. Cualquier persona que acceda a la zona de trabajo debe usar equipo de protección personal.** Los fragmentos de la pieza de trabajo o de un disco roto pueden salir disparados y provocar lesiones más allá de la zona de trabajo más próxima.
- **Sujete la herramienta eléctrica únicamente por las superficies de agarre aisladas cuando realice una actividad en la que el accesorio de corte pudiera entrar en contacto con algún cable oculto.** Si el

accesorio de corte entra en contacto con un cable con tensión, es posible que las piezas metálicas expuestas de la herramienta eléctrica conduzcan la corriente y pueden producir al usuario una descarga eléctrica.

- **Nunca apoye la herramienta eléctrica sobre una superficie hasta que el accesorio se haya detenido por completo.** El disco en movimiento puede trabarse en la superficie y hacer que pierda el control de la herramienta eléctrica.
- **No tenga la herramienta eléctrica en funcionamiento mientras la lleva a su lado.** El contacto accidental con el accesorio en movimiento podría hacer que este se enganchase a la ropa y ocasionase heridas en el cuerpo.
- **Limpie periódicamente los orificios de ventilación de la herramienta eléctrica.** El ventilador del motor atraerá el polvo al interior de la carcasa y la acumulación excesiva de polvo metálico puede causar riesgos eléctricos.
- **No utilice la herramienta eléctrica cerca de materiales inflamables.** Las chispas podrían prender fuego a estos materiales.

Advertencias sobre reculada y situaciones relacionadas

- **La reculada es una reacción repentina a un disco en movimiento que ha quedado atrapado o enganchado.** Dicho atrapamiento o enganche provoca una parada repentina del disco en rotación, que a su vez hace que la herramienta eléctrica sin control se desplace en la dirección contraria a la del giro del disco en el punto donde se ha atascado.
- **Por ejemplo, si un disco abrasivo queda enganchado o atrapado por la pieza de trabajo, el borde del disco que está entrando en el punto de atrapamiento puede penetrar la superficie del material haciendo que el disco remonte o salga dando sacudidas.** El disco puede saltar hacia el operario o en dirección contraria a este, dependiendo de la dirección del movimiento del disco en el punto de atrapamiento. Los discos abrasivos también pueden romperse en estas condiciones.
- **Una reculada es la consecuencia de un uso inapropiado de la herramienta eléctrica o de procedimientos o condiciones de trabajo incorrectos. Por lo tanto, puede evitarse tomando las siguientes precauciones:**
 - **Agarre con firmeza la herramienta eléctrica y coloque su cuerpo y el brazo de tal forma que le permitan resistir las fuerzas de reculada.** Utilice siempre un mango auxiliar, si está disponible, para tener el máximo control sobre una posible reculada o reacción de torsión al poner en marcha la herramienta. El operador puede controlar las reacciones de torsión o las fuerzas reculada siempre y cuando se adopten las precauciones adecuadas.

- **Nunca coloque la mano cerca del accesorio en movimiento.** El accesorio podría recular hacia la mano.
- **No coloque su cuerpo en línea con el disco en movimiento.** La reculada impulsará la herramienta en la dirección contraria a la del movimiento del disco en el punto de enganche.
- **Tenga especial cuidado cuando trabaje en esquinas, bordes afilados, etc.** Evite que el accesorio rebote y se enganche. Las esquinas, los bordes afilados o los rebotes tienden a hacer que el accesorio en movimiento se enganche y provocar una pérdida de control o reculada.
- **No instale una cadena de sierra, una hoja para tala de madera ni un disco de diamante segmentado con una separación periférica superior a 10 mm o un disco de sierra dentado.** Estas hojas crean una reculada frecuente y pérdida de control.
- **No "atasque" el disco ni aplique una presión excesiva.** No intente conseguir una profundidad de corte excesiva. Si se somete al disco a una presión excesiva, aumentará la carga y la susceptibilidad a la torsión o el atasco del disco en el corte, así como la posibilidad de reculada o de rotura del disco.
- **Cuando el disco se atasque o se interrumpa un corte por cualquier motivo, apague la herramienta eléctrica y sosténgala sin moverla hasta que el disco se detenga por completo.** No intente nunca retirar el disco del corte mientras está en movimiento, ya que de lo contrario se podría producir una reculada. Investigue y aplique medidas correctivas para eliminar la causa de los atascos del disco.
- **No reinicie la operación de corte en la pieza de trabajo.** Deje que el disco alcance la máxima velocidad y vuelva a introducirlo con cuidado en el corte. Si se vuelve a encender la herramienta eléctrica con el disco insertado en la pieza de trabajo, el disco puede trabarse, salir de la pieza o recular.
- **Apoye los paneles o cualquier pieza de trabajo de gran tamaño para reducir al mínimo el riesgo de atasco y de reculada del disco.** Las piezas de trabajo grandes tienden a hundirse por su propio peso. Los soportes deben colocarse debajo de la pieza de trabajo, cerca de la línea de corte, y cerca del borde de la pieza de trabajo en ambos lados del disco.
- **Preste una atención especial al realizar un "corte de vaciado" en paredes u otras áreas ciegas.** La parte que sobresale del disco puede cortar tuberías de gas o de agua, cableado eléctrico u otros objetos y provocar una reculada.

Instrucciones generales de seguridad



ADVERTENCIA: Lea las siguientes instrucciones de advertencia antes de utilizar el producto.

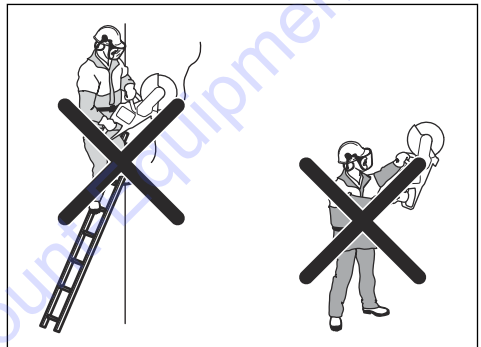
- Este producto es una herramienta peligrosa y puede causar lesiones graves si no se usa con cuidado o si se usa incorrectamente. Es muy importante que lea y comprenda el contenido de este manual.
- No realice modificaciones en el producto sin la aprobación previa del fabricante. No utilice un producto modificado por otras personas y emplee siempre accesorios originales. Las modificaciones que no hayan recibido la aprobación del fabricante pueden provocar lesiones graves o la muerte al operador o a cualquier otra persona.
- Mantenga el producto limpio. Los letreros y las etiquetas deben ser completamente visuales.
- Este producto genera un campo electromagnético durante el funcionamiento. Este campo magnético puede, en determinadas circunstancias, interferir con implantes médicos activos o pasivos. Para reducir el riesgo de lesiones graves o mortales, recomendamos que las personas que utilizan implantes médicos consulten a su médico y al fabricante del implante antes de poner en marcha este producto.
- Observe el entorno. Asegúrese de que nadie ni ningún animal puedan interferir en la zona ni afectar al control del producto.
- No permita que los niños usen ni se aproximen al producto. El producto arranca fácilmente. Esto supone un riesgo de lesiones graves.
- Retire la batería cuando el producto se encuentre fuera de su campo de visión. Retire la batería si no va a utilizar el producto durante un largo periodo de tiempo.
- Debe contar con un equilibrio óptimo para poder controlar por completo el producto. No utilice el producto si se ha subido a una escalera. No utilice el producto si no se encuentra sobre una superficie estable.
- No utilice nunca el producto por encima de los hombros.

Instrucciones de seguridad para el funcionamiento



ADVERTENCIA: Lea todas las advertencias e instrucciones de seguridad. El incumplimiento de las advertencias e instrucciones de seguridad puede ocasionar descargas eléctricas, incendios o lesiones graves.

- No corte materiales de amianto.
- Si realiza un corte seco, asegúrese de que el polvo se extraiga de forma segura.
- La información de este manual no reemplaza en ningún caso la experiencia y los conocimientos de un profesional. Si no se siente seguro en la situación en la que se encuentra, detenga el producto. No utilice el producto en situaciones desconocidas.
- Consulte a su distribuidor o a Husqvarna si tiene alguna pregunta acerca del funcionamiento del producto. Podemos ofrecerle información para utilizar el producto de forma segura con los mejores resultados.
- No utilice un producto, una batería o un cargador de baterías defectuosos.
- No toque un disco de corte en movimiento. Puede provocar lesiones graves o mortales.
- No use el producto en condiciones meteorológicas desfavorables como, por ejemplo, niebla densa, lluvia fuerte, tempestad o frío intenso. El mal tiempo conlleva riesgos, como la presencia de hielo en el suelo.
- No encienda un producto a menos que todas las cubiertas y protecciones estén montadas correctamente.



- Si no tiene cuidado, el riesgo de reculada aumenta.



- No sujete el producto con una sola mano. Este producto no se controla con seguridad con una mano.
- No utilice el producto si las circunstancias no le permiten recibir ayuda en caso de accidente.
- Compruebe que pueda caminar con seguridad. Examine las condiciones y el terreno que le rodea para identificar posibles obstáculos.
- La sobreexposición a las vibraciones puede provocar problemas circulatorios y dolencias de

carácter nervioso, especialmente en personas con patologías circulatorias. Acuda a un médico si nota síntomas corporales que puedan relacionarse con la sobreexposición a las vibraciones. Son ejemplos de tales síntomas la pérdida de sensibilidad, el 'cosquilleo', las 'punzadas', el dolor, la pérdida o reducción de la fuerza normal o los cambios en el color y la superficie de la piel. Estos síntomas se presentan normalmente en dedos, manos y muñecas. Los síntomas pueden aumentar en temperaturas frías.

- No es posible mencionar todas las situaciones que se puede encontrar al usar este producto. Proceda siempre con cuidado y utilice siempre el sentido común.

- **Nota:** Después de manejar la herramienta, se deberán levantar los protectores auriculares apenas termine el aserrado, a fin de poder advertir ruidos y señales de advertencia.

Equipo de protección personal



ADVERTENCIA: Lea todas las advertencias e instrucciones de seguridad. El incumplimiento de las advertencias e instrucciones de seguridad puede ocasionar descargas eléctricas, incendios o lesiones graves.

- Utilice un equipo de protección personal homologado durante el uso del producto. El equipo de protección personal no elimina completamente el riesgo de lesiones, pero reduce la gravedad de las lesiones en caso de accidente. Consulte a su taller de servicio para que le informe sobre el equipo que puede utilizar.
- La ropa debe ser ceñida pero debe permitirle total libertad de movimiento. Compruebe periódicamente el estado del equipo de protección personal.
- Utilice un casco protector homologado.
- Utilice protección respiratoria homologada.
- Utilice protección auditiva homologada. La exposición prolongada al ruido puede causar daños crónicos en el oído.
- Utilice siempre gafas protectoras o visera para reducir el riesgo de lesiones causadas por partículas y polvo. Ello comporta riesgo de lesiones personales graves, especialmente en los ojos.
- Use guantes protectores resistentes.
- Use botas con puntera de acero y suela antideslizante.
- Tenga siempre a mano el equipo de primeros auxilios.

Dispositivos de seguridad en el producto

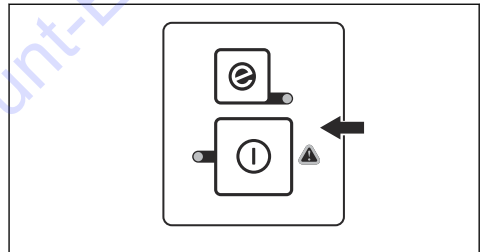


ADVERTENCIA: Lea todas las advertencias e instrucciones de seguridad. El incumplimiento de las advertencias e instrucciones de seguridad puede ocasionar descargas eléctricas, incendios o lesiones graves.

- No utilice un producto si alguno de sus componentes de seguridad no se encuentra en perfectas condiciones. El equipo de seguridad debe someterse a inspecciones y trabajos de mantenimiento de manera periódica. Si se detecta que un dispositivo de seguridad no está en óptimas condiciones tras revisarlo, acuda a su distribuidor para repararlo.

Teclado

El indicador de advertencia parpadea si existe riesgo de sobrecarga. La protección contra sobrecarga detiene temporalmente el producto; no podrá seguir trabajando con él hasta que la temperatura se restablezca. Si el indicador muestra una luz fija, acuda a su distribuidor.



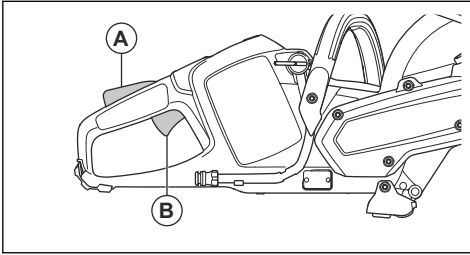
Función de parada automática

El producto cuenta con una función de parada automática que detiene el producto si no lo usa durante un minuto.

Bloqueo del gatillo de alimentación

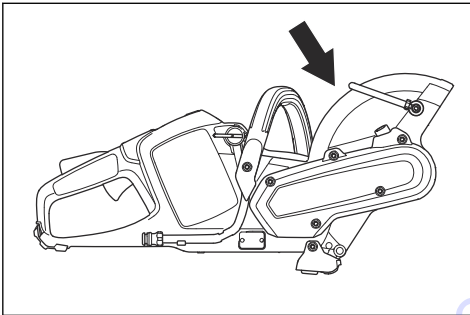
El bloqueo del gatillo de alimentación evita el uso accidental de dicho gatillo. Si coloca la mano en el mango y presiona el bloqueo del gatillo de alimentación (A), se desbloqueará el gatillo de alimentación (B). Al

soltar el mango, el gatillo de alimentación y el bloqueo vuelven a sus posiciones iniciales.



Protección del disco de corte

La protección del disco evita que las partículas de corte causen lesiones al usuario. La protección impide que las piezas se aflojen y provoquen daños al usuario



Seguridad de la batería



ADVERTENCIA: Lea todas las advertencias e instrucciones de seguridad. El incumplimiento de las advertencias e instrucciones de seguridad puede ocasionar descargas eléctricas, incendios o lesiones graves.

- Utilice únicamente las baterías Husqvarna BLi recomendadas para el producto. Las baterías están encriptadas mediante software.
- Utilice las baterías recargables Husqvarna BLi como fuente de alimentación solo para los productos Husqvarna relacionados. Para evitar lesiones, no utilice la batería como fuente de alimentación de otros dispositivos.
- Riesgo de descarga eléctrica. No conecte los terminales de la batería a llaves, tornillos u otros objetos metálicos. Esto puede provocar un cortocircuito en la batería.
- No utilice baterías que no sean recargables.
- No coloque objetos en las ranuras de ventilación de la batería.
- Mantenga la batería lejos de la luz directa del sol, de fuentes de calor o de llamas abiertas. La batería

puede explotar y provocar quemaduras graves y/o quemaduras químicas.

- Mantenga la batería resguardada de la lluvia y la humedad.
- Mantenga la batería lejos de microondas y fuentes de alta presión.
- No intente desmontar o romper la batería.
- No permita que el ácido de la batería entre en contacto con la piel. El ácido de la batería provoca lesiones en la piel, corrosión y quemaduras. Si el ácido de la batería entra en contacto con los ojos, no los frote: enjuáguelos con abundante agua durante al menos 15 minutos. Si el ácido de la batería ha entrado en contacto con la piel, lávela con agua abundante y jabón. Busque asistencia médica.
- Utilice la batería con temperaturas entre -10 °C (14 °F) y 40 °C (104 °F).
- No limpie la batería o el cargador con agua. Consulte *Para limpiar la batería y el cargador de la batería en la página 94.*
- No utilice una batería defectuosa o dañada.
- Guarde la batería alejada de objetos metálicos, como clavos, tornillos o joyas.
- Mantenga la batería alejada de los niños.

Seguridad del cargador de la batería



ADVERTENCIA: Lea todas las advertencias e instrucciones de seguridad. El incumplimiento de las advertencias e instrucciones de seguridad puede ocasionar descargas eléctricas, incendios o lesiones graves.

- Existe riesgo de descarga eléctrica o cortocircuito si no se siguen las instrucciones de seguridad.
- No utilice cargadores de batería diferentes al suministrado con su producto. Utilice únicamente cargadores Husqvarna QC cuando cargue las baterías Husqvarna BLi de repuesto.
- No intente desmontar el cargador de batería.
- No utilice un cargador de batería defectuoso o dañado.
- No levante el cargador de la batería tirando del cable de alimentación. Para desconectar el cargador de batería de la toma de corriente, tire del enchufe. No tire del cable de alimentación.
- Mantenga todos los cables y cables de extensión, alejados del agua, el aceite y los bordes afilados. Proceda con cuidado para evitar que el cable se enganche en puertas, vallas o estructuras parecidas.
- No utilice el cargador de batería cerca de materiales inflamables o corrosivos. Asegúrese de que el cargador de batería no está cubierto. Desenchufe el cargador de batería en caso de humareda o incendio.
- Solo cargue la batería en interiores si se trata de un lugar con buena ventilación y lejos de la luz solar

directa. No cargue la batería en el exterior. No cargue la batería en un entorno húmedo.

- Utilice solamente el cargador de batería a temperaturas entre 5 °C (41 °F) y 40 °C (104 °F). Utilice el cargador en un entorno ventilado, seco y sin polvo.
- No cubra las ranuras de ventilación del cargador de la batería.
- No conecte nunca los bornes del cargador de batería a objetos metálicos: pueden cortocircuitar el cargador.
- El cargador no debe usarse para intentar cargar baterías no recargables, ni se deben utilizar este tipo de baterías en la máquina.
- Utilice tomas de corriente homologadas y que estén en buen estado.

Instrucciones de seguridad para el mantenimiento



ADVERTENCIA: Lea las instrucciones de advertencia siguientes

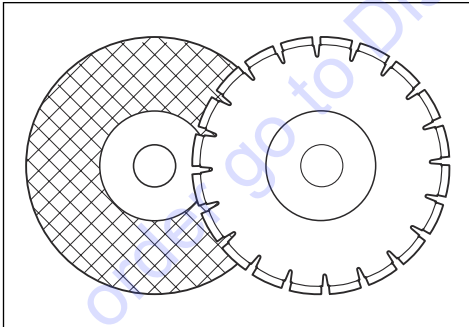
antes de realizar el mantenimiento del producto.

- Retire la batería antes de realizar tareas de mantenimiento, otras comprobaciones o montar el producto.
- El usuario debe realizar solo el mantenimiento y las reparaciones indicadas en este manual. Acuda a su taller de servicio autorizado para las tareas de mantenimiento y reparaciones más importantes.
- No limpie la batería o el cargador con agua. Los detergentes agresivos pueden provocar daños en el plástico.
- Si no se realiza el mantenimiento, el ciclo de vida del producto disminuye y aumenta el riesgo de accidentes.
- Para realizar todos los trabajos de mantenimiento y reparación, especialmente en los dispositivos de seguridad en el producto, es necesaria una formación especial. Si no están aprobadas todas las comprobaciones de este manual de usuario después de realizar tareas de mantenimiento, acuda al taller de su distribuidor local. Le garantizamos que realizarán reparaciones y mantenimiento profesionales en su producto.
- Utilice únicamente piezas de repuesto originales.

Montaje

Discos de corte disponibles

Hay dos modelos básicos de disco de corte para Husqvarna K 535i: discos abrasivos y discos de diamante.



velocidad. Esta situación podría dar lugar a lesiones de carácter incluso mortal.



ADVERTENCIA: Un uso incorrecto puede hacer que el disco se caliente demasiado. Un disco demasiado caliente puede provocar una avería, que a su vez puede traducirse en daños y lesiones.



ADVERTENCIA: No utilice un disco de corte con una velocidad máxima inferior a la de la cortadora. Utilice únicamente discos de corte que cumplan las normas nacionales o regionales.

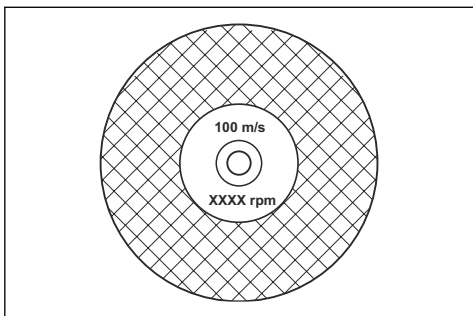
Discos de corte para cortadoras manuales de alta velocidad



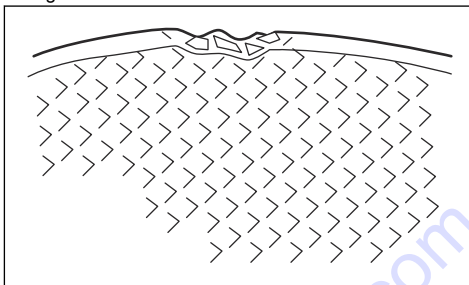
ADVERTENCIA: Use solamente discos de diamante y discos abrasivos para hormigón. No utilice discos con estrías, como discos de corte para madera circulares o discos con puntas de carburo. El riesgo de reculada es mayor y las puntas de carburo pueden entrar y salir a gran

Nota: Corte únicamente materiales homologados que figuren en las instrucciones que se proporcionan con el disco.

El disco de corte debe estar homologado para una velocidad igual o superior a la que se indica en la placa de identificación de la cortadora.



- Compruebe que el disco no está dañado ni agrietado.



Vibraciones del disco



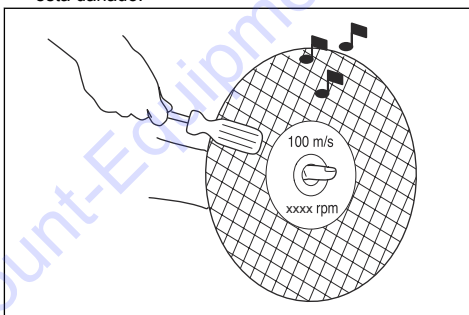
PRECAUCIÓN: Si utiliza el producto con demasiada fuerza, el disco puede calentarse demasiado, doblarse y provocar vibraciones. Utilice el producto con menos fuerza. Si las vibraciones persisten, cambie el disco.

- Pruebe el disco abrasivo colgándolo de un dedo y golpeándolo suavemente con el mango de un destornillador o similar. Si el disco no produce un sonido de tonalidad clara y limpia, es señal de que está dañado.

Discos abrasivos



ADVERTENCIA: No utilice discos abrasivos con agua. La fuerza de los discos abrasivos disminuye cuando están expuestos al agua o a la humedad, lo que aumenta el riesgo de que se rompan.



- Asegúrese de utilizar un disco abrasivo adecuado para el material.



PRECAUCIÓN: Con el accesorio de aspiración no puede cortar con discos abrasivos. Si se usan discos abrasivos, el accesorio de aspiración se desgasta de manera anormal.

Discos de diamante



PRECAUCIÓN: No utilice discos abrasivos cuyo grosor supere el grosor máximo recomendado; consulte la sección *Datos técnicos en la página 97*



ADVERTENCIA: Nunca utilice un disco de diamante para cortar material de plástico. El calor producido durante el corte podría derretir el plástico, que se podría pegar al disco de corte y causar una reculada.

- No utilice discos reforzados desgastados provenientes de herramientas eléctricas más grandes. Los discos destinados a una herramienta eléctrica más grande no son adecuados para la mayor velocidad que alcanza una herramienta más pequeña, por lo que pueden romperse.
- El material de corte de los discos abrasivos consta de granos abrasivos ligados con adhesivos orgánicos. Los discos reforzados consisten en una base de textil o fibra que, en caso de rotura o daño del disco, impide que este se astille completamente a un régimen máximo de trabajo.
- El rendimiento de un disco se determina por el tamaño de los granos abrasivos y por el tipo y dureza de los aglomerantes orgánicos.



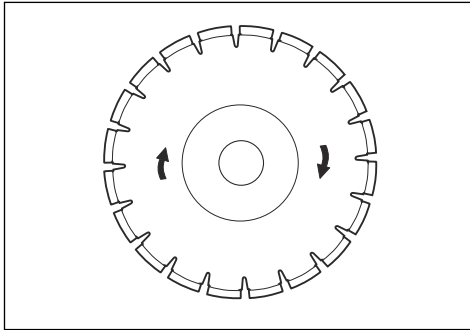
ADVERTENCIA: Los discos de diamante se calientan mucho con el uso. Un disco recalentado es consecuencia de un uso inadecuado y puede deformarse, lo que podría causar daños y lesiones.

Nota: Afile el disco cortando en un material blando como arenisca o un bloque.

- Use siempre un disco de diamante afilado.
- Los discos de diamante pueden volverse romos si se utiliza una presión de avance errónea o al cortar materiales como por ejemplo hormigón muy armado.

El trabajo con un disco de diamante romo comporta recalentamiento, lo que puede causar que se desprendan segmentos de diamante.

- Los discos de diamante están compuestos por un armazón de acero provisto de segmentos que contienen diamantes industriales.
- Es ventajoso emplear los discos de diamante para todo tipo de albañilería, hormigón y otros materiales compuestos.
- Al utilizar un disco de diamante, procure que gire en el sentido indicado por la flecha marcada en el disco.



Corte húmedo



PRECAUCIÓN: No utilice equipo de aspiración con el sistema húmedo.

- Los discos de diamante para corte húmedo deben utilizarse con el sistema húmedo.
- El agua enfría el disco y aumenta la vida útil del mismo, al tiempo que reduce la formación de polvo.
- Al efectuar un corte húmedo, asegúrese de recoger las aguas residuales de forma segura.

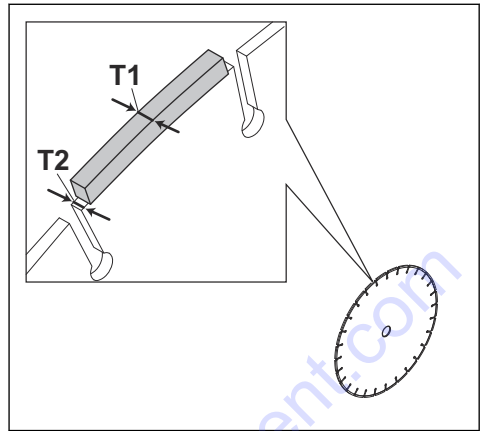
Corte seco

- Saque el disco de la ranura de corte cada 30-60 segundos y déjelo girar en el aire durante 10 segundos para que se enfríe.
- Utilice un equipo de aspiración si es posible.

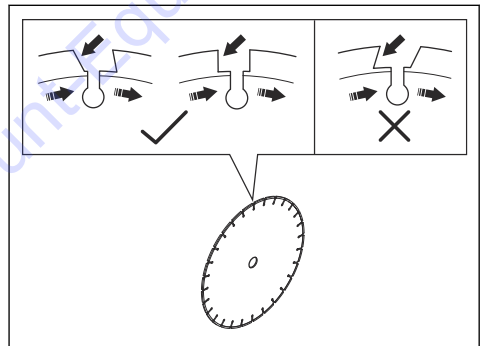
Disco de diamante - requisitos



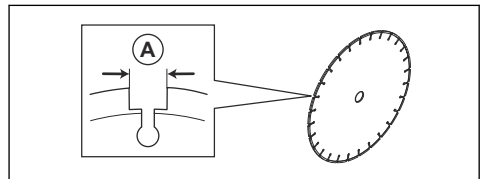
ADVERTENCIA: Asegúrese de que el segmento de diamante (T1) es más ancho que el disco (T2). La finalidad de esta comprobación es evitar un atasco en la ranura de corte y una reculada.



PRECAUCIÓN: No utilice discos de diamante con ángulos de inclinación positivos.



PRECAUCIÓN: No utilice discos de diamante con una distancia entre segmentos superior a 10 mm (A).



PRECAUCIÓN: No utilice discos de diamante con un grosor superior al máximo recomendado, consulte la sección *Datos técnicos* en la página 97.



PRECAUCIÓN: Algunas situaciones de corte o discos gastados pueden provocar un mayor desgaste en el lateral de los segmentos. Cambie el disco antes de que se desgaste.

Comprobación del eje de husillo y las arandelas de brida

Compruebe las arandelas de brida y el eje de husillo al cambiar el disco.



PRECAUCIÓN: Utilice solamente arandelas de brida suministradas por Husqvarna con un diámetro mínimo de 60 mm (2,4 in).

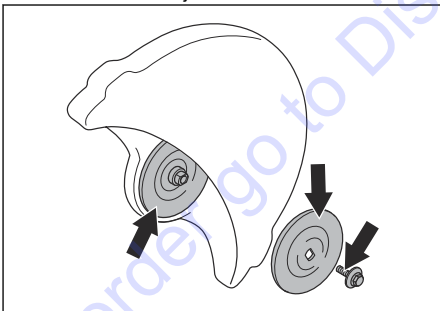


PRECAUCIÓN: No utilice arandelas de brida dañadas, defectuosas o sucias.



PRECAUCIÓN: No utilice arandelas de brida torcidas, picadas, golpeadas o sucias.

- Compruebe que las roscas del eje de husillo no estén dañadas.
- Compruebe que las superficies del disco y de las arandelas de brida están intactas, que tengan las dimensiones adecuadas, estén limpias y se ajusten correctamente en el eje de husillo.

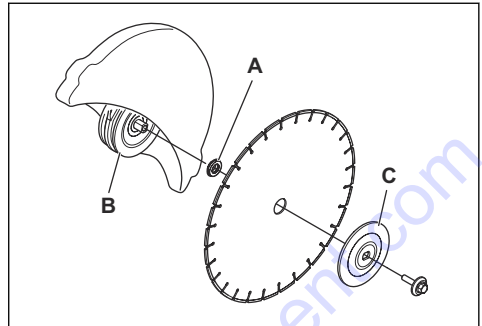


Comprobación del buje del mandril

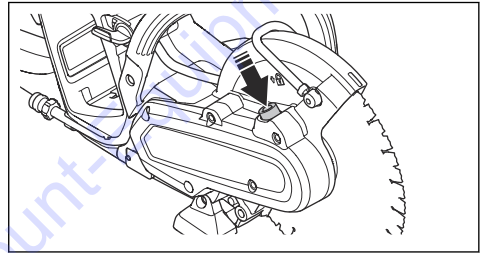
- Utilice solamente bujes de mandril Husqvarna.
- Asegúrese de que el buje de mandril tiene las dimensiones correctas para el disco de corte. Las dimensiones correctas se encuentran estampadas en el disco de corte.

Para instalar el disco de corte

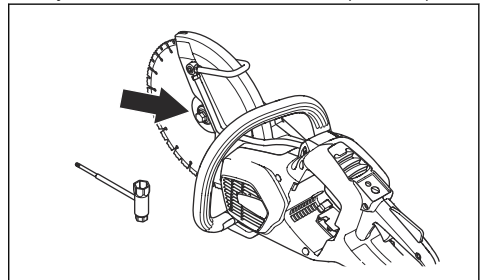
1. El disco de corte se sitúa en el buje (A) entre la arandela de brida interior (B) y la arandela de brida (C). La arandela de brida se gira para fijarse al eje.



2. Bloquee el eje.



3. Apriete el perno. El par de apriete del perno que sujeta el disco de corte es de 30 Nm (18,5 ft-lb).



Para examinar el disco y su protección



ADVERTENCIA: Un disco de corte dañado puede ocasionar lesiones.

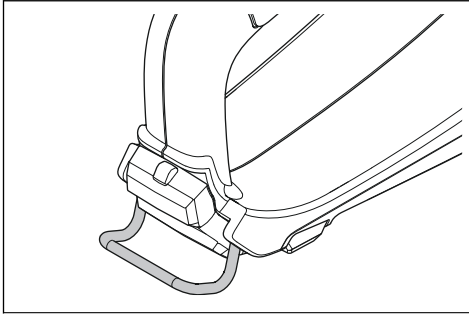
1. Asegúrese de que el disco de corte esté montado correctamente y que no esté dañado.
2. Asegúrese de que la protección del disco no presente grietas ni desperfectos.
3. Sustituya el disco si está dañado. Consulte el apartado *Para instalar el disco de corte en la página 86*

Ojal de la cuerda

El producto tiene un ojal de cuerda. El ojal de la cuerda se puede utilizar para subir y bajar el producto.

Enganche una correa válida al ojal de la cuerda, que le servirá para subir y bajar.

El ojal de la cuerda se puede utilizar para fijar el producto a un objeto sólido a fin de evitar que se caiga y provoque daños a las personas o al equipo.

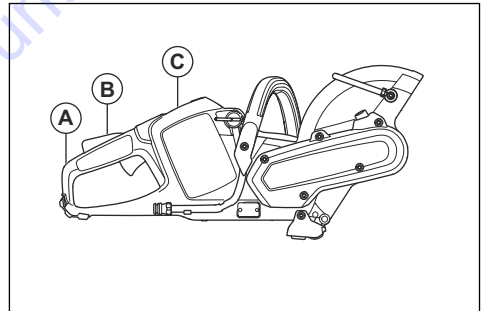


Funcionamiento

Prueba de funcionamiento antes de utilizar el producto

1. Realice una comprobación de la protección de la mano derecha trasera (A) para asegurarse de que no esté dañada.
2. Realice una comprobación del bloqueo del gatillo de alimentación (B) para asegurarse de que funcione correctamente y no esté dañado.
3. Revise el teclado (C) para asegurarse de que funciona correctamente.
4. Realice una comprobación para asegurarse de que todas las piezas y protecciones estén correctamente conectadas y en perfectas condiciones, y que no falte ninguna.
5. Cargue la batería y asegúrese de que está bien conectada al producto.

6. Asegúrese de que la cortadora se detiene al soltar el gatillo de alimentación.



Para conectar el cargador de baterías

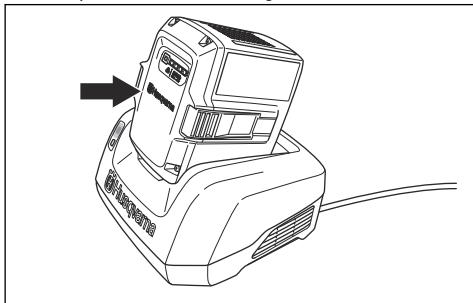
1. Conecte el cargador a la tensión y la frecuencia indicadas en la placa de características.
2. Conecte el enchufe a una toma de corriente con toma a tierra. El LED del cargador de batería parpadea de color verde una vez.

Nota: La batería no se carga si su temperatura es superior a 50 °C/122 °F. En ese caso, el cargador enfriará la batería antes de cargarla.

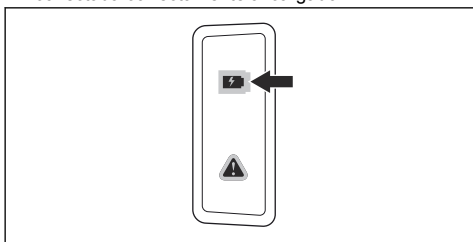
Conexión de la batería al cargador

Nota: Cargue la batería si es la primera vez que la utiliza. Una batería nueva solo tiene una carga del 30 %.

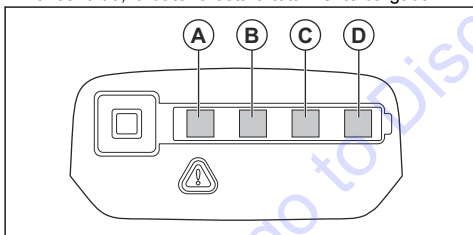
1. Asegúrese de que la batería está seca.
2. Coloque la batería en el cargador.



3. Asegúrese de que se enciende la luz de carga verde en el cargador. Eso significa que la batería está conectada correctamente al cargador.



4. Cuando todos los LED de la batería se hayan encendido, la batería estará totalmente cargada.

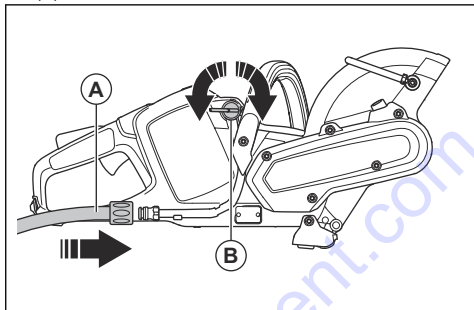


5. Para desconectar el cargador de batería de la toma de corriente, tire del enchufe. No tire del cable.
6. Retire la batería del cargador.

Nota: Consulte los manuales de la batería y del cargador para obtener más información.

Para conectar el suministro de agua refrigerante

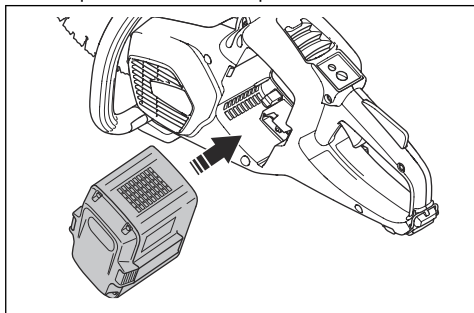
1. Conecte la manguera de agua al suministro de agua (A).



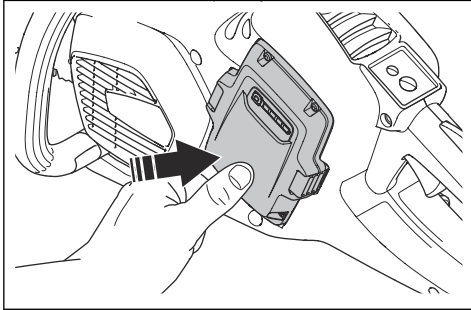
2. Gire el grifo (B) para abrir o cerrar el paso de agua.
3. Compruebe si hay fugas en la conexión del agua o en la manguera.
4. Asegúrese de que la presión del agua no supere la presión máxima permitida; consulte la sección *Datos técnicos*.

Arranque del producto.

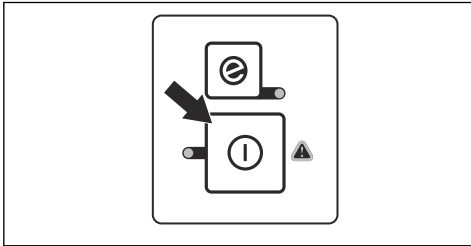
1. Realice una comprobación del gatillo de alimentación y del bloqueo de dicho gatillo. Consulte *Comprobación del bloqueo del gatillo de alimentación en la página 93*.
2. Coloque la batería en el soporte.



- Presione la parte inferior de la batería hasta que oiga un clic. Si no puede insertar la batería en el soporte con facilidad, no se habrá acoplado correctamente.



- Mantenga pulsado el botón de arranque/parada hasta que la luz LED verde se encienda.

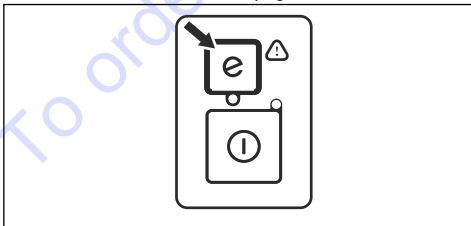


Para usar la función SavE

Este producto cuenta con una función de ahorro de energía: SavE. La función SavE reduce la velocidad del disco y prolonga al máximo la autonomía de la batería.

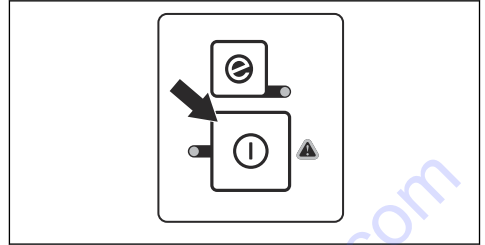
Nota: La función SavE no reduce la capacidad de corte del producto.

- Pulse el botón SavE del teclado.
- Asegúrese de que el LED verde se enciende.
- Pulse de nuevo el botón SavE para desactivar la función. El LED verde se apagará.

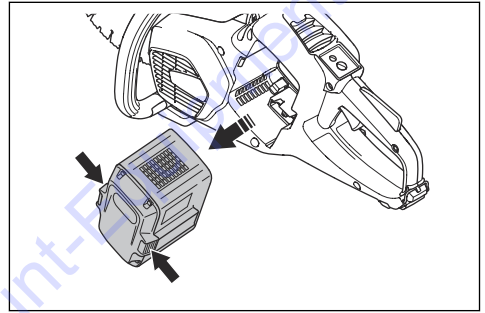


Para detener el producto

- Mantenga pulsado el botón de arranque/parada del teclado hasta que la luz LED verde se apague.



- Presione los botones de desenganche de la batería y retire la batería de su soporte.



ADVERTENCIA: Retire la batería cuando no esté usando el producto o no pueda estar atento a él. Esto ayudará a evitar un arranque accidental.

Técnica básica de trabajo



ADVERTENCIA: No desplace la cortadora hacia un lado. Esto puede impedir el movimiento libre del disco y hacer que se rompa, pudiendo provocar una lesión.



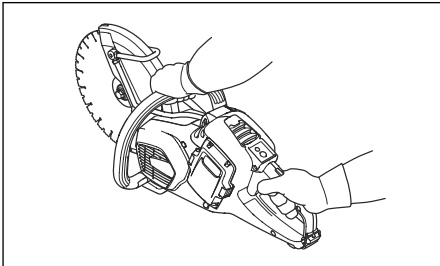
ADVERTENCIA: No utilice el lateral del disco. El disco puede dañarse y romperse, pudiendo ocasionar lesiones. Utilice solamente el borde cortante.



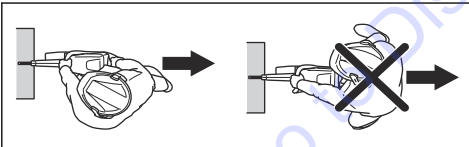
ADVERTENCIA: No utilice un disco de diamante para cortar material de plástico. El calor que se genera puede fundir el plástico. El plástico fundido puede adherirse al disco de corte y causar una reculada.

- El producto está fabricado para discos de diamante de alta velocidad aprobados para cortadoras manuales.

- El producto está diseñado para efectuar cortes en azulejos, hormigón ligero y piedra. Utilícelo solamente para este tipo de actividad.
- Asegúrese de que el disco de corte no muestre desperfectos y de que esté correctamente fijado; consulte *Discos abrasivos en la página 84* y *Para instalar el disco de corte en la página 86*.
- Asegúrese de utilizar el disco de corte adecuado para el tipo de actividad, consulte *Discos de corte para cortadoras manuales de alta velocidad en la página 83*.
- No corte material de amianto.
- Sujete siempre la cortadora con las dos manos. Sujete siempre el producto firmemente con los pulgares y el resto de dedos alrededor de los mangos. Sujete siempre el mango trasero con la mano derecha y el mango delantero con la mano izquierda.

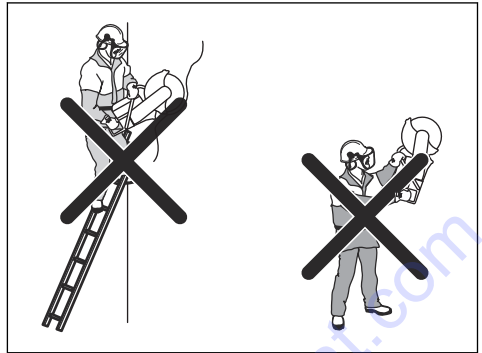


- Colóquese siempre en paralelo al disco de corte. No se coloque en posición lineal detrás del disco de corte. Si se produce una reculada, la cortadora se desplaza en el plano del disco de corte.

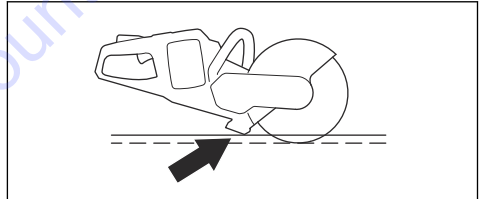


- Manténgase a una distancia segura del disco de corte cuando el motor esté en funcionamiento.
- Asegúrese de encontrarse en una posición estable mientras realiza la actividad.
- Mantenga una distancia prudencial con respecto al objeto que está cortando.
- No trabaje por encima de los hombros. Utilice una plataforma o un andamio si el corte que se dispone a realizar está por encima de la altura de los hombros. No se estire demasiado.

- No trabaje subido a una escalera.

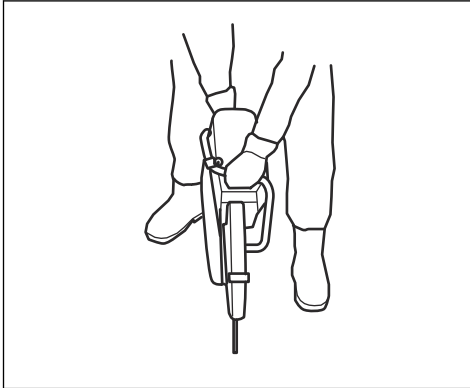


- Asegúrese de que el disco de corte está libre al poner en marcha el motor.
- Vigile siempre el producto cuando el motor esté en funcionamiento.
- No mueva el producto cuando el disco de corte esté girando. El producto tiene un retardador eléctrico para reducir el tiempo de parada del disco.
- Asegúrese de que el apoyo de suelo delantero esté a ras con la pieza de trabajo de la parte posterior. La protección del disco recoge el rocío y el polvo y los aleja del operador.

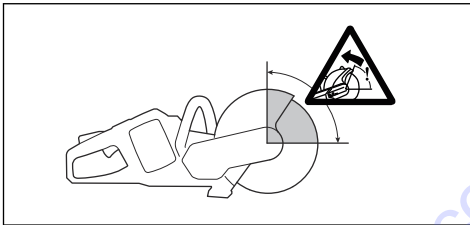


- Corte con la aceleración máxima. Mantenga toda la velocidad de rotación hasta que la operación de corte haya finalizado.
- Empuje el disco de corte ligeramente contra el objeto que está cortando. No haga fuerza.

- Alinee el disco de corte con el corte.



- Mueva el disco de corte lentamente adelante y atrás para disminuir el área entre el disco de corte y el material. De esta forma disminuye la temperatura del disco de corte.



- No use el sector de riesgo de reculada del disco para cortar, consulte *Reculadas en la página 91*.

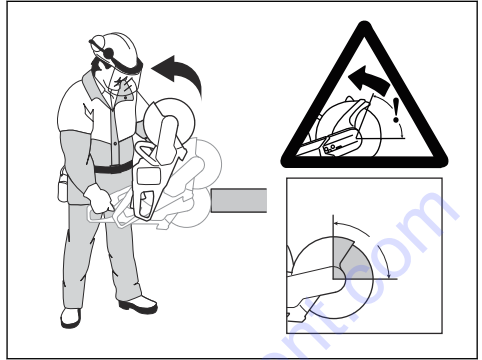
Reculadas



ADVERTENCIA: Las reculadas son repentinas y pueden resultar muy peligrosas. El producto puede moverse hacia arriba y hacia atrás en la dirección del operador en un movimiento giratorio. Una reculada podría causar lesiones físicas o incluso mortales. Cerciérese de que comprende los efectos de las reculadas y cómo evitarlas antes de utilizar el producto.

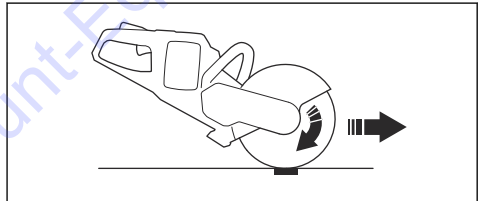
Una reculada se produce cuando el disco se atasca en el sector de riesgo de reculada. Por lo general, no son

peligrosas, pero una reculada fuerte puede causar lesiones graves o la muerte.



Fuerza reactiva

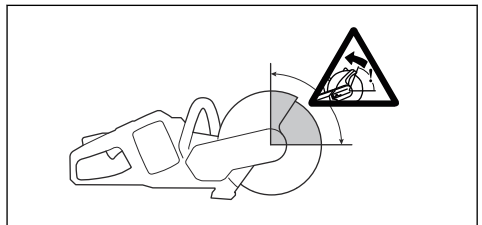
- La fuerza reactiva tira del producto en el sentido opuesto a la dirección del movimiento del disco. La mayoría de las veces, esta fuerza es leve. Si el disco se atasca, la potencia de la fuerza reactiva puede causar una reculada.



- No incline el producto cuando el equipo de corte gire. Las fuerzas centrífugas pueden reducir el movimiento.

Sector de riesgo de reculada

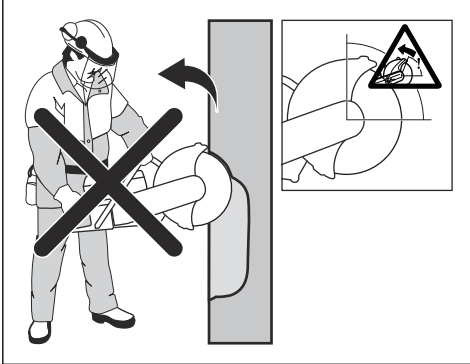
- No corte con el sector de riesgo de reculada del disco de corte. Si el disco se atasca en el sector de riesgo de reculada, la fuerza reactiva gira el producto hacia arriba y hacia atrás. Puede golpear al operador y provocar lesiones o la muerte.



Reculada ascendente,

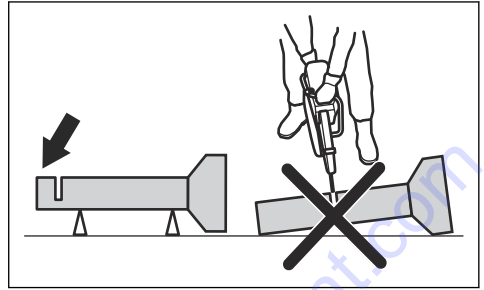
- No use el sector de riesgo de reculada. Cuando el sector de riesgo de reculada se utiliza para cortar, la fuerza reactiva desplaza el disco hacia la parte

superior del corte. Use la parte inferior del disco para evitar las reculadas ascendentes.

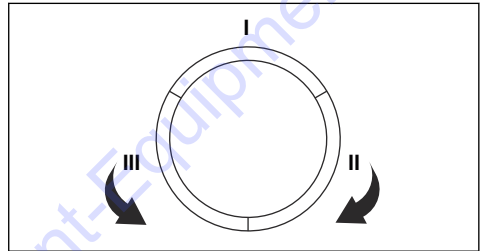


zanja. Si no cuenta con un apoyo adecuado, el disco podría atascarse.

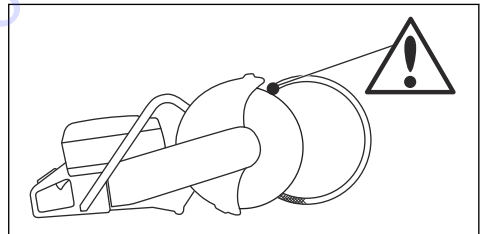
1. Compruebe que el tubo no se mueve durante el corte.



2. Corte con la sección "I".



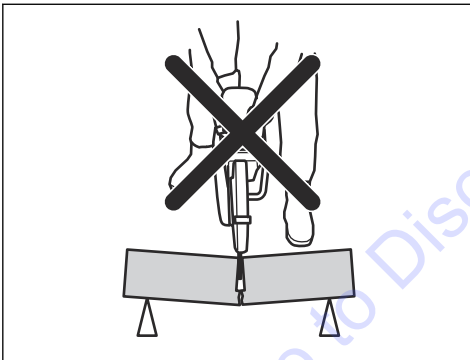
3. Asegúrese de que el corte se abre para evitar atascos.



4. Diríjase a la sección II y corte desde la sección I hasta la parte inferior de la tubería.
5. Diríjase a la sección III y corte la parte restante de la tubería.
6. Asegúrese de que la tubería esté correctamente colocada. El extremo de la tubería debe moverse hacia abajo durante el corte.

Reculada por atasco

- Un disco se atasca cuando el corte se cierra y detiene el giro del disco. Si el disco se atasca, la potencia de la fuerza reactiva puede causar una reculada.



- Asegúrese de que la pieza de trabajo conserve el corte abierto durante la operación de corte. Calcule el posible movimiento de la pieza de trabajo durante la última fase de la operación de corte. Asegúrese de que el corte se abra durante la operación de corte. Un corte que se cierra puede provocar una reculada por atasco.

Para cortar tubos



ADVERTENCIA: Si el disco se atasca en el sector de riesgo de reculada, provocará una reculada.

Tenga cuidado al efectuar cortes en tubos. El tubo debe mantenerse en su lugar correctamente y el corte debe permanecer siempre abierto. Si no es así, el disco puede atascarse. Tenga especial cuidado al cortar un tubo con un extremo acampanado o una tubería en una

Para evitar atascos

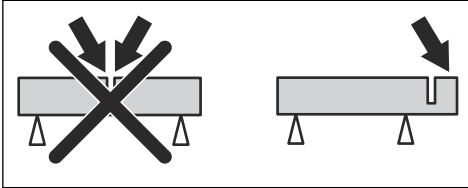


ADVERTENCIA: No deje que el corte se cierre mientras lleva a cabo una operación de corte. Un corte que se cierra puede provocar un atasco, lo que a su vez puede ocasionar una reculada o daños en el disco de corte.



ADVERTENCIA: Tenga cuidado cuando el disco de corte se coloque en un corte que ya existía.

- Asegúrese de que la pieza de trabajo no pueda moverse durante una operación de corte.
- Asegúrese de que la pieza de trabajo conserve el corte abierto durante la operación de corte.
- Calcule el posible movimiento de la pieza de trabajo durante la última fase de la operación de corte.
- Asegúrese de que el corte se abre durante la operación de corte.



Para controlar el polvo

- El producto posee un kit hidráulico de descarga suave. Utilice el corte húmedo siempre que sea posible. Consulte las instrucciones que figuran en *Para conectar el suministro de agua refrigerante en la página 88*. El flujo correcto difiere según el tipo de tarea. Si la manguera de agua se sale de la fuente de alimentación, la presión del agua suministrada puede ser demasiado alta. Consulte *Datos técnicos en la página 97* para conocer la presión del agua recomendada.
- Ajuste el caudal de agua con la válvula.

Mantenimiento

Introducción



ADVERTENCIA: Asegúrese de leer y comprender el capítulo sobre seguridad antes de realizar tareas de mantenimiento en el producto.



ADVERTENCIA: Retire la batería antes de realizar tareas de mantenimiento en el producto.

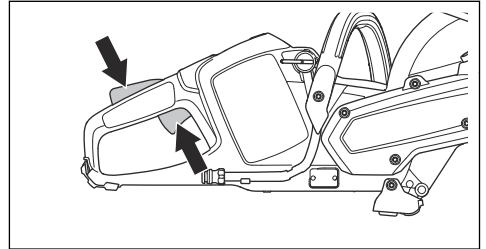


ADVERTENCIA: Si no realiza el mantenimiento correctamente, la vida útil del producto disminuirá y aumentará el riesgo de accidentes. Todos los trabajos de mantenimiento y/o reparación deben encomendarse a un profesional. Póngase en contacto con su distribuidor para obtener más información.

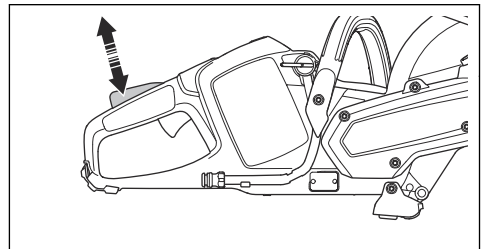
Mantenimiento y comprobaciones de los dispositivos de seguridad del producto

Comprobación del bloqueo del gatillo de alimentación

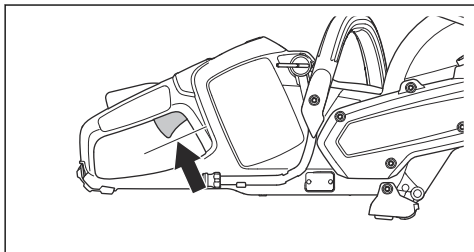
1. Compruebe que el gatillo de alimentación y el bloqueo de dicho gatillo se mueven sin problemas y que el muelle de retorno funciona correctamente.



2. Presione el bloqueo del gatillo de alimentación y asegúrese de que vuelve a su posición inicial al soltarlo.



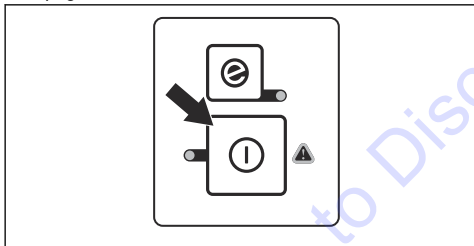
- Asegúrese de que el gatillo de alimentación se bloquea en la posición de ralentí cuando el bloqueo se suelta.



- Ponga en marcha el producto y acelere al máximo.
- Suelte el gatillo de alimentación y asegúrese de que el disco de corte se detiene. Si el disco de corte gira cuando el gatillo de alimentación está en posición de ralentí, póngase en contacto con su distribuidor.

Comprobación del teclado

- Arranque el producto. Consulte el apartado *Comprobación del bloqueo del gatillo de alimentación en la página 93*
- Vuelva a pulsar el botón de arranque/parada.
- Asegúrese de que el producto se detiene cuando mantenga pulsado el botón. El LED verde se apagará.



Para limpiar la batería y el cargador de la batería

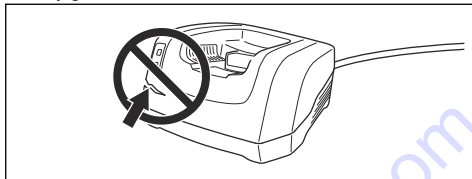


PRECAUCIÓN: No limpie la batería o el cargador con agua.

- Asegúrese de que batería y cargador estén limpios y secos antes de colocar la batería en el cargador.
- Limpie los bornes de la batería con aire comprimido o con un paño suave y seco.
- Limpie las superficies de la batería y el cargador con un paño suave y seco.

Comprobación del cargador de baterías

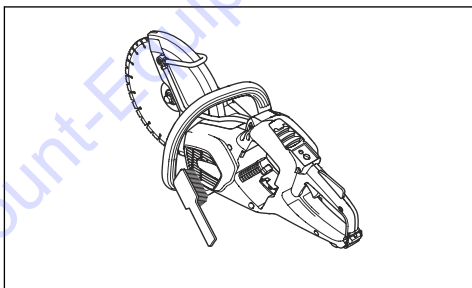
- Asegúrese de que el cargador de baterías y el cable de alimentación no estén dañados. Compruebe si hay grietas u otros defectos.



Para limpiar el sistema de refrigeración

El producto dispone de un sistema de refrigeración para mantener su temperatura lo más baja posible.

El sistema de refrigeración incluye una toma de aire en el lado izquierdo del producto y un ventilador en el motor.



- Limpie el sistema de refrigeración con un cepillo una vez a la semana o con más frecuencia si es necesario.
- Asegúrese de que el sistema de refrigeración no esté dañado ni obstruido.



PRECAUCIÓN: Un sistema de refrigeración sucio u obstruido puede dar lugar a que el producto se caliente demasiado.

Programa de mantenimiento



ADVERTENCIA: Extraiga la batería antes de realizar tareas de mantenimiento.

A continuación incluimos una lista con los pasos de mantenimiento que hay que efectuar en el producto.

Mantenimiento	Antes del uso	Semanal	Mensual
Inspeccione los componentes externos del producto.	X		

Mantenimiento	Antes del uso	Semanal	Mensual
Por seguridad, asegúrese de que el gatillo de alimentación y el bloqueo de dicho gatillo funcionan correctamente.	X		
Compruebe el disco de corte. Compruebe si hay grietas y asegúrese de que el disco de corte no presente un desgaste anómalo. Sustitúyala si es necesario.	X		
Limpie carcasa del ventilador del producto.	X		
Asegúrese de que los tornillos y las tuercas están bien apretados.	X		
Asegúrese de que el teclado funcione correctamente y no esté dañado.	X		
Realice una comprobación de las conexiones entre la batería y el producto. Realice una comprobación de la conexión entre la batería y el cargador de baterías.			X
Aplique cuidadosamente aire comprimido en el producto y la batería.			X

Resolución de problemas

Teclado

Problema	Causa	Solución
Indicador de advertencia parpadeando.	Desviación de la temperatura.	Deje que el producto se enfríe.
	Sobrecarga. El equipo de corte está atascado.	Limpie el equipo de corte.
	Se han pulsado a la vez el gatillo de alimentación y el botón de arranque.	Suelte el gatillo de alimentación.
LED verde parpadeando.	Tensión de la batería baja.	Cargue la batería.
El indicador de advertencia está encendido.	Servicio.	Acuda a su distribuidor.

Batería

Problema	Causa	Solución
Indicador de advertencia parpadeando.	La batería no está cargada.	Cargue la batería.
	Desviación de la temperatura.	Utilice la batería en un entorno donde la temperatura se encuentre comprendida entre -10 °C (14 °F) y 40 °C (104 °F).
	Tensión demasiado alta.	Compruebe que la tensión de la batería sea la misma que la que figura en la placa de características del producto. Retire la batería del cargador.

Problema	Causa	Solución
El indicador de advertencia está encendido.	La diferencia entre las celdas de la batería es demasiado grande (1 V).	Acuda a su distribuidor.

Cargador de baterías

Problema	Causa	Solución
Indicador de advertencia parpadeando.	Desviación de la temperatura.	Utilice la batería en un entorno donde la temperatura se encuentre comprendida entre 5 °C (41 °F) y 40 °C (104 °F).
El indicador de advertencia está encendido.		Acuda a su distribuidor.

Transporte, almacenamiento y eliminación

Transporte y almacenamiento

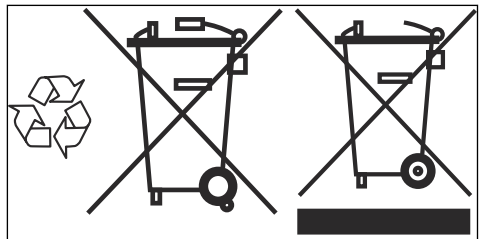
- Las baterías de iones de litio incluidas están sujetas a los requisitos de la normativa sobre mercancías peligrosas.
- Siga el requisito especial indicado en el paquete y en las etiquetas para el transporte comercial, incluso por terceros y agentes de transporte.
- Hable con alguien con formación especial en materiales peligrosos antes de enviar el producto. Respete todas las normativas nacionales.
- Cubra con cinta los contactos abiertos cuando ponga la batería en un paquete. Embale bien la batería en el paquete para evitar que se mueva.
- Extraiga la batería si va a guardar o transportar el producto.
- Coloque la batería y el cargador en un lugar seco y protegido de la humedad y las heladas.
- No almacene la batería en lugares donde pueda generarse electricidad estática. No guarde la batería en una caja metálica.
- Guarde la batería a temperatura entre 5 °C (41 °F) y 25 °C (77 °F) y protegida de la luz solar directa.
- Guarde el cargador de baterías a temperatura entre 5 °C (41 °F) y 45 °C (113 °F) y protegido de la luz solar directa.
- Cargar la batería entre el 30 % y el 50 % antes de guardarla durante periodos de tiempo largos.
- Guarde el cargador de la batería en un espacio cerrado y seco.
- Cuando guarde la batería, manténgala alejada del cargador. No permita que los niños ni otras personas no autorizadas toquen el equipo. Guarde el equipo en un lugar que pueda cerrarse con llave.

- Limpie el producto y realice un mantenimiento completo antes de guardarlo durante un periodo de tiempo prolongado.
- Utilice la protección de transporte del producto para evitar lesiones o daños en el producto durante el transporte y almacenamiento.
- Fije el producto firmemente durante el transporte.

desecho de la batería, el cargador y el producto

El siguiente símbolo significa que el producto no puede desecharse con los residuos domésticos. Reciclélo en un centro de reciclaje para equipos eléctricos y electrónicos. Esto ayudará a evitar dañar el medioambiente y las personas.

Consulte a las autoridades locales, el servicio de recogida de residuos domésticos o a su distribuidor para obtener más información.



Nota: El símbolo aparece en el producto o el paquete del producto.

Datos técnicos

Datos técnicos

Husqvarna K 535i				
Tensión			36 V	
Peso en kg (lb)			3,5 (7,7)	
Diámetro del disco, mm (pulg)			230 (9)	
Grosor de disco máx., mm (pulg)	Discos abrasivos		3,0 (0,1)	
	Discos de diamante		1,8 (0,07)	
Velocidad nominal de la unidad			5940 r/min	
Refrigeración por agua				
Refrigeración del disco con agua			Sí	
Boquilla de conexión			Tipo "Gardena"	
Presión del agua recomendada, bar (PSI)			0,5 - 6 (7,3 - 87)	
Presión del agua máxima, bar (PSI)			6 (87)	
	Niveles de vibración, a_{hveq} ¹		Emisiones sonoras ²	
	Parte delantera izquierda	Parte trasera derecha	LpA	LwA
	m/s ²	m/s ²	dB(A)	dB(A)
BLi200	1,9	2,3		
BLi300	2.1	2.5	100,5	111,5
¹ El valor de vibración indicado se ha medido según la norma EN 60745-2-22 y puede utilizarse para comparar herramientas. El valor total de vibración indicado también puede utilizarse como valoración preliminar de la exposición.				
² Las emisiones sonoras se miden según la norma EN 60745-2-22.				
<ul style="list-style-type: none"> • La incertidumbre del nivel de potencia acústica ponderada en A_{KpA} es de 3 dB(A). • La incertidumbre del nivel de presión acústica ponderada en A_{KpA} es de 3 dB(A). 				

Accesorios

Baterías homologadas para el producto

Batería	BLi200	BLi300
Tipo	Iones de litio	Iones de litio
Capacidad de la batería, Ah	5,2	9,4

Batería	BLi200	BLi300
Tensión nominal, V	36	36
Peso, kg/lb	1,3/2,9	1,9/4,2

Cargadores de baterías homologados para el producto

Cargador de baterías	QC330
Tensión de red, V	100-240
Frecuencia, Hz	50-60
Potencia, W	330

Sommario

Introduzione.....	100	Ricerca guasti.....	121
Sicurezza.....	102	Trasporto, stoccaggio e smaltimento.....	122
Montaggio.....	109	Dati tecnici.....	123
Utilizzo.....	113	Accessori.....	123
Manutenzione.....	119	Dichiarazione di conformità CE.....	125

Introduzione

Descrizione del prodotto

Il modello Husqvarna K 535i è una troncatrice portatile. Il prodotto è alimentato a batteria.

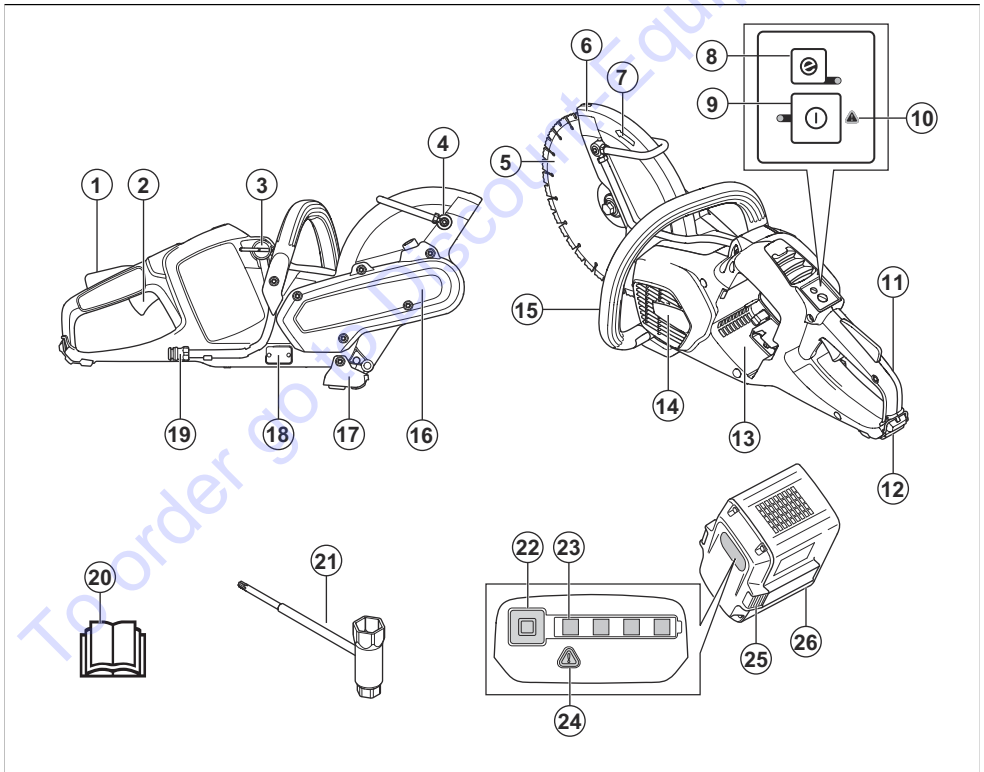
Il lavoro è in costante evoluzione per aumentare sicurezza ed efficienza durante le attività. Rivolgersi al centro di assistenza per maggiori informazioni.

Uso previsto

Questo prodotto viene utilizzato per tagliare piastrelle, lastre da giardino e cemento leggero.

Nota: I regolamenti nazionali possono imporre limiti all'uso del prodotto.

Panoramica del prodotto



1. Fermo della leva di comando
2. Leva comando
3. Valvola dell'acqua

4. Ugello dell'acqua
5. Disco di taglio
6. Carter copridisco

7. Rotazione disco
8. Pulsante SavE
9. Pulsante di avvio e spegnimento
10. Spia di avvertenza
11. Impugnatura posteriore con protezione della mano destra
12. Supporto posteriore con occhiello
13. Vano batteria
14. Alloggiamento della ventola
15. Impugnatura anteriore
16. Carter copri cinghia
17. Supporto anteriore
18. Piastrina modello
19. Raccordo dell'acqua con filtro
20. Manuale operatore
21. Chiave universale
22. Pulsante, stato della batteria
23. Stato della batteria
24. Spia di avvertenza
25. Pulsante per il rilascio della batteria
26. Batteria (non inclusa)

Simboli riportati sul prodotto



Rischio di lesioni gravi o letali per l'operatore o per terzi. Prestare attenzione e utilizzare il prodotto correttamente.



Leggere attentamente il Manuale dell'operatore e accertarsi di averne compreso il contenuto.



Indossare elmetto protettivo, cuffie, protezioni per le vie respiratorie e per gli occhi omologati.



Il presente prodotto è conforme alle direttive CE vigenti.



I fumi derivanti dal taglio possono causare lesioni se ispirati. Utilizzare una protezione per le vie respiratorie omologata. Evitare di respirare i fumi di scarico. Accertarsi che ci sia un sufficiente flusso di aria.



Le scintille che possono sprigionarsi dal disco di taglio possono provocare incendi in presenza di materiale infiammabile come benzina, legno, indumenti ed erba secca.



I contraccolpi possono essere improvvisi, veloci e possono causare lesioni. Prima di usare il prodotto, leggere le istruzioni per l'uso e accertarsi di averne compreso il contenuto.



Accertarsi che il disco non sia usurato o danneggiato.



Non utilizzare dischi circolari per legno.



Marchio ecologico. Il prodotto o l'imballaggio del prodotto non è un rifiuto domestico. Riciclarlo in un centro di smaltimento per apparecchiature elettriche ed elettroniche.

	Senso di rotazione del disco
aaaaassxxxx	La targhetta dati di funzionamento mostra il numero di serie. yyyy è l'anno di produzione, ww è la settimana di produzione.
∅	Diametro esterno massimo del disco.
c.c.	Corrente continua
n	Velocità nominale

Nota: I restanti simboli/decalcomanie sul prodotto riguardano particolari requisiti necessari per ottenere la certificazione in alcuni mercati.

Simboli sulla batteria e/o sul caricabatterie



Riciclare questo prodotto in una stazione di riciclaggio per apparecchiature elettriche ed elettroniche. (Solo per l'Europa)



Trasformatore a prova di guasto.



Utilizzare e conservare il caricabatteria solo in ambienti interni.



Doppio isolamento.

Responsabilità del prodotto

Come indicato nelle leggi vigenti in materia di responsabilità obbligatoria sul prodotto, non siamo

responsabili per eventuali danni causati dal nostro prodotto se:

- Il prodotto viene riparato in modo errato.
- Il prodotto viene riparato con parti che non provengono o non sono omologate dal produttore.
- Il prodotto contiene un accessorio che non proviene o non è omologato dal produttore.
- Il prodotto non viene riparato presso un centro di assistenza autorizzato o presso un'autorità competente.

Sicurezza

Definizioni di sicurezza

Le avvertenze, le precauzioni e le note sono utilizzate per evidenziare le parti importanti del manuale.



AVVERTENZA: Utilizzato se è presente un rischio di lesioni o morte dell'operatore o di passanti nel caso in cui le istruzioni del manuale non vengano rispettate.



ATTENZIONE: Utilizzato se è presente un rischio di danni al prodotto, ad altri materiali oppure alla zona adiacente nel caso in cui le istruzioni del manuale non vengano rispettate.

Nota: Utilizzato per fornire ulteriori informazioni necessarie in una determinata situazione.

Avvertenze generali di sicurezza dell'attrezzo elettrico



AVVERTENZA: Leggere attentamente tutte le avvertenze di sicurezza e tutte le istruzioni. La mancata osservanza delle avvertenze e delle istruzioni può dare luogo a scosse elettriche, incendi e/o gravi lesioni.

Nota: Conservare tutte le avvertenze e le istruzioni per la futura consultazione. Nelle avvertenze, il termine "attrezzo elettrico" si riferisce al vostro attrezzo elettrico alimentato tramite rete elettrica (con cavo) o a batteria (senza fili).

Sicurezza dell'area di lavoro

- **Tenere l'area di lavoro pulita e ben illuminata.** Le zone in disordine o male illuminate possono provocare incidenti.
- **Non mettere in funzione attrezzi elettrici in ambienti esplosivi, quali quelli che comportano la presenza di liquidi infiammabili, gas o polvere.** Gli attrezzi elettrici generano scintille che possono incendiare polveri o fumi.
- **Tenere lontani bambini e spettatori mentre si fa funzionare un attrezzo elettrico.** Le distrazioni possono causare la perdita del controllo.

Sicurezza elettrica

- **Le spine degli attrezzi elettrici devono essere adatte alle prese. Evitare assolutamente di apportare modifiche alla spina. Non utilizzare adattatori per spine con attrezzi elettrici dotati di messa a terra.** Le spine non modificate e le prese adatte allo scopo riducono il rischio di scosse elettriche.
- **Evitare il contatto del corpo con superfici messe a massa o collegate a terra, come condutture, radiatori, stufe e frigoriferi.** In casi simili si verificherebbe un aumento del rischio di scosse elettriche.
- **Non esporre gli attrezzi elettrici a pioggia o umidità.** L'ingresso di acqua in un elettroutensile fa aumentare il rischio di scosse elettriche.
- **Non rovinare il cavo elettrico.** Non usare mai il filo per trasportare, tirare o staccare dalla presa l'elettroutensile. Non avvicinare il cavo a fonti di calore, olio, spigoli taglienti e neppure a parti della macchina che siano in movimento. I cavi danneggiati o attorcigliati fanno aumentare il rischio di scosse elettriche.
- **Per il funzionamento di un elettroutensile all'aperto, usare una prolunga adatta per l'uso all'aperto.** L'uso di un cavo di prolunga omologato per l'impiego all'aperto riduce il rischio di scosse elettriche.
- **Se l'impiego dell'elettroutensile in ambienti umidi è inevitabile, utilizzare un interruttore differenziale (salvavita) per proteggere il circuito di alimentazione.**

TO PURCHASE THIS PRODUCT PLEASE CONTACT US



**Equipment Financing and
Extended Warranties Available**



**Discount-Equipment.com is your online resource for
commercial and industrial quality parts and equipment sales.**

561-964-4949

visit us on line @ www.discount-equipment.com

Select an option below to find your Equipment

Search by Manufacturer

Search by Product Type

Request a Quote

We sell worldwide for the brands: Genie, Terex, JLG, MultiQuip, Mikasa, Essick, Whiteman, Mayco, Toro Stone, Diamond Products, Generac Magnum, Airman, Haulotte, Barreto, Power Blanket, Nifty Lift, Atlas Copco, Chicago Pneumatic, Allmand, Miller Curber, Skyjack, Lull, Skytrak, Tsurumi, Husquvarna Target, Stow, Wacker, Sakai, Mi-T-M, Sullair, Basic, Dynapac, MBW, Weber, Bartell, Bennar Newman, Haulotte, Ditch Runner, Menegotti, Morrison, Contec, Buddy, Crown, Edco, Wyco, Bomag, Laymor, EZ Trench, Bil-Jax, F.S. Curtis, Gehl Pavers, Heli, Honda, ICS/PowerGrit, IHI, Partner, Imer, Clipper, MMD, Koshin, Rice, CH&E, General Equipment, Amida, Coleman, NAC, Gradall, Square Shooter, Kent, Stanley, Tamco, Toku, Hatz, Kohler, Robin, Wisconsin, Northrock, Oztec, Toker TK, Rol-Air, APT, Wylie, Ingersoll Rand / Doosan, Innovatech, Con X, Ammann, Mecalac, Makinex, Smith Surface Prep, Small Line, Wanco, Yanmar

L'utilizzo di un salvavita riduce il rischio di scosse elettriche.



ATTENZIONE: Non lavare la macchina con acqua pressurizzata, poiché potrebbero verificarsi infiltrazioni nell'impianto elettrico con conseguenti danni o cortocircuiti.

Sicurezza personale

- **Nell'uso di un elettrotensile, restare allerta, fare attenzione a ciò che si sta facendo e usare il buon senso. Non usare un elettrotensile quando si è stanchi o sotto l'effetto di droga, alcol o farmaci.** Un attimo di disattenzione può causare lesioni personali gravi.
- **Usare sempre abbigliamento protettivo personale. Indossare sempre una protezione per gli occhi.** L'uso in condizioni adeguate dell'abbigliamento protettivo (come mascherina protettiva, calzature di sicurezza antiscivolo, elmetto o cuffie protettive) riduce le lesioni personali.
- **Prevenire la messa in funzione accidentale. Accertarsi che l'interruttore sia in posizione OFF prima di effettuare il collegamento alla presa dell'alimentazione e/o alla batteria, di sollevare o trasportare l'attrezzo.** Il trasporto di elettrotensili tenendo le dita sull'interruttore o su attrezzi che producono corrente e il cui interruttore è acceso, può provocare incidenti.
- **Rimuovere qualunque chiave o strumento di regolazione prima di accendere l'elettrotensile.** Qualunque chiave o attrezzo lasciato attaccato a parti rotanti può causare danni alla persona.
- **Operare in sicurezza. Operare sempre facendo attenzione a posizionare bene i piedi e a mantenere l'equilibrio.** Ciò permette un migliore controllo dell'elettrotensile in situazioni inattese.
- **Vestirsi in maniera adeguata. Non indossare abiti troppo ampi o gioielli. Tenere capelli, indumenti e guanti lontani dalle parti in movimento.** Lasciati liberi, indumenti, gioielli o capelli lunghi possono restare impigliati nelle parti in movimento.
- **Qualora vengano forniti strumenti per il collegamento a strutture di estrazione e raccolta della polvere, accertarsi che queste siano collegate e usate in modo adeguato.** La raccolta della polvere può ridurre i rischi legati alla presenza di questo agente.
- **La produzione di vibrazioni durante l'utilizzo del dispositivo elettrico può essere differente dal valore totale dichiarato, a seconda delle modalità di impiego del dispositivo.** Gli operatori devono identificare le misure di sicurezza necessarie per la protezione in base a una stima dell'esposizione in condizioni pratiche di utilizzo (tenendo in considerazione le diverse fasi di funzionamento, vale a dire i momenti in cui il dispositivo è spento, quando è in regime di minimo nonché quando è innestato il comando).

- **Non avvicinarsi al disco quando il motore è acceso.**

Uso e cura dell'elettrotensile

- **Non forzare l'elettrotensile. Usare l'elettrotensile adatto all'applicazione.** L'elettrotensile giusto farà il lavoro meglio e in modo più sicuro se usato alla velocità per la quale è stato progettato.
- **Non usare l'elettrotensile se non è possibile accenderlo o spegnerlo tramite interruttore.** Qualunque elettrotensile che non possa essere controllato tramite interruttore è pericoloso e deve essere riparato.
- **Staccare la spina dalla presa dell'alimentazione e/o la batteria prima di procedere a qualunque regolazione, cambio di accessori o alla conservazione degli attrezzi.** Tali misure di sicurezza preventive riducono il rischio di avvio accidentale dell'attrezzo elettrico.
- **Riporre gli attrezzi elettrici fuori dalla portata dei bambini e non permettere l'uso dei suddetti a persone che non hanno familiarità con tali attrezzi e con queste istruzioni.** Nelle mani di persone inesperte, gli attrezzi elettrici sono pericolosi.
- **Manutenzione degli attrezzi elettrici.** Controllare che non si verifichi un errato allineamento o collegamento delle parti in movimento, la rottura di pezzi e qualsivoglia altra condizione che possa inficiare il funzionamento dell'attrezzo elettrico. Qualora danneggiato, riparare l'elettrotensile prima dell'uso. Molti incidenti sono causati da attrezzi elettrici con una manutenzione inadeguata.
- **Mantenere affilati e puliti gli strumenti da taglio.** Con una manutenzione adeguata, gli strumenti da taglio con bordi affilati risultano più facili da controllare e meno pericolosi.
- **Usare l'elettrotensile, gli accessori, le punte ecc. come indicato dalle presenti istruzioni, tenendo conto delle condizioni di lavoro e della prestazione da effettuare.** L'impiego di attrezzi elettrici per usi diversi da quelli previsti può dar luogo a situazioni di pericolo.
- **In nessun caso si deve modificare la versione originale della macchina senza l'autorizzazione del produttore.** Utilizzare sempre ricambi originali. Le modifiche e/o gli accessori non autorizzati possono causare lesioni gravi o mortali all'utilizzatore o a terzi.
- **Accertarsi che non vi siano tubature o cavi elettrici nell'area di lavoro o nel materiale di taglio.**
- **Controllare sempre e contrassegnare i punti dove sono disposte le tubazioni del gas.** Il taglio vicino alle tubazioni del gas comporta sempre pericoli. Accertarsi di non produrre scintille durante il taglio considerando il pericolo di esplosione. Rimanere concentrati e incentrati sull'attività da svolgere. Eventuali distrazioni possono causare lesioni personali gravi o mortali.

Utilizzo e manutenzione della batteria

- **Ricaricare l'attrezzo esclusivamente utilizzando il caricabatterie specificato dal produttore.** L'utilizzo di un caricabatterie indicato per un altro tipo di batteria potrebbe provocare rischio di incendio.
- **Utilizzare i dispositivi esclusivamente con le batterie specificate.** L'utilizzo di altri pacchi batteria potrebbe provocare lesioni e incendi.
- **Se la batteria non viene utilizzata, tenerla lontana da altri oggetti metallici, come graffette, monete, chiavi, chiodi, viti o altri piccoli oggetti metallici che potrebbero consentire il collegamento tra i terminali.** Provocare il cortocircuito dei terminali della batteria potrebbe causare ustioni o provocare un incendio.
- **In condizioni non ottimali, la batteria potrebbe perdere liquido; evitare il contatto. Qualora il contatto avvenisse, sciacquare la parte con acqua. Se il liquido entra negli occhi, chiamare immediatamente un medico.** Il liquido fuoriuscito dalla batteria potrebbe causare irritazioni o ustioni.

Assistenza

- **Far riparare l'elettrotensile solo ed esclusivamente da personale specializzato utilizzando solo pezzi di ricambio originali.** Questo garantirà che sia salvaguardata la sicurezza dell'elettrotensile.

Avviso di sicurezza sulla troncatrice

- **La protezione integrata deve essere fissata saldamente all'elettrotensile e posizionata in modo da garantire la massima sicurezza affinché una porzione minima del disco sia rivolta verso l'operatore.** Assicurarsi che nessuno si trovi nell'area di rotazione del disco. La protezione aiuta a proteggere l'operatore da frammenti di disco rotti e dal contatto accidentale con il disco.
 - **Utilizzare esclusivamente dischi di taglio diamantati o rinforzati per elettrotensile.** Solo perché un accessorio può essere collegato all'elettrotensile, ciò non ne garantisce il funzionamento sicuro.
 - **La velocità nominale dell'accessorio deve essere almeno pari alla velocità massima indicata sull'elettrotensile.** Gli accessori che girano più velocemente rispetto alla velocità nominale possono rompersi e staccarsi.
 - **I dischi devono essere utilizzati solo per le applicazioni consigliate. Ad esempio, non effettuare la molatura con la parte laterale del disco di taglio.** I dischi di taglio abrasivi sono progettati per la smerigliatura periferica; le forze laterali applicate a questi dischi possono causarne la rottura.
 - **Utilizzare sempre flange dei dischi non danneggiate del diametro corretto per il disco selezionato.** Flange adatte sorreggono i dischi, riducendo così la possibilità di rottura.
 - **Non utilizzare dischi rinforzati usurati di elettrotensili più grandi.** I dischi destinati a utensili elettrici più grandi non sono adatti per l'elevata
- **velocità a un utensile più piccolo, per cui possono rompersi.**
 - **Il diametro esterno e lo spessore dell'accessorio devono rispettare la capacità nominale dell'elettrotensile.** Gli accessori di dimensioni errate non possono essere adeguatamente protetti o controllati.
 - **Le dimensioni dell'alberino dei dischi e delle flange devono adattarsi correttamente all'alberino dell'elettrotensile.** I dischi e le flange con fori dell'alberino che non corrispondono alla bulloneria di montaggio dell'elettrotensile saranno sbilanciati, vibreranno eccessivamente e possono provocare la perdita di controllo.
 - **Non utilizzare dischi danneggiati. Prima dell'uso, controllare ogni volta i dischi di taglio per verificare la presenza di scheggiature e incrinature. Se si dovesse far cadere l'elettrotensile o il disco, verificare la presenza di danni o installare un disco integro. Dopo l'ispezione e l'installazione del disco, è necessario che l'utente e le persone presenti si allontanino dal disco in rotazione, facendo funzionare l'elettrotensile alla velocità massima senza carico per 1 minuto.** I dischi danneggiati normalmente si rompono durante il periodo di test.
 - **Usare sempre abbigliamento protettivo. A seconda dell'applicazione, utilizzare la visiera di protezione o gli occhiali di sicurezza. Se necessario, indossare una mascherina protettiva, cuffie protettive, guanti e un grembiule da officina in grado di bloccare piccoli frammenti del pezzo o frammenti abrasivi.** La protezione per gli occhi deve essere in grado di bloccare i detriti scagliati durante le varie operazioni. La mascherina protettiva o il respiratore devono poter filtrare le particelle generate dall'utilizzo dell'utensile. L'esposizione prolungata a rumori ad alta intensità può causare la perdita dell'udito.
 - **Assicurarsi che le persone si mantengano a una distanza di sicurezza dall'area di lavoro. Chiunque entri nell'area di lavoro deve indossare dispositivi di protezione individuale (DPI).** Frammenti di pezzo o un disco rotto possono staccarsi e causare lesioni anche oltre l'area di lavoro.
 - **Afferrare l'elettrotensile solo per le superfici di presa isolate quando si effettua un intervento in cui l'accessorio di taglio potrebbe entrare in contatto con cavi nascosti.** Se un accessorio di taglio entra in contatto con un cavo sotto tensione potrebbe eccitare eventuali parti di metallo esposte dell'elettrotensile e provocare una scossa elettrica all'operatore.
 - **Non posare mai l'elettrotensile al suolo fino a quando l'accessorio non si è completamente arrestato.** Il disco in rotazione può incagliarsi nel suolo e provocare la perdita di controllo dell'elettrotensile.
 - **Non utilizzare l'elettrotensile mentre lo si trasporta al lato del corpo.** A causa di un contatto accidentale, l'accessorio in rotazione potrebbe impigliarsi nei vestiti e ferire l'operatore.

- **Pulire regolarmente le prese d'aria dell'elettrotensile.** La ventola del motore aspira la polvere all'interno dell'alloggiamento e un accumulo eccessivo di polvere metallica può causare rischi elettrici.
- **Non utilizzare l'elettrotensile in prossimità di materiali infiammabili.** Delle scintille potrebbero incendiare questi materiali.

Contraccolpo e relative avvertenze

- **Un contraccolpo è causato da un disco in rotazione che si impiglia in un oggetto.** In circostanze simili avviene un rapido arresto della rotazione del disco che, a sua volta, spinge l'elettrotensile in modo incontrollato nella direzione opposta a quella di rotazione del disco nel punto di contatto.
- **Ad esempio, se un disco abrasivo rimane impigliato nel pezzo, il bordo del disco nel punto di contatto può penetrare nella superficie del materiale causando il distacco del disco.** Il disco può staccarsi verso dall'operatore o allontanarsi dalla sua posizione, a seconda della direzione di movimento del disco nel punto di contatto. I dischi abrasivi possono inoltre rompersi in queste circostanze.
- **Il contraccolpo è il risultato dell'uso errato dell'elettrotensile o di procedure o condizioni di funzionamento errate e può essere evitato osservando le opportune precauzioni riportate di seguito.**
- **Mantenere una salda presa sull'elettrotensile e posizionare il corpo e il braccio in modo da resistere alle forze di contraccolpo.** Utilizzare sempre la leva ausiliaria, se in dotazione, per controllare al meglio un eventuale contraccolpo o la reazione di coppia durante l'avviamento. L'operatore può controllare le reazioni di coppia o le forze di contraccolpo, se osserva le opportune precauzioni.
- **Non posizionare mai la mano vicino all'accessorio in rotazione.** L'accessorio potrebbe ferire la mano a causa del contraccolpo.
- **Non posizionare il corpo in linea con il disco in rotazione.** Il contraccolpo far avanzare l'utensile nella direzione opposta al movimento del disco nel punto di inceppamento.
- **Prestare particolare attenzione quando si lavora su angoli, bordi affilati, ecc.** Evitare di far rimbalzare e inceppare l'accessorio. Angoli, bordi taglienti o rimbalzi tendono a inceppare l'accessorio in rotazione e a causare la perdita di controllo o possibili contraccolpi.
- **Non fissare una catena, una lama per intagliare il legno, un disco diamantato a una distanza periferica superiore a 10 mm o una lama per sfrascatura dentata.** Tali lame creano frequenti contraccolpi e perdita di controllo.
- **Non "bloccare" il disco o applicare una pressione eccessiva.** Non tentare di eseguire un taglio eccessivamente profondo. La sollecitazione eccessiva del disco aumenta il carico e la possibilità di torsioni o inceppamenti del disco nel taglio,

nonché la possibilità di contraccolpi o rottura del disco.

- **Quando il disco si inceppa o se si interrompe un taglio per qualsiasi motivo, spegnere l'elettrotensile e tenerlo fermo finché il disco non si ferma completamente.** Non rimuovere il disco dal taglio mentre è in movimento, altrimenti potrebbe verificarsi un contraccolpo. Ricercare la causa dell'inceppamento del disco e intraprendere le dovute azioni correttive.
- **Non riavviare il taglio sul pezzo.** Lasciare che il disco raggiunga la velocità massima e riprendere il taglio con cautela. Il disco potrebbe incepparsi, spostarsi verso l'alto o causare un contraccolpo se l'elettrotensile viene riavviato nel pezzo.
- **Supportare i pannelli o qualsiasi pezzo di grandi dimensioni per ridurre al minimo il rischio di inceppamento e contraccolpo del disco.** I pezzi di grandi dimensioni tendono a piegarsi sotto il proprio peso. I supporti devono essere posizionati sotto il pezzo vicino alla linea di taglio e al bordo del pezzo su entrambi i lati del disco.
- **Prestare molta attenzione quando si effettua un "taglio a fessura" in pareti esistenti o altri punti ciechi.** Il disco sporgente può tagliare tubi dell'acqua, del gas, cavi elettrici oppure oggetti che possono causare contraccolpi.

Istruzioni di sicurezza generali



AVVERTENZA: Leggere le seguenti avvertenze prima di utilizzare il prodotto.

- Questo prodotto è un utensile pericoloso e può causare lesioni gravi se non viene utilizzato con cautela o se impiegato in modo errato. È di estrema importanza leggere e comprendere il contenuto di questo manuale.
- Non modificare il prodotto senza l'autorizzazione del produttore. Non utilizzare un prodotto che sembra essere stato modificato da altri e utilizzare sempre gli accessori originali. Le modifiche non approvate dal produttore possono provocare lesioni gravi o letali all'operatore o a altre persone.
- Tenere pulito il prodotto. I cartelli e le decalcomanie devono essere interamente visibili.
- Durante il funzionamento, questo prodotto genera un campo elettromagnetico. Tale campo può interferire, in alcuni casi, con persone portatrici di impianti medici attivi o passivi. Per ridurre il rischio di lesioni gravi o letali, raccomandiamo alle persone portatrici di impianti medici di consultare il proprio medico e il produttore dell'impianto prima di utilizzare questo prodotto.

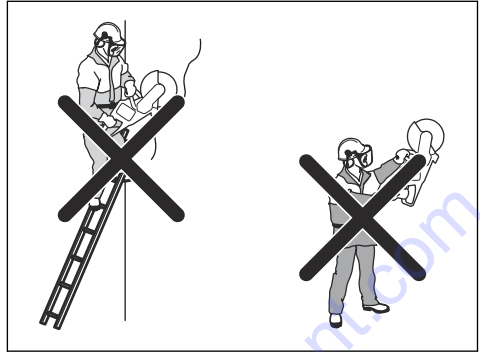
Istruzioni di sicurezza per l'utilizzo



AVVERTENZA: Leggere attentamente tutte le avvertenze e le istruzioni di sicurezza. La mancata osservanza delle avvertenze e delle istruzioni può dare luogo a scosse elettriche, incendi e/o gravi lesioni.

- Non tagliare l'amianto.
- Durante il taglio a secco, accertarsi di rimuovere la polvere in modo sicuro.
- Le informazioni contenute nel presente manuale non sostituiscono le conoscenze e l'esperienza di un professionista. Se non si è in sicurezza durante le operazioni, spegnere il prodotto. Non utilizzare il prodotto in situazioni nuove.
- Rivolgersi al centro di assistenza o Husqvarna per eventuali domande relative al funzionamento del prodotto. Saremo lieti di fornire informazioni su come utilizzare il prodotto nel modo più efficiente.
- Non utilizzare mai il prodotto, la batteria o il caricabatterie se difettosi.
- Non toccare un disco di taglio in rotazione. Ciò può causare gravi lesioni, anche letali.
- Non utilizzare il prodotto in condizioni meteorologiche sfavorevoli, ad esempio in caso di nebbia fitta, pioggia intensa, vento forte o gelo. Le cattive condizioni meteorologiche comportano rischi come la presenza di ghiaccio nel suolo.
- Non avviare un prodotto se coperchi e protezioni non sono montati correttamente.
- Osservare l'ambiente circostante. Accertarsi che non vi sia alcun rischio che persone o animali tocchino o influiscano sul vostro controllo del prodotto.
- Non lasciare che i bambini si avvicinino al prodotto o che lo usino. Il prodotto è facile da avviare. Ciò può comportare il rischio di gravi lesioni.
- Rimuovere la batteria quando non si dispone di una visuale completa del prodotto. Rimuovere la batteria se si prevede di non utilizzare il prodotto per un lungo periodo di tempo.
- È necessario assumere una posizione stabile per avere il pieno controllo del prodotto. Non utilizzare il prodotto se ci si trova sopra una scala. Non utilizzare il prodotto se non ci si trova su un terreno stabile.

- Non usare il prodotto a un'altezza superiore a quella della spalla.



- Se non si presta attenzione, il rischio di contraccolpo aumenta.



- Non utilizzare il prodotto con una sola mano. Una mano non è sufficiente per il controllo sicuro del prodotto.
- Non utilizzare il prodotto in situazioni in cui non è possibile ottenere assistenza in caso di incidente.
- Accertarsi di potersi muovere in sicurezza. Esaminare le condizioni e il terreno circostante per individuare eventuali ostacoli.
- La sovraesposizione alle vibrazioni può causare lesioni neuro-vascolari a chi soffre di disturbi circolatori. In caso di sintomi riferibili a sovraesposizione alle vibrazioni, contattare il medico. Tali sintomi possono essere torpore, perdita della sensibilità, "punture", "prurito", dolore, riduzione o perdita della forza, decolorazione della pelle o modifiche strutturali della sua superficie. Tali sintomi si riscontrano soprattutto alle mani, ai polsi e alle dita. I sintomi possono accentuarsi a temperature rigide.
- Non è possibile includere ogni possibile situazione da affrontare quando si utilizza questo prodotto. Usare la massima cautela e il buon senso.

Nota: Dopo aver utilizzato il prodotto, sollevare immediatamente le cuffie protettive dopo il taglio, in modo da poter percepire suoni ed eventuali segnali di avvertimento.

Dispositivi di protezione individuale



AVVERTENZA: Leggere attentamente tutte le avvertenze e le istruzioni di sicurezza. La mancata osservanza delle avvertenze e delle istruzioni può dare luogo a scosse elettriche, incendi e/o gravi lesioni.

- Utilizzare sempre abbigliamento protettivo personale omologato durante il funzionamento. L'abbigliamento protettivo personale non offre una completa protezione da lesioni, tuttavia diminuisce il grado delle lesioni in caso di incidente. Rivolgersi al centro di assistenza per le raccomandazioni sulle attrezzature da utilizzare.
- Gli indumenti devono essere aderenti ma non limitare i movimenti. Controllare regolarmente le condizioni dell'abbigliamento protettivo personale.
- Utilizzare un elmetto protettivo omologato.
- Utilizzare una protezione omologata delle vie respiratorie.
- Usare cuffie protettive omologate. Una lunga esposizione al rumore può comportare lesioni permanenti all'udito.
- Utilizzare occhiali protettivi o una visiera per ridurre il rischio di lesioni dovute alla polvere o alle particelle. Possono insorgere gravi lesioni, in particolare agli occhi.
- Utilizzare guanti protettivi per impieghi gravosi.
- Utilizzare stivali con calotta di acciaio e suola antiscivolo.
- Tenere sempre a portata di mano la cassetta di primo soccorso.

Dispositivi di sicurezza sul prodotto

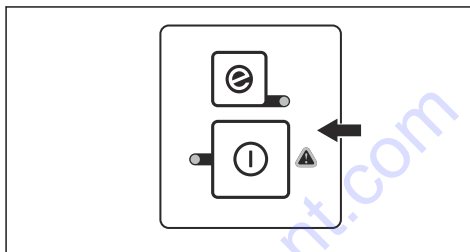


AVVERTENZA: Leggere attentamente tutte le avvertenze e le istruzioni di sicurezza. La mancata osservanza delle avvertenze e delle istruzioni può dare luogo a scosse elettriche, incendi e/o gravi lesioni.

- Non utilizzare un prodotto con componenti protettivi danneggiati. I dispositivi di sicurezza devono essere sottoposti a ispezione e regolare manutenzione. Rivolgersi al centro di assistenza per le necessarie riparazioni se l'ispezione di un dispositivo di sicurezza non viene approvata.

Tastiera

La spia lampeggia in caso di rischio di sovraccarico. La protezione dal sovraccarico arresta temporaneamente il prodotto e non è possibile utilizzare il prodotto fin quando la temperatura viene ripristinata. Se la spia indica luce fissa, rivolgersi al centro di assistenza.

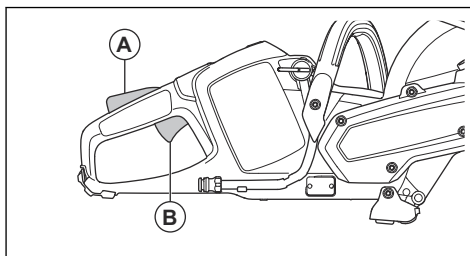


Funzione di arresto automatico

Il prodotto dispone di una funzione di arresto automatico che lo ferma se non viene utilizzato per un minuto.

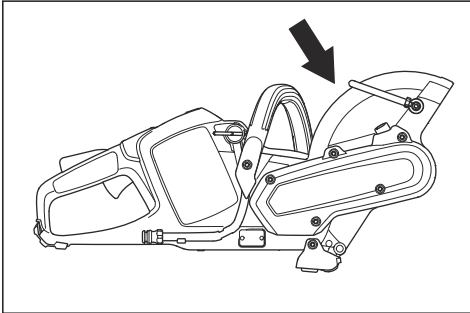
Fermo della leva di comando

Il fermo della leva di comando previene l'avviamento accidentale della leva di comando. Se si mette la mano intorno all'impugnatura e si preme il fermo della leva di comando (A), si rilascia la leva di comando (B). Rilasciando l'impugnatura, la leva di comando e il fermo della leva di comando ritornano entrambi alla posizione iniziale.



Carter copridisco

Il carter copridisco impedisce che le particelle possano ferire l'utente durante il taglio. Il carter evita che le parti si distaccino e feriscano l'utente.



- Utilizzare la batteria a temperature comprese tra -10 °C (14 °F) e 40 °C (104 °F).
- Non pulire la batteria o il caricabatterie con acqua. Fare riferimento a *Per pulire la batteria e il caricabatterie alla pagina 120*.
- Non utilizzare una batteria difettosa o danneggiata.
- Conservare le batterie lontano da oggetti metallici, come ad esempio chiodi, viti o gioielli.
- Tenere la batteria fuori dalla portata dei bambini.

Sicurezza del caricabatterie



AVVERTENZA: Leggere attentamente tutte le avvertenze e le istruzioni di sicurezza. La mancata osservanza delle avvertenze e delle istruzioni può dare luogo a scosse elettriche, incendi e/o gravi lesioni.

Sicurezza batterie



AVVERTENZA: Leggere attentamente tutte le avvertenze e le istruzioni di sicurezza. La mancata osservanza delle avvertenze e delle istruzioni può dare luogo a scosse elettriche, incendi e/o gravi lesioni.

- Utilizzare solo batterie Husqvarna BLI consigliate per il prodotto. Le batterie sono codificate mediante software.
- Utilizzare le batterie Husqvarna BLI ricaricabili come alimentazione per i soli prodotti Husqvarna in questione. Per evitare il rischio di lesioni, non utilizzare la batteria come fonte di alimentazione per altri dispositivi.
- Rischio di scosse elettriche. Non collegare i morsetti della batteria a chiavi, viti o altro tipo di metallo. Ciò può causare un corto circuito della batteria.
- Non utilizzare batterie non ricaricabili.
- Non inserire oggetti nelle feritoie di aerazione della batteria.
- Tenere la batteria lontano dalla luce del sole, dal calore o da fiamme libere. La batteria può esplodere e causare bruciature e/o ustioni chimiche.
- Tenere la batteria lontano da pioggia e umidità.
- Tenere la batteria lontano da microonde e alta pressione.
- Non tentare di smontare o rompere la batteria.
- Evitare il contatto cutaneo con l'acido della batteria. L'acido della batteria provoca lesioni alla pelle, corrosione e ustioni. In caso di contatto con gli occhi, non strofinare, ma sciacquare gli occhi con acqua abbondante per almeno 15 minuti. Se l'acido della batteria viene a contatto con la pelle, lavare la cute con abbondante acqua e sapone. Consultare un medico.
- Rischio di scosse elettriche o cortocircuiti se non si osservano le istruzioni di sicurezza.
- Non utilizzare un caricabatterie diverso da quello fornito per il prodotto. Utilizzare il caricabatterie Husqvarna QC solo per ricaricare le batterie di ricambio BLI Husqvarna.
- Non tentare di smontare il caricabatterie.
- Non utilizzare un caricabatterie difettoso o danneggiato.
- Non sollevare il caricabatterie tramite il cavo di alimentazione. Per scollegare il caricabatterie da una presa di rete, tirare la spina. Non tirare il cavo di alimentazione.
- Tenere tutti i cavi e le prolunghe lontani da acqua, olio e bordi appuntiti. Fare attenzione affinché il cavo non si incastri in porte, ostacoli od oggetti simili.
- Non utilizzare il caricabatterie in prossimità di materiali infiammabili o materiali corrosivi. Accertarsi che il caricabatterie non sia coperto. Staccare la spina del caricabatterie in caso di fumo o incendio.
- Caricare la batteria solo in luoghi chiusi, in una posizione con un buon flusso d'aria e lontano dalla luce diretta del sole. Non caricare la batteria all'aperto. Non caricare la batteria in condizioni di umidità.
- Utilizzare esclusivamente il caricabatterie a temperature comprese tra 5 °C (41 °F) e 40 °C (104 °F). Utilizzare il caricabatterie in un ambiente con adeguato flusso d'aria, asciutto e privo di polvere.
- Non inserire oggetti nelle feritoie di raffreddamento del caricabatterie.
- Non collegare i terminali del caricabatterie a oggetti metallici, poiché questo può provocare un cortocircuito del caricabatterie.
- Non caricare batterie non ricaricabili nel caricabatterie né utilizzarle nella macchina.
- Utilizzare prese di rete omologate che non siano danneggiate.

Istruzioni di sicurezza per la manutenzione



AVVERTENZA: Leggere le seguenti avvertenze prima di eseguire la manutenzione del prodotto.

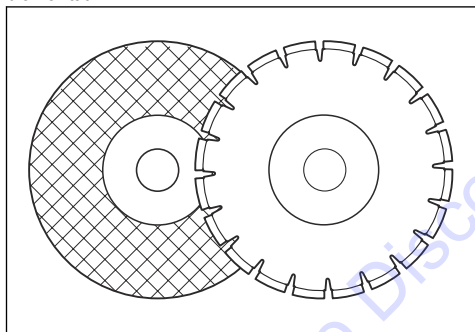
- Rimuovere la batteria prima di eseguire la manutenzione, altri controlli o montare il prodotto.
- L'operatore deve eseguire solo gli interventi di manutenzione e assistenza indicati in questo manuale operatore. Rivolgersi al Centro di assistenza di competenza per interventi di manutenzione e assistenza più importanti.

- Non pulire la batteria o il caricabatteria con acqua. Detergenti aggressivi possono causare danni alla plastica.
- Se non si esegue la manutenzione, si riduce il ciclo di vita del prodotto e aumenta il rischio di incidenti.
- È necessaria una formazione specifica per eseguire tutti gli interventi di manutenzione e lavori di riparazione, in particolare per i dispositivi di sicurezza del prodotto. Se non vengono approvati tutti i controlli descritti nel presente manuale operatore, dopo aver eseguito la manutenzione, contattare il Centro di assistenza. La nostra azienda garantisce la disponibilità di personale qualificato per le riparazioni e l'assistenza del prodotto.
- Utilizzare unicamente ricambi originali.

Montaggio

Dischi di taglio adatti

I dischi di taglio per il modello Husqvarna K 535i sono disponibili in due versioni base: dischi abrasivi e dischi diamantati.



Dischi di taglio per troncatrici portatili ad alta velocità



AVVERTENZA: Utilizzare solo dischi diamantati e abrasivi per cemento. Non utilizzare dischi con dentellature come dischi di taglio circolari per il taglio del legno o dischi con punte in carburo. Il rischio di contraccolpo aumenta e le punte in carburo possono staccarsi ed essere scagliate ad alta velocità. Ciò può provocare lesioni anche letali.



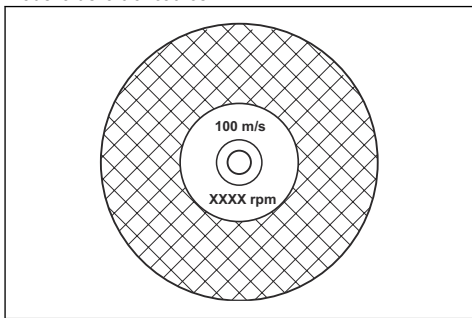
AVVERTENZA: L'uso non corretto può causare il surriscaldamento del disco. Un disco troppo caldo può causare malfunzionamenti, con conseguenti danni e lesioni.



AVVERTENZA: Non utilizzare mai un disco di taglio a velocità inferiore rispetto alla velocità massima della troncatrice. Utilizzare esclusivamente dischi di taglio conformi agli standard nazionali o regionali.

Nota: Tagliare solo i materiali approvati indicati nelle istruzioni fornite insieme al disco.

Controllare che il disco sia approvato per un numero di giri pari o superiore a quello riportato sulla piastrina modello della troncatrice.



Vibrazioni del disco



ATTENZIONE: Se si utilizza il prodotto con una forza eccessiva, il disco può surriscaldarsi, piegarsi e causare vibrazioni. Utilizzare il prodotto esercitando una forza minore. Se le vibrazioni continuano, sostituire il disco.

Dischi abrasivi



AVVERTENZA: Non utilizzare dischi abrasivi con acqua. La resistenza del disco abrasivo diminuisce in caso di esposizione all'acqua o all'umidità causando un maggiore rischio di rottura del disco.

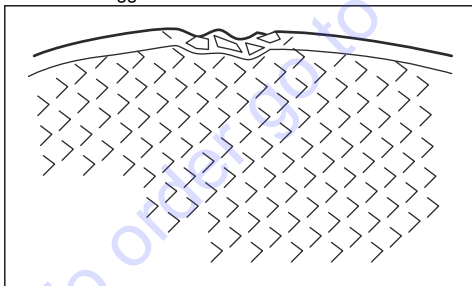


ATTENZIONE: Con l'accessorio aspiratore non è consentito il taglio con dischi abrasivi. L'utilizzo di dischi abrasivi provoca l'usura anomala dell'accessorio aspiratore.

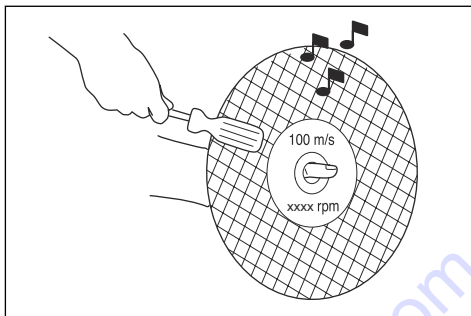


ATTENZIONE: Non utilizzare dischi abrasivi con spessore superiore a quello massimo consigliato, fare riferimento a *Dati tecnici alla pagina 123*

- Non utilizzare ruote rinforzate usurate di utensili elettrici più grandi. I dischi destinati a utensili elettrici più grandi non sono adatti per l'elevata velocità a un utensile più piccolo, per cui possono rompersi.
- Il materiale di taglio dei dischi abrasivi è rappresentato da grani abrasivi uniti da leganti organici. I dischi rinforzati sono costruiti su una base di materiale tessile o fibroso che impedisce la rottura del disco causata dalla velocità, qualora questo si lesioni.
- Le prestazioni di un disco abrasivo sono determinate dal tipo e dalle dimensioni dei granuli di materiale abrasivo, dal tipo e dalla durezza del legante impiegato.
- Accertarsi che il disco non presenti crepe o che non sia danneggiato.



- Per provare il disco abrasivo tenerlo sospeso con un dito e colpirlo leggermente servendosi di un cacciavite o simili. Se il disco non produce un suono limpido e risonante significa che è danneggiato.



- Accertarsi di utilizzare il corretto disco abrasivo sul materiale previsto.

Dischi diamantati



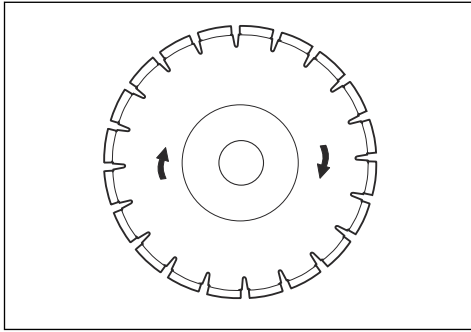
AVVERTENZA: Non utilizzare mai un disco diamantato per tagliare la plastica. Il calore prodotto durante l'operazione di taglio potrebbe sciogliere la plastica che potrebbe così incollarsi al disco di taglio e causare un contraccolpo.



AVVERTENZA: I dischi diamantati si scaldano molto durante l'uso. Il surriscaldamento del disco è il risultato di un uso improprio e che può causare la deformazione del disco, con conseguenti danni e lesioni.

Nota: Affilare il disco eseguendo tagli in materiali morbidi quali pietra arenaria o laterizi.

- Usare sempre un disco diamantato ben affilato.
- I dischi diamantati possono perdere l'affilatura se viene usata una pressione di alimentazione errata oppure durante il taglio di alcuni materiali come il cemento dotato di armatura molto consistente. Lavorare con un disco al diamante non affilato provoca surriscaldamento il che può comportare il distacco dei segmenti diamantati.
- I dischi diamantati sono costituiti da una base in acciaio dotata di segmenti contenenti diamanti industriali.
- I dischi diamantati sono ideali per tutte le opere in muratura, cemento e altri materiali composti.
- Usando un disco diamantato accertarsi che ruoti nella direzione indicata dalla freccia sul disco stesso.



Taglio a umido



ATTENZIONE: Non utilizzare l'apparecchiatura Vac con il sistema bagnato.

- I dischi diamantati per il taglio a umido devono essere utilizzati con il sistema bagnato.
- L'acqua raffredda il disco e ne aumenta la durata riducendo contemporaneamente la polvere.
- Durante il taglio a umido, accertarsi di raccogliere l'acqua di scarico in modo sicuro.

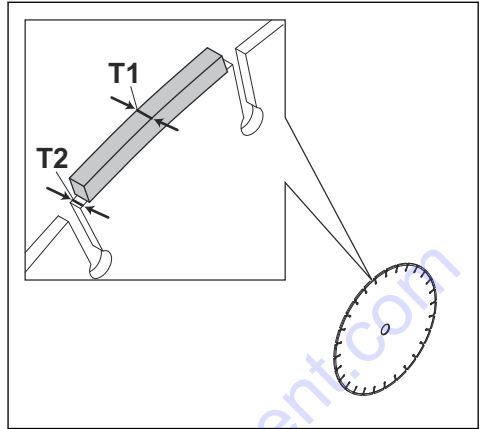
Taglio a secco

- Quando si taglia a secco è quindi consigliabile lasciar raffreddare il disco, semplicemente togliendolo dalla scanalatura ogni 30-60 secondi e lasciandolo ruotare liberamente in aria per 10 secondi.
- Se possibile, utilizzare un'apparecchiatura Vac.

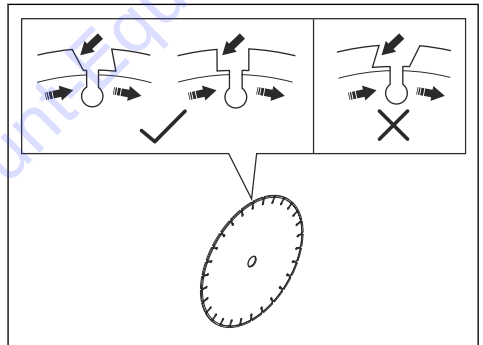
Disco diamantato - requisiti



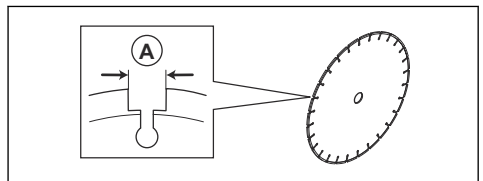
AVVERTENZA: Assicurarsi che il segmento diamantato (T1) sia più largo rispetto al disco (T2). Ciò è necessario per evitare schiacciamenti nella fessura di taglio e un possibile contraccolpo.



ATTENZIONE: Non utilizzare dischi diamantati con angoli di inclinazione positivi.



ATTENZIONE: Non utilizzare dischi diamantati con una distanza tra i segmenti maggiore di 10 mm (A).



ATTENZIONE: Non utilizzare dischi diamantati con uno spessore superiore al valore massimo consigliato, fare riferimento a *Dati tecnici alla pagina 123*.



ATTENZIONE: Alcune condizioni di taglio o dischi usurati possono causare maggiore usura sul lato dei segmenti. Sostituire il disco prima che sia usurato.

Controllo dell'alberino e delle rondelle flangiate

Esaminare le rondelle flangiate e l'alberino quando il disco viene sostituito.



ATTENZIONE: Utilizzare esclusivamente rondelle flangiate fornite da Husqvarna con diametro minimo di 60 mm/ 2,4".

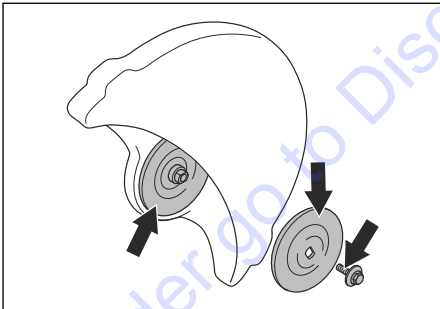


ATTENZIONE: Non usare rondelle flangiate danneggiate, usurate o sporche.



ATTENZIONE: Non usare rondelle di diverse dimensioni.

- Verificare che le filettature sull'asta alberino siano integre.
- Accertarsi che le superfici di disco e rondelle flangiate siano integre, delle corrette dimensioni, pulite e che scorrano correttamente sull'alberino.

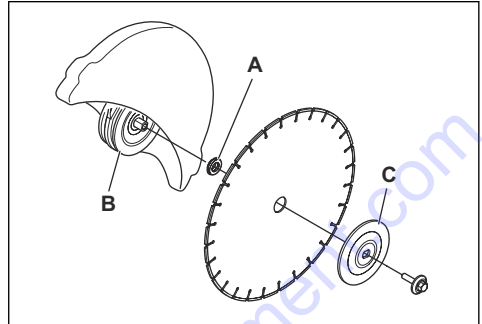


Controllo della bussola dell'albero

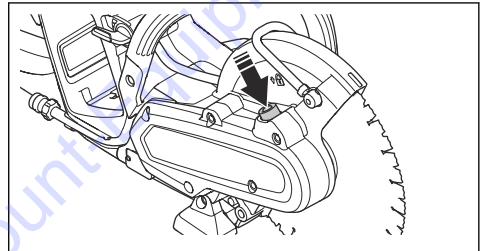
- Utilizzare solo boccole dell'alberino Husqvarna.
- Accertarsi che la bussola dell'albero abbia le dimensioni corrette per il disco di taglio. La dimensione corretta è stampata sul disco di taglio.

Fissaggio del disco di taglio

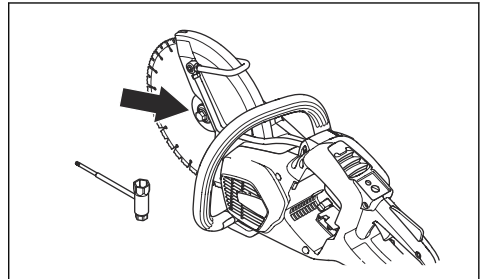
1. Il disco di taglio si trova sulla bussola (A) tra la rondella flangiata interna (B) e la rondella flangiata (C). La rondella flangiata viene ruotata per essere fissata all'asse.



2. Bloccare l'albero.



3. Serrare il bullone. La coppia di serraggio per il bullone che fissa il disco di taglio è di 30 Nm (18,5 ft-lb).



Controllo del disco e del carter



AVVERTENZA: Se il disco di taglio è danneggiato può causare lesioni.

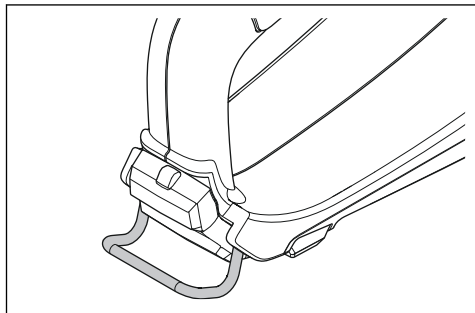
1. Accertarsi anche che il disco di taglio sia montato correttamente e non presenti danni visibili.
2. Accertarsi che il carter copridisco non presenti incrinature o danni.

3. Sostituire il carter copridisco se danneggiato. Vedere *Fissaggio del disco di taglio alla pagina 112*

Occhiello della corda

Il prodotto è dotato di un occhiello. L'occhiello può essere utilizzato per sollevare e abbassare il prodotto. Fissare una cinghia adeguata all'occhiello per il sollevamento e l'abbassamento del prodotto.

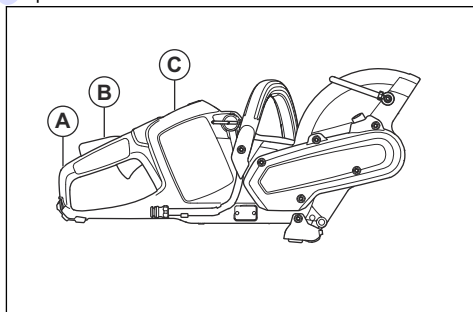
L'occhiello può essere utilizzato per fissare il prodotto a un oggetto solido per evitare che cada e ferisca persone o danneggi apparecchiature.



Utilizzo

Verifica della funzionalità della macchina prima del suo utilizzo

1. Eseguire un controllo della protezione della mano destra (A) per accertarsi che non sia danneggiata.
2. Eseguire un controllo del fermo della leva comando (B) per assicurarsi che funzioni correttamente e che non sia danneggiato.
3. Eseguire un controllo della tastiera (C) per assicurarsi che funzioni correttamente.
4. Eseguire un controllo per assicurarsi che tutte le parti e le protezioni siano fissate correttamente e non siano danneggiate o assenti.
5. Caricare la batteria e accertarsi che sia correttamente collegata al prodotto.
6. Accertarsi che la troncatrice si arresti quando si preme la leva di comando.



Per collegare il caricabatterie

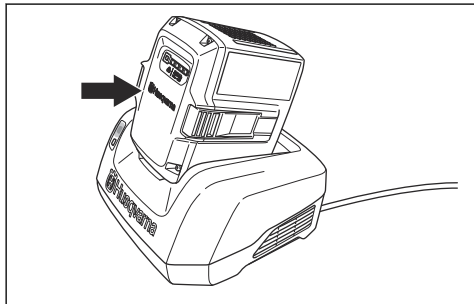
1. Collegare il caricabatterie alla tensione e alla frequenza indicate sulla targhetta dati di funzionamento.
2. Inserire la spina in una presa di corrente con messa a terra. Il LED sul caricabatterie lampeggia verde per una volta.

Nota: La batteria non si carica se la sua temperatura è superiore a 50 °C/122 °F. Se la temperatura è superiore a 50 °C/122 °F, il caricabatterie raffredda la batteria prima del caricamento.

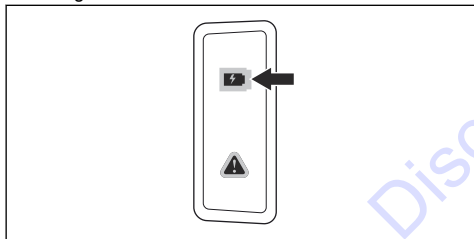
Collegamento della batteria al caricabatterie

Nota: È necessario caricare la batteria prima di utilizzarla per la prima volta. Una batteria nuova è carica solo al 30 %.

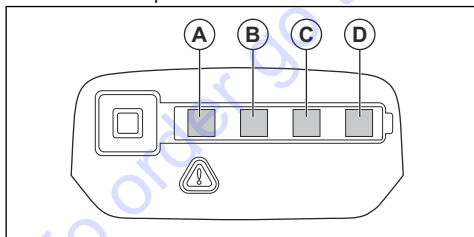
1. Verificare che la batteria sia asciutta.
2. Inserire la batteria nel caricabatterie.



3. Accertarsi che la spia di carica verde sul caricabatterie si accenda. Ciò indica che la batteria è collegata correttamente al caricabatterie.



4. Quando tutti i LED sulla batteria sono accesi, la batteria è completamente carica.

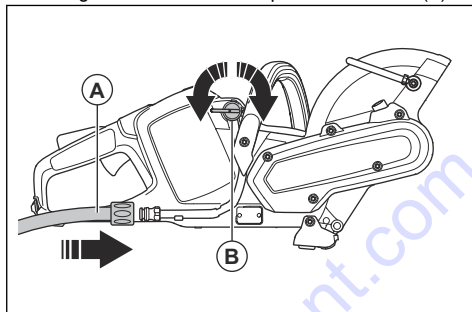


5. Per scollegare il caricabatterie dalla presa di rete, tirare la spina. Non tirare il cavo.
6. Rimuovere la batteria dal caricabatterie.

Nota: Fare riferimento ai manuali della batteria e del caricabatterie per ulteriori informazioni.

Collegamento dell'acqua di raffreddamento

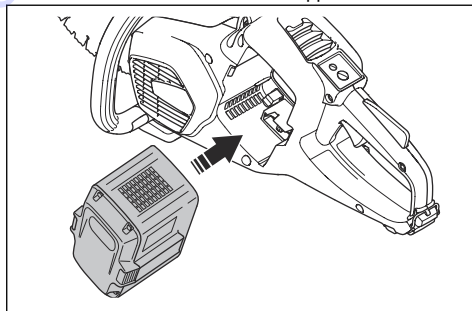
1. Collegare il flessibile dell'acqua alla rete idrica (A).



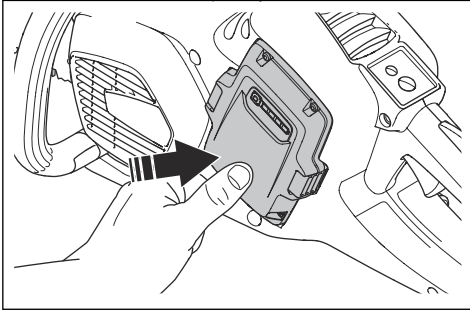
2. Ruotare il rubinetto (B) per far scorrere l'acqua o per fermarla.
3. Controllare eventuali perdite nel collegamento dell'acqua o nel tubo.
4. Accertarsi che la pressione dell'acqua non vada oltre la pressione massima consentita; fare riferimento alla sezione *Dati tecnici*.

Avviamento del prodotto

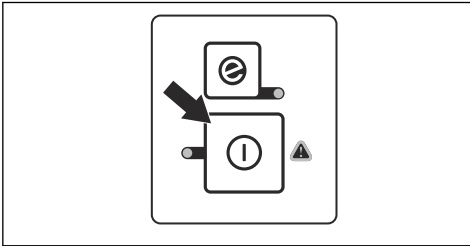
1. Effettuare un controllo della leva di comando e del fermo della leva. Fare riferimento a *Controllo del fermo della leva di comando alla pagina 119*.
2. Inserire la batteria nel relativo supporto.



3. Premere sulla parte inferiore della batteria fin quando si percepisce uno scatto. Se la batteria non si muove facilmente nel relativo supporto, non è collegata correttamente nel supporto della batteria.



4. Premere e tenere premuto il pulsante di avvio/arresto fin quando il LED verde si accende.

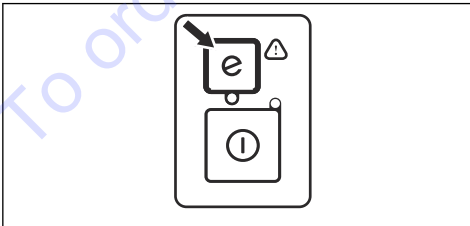


Utilizzo della funzione SavE

Questo prodotto dispone di una funzione di risparmio energetico, SavE. La funzione SavE diminuisce la velocità del disco e ottimizza il tempo di funzionamento dalla batteria.

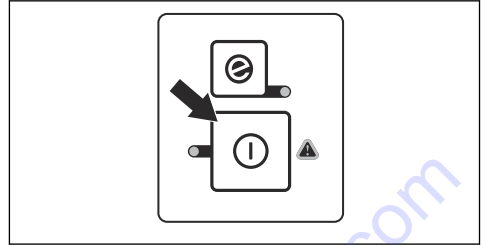
Nota: La funzione SavE non diminuisce la potenza di taglio del prodotto.

1. Premere il pulsante SavE sulla tastiera.
2. Accertarsi che il LED verde si accenda.
3. Premere nuovamente il pulsante SavE per scollegare la funzione. Il LED verde si spegne.

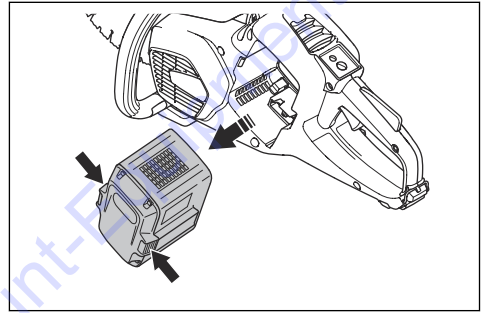


Arresto del prodotto

1. Tenere premuto il pulsante di avvio/arresto sulla tastiera fino allo spegnimento della spia LED verde.



2. Premere i pulsanti per il rilascio della batteria ed estrarre la batteria dal supporto.



AVVERTENZA: Rimuovere la batteria quando non viene utilizzata o quando non si ha sotto pieno controllo il prodotto. In tal modo si impedisce l'avviamento accidentale.

Tecniche di lavoro principali



AVVERTENZA: Non appoggiare la troncatrice su un lato. Ciò può impedire il movimento libero del disco e causarne la rottura, con conseguenti lesioni.



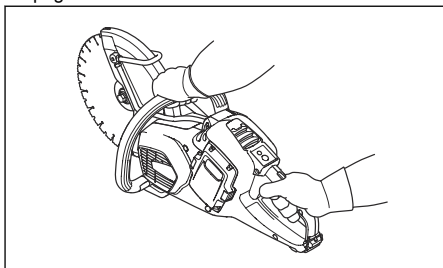
AVVERTENZA: Non usare il lato del disco. Il disco può danneggiarsi e rompersi, causando lesioni. Utilizzare solo il bordo tagliente.



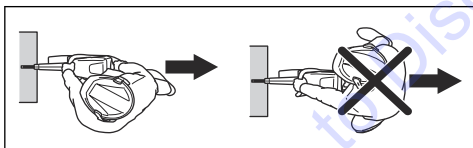
AVVERTENZA: Non utilizzare dischi diamantati per tagliare la plastica. Il calore generato può fondere la plastica. La plastica fusa può attaccarsi al disco di taglio e causare un contraccolpo.

- Il prodotto è realizzato per dischi diamantati ad alta velocità approvati per troncatrici portatili.

- Il prodotto è realizzato per tagliare piastrelle, cemento leggero e pietra. Utilizzarlo solo per questo tipo di operazioni.
- Accertarsi che il disco di taglio non mostri segni di danni e che sia fissato correttamente, fare riferimento a *Dischi abrasivi alla pagina 110* e *Fissaggio del disco di taglio alla pagina 112*.
- Accertarsi di utilizzare un disco di taglio corretto per il tipo di operazione eseguita, fare riferimento a *Dischi di taglio per troncatrici portatili ad alta velocità alla pagina 109*.
- Non tagliare materiale di amianto.
- Afferrare sempre la troncatrice con 2 mani. Tenere sempre saldamente il prodotto con i pollici e le dita attorno alle impugnature. Afferrare sempre l'impugnatura posteriore con la mano destra e l'impugnatura anteriore con la mano sinistra.

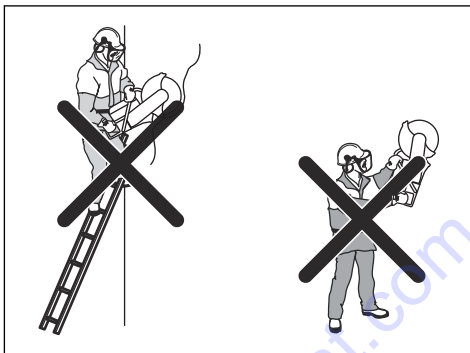


- Posizionarsi parallelamente al disco di taglio. Non posizionarsi dietro al disco di taglio. In caso di contraccolpo, la troncatrice si sposterà sul piano del disco di taglio.

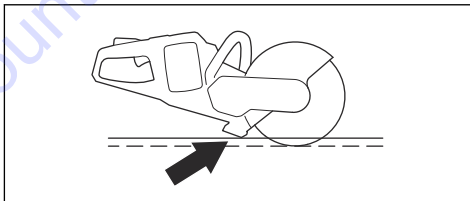


- Quando il motore è in moto, mantenere una distanza di sicurezza dal disco di taglio.
- Accertarsi di trovarsi in una posizione stabile durante il funzionamento.
- Mantenere la distanza idonea dall'oggetto che si sta tagliando.
- Non usare l'attrezzo a un'altezza superiore a quella delle spalle. Utilizzare una piattaforma o un ponteggio se occorre tagliare un oggetto al di sopra dell'altezza delle spalle. Operare in sicurezza.

- Non utilizzare il prodotto da una scala.

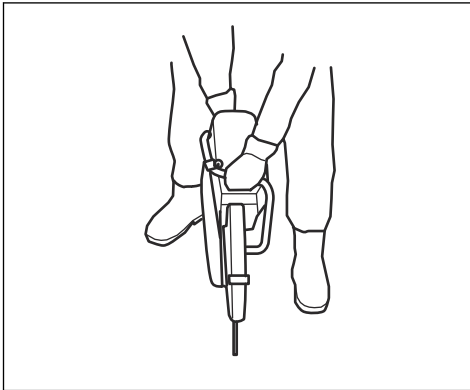


- Accertarsi che il disco di taglio possa muoversi liberamente all'avviamento del motore.
- Controllare sempre il prodotto quando il motore è in funzione.
- Non spostare il prodotto quando il disco di taglio ruota. Il prodotto è dotato di un rallentatore elettrico per ridurre il tempo di arresto del disco.
- Accertarsi che il supporto anteriore sia a filo con il pezzo in lavorazione nella parte posteriore. Il carter copridisco raccoglie gli spruzzi e la polvere allontanandoli dall'operatore.

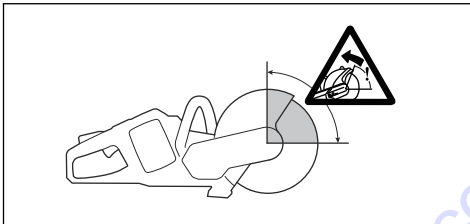


- Tagliare alla massima velocità. Mantenere la massima velocità di rotazione fino al completamento dell'operazione di taglio.
- Spingere leggermente il disco contro l'oggetto che si sta tagliando. Non applicare forza!

- Allineare il disco di taglio alla scanalatura.



- Spostare lentamente il disco di taglio in avanti e indietro per ridurre l'area tra disco e materiale. In questo modo si riduce la temperatura del disco di taglio.



- Non tagliare con il settore di contraccolpo del disco di taglio, fare riferimento a *Contraccolpo alla pagina 117*.

Contraccolpo



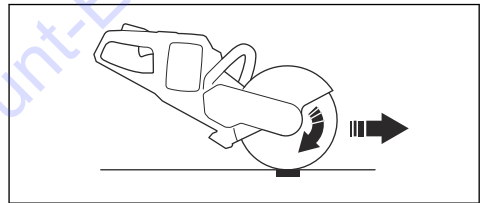
AVVERTENZA: I contraccolpi sono improvvisi e possono essere molto pericolosi. Il prodotto può essere spostato verso l'alto e all'indietro in direzione dell'operatore con un movimento rotatorio. Un contraccolpo può causare lesioni anche mortali. Accertarsi di comprendere le cause di un contraccolpo e come evitarlo prima di utilizzare questo prodotto.

Un contraccolpo si verifica quando il disco si inceppa nel settore di contraccolpo. Di solito non è pericoloso, ma un contraccolpo forte può causare lesioni anche mortali.



Forza di reazione

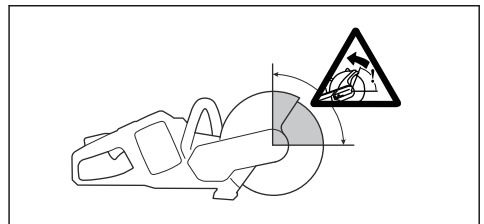
- La forza di reazione tira il prodotto in direzione opposta al movimento del disco. La maggior parte delle volte questa forza è esigua. Se il disco si inceppa, la forza di reazione può causare un contraccolpo.



- Evitare di inclinare il prodotto quando l'attrezzatura di taglio è in rotazione. Le forze centrifughe possono ridurre il movimento.

Zona di contraccolpo

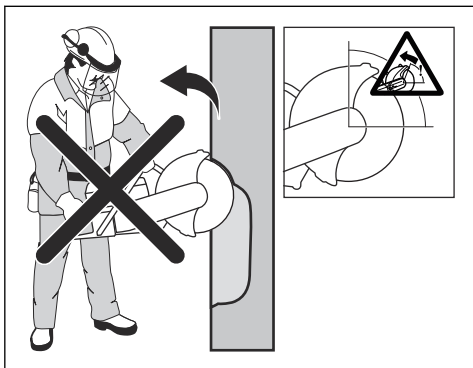
- Non tagliare con il settore di contraccolpo del disco di taglio. Se il disco si inceppa nel settore di contraccolpo, la forza di reazione fa ruotare il prodotto verso l'alto e all'indietro. Il prodotto può colpire l'operatore e provocare lesioni anche mortali.



Contraccolpo ascendente

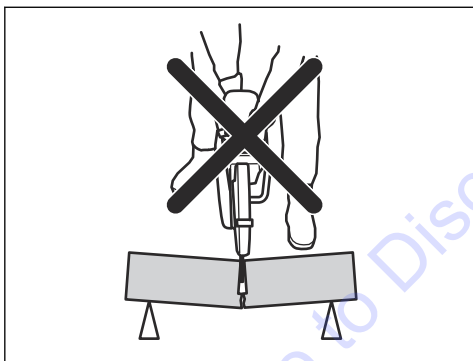
- Non utilizzare il settore di contraccolpo. Quando per il taglio viene utilizzato il settore di contraccolpo, la forza di reazione spingerà il disco verso l'alto.

Utilizzare la parte inferiore del disco per evitare il contraccolpo ascendente.



Contraccolpo da inceppamento

- Un disco si inceppa quando il taglio si chiude e impedisce la rotazione del disco. Se il disco si inceppa, la forza di reazione può causare un contraccolpo.



- Accertarsi che il pezzo sia tenuto in modo da mantenere aperto il taglio. Effettuare una stima del possibile movimento del pezzo durante l'ultima fase del taglio. Accertarsi che il taglio sia aperto durante l'operazione di taglio. Un taglio che si chiude può causare un contraccolpo da inceppamento.

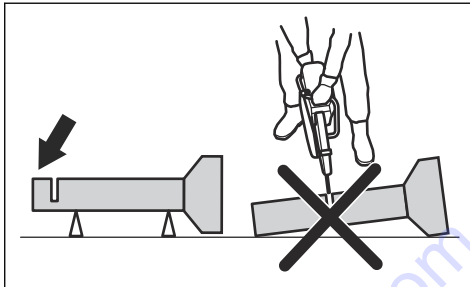
Taglio di tubi



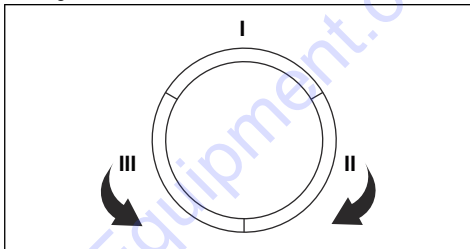
AVVERTENZA: Se il disco si inceppa nel settore di contraccolpo, questo provocherà un contraccolpo.

Fare attenzione quando si tagliano i tubi. Il tubo deve essere tenuto in posizione correttamente e il taglio deve rimanere sempre aperto. In caso contrario, il disco può incepparsi. Prestare particolare attenzione quando si taglia un tubo con un'estremità a campana o un tubo in un canale. Se non dispone del supporto corretto, il disco può incepparsi.

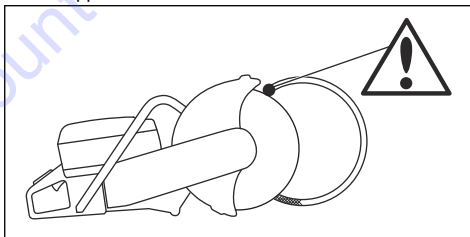
1. Accertarsi che il tubo non si muova durante il taglio.



2. Tagliare con la sezione "I".



3. Accertarsi che il taglio si apra per evitare l'inceppamento.



4. Passare al lato II e tagliare dalla sezione I alla parte inferiore del tubo.
5. Passare al lato III e tagliare la parte restante del tubo.
6. Accertarsi che il tubo sia tenuto correttamente in posizione. L'estremità del tubo deve spostarsi verso il basso durante il taglio.

Evitare l'inceppamento

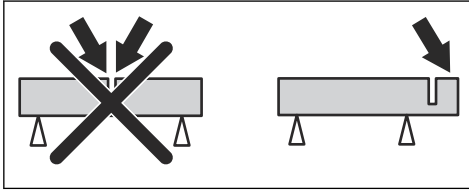


AVVERTENZA: Non lasciare che il taglio si chiuda durante il taglio. Un taglio che si chiude può causare l'inceppamento, con conseguenti contraccolpi o danni al disco di taglio.



AVVERTENZA: Prestare attenzione quando il disco di taglio viene posizionato in una scanalatura già presente.

- Accertarsi che il pezzo in lavorazione non possa spostarsi durante il taglio.
- Accertarsi che il pezzo sia tenuto in modo da mantenere aperto il taglio.
- Effettuare una stima del possibile movimento del pezzo durante l'ultima fase del taglio.
- Accertarsi che il taglio sia aperto durante l'operazione di taglio.



Gestione della polvere

- Il prodotto dispone di un kit di scarico a volumi ridotti di acqua. Se possibile, utilizzare il taglio a umido. Vedere le istruzioni alla voce *Collegamento dell'acqua di raffreddamento alla pagina 114*. Il flusso corretto è diverso a seconda dell'attività. Se il tubo dell'acqua fuoriesce dal punto di erogazione, la pressione dell'acqua fornita può essere troppo alta. Fare riferimento a *Dati tecnici alla pagina 123* per la pressione dell'acqua consigliata.
- Regolare il flusso dell'acqua con la valvola.

Manutenzione

Introduzione



AVVERTENZA: Leggere attentamente il capitolo sulla sicurezza prima di eseguire qualsiasi operazione di manutenzione del prodotto.



AVVERTENZA: Rimuovere la batteria prima di eseguire la manutenzione del prodotto.

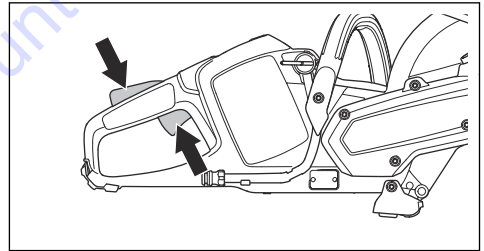


AVVERTENZA: La mancata osservanza dei corretti intervalli di manutenzione può diminuire il ciclo vitale del prodotto e aumentare il rischio di incidenti. Tutti gli interventi di manutenzione e/o di riparazione devono essere eseguiti da professionisti. Rivolgersi al centro di assistenza per maggiori informazioni.

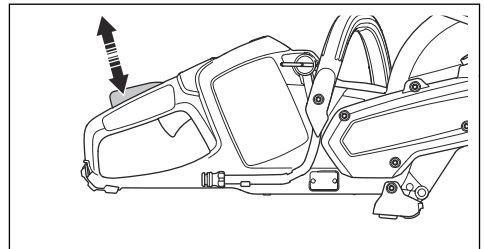
Controlli e manutenzione dei dispositivi di sicurezza sul prodotto

Controllo del fermo della leva di comando

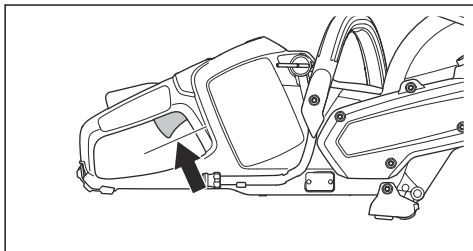
1. Controllare che la leva comando e il relativo fermo si muovano liberamente e che le molle di richiamo funzionino a dovere.



2. Abbassare il fermo della leva di comando e accertarsi che ritorni nella posizione iniziale quando viene rilasciato.



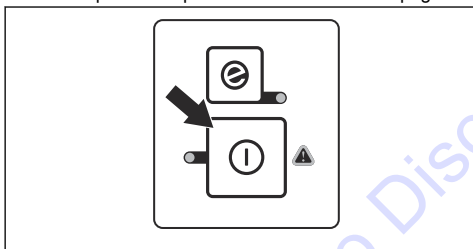
- Assicurarsi che la leva di comando sia bloccata sul minimo quando viene rilasciato il fermo della leva di comando.



- Avviare il prodotto e applicare piena potenza.
- Rilasciare la leva di comando e accertarsi che il disco di taglio si arresti. Se il disco di taglio gira con la leva di comando al minimo, contattare il centro di assistenza.

Controllare la tastiera

- Avviare il prodotto. Vedere *Controllo del fermo della leva di comando alla pagina 119*.
- Premere nuovamente il pulsante Start/Stop.
- Accertarsi che il prodotto si arresti quando si preme e tiene premuto il pulsante. Il LED verde si spegne.



Per pulire la batteria e il caricabatterie

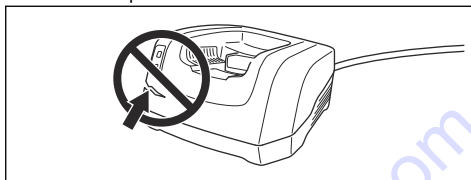


ATTENZIONE: Non pulire la batteria o il caricabatteria con acqua.

- Accertarsi che la batteria e il caricabatterie siano puliti e asciutti prima di inserire la batteria nel caricabatterie.
- Pulire i terminali della batteria con aria compressa o con un panno morbido e asciutto.
- Pulire le superfici della batteria e del caricabatterie con un panno morbido e asciutto.

Esecuzione del controllo del caricabatterie

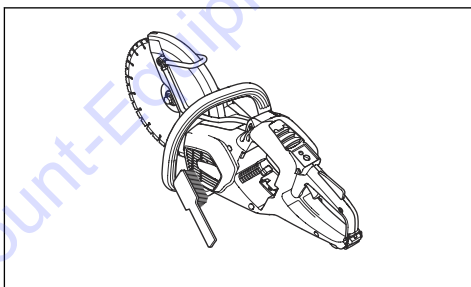
- Accertarsi che il caricabatterie o il cavo di alimentazione non siano danneggiati. Verificare l'eventuale presenza di incrinature o altri difetti.



Pulizia del sistema di raffreddamento

Il prodotto dispone di un sistema di raffreddamento che mantiene più bassa possibile la temperatura.

Il sistema di raffreddamento comprende una presa d'aria sul lato sinistro del prodotto e una ventola del motore.



- Pulire il sistema di raffreddamento con una spazzola settimanalmente o più spesso se le condizioni lo richiedono.
- Accertarsi che il sistema di raffreddamento non sia sporco o ostruito.



ATTENZIONE: Se il sistema di raffreddamento è sporco o ostruito può causare il surriscaldamento del prodotto.

Programma di manutenzione



AVVERTENZA: Rimuovere la batteria prima di eseguire la manutenzione.

Qui di seguito è disponibile una lista delle operazioni di manutenzione da eseguire sul prodotto.

Manutenzione	Prima dell'uso	Una volta a settimana	Una volta al mese
Pulire esternamente il prodotto.	X		

Manutenzione	Prima dell'uso	Una volta a settimana	Una volta al mese
Assicurarsi che il fermo della leva di comando e la leva di comando funzionino correttamente e in modo sicuro.	X		
Controllare il disco di taglio. Verificare l'eventuale presenza di incrinature e assicurarsi che il disco di taglio non sia usurato in modo irregolare. Sostituire se necessario.	X		
Pulire il carter ventola del prodotto.	X		
Assicurarsi che i dadi e le viti siano serrati a fondo.	X		
Accertarsi che la tastiera funzioni correttamente e che non sia danneggiata.	X		
Effettuare un controllo dei collegamenti tra la batteria e il prodotto. Controllare il collegamento tra la batteria e il caricabatterie.			X
Soffiare delicatamente aria compressa all'interno del prodotto e la batteria.			X

Ricerca guasti

Tastiera

Problema	Causa	Soluzione
La spia lampeggia.	Deviazione di temperatura.	Lasciare che il prodotto si raffreddi.
	Sovraccarico. Il gruppo di taglio è ostruito.	Pulire il gruppo di taglio.
	La leva comando e il pulsante di avvio vengono premuti contemporaneamente.	Rilasciare la leva di comando.
Il LED verde lampeggia.	La tensione della batteria è bassa.	Caricare la batteria.
La spia è accesa.	Assistenza.	Contattare il centro di assistenza.

Batteria

Problema	Causa	Soluzione
La spia lampeggia.	La batteria non è carica.	Caricare la batteria.
	Deviazione di temperatura.	Utilizzare la batteria in ambienti con temperature comprese tra -10 °C (14 °F) e 40 °C (104 °F).
	Tensione troppo alta.	Controllare che la tensione sulla batteria corrisponda a quella indicata sulla targhetta del prodotto. Rimuovere la batteria dal caricabatterie.

Problema	Causa	Soluzione
La spia è accesa.	La differenza delle celle della batteria è eccessiva (1 V).	Contattare il centro di assistenza.

Caricabatteria

Problema	Causa	Soluzione
La spia lampeggia.	Deviazione di temperatura.	Utilizzare la batteria in ambienti con temperature comprese tra 5 °C (41 °F) e 40 °C (104 °F).
La spia è accesa.		Contattare il centro di assistenza.

Trasporto, stoccaggio e smaltimento

Trasporto e rimessaggio

- Le batterie agli ioni di litio in dotazione rispettano i requisiti di legge sulle merci pericolose.
- Rispettare i requisiti speciali riportati sulla confezione e sulle etichette per il trasporto commerciale, compreso quello effettuato da terzi e da corrieri.
- Parlare con personale che ha seguito una formazione specifica in materiali pericolosi prima di inviare il prodotto. Rispettare tutte le norme nazionali vigenti.
- Quando si inserisce la batteria in un contenitore, applicare del nastro adesivo sui contatti aperti. Inserire la batteria nel contenitore in modo da garantirne la massima aderenza.
- Rimuovere la batteria per la conservazione o il trasporto.
- Conservare la batteria e il caricabatterie in un luogo asciutto, privo di umidità e protetto dal gelo.
- Non conservare la batteria in aree elettricamente statiche. Non conservare mai la batteria in una scatola di metallo.
- Durante il rimessaggio, conservare la batteria in un luogo dove la temperatura è compresa tra 5 °C (41 °F) e 25 °C (77 °F) e lontano da luce solare.
- Durante il rimessaggio, conservare il caricabatterie in un luogo dove la temperatura è compresa tra 5 °C (41 °F) e 45 °C (113 °F) e lontano da luce solare.
- Caricare la batteria dal 30% al 50% prima di immagazzinarla per lunghi periodi.
- Conservare il caricabatterie in un luogo chiuso e asciutto.
- Tenere la batteria lontano dal caricabatterie durante il rimessaggio. Non lasciare che i bambini e altre persone non autorizzate tocchino l'attrezzatura.

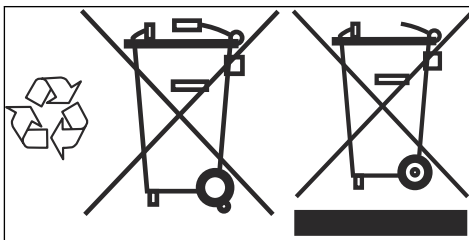
Mantenere le attrezzature in un luogo che è possibile chiudere.

- Pulire il prodotto ed eseguire una manutenzione completa prima di conservarlo per lunghi periodi.
- Utilizzare la protezione di trasporto sul prodotto per evitare che si danneggi durante il trasporto e il rimessaggio.
- Bloccare il prodotto in modo sicuro durante il trasporto.

Smaltimento della batteria, del caricabatterie e del prodotto

Il simbolo seguente indica che il prodotto non è un rifiuto domestico. Riciclarlo in una stazione di riciclaggio per apparecchiature elettriche ed elettroniche. Ciò contribuisce ad evitare danni all'ambiente e alle persone.

Per maggiori informazioni contattare le autorità locali, il servizio per rifiuti domestici o il rivenditore.



Nota: Il simbolo compare sul prodotto o sull'imballaggio.

Dati tecnici

Dati tecnici

Husqvarna K 535i				
Tensione			36 V	
Peso, kg (lb)			3,5 (7,7)	
Diametro del disco, mm (pollici)			230 (9)	
Spessore max. del disco, mm (pollici)	Dischi abrasivi		3,0 (0,1)	
	Dischi diamantati		1,8 (0,07)	
Velocità nominale dell'unità			5940 giri/min	
Raffreddamento ad acqua				
Raffreddamento ad acqua del disco			Sì	
Nipplo di giunzione			Tipo "Gardena"	
Pressione consigliata dell'acqua, bar (psi)			0,5 - 6 (7,3 - 87)	
Pressione massima dell'acqua, bar (psi)			6 (87)	
	Livelli di vibrazioni, a_{rveq} ¹		Emissioni di rumore ²	
	Anteriore sinistro	Posteriore destro	LpA	LwA
	m/s ²	m/s ²	dB(A)	dB(A)
BLi200	1,9	2,3		
BLi300	2.1	2,5	100,5	111,5
¹ Il valore totale dichiarato relativo alle vibrazioni è stato misurato in conformità alla norma EN 60745-2-22 e può essere utilizzato per confrontare un dispositivo con un altro. È possibile utilizzare il valore totale dichiarato relativo alle vibrazioni in una valutazione preliminare dell'esposizione.				
² Le emissioni di rumore sono misurate in conformità alla norma EN 60745-2-22.				
<ul style="list-style-type: none">• Incertezza della pressione acustica A K_{pA} è di 3 dB(A).• Incertezza della pressione acustica A K_{pA} è di 3 dB(A).				

Accessori

Batterie approvate per il prodotto

Batteria	BLi200	BLi300
Tipo	Ioni di litio	Ioni di litio
Capacità batteria, Ah	5,2	9,4

Batteria	BLi200	BLi300
Tensione nominale, V	36	36
Peso, kg / lb	1,3 / 2,9	1,9 / 4,2

Caricabatterie approvati per il prodotto

Caricabatterie	QC330
Tensione di rete, V	100-240
Frequenza, Hz	50-60
Potenza, W	330

ÍNDICE

Introdução.....	126	Resolução de problemas.....	147
Segurança.....	128	Transporte, armazenamento e eliminação.....	148
Montagem.....	135	Especificações técnicas.....	148
Funcionamento.....	139	Acessórios.....	149
Manutenção.....	144	Declaração CE de conformidade.....	150

Introdução

Descrição do produto

A Husqvarna K 535i é uma máquina de corte portátil. O produto é alimentado por uma bateria.

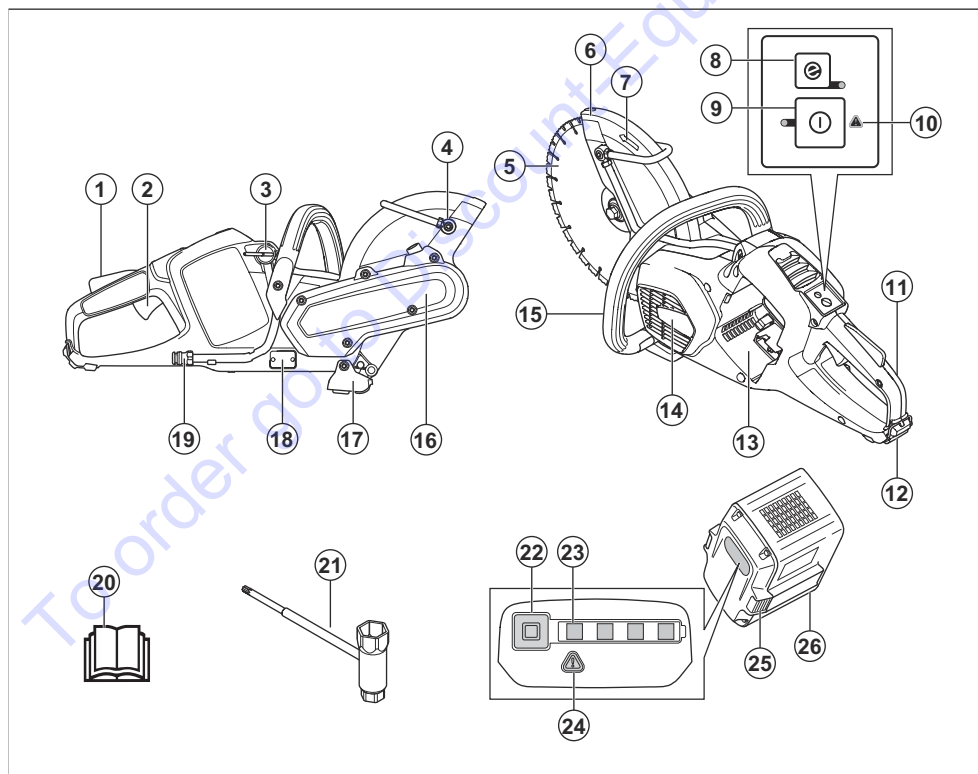
Decorre um trabalho constante para aumentar a sua segurança e eficiência durante o funcionamento. Para mais informações, contacte o revendedor com assistência técnica.

Finalidade

Este produto é utilizado para cortar telhas, placas de jardim e betão ligeiro.

Nota: A legislação nacional poderá limitar a utilização deste produto.

Vista geral do produto



1. Bloqueio do interruptor de alimentação
2. Interruptor de alimentação

3. Válvula de água
4. Bocal de água

5. Lâmina de corte
6. Proteção da lâmina
7. Rotação da lâmina
8. Botão SavE (economia)
9. Botão de arranque e paragem
10. Indicador de aviso
11. Punho traseiro com protecção para a mão direita
12. Suporte de terra traseiro com um ilhó na corda
13. Ranhura da bateria
14. Alojamento da ventoinha
15. Punho dianteiro
16. Proteção da correia
17. Suporte de terra frontal
18. Etiqueta de tipo
19. Ligação de água com filtro
20. Manual do utilizador
21. Chave combinada
22. Botão, estado da bateria
23. Estado da bateria
24. Indicador de aviso
25. Botão de desengate da bateria
26. Bateria (não incluída)

Símbolos no produto



Risco de ferimentos graves ou morte do operador ou terceiros. Seja cuidadoso e utilize o produto corretamente.



Leia atentamente o manual e certifique-se de que compreende as instruções antes de utilizar o produto.



Utilize o capacete de proteção, a proteção respiratória, a proteção ocular e os protetores acústicos aprovados.



Este produto cumpre as diretivas aplicáveis da CE.



Os gases do corte podem causar lesões se inspirados. Use uma proteção respiratória aprovada. Evite inspirar os gases de escape. Certifique-se de que o fluxo de ar é suficiente.



As faíscas da lâmina de corte podem provocar um incêndio de materiais inflamáveis como, por exemplo, gasolina, madeira, vestuário e relva seca.



Os retrocessos podem ser repentinos, rápidos e provocar ferimentos. Leia o manual do utilizador atentamente e compreenda o seu conteúdo antes de utilizar o produto.



Certifique-se de que a lâmina não apresenta fissuras nem danos.



Não utilize lâminas de serra circulares.

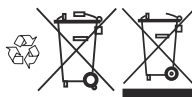


Marca ambiental. O produto ou a respetiva embalagem não são resíduos domésticos. Recicle o equipamento numa estação de reciclagem para equipamentos elétricos e eletrónicos.

	Direção de rotação da lâmina
yyyywwxxxx	A etiqueta de tipo apresenta o número de série. yyyy corresponde ao ano de produção, ww à semana de produção.
∅	Diâmetro externo máximo da lâmina
c.c.	Corrente contínua
n	Velocidade nominal

Nota: Os restantes símbolos/autocolantes existentes no produto dizem respeito às exigências de homologação de alguns países.

Símbolos na bateria e/ou no carregador da bateria



Recicle este produto numa estação de reciclagem para equipamentos elétricos e eletrónicos. (Válido unicamente na Europa)



Transformador contra-falhas.



Utilize e armazene o carregador da bateria apenas em espaços interiores.



Isolamento duplo.

- o produto tiver sido incorretamente reparado.
- o produto tiver sido reparado com peças que não sejam do fabricante ou que não sejam aprovadas pelo fabricante.
- o produto tiver um acessório que não seja do fabricante ou que não seja aprovado pelo fabricante.
- o produto não tiver sido reparado por um centro de assistência autorizado ou por uma autoridade aprovada.

Responsabilidade pelo produto

Como referido nas leis de responsabilidade pelo produto, não somos responsáveis por danos causados pelo nosso produto se:

Segurança

Definições de segurança

Os avisos, as precauções e as notas são utilizados para indicar partes especialmente importantes do manual.



ATENÇÃO: Utilizado no caso de existir risco de ferimento ou morte para o utilizador ou transeuntes, se não forem respeitadas as instruções do manual.



CUIDADO: Utilizado se existir risco de danos para o produto, para outros materiais ou para a área adjacente, se não forem respeitadas as instruções do manual.

Nota: Utilizado para disponibilizar informações adicionais necessárias numa determinada situação.

Avisos gerais de segurança da ferramenta eléctrica



ATENÇÃO: Leia todos os avisos de segurança e todas as instruções. O incumprimento dos avisos e das instruções poderá resultar em choques elétricos, incêndios e/ou ferimentos graves.

Nota: Guarde todos os avisos e instruções para referência futura. O termo "ferramenta eléctrica" nos avisos refere-se à sua ferramenta eléctrica com ligação à corrente (com cabo) ou ferramenta eléctrica com bateria (sem cabo).

Segurança no local de trabalho

- **Mantenha a área de trabalho limpa e bem iluminada.** Áreas desarrumadas ou escuras convidam ao acidente.

- **Não manje ferramentas eléctricas em ambientes explosivos, tal como na presença de líquidos inflamáveis, gases ou poeiras.** As ferramentas eléctricas criam faíscas que podem poeiras ou gases.
- **Mantenha as crianças e restantes pessoas afastadas enquanto maneja uma ferramenta eléctrica.** As distrações podem fazê-lo perder o controlo.

Segurança no manejo de electricidade

- **As fichas das ferramentas eléctricas têm de corresponder à tomada eléctrica. Nunca modifique a ficha de qualquer forma. Não use quaisquer fichas adaptadoras com ferramentas eléctricas ligadas à terra.** As fichas inalteradas e as tomadas correspondentes reduzem o risco de choque eléctrico.
- **Evite o contacto corporal com superfícies ligadas à terra, tais como tubos, radiadores, fogões e frigoríficos.** Existe um risco acrescido de choque eléctrico se o seu corpo estiver ligado à terra.
- **Não exponha ferramentas eléctricas a chuva ou condições de elevada humidade.** A entrada de água numa ferramenta eléctrica aumenta o risco de choque eléctrico.
- **Não danifique o fio eléctrico.** Nunca use o fio eléctrico para transportar, puxar ou desligar a ferramenta eléctrica da tomada. Mantenha o cabo eléctrico afastado de fontes de calor, óleo, arestas afiadas ou de peças em movimento. Fios eléctricos danificados ou emaranhados aumentam o risco de choque eléctrico.
- **Ao manejar uma ferramenta eléctrica no exterior, use uma extensão eléctrica adequada para utilização em exteriores.** A utilização de um cabo eléctrico adequado para utilização no exterior reduz o risco de choque eléctrico.
- **Se não puder evitar operar uma ferramenta eléctrica em locais húmidos, utilize uma fonte de alimentação protegida com um disjuntor diferencial residual (RDC).** A utilização de um disjuntor diferencial

residual (RCD) reduz o risco de choques eléctricos em caso de falha de terra.



CUIDADO: Não lave a máquina à pressão, pois a água pode penetrar no sistema eléctrico ou no motor e causar danos na máquina ou curto-circuitos.

Segurança pessoal

- **Mantenha-se alerta, tenha atenção ao que está a fazer e use o bom senso ao operar uma ferramenta eléctrica. Não utilize uma ferramenta eléctrica se estiver cansado ou sob a influência de drogas, álcool ou medicação.** Um momento de desatenção durante o manejo de ferramentas eléctricas pode resultar em lesões pessoais graves.
- **Use equipamento de protecção pessoal. Use sempre protecção ocular.** A utilização de equipamento de protecção como máscara antipoeira, calçado de segurança antiderrapante, capacete ou protetores acústicos nas condições apropriadas irá reduzir os ferimentos pessoais.
- **Prevenção de arranque não intencional. Certifique-se de que o interruptor se encontra desligado antes de ligar à fonte de alimentação e/ou à bateria, de pegar ou transportar a ferramenta.** Transportar ferramentas eléctricas com o dedo no interruptor ou ligar ferramentas eléctricas à corrente eléctrica com o interruptor ligado é um convite aos acidentes.
- **Remova qualquer chave de ajuste ou chave de porcas antes de ligar a ferramenta à corrente eléctrica.** Uma chave de porcas ou uma chave ligada a uma peça em rotação da ferramenta eléctrica pode resultar em lesões pessoais.
- **Não se debruce. Mantenha o equilíbrio e os pés sempre bem assentes.** Isto permite um melhor controlo da ferramenta eléctrica em situações inesperadas.
- **Vista-se adequadamente. Não use peças de roupa soltas ou jóias. Mantenha o cabelo, roupas e luvas longe de quaisquer peças em movimento.** Roupas soltas, jóias ou cabelo comprido podem ser apanhados nas peças em movimento.
- **Se forem fornecidos dispositivos para a ligação de equipamentos de extração e de recolha de poeiras, assegure-se de que estes estão ligados e são utilizados corretamente.** A utilização da recolha de poeiras pode reduzir os riscos relacionados com poeiras.
- **A emissão de vibrações durante a utilização da ferramenta pode ser diferente do valor total declarado, dependendo da forma como a ferramenta é utilizada.** Os operadores devem identificar as medidas de segurança necessárias à sua protecção, com base numa estimativa de exposição em condições reais de utilização (tendo em conta todas as fases do ciclo de operação, tais como o número de vezes que a ferramenta é ligada e desligada e quando está em rotação em vazio ou activada).

- **Mantenha-se afastado da lâmina quando o motor está a funcionar.**

Utilização e manutenção de ferramentas eléctricas

- **Não force a ferramenta eléctrica. Use a ferramenta eléctrica correcta para a sua aplicação.** A ferramenta eléctrica correcta fará um trabalho melhor e mais seguro ao ritmo para o qual foi desenhada.
- **Não use a ferramenta eléctrica se o interruptor não ligar ou desligar.** Qualquer ferramenta eléctrica que não possa ser controlada com o interruptor é perigosa e tem de ser reparada.
- **Desligue a ficha da fonte de alimentação eléctrica e/ou baterias da ferramenta eléctrica antes de fazer qualquer ajuste, mudar acessórios ou guardar ferramentas eléctricas.** Estas medidas de prevenção reduzem o risco de ligar a ferramenta eléctrica acidentalmente.
- **Guarde ferramentas eléctricas que não estão na ser utilizadas fora do alcance das crianças e não permita que qualquer pessoa não familiarizada com a ferramenta eléctrica ou com as suas instruções maneje a ferramenta eléctrica.** As ferramentas eléctricas são perigosas nas mãos de utilizadores inexperientes.
- **Faça a manutenção às ferramentas eléctricas. Verifique quanto a desalinhamentos ou bloqueio de peças móveis, danos de peças e qualquer outra condição que possa afectar o funcionamento da ferramenta eléctrica. Se estiver danificada, repare a ferramenta eléctrica antes de a usar.** Muitos acidentes são causados por ferramentas eléctricas com má manutenção.
- **Mantenha as ferramentas de corte afiadas e limpas.** Ferramentas de corte com as zonas de corte afiadas e bem mantidas têm menos probabilidades de bloquear e são mais fáceis de controlar.
- **Use a ferramenta eléctrica, acessórios e brocas, etc. de acordo com estas instruções, tomando em consideração as condições de funcionamento e o trabalho a ser executado.** A utilização da ferramenta eléctrica para operações diferentes das previstas pode resultar numa situação perigosa.
- **Não deverá, sob qualquer circunstância, modificar o design original da máquina sem a aprovação do fabricante.** Utilize sempre peças sobresselentes originais. Modificações e/ou acessórios não autorizados podem originar ferimentos graves ou morte do utilizador ou de outras pessoas.
- **Assegure-se de que não existem canalizações ou cabos eléctricos na área de trabalho ou no interior do material a ser cortado.**
- **Verifique e marque sempre os locais onde existem tubos de gás.** O corte junto a tubos de gás implica sempre perigo. Certifique-se de que não provoca faíscas ao cortar, tendo em conta o risco de explosão. Permaneça concentrado na tarefa.

Qualquer descuido pode provocar ferimentos graves ou morte.

Utilização e manutenção da bateria

- **Recarregue a bateria apenas com o carregador especificado pelo fabricante.** Um carregador adequado para um tipo de bateria pode criar risco de incêndio quando usado com outra bateria.
- **Use ferramentas eléctricas apenas com as baterias concebidas para as mesmas.** A utilização de quaisquer outras baterias pode criar risco de ferimentos e incêndio.
- **Quando a bateria não está a ser utilizada, mantenha-a afastada de outros objetos metálicos, como clips, moedas, chaves, pregos, parafusos ou outros objetos metálicos pequenos que possam fazer a ligação entre os dois terminais.** Provocar curto-circuitos nos terminais das baterias pode provocar queimaduras ou um incêndio.
- **Em condições extremas, é possível que o líquido da bateria varta; evite o contacto. Se ocorrer algum contacto accidental, lave com água. Se o líquido entrar em contacto com os olhos, procure assistência médica adicional.** O líquido vertido da bateria pode provocar irritações ou queimaduras.

Assistência

- **Garanta que a manutenção da sua ferramenta eléctrica é efetuada por um técnico de reparações qualificado e que utilize apenas peças de substituição idênticas.** Isto irá assegurar que a segurança das ferramentas eléctricas é mantida.

Aviso de segurança sobre a máquina de corte

- **A proteção fornecida com a ferramenta deve ser fixada de forma segura à ferramenta eléctrica e posicionada para garantir a máxima segurança, de modo a que a menor quantidade de roda possível esteja exposta ao operador.** O operador e outras pessoas devem estar afastados do plano da roda em rotação. A proteção ajuda a proteger o operador de fragmentos de roda quebrados e do contacto accidental com a roda.
- **Utilize apenas rodas de corte de diamante ou reforçadas na ferramenta eléctrica.** Só porque um acessório pode ser ligado à sua ferramenta eléctrica, tal não garante um funcionamento seguro.
- **A velocidade nominal do acessório deve ser pelo menos igual à velocidade máxima marcada na ferramenta eléctrica.** Os acessórios que funcionam mais depressa do que a respetiva velocidade nominal podem quebrar e soltar-se.
- **As rodas devem ser utilizadas apenas para as aplicações recomendadas. Por exemplo, não triturar com o lado da roda de corte.** As rodas de corte abrasivas destinam-se à retificação periférica; as forças aplicadas a estas rodas podem fazer com que estilhacem.
- **Utilize sempre flanges de roda em bom estado, com o diâmetro correto para a sua roda selecionada.** As flanges da roda adequadas suportam a roda, reduzindo assim a possibilidade de quebra da mesma.
- **Não utilize rodas reforçadas gastas de ferramentas eléctricas de maior dimensão.** As rodas de ferramentas eléctricas de maior dimensão não são adequadas à velocidade superior de uma ferramenta mais pequena e podem rebentar.
- **O diâmetro externo e a espessura do acessório deve estar dentro da capacidade nominal da ferramenta eléctrica.** Os acessórios de tamanho incorreto não podem ser protegidos nem controlados adequadamente.
- **O tamanho da haste das rodas e flanges deve adequar-se devidamente ao fuso da ferramenta eléctrica.** As rodas e flanges com furos para haste que não coincidem com as ferragens de montagem da ferramenta eléctrica perdem o equilíbrio, vibram excessivamente e podem provocar perdas de controlo.
- **Não utilize rodas danificadas. Antes de cada utilização, verifique a existência de lascas ou fissuras nas rodas. Se a ferramenta eléctrica ou a roda caírem, verifique se existem danos ou instale uma roda intacta. Após a inspeção e a instalação da roda, posicione-se a si e às restantes pessoas afastados do plano da roda em rotação e coloque em funcionamento a ferramenta eléctrica à rotação máxima sem carga durante um minuto.** As rodas danificadas normalmente quebram-se durante o período de teste.
- **Utilize equipamento de proteção pessoal.** Dependendo da aplicação, utilize o escudo facial, óculos de proteção ou óculos de segurança. Conforme apropriado, use uma máscara antipoeira, protetores acústicos, luvas e avental de oficina com capacidade para parar pequenos fragmentos abrasivos ou peças de trabalho. A proteção ocular deve ser capaz de parar os detritos projetados gerados por várias operações. A máscara antipoeira ou o respirador devem ter capacidade para filtrar as partículas geradas pela operação. A exposição prolongada ao ruído de alta intensidade pode causar perda da capacidade auditiva.
- **Mantenha as outras pessoas a uma distância segura da área de trabalho. Quem entra na área de trabalho deve utilizar equipamento de proteção pessoal.** Fragmentos da peça de trabalho ou uma roda quebrada podem saltar e causar ferimentos graves além da área imediata de operação.
- **Segure a ferramenta eléctrica apenas pelas superfícies de apoio isoladas quando realizar trabalhos em que o acessório de corte possa entrar em contacto com cablagem oculta.** O contacto do acessório de corte com um fio com tensão pode energizar as peças metálicas expostas da ferramenta eléctrica e, por conseguinte, provocar um choque elétrico no operador.

- **Nunca pouse a ferramenta elétrica até que o acessório pare completamente.** A roda em rotação pode agarrar a superfície e puxar a ferramenta elétrica para fora do seu controle.
- **Não coloque a ferramenta elétrica a funcionar se estiver a transportá-la ao seu lado.** O contacto accidental com o acessório em rotação pode apanhar a sua roupa, puxando o acessório na direção do seu corpo.
- **Limpe regularmente as saídas de ar da ferramenta elétrica.** A ventoinha do motor irá atrair o pó do interior da caixa e a acumulação excessiva de metal em pó pode causar riscos elétricos.
- **Não utilize a ferramenta elétrica perto de materiais inflamáveis.** As faíscas podem inflamar estes materiais.

Retrocesso e avisos relacionados

- **Um retrocesso é uma reação súbita a uma roda estrangulada ou agarrada em rotação.** Ao prender ou agarrar a roda, esta para repentinamente o que, por sua vez, faz com que a ferramenta elétrica descontrolada seja forçada no sentido oposto ao da rotação da roda no ponto onde ficou presa.
- **Por exemplo, se uma roda abrasiva for agarrada ou estrangulada pela peça de trabalho, a extremidade da roda que está a entrar no ponto de estrangulamento pode cavar a superfície do material, fazendo com que a roda saia ou seja projetada.** A roda pode saltar na direção do operador ou na direção oposta do mesmo, dependendo da direção do movimento da roda no ponto de estrangulamento. As rodas abrasivas podem também quebrar nestas condições.
- **O retrocesso é o resultado de má utilização da ferramenta elétrica e/ou procedimentos ou condições de funcionamento incorretos e pode ser evitado tomando as devidas precauções indicadas abaixo.**
- **Agarre com firmeza a ferramenta elétrica e posicione o corpo e braço para que consiga resistir às forças de retrocesso.** Utilize sempre o punho auxiliar, se existir, para ter melhor controle sobre o retrocesso ou a reação do binário durante o arranque. O operador pode controlar as reações de binário ou as forças de retrocesso, se forem tomadas as devidas precauções.
- **Nunca coloque a mão junto do acessório rotativo.** O acessório pode ressaltar sobre a sua mão.
- **Não posicione o corpo em linha com a roda em rotação.** O retrocesso irá impulsionar a ferramenta no sentido oposto ao do movimento da roda no ponto de entalamento.
- **Tenha especial cuidado ao trabalhar em cantos, arestas afiadas, etc.** Evite que o acessório oscile ou fique preso. Os cantos, as arestas afiadas ou os solavancos têm tendência para agarrar o acessório rotativo e provocar perda de controle ou retrocesso.
- **Não prenda uma corrente da serra, lâmina de trabalho em madeira, roda segmentada de diamante**

com uma folga periférica superior a 10 mm ou lâmina de serra dentada. Estas lâminas criam frequentemente retrocesso e perda de controle.

- **Não "encrave" a roda nem aplique pressão excessiva.** Não tente fazer uma profundidade de corte excessiva. O esforço excessivo sobre a roda aumenta a carga e a suscetibilidade de torcer ou obstruir a roda durante o corte e a possibilidade de retrocesso ou de quebra da roda.
- **Quando a roda está obstruída ou ao interromper um corte por qualquer motivo, desligue a ferramenta elétrica e segure-a imóvel até que a roda pare por completo.** Nunca tente retirar a roda do corte enquanto esta está em movimento; caso contrário, pode ocorrer um retrocesso. Investigue e tome medidas corretivas para eliminar a causa da obstrução da roda.
- **Não reinicie a operação de corte na peça de trabalho.** Deixe a roda atingir a rotação máxima e volte a inseri-la cuidadosamente no corte. A roda pode ficar obstruída, subir ou provocar o retrocesso se a ferramenta elétrica for reiniciada na peça de trabalho.
- **Suporte painéis ou qualquer peça de trabalho maior para minimizar o risco de estrangulamento da roda e retrocesso.** As peças grandes têm tendência a ceder pelo próprio peso. Devem ser colocados suportes sob a peça de trabalho junto à linha de corte e perto da extremidade da peça de trabalho em ambos os lados da roda.
- **Tenha um cuidado extra ao realizar um "corte com formato curvo" em paredes existentes e outras áreas sem visibilidade.** A roda saliente pode cortar tubos de água ou gás, cabos elétricos ou objetos que podem causar retrocesso.

Instruções de segurança gerais



ATENÇÃO: Leia as instruções de aviso que se seguem antes de utilizar o produto.

- Este produto é uma ferramenta perigosa e pode provocar ferimentos graves se não for usada cautelosamente ou se for utilizada de forma incorreta. É muito importante ler e compreender o conteúdo deste manual.
- Não altere o produto sem a aprovação do fabricante. Não utilize um produto que tenha sido alterado por outros e use sempre acessórios originais. As alterações não aprovadas pelo fabricante podem resultar em ferimentos graves ou a morte do operador ou de terceiros.
- Mantenha o produto limpo. As sinalizações e os autocolantes deverão estar totalmente visíveis.
- Este produto produz um campo eletromagnético durante o funcionamento. Em determinadas circunstâncias, este campo pode interferir com o funcionamento de implantes médicos ativos ou passivos. Para diminuir o risco de ferimentos graves

ou mortais, recomendamos que os portadores de implantes médicos consultem o seu médico e o fabricante do implante antes de utilizar este produto.

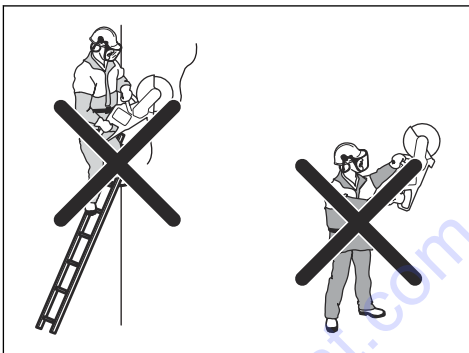
Instruções de segurança para funcionamento



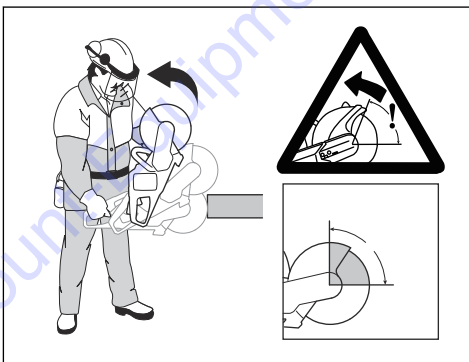
ATENÇÃO: Leia todos os avisos de segurança e todas as instruções. O incumprimento dos avisos e das instruções poderá resultar em choques elétricos, incêndios e/ou ferimentos graves.

- Não corte materiais contendo amianto.
- Ao cortar a seco, certifique-se de que as poeiras são extraídas de forma segura.
- As informações contidas neste manual não substituem capacidades profissionais e experiência. Se não se sentir seguro na situação em que se encontra, pare o produto. Não utilize o produto em situações desconhecidas.
- Contacte o seu revendedor com assistência técnica ou Husqvarna se tiver alguma dúvida sobre o funcionamento do produto. Podemos dar-lhe informações sobre como utilizar o produto de forma segura, com o melhor resultado.
- Nunca utilize um produto, uma bateria ou um carregador de bateria defeituoso.
- Não toque numa lâmina de corte rotativa. Tal pode causar ferimentos graves ou morte.
- Não utilize o produto em condições meteorológicas desfavoráveis, como nevoeiro denso, chuva intensa, ventos fortes ou frio extremo. Más condições climáticas acrescentam riscos, como o gelo no chão.
- Não ligue um produto, salvo se todas as coberturas e proteções estiverem corretamente montadas.
- Verifique a área circundante. Certifique-se de que não existe o risco de terceiros ou animais tocarem ou influenciarem o seu controlo do produto.
- Não deixe que as crianças utilizem ou se aproximem do produto. O produto é fácil de ligar. Isto pode implicar um risco de ferimentos graves.
- Retire a bateria quando não tem visão total do produto. Retire a bateria se não for utilizar o produto durante um longo período de tempo.
- Tem de estar estável para ter total controlo sobre o produto. Não utilize o produto se estiver numa escada. Não utilize o produto se não estiver num solo estável.

- Não utilize o produto acima da altura dos ombros.



- Se não for cuidadoso, o risco de retrocesso aumenta.



- Não utilize o produto apenas com uma mão. É impossível controlar este produto com segurança só com uma mão.
- Não utilize um produto numa situação em que não consiga obter ajuda em caso de acidente.
- Certifique-se de que pode deslocar-se com segurança. Examine as condições e o terreno à sua volta e procure possíveis obstáculos.
- A sobre-exposição a vibrações pode levar a lesões arteriais ou nervosas em pessoas com problemas no sistema circulatório. Consulte um médico em caso de sintomas relacionados com a sobre-exposição a vibrações. Estes sintomas podem manifestar-se como torpor, ausência de sensibilidade, 'cócegas', 'picadelas', dor, falta ou redução de força normal, alterações de cor da pele ou da sua superfície. Estes sintomas surgem normalmente nos dedos, mãos ou pulsos. Estes sintomas são mais evidentes a temperaturas baixas.
- Não é possível incluir cada eventual situação com a qual se pode deparar ao utilizar este produto. Seja sempre cuidadoso e use o seu senso comum.

- **Nota:** Depois de utilizar a ferramenta, os protetores acústicos devem ser levantados assim

que cessar a serração, afim de se poderem perceber os sons e sinais de perigo.

Equipamento de proteção pessoal



ATENÇÃO: Leia todos os avisos de segurança e todas as instruções. O incumprimento dos avisos e das instruções poderá resultar em choques elétricos, incêndios e/ou ferimentos graves.

- O utilizador deve usar equipamento de proteção pessoal aprovado durante o funcionamento. O equipamento de proteção pessoal não fornece proteção total contra ferimentos, mas diminui a respetiva gravidade em caso de acidente. Contacte o seu revendedor com assistência técnica para obter recomendações sobre o equipamento a utilizar.
- O vestuário deve ser justo, mas não deve limitar os seus movimentos. Verifique regularmente o estado do equipamento de proteção pessoal.
- Utilize um capacete de proteção aprovado.
- Utilize proteção respiratória aprovada.
- Utilize protetores acústicos aprovados. A exposição prolongada a ruídos pode provocar danos auditivos permanentes.
- Use óculos de proteção ou viseira para reduzir o risco de ferimentos causados por partículas e poeiras. Isso pode causar ferimentos graves, especialmente nos olhos.
- Use luvas de proteção resistentes.
- Use botas com biqueira de aço e sola antideslizante.
- O kit de primeiros socorros deve sempre estar à mão.

Dispositivos de segurança no produto



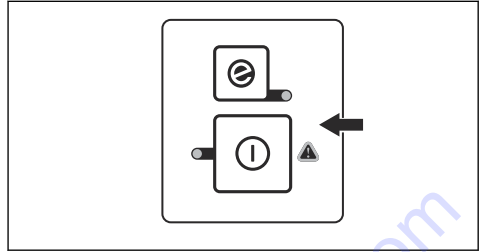
ATENÇÃO: Leia todos os avisos de segurança e todas as instruções. O incumprimento dos avisos e das instruções poderá resultar em choques elétricos, incêndios e/ou ferimentos graves.

- Não utilize o produto com componentes de segurança danificados. O equipamento de segurança deve passar por inspeção e manutenção regularmente. Contacte o seu revendedor com assistência técnica para reparação se a inspeção de um dispositivo de segurança não for aprovada.

Teclado

O indicador de aviso fica intermitente se existir o risco de sobrecarga. A proteção contra sobrecarga interrompe temporariamente o produto e o utilizador não pode utilizar o produto até a temperatura ser restaurada.

Se o indicador apresentar uma luz contínua, contacte o seu revendedor com assistência técnica.

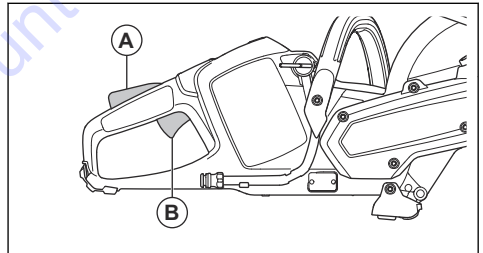


A função de paragem automática

O produto possui uma função de paragem automática que desliga o produto caso não o utilize durante um minuto.

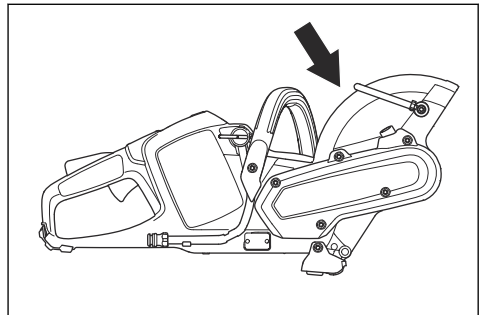
Bloqueio do interruptor de alimentação

O bloqueio do interruptor de alimentação impede o funcionamento acidental do interruptor de alimentação. Se colocar a mão no punho e premir o bloqueio do interruptor de alimentação (A), este liberta o interruptor de alimentação (B). Quando solta o punho, o interruptor de alimentação e o bloqueio do interruptor de alimentação retornam às suas posições originais.



Proteção da lâmina

A proteção da lâmina impede as partículas de corte de ferirem o utilizador. A proteção impede as peças de se soltarem e de ferirem o utilizador



Segurança da bateria



ATENÇÃO: Leia todos os avisos de segurança e todas as instruções. O incumprimento dos avisos e das instruções poderá resultar em choques elétricos, incêndios e/ou ferimentos graves.

- Utilize apenas as baterias Husqvarna BLi que recomendamos para o seu produto. As baterias contêm software encriptado.
- Utilize as baterias Husqvarna BLi recarregáveis como fonte de alimentação apenas para os produtos Husqvarna relacionados. Para evitar ferimentos, não utilize a bateria como fonte de alimentação para outros produtos.
- Risco de choque elétrico. Não ligue os terminais da bateria a chaves, parafusos ou outros metais. Caso contrário, pode provocar um curto-circuito da bateria.
- Não utilize baterias não recarregáveis.
- Não coloque objetos nas aberturas de ventilação da bateria.
- Mantenha a bateria afastada do sol, calor ou de chamas abertas. A bateria pode explodir e causar queimaduras e/ou queimaduras químicas.
- Mantenha a bateria afastada de chuva e condições de humidade.
- Mantenha a bateria afastada de micro-ondas e alta pressão.
- Não tente desmontar ou partir a bateria.
- Não deixe que o ácido da bateria entre em contacto com a pele. O ácido da bateria provoca ferimentos na pele, corrosão e queimaduras. Se o ácido da bateria entrar em contacto com os olhos, não os esfregue; lave os olhos com água durante, pelo menos, 15 minutos. Se o ácido da bateria entrar em contacto com a pele, tem de limpar a pele com uma grande quantidade de água e sabão. Procure assistência médica.
- Utilize a bateria a temperaturas entre -10 °C (14 °F) e 40 °C (104 °F).
- Não limpe a bateria ou o carregador com água. Consulte o capítulo *Para limpar a bateria e o carregador da bateria na página 145*.
- Não utilize uma bateria danificada ou com defeito.
- Mantenha as baterias armazenadas afastadas de objetos metálicos como, por exemplo, pregos, parafusos ou joias.
- Mantenha as baterias afastadas de crianças.

Segurança do carregador de bateria



ATENÇÃO: Leia todos os avisos de segurança e todas as instruções. O incumprimento dos avisos e das instruções poderá resultar em choques elétricos, incêndios e/ou ferimentos graves.

- Risco de choque elétrico ou curto-circuito se as instruções de segurança não forem cumpridas.
- Não utilize outros carregadores de baterias que não o fornecido para o seu produto. Utilize apenas carregadores QC Husqvarna para carregar baterias de substituição BLi Husqvarna.
- Não tente desmontar o carregador da bateria.
- Não utilize um carregador da bateria que esteja com defeito ou danificado.
- Não utilize o cabo de alimentação para levantar o carregador da bateria. Para desligar o carregador da bateria de uma tomada elétrica, puxe a ficha. Não puxe o cabo de alimentação.
- Mantenha todos os cabos e cabos de extensão afastados de água, óleo e arestas afiadas. Certifique-se de que o cabo não fica entalado em portas, cercas ou objetos equivalentes.
- Não utilize o carregador da bateria próximo de materiais inflamáveis ou materiais que possam provocar corrosão. Certifique-se de que o carregador da bateria não está coberto. Em caso de fumo ou fogo, desligue o carregador da bateria da tomada.
- Carregue a bateria apenas em espaços interiores, com um bom fluxo de ar e sem exposição à luz solar. Não carregue a bateria no exterior. Não carregue a bateria em condições de humidade.
- Utilize apenas o carregador da bateria onde a temperatura se encontrar entre 5 °C (41 °F) e 40 °C (104 °F). Utilize o carregador em ambientes bem ventilados, secos e isentos de poeiras.
- Não coloque objetos nas aberturas de ar do carregador da bateria.
- Não ligue os terminais do carregador da bateria a objetos metálicos, uma vez que pode provocar um curto-circuito no carregador da bateria.
- Não proceda ao carregamento de baterias não recarregáveis no carregador da bateria nem as utilize na máquina.
- Utilize tomadas de eletricidade aprovadas e que não se encontrem danificadas.

Instruções de segurança para manutenção



ATENÇÃO: Leia as instruções de aviso que se seguem antes de efetuar tarefas de manutenção no produto.

- Retire a bateria antes de efetuar tarefas de manutenção, outras verificações, ou de montar o produto.
- O operador só pode efetuar as tarefas de manutenção e assistência descritas neste manual do utilizador. Contacte o seu revendedor com assistência técnica para tarefas de manutenção e assistência de maior extensão.
- Não limpe a bateria ou o carregador com água. Os detergentes fortes podem danificar o plástico.

- Se não proceder à manutenção, irá diminuir o ciclo de vida do produto e aumentar o risco de acidentes.
- É necessária formação especializada para todos os trabalhos de assistência e reparação, especialmente para os dispositivos de segurança do produto. Se, após efetuar tarefas de manutenção, nem todas as

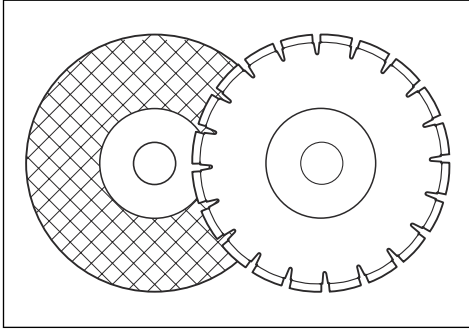
verificações deste manual forem aprovadas, contacte o seu revendedor com assistência técnica. Garantimos que existem reparações e assistência profissionais disponíveis para o seu produto.

- Utilize sempre peças sobresselentes originais.

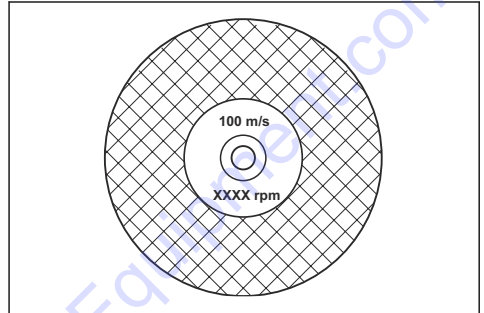
Montagem

Lâminas de corte aplicáveis

Existem dois modelos básicos Husqvarna de lâminas de corte para a K 535i: lâminas abrasivas e lâminas de diamante.



Certifique-se de que a lâmina está aprovada para uma velocidade de rotação igual ou superior à indicada na placa de tipo do cortador de disco.



Lâminas de corte para cortadores de disco portáteis de alta velocidade



ATENÇÃO: Apenas utilize as lâminas de diamante e lâminas abrasivas para betão. Não utilize lâminas com serrações, como lâminas de corte circular para madeira ou lâminas com pontas de carbeto. O risco de retrocesso aumenta e as pontas de carbeto podem soltar-se e ser arremessadas a alta velocidade. Isto pode resultar em ferimentos ou morte.



ATENÇÃO: A utilização incorreta pode causar o aquecimento excessivo da lâmina. Se a lâmina estiver demasiado quente pode provocar o mau funcionamento, o que pode causar danos e ferimentos.



ATENÇÃO: Nunca use uma lâmina de corte com uma velocidade máxima inferior à do cortador de disco. Utilize apenas lâminas de corte que estejam em conformidade com as normas nacionais ou regionais.

Nota: Corte apenas materiais aprovados conforme as instruções fornecidas com a lâmina.

Vibrações nos discos



CUIDADO: Se utilizar o produto com demasiada força, a lâmina pode ficar excessivamente quente, dobrar e causar vibrações. Utilize o produto com menos força. Se as vibrações persistirem, substitua a lâmina.

Lâminas abrasivas



ATENÇÃO: Não utilize lâminas abrasivas com água. A capacidade das lâminas abrasivas é prejudicada quando estas são expostas à água ou a humidade, resultando num risco aumentado da lâmina se partir.

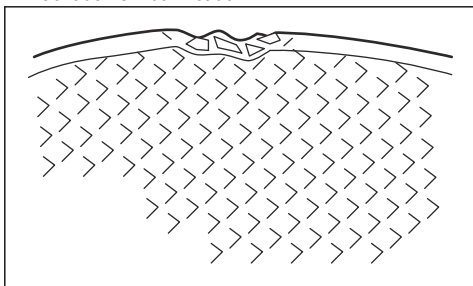


CUIDADO: Não é permitido o corte com lâminas abrasivas com o acessório Vac. A utilização de lâminas abrasivas causa um desgaste não natural do acessório Vac.

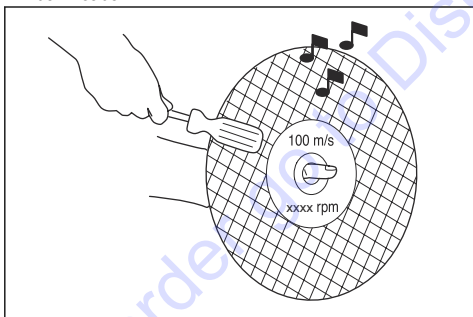


CUIDADO: Não utilize lâminas abrasivas que excedam a espessura máxima recomendada, consulte *Especificações técnicas na página 148*

- Não utilize rodas reforçadas usadas de ferramentas elétricas de maior dimensão. As rodas de ferramentas elétricas de maior dimensão não são adequadas à velocidade superior de uma ferramenta mais pequena e podem rebentar.
- O material cortante das lâminas abrasivas é composto por grãos abrasivos aglomerados com aglutinantes orgânicos. As lâminas reforçadas são constituídas por uma base têxtil ou de fibra evita a rutura total em velocidade de trabalho máxima, caso a lâmina apresente fissuras ou esteja danificada.
- O desempenho de um disco de corte é determinado pelo tipo e tamanho das partículas abrasivas e pelo tipo e dureza do aglomerado orgânico.
- Certifique-se de que o disco de corte não está rachado nem danificado.



- Teste a lâmina abrasiva suspendendo-a de um dedo e batendo-lhe levemente com o cabo de uma chave de fendas ou um objeto semelhante. Se a lâmina não produzir um som agudo ressonante, está danificada.



- Certifique-se de utilizar a lâmina abrasiva correta no material pretendido.

Discos de diamante



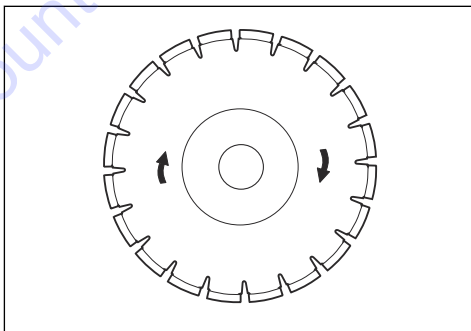
ATENÇÃO: Nunca utilize uma lâmina de diamante para cortar materiais de plástico. O calor produzido durante o corte pode fazer com que o plástico derreta e adira ao disco de corte, provocando um retrocesso.



ATENÇÃO: As lâminas de diamante ficam muito quentes durante a utilização. Uma lâmina sobreaquecida deve-se à utilização inadequada, e pode deformar-se, resultando em danos e em ferimentos.

Nota: Afie a lâmina cortando em material macio, como grés ou tijolo.

- Use sempre um disco de diamante afiado.
- Os discos de diamante podem ficar rombos se for usada a pressão de aplicação errada ou se forem usados no corte de determinados materiais, tais como betão fortemente armado. Trabalhar com uma lâmina de diamante romba provoca sobreaquecimento, o que pode resultar na libertação de segmentos de diamante.
- As lâminas de diamante são compostas por um núcleo de aço com segmentos que contêm diamantes industriais.
- As lâminas de diamante são usadas de preferência em todos os tipos de alvenaria, cimento e outros materiais compósitos.
- Quando utilizar uma lâmina de diamante, certifique-se de que esta roda no sentido indicado pela seta na lâmina.



Corte húmido



CUIDADO: Não utilize equipamento Vac juntamente com o sistema húmido.

- As lâminas de diamante para corte húmido têm de ser utilizadas com o sistema húmido.
- O arrefecimento a água arrefece o disco e aumenta a respetiva vida útil, reduzindo simultaneamente a formação de poeira.
- Ao efetuar um corte húmido, certifique-se de que recolhe a água residual de forma segura.

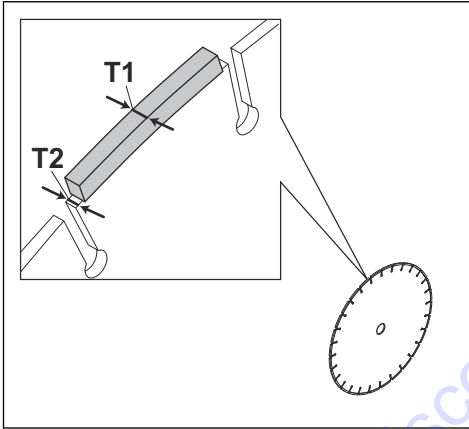
Corte a seco

- Ao cortar a seco, levante a lâmina para fora do corte a cada 30-60 segundos, deixando-o rodar no ar durante 10 segundos para que possa arrefecer.
- Utilize equipamento Vac, se possível.

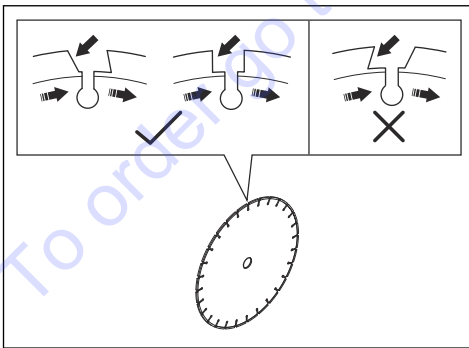
Lâmina de diamante - requisitos



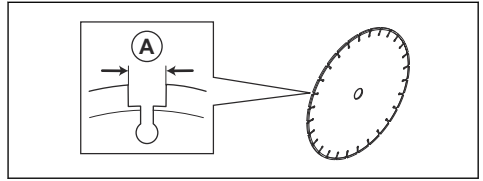
ATENÇÃO: Certifique-se de que o segmento de diamante (T1) é mais largo que a lâmina (T2). Isto serve para evitar estrangulamentos na ranhura de corte e retrocessos.



CUIDADO: Não utilize lâminas de diamante com ângulos de inclinação positivos.



CUIDADO: Não utilize lâminas de diamante com uma folga superior a, no máximo, 10 mm (A) entre segmentos.



CUIDADO: Não utilize lâminas de diamante com uma espessura de lâmina superior ao valor máximo recomendado, consulte *Especificações técnicas na página 148*.



CUIDADO: Algumas situações de corte e lâminas desgastadas podem causar maior desgaste na parte lateral dos segmentos. Substitua a lâmina antes de esta estar gasta.

Para verificar o eixo do fuso e as anilhas flangeadas

Examine as anilhas flangeadas e o eixo do fuso quando substituir a lâmina.



CUIDADO: Utilize apenas as anilhas flangeadas fornecidas pela Husqvarna, com um diâmetro mínimo de 60 mm/2,4 pol.

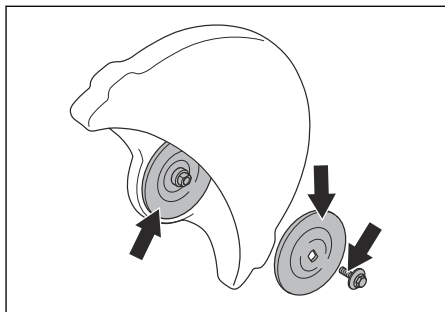


CUIDADO: Não use anilhas flangeadas danificadas, com defeito ou sujas.



CUIDADO: Não usar anilhas flangeadas com dimensões diferentes.

- Certifique-se de que as roscas do eixo do fuso não estão danificadas.
- Certifique-se de que as superfícies da lâmina e as anilhas flangeadas não estão danificadas, têm as dimensões certas, estão limpas e funcionam corretamente no eixo do fuso.

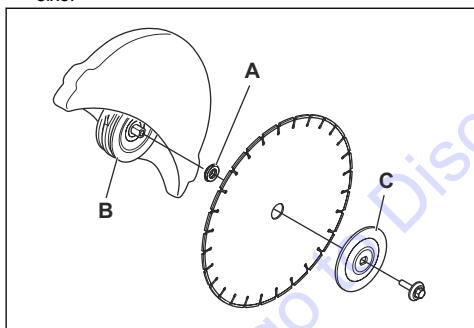


Para examinar o casquilho da haste

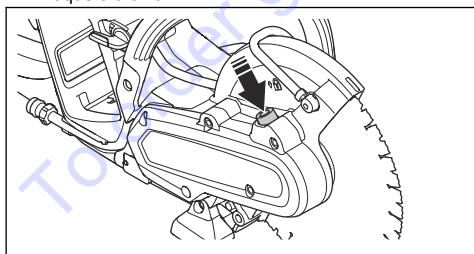
- Utilize apenas casquilhos de haste da Husqvarna.
- Certifique-se de que o casquilho de haste tem a dimensão correta para a lâmina de corte. A dimensão correta está impressa na etiqueta da lâmina de corte.

Para fixar a lâmina de corte

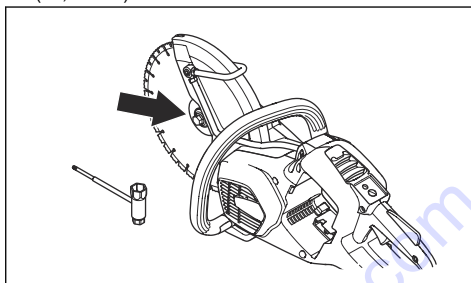
1. A lâmina de corte é colocada no casquilho (A) entre a anilha flangeada interior (B) e a anilha flangeada (C). A anilha flangeada é rodada para encaixar no eixo.



2. Bloqueie o eixo.



3. Aperte o parafuso. O binário de aperto para o parafuso de fixação da lâmina de corte é de 30 Nm (18,5 ft-lbs).



Verificar a lâmina e a proteção da lâmina



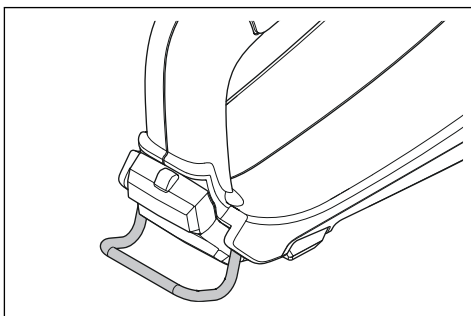
ATENÇÃO: Uma lâmina de corte defeituosa poderá provocar ferimentos.

1. Certifique-se de que a lâmina de corte está corretamente encaixada e não apresenta defeitos.
2. Certifique-se de que a proteção da lâmina não tem fissuras nem danos.
3. Substitua a proteção da lâmina, caso esta esteja danificada. Consulte *Para fixar a lâmina de corte na página 138*

Ilhó da corda

O produto dispõe de um ilhó da corda. O ilhó da corda pode ser utilizado para elevar e baixar o produto. Ligue um estropo aplicável ao ilhó da corda para o utilizar para levantamento e descida.

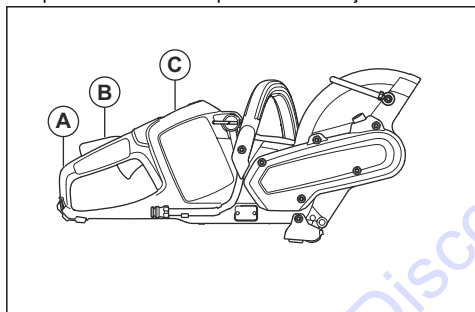
O ilhó da corda pode ser utilizado para prender o produto a um objeto sólido, para impedir que caia e que provoque ferimentos em pessoas ou danos em equipamento.



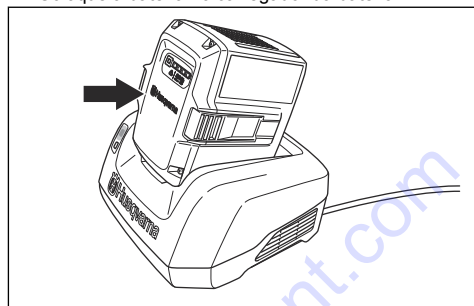
Funcionamento

Para verificar o funcionamento antes de usar o produto

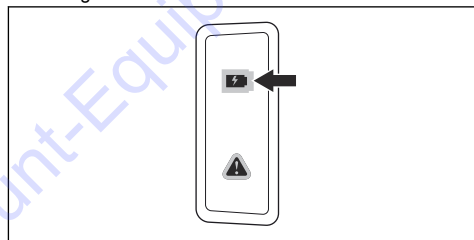
1. Verifique a proteção traseira do lado direito (A) para confirmar que não está danificada.
2. Verifique o bloqueio do interruptor de alimentação (B) para confirmar que funciona corretamente e que não está danificado.
3. Verifique o teclado (C) para confirmar se funciona corretamente.
4. Efetue uma verificação para confirmar que todas as peças e proteções estão corretamente montadas e não estão danificadas ou em falta.
5. Carregue a bateria e certifique-se de que está devidamente montada no produto.
6. Certifique-se de que o cortador de disco para quando solta o interruptor de alimentação.



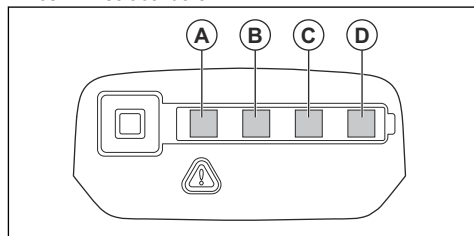
2. Coloque a bateria no carregador da bateria.



3. Certifique-se de que a luz verde de carga do carregador da bateria se acende. Isso significa que a bateria se encontra corretamente ligada ao carregador da bateria.



4. A bateria está totalmente carregada quando todos os LED se acenderem.



Ligar o carregador da bateria

1. Ligue o carregador da bateria a uma rede elétrica com tensão e frequência que estejam especificadas na etiqueta de tipo.
2. Coloque a ficha numa tomada elétrica de ligação à terra. O LED do carregador da bateria pisca a verde uma vez.

Nota: A bateria não carrega se a temperatura da bateria for superior a 50 °C/122 °F. Se a temperatura for superior a 50 °C/122 °F, o carregador da bateria arrefece a bateria antes do respetivo carregamento.

Ligar a bateria ao carregador da bateria

Nota: Carregue a bateria se se tratar da primeira vez que a utiliza. Uma bateria nova tem apenas 30% de carga.

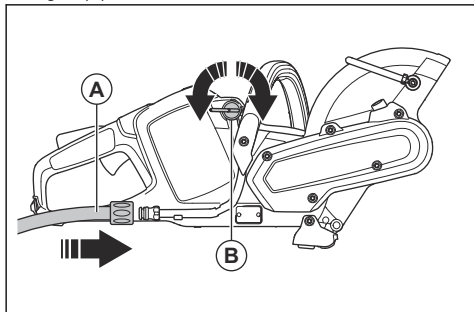
1. Certifique-se de que a bateria está seca.

5. Para desligar o carregador da bateria da tomada elétrica, puxe a ficha. Não puxe o cabo.
6. Retire a bateria do carregador da bateria.

Nota: Consulte os manuais da bateria e do carregador da bateria para obter mais informações.

Ligar a água de arrefecimento

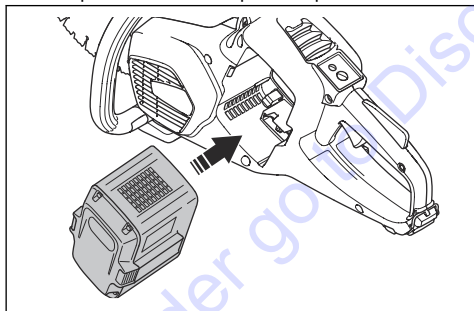
1. Ligue a mangueira da água ao fornecimento de água (A).



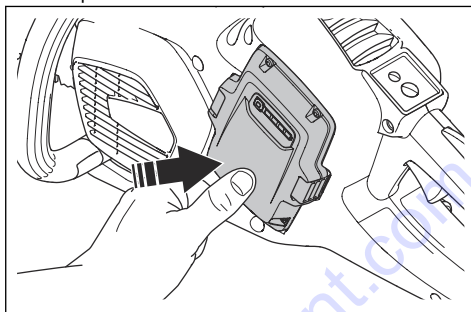
2. Rode a torneira (B) para abrir ou fechar a água.
3. Verifique se existem fugas na ligação de água ou na mangueira.
4. Certifique-se de que a pressão de água não excede o valor máximo permitido de pressão de água, consulte as *Especificações técnicas*.

Arranque

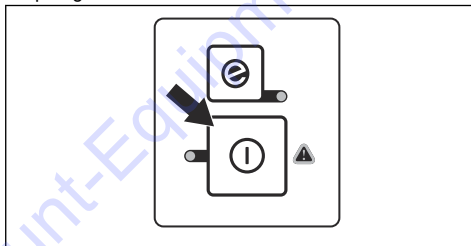
1. Faça uma verificação do interruptor de alimentação e do bloqueio do interruptor de alimentação. Consulte o capítulo *Verificar o bloqueio do interruptor de alimentação na página 145*.
2. Coloque a bateria no respetivo suporte.



3. Prima na parte inferior da bateria até ouvir um som de clique. Se a bateria não se mover facilmente para o respetivo suporte, não está devidamente instalada no suporte da bateria.



4. Prima e mantenha premido o botão de arranque/paragem até acender o LED verde.

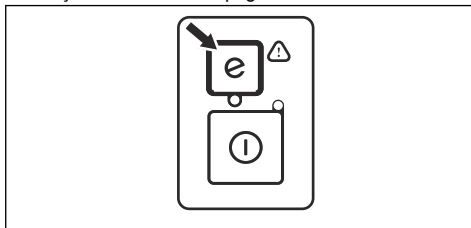


Utilizar a função SavE

Este produto tem uma função de poupança de energia, SavE. A função SavE diminui a velocidade da lâmina e proporciona um tempo de funcionamento mais longo da bateria.

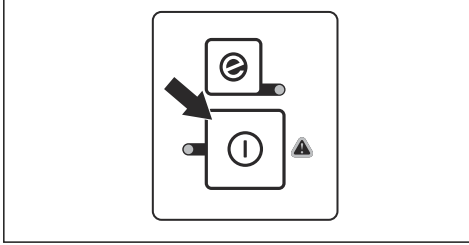
Nota: A função SavE não diminui a potência de corte do produto.

1. Pressione o botão SavE no teclado.
2. Certifique-se de que o LED verde se acende.
3. Prima o botão SavE novamente para desativar a função. O LED verde apaga-se.

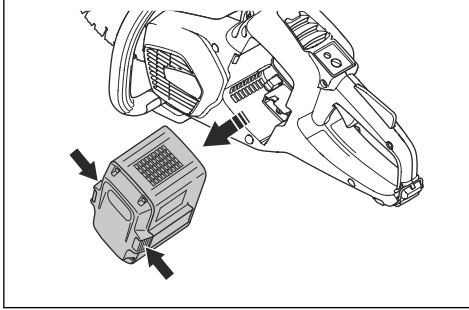


Para desligar o produto

1. Prima e mantenha premido o botão de arranque/paragem no teclado até apagar o LED verde.



2. Prima os botões de desengate da bateria e retire a bateria do respetivo suporte.



ATENÇÃO: Retire a bateria quando não estiver em utilização ou quando não tiver total visibilidade do produto. Tal evita o arranque acidental.

Técnicas básicas de trabalho



ATENÇÃO: Não desloque o cortador de disco para o lado. Isso pode impedir o livre movimento da lâmina e provocar a quebra desta, o que pode provocar ferimentos.



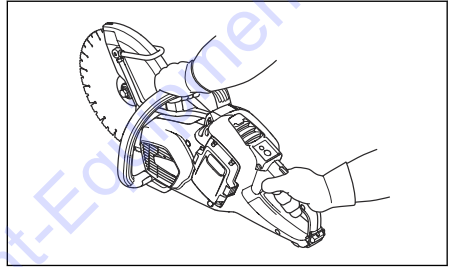
ATENÇÃO: Não utilize a parte lateral da lâmina. A lâmina pode ficar danificada e partida, o que pode provocar ferimentos. Utilize apenas a extremidade cortante.



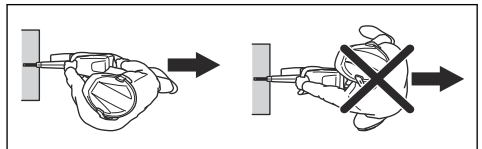
ATENÇÃO: Nunca utilize uma lâmina de diamante para cortar materiais de plástico. O calor que ocorre pode derreter o plástico. O plástico derretido pode colar à lâmina de corte, provocando um retrocesso.

- O produto é fabricado para lâminas de diamante de alta velocidade, aprovadas para cortadores de disco portáteis.

- O produto destina-se ao corte de azulejos, betão ligeiro e pedra. Utilize apenas para este tipo de operação.
- Certifique-se de que a lâmina de corte e não apresenta sinais de danos e de que está ligada corretamente; consulte *Lâminas abrasivas na página 135* e *Para fixar a lâmina de corte na página 138*.
- Certifique-se de que utiliza a lâmina de corte correta para o tipo de operação, consulte *Lâminas de corte para cortadores de disco portáteis de alta velocidade na página 135*.
- Não corte materiais contendo amianto.
- Segure sempre o cortador de disco com as 2 mãos. Segure sempre no produto bem com os polegares e os dedos em volta dos punhos. Segure sempre o punho traseiro com a mão direita e o punho dianteiro com a mão esquerda.

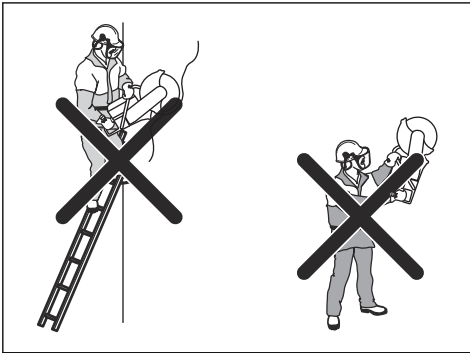


- Mantenha-se sempre paralelo à lâmina de corte. Não se coloque linearmente por trás da lâmina de corte. Em caso de retrocesso, o cortador de disco irá mover-se no plano da lâmina de corte.

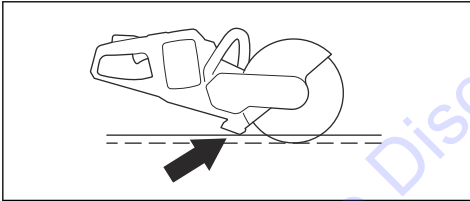


- Mantenha-se a uma distância segura da lâmina de corte quando o motor está a funcionar.
- Certifique-se de que está numa posição estável durante o funcionamento.
- Mantenha a distância aplicável ao objeto que está a cortar.
- Não utilize acima da altura dos ombros. Utilize uma plataforma ou um andaime se a operação de corte for acima da altura do ombro. Não se debruce.

- Não utilize com uma escada.

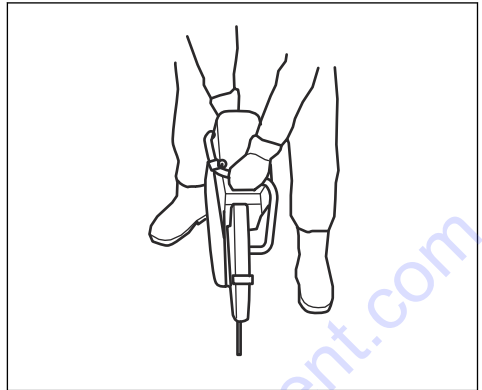


- Certifique-se de que a lâmina de corte está livre quando o motor é ligado.
- Monitorize sempre o produto quando o motor está em funcionamento.
- Não mova o produto com a lâmina de corte a rodar. O produto tem um retardador elétrico para diminuir o tempo de paragem da lâmina.
- Certifique-se de que o suporte de terra frontal está nivelado com a peça de trabalho na parte traseira. A proteção da lâmina recolhe a pulverização e a poeira e afasta-as do operador.

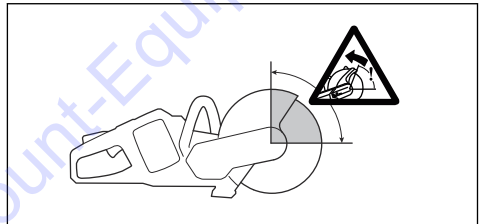


- Corte com aceleração total. Mantenha a uma velocidade de rotação total até que a operação de corte esteja concluída.
- Empurre a lâmina de corte cuidadosamente contra o objeto que está a cortar. Não utilize força.

- Alinhe a lâmina de corte com o corte.



- Mova a lâmina de corte lentamente para a frente e para trás para diminuir a área entre a lâmina de corte e o material. Isto diminui a temperatura da lâmina de corte.



- Não corte com o setor de risco de retrocesso da lâmina; ver *Retrocesso na página 142*.

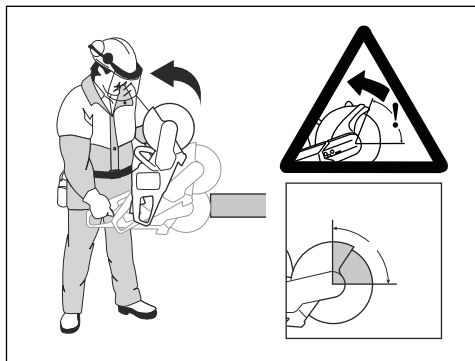
Retrocesso



ATENÇÃO: Os retrocessos são súbitos e podem ser muito perigosos. O produto pode ser movido para cima e para trás na direção do operador, num movimento rotativo. Ferimentos ou morte são resultados possíveis de um retrocesso. Certifique-se de que compreende as causas do retrocesso e como evitá-lo antes de utilizar o produto.

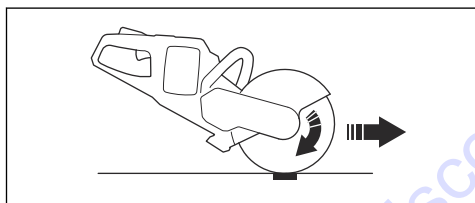
Um retrocesso ocorre quando a lâmina ficar estrangulada no setor de risco de retrocesso.

Geralmente, não são perigosos, mas um retrocesso forte pode causar ferimentos ou morte.



Força reactiva

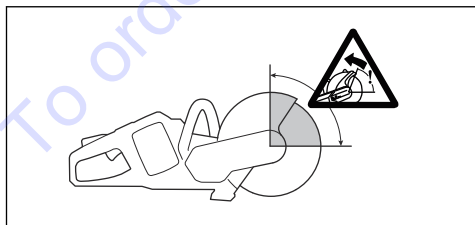
- Uma força reactiva puxa o produto no sentido contrário ao da rotação da lâmina. Na maioria das vezes, esta força não é forte. Se a lâmina ficar estrangulada, a força reactiva pode provocar um retrocesso.



- Não incline o produto com o equipamento de corte a rodar. As forças centrífugas podem diminuir o movimento.

Zona de retrocesso

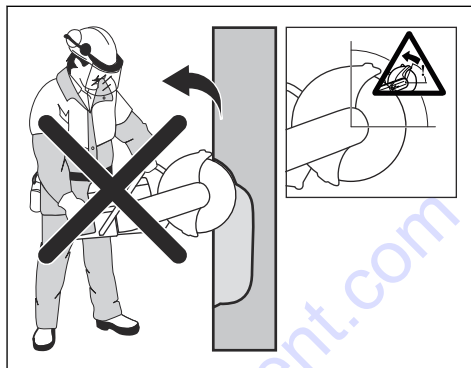
- Não corte com o setor de risco de retrocesso da lâmina de corte. Se a lâmina ficar estrangulada no setor de risco de retrocesso, a força reactiva roda o produto para cima e para trás. Pode atingir o operador e pode resultar em ferimentos graves ou morte.



Retrocesso de subida

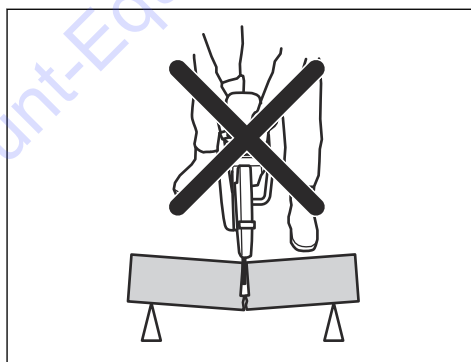
- Não utilize a zona de retrocesso. Se o setor de risco de retrocesso for utilizado para cortar, a força reactiva desloca a lâmina para cima dentro do corte. Utilize a

parte inferior da lâmina, de modo a evitar o retrocesso de subida.



Retrocesso por fechamento do corte

- A lâmina é estrangulada quando o corte se fecha e para a rotação da lâmina. Se a lâmina ficar estrangulada, a força reactiva pode provocar um retrocesso.



- Certifique-se de que a peça de trabalho está fixada para manter o corte aberto durante uma operação de corte. Faça uma estimativa do possível movimento da peça de trabalho durante a última fase da operação de corte. Certifique-se de que o corte está aberto durante a operação de corte. Um corte que fecha pode provocar um retrocesso por estrangulamento.

Para cortar em tubos

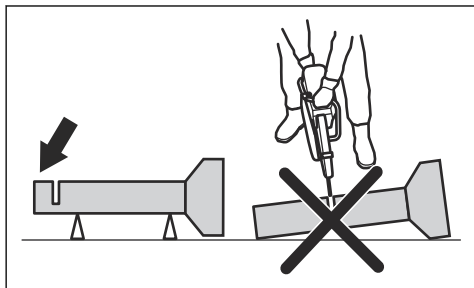


ATENÇÃO: Se a lâmina ficar presa no setor de retrocesso, isto causará um retrocesso.

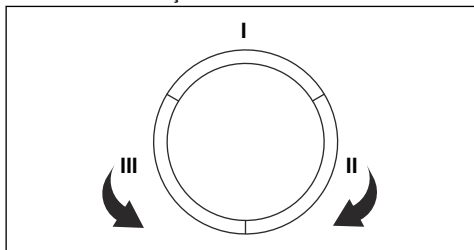
Tenha cuidado ao cortar em tubos. O tubo deve ser mantido na posição correta e o corte mantido aberto durante todo o processo de corte. Se isso não acontecer, a lâmina pode ficar estrangulada. Tenha especial cuidado ao cortar um tubo com uma

extremidade mais larga ou um tubo que se encontre numa vala. Se não tiver suporte adequado, a lâmina pode ficar estrangulada.

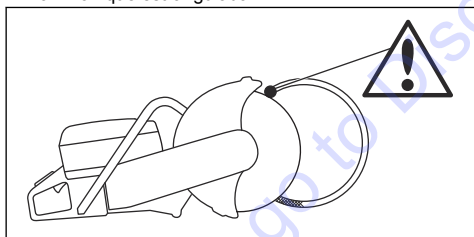
1. Certifique-se de que o tubo não se move durante o corte.



2. Corte com a secção "I".



3. Certifique-se de que o corte abre para evitar que a lâmina fique estrangulada.



4. Passe para o lado II e corte da secção I até à parte inferior do tubo.
5. Passe para o lado III e corte a parte restante da extremidade do tubo.
6. Certifique-se de que o tubo fica fixo no devido lugar. A extremidade do tubo deverá mover-se para baixo durante o corte.

Para evitar estrangulamento

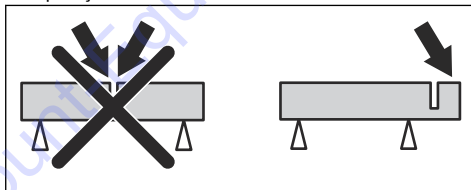


ATENÇÃO: Não deixe que o corte feche durante uma operação de corte. Um corte que se fecha pode provocar estrangulamento, o que pode causar um retrocesso ou danos na lâmina de corte.



ATENÇÃO: Tenha cuidado quando a lâmina de corte é colocada num corte existente.

- Certifique-se de que a peça de trabalho não pode mover-se durante uma operação de corte.
- Certifique-se de que a peça de trabalho está fixada para manter o corte aberto durante uma operação de corte.
- Faça uma estimativa do possível movimento da peça de trabalho durante a última fase da operação de corte.
- Certifique-se de que o corte está aberto durante a operação de corte.



Para gerir a poeira

- O produto tem um kit de baixo volume de descarga de água. Utilize o corte húmido sempre que possível. Consulte as instruções em *Ligar a água de arrefecimento na página 140*. O fluxo correto é diferente para diferentes tipos de tarefas. Se a mangueira de água sair na fonte de abastecimento, a pressão de água fornecida pode ser demasiado alta. Consulte *Especificações técnicas na página 148* para saber a pressão de água recomendada.
- Ajuste o fluxo de água com a válvula.

Manutenção

Introdução

antes de realizar tarefas de manutenção no produto.



ATENÇÃO: Certifique-se de que leu e compreendeu o capítulo sobre segurança



ATENÇÃO: Retire a bateria antes de efetuar a manutenção do produto.

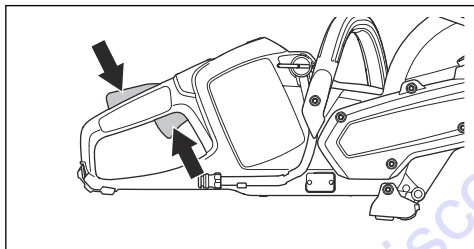


ATENÇÃO: Se não fizer a manutenção corretamente, pode diminuir o ciclo de vida do produto e aumentar o risco de acidentes. Todos os trabalhos de manutenção e/ou reparação devem também ser realizados por um profissional. Para mais informações, contacte o revendedor com assistência técnica.

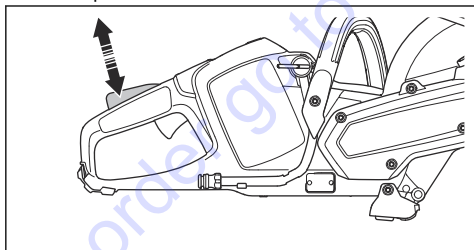
Manutenção e verificação dos dispositivos de segurança no produto

Verificar o bloqueio do interruptor de alimentação

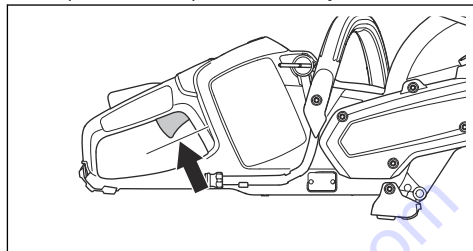
1. Certifique-se de que o interruptor de alimentação e o respetivo bloqueio se movem livremente, e que a mola de retorno funciona corretamente.



2. Pressione o bloqueio do interruptor de alimentação e certifique-se de que este regressa à sua posição inicial quando libertado.



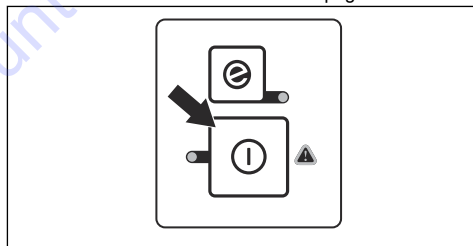
3. Certifique-se de que o interruptor de alimentação está bloqueado na posição de ralenti quando o bloqueio do interruptor de alimentação é libertado.



4. Arranque o produto e aplique a potência máxima.
5. Liberte o interruptor de alimentação e certifique-se de que a lâmina de corte para. Se a lâmina de corte rodar com o interruptor de alimentação na posição de ralenti, contacte o seu revendedor com assistência técnica.

Verificar o teclado

1. Ligue o produto. Consulte *Verificar o bloqueio do interruptor de alimentação na página 145*
2. Prima novamente o botão de arranque/paragem.
3. Certifique-se de que o produto para quando prime sem soltar o botão. O LED verde apaga-se.



Para limpar a bateria e o carregador da bateria

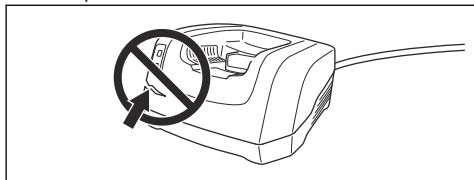


CUIDADO: Não limpe a bateria ou o carregador com água.

- Certifique-se de que a bateria e o carregador da bateria estão limpos e secos antes de colocar a bateria no carregador da bateria.
- Limpe os terminais da bateria com ar comprimido ou com um pano macio e seco.
- Limpe as superfícies da bateria e o carregador da bateria com um pano macio e seco.

Verificar o carregador da bateria

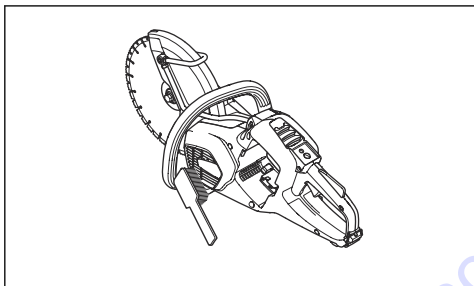
1. Certifique-se de que o carregador da bateria e o cabo da fonte de alimentação não estão danificados. Verifique se existem fissuras e outros defeitos.



Limpar o sistema de arrefecimento

O produto tem um sistema de arrefecimento que mantém a temperatura do produto tão baixa quanto possível.

O sistema de arrefecimento inclui uma entrada de ar no lado esquerdo do produto e uma ventoinha no motor.



1. Limpe o sistema de arrefecimento com uma escova, semanalmente ou com maior frequência se necessário.
2. Certifique-se de que o sistema de arrefecimento não está sujo ou obstruído.



CUIDADO: Um sistema de arrefecimento sujo ou obstruído pode provocar o sobreaquecimento do produto.

Esquema de manutenção



ATENÇÃO: Retire a bateria antes de iniciar qualquer tarefa de manutenção.

A seguinte lista de tarefas de manutenção tem de ser realizada no produto.

Manutenção	Antes de utilizar	Semanalmente	Mensalmente
Limpe os componentes externos do produto.	X		
Certifique-se de que o interruptor de alimentação e o bloqueio do interruptor de alimentação funcionam corretamente e com segurança.	X		
Verifique a lâmina de corte. Verifique se existem fissuras e certifique-se de que a lâmina de corte não está muito gasta. Proceda à substituição, se necessário.	X		
Limpe o alojamento da ventoinha do produto.	X		
Certifique-se de que os parafusos e as porcas estão apertados.	X		
Certifique-se de que o teclado funciona devidamente e não se encontra danificado.	X		
Verifique as ligações entre a bateria e o produto. Verifique a ligação entre a bateria e o carregador da bateria.			X
Sopre ar comprimido através do produto e da bateria.			X

Resolução de problemas

Teclado

Problema	Causa	Solução
Indicador de aviso intermitente.	Desvio de temperatura.	Permita que o produto arrefeça.
	Sobrecarga. O equipamento de corte está obstruído.	Limpe o equipamento de corte.
	Prima simultaneamente o interruptor de alimentação e o botão de arranque.	Solte o interruptor de alimentação.
LED verde intermitente.	Tensão da bateria baixa.	Carregue a bateria.
O indicador de aviso está aceso.	Serviço.	Contacte o seu revendedor com assistência técnica.

Bateria

Problema	Causa	Solução
Indicador de aviso intermitente.	A bateria não está carregada.	Carregue a bateria.
	Desvio de temperatura.	Utilize a bateria em ambientes em que as temperaturas se encontrem entre -10 °C/14 °F e 40 °C/104 °F.
	Tensão demasiado alta.	Verifique se a tensão da bateria corresponde à indicada na etiqueta de tipo do produto. Retire a bateria do carregador da bateria.
O indicador de aviso está aceso.	A diferença entre as células da bateria é demasiado elevada (1 V).	Contacte o seu revendedor com assistência técnica.

Carregador da bateria

Problema	Causa	Solução
Indicador de aviso intermitente.	Desvio de temperatura.	Utilize a bateria em ambientes em que as temperaturas se encontrem entre 5 °C/41 °F e 40 °C/104 °F.
O indicador de aviso está aceso.		Contacte o seu revendedor com assistência técnica.

Transporte, armazenamento e eliminação

Transporte e armazenamento

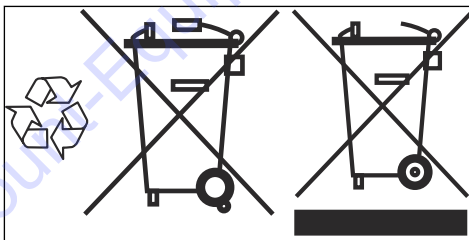
- As baterias de íões de lítio fornecidas cumprem os requisitos da legislação sobre mercadorias perigosas.
- Cumpra o requisito especial sobre a embalagem e as etiquetas de transporte comercial, incluindo por terceiros e agentes transitários.
- Contacte uma pessoa com formação específica em material perigoso antes de enviar o produto. Cumpra todos os regulamentos nacionais aplicáveis.
- Utilize fita em contactos abertos quando colocar a bateria numa embalagem. Coloque a bateria na embalagem de forma fixa para impedir movimentos.
- Retire sempre a bateria para armazenamento ou transporte.
- Coloque a bateria e o carregador da bateria num espaço seco e sem humidade ou gelo.
- Não armazene a bateria numa área onde possa haver eletricidade estática. Não armazene a bateria numa caixa metálica.
- Coloque a bateria num local onde a temperatura varie entre 5 °C (41 °F) e 25 °C (77 °F) e afastado da exposição à luz solar.
- Coloque o carregador da bateria num local onde a temperatura varie entre 5 °C (41 °F) e 45 °C (113 °F) e afastado da exposição à luz solar.
- Carregue a bateria entre 30% a 50% antes de a armazenar durante longos períodos de tempo.
- Armazene o carregador da bateria num espaço fechado e seco.
- Mantenha a bateria afastada do carregador da bateria durante o armazenamento. Não permita que crianças e outras pessoas não autorizadas entrem em contacto com o equipamento. Mantenha o equipamento num espaço que possa trancar.

- Antes de armazenar o produto durante longos períodos de tempo, limpe-o e efetue uma manutenção completa do mesmo.
- Utilize a proteção para transporte no produto para evitar ferimentos ou danos no produto durante o transporte e o armazenamento.
- Fixe o produto em segurança durante o transporte.

Eliminação da bateria, do carregador da bateria e do produto

O símbolo abaixo significa que o produto não é um resíduo doméstico. Recicle o equipamento numa estação de reciclagem para equipamentos elétricos e eletrónicos. Isto ajuda a evitar danos no ambiente e em pessoas.

Para obter mais informações, contacte as autoridades locais, o serviço de recolha de resíduos domésticos ou o seu revendedor.



Nota: O símbolo aparece no produto ou na embalagem do produto.

Especificações técnicas

Especificações técnicas

Husqvarna K 535i		
Tensão		36V
Peso, kg (lbs)		3,5 (7,7)
Diâmetro da lâmina, mm (pol.)		230 (9)
Espessura máxima da lâmina, mm (pol.)	Lâminas abrasivas	3,0 (0,1)
	Discos de diamante	1,8 (0,07)
Velocidade nominal da unidade		5940 rpm

Husqvarna K 535i				
Refrigeração a água				
Refrigeração a água do disco				Sim
Bocal de ligação				Tipo "Gardena"
Pressão de água recomendada, bar (psi)				0,5 - 6 (7,3 - 87)
Pressão de água máxima, bar (psi)				6 (87)
	Níveis de vibração, a_{hveq} ¹		Emissões de ruído ²	
	Dianteira/esquerda	Parte traseira direita	LpA	LwA
	m/s ²	m/s ²	dB(A)	dB(A)
BLi200	1,9	2,3		
BLi300	2,1	2,5	100,5	111,5
¹ O valor total de vibração declarado foi medido em conformidade com a norma EN 60745-2-22 e pode ser utilizado para comparar ferramentas. O valor total de vibração declarado também pode ser utilizado para uma avaliação preliminar da exposição.				
² As emissões de ruído são medidas em conformidade com a norma EN 60745-2-22.				
<ul style="list-style-type: none"> • A incerteza para o nível de potência sonora ponderado A K_{pA} é 3 dB(A). • A incerteza para o nível de pressão sonora ponderado A K_{pA} é 3 dB(A). 				

Acessórios

Baterias aprovadas para o produto

Bateria	BLi200	BLi300
Tipo	lões de lítio	lões de lítio
Capacidade da bateria, Ah	5,2	9,4
Tensão nominal, V	36	36
Peso, kg/lb	1,3/2,9	1,9/4,2

Carregadores de bateria aprovados para o produto

Carregador da bateria	QC330
Tensão de corrente elétrica, V	100-240
Frequência, Hz	50-60
Potência, W	330

 **Husqvarna**[®]

**Discount
Equipment**

Original instructions
الإرشادات الأصلية
Αρχικές οδηγίες

1159956-30

Instrucciones originales
Istruzioni originali
Instruções originais



2021-02-26

TO PURCHASE THIS PRODUCT PLEASE CONTACT US



**Equipment Financing and
Extended Warranties Available**



**Discount-Equipment.com is your online resource for
commercial and industrial quality parts and equipment sales.**

561-964-4949

visit us on line @ www.discount-equipment.com

Select an option below to find your Equipment

Search by Manufacturer

Search by Product Type

Request a Quote

We sell worldwide for the brands: Genie, Terex, JLG, MultiQuip, Mikasa, Essick, Whiteman, Mayco, Toro Stone, Diamond Products, Generac Magnum, Airman, Haulotte, Barreto, Power Blanket, Nifty Lift, Atlas Copco, Chicago Pneumatic, Allmand, Miller Curber, Skyjack, Lull, Skytrak, Tsurumi, Husquvarna Target, Stow, Wacker, Sakai, Mi-T-M, Sullair, Basic, Dynapac, MBW, Weber, Bartell, Bennar Newman, Haulotte, Ditch Runner, Menegotti, Morrison, Contec, Buddy, Crown, Edco, Wyco, Bomag, Laymor, EZ Trench, Bil-Jax, F.S. Curtis, Gehl Pavers, Heli, Honda, ICS/PowerGrit, IHI, Partner, Imer, Clipper, MMD, Koshin, Rice, CH&E, General Equipment, Amida, Coleman, NAC, Gradall, Square Shooter, Kent, Stanley, Tamco, Toku, Hatz, Kohler, Robin, Wisconsin, Northrock, Oztec, Toker TK, Rol-Air, APT, Wylie, Ingersoll Rand / Doosan, Innovatech, Con X, Ammann, Mecalac, Makinex, Smith Surface Prep, Small Line, Wanco, Yanmar