



# Husqvarna®



## Husqvarna K 535i

EN	Operator's manual	2-24
DE	Bedienungsanweisung	25-50
FR	Manuel d'utilisation	51-76
NL	Gebruiksaanwijzing	77-101

**TO PURCHASE THIS PRODUCT PLEASE CONTACT US**



**Equipment Financing and  
Extended Warranties Available**



**Discount-Equipment.com is your online resource for  
commercial and industrial quality parts and equipment sales.**

**561-964-4949**

**visit us on line @ [www.discount-equipment.com](http://www.discount-equipment.com)**

Select an option below to find your Equipment

**Search by Manufacturer**

**Search by Product Type**

**Request a Quote**

We sell worldwide for the brands: Genie, Terex, JLG, MultiQuip, Mikasa, Essick, Whiteman, Mayco, Toro Stone, Diamond Products, Generac Magnum, Airman, Haulotte, Barreto, Power Blanket, Nifty Lift, Atlas Copco, Chicago Pneumatic, Allmand, Miller Curber, Skyjack, Lull, Skytrak, Tsurumi, Husquvarna Target, Stow, Wacker, Sakai, Mi-T-M, Sullair, Basic, Dynapac, MBW, Weber, Bartell, Bennar Newman, Haulotte, Ditch Runner, Menegotti, Morrison, Contec, Buddy, Crown, Edco, Wyco, Bomag, Laymor, EZ Trench, Bil-Jax, F.S. Curtis, Gehl Pavers, Heli, Honda, ICS/PowerGrit, IHI, Partner, Imer, Clipper, MMD, Koshin, Rice, CH&E, General Equipment, Amida, Coleman, NAC, Gradall, Square Shooter, Kent, Stanley, Tamco, Toku, Hatz, Kohler, Robin, Wisconsin, Northrock, Oztec, Toker TK, Rol-Air, APT, Wylie, Ingersoll Rand / Doosan, Innovatech, Con X, Ammann, Mecalac, Makinex, Smith Surface Prep, Small Line, Wanco, Yanmar

# Contents

Introduction.....	2	Troubleshooting.....	21
Safety.....	4	Transportation, storage and disposal.....	22
Assembly.....	10	Technical data.....	22
Operation.....	14	Accessories.....	23
Maintenance.....	19	EC Declaration of Conformity.....	24

## Introduction

### Product description

Husqvarna K 535i is a portable handheld cut-off machine. The product is energized by a battery.

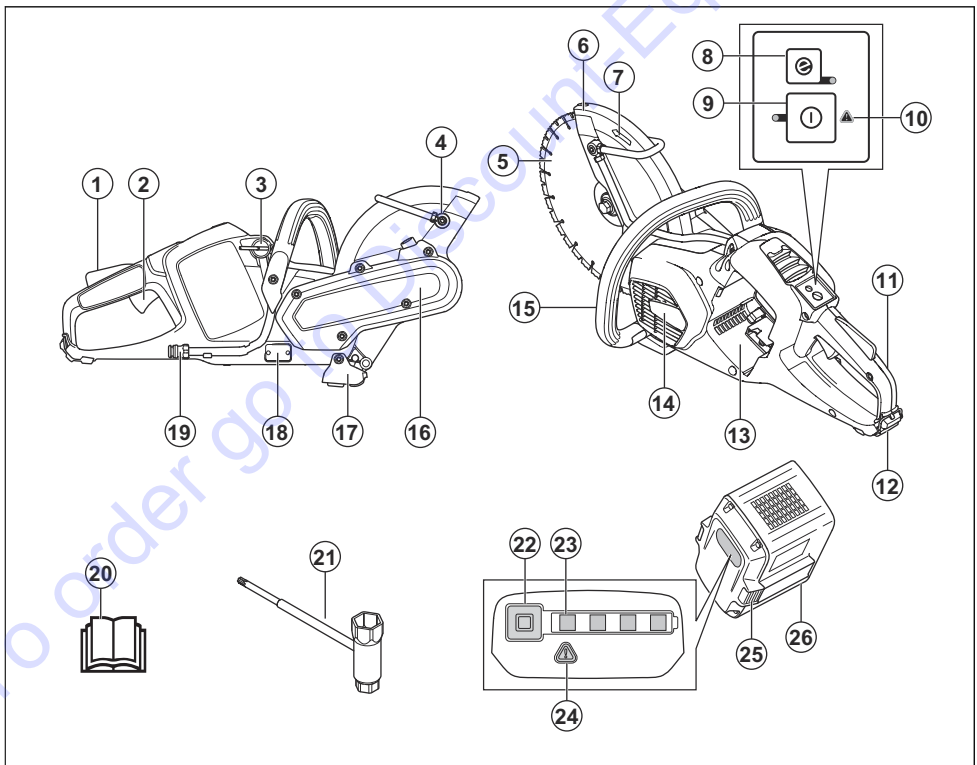
Work is constantly in progress to increase your safety and efficiency during operation. Speak to your servicing dealer for more information.

### Intended use

This product is used to cut roof tiles, garden plates and light concrete.

**Note:** National regulations can limit the operation of the product.

### Product overview



- |                          |                 |
|--------------------------|-----------------|
| 1. Power trigger lockout | 3. Water valve  |
| 2. Power trigger         | 4. Water nozzle |

5. Cutting blade
6. Blade guard
7. Blade rotation
8. SavE button
9. Start and stop button
10. Warning indicator
11. Rear handle with right hand guard
12. Rear ground support with a rope eyelet
13. Battery slot
14. Fan housing
15. Front handle
16. Belt guard
17. Front ground support
18. Type plate
19. Water connection with filter
20. Operator's manual
21. Combination wrench
22. Button, battery status
23. Battery status
24. Warning indicator
25. Battery release button
26. Battery (not included)



Make sure the blade is not cracked or damaged.



Do not use circular saw blades.



**Environmental mark.** The product or package of the product is not domestic waste. Recycle it at a recycling location for electrical and electronic equipment.

## Symbols on the product



Risk of serious injury or death to the operator or others. Be careful and use the product correctly.



Read the manual carefully and make sure you understand the instructions before using the product.



Wear approved protective helmet, breathing protection, hearing and eye protection.



This product obey applicable EC Directives.



Fume from cutting can cause injuries if breathed in. Use an approved breathing protection. Prevent breathe exhaust fumes. Make sure that the airflow is sufficient.



Sparks from the cutting blade can cause fire in flammable materials such as: gasoline, wood, clothes and dry grass.



Kickbacks can be sudden, fast and can cause injuries. Read and understand the instructions in the manual before using the product.

	Direction of blade rotation
yyyywwxxx	The rating plate shows serial number. <b>yyyy</b> is the production year, <b>ww</b> is the production week.
∅	Maximum outside blade diameter
d.c.	Direct Current
n	Rated speed

**Note:** Other symbols/decals on the product refer to certification requirements for some markets.

## Symbols on the battery and/or on the battery charger



Recycle this product at a recycling station for electrical and electronic equipment. (Applies to Europe only)



Fail-safe transformer.



Use and keep the battery charger indoors only.



Double insulation.

## Product liability

As referred to in the product liability laws, we are not liable for damages that our product causes if:

- the product is incorrectly repaired.
- the product is repaired with parts that are not from the manufacturer or not approved by the manufacturer.

- the product has an accessory that is not from the manufacturer or not approved by the manufacturer.
- the product is not repaired at an approved service center or by an approved authority.

---

## Safety

---

### Safety definitions

Warnings, cautions and notes are used to point out specially important parts of the manual.



**WARNING:** Used if there is a risk of injury or death for the operator or bystanders if the instructions in the manual are not obeyed.



**CAUTION:** Used if there is a risk of damage to the product, other materials or the adjacent area if the instructions in the manual are not obeyed.

**Note:** Used to give more information that is necessary in a given situation.

### General power tool safety warnings



**WARNING:** Read all safety warnings and all instructions. Failure to follow the warnings and instructions may result in electric shock, fire and/or serious injury.

**Note:** Save all warnings and instructions for future reference. The term "power tool" in the warnings refers to your mains-operated (corded) power tool or battery-operated (cordless) power tool.

### Work area safety

- **Keep work area clean and well lit.** Cluttered or dark areas invite accidents.
- **Do not operate power tools in explosive atmospheres, such as in the presence of flammable liquids, gases or dust.** Power tools create sparks which may ignite the dust or fumes.
- **Keep children and bystanders away while operating a power tool.** Distractions can cause you to lose control.

### Electrical safety

- **Power tool plugs must match the outlet. Never modify the plug in any way. Do not use any adapter plugs with earthed (grounded) power**

**tools.** Unmodified plugs and matching outlets will reduce risk of electric shock.

- **Avoid body contact with earthed or grounded surfaces, such as pipes, radiators, ranges and refrigerators.** There is an increased risk of electric shock if your body is earthed or grounded.
- **Do not expose power tools to rain or wet conditions.** Water entering a power tool will increase the risk of electric shock.
- **Do not abuse the cord.** Never use the cord for carrying, pulling or unplugging the power tool. Keep cord away from heat, oil, sharp edges or moving parts. Damaged or entangled cords increase the risk of electric shock.
- **When operating a power tool outdoors, use an extension cord suitable for outdoor use.** Use of a cord suitable for outdoor use reduces the risk of electric shock.
- **If operating a power tool in a damp location is unavoidable, use a residual circuit interrupter (RCD) protected supply.** Use of a RCD reduces the risk of electric shock



**CAUTION:** Do not pressure wash the machine, as water can enter the electrical system or the engine and cause damage to the machine or short circuit.

### Personal safety

- **Stay alert, watch what you are doing and use common sense when operating a power tool. Do not use a power tool while you are tired or under the influence of drugs, alcohol or medication.** A moment of inattention while operating power tools may result in serious personal injury.
- **Use personal protective equipment. Always wear eye protection.** Protective equipment such as dust mask, non-skid safety shoes, hard hat, or hearing protection used for appropriate conditions will reduce personal injuries.
- **Prevent unintentional starting. Ensure the switch is in the OFF-position before connecting to a power source and/or battery pack, picking up or carrying the tool.** Carrying power tools with your finger on the switch or energising power tools that have the switch on invites accidents.

- **Remove any adjusting key or wrench before turning the power tool on.** A wrench or a key left attached to a rotating part of the power tool may result in personal injury.
- **Do not overreach. Keep proper footing and balance at all times.** This enables better control of the power tool in unexpected situations.
- **Dress properly. Do not wear loose clothing or jewellery. Keep your hair, clothing and gloves away from moving parts.** Loose clothes, jewellery or long hair can be caught in moving parts.
- **If devices are provided for the connection of dust extraction and collection facilities, ensure these are connected and properly used.** Use of dust collection can reduce dust-related hazards.
- **The vibration emission during actual use of the power tool can differ from the declared total value depending on the ways in which the tool is used.** Operators should identify safety measures to protect themselves that are based on an estimation of exposure in the actual conditions of use (taking account of all parts of the operating cycle such as the times when the tool is switched off and when it is running idle in addition to the trigger).
- **Remain at a distance from the blade when the engine is running.**

## Power tool use and care

- **Do not force the power tool. Use the correct power tool for your application.** The correct power tool will do the job better and safer at the rate for which it was designed.
- **Do not use the power tool if the switch does not turn it on and off.** Any power tool that cannot be controlled with the switch is dangerous and must be repaired.
- **Disconnect the plug from the power source and/or the battery pack from the power tool before making any adjustments, changing accessories, or storing power tools.** Such preventive safety measures reduce the risk of starting the power tool accidentally.
- **Store idle power tools out of the reach of children and do not allow persons unfamiliar with the power tool or these instructions to operate the power tool.** Power tools are dangerous in the hands of untrained users.
- **Maintain power tools. Check for misalignment or binding of moving parts, breakage of parts and any other condition that may affect the power tool's operation.** If damaged, have the power tool repaired before use. Many accidents are caused by poorly maintained power tools.
- **Keep cutting tools sharp and clean.** Properly maintained cutting tools with sharp cutting edges are less likely to bind and are easier to control.
- **Use the power tool, accessories and tool bits etc. in accordance with these instructions, taking into account the working conditions and the**

**work to be performed.** Use of the power tool for operations different from those intended could result in a hazardous situation.

- **Under no circumstances should you modify the original design of the machine without approval from the manufacturer.** Always use original spare parts. Unauthorized modifications and/or accessories may lead to serious injury or death to the user or others.
- **Make sure that no pipes or electrical cables are routed in the working area or in the material to be cut.**
- **Always check and mark out where gas pipes are routed.** Cutting close to gas pipes always entails danger. Make sure that sparks are not caused when cutting in view of the risk of explosion. Remain concentrated and focused on the task. Carelessness can result in serious personal injury or death.

## Battery tool use and care

- **Recharge only with the charger specified by the manufacturer.** A charger that is suitable for one type of battery pack may create a risk of fire when used with another battery pack.
- **Use power tools only with specifically designated battery packs.** Use of any other battery packs may create a risk of injury and fire.
- **When battery pack is not in use, keep it away from other metal objects, like paper clips, coins, keys, nails, screws or other small metal objects, that can make a connection from one terminal to another.** Shorting the battery terminals together may cause burns or a fire.
- **Under abusive conditions, liquid may be ejected from the battery; avoid contact. If contact accidentally occurs, flush with water. If liquid contacts eyes, additionally seek medical help.** Liquid ejected from the battery may cause irritations or burns.

## Service

- **Have your power tool serviced by a qualified repair person using only identical replacement parts.** This will ensure that the safety of the power tool is maintained.

## Cut-off machine safety warning

- **The guard provided with the tool must be securely attached to the power tool and positioned for maximum safety so the least amount of wheel is exposed towards the operator.** Position yourself and bystanders away from the plane of the rotating wheel. The guard helps to protect operator from broken wheel fragments and accidental contact with the wheel.
- **Use only bonded reinforced or diamond cut-off wheels for your power tool.** Just because an accessory can be attached to your power tool, it does not assure safe operation.

- **The rated speed of the accessory must be at least equal to the maximum speed marked on the power tool.** Accessories running faster than their rated speed can break and fly apart.
- **Wheels must be used only for recommended applications. For example, do not grind with the side of the cut-off wheel.** Abrasive cut-off wheels are intended for peripheral grinding, side forces applied to these wheels may cause them to shatter.
- **Always use undamaged wheel flanges that are of correct diameter for your selected wheel.** Proper wheel flanges support the wheel thus reducing the possibility of wheel breakage.
- **Do not use worn down reinforced wheels from larger power tools.** Wheels intended for a larger power tool are not suitable for the higher speed of a smaller tool and may burst.
- **The outside diameter and the thickness of your accessory must be within the capacity rating of your power tool.** Incorrectly sized accessories cannot be adequately guarded or controlled.
- **The arbour size of wheels and flanges must properly fit the spindle of the power tool.** Wheels and flanges with arbour holes that do not match the mounting hardware of the power tool will run out of balance, vibrate excessively and may cause loss of control.
- **Do not use damaged wheels. Before each use, inspect wheels for chips and cracks. If power tool or wheel is dropped, inspect for damage or install an undamaged wheel. After inspecting and installing the wheel, position yourself and bystanders away from the plane of the rotating wheel and run the power tool at maximum no load speed for one minute.** Damaged wheels will normally break apart during this test time.
- **Wear personal protective equipment. Depending on application, use face shield, safety goggles or safety glasses. As appropriate, wear dust mask, hearing protectors, gloves and shop apron capable of stopping small abrasive or workpiece fragments.** The eye protection must be capable of stopping flying debris generated by various operations. The dust mask or respirator must be capable of filtrating particles generated by your operation. Prolonged exposure to high intensity noise may cause hearing loss.
- **Keep bystanders a safe distance away from work area. Anyone entering the work area must wear personal protective equipment.** Fragments of workpiece or a broken wheel may fly away and cause injury beyond immediate area of operation.
- **Hold the power tool by insulated gripping surfaces only, when performing an operation where the cutting accessory may contact hidden wiring.** Cutting accessory contacting a "live" wire may make exposed metal parts of the power tool "live" and could give the operator an electric shock.
- **Never lay the power tool down until the accessory has come to a complete stop.** The

spinning wheel may grab the surface and pull the power tool out of your control.

- **Do not run the power tool while carrying it at your side.** Accidental contact with the spinning accessory could snag your clothing, pulling the accessory into your body.
- **Regularly clean the power tool's air vents.** The motor's fan will draw the dust inside the housing and excessive accumulation of powdered metal may cause electrical hazards.
- **Do not operate the power tool near flammable materials.** Sparks could ignite these materials.

## Kickback and related warnings

- **Kickback is a sudden reaction to a pinched or snagged rotating wheel.** Pinching or snagging causes rapid stalling of the rotating wheel which in turn causes the uncontrolled power tool to be forced in the direction opposite of the wheel's rotation at the point of the binding.
- **For example, if an abrasive wheel is snagged or pinched by the workpiece, the edge of the wheel that is entering into the pinch point can dig into the surface of the material causing the wheel to climb out or kick out.** The wheel may either jump toward or away from the operator, depending on direction of the wheel's movement at the point of pinching. Abrasive wheels may also break under these conditions.
- **Kickback is the result of power tool misuse and/or incorrect operating procedures or conditions and can be avoided by taking proper precautions as given below.**
- **Maintain a firm grip on the power tool and position your body and arm to allow you to resist kickback forces.** Always use auxiliary handle, if provided, for maximum control over kickback or torque reaction during start-up. The operator can control torque reactions or kickback forces, if proper precautions are taken.
- **Never place your hand near the rotating accessory.** Accessory may kickback over your hand.
- **Do not position your body in line with the rotating wheel.** Kickback will propel the tool in direction opposite to the wheel's movement at the point of snagging.
- **Use special care when working corners, sharp edges etc.** Avoid bouncing and snagging the accessory. Corners, sharp edges or bouncing have a tendency to snag the rotating accessory and cause loss of control or kickback.
- **Do not attach a saw chain, woodcarving blade, segmented diamond wheel with a peripheral gap greater than 10 mm or toothed saw blade.** Such blades create frequent kickback and loss of control.
- **Do not "jam" the wheel or apply excessive pressure.** Do not attempt to make an excessive depth of cut. Overstressing the wheel increases the

- loading and susceptibility to twisting or binding of the wheel in the cut and the possibility of kickback or wheel breakage.
- **When wheel is binding or when interrupting a cut for any reason, switch off the power tool and hold the power tool motionless until the wheel comes to a complete stop.** Never attempt to remove the wheel from the cut while the wheel is in motion otherwise kickback may occur. Investigate and take corrective action to eliminate the cause of wheel binding.
  - **Do not restart the cutting operation in the workpiece.** Let the wheel reach full speed and carefully re-enter the cut. The wheel may bind, walk up or kickback if the power tool is restarted in the workpiece.
  - **Support panels or any oversized workpiece to minimize the risk of wheel pinching and kickback.** Large workpieces tend to sag under their own weight. Supports must be placed under the workpiece near the line of cut and near the edge of the workpiece on both sides of the wheel.
  - **Use extra caution when making a “pocket cut” into existing walls or other blind areas.** The protruding wheel may cut gas or water pipes, electrical wiring or objects that can cause kickback.

## General safety instructions



**WARNING:** Read the warning instructions that follow before you use the product.

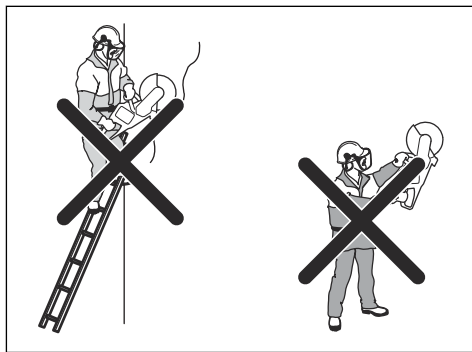
- This product is a dangerous tool and can cause serious injury if it is not used careful or if used incorrectly. It is very important that you read and understand the contents of this manual.
- Do not change the product without an approval from the manufacturer. Do not use a product that has been changed by others and always use original accessories. Changes that are not approved from the manufacturer can result in serious injury or death to the operator or others.
- Keep the product clean. Signs and decals must be fully visual.
- This product produces an electromagnetic field during operation. This field may under some circumstances interfere with active or passive medical implants. To decrease the risk of serious injury or death, we recommend persons with medical implants to turn to their physician and the medical implant manufacturer before operating this product.

## Safety instructions for operation



**WARNING:** Read all safety warnings and all instructions. Failure to follow the warnings and instructions may result in electrical shock, fire and/or serious injury.

- Do not cut asbestos materials.
- When dry cutting, make sure the dust is removed safely.
- The information in this manual is not a replacement for professional knowledge and experience. If you do not feel safe in the situation that you are in, stop the product. Do not use the product in unknown situations.
- Turn to Discount-equipment if you have questions about the operation of the product. We can give you information about how to operate your product safely with best result.
- Do not use a product, battery or battery charger that is defective.
- Do not touch a rotating cutting blade. It can cause serious injuries or death.
- Do not use the product in bad weather, for example, heavy fog or rain, strong wind and intense cold. Bad weather add risks such as ice on the ground.
- Do not start a product unless all covers and guards are assembled correctly.
- Look around you. Make sure that there is no risk that persons or animals touch or influence on your control of the product.
- Do not let children use or be near the product. The product is easy to start. This can mean a risk of serious injury.
- Remove the battery when you do not have full view of the product. Remove the battery if you will not use the product for a long time.
- You must be stable on your feet in order to have full control of the product. Do not use the product if you are on a ladder. Do not use the product if you are not on stable ground.
- Do not use the product above shoulder height.





- If you are not careful, the risk of kickback increases.



- Use approved hearing protection. Long-term exposure to noise can result in permanent damage to the hearing.
- Use protective glasses or a face visor to decrease the risk of injury from particles and dust. This can result in serious injury, especially to the eyes.
- Use heavy duty protective gloves.
- Use boots with steel toe-cap and non-slip sole.
- Always have a first aid kit with you.

## Safety devices on the product

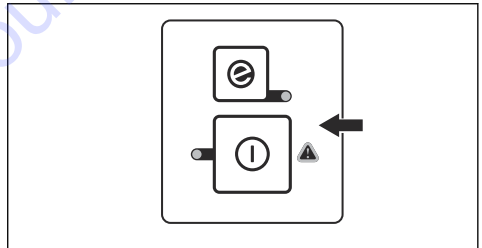


**WARNING:** Read all safety warnings and all instructions. Failure to follow the warnings and instructions may result in electrical shock, fire and/or serious injury.

- Do not hold the product with one hand. This product is not safely controlled with one hand.
- Do not use a product in a situation where you can not get for support if an accident occurs.
- Make sure that you can move around safely. Examine the conditions and the terrain around you for possible obstacles.
- Overexposure to vibration can lead to circulatory damage or nerve damage in people who have impaired circulation. Contact your doctor if you experience symptoms of overexposure to vibration. Such symptoms include numbness, loss of feeling, tingling, pricking, pain, loss of strength, changes in skin colour or condition. These symptoms normally appear in the fingers, hands or wrists. These symptoms may be increased in cold temperatures.
- It is not possible to include each possible situation you can face when you use this product. Always be careful and use your common sense.

## Keypad

The warning indicator flashes if there is a risk of overload. The overload protection temporarily stops the product and you can not use the product until the temperature restores. If the indicator shows a solid light, turn to your servicing dealer.



## The automatic stop function

The product has an automatic stop function that stops the product if you do not use it for one minute.

## Power trigger lockout

The power trigger lockout prevents accidental operation of the power trigger. If you put your hand around the handle and press the power trigger lockout (A), it releases the power trigger (B). If you release the handle,

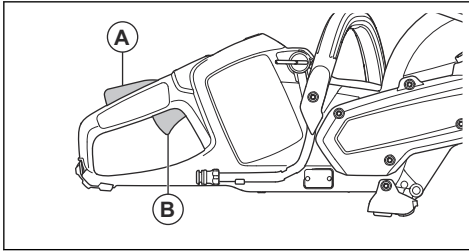
## Personal protective equipment



**WARNING:** Read all safety warnings and all instructions. Failure to follow the warnings and instructions may result in electrical shock, fire and/or serious injury.

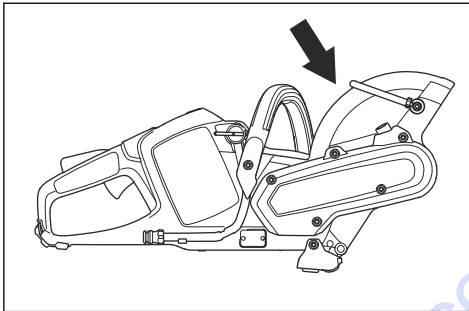
- You must use approved personal protective equipment during operation. Personal protective equipment does not give you full protection from injuries but it decreases the degree of injury if an accident occurs. Speak to your servicing dealer for recommendations about which equipment to use.
- Your clothing must be close-fitting but not limit your movements. Regularly do a check of the condition of the personal protective equipment.
- Use an approved protective helmet.
- Use approved respiratory protection.

the power trigger and the power trigger lockout move back to their initial positions.



## Blade guard

The blade guard protects the cutting particles to damage the user. The protection prevents parts from loosening and damaging the user



## Battery safety



**WARNING:** Read all safety warnings and all instructions. Failure to follow the warnings and instructions may result in electrical shock, fire and/or serious injury.

- Only use the Husqvarna BLi batteries that we recommend for your product. The batteries are software encrypted.
  - Use the Husqvarna BLi batteries that are rechargeable as a power supply for the related Husqvarna products only. To prevent injury, do not use the battery as a power supply for other devices.
  - Risk of electrical shock. Do not connect the battery terminals to keys, screws or other metal. This can cause a short circuit of the battery.
  - Do not use batteries that are non-rechargeable.
  - Do not put objects into the air slots of the battery.
  - Keep the battery away from sunlight, heat or open flame. The battery can blow up and cause burns and/or chemical burns.
  - Keep the battery away from rain and wet conditions.
  - Keep the battery away from microwaves and high pressure.
  - Do not try to disassemble or break the battery.
- Do not let battery acid touch your skin. Battery acid causes injuries to the skin, corrosion and burns. If you get battery acid in your eyes, do not rub but flush with water for minimum 15 minutes. If battery acid has touched your skin, you must clean the skin with a large quantity of water and soap. Get medical aid.
  - Use the battery in temperatures between -10 °C (14 °F) and 40 °C (104 °F).
  - Do not clean the battery or the battery charger with water. See *To clean the battery and the battery charger on page 20*.
  - Do not use a defective or damaged battery.
  - Keep batteries in storage away from metal objects such as nails, screws or jewelry.
  - Keep the battery away from children.

## Battery charger safety



**WARNING:** Read all safety warnings and all instructions. Failure to follow the warnings and instructions may result in electrical shock, fire and/or serious injury.

- Risk of electrical shock or short circuit if the safety instructions are not obeyed.
- Do not use other battery chargers than the one supplied for your product. Only use Husqvarna QC chargers when you charge Husqvarna replacement batteries BLi.
- Do not try to disassemble the battery charger.
- Do not use a defective or damaged battery charger.
- Do not lift the battery charger by the power cord. To disconnect the battery charger from a mains socket, pull out the plug. Do not pull the power cord.
- Keep all cables and extension leads away from water, oil and sharp edges. Make sure that the cable is not caught between doors, fences or equivalent.
- Do not use the battery charger near flammable materials or materials that can cause corrosion. Make sure that the battery charger is not covered. Pull out the plug to the battery charger if there is smoke or fire.
- Only charge the battery indoors in a location with good airflow and away from sunlight. Do not charge the battery outdoors. Do not charge the battery in wet conditions.
- Only use the battery charger where the temperature is between 5 °C (41 °F) and 40 °C (104 °F). Use the charger in an environment which has a good airflow, dry and free from dust.
- Do not put objects into the air slots of the battery charger.
- Do not connect the battery charger terminals to metal objects as this can short circuit the battery charger.
- Do not charge non-rechargeable batteries in the battery charger or use them in the machine.
- Use approved mains sockets that are not damaged.

## Safety instructions for maintenance



**WARNING:** Read the warning instructions that follow before you do maintenance on the product.

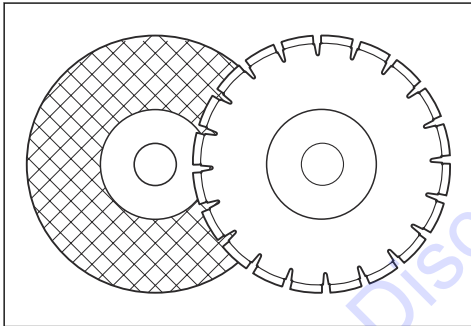
- Remove the battery before you do maintenance, other checks or assemble the product.
- The operator must only do the maintenance and servicing shown in this operator's manual. Turn to your servicing dealer for maintenance and servicing of a larger extension.
- Do not clean the battery or the battery charger with water. Strong detergent can cause damage to the plastic.

- If you do not do maintenance, it decreases the life cycle of the product and increases the risk of accidents.
- Special training is necessary for all servicing and repair work, especially for the safety devices on the product. If not all checks in this operator's manual are approved after you have done maintenance, turn to your servicing dealer. We guarantee that there are professional repairs and servicing available for your product.
- Only use original spare parts.

## Assembly

### Applicable cutting blades

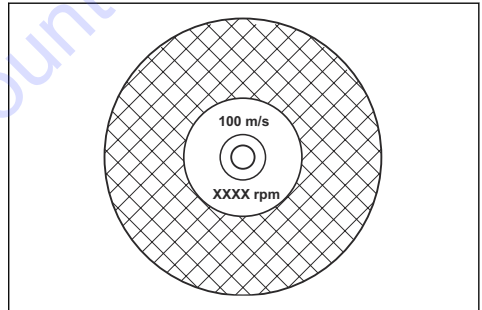
Cutting blades for Husqvarna K 535i are available in two basic models: abrasive blades and diamond blades.



are in compliance with national or regional standards.

**Note:** Only cut materials approved in the instruction supplied with the blade.

Check that the blade is approved for the same or higher speed written on the type plate of the power cutter.



### Cutting blades for handheld high speed power cutters



**WARNING:** Only use diamond blades and abrasive blades for concrete. Do not use blades with serrations such as circular wood cutting blades or blades with carbide tips. The risk of kickback is increased and carbide tips can come off and be thrown at high speed. This can result in injury or death.

### Blade vibration



**CAUTION:** If you use the product with too much force, the blade can get too hot, bend and cause vibrations. Use the product with less force. If the vibrations continues, replace the blade.



**WARNING:** Incorrect use can cause the blade to become too hot. A blade that is too hot can cause malfunction, which can cause damage and injury.

### Abrasive blades



**WARNING:** Do not use abrasive blades with water. The strength is impaired when abrasive blades are exposed to water or moisture, which results in an increased risk of the blade breaking.



**WARNING:** Do not use a cutting blade with a lower maximum speed than that of the power cutter. Only use cutting blades that

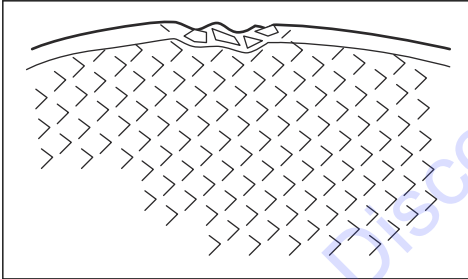


**CAUTION:** Cutting with abrasive blade is not allowed with the Vac attachment. Use of abrasive blades causes unnatural wear on the Vac attachment.

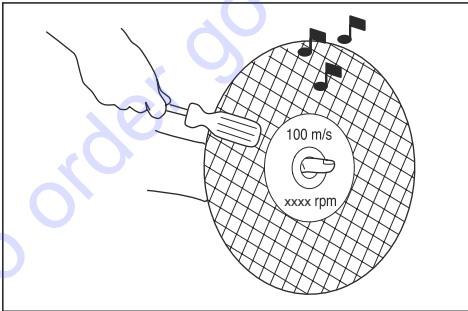


**CAUTION:** Do not use abrasive blades with thickness exceeding maximum recommended thickness, refer to *Technical data on page 22*

- Do not use worn reinforced wheels from larger power tools. Wheels intended for a larger power tool are not suitable for the higher speed of a smaller tool and may burst.
- The cutting material on abrasive blades consists of a grit bonded agent using an organic binder. Reinforced blades are made up of a fabric or fibre base that prevents total breakage at maximum working speed if the blade should be cracked or damaged.
- A cutting blade's performance is determined by the type and size of abrasive corn, and the type and hardness of the bonding agent.
- Ensure the cutting blade is not cracked or damaged.



- Test the abrasive blade by hanging it on your finger and tapping it lightly with a screwdriver or the like. If the blade does not produce a resonant, ringing sound it is damaged.



- Ensure that correct abrasive blade is used on the intended material.

## Diamond blades



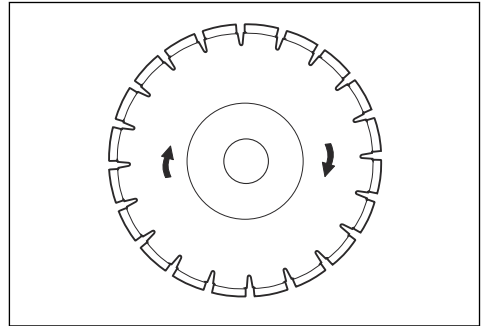
**WARNING:** Never use a diamond blade to cut plastic material. The heat produced during cutting may melt the plastic and it can stick to the cutting blade and cause a kickback.



**WARNING:** Diamond blades become very hot when used. An overheated blade is a result of improper use, and may cause deformation of the blade, resulting in damage and injuries.

**Note:** Sharpen the blade by cutting soft material such as sandstone or block.

- Always use a sharp diamond blade.
- Diamond blades can become dull when the wrong feeding pressure is used or when cutting certain materials such as heavily reinforced concrete. Working with a dull diamond blade causes overheating, which can result in the diamond segments coming loose.
- Diamond blades consist of a steel core provided with segments that contain industrial diamonds.
- Diamond blades are ideal for masonry, concrete and other composite materials.
- When using diamond blade make sure that it rotates in the direction indicated by the arrow on the blade.



## Wet cutting



**CAUTION:** Do not use Vac equipment together with the wet system.

- Diamond blades for wet cutting must be used with the wet system.
- Water cool the blade and increases its service life while also decrease the dust.
- When wet cutting, make sure to collect the waste water safely.

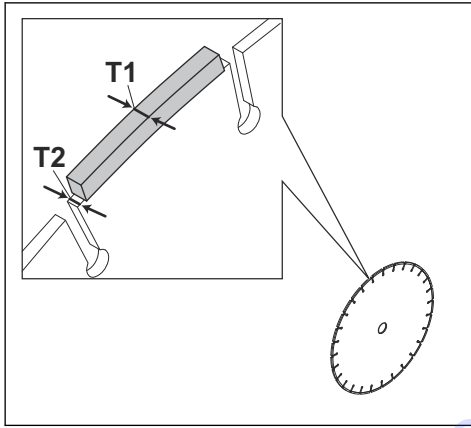
## Dry cutting

- When dry cutting, lift the blade out from the cut each 30–60 seconds and let it rotate in the air for 10 seconds to let it cool.
- Use Vac equipment if possible.

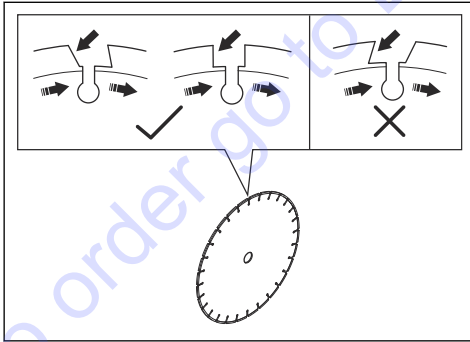
## Diamond blade - requirements



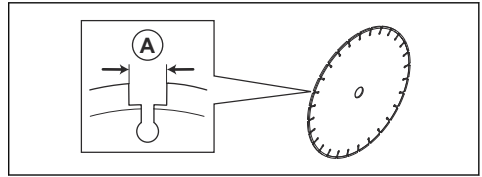
**WARNING:** Make sure the diamond segment (T1) is wider than the blade (T2). This is to prevent pinching in the cutting slot and a kickback.



**CAUTION:** Do not use diamond blades with positive rake angles.



**CAUTION:** Do not use diamond blades with greater gap between segments than max 10 mm (A).



**CAUTION:** Do not use diamond blades with greater blade thickness than recommended maximum, refer to *Technical data on page 22*.



**CAUTION:** Some cutting situations and worn blades may cause increased wear on the side of the segments. Replace the blade before it is worn out.

## To examine the spindle shaft and flange washers

Examine the flange washers and the spindle shaft when the blade is replaced.



**CAUTION:** Use only flange washers supplied by Husqvarna with minimum diameter 60 mm/2.4 in.

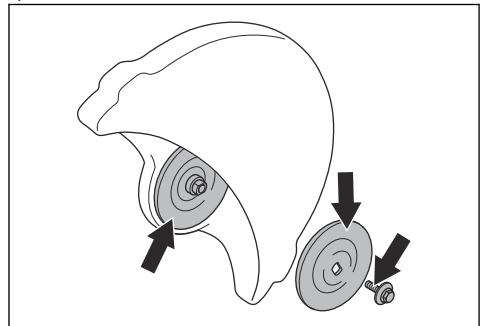


**CAUTION:** Do not use damaged, defective or dirty flange washers.



**CAUTION:** Do not use different dimensions of flange washers.

- Make sure that the threads on the spindle shaft are not damaged.
- Make sure that the surfaces on the blade and the flange washers are not damaged, of the correct dimension, clean, and that they run correctly on the spindle shaft.

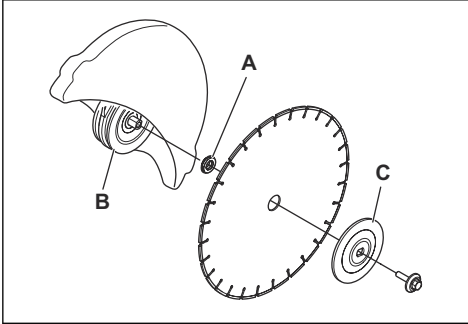


## To examine the arbor bushing

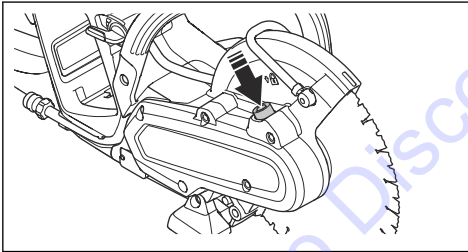
- Use only Husqvarna arbor bushings.
- Make sure that the arbor bushing has the correct dimension for the cutting blade. The correct dimension is printed on the cutting blade.

## To attach the cutting blade

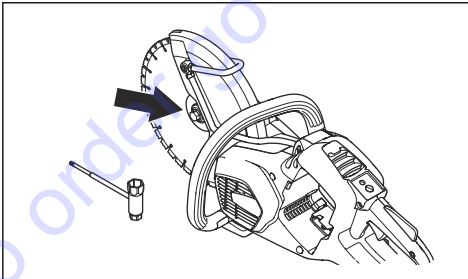
1. The cutting blade is put on the bushing (A) between the inner flange washer (B) and the flange washer (C). The flange washer is turned to attach to the axle.



2. Lock the shaft.



3. Tighten the bolt. The tightening torque for the bolt holding the cutting blade is 30 Nm (18,5 ft-lbs).



## To examine the blade and the blade guard



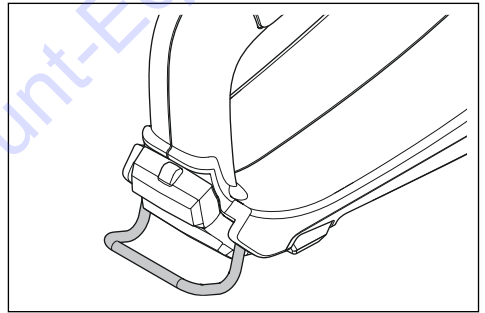
**WARNING:** A damaged cutting blade can cause injury.

1. Make sure that the cutting blade is attached correctly and does not show signs of damage.
2. Make sure that the blade guard has no cracks or is damaged.
3. Replace the blade guard if it is damaged. See *To attach the cutting blade on page 13*

## Rope eyelet

The product has a rope eyelet. The rope eyelet can be used to lift and lowering the product. Attach an applicable strop to the rope eyelet to use it for lift and lowering.

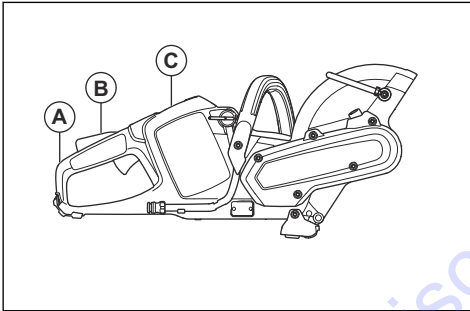
The rope eyelet can be used to attach the product to a solid object to prevent it from fall and damage persons or equipment.



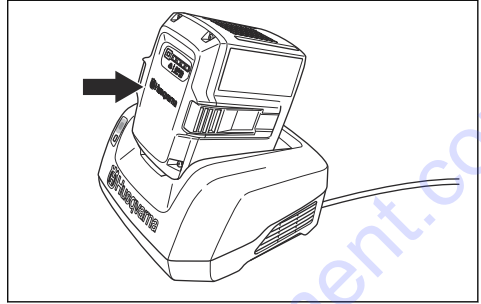
## Operation

### To do a function check before you use the product

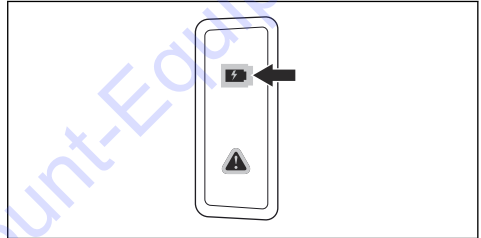
1. Do a check of the rear right hand guard (A) to make sure that it is not damaged.
2. Do a check of the power trigger lockout (B) to make sure that it operates correctly and that it is not damaged.
3. Do a check of the keypad (C) to make sure that it operates correctly.
4. Do a check to make sure that all parts and guards are correctly attached and not damaged or missing.
5. Charge the battery and make sure that it is correctly attached to the product.
6. Make sure that the power cutter stops when you release the power trigger.



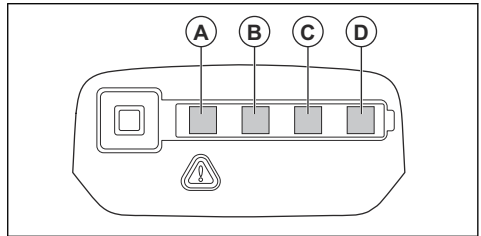
2. Put the battery in the battery charger.



3. Make sure that the green charging light on the battery charger comes on. That means that the battery is connected correctly to the battery charger.



4. When all LEDs on the battery come on, the battery is fully charged.



5. To disconnect the battery charger from the mains socket, pull the plug. Do not pull the cable.
6. Remove the battery from the battery charger.

**Note:** Refer to the battery and battery charger manuals for more information.

### To connect the battery charger

1. Connect the battery charger to the voltage and frequency that is specified on the rating plate.
2. Put the plug in a grounded socket outlet. The LED on the battery charger flashes green one time.

**Note:** The battery does not charge if the battery temperature is more than 50 °C/122 °F. If the temperature is more than 50 °C/122 °F, the battery charger makes the battery become cool before the battery charges.

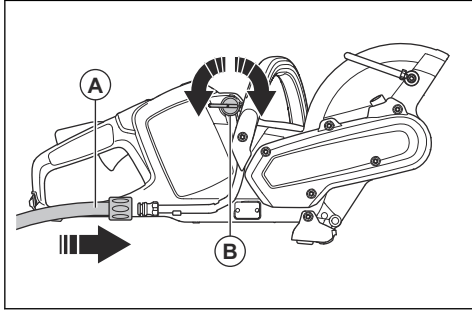
### To connect the battery to the battery charger

**Note:** Charge the battery if it is the first time that you use it. A new battery is only 30% charged.

1. Make sure that the battery is dry.

## To connect coolant water

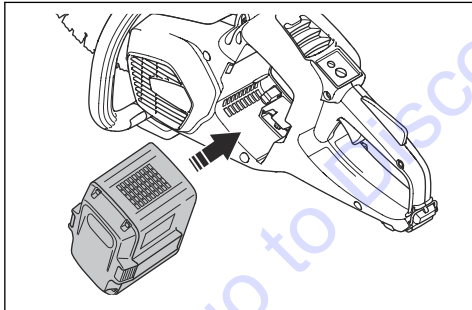
1. Connect the water hose to the water supply (A).



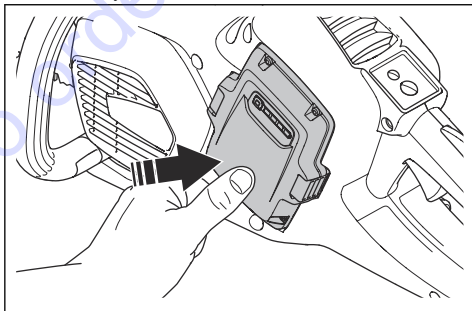
2. Turn the water tap (B) to let the water go or stop.
3. Examine if leakage occurs in the water connection or the hose.
4. Make sure water pressure do not go by maximum permitted water pressure, refer to *Technical data*.

## To start the product

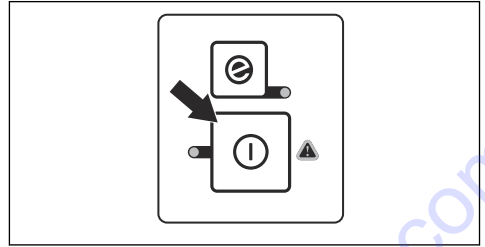
1. Do a check of the power trigger and power trigger lockout. See *To do a check of the power trigger lockout on page 19*.
2. Put the battery in the battery holder.



3. Press on the lower part of the battery until you hear a click sound. If the battery does not move into the battery holder easily, it is not attached correctly into the battery holder.



4. Press and hold the start/stop button until the green LED light comes on.

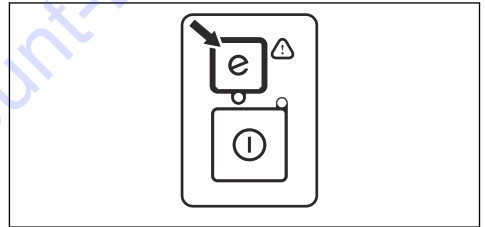


## To use the SavE function

This product has a power saving function, SavE. The SavE function decreases the blade speed and gives the longest operation time from the battery.

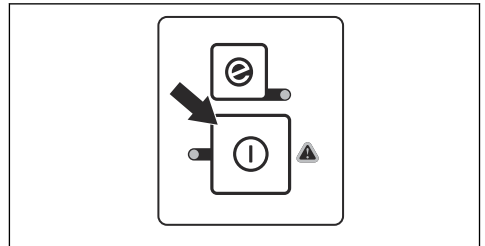
**Note:** The SavE function does not decrease the cutting power of the product.

1. Press the SavE button on the keypad.
2. Make sure that the green LED comes on.
3. Press the SavE button again to disconnect the function. The green LED goes out.



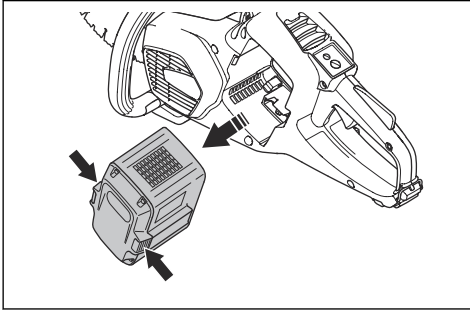
## To stop the product

1. Press and hold the start/stop button on the keypad until the green LED light goes out.





2. Press the battery release buttons and remove the battery from the battery holder.



**WARNING:** Remove the battery when you do not use or when you do not have full vision of the product. This is to prevent accidental start.

## Basic working techniques



**WARNING:** Do not move the power cutter to the side. This can prevent the free movement of the blade and cause the blade to break, which can cause an injury.

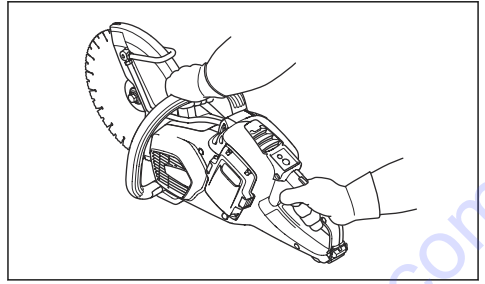


**WARNING:** Do not use the side of the blade. The blade can become damaged and broken, which can cause an injury. Use only the cutting edge.

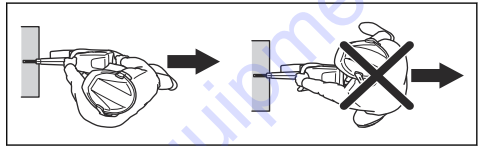


**WARNING:** Do not use a diamond blade to cut plastic material. The heat that occurs can melt the plastic. Melted plastic can attach to the cutting blade and cause a kickback.

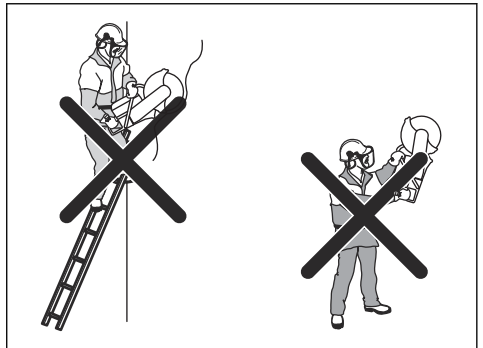
- The product is made for high speed diamond blades approved for handheld power cutters.
- The product is made to cut in to tiles, light concrete and stone. Use only for this type of operation.
- Make sure that the cutting blade does not show signs of damage and that it is attached correctly, see *Abrasive blades on page 10* and *To attach the cutting blade on page 13*.
- Make sure to use the correct cutting blade for the type of operation, see *Cutting blades for handheld high speed power cutters on page 10*.
- Do not cut asbestos material.
- Always hold the power cutter with 2 hands. Always hold the product tightly with thumbs and fingers around the handles. Always hold the rear handle with the right hand and the front handle with the left hand.



- Always be parallel to the cutting blade. Do not be linearly behind the cutting blade. If there is a kickback, the power cutter moves in the plane of the cutting blade.

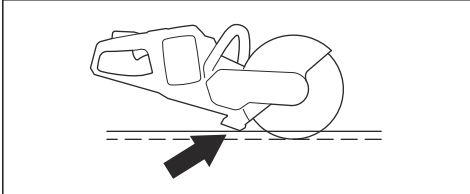


- Keep a safe distance to the cutting blade when the engine operates.
- Make sure that you are in a stable position during operation.
- Keep applicable distance from the object you are cutting.
- Do not operate above shoulder height. Use a platform or scaffold if the cutting operation is above shoulder height. Do not overreach.
- Do not operate from a ladder.

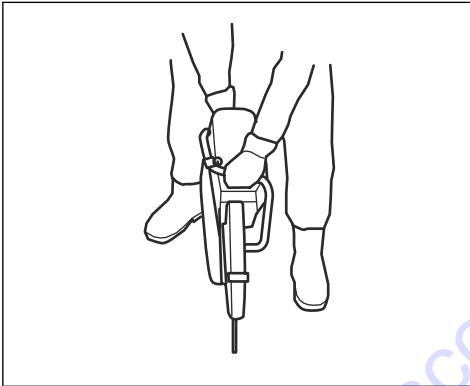


- Make sure that the cutting blade is free when the engine is started.
- Always monitor the product when the engine operates.
- Do not move the product when the cutting blade rotates. The product has a electrical retarder to decrease the blade stop time.
- Make sure that the front ground support is flush with the work piece at the rear. The blade guard collects

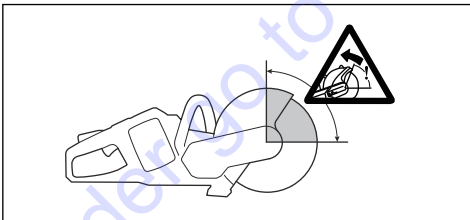
spray and dust and moves them away from the operator.



- Cut with full throttle. Keep full rotating speed until the cutting operation is completed.
- Push the cutting blade lightly against the object you are cutting. Do not use force.
- Align the cutting blade with the cut.



- Move the cutting blade slowly forward and rearward to decrease the area between the cutting blade and the material. This decreases the temperature of the cutting blade.



- Do not cut with the kickback zone of the blade, see *Kickback on page 17*.

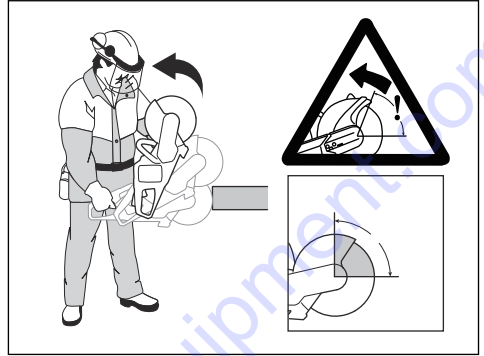
## Kickback



**WARNING:** Kickbacks are sudden and can be very dangerous. The product can be moved up and rearward in the direction of the operator in a rotating movement. Injury or death is a possible result of a kickback. Make sure you understand the causes of

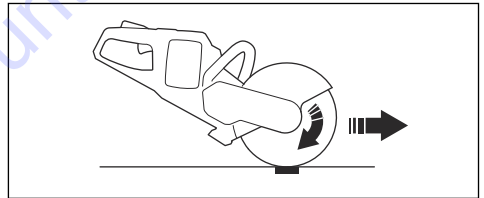
kickbacks and how to prevent them before you use the product.

A kickback occurs when the blade is pinched in the kickback zone. Usually they are not dangerous but a strong kickback can cause injury or death.



## Reactive force

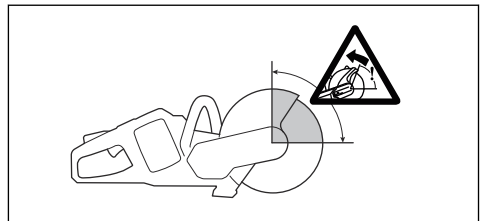
- A reactive force pulls the product in the opposite direction of the blade movement. Most of the time this force is not strong. If the blade is pinched the strength of the reactive force can cause a kickback.



- Do not tilt the product when the cutting equipment rotates. Centrifugal forces can decrease movement.

## Kickback zone

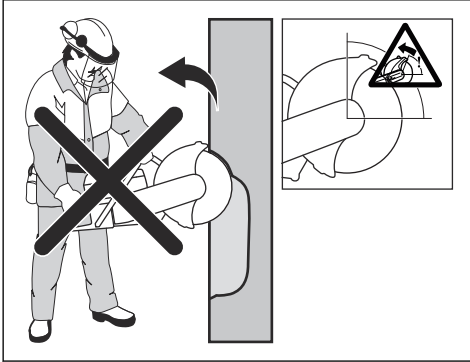
- Do not cut with the kickback zone of the cutting blade. If the blade is pinched in the kickback zone, the reactive force rotates the product up and back. It can hit the operator and can result in injury or death.



## Climbing kickback,

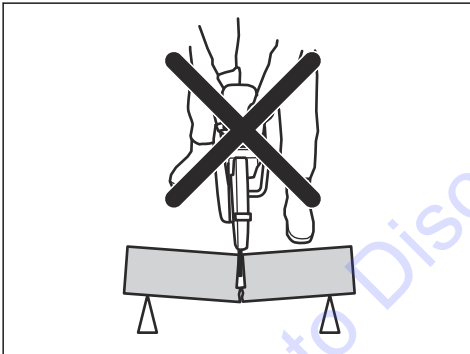
- Do not use the kickback zone. When the kickback zone is used for cutting, the reactive force moves the

blade up into the cut. Use the lower part of the blade to prevent climbing kickback.



### Pinching kickback

- A blade is pinched when the cut closes and stops the turning of the blade. If the blade is pinched, the strength of the reactive force can cause loss a kickback.



- Make sure that the work piece is held to keep the cut open during a cutting operation. Make an estimate of the possible movement of the work piece during last phase of the cutting operation. Make sure that the cut opens during the cutting operation. A cut that closes can cause a pinching kickback.

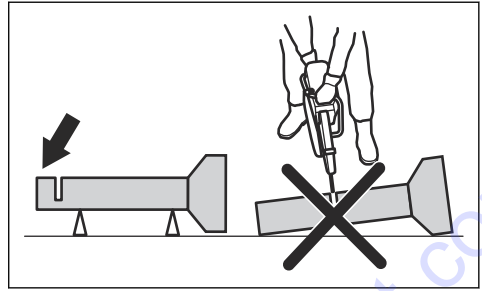
### To cut into pipes



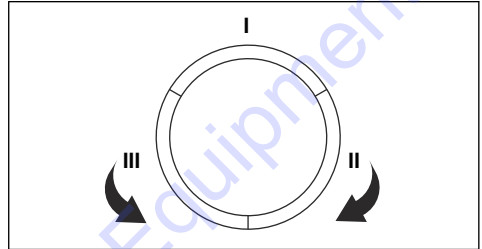
**WARNING:** If the blade is pinched in the kickback zone it will cause a kickback.

Be careful when cutting in pipes. The pipe is must kept in place correctly and the cut kept open through out the cutting. If not, the blade can be pinched. Be especially careful when cutting a pipe with a bell end or a pipe in a ditch. If it does not have correct support the blade can be pinched.

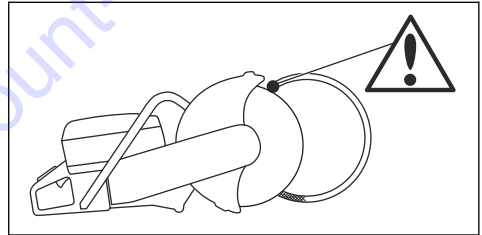
1. Make sure the pipe does not move during cutting.



2. Cut with section "I".



3. Make sure that the cut opens to prevent pinching.



4. Move to side II and cut from section I to the bottom of the pipe.
5. Move to side III and cut the remaining part of the pipe.
6. Make sure the pipe is kept in place correctly. The end of the pipe must move down during the cutting.

### To prevent pinching



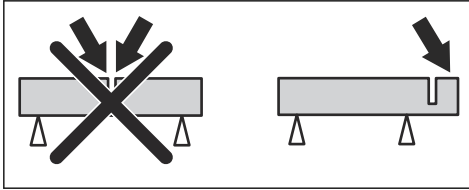
**WARNING:** Do not let the cut close during a cutting operation. A cut that closes can cause pinching, which can cause a kickback or damage to the cutting blade.



**WARNING:** Be careful when the cutting blade is put in a cut that was there before.

- Make sure that the work piece cannot move during a cutting operation.
- Make sure that the work piece is held to keep the cut open during a cutting operation.

- Make an estimate of the possible movement of the work piece during the last phase of the cutting operation.
- Make sure that the cut opens during the cutting operation.



## To manage dust

- The product has a low flushing water kit. Use wet cutting when possible. See instructions in *To connect coolant water on page 15*. The correct flow is different for different types of tasks. If the water hose comes off at the supply source, the supplied water pressure can be too high. See *Technical data on page 22* for recommended water pressure.
- Adjust the water flow with the valve.

## Maintenance

### Introduction



**WARNING:** Read and understand the safety chapter before you do maintenance work on the product.



**WARNING:** Remove the battery before you do maintenance on the product.

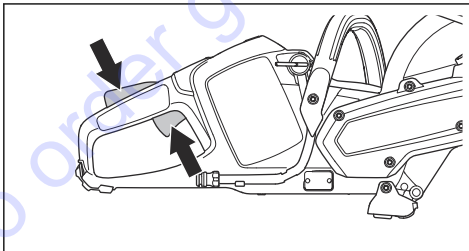


**WARNING:** Failure to do maintenance correctly can decrease the product life cycle and increase the risk of accidents. All servicing and/or repair work must also be done by a professional. Turn to your servicing dealer for more information.

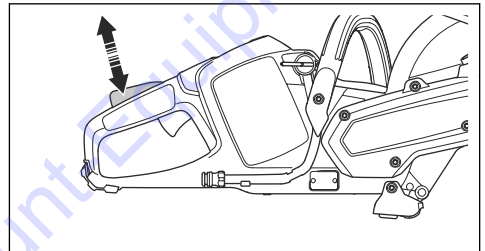
### Maintenance and checks of the safety devices on the product

#### To do a check of the power trigger lockout

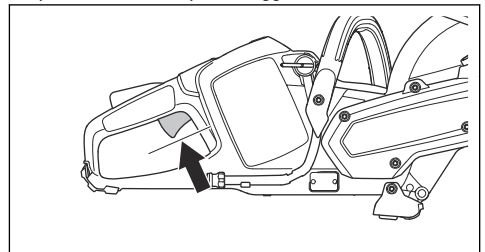
1. Make sure that the power trigger and power trigger lockout move freely and that the return spring works correctly.



2. Press down the power trigger lockout and make sure that it goes back to its initial position when you release it.



3. Make sure that the power trigger is locked at the idle position when the power trigger lockout is released.

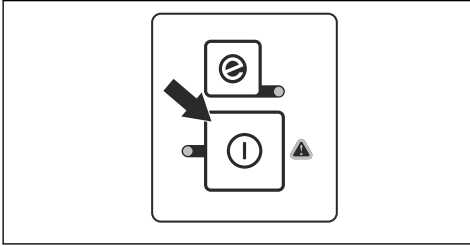


4. Start the product and apply full power.
5. Release the power trigger and make sure that the cutting blade stops. If the cutting blade rotates when the power trigger is in the idle position, turn to your servicing dealer.

#### To do a check of the keypad

1. Start the product. See *To do a check of the power trigger lockout on page 19*
2. Press the start/stop button again.

3. Make sure that the product stops when you press and hold the button. The green LED will go off.



## To clean the battery and the battery charger

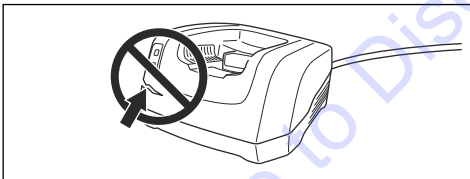


**CAUTION:** Do not clean the battery or the battery charger with water.

- Make sure that the battery and the battery charger are clean and dry before you put the battery into the battery charger.
- Clean the battery terminals with compressed air or use a soft and dry cloth.
- Clean the surfaces of the battery and the battery charger with a soft and dry cloth.

## To do a check of the battery charger

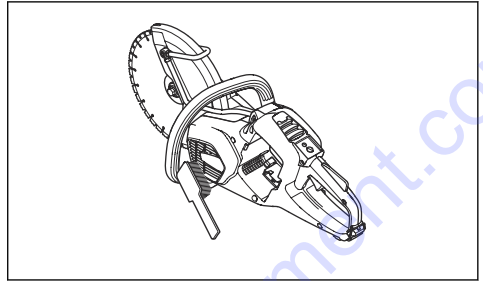
1. Make sure that the battery charger and the power supply cord are not damaged. Look for cracks and other defects.



## To clean the cooling system

The product has a cooling system that keeps the temperature of the product as low as possible.

The cooling system includes an air intake on the left side of the product and a fan on the motor.



1. Clean the cooling system with a brush weekly or more frequently if necessary.
2. Make sure that the cooling system is not dirty or blocked.



**CAUTION:** A dirty or blocked cooling system can cause the product to become too hot.

## Maintenance schedule



**WARNING:** Remove the battery before you do maintenance.

The following is a list of the maintenance steps that you must do on the product.

Maintenance	Before use	Weekly	Monthly
Clean the external parts of the product.	X		
Make sure that the power trigger and the power trigger lockout function correctly from a safety point of view.	X		
Do a check of the cutting blade. Look for cracks and make sure that the cutting blade is not unusually worn. Replace if necessary.	X		
Clean the fan housing on the product.	X		
Make sure that the screws and nuts are tight.	X		
Make sure that the keypad works correctly and that it is not damaged.	X		
Do a check of the connections between the battery and the product. Do a check of the connection between the battery and the battery charger.			X

Maintenance	Before use	Weekly	Monthly
Blow through the product and battery soft with compressed air.			X

## Troubleshooting

### Keypad

Problem	Cause	Solution
Warning indicator flashing.	Temperature deviation.	Let the product to cool down.
	Overload. Cutting attachment is clogged.	Clean the cutting attachment.
	The power trigger and the start button are pressed at the same time.	Release the power trigger.
Green LED flashing.	Low battery voltage.	Charge the battery.
Warning indicator is on.	Service.	Turn to your servicing dealer.

### Battery

Problem	Cause	Solution
Warning indicator flashing.	The battery is not charged.	Charge the battery.
	Temperature deviation.	Use the battery in an environment where temperature are between -10 °C/14°F and 40°C/104°F.
	To high voltage.	Check that the voltage on the battery is the same as the voltage on the rating plate on the product. Remove the battery from the battery charger.
Warning indicator is on.	Battery cells difference is too much (1V).	Turn to your servicing dealer.

### Battery charger

Problem	Casue	Solution
Warning indicator flashing.	Temperature deviation.	Use the battery an environment where temperatures are between 5°C/41°F and 40°C/104°F.
Warning indicator is on.		Turn to your servicing dealer.

## Transportation, storage and disposal

### Transportation and storage

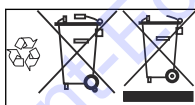
- The supplied Li-ion batteries obey the Dangerous Goods Legislation requirements.
- Obey the special requirement on package and labels for commercial transportation, including by third parties and forwarding agents.
- Speak to a person with special training in dangerous material before you send the product. Obey all applicable national regulations.
- Use tape on open contacts when you put the battery in a package. Put the battery in the package tightly to prevent movement.
- Remove the battery for storage or transportation.
- Put the battery and the battery charger in a space that is dry and free from moisture and frost.
- Do not keep the battery in an area where static electricity can occur. Do not keep the battery in a metal box.
- Put the battery in storage where the temperature is between 5 °C (41 °F) and 25 °C (77 °F) and away from open sunlight.
- Put the battery charger in storage where the temperature is between 5 °C (41 °F) and 45 °C (113 °F) and away from open sunlight.
- Charge the battery 30% to 50% before you put it in storage for long periods.
- Put the battery charger in storage in a space that is closed and dry.

- Keep the battery away from the battery charger during storage. Do not let children and other not approved persons to touch the equipment. Keep the equipment in a space that you can lock.
- Clean the product and do a full servicing before you put the product in storage for a long time.
- Use the transportation guard on the product to prevent injuries or damage on the product during transportation and storage.
- Attach the product safely during transportation.

### Disposal of the battery, battery charger and product

The symbol below means that the product is not domestic waste. Recycle it at a recycling station for electrical and electronic equipment. This helps to prevent damage to the environment and to persons.

Speak to local authorities, domestic waste service or your dealer for more information.



**Note:** The symbol shows on the product or package of the product.

## Technical data

### Technical data

<b>Husqvarna K 535i</b>		
Voltage	36V	
Weight, kg (lbs)	3.5 (7.7)	
Blade diameter, mm (in.)	230 (9)	
Max blade thickness, mm (in.)	Abrasive blades	3.0 (0.1)
	Diamond blades	1.8 (0.07)
Unit rated speed	5940 rpm	
<b>Water cooling</b>		
Water cooling of blade	Yes	
Connecting nipple	Type "Gardena"	
Recommended water pressure, bar (psi)	0.5 - 6 (7.3 - 87)	

<b>Husqvarna K 535i</b>				
Maximum water pressure, bar (psi)				6 (87)
	<b>Vibration levels, <math>a_{hveq}</math> <sup>1</sup></b>		<b>Noise emissions <sup>2</sup></b>	
	Front/Left	Rear Right	LpA	LwA
	m/s <sup>2</sup>	m/s <sup>2</sup>	dB(A)	dB(A)
BLi200	1.9	2.3		
BLi300	2.1	2.5	100.5	111.5
<sup>1</sup> The declared vibration total value has been measured in accordance with EN 60745-2-22 and may be used for comparing one tool with another. The declared vibration total value may also be used in a preliminary assessment of exposure.				
<sup>2</sup> The noise emission are measured in accordance with EN 60745-2-22. <ul style="list-style-type: none"> <li>• Uncertainty for the A-weighted sound power level <math>K_{pA}</math> is 3 dB(A).</li> <li>• Uncertainty for the A-weighted sound pressure level <math>K_{pA}</math> is 3 dB(A).</li> </ul>				

---

## Accessories

---

### Approved batteries for the product

<b>Battery</b>	<b>BLi200</b>	<b>BLi300</b>
Type	Lithium-ion	Lithium-ion
Battery capacity, Ah	5.2	9.4
Nominal voltage, V	36	36
Weight, kg / lb	1.3 / 2.9	1.9 / 4.2

### Approved battery chargers for the product

<b>Battery charger</b>	<b>QC330</b>
Mains voltage, V	100-240
Frequency, Hz	50-60
Power, W	330



# Inhalt

Einleitung.....	25	Fehlerbehebung.....	46
Sicherheit.....	27	Transport, Lagerung und Entsorgung.....	47
Montage.....	34	Technische Angaben.....	48
Betrieb.....	38	Zubehör.....	49
Wartung.....	44	EG-Konformitätserklärung.....	50

# Einleitung

## Produktbeschreibung

Husqvarna K 535i ist eine tragbare, handgeführte Schneidmaschine. Das Produkt wird durch einen Akku betrieben.

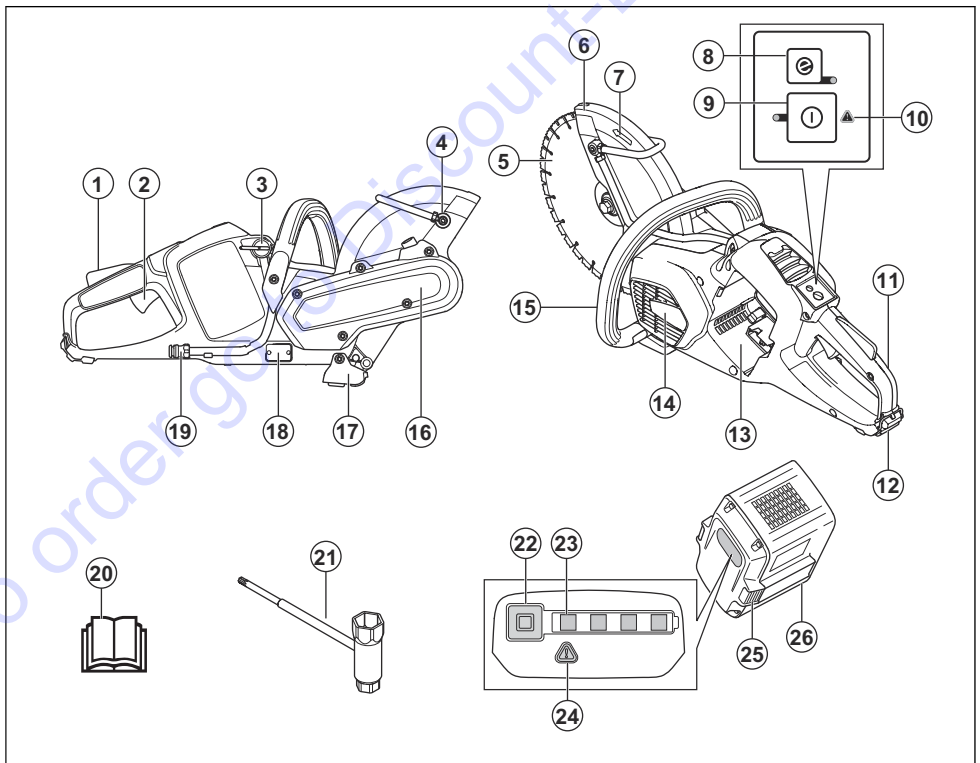
Wir arbeiten laufend daran, Ihre Sicherheit und die Effektivität während des Betriebs zu verbessern. Ihr Servicehändler steht Ihnen gern für weitere Informationen zur Verfügung.

## Verwendungszweck

Dieses Produkt wird verwendet, um Dachziegel, Gartenplatten und Leichtbeton zu schneiden.

**Hinweis:** Der Betrieb des Geräts kann durch nationale Vorschriften eingeschränkt sein.

## Produktübersicht



1. Gashebelsperre
2. Gashebel
3. Wasserventil
4. Wasserdüse
5. Schneidmesser
6. Klingenschutz
7. Trennscheibenrotation
8. SavE-Taste (Energiespartaste)
9. Start- und Stoptaste
10. Warnanzeige
11. Hinterer Handgriff mit Rechtshandschutz
12. Bodenstütze hinten mit Seilöse
13. Akkufach
14. Lüftergehäuse
15. Vorderer Handgriff
16. Riemenschutz
17. Bodenstütze vorne
18. Typenschild
19. Wasseranschluss mit Filter
20. Bedienungsanleitung
21. Gabel-Ringschlüssel
22. Taste, Akkuladestatus
23. Akkuladestatus
24. Warnanzeige
25. Akkuentriegelungstaste
26. Akku (nicht enthalten)

Benzin, Holz, Kleidung und trockenes Gras entzünden.



Rückschläge können unvermittelt und schnell passieren und Verletzungen verursachen. Lesen Sie die Anweisungen durch und stellen Sie sicher, dass Sie sie verstehen, bevor Sie das Produkt benutzen.



Vergewissern Sie sich, dass die Trennscheibe keine Beschädigungen und Risse aufweist.



Verwenden Sie keine kreisrunden Sägeklingen.



**Umweltkennzeichen.** Das Gerät oder die Verpackung des Geräts dürfen nicht über den Hausmüll entsorgt werden. Recyceln Sie es an einer Recyclingstation für elektrische und elektronische Geräte.

## Symbole auf dem Gerät



Gefahr von schweren oder tödlichen Verletzungen des Bedieners oder anderer Personen. Gehen Sie vorsichtig vor, und verwenden Sie das Gerät ordnungsgemäß.



Lesen Sie das Handbuch sorgfältig durch und stellen Sie sicher, dass Sie die Anweisungen verstehen, bevor Sie das Produkt benutzen.



Tragen Sie einen zugelassenen Schutzhelm, Atemschutz, Gehörschutz und eine Schutzbrille.




Dieses Produkt stimmt mit den geltenden CE-Richtlinien überein.



Rauch vom Schneiden kann beim Einatmen Verletzungen verursachen. Verwenden Sie einen zugelassenen Atemschutz. Vermeiden Sie es, die Abgase einzusatmen. Achten Sie auf ausreichende Belüftung.



Von der Trennscheibe erzeugte Funken können brennbare Materialien wie z. B.

	Drehrichtung der Klinge
yyyywwxxxx	Das Typenschild zeigt die Seriennummer. <b>JJJJ</b> ist das Produktionsjahr, <b>ww</b> ist die Produktionswoche.
∅	Maximaler Klingenaußendurchmesser.
DC	Gleichstrom
n	Nennzahl

**Hinweis:** Sonstige Symbole/Aufkleber am Gerät beziehen sich auf Zertifizierungsanforderungen, die in bestimmten Ländern gelten.

## Symbole auf dem Akku und/oder auf dem Ladegerät



Recyceln Sie dieses Gerät an einer Recyclingstation für elektrische und elektronische Geräte. (nur für Europa)



Störungsfreier Transformator.



Das Akkuladegerät darf nur in geschlossenen Räumen benutzt und aufbewahrt werden.



Doppelt isoliert

## Produkthaftung

Im Sinne der Produkthaftungsgesetze übernehmen wir keine Haftung für Schäden, die unser Gerät verursacht, wenn...

- das Gerät nicht ordnungsgemäß repariert wurde.
- das Gerät mit Teilen repariert wurde, die nicht vom Hersteller stammen oder vom Hersteller zugelassen sind.
- ein Zubehörteil mit dem Gerät verwendet wird, das nicht vom Hersteller stammt oder vom Hersteller zugelassen ist.
- das Gerät nicht bei einem zugelassenen Service Center oder von einer zugelassenen offiziellen Stelle repariert wurde.

## Sicherheit

### Sicherheitsdefinitionen

Warnungen, Vorsichtsmaßnahmen und Hinweise werden verwendet, um auf besonders wichtige Teile der Bedienungsanleitung hinzuweisen.



**WARNUNG:** Wird verwendet, wenn bei Nichtbeachtung der Anweisungen in diesem Handbuch die Gefahr von Verletzung oder Tod des Bedieners oder anderer Personen besteht.



**ACHTUNG:** Wird verwendet, wenn bei Nichtbeachtung der Anweisungen in diesem Handbuch die Gefahr von Schäden am Gerät, an anderen Materialien oder in der Umgebung besteht.

**Hinweis:** Für weitere Informationen, die in bestimmten Situationen nötig sind.

### Allgemeine Sicherheitshinweise für Elektrowerkzeuge



**WARNUNG:** Lesen Sie sämtliche Sicherheitshinweise und Anweisungen durch. Wenn Sie die Warn- und Sicherheitshinweise nicht befolgen, kann dies zu Elektroschock, Brand und/oder schweren Verletzungen führen.

**Hinweis:** Bewahren Sie alle Warnhinweise und Anweisungen für spätere Referenzzwecke auf. Der Begriff „Elektrowerkzeug“ in den Warnhinweisen bezieht sich auf ein Elektrowerkzeug mit Netzbetrieb (über ein Kabel) oder mit Akkubetrieb (kabellos).

### Sicherheit im Arbeitsbereich

- **Sorgen Sie für einen sauberen und gut ausgeleuchteten Arbeitsbereich.** Durch zugestellte

oder dunkle Arbeitsbereiche steigt die Unfallgefahr stark an.

- **Betreiben Sie Elektrowerkzeuge niemals an Orten, an denen Explosionsgefahr besteht, z. B. in der Nähe von leicht entzündlichen Flüssigkeiten, Gasen oder Staubansammlungen.** Bei der Arbeit mit Elektrowerkzeugen kann es zu Funkenbildung kommen, wodurch sich Staub oder Dämpfe entzünden können.
- **Sorgen Sie bei der Arbeit mit Elektrowerkzeugen dafür, dass sich keine Kinder oder unbefugte Personen in der Nähe befinden.** Durch Ablenkungen können Sie die Kontrolle über das Werkzeug verlieren.

### Elektrische Sicherheit

- **Die Netzstecker von Elektrowerkzeugen müssen zur Steckdose passen. Der Netzstecker darf in keiner Weise verändert werden. Verwenden Sie bei Elektrowerkzeugen mit Schutzkontakt (geerdet) niemals Adapterstecker.** Nicht modifizierte Stecker und Steckdosen reduzieren das Risiko eines Elektroschocks.
- **Vermeiden Sie Körperkontakt mit geerdeten Gegenständen wie Rohrleitungen, Heizungen, Herden oder Kühlschränken.** Bei Körperkontakt mit geerdeten Gegenständen besteht ein erhöhtes Stromschlagrisiko.
- **Setzen Sie Elektrowerkzeuge niemals Regen oder sonstiger Feuchtigkeit aus.** Wenn Wasser in ein Elektrowerkzeug eindringt, erhöht sich das Stromschlagrisiko.
- **Verwenden Sie das Anschlusskabel nicht missbräuchlich.** Verwenden Sie das Anschlusskabel niemals zum Tragen oder Heranziehen des Elektrowerkzeugs, und ziehen Sie den Stecker nicht am Anschlusskabel aus der Steckdose. Halten Sie das Kabel fern von Hitzequellen, Öl, scharfen Kanten und beweglichen Teilen. Beschädigte oder verdrehte Anschlusskabel erhöhen das Stromschlagrisiko.
- **Wenn Sie ein Elektrowerkzeug im Freien benutzen, verwenden Sie ein für den**

### **Außeneinsatz geeignetes Verlängerungskabel.**

Die Verwendung eines für den Außeneinsatz geeigneten Kabels verringert das Risiko eines Stromschlags.

- **Falls der Einsatz eines Elektrowerkzeugs in einer feuchten Umgebung nicht zu vermeiden ist, benutzen Sie eine Stromversorgung mit Fehlerstrom-Schutzeinrichtung (RCD).** Die Verwendung einer Fehlerstrom-Schutzeinrichtung (RCD) verringert das Risiko eines elektrischen Schlags



**ACHTUNG:** Die Maschine nicht mit dem Hochdruckreiniger waschen, da Wasser in das elektrische System oder den Motor eindringen und so Maschinenschäden oder einen Kurzschluss auslösen kann.

## **Persönliche Sicherheit**

- **Bleiben Sie aufmerksam, achten Sie auf das, was Sie tun, und setzen Sie gesunden Menschenverstand ein, wenn Sie mit Elektrowerkzeugen arbeiten. Benutzen Sie keine Elektrowerkzeuge, wenn Sie müde sind oder unter dem Einfluss von Drogen, Alkohol oder Medikamenten stehen.** Bei der Arbeit mit Elektrowerkzeugen können bereits kurze Phasen der Unaufmerksamkeit zu schweren Verletzungen führen.
- **Benutzen Sie eine persönliche Schutzausrüstung. Tragen Sie stets einen Augenschutz.** Schutzausrüstung wie Atemschutzmaske, rutschsichere Sicherheitsschuhe, Schutzhelm und Gehörschutz senkt bei angemessenem Einsatz das Verletzungsrisiko.
- **Vermeiden Sie ein versehentliches Starten. Achten Sie darauf, dass sich der Schalter in der Aus-Stellung befindet, bevor Sie das Elektrowerkzeug an die Stromversorgung und/oder den Akku anschließen oder es hochheben oder herumtragen.** Durch Herumtragen von Elektrowerkzeugen mit dem Finger am Schalter und das Einstecken des Steckers bei betätigtem Schalter steigt das Unfallrisiko stark an.
- **Entfernen Sie sämtliche Einstellschlüssel, bevor Sie das Elektrowerkzeug einschalten.** Ein an einem beweglichen Teil des Elektrowerkzeugs angebrachter Schlüssel kann zu Verletzungen führen.
- **Sorgen Sie für einen festen Stand. Achten Sie jederzeit darauf, sicher zu stehen und das Gleichgewicht zu bewahren.** Dadurch haben Sie das Elektrowerkzeug in unerwarteten Situationen besser im Griff.
- **Kleiden Sie sich richtig. Tragen Sie niemals lose sitzende Kleidung oder Schmuck. Halten Sie Haar, Kleidung und Handschuhe von beweglichen Teilen fern.** Lose Kleidung, Schmuck oder langes Haar kann von beweglichen Teilen erfasst werden.

- **Wenn Anschlüsse für Staubabsaug- und Staubsammelvorrichtungen vorhanden sind, sorgen Sie dafür, dass diese richtig angeschlossen und eingesetzt werden.** Die Verwendung von Staubsammelvorrichtungen vermindert durch Staub verursachte Gefahren.
- **Die Vibrationsemissionen während der tatsächlichen Verwendung des Elektrowerkzeugs können abhängig von der Verwendungsart des Werkzeugs vom angegebenen Gesamtwert abweichen.** Bediener sollten Sicherheitsmaßnahmen für den eigenen Schutz ergreifen, die auf einer Beurteilung der Exposition unter tatsächlichen Nutzungsbedingungen beruht. Dabei sind alle Teile des Betriebszyklus zu berücksichtigen, z. B. abgesehen vom Gashebelbetrieb, die Zeiten, wenn das Werkzeug ausgeschaltet ist und wenn es im Leerlauf betrieben wird.
- **Stets Abstand zur Trennscheibe halten, wenn der Motor läuft.**

## **Verwendung und Pflege von Elektrowerkzeugen**

- **Überbeanspruchen Sie Elektrowerkzeuge nicht. Benutzen Sie das richtige Elektrowerkzeug für Ihren Einsatzzweck.** Das richtige Elektrowerkzeug erledigt seine Arbeit bei bestimmungsgemäßem Einsatz besser und sicherer.
- **Benutzen Sie das Elektrowerkzeug nicht, wenn es sich nicht am Schalter ein- und ausschalten lässt.** Jedes Elektrowerkzeug, das nicht mit dem Schalter betätigt werden kann, stellt eine Gefahr dar und muss repariert werden.
- **Trennen Sie das Elektrowerkzeug von der Stromversorgung bzw. vom Akku, bevor Sie Einstellarbeiten vornehmen, Zubehörteile austauschen oder das Elektrowerkzeug verstauen.** Solche präventiven Sicherheitsmaßnahmen verhindern den unbeabsichtigten Start des Elektrowerkzeugs.
- **Lagern Sie nicht benutzte Elektrowerkzeuge außerhalb der Reichweite von Kindern, und lassen Sie nicht zu, dass Personen das Elektrowerkzeug bedienen, die nicht mit dem Werkzeug selbst und/oder diesen Anweisungen vertraut sind.** Elektrowerkzeuge stellen in ungeschulten Händen eine Gefahr dar.
- **Halten Sie Elektrowerkzeuge in Stand. Prüfen Sie auf Fehlausrichtungen, sicheren Halt und Leichtgängigkeit beweglicher Teile, Beschädigungen von Teilen sowie auf jegliche andere Zustände, die sich auf den Betrieb des Elektrowerkzeugs auswirken können. Bei Beschädigungen lassen Sie das Elektrowerkzeug reparieren, bevor Sie es benutzen.** Viele Unfälle mit Elektrowerkzeugen sind auf schlechte Wartung zurückzuführen.
- **Halten Sie Schneidwerkzeuge scharf und sauber.** Ordnungsgemäß gewartete Schneidwerkzeuge mit

scharfen Schneidkanten bleiben seltener hängen und sind einfacher zu bedienen.

- **Benutzen Sie Elektrowerkzeuge, Zubehör, Werkzeugschneiden und Ähnliches in Übereinstimmung mit diesen Anweisungen und auf die für das jeweilige Elektrowerkzeug bestimmungsgemäße Weise, und beachten Sie dabei die jeweiligen Arbeitsbedingungen und die Art der auszuführenden Arbeiten.** Der Einsatz eines Elektrowerkzeugs für Zwecke, die von den hier angegebenen abweichen, kann zu Gefahrensituationen führen.
- **An der Bauweise des Geräts dürfen ohne vorherige Genehmigung des Herstellers keine Veränderungen vorgenommen werden.** Verwenden Sie stets Originalersatzteile. Unzulässige Änderungen und/oder Zubehör können zu schweren oder tödlichen Verletzungen des Benutzers oder anderer Personen führen.
- **Stellen Sie außerdem sicher, dass weder unter dem Arbeitsbereich noch im Schneidegut Versorgungsleitungen verlegt sind.**
- **Überprüfen und markieren Sie immer den Verlauf von Gasleitungen.** Schneiden in der Nähe von Gasleitungen bringt immer Gefahren mit sich. Stellen Sie sicher, dass beim Schneiden keine Funken fliegen, wenn Explosionsgefahr besteht. Bleiben Sie konzentriert und widmen Sie der Aufgabe Ihre ganze Aufmerksamkeit. Unachtsamkeit kann zu schweren Verletzungen bis hin zum Tod führen.

## Verwendung und Pflege von akkubetriebenen Werkzeugen

- **Eine Aufladung darf nur mit dem vom Hersteller vorgeschriebenen Ladegerät durchgeführt werden.** Durch ein für einen bestimmten Akkutyp geeignetes Ladegerät kann Brandgefahr entstehen, wenn es für einen anderen Akku verwendet wird.
- **Verwenden Sie Elektrowerkzeuge nur mit speziell ausgezeichneten Akkus.** Die Verwendung anderer Akkus kann zu Verletzungs- und Brandgefahr führen.
- **Wird der Akku nicht verwendet, halten Sie ihn von Metallgegenständen wie Büroklammern, Münzen, Schlüsseln, Nägeln, Schrauben oder anderen kleineren Metallobjekten fern, da es zu einer Überbrückung der Kontakte kommen könnte.** Durch Kurzschluss der Akkuklemmen kann es zu Verbrennungen oder Bränden kommen.
- **Unter missbräuchlichen Bedingungen kann Flüssigkeit aus dem Akku austreten; vermeiden Sie Kontakt damit. Bei versehentlichem Hautkontakt sofort mit Wasser abspülen. Sollten Ihre Augen damit in Berührung gekommen sein, suchen Sie sofort ärztliche Hilfe auf.** Durch austretende Flüssigkeit aus dem Akku kann es zu Reizungen oder Verbrennungen kommen.

## Service

- **Lassen Sie das Elektrowerkzeug von einem qualifizierten Fachmann reparieren, und bestehen Sie darauf, dass nur Originalersatzteile verwendet werden.** Auf diese Weise wird dafür gesorgt, dass die Sicherheit des Elektrowerkzeugs nicht beeinträchtigt wird.

## Sicherheitswarnung Schneidmaschine

- **Der Schutz, der mit dem Werkzeug geliefert wird, muss sicher am Elektrowerkzeug befestigt und für maximale Sicherheit positioniert sein, damit nur ein Minimum an Rad in Richtung Bediener offen liegt.** Positionieren Sie sich und umstehende Personen weg von der Ebene des drehenden Rads. Die Schutzabdeckung schützt den Bediener vor abgebrochenen Radstücken und vor unbeabsichtigtem Kontakt mit dem Rad.
- **Verwenden Sie für Ihr Elektrowerkzeug nur gebundene verstärkte oder Diamant-Trennscheiben.** Nur, weil ein Zubehör an Ihrem Elektrowerkzeug angebracht werden kann, bedeutet es nicht, dass der Betrieb sicher ist.
- **Die Nenndrehzahl des Zubehörs muss mindestens der maximalen Drehzahl entsprechen, die auf dem Elektrowerkzeug angegeben ist.** Zubehör, das schneller läuft als die Nenndrehzahl, kann brechen und auseinanderfliegen.
- **Räder dürfen nur für die empfohlenen Anwendungen verwendet werden. Beispiel: Schleifen Sie nicht mit der Seite der Trennscheibe.** Trennschleifscheiben sind für peripheres Schleifen gedacht; seitliche Kräfte auf diese Räder können verursachen, dass sie zersplittern.
- **Verwenden Sie grundsätzlich immer unbeschädigte Radflansche des richtigen Durchmessers für das ausgewählte Rad.** Korrekte Radflansche stützen das Rad ab und reduzieren die Wahrscheinlichkeit von Beschädigungen.
- **Verwenden Sie keine verschlissenen verstärkten Räder von größeren elektrischen Geräten.** Räder, die für größere Elektrogeräte vorgesehen sind, eignen sich nicht für die höhere Drehzahl kleinerer Werkzeuge und können brechen.
- **Der äußere Durchmesser und die Stärke Ihres Zubehörs muss innerhalb der Tragfähigkeit Ihres Elektrowerkzeugs sein.** Nicht richtig dimensioniertes Zubehör kann nicht ordnungsgemäß geschützt oder gesteuert werden.
- **Die Wellengröße der Räder und Flansche muss ordnungsgemäß an die Spindel des Elektrowerkzeugs passen.** Räder und Flansche, deren Wellenlöcher nicht zum Befestigungsteil des Elektrowerkzeugs passen, geraten aus dem Gleichgewicht, vibrieren übermäßig und können zu Kontrollverlust führen.

- **Verwenden Sie keine beschädigten Räder. Überprüfen Sie Räder vor jedem Gebrauch auf Späne und Risse. Wenn ein Hochleistungswerkzeug oder Rad herunterfällt, muss dieses auf Schäden geprüft oder ein unbeschädigtes Rad montiert werden. Nach dem Prüfen und der Montage des Rads positionieren Sie sich und umstehende Personen weg von der Fläche des rotierenden Rads und lassen Sie das Hochleistungswerkzeug bei maximaler Geschwindigkeit ohne Last eine Minute lang laufen.** Beschädigte Räder brechen hierbei normalerweise auseinander.
- **Tragen Sie persönliche Schutzausrüstung. Verwenden Sie je nach Anwendung Gesichtsschutz, Sicherheitsbrille oder Schutzbrille. Tragen Sie gegebenenfalls eine Staubmaske, Gehörschutz, Handschuhe und eine Arbeitsschürze, die kleinen Schleif- oder Werkstücke standhalten können.** Der Augenschutz muss in der Lage sein, fliegende Teile abzuhalten, die durch verschiedene Arbeiten erzeugt werden. Die Staub- oder Atemschutzmaske muss in der Lage sein, durch Ihre Arbeit erzeugte Partikel herauszufiltern. Hochintensiver Lärm kann bei längerer Aussetzung zu Gehörschäden führen.
- **Halten Sie unbefugte Personen mit einem ausreichenden Sicherheitsabstand vom Arbeitsbereich fern. Jede Person, die in den Arbeitsbereich kommt, muss persönliche Schutzausrüstung tragen.** Bruchstücke vom Werkstück oder gebrochene Räder können wegfiegen und über den unmittelbaren Betriebsbereich hinaus zu Verletzungen führen.
- **Halten Sie das Gerät nur an isolierten Griffflächen, wenn Sie Arbeiten durchführen, bei denen das Schneidmesser mit versteckten Netzkabeln in Berührung kommen kann.** Schneidmesser, die mit einem stromführenden Kabel in Kontakt kommen, können freiliegende Metallteile des Elektrowerkzeugs unter Strom setzen und dem Bediener einen Stromschlag versetzen.
- **Das Hochleistungswerkzeug erst dann ablegen, wenn das Zubehör zu einem kompletten Stillstand gekommen ist.** Das drehende Rad kann die Oberfläche ergreifen und das Elektrowerkzeug aus Ihrer Kontrolle reißen.
- **Betreiben Sie das Elektrowerkzeug nicht, während Sie es an Ihrer Seite tragen.** Unbeabsichtigter Kontakt mit dem sich drehenden Zubehör kann dazu führen, dass es sich mit Ihrer Kleidung verhakt, wodurch das Zubehörteil in Ihren Körper gezogen wird.
- **Reinigen Sie regelmäßig die Lüftungsöffnungen des Elektrowerkzeugs.** Der Ventilator des Motors zieht Staub in das Gehäuse und eine übermäßige Ansammlung von pulverisiertem Metall kann zu elektrischen Gefahren führen.
- **Betreiben Sie das Elektrowerkzeug nicht in der Nähe von entflammaren Materialien.**

Entstehende Funken könnten diese Materialien entzünden.

## Rückschläge und Warnhinweise

- **Ein Rückschlag ist eine plötzliche Reaktion auf ein eingeklemmtes oder festgesetztes rotierendes Rad.** Einklemmen oder Abklemmen verursacht schnell, dass das rotierende Rad stehen bleibt, was wiederum bewirkt, dass das unkontrollierte Elektrowerkzeug am eingeklemmten Ort in die zur Drehrichtung entgegengesetzte Richtung gedrückt wird.
- **Wenn zum Beispiel eine Schleifscheibe vom Werkstück festgesetzt oder eingeklemmt ist, kann die Radkante, die in den Quetschpunkt eintritt, in die Oberfläche des Materials eindringen, wodurch das Rad heraussteigt oder zurückschlägt.** Das Rad kann entweder in Richtung oder vom Bediener weg springen, je nach Bewegungsrichtung des Rads zum Zeitpunkt des Einklemmens. Schleifscheiben können unter diesen Bedingungen auch brechen.
- **Ein Rückschlag ist das Ergebnis unsachgemäßer Anwendung des Hochleistungswerkzeugs und/oder falschem Betrieb. Dies lässt sich durch die nachfolgend aufgeführten Vorsichtsmaßnahmen vermeiden.**
- **Halten Sie das Elektrowerkzeug gut fest und positionieren Sie Ihren Körper und Arm so, dass Sie Rückschlägen standhalten können.** Verwenden Sie, falls vorhanden, grundsätzlich immer einen Zusatzhandgriff, für maximale Kontrolle über Rückschläge oder Drehmoment-Reaktionen beim Start. Der Bediener kann Drehmoment-Reaktionen oder Rückschläge kontrollieren, wenn geeignete Vorkehrungen getroffen werden.
- **Legen Sie niemals Ihre Hand in die Nähe des rotierenden Zubehörs.** Zubehör kann beim Rückschlag über Ihre Hand kommen.
- **Positionieren Sie Ihren Körper nicht in einer Linie mit dem sich drehenden Rad.** Ein Rückschlag bewegt das Werkzeug entgegen der Bewegungsrichtung des Rads zum Zeitpunkt des Einklemmens.
- **Seien Sie besonders vorsichtig bei Arbeiten an Ecken, scharfen Kanten etc.** Verhindern Sie ruckartige Bewegungen und ein Einklemmen des Zubehörteils. Ecken, scharfe Kanten oder ruckartige Bewegungen führen tendenziell dazu, dass sich das rotierende Zubehör verhakt und verursachen Kontrollverlust und Rückschläge.
- **Befestigen Sie keine Sägekette, Holzschneideklinge und segmentiertes Diamant-Rad mit einer Peripherielücke größer als 10 mm oder gezahnte Sägeklinge.** Solche Klingen verursachen häufig Rückschläge und Kontrollverlust.
- **Verkanten Sie das Rad nicht und üben Sie keinen übermäßigen Druck aus.** Versuchen Sie nicht, eine übermäßige Schnitttiefe zu erreichen. Überbeanspruchung des Rads erhöht die Belastung

und die Anfälligkeit für Verdrehen oder Einklemmen des Rads im Schnitt und die Gefahr von Rückschlägen oder Radbruch.

- **Wenn sich das Rad einklemmt oder wenn ein Schnitt aus irgendeinem Grund unterbrochen wird, schalten Sie das Elektrowerkzeug aus und halten Sie das Elektrowerkzeug still, bis das Rad zum Stillstand gekommen ist.** Ziehen Sie das Rad auf keinen Fall aus dem Schnitt, während es in Bewegung ist, sonst kann dies zu einem Rückschlag führen. Suchen Sie nach der Ursache für das Einklemmen des Rads und nehmen Sie entsprechende Maßnahmen vor, um es zu korrigieren.
- **Beginnen Sie den Schneidevorgang am Werkstück nicht neu.** Lassen Sie das Rad die volle Drehzahl erreichen und gehen Sie vorsichtig zurück in den Schnitt. Das Rad kann sich verklemmen, nach oben gehen oder zurückschlagen, wenn das Elektrowerkzeug im Werkstück neu gestartet wird.
- **Stützen Sie Platten oder überdimensionierte Werkstücke ab, um die Gefahr zu verringern, dass sich das Rad einklemmt und Rückschläge entstehen.** Große Werkstücke tendieren dazu, unter ihrem eigenen Gewicht abzusacken. Stützen müssen unter dem Werkstück in der Nähe der Schnittlinie und in der Nähe der Kante des Werkstückes auf beiden Seiten des Rads positioniert werden.
- **Besondere Vorsicht gilt bei Innenschnitten in Wänden oder anderen nicht einsehbaren Bereichen.** Die hervorstehende Scheibe kann Gas- oder Wasserleitungen, elektrische Leitungen oder andere Gegenstände, die einen Rückschlag verursachen könnten, trennen.

## Allgemeine Sicherheitshinweise



**WARNUNG:** Lesen Sie die folgenden Warnhinweise, bevor Sie das Gerät benutzen.

- Dieses Produkt ist ein sehr gefährliches Werkzeug und kann schwere Verletzungen verursachen, wenn es nicht vorsichtig benutzt oder falsch verwendet wird. Es ist deshalb von größter Wichtigkeit, dass diese Anleitung aufmerksam durchgelesen und verstanden wird.
- Nehmen Sie ohne die Genehmigung des Herstellers keine Veränderungen an dem Gerät vor. Verwenden Sie auch keine Geräte, die von anderen verändert wurden, und verwenden Sie immer Originalzubehör. Nicht vom Hersteller zugelassene Veränderungen können zu schweren oder sogar tödlichen Verletzungen des Bedieners oder anderer Personen führen.
- Halten Sie das Produkt sauber. Die Lesbarkeit aller Schilder und Aufkleber muss gewährleistet sein.
- Dieses Gerät erzeugt beim Betrieb ein elektromagnetisches Feld. Dieses Feld kann sich

unter bestimmten Bedingungen auf die Funktionsweise aktiver oder passiver medizinischer Implantate auswirken. Um die Gefahr von Situationen, die zu schweren oder tödlichen Verletzungen führen können, zu verringern, sollten sich Personen mit einem medizinischen Implantat vor der Nutzung dieses Gerätes an ihren Arzt und den Hersteller des Implantats wenden.

## Sicherheitshinweise für den Betrieb

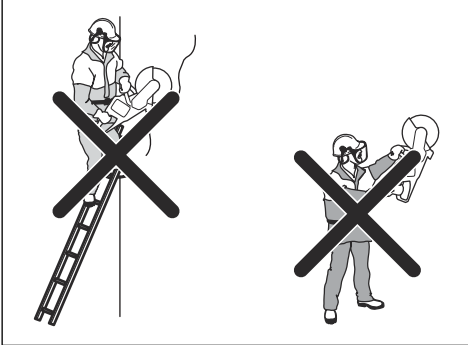


**WARNUNG:** Lesen Sie sämtliche Sicherheitshinweise und Anweisungen durch. Wenn Sie die Warn- und Sicherheitshinweise nicht befolgen, kann dies zu Elektroschock, Brand und/oder schweren Verletzungen führen.

- Schneiden Sie auf keinen Fall Asbest-Materialien.
- Stellen Sie beim Trockenschnitt sicher, dass der Staub sicher entfernt wird.
- Die Informationen in dieser Anleitung sind kein Ersatz für Fachwissen und Erfahrungen. Wenn Sie sich in einer Situation nicht sicher fühlen, schalten Sie das Gerät ab. Verwenden Sie das Produkt nicht in unbekanntem Situationen.
- Wenden Sie sich an ihren Servicehändler oder Husqvarna, wenn Sie Fragen zur Bedienung des Geräts haben. Wir können Ihnen Informationen dazu geben, wie Sie Ihr Gerät sicher und mit besten Resultaten bedienen.
- Verwenden Sie keine defekten Geräte, Akku oder Ladegeräte.
- Berühren Sie keine rotierende Trennscheibe. Dies kann zu schweren Verletzungen oder zum Tod führen.
- Vermeiden Sie es, das Gerät bei schlechtem Wetter zu benutzen, beispielsweise bei dichtem Nebel oder Regen oder starkem Wind oder bei großer Kälte. Schlechtes Wetter führt zu zusätzlichen Risiken, z. B. Eis auf dem Boden.
- Starten Sie kein Produkt, bevor alle Abdeckungen und Schutzvorrichtungen ordnungsgemäß angebracht sind.
- Behalten Sie die Umgebung im Auge. Stellen Sie sicher, dass keine Gefahr besteht, dass Personen oder Tiere berührt werden oder Ihre Kontrolle über das Gerät beeinflussen.
- Erlauben Sie niemals Kindern, das Gerät zu benutzen oder sich in seiner Nähe aufzuhalten. Das Produkt lässt sich leicht starten. Dies kann zu schweren Verletzungen führen.
- Entfernen Sie den Akku, wenn Sie das Gerät nicht vollständig im Blick haben. Entfernen Sie den Akku, wenn Sie das Produkt über einen längeren Zeitraum nicht verwenden.
- Sie müssen sicher auf Ihren Füßen stehen, um das Gerät voll unter Kontrolle zu haben. Verwenden Sie das Gerät nicht, wenn Sie sich auf einer Leiter

befinden. Verwenden Sie das Gerät nicht, wenn Sie nicht auf stabilem Untergrund stehen.

- Verwenden Sie das Gerät nicht über Schulterhöhe.



- Wenn Sie nicht aufpassen, erhöht sich die Rückschlaggefahr.



- Arbeiten Sie nicht einhändig mit dem Gerät. Dieses Gerät lässt sich mit nur einer Hand nicht sicher bedienen.
- Verwenden Sie das Gerät nicht in einer Situation, in der Sie im Falle eines Unfalls keine Hilfe bekommen können.
- Vergewissern Sie sich, dass Sie sich sicher bewegen können. Untersuchen Sie die Bedingungen und das Gelände auf eventuelle Hindernisse.
- Personen mit Blutkreislaufstörungen, die zu oft Vibrationen ausgesetzt werden, laufen Gefahr, Schäden an den Blutgefäßen oder am Nervensystem davonzutragen. Gehen Sie zum Arzt, wenn Sie an Ihrem Körper Symptome feststellen, die darauf hinweisen, dass Sie übermäßigen Vibrationen ausgesetzt waren. Beispiele für solche Symptome sind: Einschlafen von Körperteilen, Gefühlsverlust, Jucken, Stechen, Schmerzen, Verlust oder Beeinträchtigung der normalen Körperkraft, Veränderungen der Hautfarbe oder der Haut. Diese Symptome treten üblicherweise in Fingern, Händen und Handgelenken auf. Bei niedrigen Temperaturen können sich diese Symptome verstärken.

- Es ist nicht möglich, jede mögliche Situation zu berücksichtigen, mit der Sie konfrontiert sein können, wenn Sie das Gerät verwenden. Lassen Sie immer Vorsicht walten und arbeiten Sie mit gesundem Menschenverstand.

- **Hinweis:** Nach dem Betrieb des Geräts sollten die Gehörschützer direkt nach Beendigung des Sägevorgangs hochgeklappt werden, damit Geräusche und Warnsignale wahrgenommen werden können.

## Persönliche Schutzausrüstung



**WARNUNG:** Lesen Sie sämtliche Sicherheitshinweise und Anweisungen durch. Wenn Sie die Warn- und Sicherheitshinweise nicht befolgen, kann dies zu Elektroschock, Brand und/oder schweren Verletzungen führen.

- Sie müssen während des Betriebs eine zugelassene persönliche Schutzausrüstung tragen. Die persönliche Schutzausrüstung schützt Sie zwar nicht vollständig vor Verletzungen, vermindert aber den Umfang der Verletzungen bei einem Unfall. Wenden Sie sich an Ihren Servicehändler für Empfehlungen, welche Ausrüstung zu verwenden ist.
- Ihre Kleidung muss eng sitzen, darf aber nicht Ihre Bewegungen einschränken. Überprüfen Sie regelmäßig den Zustand der persönlichen Schutzausrüstung.
- Verwenden Sie einen zugelassenen Schutzhelm.
- Tragen Sie einen zugelassenen Atemschutz.
- Tragen Sie einen zugelassenen Gehörschutz. Eine längerfristige Beschallung mit Lärm kann zu bleibenden Gehörschäden führen.
- Tragen Sie eine Schutzbrille oder einen Gesichtsschutz, um sich vor Verletzungen durch Partikel und Staub zu schützen. Schwere Verletzungen, besonders an den Augen, können die Folge sein.
- Tragen Sie Sicherheitshandschuhe.
- Tragen Sie Stiefel mit Stahlkappe und rutschfester Sohle.
- Sie sollten immer ein Erste-Hilfe-Set dabei haben.

## Sicherheitsvorrichtungen am Gerät



**WARNUNG:** Lesen Sie sämtliche Sicherheitshinweise und Anweisungen durch. Wenn Sie die Warn- und Sicherheitshinweise nicht befolgen, kann dies zu Elektroschock, Brand und/oder schweren Verletzungen führen.

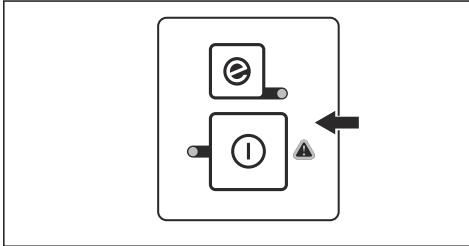
- Benutzen Sie kein Gerät mit schadhaften Sicherheitsvorrichtungen. Die Sicherheitsausrüstung muss durch Inspektion und Wartung regelmäßig geprüft werden. Wenden Sie sich wegen der



Reparatur an Ihren Servicehändler, wenn eine Sicherheitsvorrichtung die Inspektion nicht besteht.

## Tastatur

Die Warnleuchte blinkt, wenn das Risiko einer Überlastung besteht. Der Überlastschutz hält das Gerät vorübergehend an, und Sie können das Gerät nicht verwenden, bis die Temperatur wiederhergestellt ist. Wenn die Anzeige durchgehend leuchtet, wenden Sie sich an Ihren Kundendienst.

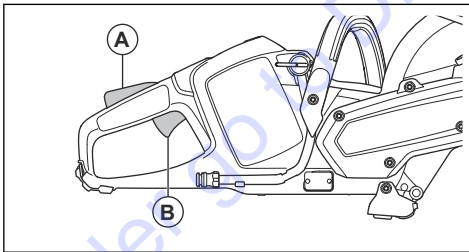


## Die automatische Stoppfunktion

Das Gerät verfügt über eine automatische Stoppfunktion, die das Gerät stoppt, wenn Sie es eine Minute lang nicht verwendet haben.

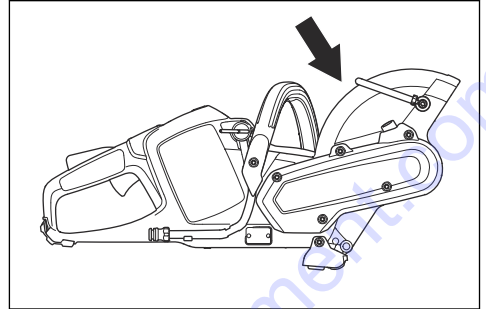
## Gashebelsperre

Die Gashebelsperre verhindert ein versehentliches Auslösen des Gashebels. Wenn Sie mit Ihrer Hand um den Griff fassen und die Gashebelsperre (A) betätigen, wird der Gashebel (B) freigegeben. Wenn Sie den Handgriff loslassen, werden Gashebel und Gashebelsperre wieder in ihre Ausgangsstellung zurückgestellt.



## Klingenschutz

Der Klingenschutz schützt den Benutzer vor Schäden durch Schneidepartikel. Der Schutz schützt Benutzer vor Schäden durch sich lösende Teile



## Sicherer Umgang mit Akku



**WARNUNG:** Lesen Sie sämtliche Sicherheitshinweise und Anweisungen durch. Wenn Sie die Warn- und Sicherheitshinweise nicht befolgen, kann dies zu Elektroschock, Brand und/oder schweren Verletzungen führen.

- Verwenden Sie nur die Husqvarna BLi Akkus, die wir für Ihr Gerät empfehlen. Die Akkus verfügen über eine Softwareverschlüsselung.
- Verwenden Sie als Stromversorgung für die zugehörigen Husqvarna Geräte nur wiederaufladbare Husqvarna BLi Akkus. Um Verletzungen zu vermeiden, verwenden Sie den Akku nicht zur Energieversorgung anderer Geräte.
- Es besteht die Gefahr von elektrischen Schlägen. Verbinden Sie die Akkuklemmen nicht mit Schlüsseln, Schrauben oder anderen metallischen Gegenständen. Dadurch kann es zu einem Kurzschluss des Akkus kommen.
- Benutzen Sie keine Akkus, die nicht wiederaufladbar sind.
- Legen Sie keine Gegenstände in die Luftschlitze des Akkus.
- Halten Sie den Akku von direkter Sonneneinstrahlung, Hitze oder offenem Feuer fern. Der Akku kann explodieren und Verbrennungen und/oder chemische Verbrennungen verursachen.
- Halten Sie den Akku von Regen und Feuchtigkeit fern.
- Halten Sie den Akku von Mikrowellen und hohem Druck fern.
- Versuchen Sie nicht, den Akku zu zerlegen oder aufzubrechen.
- Meiden Sie Hautkontakt mit Batteriesäure. Batteriesäure verursacht Hautverletzungen, Korrosion und Verbrennungen. Sollte Batteriesäure in Ihre Augen gelangen, reiben Sie diese nicht,

sondern spülen Sie sie mindestens 15 Minuten lang mit reichlich Wasser aus. Falls Ihre Haut Kontakt mit Batteriesäure hatte, reinigen Sie sie mit viel Wasser und Seife. Suchen Sie unverzüglich medizinische Hilfe auf.

- Der Akku darf nur bei Temperaturen zwischen -10 °C (14 °F) und 40 °C (104 °F) verwendet werden.
- Reinigen Sie weder den Akku noch das Ladegerät mit Wasser. Siehe *So reinigen Sie den Akku und das Ladegerät auf Seite 45*.
- Verwenden Sie keine fehlerhaften oder beschädigten Akkus.
- Lagern Sie Akkus getrennt von Metallgegenständen wie Nägeln, Schrauben und Schmuck.
- Achten Sie darauf, den Akku von Kindern fernzuhalten.

- Laden Sie den Akku nur in geschlossenen Räumen an einem Ort mit guter Luftzirkulation und ohne direkte Sonneneinstrahlung. Laden Sie den Akku nicht im Freien. Auf keinen Fall Akkus in feuchter Umgebung laden.
- Verwenden Sie das Ladegerät nur bei einer Temperatur zwischen 5 °C (41 °F) und 40 °C (104 °F). Verwenden Sie das Ladegerät nur in einer gut belüfteten, trockenen und staubfreien Umgebung.
- Legen Sie keine Gegenstände in die Luftschlitze des Akkuladegeräts.
- Verbinden Sie die Anschlüsse des Akkuladegeräts niemals mit Metallgegenständen. Dies kann zu einem Kurzschluss im Ladegerät führen.
- Laden Sie keine nicht wieder aufladbaren Batterien im Ladegerät (diese dürfen auch nicht in der Maschine verwendet werden).
- Nutzen Sie zugelassene Steckdosen, die nicht beschädigt sind.

## Sicherer Umgang mit dem Ladegerät



**WARNUNG:** Lesen Sie sämtliche Sicherheitshinweise und Anweisungen durch. Wenn Sie die Warn- und Sicherheitshinweise nicht befolgen, kann dies zu Elektroschock, Brand und/oder schweren Verletzungen führen.

- Gefahr von elektrischen Schlägen oder Kurzschluss, wenn die Sicherheitshinweise nicht beachtet werden.
- Verwenden Sie nur das mitgelieferte Ladegerät für Ihr Produkt. Verwenden Sie zum Laden von Husqvarna BLi-Ersatzakkus ausschließlich Husqvarna QC-Ladegeräte.
- Das Ladegerät nicht zerlegen.
- Verwenden Sie keine fehlerhaften oder beschädigten Ladegeräte.
- Heben Sie das Ladegerät nicht am Netzkabel an. Um das Ladegerät von der Steckdose zu trennen, ziehen Sie am Netzstecker. Ziehen Sie nicht am Netzkabel.
- Achten Sie darauf, dass keines der Kabel und Verlängerungskabel mit Wasser, Öl oder scharfen Kanten in Berührung kommt. Achten Sie darauf, dass Kabel nicht zwischen Türen, Zäunen o. Ä. eingeklemmt werden.
- Das Ladegerät darf nicht in der Nähe von entflammaren Materialien oder Materialien, die Korrosion verursachen können, verwendet werden. Vergewissern Sie sich, dass das Akkuladegerät nicht abgedeckt ist. Bei Rauchentwicklung oder Feuer muss der Stecker des Ladegeräts sofort aus der Steckdose gezogen werden.

## Sicherheitshinweise für die Wartung



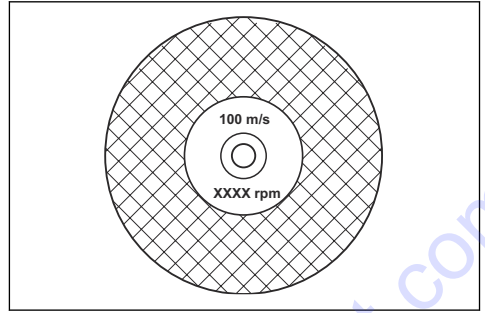
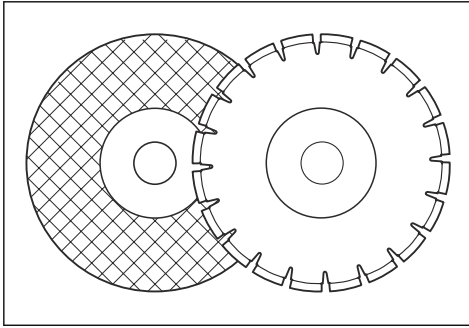
**WARNUNG:** Lesen Sie die folgenden Warnhinweise, bevor Sie das Gerät warten.

- Entfernen Sie vor Wartungs-, Kontroll- oder Montagearbeiten den Akku.
- Der Bediener darf nur die Wartungs- und Servicearbeiten ausführen, die in dieser Bedienungsanleitung beschrieben sind. Für darüber hinausgehende Wartungs- und Servicearbeiten wenden Sie sich bitte an Ihren Servicehändler.
- Reinigen Sie weder den Akku noch das Ladegerät mit Wasser. Starke Reiniger können den Kunststoff beschädigen.
- Wenn Wartungsarbeiten nicht durchgeführt werden, verringert sich die Lebensdauer des Geräts und die Unfallgefahr steigt.
- Für alle Service- und Reparaturarbeiten, insbesondere an den Sicherheitsvorrichtungen des Geräts, ist eine spezielle Schulung erforderlich. Wenn nach Durchführung der Wartungsarbeiten nicht alle in dieser Bedienungsanleitung beschriebenen Prüfungen mit positivem Ergebnis ausfallen, wenden Sie sich an Ihren Servicehändler. Wir garantieren Ihnen, dass für Ihr Gerät professionelle Service- und Reparaturdienste verfügbar sind.
- Nur Original-Ersatzteile verwenden.

## Montage

### Verwendbare Trennscheiben

Trennscheiben für Husqvarna K 535i gibt es in zwei Grundmodellen: Schleifscheiben und Diamantscheiben.



## Trennscheiben für handgeführte Hochgeschwindigkeits-Trennschleifer



**WARNUNG:** Verwenden Sie für Beton nur Diamantscheiben und Schleifscheiben. Verwenden Sie keine Trennscheiben mit Einschnitten wie z. B. kreisförmige Holzsägeblätter oder Trennscheiben mit Karbidspitzen. Das Risiko von Rückschlägen ist erhöht und Karbidspitzen können sich lösen und mit hoher Geschwindigkeit weggeschleudert werden. Dies kann zu Verletzungen oder zum Tod führen.



**WARNUNG:** Eine fehlerhafte Verwendung kann dazu führen, dass die Scheibe zu heiß wird. Eine zu heiße Scheibe, kann zu Fehlfunktionen führen, was Schäden und Verletzungen verursachen kann.



**WARNUNG:** Verwenden Sie keine Trennscheibe, deren Höchstdrehzahl niedriger ist als die des Trennschleifers. Verwenden Sie **nur** Trennscheiben, die mit nationalen und regionalen Standards übereinstimmen.

**Hinweis:** Schneiden Sie nur Materialien, die in den Anweisungen im Lieferumfang der Klinge angegeben sind.

Überprüfen Sie, dass die Trennscheibe für die gleiche oder eine höhere Drehzahl als die zugelassen ist, die auf dem Typenschild des Trennschleifers angegeben ist.

## Trennscheibenvibrationen



**ACHTUNG:** Wenn Sie das Produkt mit zu viel Kraft verwenden, kann die Scheibe zu heiß werden, sich biegen und Vibrationen herbeiführen. Verwenden Sie das Produkt mit weniger Kraft. Wenn die Vibrationen weiterhin bestehen, tauschen Sie die Scheibe aus.

## Schleifscheiben



**WARNUNG:** Schleifscheiben dürfen nicht mit Wasser in Berührung kommen. Nässe oder Feuchtigkeit können die Leistung von Schleifscheiben beeinträchtigen und erhöhen die Bruchgefahr.



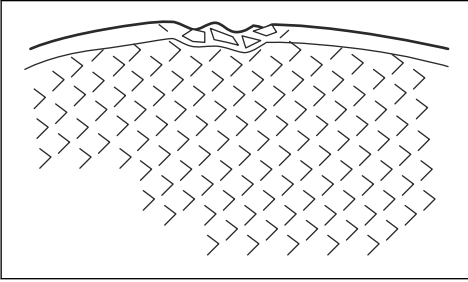
**ACHTUNG:** Das Zubehörteil darf nicht mit Schleifscheiben verwendet werden. Der Gebrauch von Schleifscheiben führt zu übermäßigem Verschleiß des Zubehörteils.



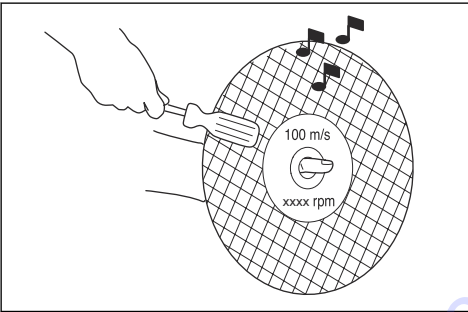
**ACHTUNG:** Verwenden Sie keine scheuernden Klingen, die die empfohlene Klingenstärke überschreiten, siehe *Technische Daten auf Seite 48*

- Verwenden Sie keine verschlissenen verstärkten Räder von größeren elektrischen Geräten. Räder, die für größere Elektrogeräte vorgesehen sind, eignen sich nicht für die höhere Drehzahl kleinerer Werkzeuge und können brechen.
- Das schneidende Material in den Schleifscheiben besteht aus Schleifkörnern, die durch organische Bindemittel zusammengehalten werden. Die materialverstärkten Trennscheiben sind auf Textil- oder Faserbasis aufgebaut, die ein totales Zerspringen bei Höchstdrehzahl verhindert, wenn die Trennscheibe reißt oder beschädigt wird.
- Die Leistung der Trennscheibe hängt von Typ und Größe der Schleifpartikel und von Typ und Härte des Bindematerials ab.

- Kontrollieren Sie die Trennscheibe auf Beschädigungen und Risse.



- Prüfen Sie die Schleifscheibe, indem Sie sie auf einen Finger hängen und mit einem Schraubenziehergriff o. Ä. leicht dagegen schlagen. Erzeugt die Scheibe keinen vollen, klingenden Ton, ist sie beschädigt.



- Stellen Sie sicher, dass die richtige Schleifscheibe für das vorgesehene Material verwendet wird.

## Diamantscheiben



**WARNUNG:** Verwenden Sie keine Diamantklinge zum Schneiden von Kunststoff. Die hohe Hitzeentwicklung während des Schneidens kann dazu führen, dass der Kunststoff schmilzt und an der Trennscheibe klebt und es zu einem Rückschlag kommt.



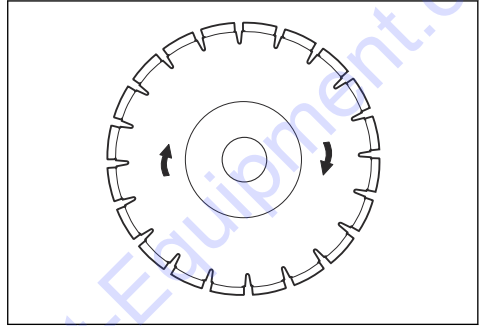
**WARNUNG:** Während des Einsatzes können Diamantscheiben sehr heiß werden. Überhitzung an der Klinge entsteht als Folge unsachgemäßer Verwendung und kann zu Verformungen der Trennscheibe und damit zu Sach- und Personenschäden führen.

**Hinweis:** Die Klinge durch Schneiden in einem weichen Material wie Sand- oder Ziegelstein schärfen.

- Immer eine scharfe Diamantscheibe benutzen.
- Diamantscheiben können stumpf werden, wenn der falsche Druck ausgeübt oder wenn damit bestimmtes Material wie beispielsweise stark

armerter Beton geschnitten wird. Die Arbeit mit einer stumpfen Diamantscheibe führt zu Überhitzung, die dazu führen kann, dass sich Diamantsegmente lösen.

- Diamantscheiben bestehen aus einem Stahlkörper mit Segmenten mit Industriediamanten.
- Diamantscheiben werden vorzugsweise für alle Arten von Mauerwerk, Beton und andere zusammengesetzte Materialien verwendet.
- Stellen Sie bei Nutzung einer Diamantscheibe sicher, dass diese in die Richtung rotiert, die der Pfeil auf der Scheibe angibt.



## Nassschneiden



**ACHTUNG:** Verwenden Sie keine Vac-Geräte zusammen mit dem Feucht-System.

- Diamantklingen für den Nassschnitt müssen mit dem Feucht-System verwendet werden.
- Wasser kühlt die Klinge und verlängert ihre Lebensdauer, während es gleichzeitig Staub verringert.
- Wenn sie nass schneiden, stellen Sie sicher, dass Sie das Abwasser sicher auffangen.

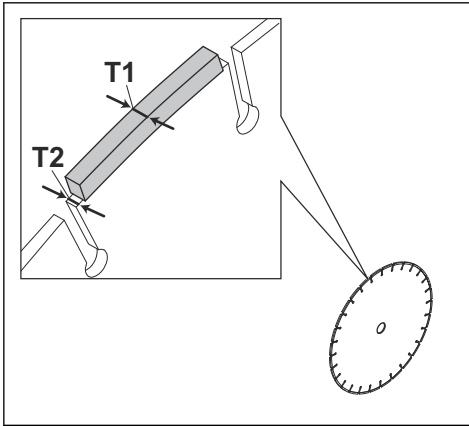
## Trockenschneiden

- Beim Trockenschnitt kann man die Scheibe abkühlen lassen, indem man sie alle 30 - 60 Sek. einfach aus der Nut zieht und zum Abkühlen ca. 10 Sek. in der Luft rotieren lässt.
- Verwenden Sie, wenn möglich, Vac-Geräte.

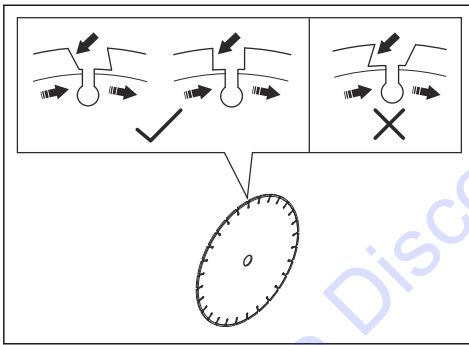
## Diamantklinge – Anforderungen



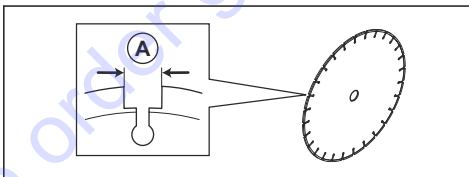
**WARNUNG:** Stellen Sie sicher, dass das Diamantsegment (T1) breiter ist als die Scheibe (T2). Dadurch wird ein Einklemmen am Schnittplatz und ein Rückschlag verhindert.



**ACHTUNG:** Verwenden Sie keine Diamantklingen mit positivem Spanwinkel.



**ACHTUNG:** Verwenden Sie nur Diamantklingen mit einem maximalen Abstand zwischen den Segmenten von 10 mm (A).



**ACHTUNG:** Verwenden Sie nur Diamantklingen mit der empfohlenen Maximalklingenstärke, siehe *Technische Daten auf Seite 48*.



**ACHTUNG:** In manchen Situationen und bei schlechten Klingen kann es zu übermäßigem Verschleiß der Segmente kommen. Ersetzen Sie die Trennscheibe, bevor sie verschlissen ist.

## Prüfen der Spindelwelle und der Flanschscheiben

Prüfen Sie die Flanschscheiben und die Spindelwelle, wenn die Trennscheibe ersetzt wird.



**ACHTUNG:** Verwenden Sie nur die von Husqvarna mitgelieferten Flanschscheiben, mit min. Durchmesser 60 mm.

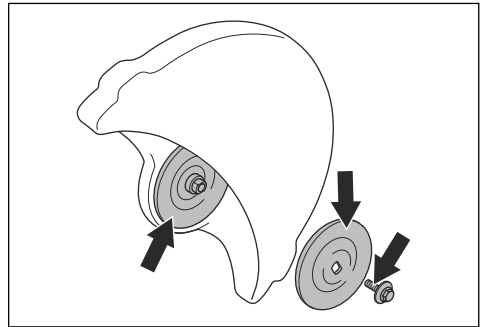


**ACHTUNG:** Verwenden Sie keine schiefen, beschädigten oder schmutzigen Flanschscheiben.



**ACHTUNG:** Keine Flanschscheiben mit unterschiedlichen Durchmessern verwenden.

- Stellen Sie sicher, dass die Gewinde der Spindelwelle nicht beschädigt sind.
- Stellen Sie sicher, dass die Flächen der Klinge und die Flanschscheiben unbeschädigt und sauber sind, die korrekten Maße besitzen und ordnungsgemäß auf der Spindelwelle arbeiten.

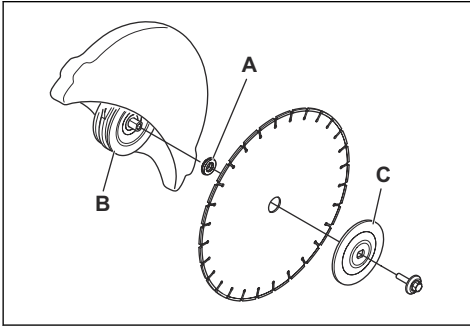


## Prüfen der Trennscheibenbuchse

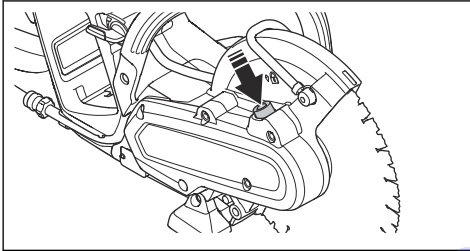
- Verwenden Sie nur Husqvarna Trennscheibenbuchsen.
- Stellen Sie sicher, dass die Trennscheibenbuchse das richtige Maß für die Trennscheibe hat. Das richtige Maß ist auf der Trennscheibe aufgedruckt.

## So befestigen Sie die Trennscheibe

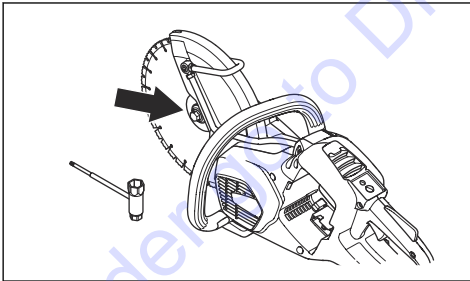
1. Die Trennscheibe wird auf der Buchse (A) zwischen der inneren Flanschscheibe (B) und der Flanschscheibe (C) angebracht. Die Flanschscheibe wird gedreht, um Sie an der Achse anzubringen.



2. Welle sperren.



3. Ziehen Sie dann die Schraube fest an. Das Anzugsmoment der Schraube, welche die Trennscheibe hält, beträgt 30 Nm.



## Zum Prüfen von Trennscheibe und Klingenschutz



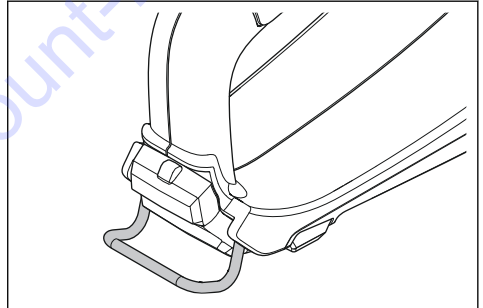
**WARNUNG:** Eine beschädigte Trennscheibe kann Verletzungen verursachen.

1. Kontrollieren Sie, ob die Trennscheibe korrekt angebracht ist und keine Schäden aufweist.
2. Stellen Sie sicher, dass der Klingenschutz keine Schäden oder Risse aufweist.
3. Ersetzen Sie den Klingenschutz bei Beschädigung. Siehe *So befestigen Sie die Trennscheibe auf Seite 38*

## Seilöse

Das Gerät verfügt über eine Seilöse. Die Seilöse kann zum Anheben und Absenken des Geräts verwendet werden. Befestigen Sie eine passende Schlinge an der Seilöse, um das Gerät zu heben und zu senken.

Die Seilöse kann verwendet werden, um das Gerät an einem soliden Gegenstand zu befestigen, um zu verhindern, dass es herunterfällt und Personen oder Gegenstände beschädigt.

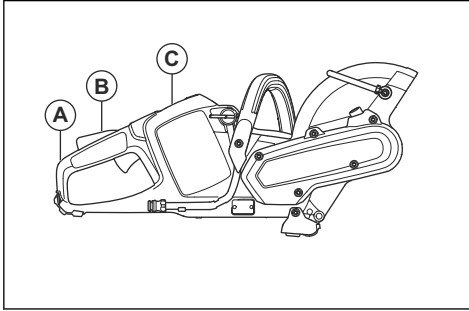


## Betrieb

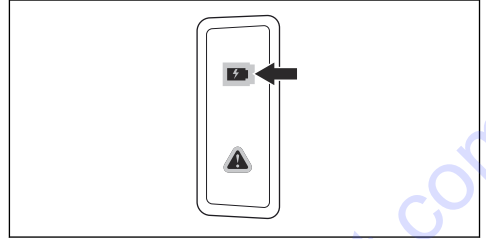
### So führen Sie eine Funktionsprüfung vor Verwendung des Geräts durch

1. Prüfen Sie den Rechtshandschutz (A), um sicherzustellen, dass er nicht beschädigt ist.
2. Prüfen Sie die Gashebelsperre (B), um sicherzustellen, dass sie ordnungsgemäß funktioniert und nicht beschädigt ist.
3. Kontrollieren Sie, ob die Tastatur (C) ordnungsgemäß funktioniert.
4. Kontrollieren Sie, ob alle Teile und Schutzvorrichtungen korrekt befestigt und nicht beschädigt sind und keine Teile fehlen.
5. Laden Sie den Akku und stellen Sie sicher, dass er richtig am Gerät befestigt ist.

- Stellen Sie sicher, dass der Trennschleifer anhält, wenn Sie den Gashebel lösen.



- Stellen Sie sicher, dass die grüne Ladeanzeige auf dem Ladegerät aufleuchtet. Das bedeutet, dass der Akku richtig mit dem Ladegerät verbunden ist.

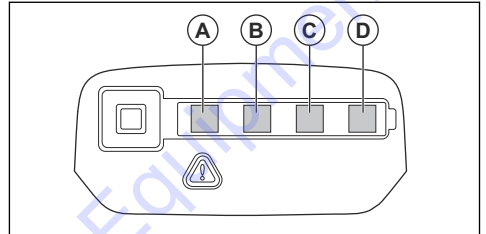


## So schließen Sie das Akkuladegerät an

- Schließen Sie das Akkuladegerät an eine Quelle mit der auf dem Typenschild angegebenen Spannung und Frequenz an.
- Stecken Sie den Netzstecker in eine geerdete Steckdose. Die LED am Ladegerät blinkt einmal grün.

**Hinweis:** Der Akku wird nicht aufgeladen, wenn die Akkutemperatur über 50 °C beträgt. In diesem Fall wird der Akku durch das Ladegerät abgekühlt, bevor er weiter aufgeladen wird.

- Wenn alle LEDs am Akku leuchten, ist er vollständig aufgeladen.

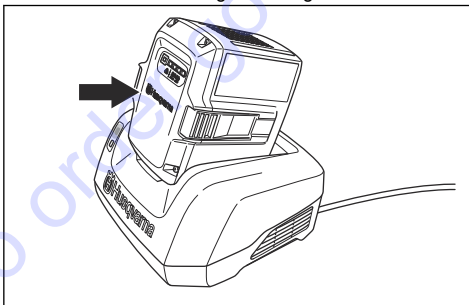


- Um das Ladegerät von der Steckdose zu trennen, ziehen Sie den Netzstecker. Ziehen Sie nicht am Kabel.
- Den Akku aus dem Ladegerät entnehmen.

## So schließen Sie den Akku an das Akkuladegerät an

**Hinweis:** Laden Sie den Akku, wenn Sie ihn zum ersten Mal verwenden. Ein neuer Akku ist nur zu 30 % geladen.

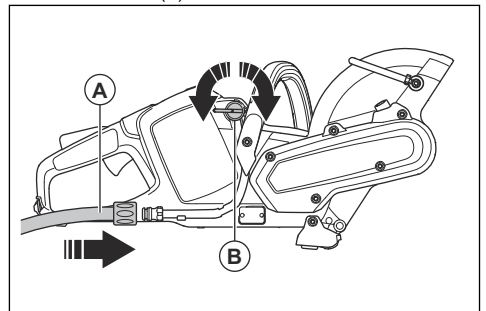
- Stellen Sie sicher, dass der Akku trocken ist.
- Den Akku in das Ladegerät einlegen.



**Hinweis:** Weitere Informationen entnehmen Sie bitte den Bedienungsanleitungen für den Akku und das Ladegerät.

## Zum Anschließen von Kühlwasser

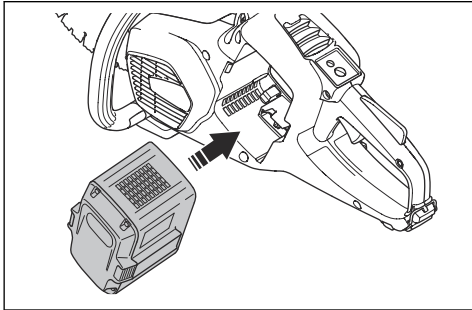
- Schließen Sie den Wasserschlauch an die Wasserzufuhr (A) an.



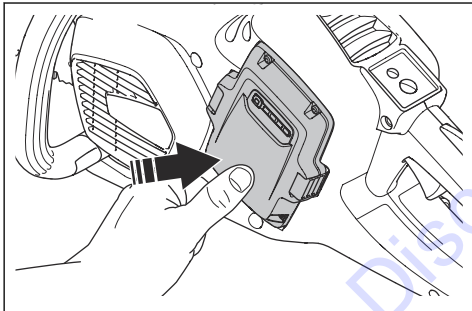
- Drehen Sie den Wasserhahn (B) auf oder zu.
- Überprüfen Sie den Wasseranschluss und Schlauch auf Undichtigkeiten.
- Stellen Sie sicher, dass der Wasserdruck den zulässigen Höchstdruck nicht überschreitet, siehe *Technische Daten*.

## So starten Sie das Gerät

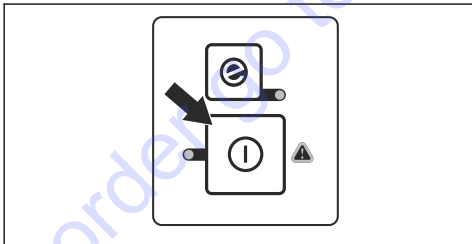
1. Kontrollieren Sie den Gashebel und die Gashebelsperre. Siehe *So prüfen Sie die Gashebelsperre auf Seite 44.*
2. Legen Sie den Akku in den Akkuhalter ein.



3. Drücken Sie auf den unteren Teil des Akkus, bis Sie ein Klicken hören. Wenn der Akku nicht leicht in den Akkuhalter gleitet, ist er nicht richtig in den Akkuhalter eingesetzt.



4. Drücken und halten Sie die Start-/Stopptaste, bis die grüne LED aufleuchtet.

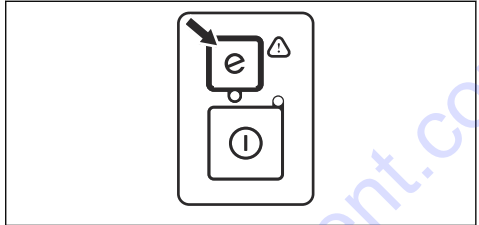


## So verwenden Sie die SavE-Akkusparfunktion

Dieses Gerät verfügt über die Energiesparfunktion SavE. Die Funktion SavE drosselt die Scheibendrehzahl und bietet die längste Betriebsdauer des Akkus.

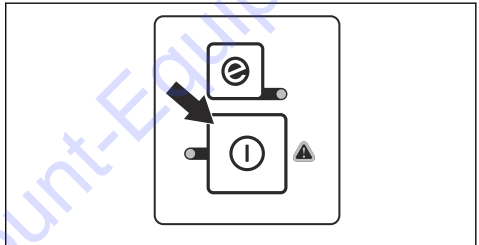
**Hinweis:** Die Funktion SavE vermindert nicht die Schneidleistung des Geräts.

1. Drücken Sie die SavE-Taste (Energiespartaste) auf der Tastatur.
2. Stellen Sie sicher, dass die grüne LED aufleuchtet.
3. Drücken Sie die SavE-Taste (Energiespartaste) erneut, um die Funktion zu unterbrechen. Die grüne LED erlischt.

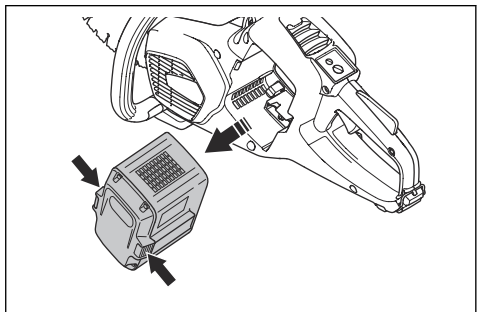


## So stoppen Sie das Produkt

1. Drücken und halten Sie die Stopptaste auf der Tastatur, bis die grüne LED erlischt.



2. Drücken Sie die Akkuentriegelungstasten und nehmen Sie den Akku aus dem Akkuhalter.



**WARNUNG:** Entfernen Sie den Akku, wenn sie das Gerät nicht verwenden oder es nicht vollständig im Blick haben. So verhindern Sie ein unbeabsichtigtes Starten.

## Grundlegende Arbeitstechnik



**WARNUNG:** Bewegen Sie den Trennschleifer nicht zur Seite. Dies kann die freie Bewegung der Klinge behindern und dazu führen, dass die Trennscheibe bricht, was zu Verletzungen führen kann.



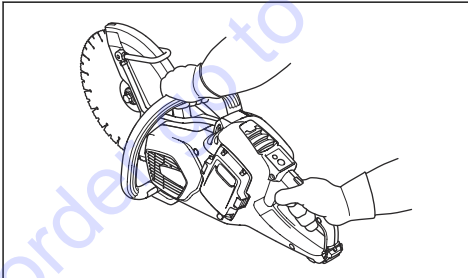


**WARNUNG:** Verwenden Sie niemals die Scheibenseite. Es besteht die Gefahr, dass die Trennscheibe beschädigt oder zerbrochen wird, was Verletzungen verursachen kann. Verwenden Sie nur die Schneidkante.



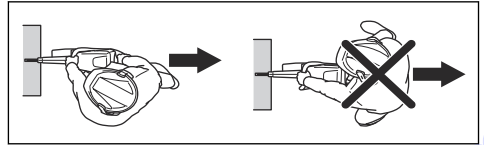
**WARNUNG:** Verwenden Sie keine Diamantklinge zum Schneiden von Kunststoff. Die entstehende Hitze kann dazu führen, dass der Kunststoff schmilzt. Geschmolzener Kunststoff kann an der Trennscheibe kleben bleiben und zu einem Rückschlag führen.

- Das Gerät ist für Hochgeschwindigkeits-Diamanttrennscheiben bestimmt, die für handgeführte Trennschleifer zugelassen sind.
- Das Produkt ist für das Schneiden von Fliesen, leichtem Beton und Stein bestimmt. Setzen Sie das Gerät nur für diese Art von Arbeiten ein.
- Achten Sie darauf, dass die Trennscheibe keine Schäden aufweist und dass sie richtig angeschlossen ist, siehe *Schleifscheiben auf Seite 35* und *So befestigen Sie die Trennscheibe auf Seite 38*.
- Stellen Sie sicher, dass Sie für diese Art von Arbeiten die richtige Art von Trennscheibe verwenden; lesen Sie hierzu *Trennscheiben für handgeführte Hochgeschwindigkeits-Trennschleifer auf Seite 35*.
- Schneiden Sie kein asbesthaltiges Material.
- Halten Sie den Trennschleifer immer mit zwei Händen fest. Halten Sie das Gerät immer fest mit Daumen und Fingern an den Griffen. Halten Sie immer den hinteren Griff mit der rechten Hand und den vorderen Handgriff mit der linken Hand.

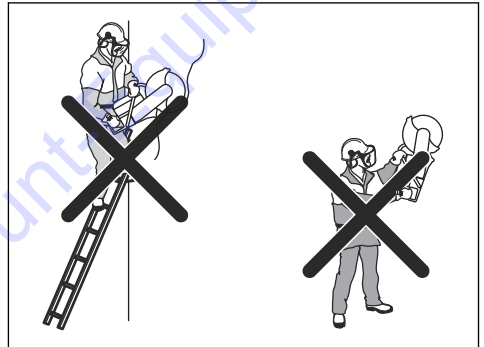


- Stehen Sie immer parallel zur Trennscheibe. Stellen Sie sich nicht linear hinter die Trennscheibe. Im Fall

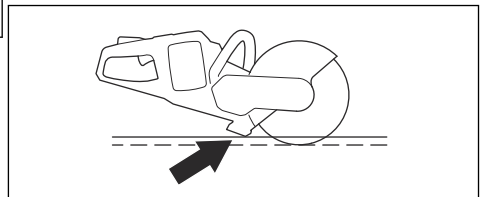
eines Rückschlags bewegt sich der Trennschleifer in der Ebene der Trennscheibe.



- Halten Sie bei laufendem Motor einen Sicherheitsabstand zur Trennscheibe.
- Stellen Sie sicher, dass Sie während des Betriebs in einer stabilen Position sind.
- Halten Sie einen entsprechenden Abstand von dem Objekt, das Sie schneiden.
- Unter keinen Umständen oberhalb der Schulterhöhe bedienen. Eine Plattform oder ein Gerüst verwenden, wenn die Schneidarbeit oberhalb der Schulter erfolgt. Sorgen Sie für einen festen Stand.
- Arbeiten Sie nicht von einer Leiter aus.

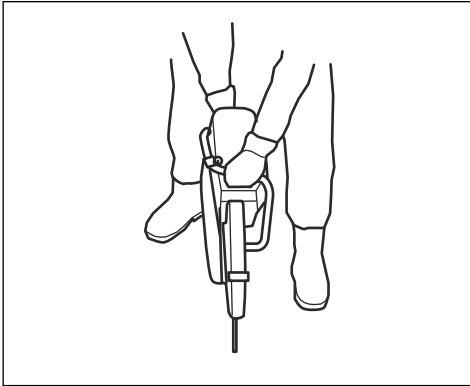


- Achten Sie darauf, dass die Trennscheibe frei ist, wenn der Motor gestartet wird.
- Achten Sie immer auf das Gerät, wenn der Motor läuft.
- Bewegen Sie auf keinen Fall das Gerät, wenn die Trennscheibe sich dreht. Das Gerät verfügt über eine elektrische Bremse zur Verringerung der Anhaltezeit der Trennscheibe.
- Stellen Sie sicher, dass die Bodenstütze vorne bündig mit dem Werkstück am Ende ist. Der Klingenschutz sammelt Spritzer und Staub und führt sie vom Bediener weg.

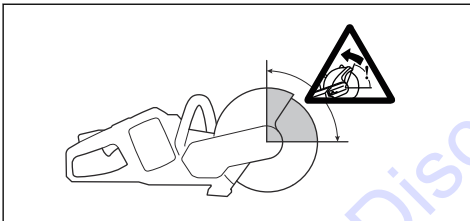


- Schneiden Sie mit Vollgas. Behalten Sie die volle Drehzahl bei, bis der Schneidvorgang abgeschlossen ist.

- Drücken Sie die Trennscheibe leicht gegen das Objekt, das Sie schneiden. Verwenden Sie keine Gewalt.
- Richten Sie die Trennscheibe nach dem Schnitt aus.



- Bewegen Sie die Trennscheibe langsam nach vorn und nach hinten zur Reduzierung des Bereich zwischen der Trennscheibe und dem Material. Dadurch verringert sich die Temperatur der Trennscheibe.



- Sägen Sie nicht mit dem Rückschlagbereich der Trennscheibe, siehe *Rückschlag auf Seite 42*.

## Rückschlag



**WARNUNG:** Rückschläge treten unerwartet auf und können sehr gefährlich sein. Das Gerät kann in einer rotierenden Bewegung nach oben und nach hinten in Richtung des Bedieners bewegt werden. Ein Rückschlag kann zu schweren bis tödlichen Verletzungen führen. Stellen Sie sicher, dass Sie vor dem Gebrauch des Produkts die Ursachen von Rückschlägen verstehen und wie Sie sie vermeiden.

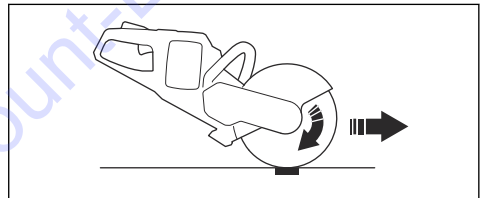
Ein Rückschlag tritt auf, wenn die Klinge im Rückschlagbereich eingeklemmt ist. Meist sind sie nicht

gefährlich, aber ein starker Rückschlag kann zu schweren oder tödlichen Verletzungen führen.



## Rückschlageffekt

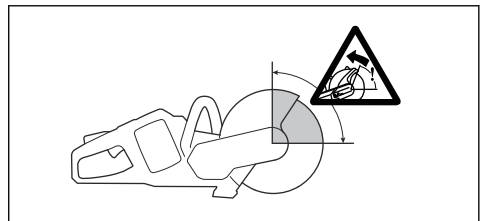
- Das Produkt wird von einer Reaktionskraft in die zur Bewegung der Trennscheibe entgegengesetzte Richtung gezogen. Die meiste Zeit ist dieser Effekt nicht stark. Wird die Klinge eingeklemmt, kann die Stärke der Reaktionskraft zu einem Rückschlag führen.



- Kippen Sie das Produkt nicht, wenn die Schneidvorrichtung rotiert. Zentrifugalkräfte können Bewegungen verringern.

## Rückschlagbereich

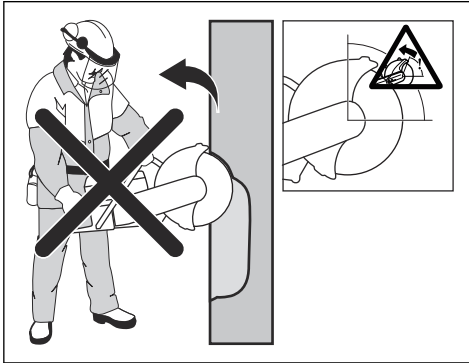
- Schneiden Sie nicht mit dem Rückschlagbereich der Klinge. Wird die Klinge im Rückschlagbereich eingeklemmt, kann die Heftigkeit des Rückschlageffekts dazu führen, dass sich das Gerät nach oben und hinten bewegt. Es kann den Bediener treffen und zu schweren Verletzungen oder zum Tod führen.



## Hochschlagen des Geräts durch Rückschlageffekt

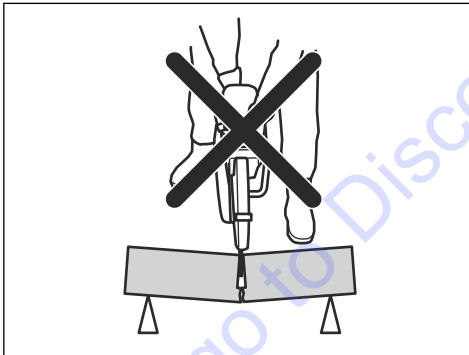
- Schneiden Sie deshalb nicht mit dem Rückschlagbereich. Wird im Rückschlagbereich

geschnitten, bewegt der Rückstoßeffekt die Trennscheibe hoch in den Schnitt. Ein Hochschlagen des Gerätes können Sie dadurch verhindern, dass Sie mit dem unteren Teil der Klinge schneiden.



### Blockierung

- Eine Trennscheibe wird eingeklemmt, wenn der Schnitt sich schließt und die Drehung der Trennscheibe stoppt. Wird die Klinge eingeklemmt, kann die Stärke der Reaktionskraft zu einem Rückschlag führen.



- Stellen Sie sicher, dass das Werkstück gehalten wird, damit der Schnitt während eines Schneidvorgangs offen bleibt. Schätzen Sie ab, wie sich das Werkstück während der letzten Phase des Schneidvorgangs bewegen könnte. Stellen Sie sicher, dass der Schnitt sich beim Schneiden öffnet. Ein Schnitt, der sich schließt, kann zu einem Rückschlag durch Einklemmen führen.

## Schneiden von Rohren

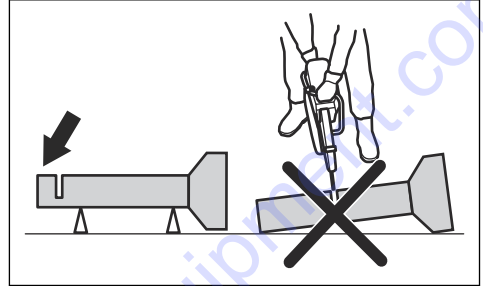


**WARNUNG:** Wird die Klinge im Rückschlagbereich eingeklemmt, führt dies zu einem Rückschlageffekt.

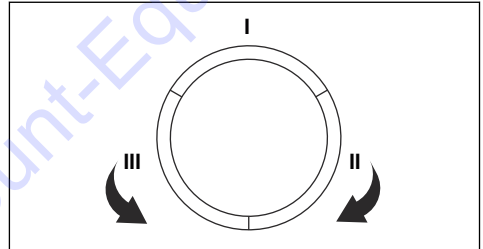
Beim Schneiden von Rohren Vorsicht walten lassen. Das Rohr muss stets korrekt in Position bleiben und die

Schnittstelle muss während des gesamten Schneidprozesses offen gehalten werden. Ist dies nicht der Fall, kann die Klinge eingeklemmt werden. Seien Sie besonders vorsichtig beim Schneiden eines Rohrs mit Glocken-Ende oder eines Rohrs in einem Graben. Wenn es nicht über ausreichende Abstützung verfügt, kann die Klinge eingeklemmt werden.

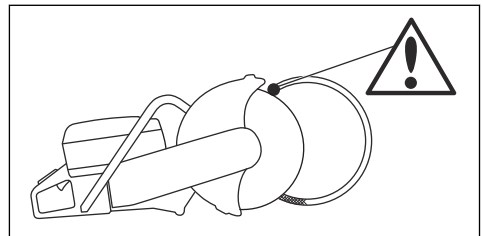
1. Stellen Sie sicher, dass das Rohr sich während des Schneidens nicht bewegt.



2. Schneiden Sie mit Abschnitt „I“.



3. Stellen Sie sicher, dass der Schnitt geöffnet wird, um ein Einklemmen zu verhindern.



4. Wechseln Sie auf Seite II und schneiden Sie von Abschnitt I bis zur Unterseite des Rohrs.
5. Wechseln Sie auf Seite III und schneiden Sie den restlichen Teil des Rohrs.
6. Stellen Sie sicher, dass das Rohr fest sitzt. Das Ende des Rohrs muss sich während des Schneidens nach unten bewegen.

## Um Einklemmen zu verhindern



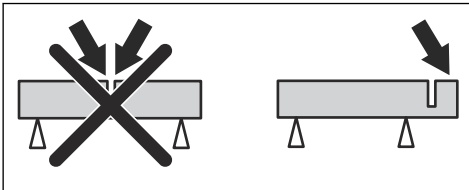
**WARNUNG:** Lassen Sie nicht zu, dass sich der Schnitt während des Schneidens schließt. Ein Schnitt, der sich schließt, kann

zum Einklemmen führen, wodurch es zu einem Rückschlag oder Schäden an der Trennscheibe kommen kann.



**WARNUNG:** Seien Sie vorsichtig, wenn die Trennscheibe in einen Schnitt gebracht wird, der schon vorhanden war.

- Stellen Sie sicher, dass das Werkstück sich während der Arbeit nicht bewegen kann.
- Stellen Sie sicher, dass das Werkstück gehalten wird, damit der Schnitt während eines Schneidevorgangs offen bleibt.
- Schätzen Sie ab, wie sich das Werkstück während der letzten Phase des Schneidevorgangs bewegen könnte.
- Stellen Sie sicher, dass der Schnitt sich beim Schneiden öffnet.



## Zum Umgang mit Staub

- Das Produkt verfügt über ein Flachschnide-Wassersystem. Verwenden Sie, wenn möglich, Nassschneiden. Beachten Sie die Anweisungen unter *Zum Anschließen von Kühlwasser auf Seite 39*. Der richtige Fluss ist für verschiedene Arten von Aufgaben unterschiedlich. Wenn sich der Wasserschlauch an der Versorgungsquelle löst, kann der angewandte Wasserdruck zu hoch sein. Beachten Sie *Technische Daten auf Seite 48* zum empfohlenen Wasserdruck.
- Stellen Sie den Wasserzufluss mit dem Ventil ein.

## Wartung

### Einleitung



**WARNUNG:** Lesen Sie vor Wartungsarbeiten am Gerät das Kapitel über Sicherheit, und machen Sie sich damit vertraut.



**WARNUNG:** Entfernen Sie den Akku, bevor Sie Wartungsarbeiten am Gerät durchführen.

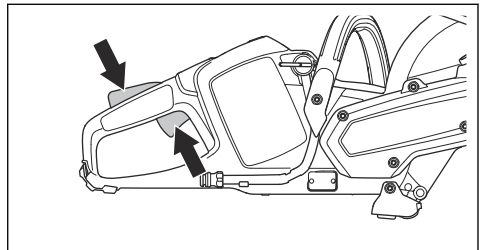


**WARNUNG:** Das Nichtbeachten der Wartungsanweisungen kann die Haltbarkeit beeinträchtigen und die Unfallgefahr erhöhen. Alle Wartungs- und/oder Reparaturarbeiten müssen ebenfalls durch einen Fachbetrieb durchgeführt werden. Wenden Sie sich für weitere Informationen an Ihren Servicehändler.

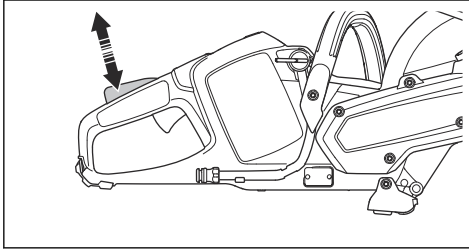
### Wartung und Prüfung der Sicherheitseinrichtungen auf dem Gerät

#### So prüfen Sie die Gashebelsperre

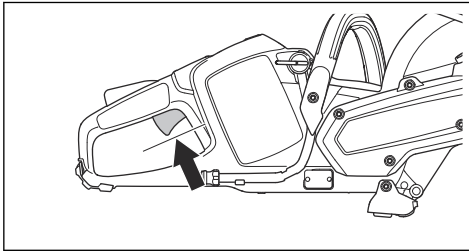
1. Prüfen Sie, ob sich der Gashebel und die Gashebelsperre frei bewegen lassen und ob die Rückholfeder korrekt funktioniert.



2. Drücken Sie die Gashebelsperre herunter und kontrollieren Sie, ob sie beim Loslassen in die Ausgangsstellung zurückkehrt.



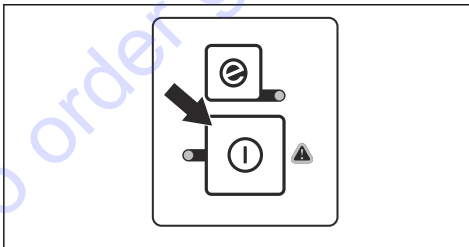
3. Stellen Sie sicher, dass der Gashebel in der Leerlaufposition verriegelt ist, wenn die Gashebelsperre freigegeben wird.



4. Starten Sie das Gerät und lassen es auf voller Leistung laufen.
5. Lassen Sie den Gashebel los, und stellen Sie sicher, dass die Trennscheibe stoppt. Dreht sich die Trennscheibe, wenn der Gashebel in Leerlaufstellung steht, wenden Sie sich an Ihren Servicehändler.

### So prüfen Sie die Tastatur

1. Starten Sie das Gerät. Siehe *So prüfen Sie die Gashebelsperre auf Seite 44*.
2. Drücken Sie erneut die Start-/Stopptaste.
3. Stellen Sie sicher, dass das Gerät anhält, wenn Sie die Taste drücken und halten. Die grüne LED erlischt.



## So reinigen Sie den Akku und das Ladegerät

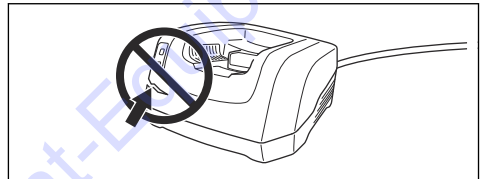


**ACHTUNG:** Reinigen Sie weder den Akku noch das Ladegerät mit Wasser.

- Stellen Sie sicher, dass der Akku und das Ladegerät sauber und trocken sind, bevor Sie den Akku in das Ladegerät einlegen.
- Reinigen Sie die Akkuklemmen mit Druckluft oder einem weichen, trockenen Tuch.
- Reinigen Sie die Oberflächen des Akkus und des Ladegeräts mit einem weichen, trockenen Tuch.

## Kontrollieren Sie das Akkuladegerät

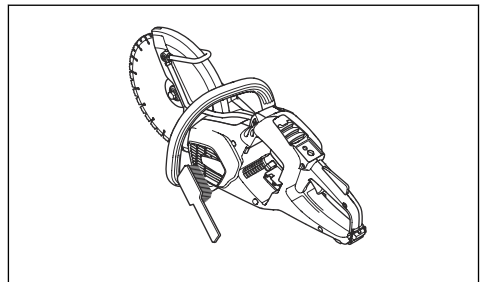
1. Stellen Sie sicher, dass das Akkuladegerät und das Netzkabel nicht beschädigt sind. Suchen Sie nach Rissen und anderen Schäden.



## So reinigen Sie das Kühlsystem

Das Gerät ist mit einem Kühlsystem ausgestattet, um die Temperatur des Geräts so gering wie möglich zu halten.

Das Kühlsystem besitzt unter anderem einen Lufteinlass auf der linken Seite des Geräts und ein Lüfter am Motor.



1. Reinigen Sie das Kühlsystem wöchentlich oder bei Bedarf häufiger mit einer Bürste.
2. Stellen Sie sicher, dass das Kühlsystem nicht verschmutzt oder verstopft ist.



**ACHTUNG:** Eine Verschmutzung oder Verstopfung des Kühlsystems kann das Gerät zu heiß werden lassen.

# Wartungsplan

Nachstehend sind die am Gerät vorzunehmenden  
Wartungsmaßnahmen aufgelistet.



**WARNUNG:** Entfernen Sie den Akku, bevor  
Sie Wartungsarbeiten durchführen.

Wartung	Vor der Verwen- dung	Wöchen- tlich	Monat- lich
Reinigen Sie die äußeren Bauteile des Geräts.	X		
Stellen Sie sicher, dass der Gashebel und die Gashebelsperre sicherheitstechnisch ordnungsgemäß funktionieren.	X		
Prüfen Sie die Trennscheibe. Untersuchen Sie sie auf Risse und stellen Sie sicher, dass die Trennscheibe nicht unnormal verschlissen ist. Tauschen Sie sie bei Bedarf aus.	X		
Reinigen Sie das Lüftergehäuse am Gerät.	X		
Vergewissern Sie sich, dass alle Schrauben und Muttern fest angezogen sind.	X		
Stellen Sie sicher, dass die Tastatur ordnungsgemäß funktioniert und unbeschädigt ist.	X		
Überprüfen Sie die Verbindungen zwischen dem Akku und dem Gerät durch. Überprüfen Sie die Verbindung zwischen dem Akku und dem Ladegerät.			X
Blasen Sie das Produkt und den Akku leicht mit Druckluft durch.			X

## Fehlerbehebung

### Tastatur

Störung	Ursache	Lösung
Warnanzeige blinkt.	Temperaturabweichung.	Warten Sie, bis sich das Gerät abgekühlt hat.
	Überlastung Die Schneid- ausrüstung ist verstopft.	Reinigen Sie die Schneid-ausrüstung.
	Der Gashebel und die Start- taste werden gleichzeitig ge- drückt.	Lassen Sie den Gashebel los.
Grüne LED blinkt.	Geringe Akkuspannung.	Laden Sie den Akku.
Die Warnan- zeige leuchtet.	Service.	Wenden Sie sich an Ihren Servicehändler.

## Akku

Störung	Ursache	Lösung
Warnanzeige blinkt.	Der Akku ist nicht geladen.	Laden Sie den Akku.
	Temperaturabweichung.	Der Akku darf nur in Umgebungen mit Temperaturen zwischen -10 °C und 40 °C verwendet werden.
	Spannung ist zu hoch.	Kontrollieren Sie, ob die Spannung des Akkus mit der auf dem Typenschild des Produkts übereinstimmt. Nehmen Sie den Akku aus dem Ladegerät.
Die Warnanzeige leuchtet.	Die Akkuzellendifferenz ist zu groß (1 V).	Wenden Sie sich an Ihren Servicehändler.

## Akkuladegerät

Störung	Ursache	Lösung
Warnanzeige blinkt.	Temperaturabweichung.	Der Akku darf nur in Umgebungen mit Temperaturen zwischen 5 °C und 40 °C verwendet werden.
Die Warnanzeige leuchtet.		Wenden Sie sich an Ihren Servicehändler.

## Transport, Lagerung und Entsorgung

### Transport und Lagerung

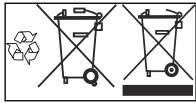
- Die mitgelieferten Lithium-Ionen-Akkus entsprechen den Anforderungen des Gefahrgutrechts.
- Beachten Sie für den gewerblichen Transport, darunter durch Dritte oder Speditionen, die gesonderten Anforderungen auf Verpackung und Etiketten.
- Sprechen Sie, bevor Sie das Gerät versenden, mit einer Person, die speziell im Gefahrgutversand geschult ist. Beachten Sie sämtliche geltende nationale Vorschriften.
- Bedecken Sie offene Kontakte mit Klebeband, wenn Sie den Akku in eine Verpackung legen. Sorgen Sie dafür, dass der Akku in der Verpackung nicht verrutschen kann.
- Entnehmen Sie den Akku für die Lagerung oder den Transport.
- Bringen Sie den Akku und das Ladegerät an einem Ort unter, der trocken und frei von Feuchtigkeit und Frost ist.
- Lagern Sie den Akku nicht an einem Ort, an dem es zu elektrostatischen Entladungen kommen kann. Bewahren Sie den Akku nicht in einem Metallkasten auf.
- Sorgen Sie bei der Lagerung des Akkus dafür, dass die Temperatur zwischen 5 °C (41 °F) und 25 °C (77 °F) liegt und der Akku keinem direkten Sonnenlicht ausgesetzt ist.
- Sorgen Sie bei der Lagerung des Ladegeräts dafür, dass die Temperatur zwischen 5 °C (41 °F) und 45 °C (113 °F) liegt und das Ladegerät keinem direkten Sonnenlicht ausgesetzt ist.
- Laden Sie den Akku auf 30 bis 50 %, bevor Sie ihn über längere Zeit einlagern.
- Lagern Sie das Ladegerät in einem geschlossenen und trockenen Raum.
- Achten Sie bei der Lagerung darauf, dass sich der Akku nicht in unmittelbarer Nähe zum Ladegerät befindet. Kinder und andere nicht befugte Personen dürfen die Ausstattung nicht berühren. Verwahren Sie die Ausstattung in einem abschließbaren Raum.
- Reinigen Sie das Gerät und führen Sie umfassende Servicearbeiten durch, bevor Sie es längere Zeit einlagern.
- Verwenden Sie für das Gerät einen Transportschutz, um Verletzungen oder Schäden am Gerät bei Transport und Lagerung zu vermeiden.
- Befestigen Sie das Gerät während des Transports sicher.

### Entsorgung von Akku, Ladegerät und Gerät

Das Symbol unten bedeutet, dass das Gerät nicht über den Hausmüll entsorgt werden darf. Recyceln Sie es an einer Recyclingstation für elektrische und elektronische

Geräte. So werden Umwelt- und Personenschäden vermieden.

Weitere Informationen erhalten Sie bei örtlichen Behörden, dem Abfallentsorgungsunternehmen oder Ihrem Händler.



**Hinweis:** Das Symbol ist auf dem Gerät oder der Verpackung des Geräts zu finden.

## Technische Angaben

### Technische Daten

<b>Husqvarna K 535i</b>				
Spannung		36V		
Gewicht, kg		3,5 (7,7)		
Klingendurchmesser, mm		230		
Max. Klingenstärke, mm	Schleifscheiben		3,0	
	Diamantklingen		1.8	
Nenn Drehzahl Gerät		5940 U/min		
<b>Wasserkühlung</b>				
Wasserkühlung der Scheibe		Ja		
Verbindungsstück		Typ „Gardena“		
Empfohlener Wasserdruck, bar (psi)		0.5 – 6 (7,3 – 87)		
Maximaler Wasserdruck, bar (psi)		6 (87)		
	<b>Vibrationspegel, <math>a_{hveq}^1</math></b>		<b>Geräuschemissionen <sup>2</sup></b>	
	Vorn/Links	Hinten rechts	LpA	LwA
	m/s <sup>2</sup>	m/s <sup>2</sup>	dB(A)	dB(A)
BLi200	1,9	2,3		
BLi300	2.1	2.5	100,5	111,5
<sup>1</sup> Der angegebene Vibrationsgesamtwert wurde gemäß EN 60745-2-22 gemessen und kann zum Vergleich von Werkzeugen herangezogen werden. Der angegebene Vibrationsgesamtwert kann auch bei der vorläufigen Beurteilung der Exposition verwendet werden.				
<sup>2</sup> Die Geräuschemissionen werden in Übereinstimmung mit EN 60745-2-22 gemessen.				
<ul style="list-style-type: none"> <li>• Unsicherheit für den A-bewerteten Schalleistungspegel <math>K_{pA}</math> ist 3 dB(A).</li> <li>• Unsicherheit für den A-bewerteten Schalldruckpegel <math>K_{pA}</math> ist 3 dB(A).</li> </ul>				



---

## Zubehör

---

### Zugelassene Akkus für das Gerät

Akku	BLi200	BLi300
Typ	Lithium-Ionen	Lithium-Ionen
Akkukapazität, Ah	5,2	9,4
Akkuspannung, V	36	36
Gewicht, kg	1,3	1,9

### Zugelassene Ladegeräte für das Gerät

Akkuladegerät	QC330
Netzspannung, V	100-240
Frequenz, Hz	50-60
Leistung, W	330

**TO PURCHASE THIS PRODUCT PLEASE CONTACT US**



**Equipment Financing and  
Extended Warranties Available**



**Discount-Equipment.com is your online resource for  
commercial and industrial quality parts and equipment sales.**

**561-964-4949**

**visit us on line @ [www.discount-equipment.com](http://www.discount-equipment.com)**

Select an option below to find your Equipment

**Search by Manufacturer**

**Search by Product Type**

**Request a Quote**

We sell worldwide for the brands: Genie, Terex, JLG, MultiQuip, Mikasa, Essick, Whiteman, Mayco, Toro Stone, Diamond Products, Generac Magnum, Airman, Haulotte, Barreto, Power Blanket, Nifty Lift, Atlas Copco, Chicago Pneumatic, Allmand, Miller Curber, Skyjack, Lull, Skytrak, Tsurumi, Husquvarna Target, Stow, Wacker, Sakai, Mi-T-M, Sullair, Basic, Dynapac, MBW, Weber, Bartell, Bennar Newman, Haulotte, Ditch Runner, Menegotti, Morrison, Contec, Buddy, Crown, Edco, Wyco, Bomag, Laymor, EZ Trench, Bil-Jax, F.S. Curtis, Gehl Pavers, Heli, Honda, ICS/PowerGrit, IHI, Partner, Imer, Clipper, MMD, Koshin, Rice, CH&E, General Equipment, Amida, Coleman, NAC, Gradall, Square Shooter, Kent, Stanley, Tamco, Toku, Hatz, Kohler, Robin, Wisconsin, Northrock, Oztec, Toker TK, Rol-Air, APT, Wylie, Ingersoll Rand / Doosan, Innovatech, Con X, Ammann, Mecalac, Makinex, Smith Surface Prep, Small Line, Wanco, Yanmar

# Sommaire

Introduction.....	51	Dépannage.....	72
Sécurité.....	53	Transport, entreposage et mise au rebut.....	73
Montage.....	60	Caractéristiques techniques.....	73
Utilisation.....	64	Accessoires.....	74
Entretien.....	70	Déclaration de conformité CE.....	76

## Introduction

### Description du produit

Husqvarna K 535i est une découpeuse portative. Le produit est alimenté par une batterie.

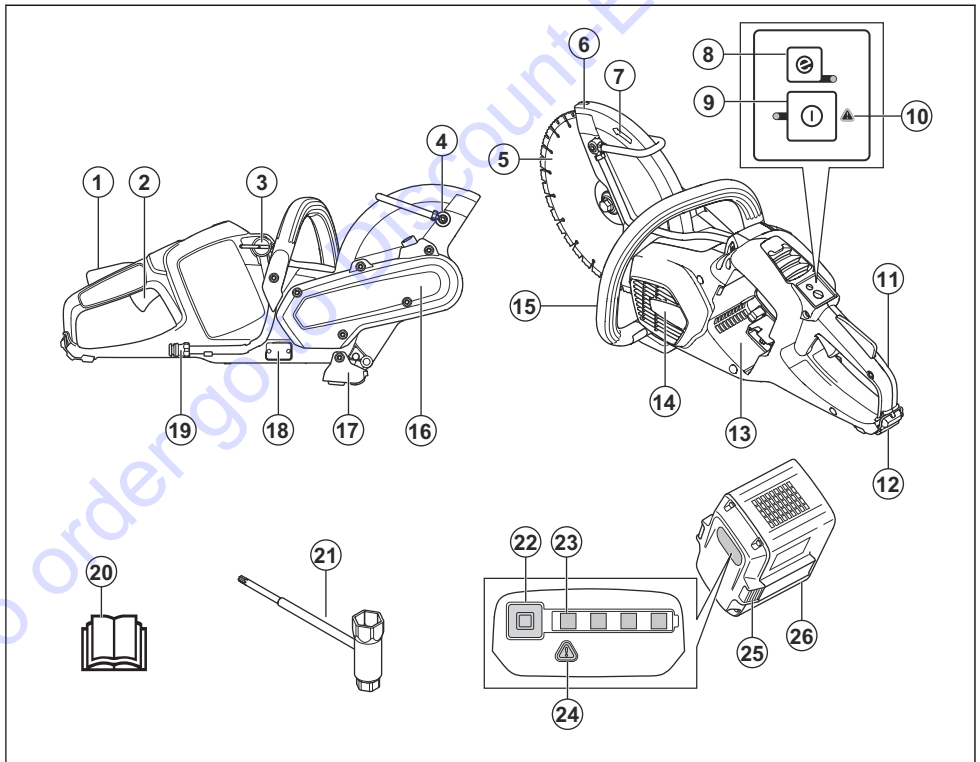
Nous travaillons en permanence à l'amélioration de votre sécurité et de votre efficacité pendant l'utilisation. Pour davantage d'informations, contactez votre atelier d'entretien.

### Utilisation prévue

Ce produit est conçu pour découper des tuiles, des dalles extérieures et du béton léger.

**Remarque:** la législation nationale peut limiter l'utilisation de ce produit.

### Aperçu du produit



1. Blocage de la gâchette de puissance

2. Gâchette de puissance

3. Robinet d'eau
4. Buse d'eau
5. Lame de coupe
6. Protège-lame
7. Rotation de lame
8. Bouton SavE
9. Bouton marche/arrêt
10. Témoin d'avertissement
11. Poignée arrière avec protection de la main droite
12. Support de terre arrière avec œillet de câble
13. Emplacement de batterie
14. Logement de ventilateur
15. Poignée avant
16. Carter de la courroie
17. Support de terre avant
18. Plaque d'identification
19. Raccord d'eau avec filtre
20. Manuel de l'opérateur
21. Clé mixte
22. Bouton, état de la batterie
23. État de la batterie
24. Témoin d'avertissement
25. Bouton de libération de la batterie
26. Batterie (non fournie)



Les rebonds peuvent être soudains, rapides et provoquer des blessures. Lisez et assimilez les instructions du manuel avant d'utiliser le produit.




Assurez-vous que la lame n'est pas fissurée ou endommagée.



N'utilisez pas de lames d'éclaircissage.



**Marquage environnemental.** Le produit ou son emballage ne font pas partie des ordures ménagères. Déposez-le dans un site de recyclage pour équipements électriques et électroniques.

	Sens de rotation du disque
yyyywwxxxx	La plaque signalétique indique le numéro de série. <b>yyyy</b> est l'année de production, <b>ww</b> est la semaine de production.
∅	Diamètre extérieur de lame maximum
c.c.	Courant continu
n	Vitesse nominale

## Symboles concernant le produit



Risque de blessures graves, voire mortelles, pour l'opérateur ou d'autres personnes présentes. Soyez prudent et utilisez le produit correctement.



Lisez attentivement et assimilez le manuel avant d'utiliser le produit.



Portez un casque de protection, un masque filtrant, des protège-oreilles et des protections pour les yeux homologués.



Ce produit est conforme aux directives CE en vigueur.



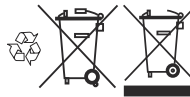
Les émanations de découpe étant nocives en cas d'inhalation, veuillez utiliser un masque filtrant homologué et évitez de les inhaler. Assurez-vous que la ventilation est suffisante.



Les étincelles provoquées par la lame de coupe peuvent embraser les matériaux inflammables tels que l'essence, le bois, le tissu et l'herbe sèche.

**Remarque:** les autres symboles/autocollants présents sur le produit concernent des exigences de certification spécifiques à certains marchés.

## Symboles sur la batterie et/ou son chargeur



Déposez ce produit dans une station de recyclage pour équipements électriques et électroniques. (Concerne seulement l'Europe)



Transformateur à sécurité intégrée.



Utilisez et stockez le chargeur de batterie en intérieur uniquement.



Double isolation.

## Responsabilité

Conformément à la loi sur la responsabilité du fait des produits, nous déclinons toute responsabilité pour tout dommage causé par notre produit si :

- le produit n'est pas correctement réparé ;
- le produit est réparé avec des pièces qui ne proviennent pas du fabricant ou qui ne sont pas homologuées par le fabricant ;
- le produit est équipé d'un accessoire qui ne provient pas du fabricant ou qui n'est pas homologué par le fabricant ;
- le produit n'est pas réparé par un centre d'entretien agréé ou par une autorité homologuée.

## Sécurité

### Définitions de sécurité

Des avertissements, des recommandations et des remarques sont utilisés pour souligner des parties spécialement importantes du manuel.



**AVERTISSEMENT:** Symbole utilisé en cas de risque de blessures ou de mort pour l'opérateur ou les personnes à proximité si les instructions du manuel ne sont pas respectées.



**REMARQUE:** Symbole utilisé en cas de risque de dommages pour le produit, d'autres matériaux ou les environs si les instructions du manuel ne sont pas respectées.

**Remarque:** Symbole utilisé pour donner des informations supplémentaires pour une situation donnée.

### Consignes générales de sécurité relatives à l'outil à moteur



**AVERTISSEMENT:** Lire toutes les consignes et instructions de sécurité. Le non-respect des consignes et mises en garde peut être à l'origine d'un choc électrique, d'un incendie et/ou de blessures graves.

**Remarque:** **Conservez toutes ces consignes et instructions pour toute consultation ultérieure.** Le terme « outil électrique » utilisé dans les avertissements fait référence à l'outil branché sur secteur (fil) ou à l'outil alimenté par batterie (sans fil).

### Sécurité dans l'espace de travail

- **Maintenez un espace de travail propre et bien éclairé.** Les espaces encombrés ou sombres exposent à des accidents.
- **N'utilisez pas de machines à usiner dans des atmosphères explosives, en présence de liquides, de gaz ou de poussières inflammables**

**par exemple.** Les machines à usiner provoquent des étincelles qui peuvent enflammer la poussière ou les vapeurs.

- **Tenez les enfants et les spectateurs à distance lorsque la machine à usiner est en marche.** Un moment d'inattention peut vous faire perdre le contrôle.

### Sécurité électrique

- **Les fiches des machines à usiner doivent être adaptées à la prise. N'apportez jamais de modifications à la fiche. Ne pas utiliser de fiches d'adaptation avec des machines mises à la terre.** Des fiches non modifiées et des prises compatibles réduiront le risque de choc électrique.
- **Éviter tout contact physique avec les surfaces mises à la terre telles que les tuyaux, les radiateurs, les cuisinières et les réfrigérateurs.** Le risque d'électrocution est plus important si le corps est relié à la terre.
- **Ne pas exposer les outils électriques à la pluie ou à l'humidité.** L'infiltration d'eau dans une machine à usiner augmente le risque d'électrocution.
- **Ne pas malmener le cordon.** N'utilisez jamais le cordon pour porter, tirer ou débrancher la machine. Maintenez le cordon d'alimentation à l'écart de la chaleur, de bords tranchants ou de pièces en mouvement. Les cordons endommagés ou emmêlés augmentent le risque d'électrocution.
- **Lorsqu'une machine à usiner est utilisée à l'extérieur, installer une rallonge adaptée à un usage extérieur.** L'utilisation d'un cordon d'alimentation pour usage extérieur réduit le risque d'électrocution.
- **Si vous n'avez d'autre choix que d'utiliser un outil électrique dans un endroit humide, utilisez une alimentation protégée par un disjoncteur différentiel (RCD).** L'utilisation d'un RCD réduit le risque d'électrocution.



**REMARQUE:** Ne lavez pas la machine avec de l'eau sous pression. Celle-ci pourrait s'infiltrer dans le système électrique ou le moteur et endommager la machine ou provoquer un court-circuit.

## Sécurité du personnel

- **Restez attentif, regardez ce que vous faites et ayez recours à votre bon sens lorsque vous utilisez un outil électrique. N'utilisez pas d'outil électrique si vous êtes fatigué ou si vous êtes sous l'emprise de drogues, d'alcool ou de médicaments.** Un moment d'inattention pendant l'utilisation des machines à usiner peut entraîner des blessures corporelles graves.
- **Utilisez un équipement de protection personnelle. Travaillez toujours avec des lunettes de protection.** Les équipements de protection tels que les masques anti-poussières, les chaussures de sécurité antidérapantes, le casque ou les protège-oreilles utilisés dans les conditions qui conviennent réduisent les blessures corporelles.
- **Évitez tout démarrage intempestif. Vérifiez que l'interrupteur est en position d'arrêt avant de brancher l'outil sur l'alimentation et/ou la batterie, de le ramasser ou de le transporter.** Le fait de garder le doigt sur l'interrupteur pendant le transport des outils ou le branchement des machines alors que l'interrupteur est en position ON expose à des accidents.
- **Retirez toute clé ou clavette de calage avant de mettre la machine à usiner sous tension.** Une clé ou une clavette reliée à une pièce mobile de la machine à usiner peut entraîner des blessures corporelles.
- **Ne vous éloignez pas trop. Restez toujours en équilibre et sur vos appuis.** Cela favorise le contrôle de la machine à usiner dans les situations inattendues.
- **Habillez-vous correctement. Ne portez jamais de vêtements amples ou de bijoux. Éloignez vos cheveux, vêtements et gants des pièces mobiles.** Les vêtements amples, les bijoux et les cheveux longs peuvent rester coincés dans les pièces mobiles.
- **Si des dispositifs sont fournis pour raccorder des systèmes de collecte et d'extraction de la poussière, vérifiez qu'ils sont correctement branchés et utilisés.** L'utilisation de systèmes de collecte de poussière peut réduire les risques associés à la poussière.
- **Les émissions de vibrations durant l'utilisation de l'appareil peuvent différer de la valeur totale déclarée en fonction de la manière dont l'outil est utilisé.** En vue de se protéger, les opérateurs devraient établir des mesures de sécurité basées sur une estimation de leur exposition dans les conditions d'utilisation réelles (en tenant compte de toutes les phases du cycle opératoire, comme, par exemple, lorsque l'outil est éteint et lorsqu'il fonctionne en mode ralenti ou au gaz).
- **Tenez-vous à distance de la lame lorsque le moteur tourne.**

## Utilisation et entretien de la machine à usiner

- **Ne forcez pas sur la machine à usiner. Utilisez la machine à usiner qui convient à l'application.** La machine qui convient réalisera mieux son travail et de façon plus sûre, à la vitesse pour laquelle elle a été conçue.
- **N'utilisez pas la machine à usiner si l'interrupteur ne permet pas la mise sous tension ou l'arrêt.** Toute machine à usiner impossible à commander avec l'interrupteur est dangereuse et doit être réparée.
- **Débrancher la fiche de la prise et/ou du bloc d'alimentation avant de procéder aux réglages, de changer les accessoires ou de stocker la machine.** Ces mesures de sécurité préventive réduisent le risque de mise sous tension accidentelle de la machine à usiner.
- **Rangez les machines à usiner hors de la portée des enfants et ne pas laisser des personnes qui ne connaissent pas la machine ou ces consignes utiliser l'appareil.** Les machines à usiner sont dangereuses si elles sont entre les mains d'utilisateurs non formés.
- **Entretenez les machines à usiner. Vérifier le mauvais alignement ou la fixation des pièces mobiles, l'éventuelle rupture des pièces ou toute autre condition susceptible d'altérer le fonctionnement de la machine. Si elle est endommagée, la machine à usiner doit être réparée avant toute réutilisation.** De nombreux accidents sont dus à des machines mal entretenues.
- **Maintenez les outils tranchants aiguisés et propres.** Des outils tranchants correctement entretenus avec des bords aiguisés sont moins susceptibles de se coincer et sont plus faciles à contrôler.
- **Utiliser la machine à usiner, les accessoires, les grains, etc. en suivant ces consignes et en tenant compte des conditions de travail et de la tâche à réaliser.** Il est dangereux d'utiliser l'outil électrique pour tout autre usage que celui prévu.
- **Vous ne devez en aucun cas modifier la conception d'origine de la machine sans l'approbation du fabricant.** Utilisez toujours les pièces de rechange d'origine. Toute modification et/ou accessoire non autorisé peut entraîner des blessures graves, voire mortelles à l'utilisateur ou à d'autres personnes présentes.
- **Assurez-vous qu'aucun tuyau ou câble électrique ne passe par la zone de travail ou dans le matériau à découper.**
- **Vérifiez et repérez toujours l'emplacement des tuyaux de gaz.** La coupe près de conduites de gaz entraîne toujours un danger. Assurez-vous qu'aucune étincelle n'est créée lors de la coupe, en raison du risque d'explosion. Restez concentré sur la tâche. Toute négligence peut causer de graves blessures ou être fatale.

## Utilisation et entretien d'un outil à batterie

- **Ne rechargez la machine qu'avec le chargeur indiqué par le fabricant.** Un chargeur convenant à un type de bloc de batteries particulier peut entraîner un risque d'incendie s'il est utilisé avec un autre bloc.
- **N'utilisez des outils à moteur qu'avec des blocs de batteries spécifiquement désignés.** L'utilisation d'une autre batterie peut entraîner un risque de blessure et d'incendie.
- **Lorsque la batterie n'est pas utilisée, maintenez-la à distance d'objets métalliques, tels que des trombones, pièces de monnaie, clés, clous, vis, ou autres petits objets en métal risquant de relier une borne à l'autre.** Court-circuiter les bornes de batterie entraîne un risque de brûlures et d'incendie.
- **En cas d'utilisation abusive, du liquide peut s'échapper de la batterie ; évitez tout contact. En cas de contact accidentel, rincez à l'eau. En cas de contact avec les yeux, consultez un médecin.** Le liquide échappé de la batterie peut causer irritations et brûlures.

## Entretien

- **Confiez l'entretien de votre outil électrique à un mécanicien qualifié qui utilisera uniquement des pièces de rechange identiques.** Cela permet de garantir la sécurité de la machine.

## Avertissement de sécurité concernant la découpeuse

- **Le dispositif de protection fourni avec l'outil doit être correctement fixé à l'appareil électrique et positionné de façon à garantir un niveau de sécurité optimal : le disque doit être le moins exposé possible côté opérateur.** Assurez-vous que personne, y compris vous-même, ne se trouve dans la trajectoire du disque en rotation. La protection permet de protéger l'opérateur des projections de fragments de disque et de tout contact accidentel avec le disque.
- **Utilisez uniquement des disques de découpe diamantés ou renforcés en aggloméré conçus pour votre outil électrique.** Ce n'est pas parce qu'un accessoire peut être fixé à votre outil électrique qu'il garantit une sécurité de fonctionnement.
- **La vitesse nominale de l'accessoire doit être au moins égale à la vitesse maximale indiquée sur l'outil électrique.** Les accessoires dont la rotation est supérieure à leur vitesse nominale peuvent se casser et être projetés.
- **Lors de l'utilisation des disques, veuillez respecter systématiquement les applications recommandées. Par exemple, ne meulez pas avec le côté du disque de découpe.** Les disques abrasifs étant conçus pour le meulage périphérique,

les forces latérales appliquées à ces disques peuvent les briser en plusieurs morceaux.

- **Utilisez toujours des flasques de disque en bon état dont le diamètre est adapté au disque.** Lorsque le porte-flasque est adapté au disque, il soutient ce dernier, réduisant ainsi le risque de casse.
- **N'utilisez pas de disques renforcés usés d'outils électriques de plus grande taille.** Les disques prévus pour un outil électrique de plus grande taille ne conviennent pas à la vitesse supérieure d'un outil de plus petite taille et peuvent se briser.
- **Le diamètre extérieur et l'épaisseur de l'accessoire doivent correspondre à la capacité nominale de l'outil électrique.** Si la taille des accessoires n'est pas adaptée, ces derniers ne peuvent pas être correctement protégés ou contrôlés.
- **La taille d'alésage des disques et des flasques doit correspondre à la broche de l'outil électrique.** Les disques et les flasques dont l'alésage ne correspond pas au matériel de fixation de l'outil électrique seront déséquilibrés, vibreront de façon excessive et entraîneront une perte de contrôle.
- **N'utilisez pas de disques endommagés. Avant chaque utilisation, vérifiez que les disques ne sont ni ébréchés ni fissurés. En cas de chute de l'outil ou du disque, vérifiez qu'il n'est pas endommagé et remplacez-le, le cas échéant. Après avoir inspecté et posé le disque, assurez-vous que personne, y compris vous-même, ne se trouve dans la trajectoire du disque en rotation, et faites tourner l'outil électrique à la vitesse maximale et sans charge pendant une minute.** Les disques endommagés doivent normalement se casser durant ce test.
- **Portez un équipement de protection personnelle. Selon le type d'application, portez un masque, des lunettes de protection ou des lunettes de sécurité. Le cas échéant, portez un masque anti-poussière, un casque anti-bruit, des gants et un tablier d'atelier capables d'arrêter des petits fragments abrasifs ou des fragments provenant de la pièce à découper.** Les protections pour les yeux doivent être capables d'arrêter des projections de débris générés par diverses opérations. Le masque anti-poussières ou le masque respiratoire doit être capable de filtrer des particules générées lors de l'utilisation de l'outil. Une exposition prolongée à un bruit de forte intensité peut engendrer une perte auditive.
- **Demandez aux autres personnes présentes de se tenir à une distance de sécurité suffisante de la zone de travail. Toute personne pénétrant dans la zone de travail doit porter un équipement de protection individuel.** Les fragments de la pièce à découper ou d'un disque cassé peuvent être projetés et provoquer des blessures au-delà de la zone de travail immédiate.

- Lorsque l'accessoire de coupe risque d'entrer en contact avec un câble électrique non apparent, tenez l'outil électrique uniquement par les surfaces de prise isolées. Si l'accessoire de coupe entre en contact avec un câble sous tension, il risque de mettre sous tension les parties métalliques exposées de l'outil électrique, ce qui pourrait envoyer un choc électrique à l'utilisateur.
- Ne posez jamais l'outil tant que l'accessoire ne s'est pas complètement immobilisé. Le disque en rotation peut accrocher la surface et entraîner du même coup une perte de maîtrise de l'outil.
- Coupez l'outil électrique dès que vous ne vous en servez plus. L'accessoire en rotation peut se prendre par inadvertance dans vos vêtements et rentrer dans votre corps.
- Nettoyez régulièrement les événements d'aération de l'appareil électrique. En effet, le ventilateur du moteur aspire la poussière dans le carter et l'accumulation excessive de poudre de métal peut entraîner des dangers électriques.
- Ne faites pas fonctionner l'outil électrique à proximité de matériaux inflammables. Des étincelles pourraient s'enflammer ces matériaux.
- Ne placez pas votre corps dans l'alignement du disque en rotation. Les rebonds propulsent l'outil dans le sens opposé au mouvement du disque, au niveau du point de grippage.
- Soyez particulièrement vigilant au niveau des angles, des bords tranchants, etc. Évitez de faire tressauter et d'accrocher l'accessoire. Les angles, les bords tranchants ou les tressautements ont tendance à accrocher l'accessoire en rotation, entraînant ainsi une perte de contrôle ou un rebond.
- Ne fixez pas de chaîne, de lame à sculpter le bois ou de disque à segments en diamant si l'écart périphérique est supérieur à 10 mm ou avec une lame d'éclaircissage à dents. Ces types de lame provoquent fréquemment des effets de rebond et une perte de contrôle.
- Évitez de coincer la lame ou d'appliquer une pression excessive. N'essayez pas de couper trop profondément. Un travail trop intense augmente la charge de l'outil et peut forcer le disque à se tordre ou à se coincer dans l'entaille, entraînant ainsi un risque d'effet de rebond ou de rupture du disque.
- Lorsque le disque se coincé ou lorsque vous interrompez le travail pour une raison quelconque, coupez le contact et gardez l'outil électrique immobile jusqu'à l'arrêt complet du disque. N'essayez jamais de retirer le disque de l'entaille lorsqu'il est en mouvement, sous peine de générer un rebond. Identifiez et corrigez la cause du pincement du disque.

## Effet de rebond et avertissements associés

- L'effet de rebond est une réaction soudaine qui se produit lorsque le disque en rotation se coincé ou s'accroche à un élément. Cela entraîne le calage immédiat du disque en rotation qui à son tour entraîne la perte de contrôle de l'outil électrique, qui repart dans le sens inverse du mouvement de rotation du disque, au niveau du grippage.
- Par exemple, si un disque abrasif est endommagé ou coincé par la pièce à découper, le bord du disque qui pénètre dans le point de pincement peut s'enfoncer dans la surface du matériau, entraînant ainsi la sortie ou le rebond du disque. En fonction du sens de rotation du disque au point de pincement, le disque peut soit se rapprocher, soit s'éloigner de l'opérateur. Les disques abrasifs peuvent également se rompre dans ces conditions.
- Un rebond est le résultat de conditions inappropriées, d'une procédure incorrecte ou d'une mauvaise utilisation de l'outil électrique, et peut être évité en prenant les précautions suivantes :
- Tenez fermement l'outil électrique et placez votre corps et vos bras de manière à résister à la force d'un éventuel rebond. Utilisez toujours une poignée auxiliaire, le cas échéant, pour contrôler de façon optimale un rebond ou une reprise de couple lors du démarrage. Vous pouvez contrôler les réactions de couple ou les forces de rebond si vous prenez les bonnes précautions.
- Ne mettez jamais la main à proximité de l'accessoire en rotation. L'accessoire peut rebondir sur votre main.
- Soutenez les panneaux et les pièces à découper trop grandes pour réduire au maximum le risque de pincement du disque ou l'effet de rebond. Les pièces trop grandes ont tendance à ployer sous leur propre poids. Des dispositifs de soutien doivent être placés sous la pièce, près de la ligne de découpe et près de bords de la pièce de chaque côté du disque.
- Redoublez de prudence lorsque vous effectuez une « découpe d'ouverture » dans des murs existants ou d'autres zones aveugles. Le disque qui dépasse peut couper des tuyaux de gaz ou d'eau, des câbles électriques ou des objets qui pourraient provoquer un rebond.

## Instructions générales de sécurité



**AVERTISSEMENT :** Lisez les instructions qui suivent avant d'utiliser le produit.

- Si ce produit n'est pas utilisé correctement, il peut se révéler dangereux et entraîner des blessures graves.



Il importe donc de lire attentivement et de bien assimiler le contenu de ce manuel.

- Ne modifiez pas le produit sans approbation du fabricant. N'utilisez pas un produit qui a été modifié par un tiers et utilisez toujours des accessoires d'origine. Les modifications qui ne sont pas approuvées par le fabricant peuvent causer des blessures graves, voire mortelles, à l'opérateur ou à d'autres personnes.
- Maintenez le produit propre. Les avertissements et les autocollants doivent être parfaitement lisibles.
- Ce produit génère un champ électromagnétique durant son fonctionnement. Ce champ peut dans certaines circonstances perturber le fonctionnement d'implants médicaux actifs ou passifs. Pour réduire le risque de blessures graves ou mortelles, nous recommandons aux personnes portant des implants médicaux de consulter leur médecin et le fabricant de leur implant avant d'utiliser cet appareil.

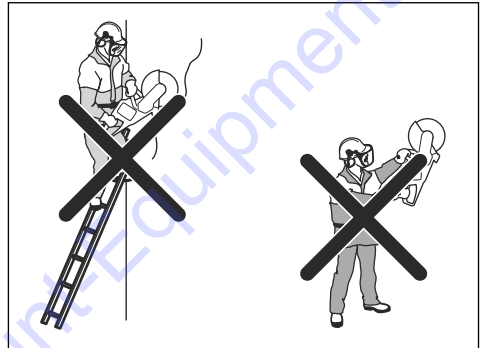
## Consignes de sécurité pour le fonctionnement



**AVERTISSEMENT:** Lire toutes les consignes et instructions de sécurité. Le non-respect des consignes et mises en garde peut être à l'origine d'un choc électrique, d'un incendie et/ou de blessures graves.

- Ne découpez pas de matériaux en amiante.
- Lors d'une découpe à sec, assurez-vous que la poussière est retirée en toute sécurité.
- Les informations contenues dans ce manuel ne remplacent pas l'expérience et le savoir-faire d'un professionnel. Si vous ne vous sentez pas en sécurité dans une situation donnée, arrêtez le produit. N'utilisez pas ce produit dans des configurations que vous ne maîtrisez pas.
- Demandez conseil à votre atelier d'entretien ou Husqvarna pour toute question relative au fonctionnement du produit. Nous pouvons vous donner des conseils sur la manière d'utiliser votre produit efficacement et en toute sécurité.
- N'utilisez jamais un produit, une batterie ou un chargeur de batterie défectueux.
- Ne touchez jamais la lame de coupe lorsqu'elle tourne. Cela peut causer des blessures graves, voire mortelles.
- N'utilisez pas le produit par mauvais temps : brouillard épais, pluie diluvienne, vent violent ou grand froid. Le mauvais temps accroît les risques (sol verglacé, etc.).
- Démarrez le produit uniquement si tous les carters et protections sont correctement montés.
- Observez bien la zone de travail. Assurez-vous qu'aucune personne ou aucun animal ne risque d'affecter ou d'influencer votre maîtrise du produit.

- Mettez le produit hors de portée des enfants et ne laissez pas ces derniers l'utiliser. Le produit démarre facilement. Ceci peut entraîner un risque de graves blessures.
- Retirez la batterie lorsque vous n'avez pas une vision complète du produit. Retirez la batterie si vous remisez le produit pendant une longue période.
- Vous devez être bien campé sur vos pieds pour avoir une maîtrise totale du produit. N'utilisez pas ce produit si vous vous trouvez sur une échelle. N'utilisez pas ce produit si vous n'êtes pas sur un sol stable.
- N'utilisez pas ce produit au-dessus de la hauteur des épaules.



- Si vous ne faites pas attention, le risque de rebond augmente.



- N'utilisez pas le produit d'une seule main. Il n'est pas possible de contrôler correctement ce produit d'une seule main.
- N'utilisez pas le produit si vous ne pouvez pas bénéficier d'aide en cas d'accident.
- Assurez-vous de pouvoir vous déplacer en toute sécurité. Examinez les conditions et le terrain autour de vous pour repérer d'éventuels obstacles.
- une exposition excessive aux vibrations peut entraîner des troubles circulatoires ou nerveux chez les personnes sujettes à des troubles cardiovasculaires. Consultez un médecin en cas de

symptômes liés à une exposition excessive aux vibrations. De tels symptômes peuvent être : engourdissement, perte de sensibilité, chatouillements, picotements, douleur, faiblesse musculaire, décoloration ou modification épidermique. Ces symptômes affectent généralement les doigts, les mains ou les poignets. Ces symptômes peuvent être accentués par le froid.

- Il est impossible de mentionner toutes les situations auxquelles vous pouvez être confronté pendant l'utilisation de ce produit. Soyez toujours prudent et utilisez votre bon sens.
- **Remarque:** une fois le tronçonnage terminé, veuillez retirer les protège-oreilles immédiatement afin que tout bruit ou signal d'avertissement puisse être entendu.

## Équipement de protection individuelle



**AVERTISSEMENT:** Lire toutes les consignes et instructions de sécurité. Le non-respect des consignes et mises en garde peut être à l'origine d'un choc électrique, d'un incendie et/ou de blessures graves.

- Utilisez impérativement un équipement de protection individuel homologué pendant le fonctionnement. L'équipement de protection individuelle ne protège pas complètement des blessures, mais il diminue la gravité des blessures en cas d'accident. Contactez votre atelier d'entretien pour obtenir des recommandations sur l'équipement à utiliser.
- Portez des vêtements près du corps qui n'entravent toutefois pas vos mouvements. Vérifiez régulièrement l'état de votre équipement de protection individuel.
- Utilisez un casque de protection homologué.
- Portez une protection respiratoire homologuée.
- Utilisez des protège-oreilles agréés. Une exposition prolongée au bruit risque de causer des lésions auditives permanentes.
- Utilisez des lunettes de protection ou une visière faciale pour réduire le risque de blessure due à des projections de particules et de poussière. Il peut en résulter des blessures graves, surtout au niveau des yeux.
- Utilisez des gants de protection épais.
- Utilisez des bottes avec embouts en acier et semelle antidérapante.
- Prévoyez toujours une trousse de premiers secours.

## Dispositifs de sécurité sur le produit



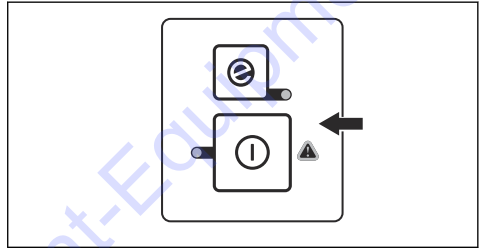
**AVERTISSEMENT:** Lire toutes les consignes et instructions de sécurité. Le non-respect des consignes et mises en garde peut être à l'origine d'un choc

électrique, d'un incendie et/ou de blessures graves.

- N'utilisez pas un produit dont les équipements de sécurité sont endommagés. Les équipements de sécurité doivent être inspectés et entretenus régulièrement. Contactez votre atelier d'entretien si l'inspection d'un dispositif de sécurité n'est pas satisfaisante.

### Clavier

Le témoin d'avertissement clignote en cas de risque de surcharge. La protection contre les surcharges arrête temporairement le produit et vous empêche de l'utiliser tant que la température n'est pas revenue à la normale. Si le témoin est allumé et fixe, contactez votre atelier d'entretien.

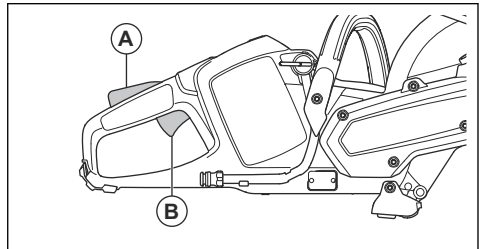


### Fonction d'arrêt automatique

Le produit est doté d'une fonction d'arrêt automatique qui l'arrête si vous ne l'utilisez pas pendant une minute.

### Blocage de la gâchette de puissance

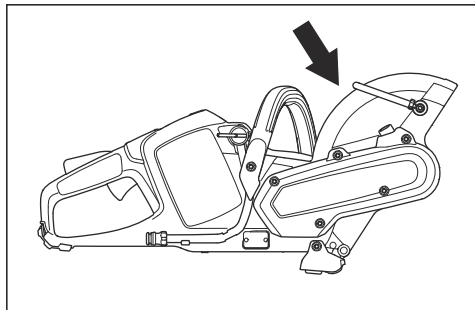
Le blocage de la gâchette de puissance empêche toute activation accidentelle de cette dernière. Placez votre main dans la poignée et appuyez sur le blocage de la gâchette de puissance (A) pour libérer la gâchette (B). Relâchez la poignée pour remettre la gâchette de puissance et son blocage en position initiale.



### Protège-lame

Le protège-lame empêche l'utilisateur de recevoir des particules projetées lors de la découpe. La protection

empêche les pièces de se desserrer et de blesser l'utilisateur.



## Consignes de sécurité relatives à l'utilisation de la batterie



**AVERTISSEMENT:** Lire toutes les consignes et instructions de sécurité. Le non-respect des consignes et mises en garde peut être à l'origine d'un choc électrique, d'un incendie et/ou de blessures graves.

- Utilisez uniquement les batteries Husqvarna BLI que nous recommandons pour votre produit. Les batteries sont codées par logiciel.
- Utilisez les batteries Husqvarna BLI rechargeables en tant que source d'alimentation pour les produits Husqvarna uniquement. Afin d'éviter toute blessure, n'utilisez pas la batterie comme source d'alimentation pour d'autres produits.
- Risque de choc électrique. Ne branchez pas les bornes de la batterie à des clés, des vis ou tout autre élément métallique. Cela peut provoquer un court-circuit de la batterie.
- N'utilisez pas de batteries non rechargeables.
- Ne placez pas d'objets dans les fentes d'aération de la batterie.
- Protégez la batterie des rayons directs du soleil, de la chaleur et des flammes nues. La batterie peut exploser et provoquer des brûlures et/ou des brûlures chimiques.
- Protégez la batterie de la pluie et de l'humidité.
- Protégez la batterie des micro-ondes et des hautes pressions.
- N'essayez pas de démonter ou de casser la batterie.
- Ne laissez pas l'acide de batterie entrer en contact avec votre peau. L'acide de batterie provoque des blessures cutanées, de la corrosion et des brûlures. Si vous recevez de l'acide de batterie dans les yeux, ne les frottez pas ; rincez-les abondamment à l'eau pendant au moins 15 minutes. Si de l'acide de batterie a touché votre peau, nettoyez-la abondamment à l'eau et au savon. Consultez un médecin.

- Utilisez la batterie à une température comprise entre -10 °C (14 °F) et 40 °C (104 °F).
- Ne nettoyez pas la batterie ou le chargeur de batterie avec de l'eau. Consultez la section *Pour nettoyer la batterie et le chargeur de batterie* à la page 71.
- N'utilisez pas de batterie défectueuse ou endommagée.
- Conservez les batteries en stock à distance des objets métalliques, tels que clous, vis ou bijoux.
- Tenez les batteries hors de portée des enfants.

## Consignes de sécurité relatives au chargeur de batterie



**AVERTISSEMENT:** Lire toutes les consignes et instructions de sécurité. Le non-respect des consignes et mises en garde peut être à l'origine d'un choc électrique, d'un incendie et/ou de blessures graves.

- Risque de choc électrique ou de court-circuit si les instructions de sécurité ne sont pas respectées.
- N'utilisez pas d'autres chargeurs de batterie que celui fourni pour votre produit. Utilisez uniquement des chargeurs QC Husqvarna lorsque vous chargez des batteries de rechange BLI Husqvarna.
- N'essayez pas de démonter le chargeur de batterie.
- N'utilisez pas de chargeur de batterie défectueux ou endommagé.
- Ne soulevez pas le chargeur de batterie par le cordon d'alimentation. Pour débrancher le chargeur de batterie d'une prise d'alimentation secteur, tirez sur la fiche. Ne tirez pas le cordon d'alimentation.
- Conservez tous les câbles et toutes les rallonges loin de l'eau, de l'huile et des bords tranchants. Veillez à ce que le câble ne soit pas coincé dans des portes, des clôtures ou tout autre équipement similaire.
- N'utilisez pas le chargeur de batterie à proximité de matériaux inflammables ou de matériaux pouvant provoquer la formation de corrosion. Assurez-vous que le chargeur de batterie n'est pas couvert. En cas de dégagement de fumée ou de début d'incendie, débranchez aussitôt la fiche reliée au chargeur de batterie.
- Rechargez la batterie uniquement en intérieur, dans un endroit bien aéré et à l'abri de la lumière. Ne chargez pas la batterie à l'extérieur. Ne rechargez pas la batterie dans des conditions humides.
- Utilisez le chargeur de batterie à une température comprise entre 5 °C (41 °F) et 40 °C (104 °F) uniquement. Utilisez le chargeur dans un environnement bien ventilé, sec et exempt de poussière.
- Ne placez pas d'objets dans les fentes d'aération du chargeur de batterie.

- Ne raccordez pas les bornes du chargeur de batterie à des objets métalliques car cela peut court-circuiter le chargeur de batterie.
- Ne chargez pas de batteries non rechargeables dans le chargeur de batterie et ne les utilisez pas dans la machine.
- Utilisez des prises homologuées et non endommagées.

## Consignes de sécurité pour l'entretien



**AVERTISSEMENT:** Lisez les instructions qui suivent avant d'effectuer l'entretien du produit.

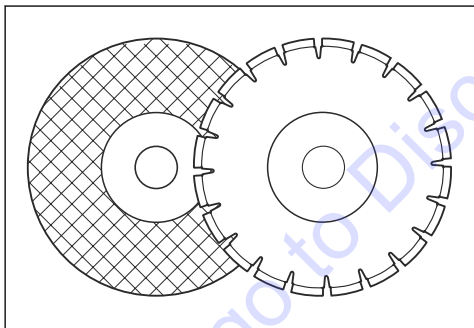
- Retirez la batterie avant tout entretien, contrôle ou assemblage du produit.
- L'utilisateur ne doit effectuer que les travaux de maintenance et d'entretien décrits dans ce manuel

- d'utilisation. Adressez-vous à votre revendeur pour toute opération de maintenance et d'entretien de plus grande ampleur.
- Ne nettoyez pas la batterie ou le chargeur de batterie avec de l'eau. L'utilisation de détergents agressifs peut endommager le plastique.
- Un défaut d'entretien réduit le cycle de vie du produit et augmente le risque d'accidents.
- Une formation spéciale est nécessaire pour tous les travaux d'entretien et de réparation, en particulier pour les dispositifs de sécurité sur le produit. Si tous les contrôles spécifiés dans ce manuel d'utilisation ne sont pas validés après l'entretien, consultez votre revendeur. Nous garantissons la disponibilité d'un service de réparation et d'entretien professionnel pour votre produit.
- Utilisez uniquement les pièces de rechange d'origine.

## Montage

### Lames de coupe homologuées

Il existe deux modèles de lame de coupe pour Husqvarna K 535i : les lames abrasives et les lames diamantées.



**AVERTISSEMENT:** une mauvaise utilisation peut provoquer une surchauffe de la lame. Une lame trop chaude peut entraîner un dysfonctionnement pouvant causer des dommages et des blessures.



**AVERTISSEMENT:** n'utilisez jamais une lame de coupe dont la vitesse maximale est inférieure à celle indiquée sur la découpeuse. Utilisez uniquement des lames de coupe conformes aux normes nationales ou régionales.

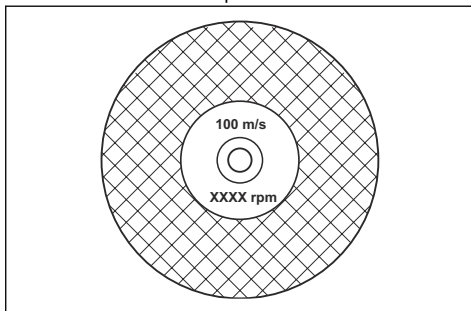
**Remarque:** découpez uniquement les matériaux indiqués dans les instructions fournies avec la lame.

La lame doit être homologuée pour une vitesse semblable ou supérieure à celle indiquée sur la plaque d'identification de la découpeuse.

### Lames de coupe pour les découpeuses portables



**AVERTISSEMENT:** utilisez uniquement les lames diamantées et les lames abrasives pour le béton. N'utilisez pas de lames dentelées telles que les lames de découpe de bois circulaires ou les lames à pointes au carbure. Le risque de rebond est plus important et les pointes au carbure peuvent se détacher et être projetées violemment, ce qui peut entraîner un risque de blessures graves, voire mortelles.



## Vibration de disque



**REMARQUE:** ne forcez pas lors de l'utilisation du produit, sous peine de faire surchauffer la lame, de la plier et de provoquer des vibrations. Réduisez la force appliquée au produit. Si les vibrations persistent, remplacez la lame.

## Lames abrasives



**AVERTISSEMENT:** N'utilisez pas d'eau avec des lames abrasives. Quand des lames abrasives sont exposées à l'eau ou à l'humidité, leur puissance s'en voit altérée, ce qui accroît le risque de rupture de la lame.

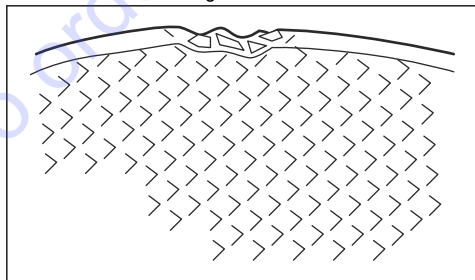


**REMARQUE:** Il est interdit de couper avec des lames abrasives et l'accessoire d'aspiration. L'utilisation de lames abrasives entraîne une usure anormale de l'accessoire d'aspiration.

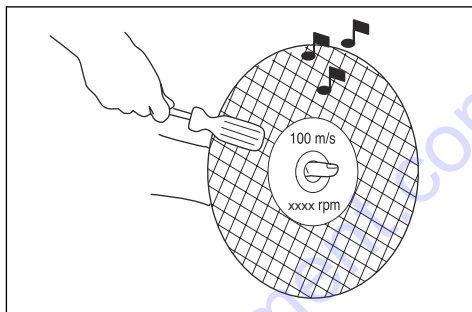


**REMARQUE:** N'utilisez pas de lames abrasives dont l'épaisseur est supérieure à l'épaisseur maximale recommandée, reportez-vous aux *Caractéristiques techniques à la page 73*

- N'utilisez pas de disques renforcés usés d'outils électriques de plus grande taille. Les disques prévus pour un outil électrique de plus grande taille ne conviennent pas à la vitesse supérieure d'un outil de plus petite taille et peuvent se briser.
- Le matériau coupant d'une lame abrasive consiste en un agent abrasif aggloméré par un liant organique. Les lames renforcées ont un tissu ou filament résistant à la rupture complète à la vitesse maximale de travail au cas où la lame viendrait à être fendue ou endommagée.
- Les performances d'un disque dépendent du type et de la dimension des particules abrasives, ainsi que de la nature et de la dureté du liant.
- Assurez-vous que le disque découpeur n'est pas fissuré ou endommagé.



- Testez la lame abrasive en l'accrochant sur un de vos doigts et en la frappant doucement avec le manche d'un tournevis ou un objet similaire. Si la lame ne produit pas un son clair et plein, c'est qu'elle est abîmée.



- Veillez à ce que la bonne lame abrasive soit utilisée sur le matériau prévu.

## Lames diamant



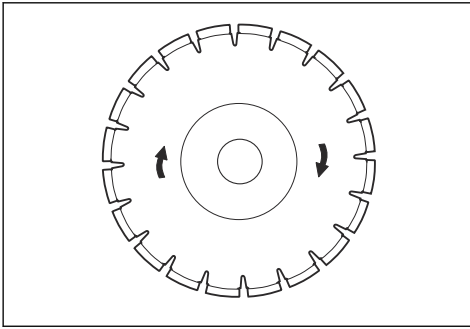
**AVERTISSEMENT:** N'utilisez jamais une lame diamant pour couper de la matière plastique. La chaleur produite lors de la découpe risque de faire fondre le plastique, qui risque alors de coller au disque découpeur et de provoquer un rebond.



**AVERTISSEMENT:** Lors de leur utilisation, les lames diamantées deviennent très chaudes. Une lame surchauffée est le résultat d'une mauvaise utilisation et peut entraîner une déformation de la lame qui causerait des dommages et des blessures.

**Remarque:** Affûtez la lame en coupant un matériau tendre tel que du grès ou un bloc.

- Toujours utiliser une lame diamant acérée.
- Les lames diamant peuvent s'émousser en cas de pression d'avance incorrecte ou de découpe de certains matériaux comme du béton fortement armé. Le travail avec une lame diamantée émoussée comporte un risque de surchauffe pouvant provoquer la chute des segments en diamant.
- Les lames diamantées se composent d'une tôle et de segments contenant des diamants industriels.
- Les lames diamantées sont recommandées pour la maçonnerie, le béton et autres matériaux composites.
- En cas d'utilisation d'une lame diamantée, veillez à ce qu'elle tourne dans la direction des flèches sur la lame.



## Coupe à l'eau



**REMARQUE:** n'utilisez pas d'équipement d'aspiration avec le système à l'eau.

- Les lames diamantées pour la découpe à l'eau doivent être utilisées avec le système à l'eau.
- L'eau refroidit la lame et augmente sa durée de vie, tout en limitant la formation de poussière.
- Lors d'une découpe à l'eau, assurez-vous de recueillir les eaux usées en toute sécurité.

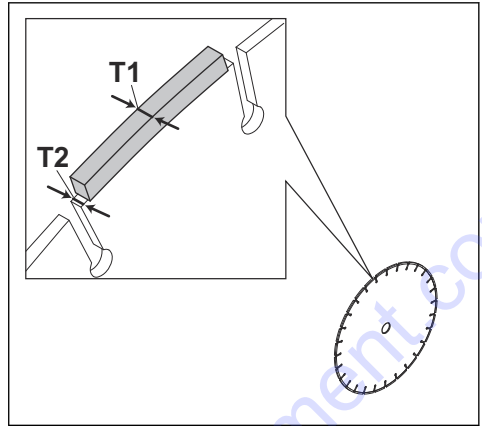
## Découpe à sec

- Lors d'une découpe à sec, il convient de sortir la lame de son sillon de coupe toutes les 30 à 60 secondes et de la faire tourner librement pendant 10 secondes pour la faire refroidir.
- Utilisez un équipement d'aspiration dans la mesure du possible.

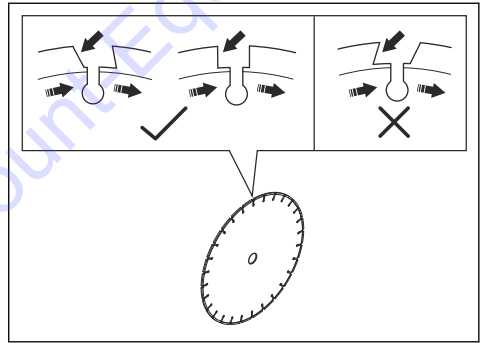
## Lame diamantée - consignes



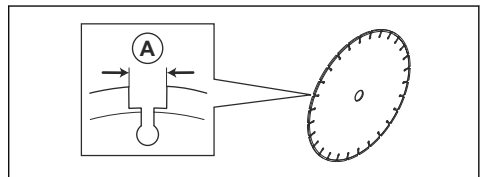
**AVERTISSEMENT:** vérifiez que le segment en diamant (T1) est plus large que la lame (T2). Cela permet d'éviter tout pincement dans la fente et tout effet de rebond.



**REMARQUE:** N'utilisez pas de lames diamantées avec un angle de ratissage positif.



**REMARQUE:** N'utilisez pas de lames diamantées avec un écart entre les segments supérieur à 10 mm (A) au maximum.



**REMARQUE:** N'utilisez pas de lames diamantées dont l'épaisseur est supérieure à l'épaisseur maximale recommandée, reportez-vous aux *Caractéristiques techniques* à la page 73.



**REMARQUE:** certaines situations de coupe ou des lames usées peuvent provoquer une usure excessive sur le côté des segments. Remplacez la lame avant qu'elle ne soit usée.

## Examen de l'arbre à broche et des rondelles d'accouplement

Examinez les rondelles d'accouplement et l'arbre à broche lors du remplacement de la lame.



**REMARQUE:** n'utilisez que des rondelles d'accouplement fournies par Husqvarna, d'un diamètre minimum de 60 mm/2,4 po.

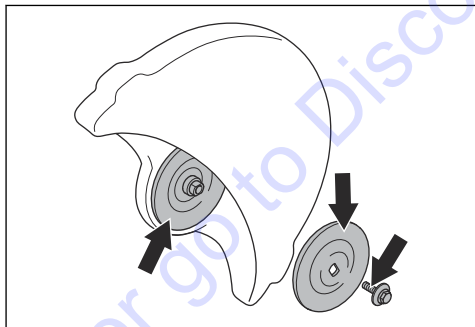


**REMARQUE:** n'utilisez pas de rondelles d'accouplement abîmées, défectueuses ou sales.



**REMARQUE:** Ne pas utiliser des rondelles d'accouplement de différentes dimensions.

- Vérifiez que les filetages de l'arbre à broche sont intacts.
- Vérifiez que les surfaces de contact de la lame et des rondelles d'accouplement sont intactes, de la dimension correcte et propres, et qu'elles fonctionnent correctement sur l'arbre à broche.

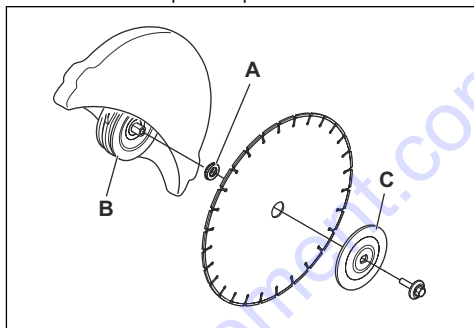


## Examen de la bague de l'arbre

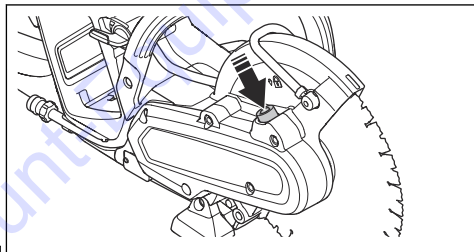
- N'utilisez que des bagues d'arbre Husqvarna.
- Assurez-vous que la dimension de la bague de l'arbre est adaptée à la lame de coupe. La dimension correcte est indiquée sur la lame de coupe.

## Fixation de la lame de coupe

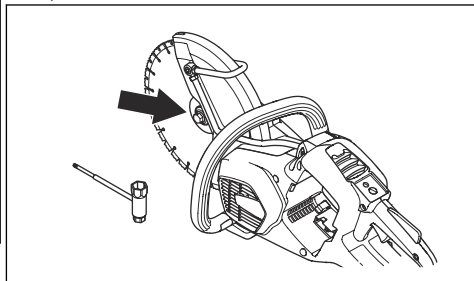
1. La lame de coupe est placée sur la bague (A) entre la rondelle d'accouplement interne (B) et la rondelle d'accouplement (C). Une rotation est appliquée à la rondelle d'accouplement pour la fixer à l'essieu.



2. Verrouillez l'arbre.



3. Serrez le boulon. Le couple de serrage du boulon de fixation de la lame de coupe est de 30 Nm (18,5 ft-lb).



## Contrôle de la lame et du protège-lame



**AVERTISSEMENT:** une lame de coupe endommagée peut causer des blessures.

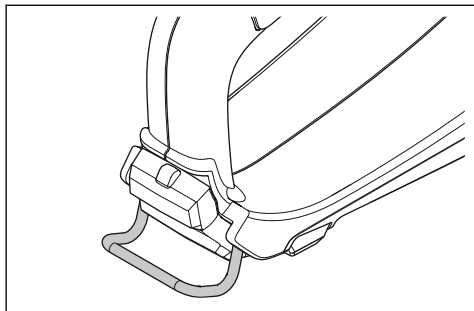
1. Vérifiez également que la lame de coupe est correctement montée et qu'elle ne présente aucun signe d'endommagement.

2. Assurez-vous que le protège-lame ne présente aucune fissure et qu'il n'est pas endommagé.
3. Remplacez le protège-lame s'il est endommagé. Voir *Fixation de la lame de coupe à la page 63*

## Œillet de câble

Le produit est équipé d'un œillet de câble. L'œillet de câble peut être utilisé pour soulever et abaisser le produit. Fixez une estrope adaptée à l'œillet de câble afin de l'utiliser pour soulever et abaisser le produit.

L'œillet de câble peut être utilisé pour fixer le produit à un objet solide et l'empêcher ainsi de tomber et d'endommager des personnes ou des équipements.



---

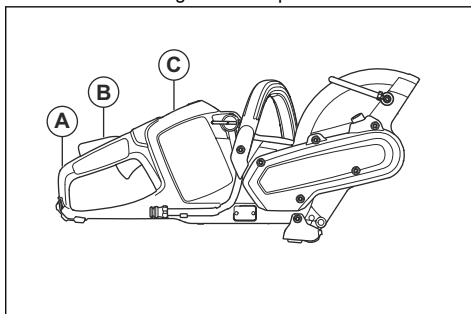
## Utilisation

---

### Pour effectuer un contrôle du fonctionnement avant d'utiliser le produit

1. Contrôlez la protection arrière droite (A) pour vous assurer qu'elle n'est pas endommagée.
2. Contrôlez le dispositif de blocage de la gâchette de puissance (B) pour vous assurer qu'il fonctionne correctement et qu'il n'est pas endommagé.
3. Contrôlez le clavier (C) pour vérifier qu'il fonctionne correctement.
4. Vérifiez que toutes les pièces et les protections sont correctement fixées et qu'elles ne sont pas endommagées ou manquantes.
5. Chargez la batterie et assurez-vous qu'elle est correctement fixée au produit.

6. Assurez-vous que la découpeuse s'arrête lorsque vous relâchez la gâchette de puissance.



### Pour brancher le chargeur de batterie

1. Branchez le chargeur de batterie sur une prise électrique dont les caractéristiques de tension et de fréquence correspondent aux spécifications mentionnées sur la plaque signalétique.
2. Branchez le cordon dans une prise électrique mise à la terre. La DEL sur le chargeur de batterie clignote une fois en vert.

**Remarque:** La batterie ne charge pas si la température de la batterie est supérieure à 50 °C/122 °F. Si la

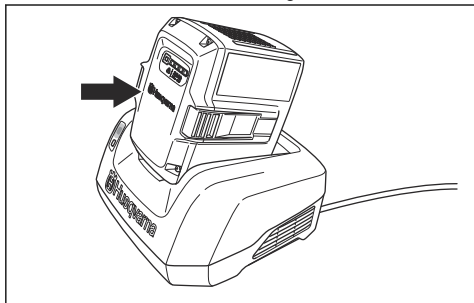


température est supérieure à 50 °C/122 °F, le chargeur de batterie refroidit la batterie avant que la batterie ne charge.

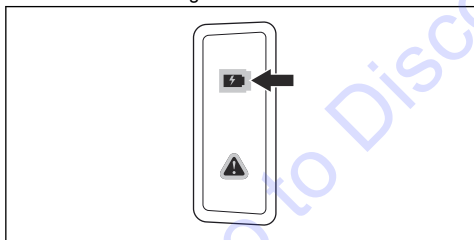
## Connexion de la batterie au chargeur de batterie

**Remarque:** Chargez la batterie si vous l'utilisez pour la première fois. Une batterie neuve n'est chargée qu'à 30 %.

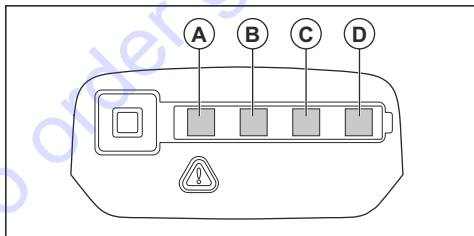
1. Assurez-vous que la batterie est sèche.
2. Placez la batterie dans le chargeur de batterie.



3. Assurez-vous que le témoin de charge vert du chargeur de batterie s'allume. La présence de ce témoin signifie que la batterie est correctement connectée au chargeur de batterie.



4. La batterie est totalement rechargée quand toutes les DEL sur la batterie sont allumées.

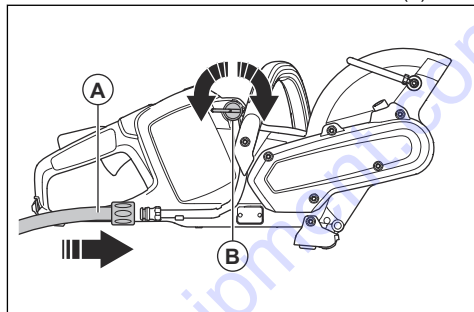


5. Pour débrancher le chargeur de batterie de la prise d'alimentation secteur, tirez sur la fiche. Ne tirez pas sur le câble.
6. Dégagez la batterie du chargeur de batterie.

**Remarque:** Reportez-vous aux manuels de la batterie et du chargeur de batterie pour plus d'informations.

## Raccordement de l'eau de refroidissement

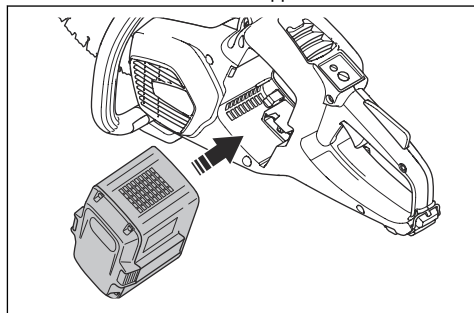
1. Raccordez le flexible à eau à l'arrivée d'eau (A).



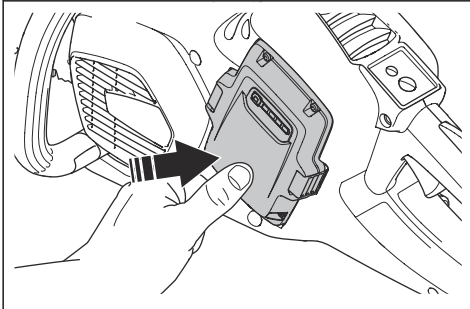
2. Tournez le robinet d'eau (B) pour laisser l'eau s'écouler ou l'arrêter.
3. Vérifiez si une fuite survient dans le raccord d'eau ou le flexible.
4. Assurez-vous que la pression de l'eau n'atteint pas la pression maximale autorisée, reportez-vous aux *Caractéristiques techniques*.

## Pour démarrer le produit

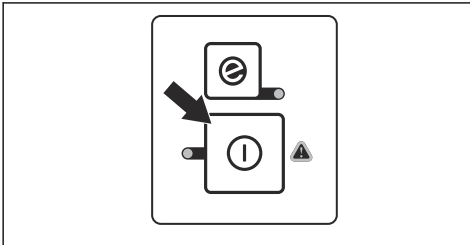
1. Contrôlez la gâchette de puissance et son blocage. Consultez la section *Pour contrôler le blocage de la gâchette de puissance à la page 70*.
2. Placez la batterie dans le support de batterie.



3. Appuyez sur la partie inférieure de la batterie jusqu'à ce que vous entendiez un dé clic. Si la batterie ne bouge pas facilement dans le support de batterie, cela indique qu'elle n'est pas fixée correctement dans le support de batterie.



4. Appuyez sur le bouton marche/arrêt et maintenez-le enfoncé jusqu'à ce que la LED verte s'allume.

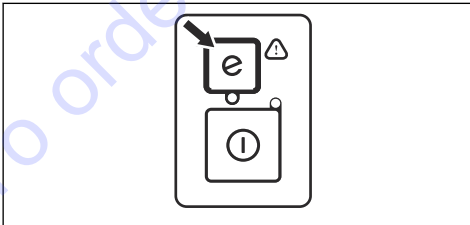


## Pour utiliser la fonction SavE

Ce produit est équipé d'une fonction d'économie de la batterie, appelée SavE. La fonction SavE réduit la vitesse de la lame et allonge la durée de fonctionnement de la batterie.

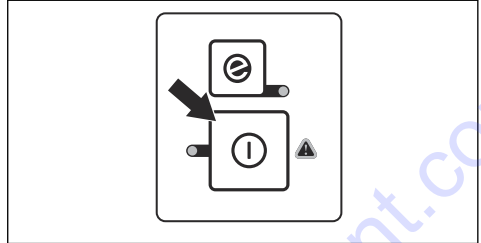
**Remarque:** La fonction SavE ne réduit pas la puissance de coupe du produit.

1. Appuyez sur le bouton SavE sur le clavier.
2. Assurez-vous que la LED verte s'allume.
3. Appuyez à nouveau sur le bouton SavE pour arrêter la fonction. La LED verte s'éteint.

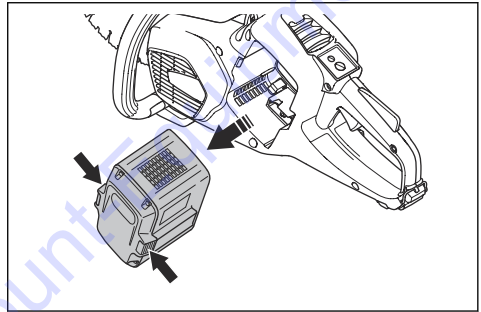


## Pour arrêter le produit

1. Appuyez sur le bouton marche/arrêt du clavier et maintenez-le enfoncé jusqu'à ce que la LED verte s'éteigne.



2. Appuyez sur les boutons de libération de la batterie et déposez la batterie de son support.



**AVERTISSEMENT:** Retirez la batterie lorsque vous n'utilisez pas le produit ou ne l'avez pas dans votre champ de vision. L'objectif est d'éviter tout démarrage accidentel.

## Techniques de travail de base



**AVERTISSEMENT:** ne déplacez pas la découpeuse sur le côté car la lame ne pourra plus se déplacer librement. Elle risque alors de se casser et de provoquer des blessures.

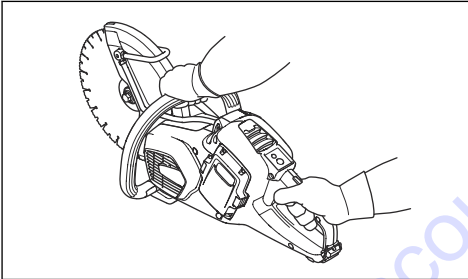


**AVERTISSEMENT:** n'utilisez pas le côté de la lame sous peine de l'endommager et de la casser, ce qui peut provoquer des blessures. Utilisez uniquement le bord tranchant.

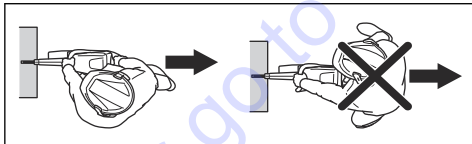


**AVERTISSEMENT:** n'utilisez pas de lame diamantée pour découper des matériaux plastiques. La chaleur générée peut faire fondre le plastique. Le plastique fondu peut se coller à la lame de coupe et provoquer un effet de rebond.

- Le produit est conçu pour des lames diamantées à grande vitesse adaptées pour les découpeuses portatives.
- Il est également conçu pour effectuer des coupes dans du carrelage, du béton léger et de la pierre. Utilisez-le exclusivement pour ce type d'opération.
- Assurez-vous que la lame de coupe ne présente aucun signe d'endommagement et qu'elle est correctement fixée. Reportez-vous aux sections *Lames abrasives à la page 61* et *Fixation de la lame de coupe à la page 63*.
- Assurez-vous d'utiliser la lame de coupe adaptée au type d'opération. Reportez-vous à la section *Lames de coupe pour les découpeuses portables à la page 60*.
- Ne découpez pas d'amiante.
- Tenez toujours la découpeuse à 2 mains. Tenez toujours fermement le produit en serrant les pouces et les doigts autour des poignées. Tenez toujours la poignée arrière de la main droite et la poignée avant de la main gauche.

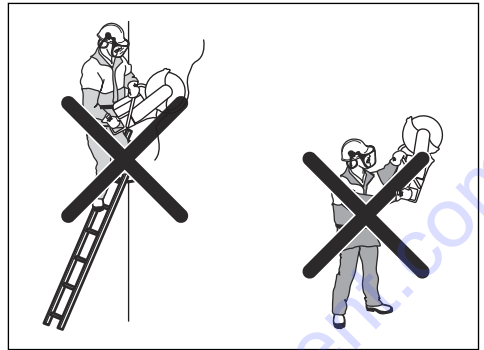


- Placez-vous parallèlement à la lame de coupe. Ne vous placez pas dans l'alignement de la lame de coupe. En cas de rebond, la découpeuse se déplacera dans la trajectoire de la lame de coupe.

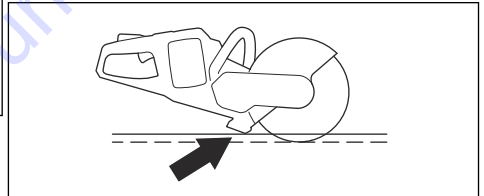


- Tenez-vous éloigné de la lame de coupe lorsque le moteur tourne.
- Veillez à vous tenir dans une position stable pendant l'utilisation du produit.
- Maintenez une distance adéquate par rapport à l'objet que vous êtes en train de découper.
- Ne travaillez pas au-dessus de la hauteur d'épaule. Utilisez une plate-forme ou un échafaudage si la découpe se fait au-dessus de la hauteur d'épaule. Ne vous éloignez pas trop.

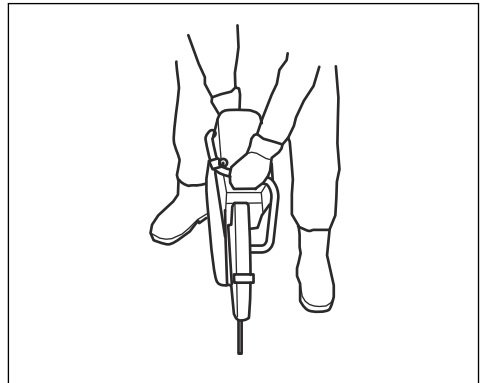
- N'utilisez pas le produit sur une échelle.



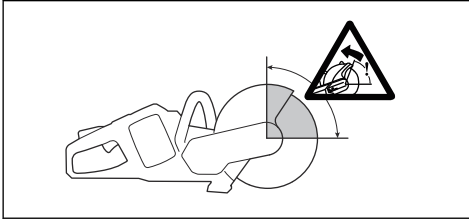
- Assurez-vous que la lame de coupe se déplace librement lorsque le moteur démarre.
- Surveillez toujours le produit lorsque le moteur tourne.
- Ne déplacez pas le produit lorsque la lame de coupe tourne. Le produit est équipé d'un frein électrique pour diminuer le temps d'arrêt de la lame.
- Assurez-vous que le support de terre avant est aligné sur la pièce à découper à l'arrière. Le protège-lame récupère les projections et la poussière et les éloigne de l'opérateur.



- Découpez à plein régime. Maintenez une vitesse de rotation maximale jusqu'à la fin de l'opération de découpe.
- Appuyez légèrement la lame de coupe contre l'objet que vous êtes en train de découper. Ne forcez pas.
- Alignez la lame de coupe sur le trait de coupe.



- Déplacez la lame de coupe lentement d'avant en arrière de façon à réduire la zone située entre la lame de coupe et le matériau. Cela permet de réduire la température de la lame de coupe.



- N'effectuez pas de découpe avec la zone de rebond de la lame. Reportez-vous à la section *Rebond à la page 68*.

## Rebond



**AVERTISSEMENT:** les rebonds sont soudains et peuvent être très dangereux. Le produit peut être déplacé vers le haut et vers l'arrière dans le sens de l'utilisateur, dans un mouvement de rotation. Un effet de rebond peut provoquer des blessures graves, voire mortelles. Vous devez comprendre le phénomène de rebond et savoir comment l'éviter avant d'utiliser ce produit.

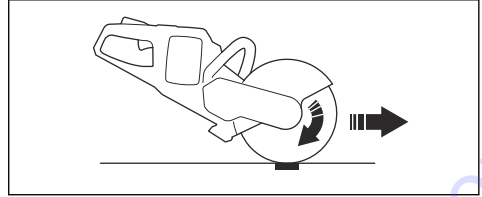
L'effet de rebond se produit lorsque la lame est coincée dans la zone de rebond. Il n'est généralement pas dangereux, mais un fort rebond peut provoquer des blessures graves, voire mortelles.



### Force de réaction

- Une force de réaction entraîne le produit dans le sens inverse de la rotation de la lame. La plupart du temps, cette force est insignifiante. Si la lame est

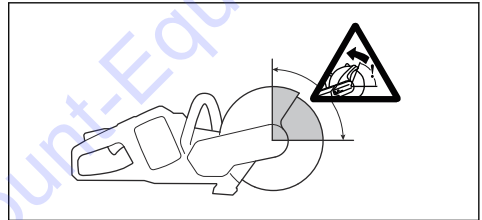
coincée, l'intensité de la force de réaction peut entraîner un rebond.



- N'inclinez pas le produit si l'équipement de coupe tourne. Les forces centrifuges peuvent réduire le mouvement.

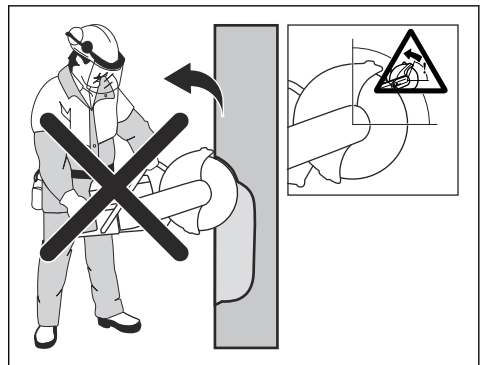
### Zone de rebond

- N'effectuez pas de coupe avec la zone de rebond de la lame de coupe. si la lame est coincée dans la zone de rebond, la force de réaction amène le produit vers le haut et l'arrière. Il peut alors heurter l'opérateur et entraîner des blessures graves, voire mortelles.



### Rebond de grimpée

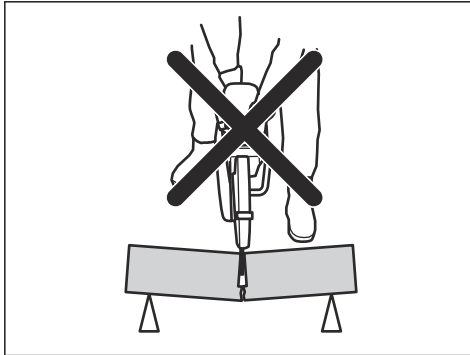
- N'utilisez pas la zone de rebond. Lorsque la zone de rebond est utilisée pour la découpe, la force de réaction déplace la lame vers le haut dans l'entaille. Utilisez la partie inférieure de la lame pour éviter tout rebond de grimpée.



### Rebond de pincement

- Une lame est coincée lorsque l'entaille se referme et bloque sa rotation. Si la lame est coincée, l'intensité

de la force de réaction peut entraîner une perte en cas de rebond.



- Assurez-vous que la pièce à découper est correctement maintenue de façon à maintenir l'entaille ouverte lors d'une opération de découpe. Estimez le mouvement éventuel de la pièce à découper au moment de la dernière phase de l'opération de découpe. Assurez-vous que l'entaille s'ouvre au cours de l'opération de découpe. Une entaille qui se referme peut provoquer un rebond de pincement.

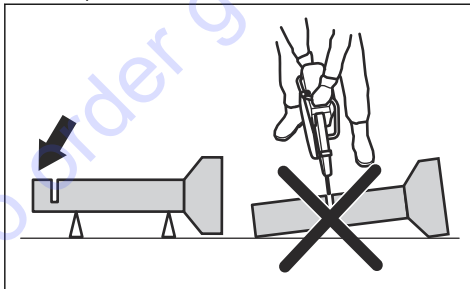
## Découpe de tuyaux



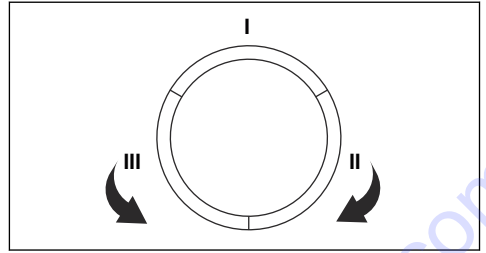
**AVERTISSEMENT:** Si la lame est coincée dans la zone de rebond, un rebond se fera sentir.

Soyez prudent lors de la découpe de tuyaux. Le tuyau doit être correctement fixé et l'entaille maintenue ouverte tout au long de la découpe. Si ce n'est pas le cas, la lame peut se coincer. Soyez particulièrement prudent lors de la découpe d'un tuyau en tulipe ou d'un tuyau dans un fossé. S'il n'est pas correctement soutenu, la lame peut se coincer.

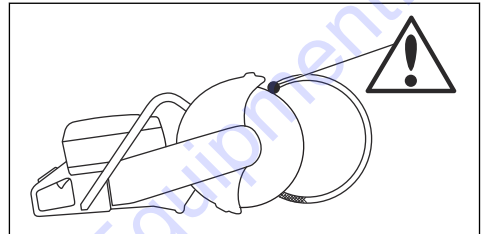
- Vérifiez que le tuyau ne bouge pas pendant la découpe.



- Commencez par découper la section « I ».



- Vérifiez que l'entaille s'ouvre afin d'éviter tout pincement.



- Passez au côté II et effectuez la découpe en partant de la section I jusqu'à la partie inférieure du tuyau.
- Passez au côté III et découpez la partie restante du tuyau.
- Assurez-vous que le tuyau est correctement fixé. L'extrémité du tuyau doit s'affaisser au cours de la découpe.

## Élimination des risques de pincement



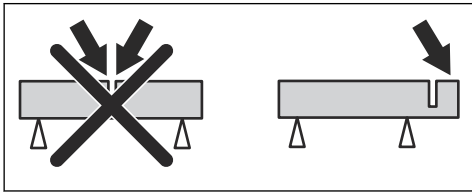
**AVERTISSEMENT:** ne laissez pas l'entaille se refermer lors d'une opération de découpe. Une entaille qui se referme peut provoquer un pincement de la lame, ce qui entraîne un effet de rebond ou l'endommagement de la lame de coupe.



**AVERTISSEMENT:** soyez prudent lorsque vous insérez la lame de coupe dans une entaille existante.

- Assurez-vous que la pièce à découper ne peut pas se déplacer lors de la découpe.
- Assurez-vous que la pièce à découper est correctement maintenue de façon à maintenir l'entaille ouverte lors d'une opération de découpe.
- Estimez le mouvement éventuel de la pièce à découper pendant la dernière phase de l'opération de découpe.

- Assurez-vous que l'entaille s'ouvre au cours de l'opération de découpe.



## Gestion de la poussière

- Le produit est équipé d'un système à faible aspersion d'eau. Utilisez dans la mesure du possible

des disques de découpe à l'eau. Reportez-vous aux instructions à la section *Raccordement de l'eau de refroidissement à la page 65*. Le débit correct est différent en fonction des divers types de tâches. Si le tuyau d'eau se détache au niveau de la source d'alimentation, la pression de l'eau fournie peut être trop élevée. Reportez-vous à la section *Caractéristiques techniques à la page 73* pour connaître la pression d'eau recommandée.

- Réglez le débit d'eau à l'aide de la soupape.

## Entretien

### Introduction



**AVERTISSEMENT:** assurez-vous de lire et de comprendre le chapitre sur la sécurité avant de procéder à l'entretien du produit.



**AVERTISSEMENT:** retirez la batterie avant de procéder à l'entretien du produit.

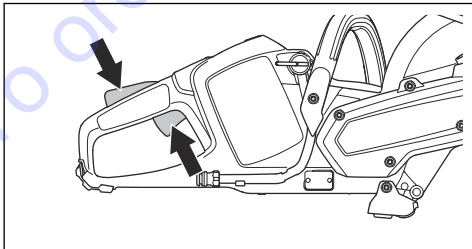


**AVERTISSEMENT:** Le non-respect des procédures d'entretien peut réduire la durée de vie du produit et augmenter le risque d'accident. Toutes les opérations d'entretien et/ou de réparation doivent également être réalisées par un professionnel. Contactez votre revendeur pour de plus amples informations.

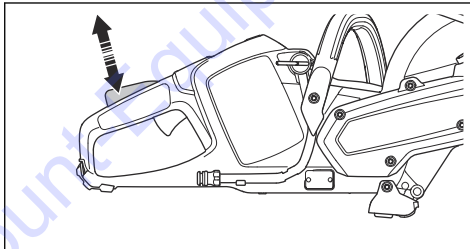
### Entretien et contrôle des dispositifs de sécurité du produit

#### Pour contrôler le blocage de la gâchette de puissance

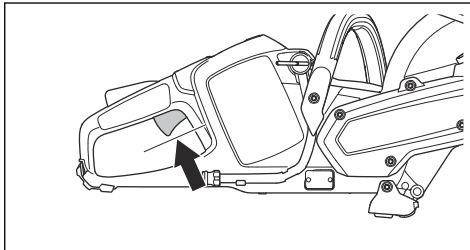
- Assurez-vous que la gâchette de puissance et le blocage de la gâchette de puissance se déplacent librement et que le ressort de rappel fonctionne correctement.



- Appuyez sur le blocage de la gâchette de puissance et assurez-vous qu'il retourne à sa position initiale lorsque vous le relâchez.



- Vérifiez que la gâchette de puissance est bloquée en position de ralenti lorsque le blocage est relâché.

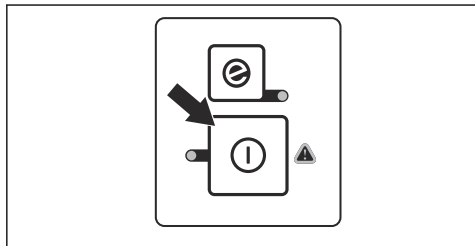


- Démarrez le produit et faites-le tourner à puissance maximum.
- Relâchez la gâchette de puissance et assurez-vous que la lame de coupe s'immobilise. Si la lame de coupe tourne lorsque la gâchette de puissance est en position de ralenti, contactez votre atelier d'entretien.

#### Pour contrôler le clavier

- Faites démarrer le produit. Voir *Pour contrôler le blocage de la gâchette de puissance à la page 70*
- Appuyez à nouveau sur le bouton marche/arrêt.

- Assurez-vous que le produit s'arrête lorsque vous appuyez sur le bouton et le maintenez enfoncé. La LED verte s'éteint.



## Pour nettoyer la batterie et le chargeur de batterie

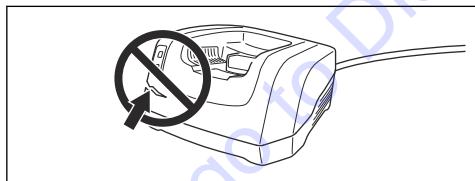


**REMARQUE:** Ne nettoyez pas la batterie ou le chargeur de batterie avec de l'eau.

- Assurez-vous que la batterie et le chargeur de batterie sont propres et secs avant de placer la batterie dans le chargeur de batterie.
- Nettoyez les bornes de la batterie avec de l'air comprimé ou un chiffon sec et doux.
- Nettoyez les surfaces de la batterie et du chargeur de batterie avec un chiffon sec et doux.

## Contrôle du chargeur de batterie

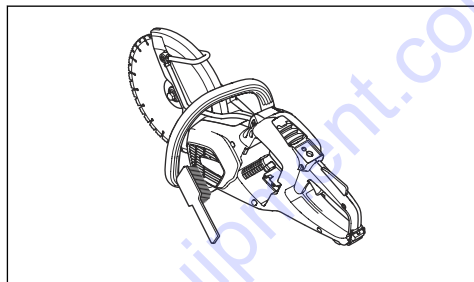
- Assurez-vous que le chargeur de batterie et le câble d'alimentation ne sont pas endommagés. Recherchez la présence de fissures et d'autres défauts.



## Pour nettoyer le circuit de refroidissement

Le produit est équipé d'un système de refroidissement qui maintient une température de travail aussi basse que possible.

Le système de refroidissement comprend une prise d'air sur le côté gauche du produit et un ventilateur sur le moteur.



- Nettoyez le système de refroidissement avec une brosse une fois par semaine ou plus fréquemment si nécessaire.
- Assurez-vous que le système de refroidissement n'est pas encrassé ou colmaté.



**REMARQUE:** Un système de refroidissement encrassé ou colmaté peut entraîner une surchauffe du produit.

## Calendrier de maintenance



**AVERTISSEMENT:** Retirez la batterie avant d'effectuer l'entretien.

La liste ci-dessous indique les étapes d'entretien à effectuer sur le produit.

Entretien	Avant chaque utilisation	Toutes les semaines	Une fois par mois
Nettoyez les pièces externes du produit.	X		
Vérifiez que la gâchette de puissance et son blocage fonctionnent en toute sécurité.	X		
Contrôlez la lame de coupe. Recherchez la présence de fissures et assurez-vous que la lame de coupe n'est pas anormalement usée. Remplacez si nécessaire.	X		
Nettoyez le carter du ventilateur du produit.	X		
Assurez-vous que les vis et les écrous sont serrés.	X		

Entretien	Avant chaque utilisation	Toutes les semaines	Une fois par mois
Vérifiez que le clavier fonctionne correctement et n'est pas endommagé.	X		
Contrôlez les connexions entre la batterie et le produit. Contrôlez la connexion entre la batterie et le chargeur de batterie.			X
Nettoyez le produit et la batterie avec de l'air comprimé à faible pression.			X

## Dépannage

### Clavier

Problème	Cause	Solution
Témoin d'avertissement clignote.	Écart de température.	Laissez le produit refroidir.
	Surcharge. L'équipement de coupe est obstrué.	Nettoyez l'équipement de coupe.
	Appuyez simultanément sur la gâchette de puissance et sur le bouton d'activation.	Relâchez la gâchette de puissance.
Témoin vert clignote.	Tension de batterie faible.	Rechargez la batterie.
Le témoin d'avertissement est allumé.	Service.	Contactez votre atelier d'entretien.

### Batterie

Problème	Cause	Solution
Témoin d'avertissement clignote.	La batterie n'est pas chargée.	Rechargez la batterie.
	Écart de température.	Utilisez la batterie dans un environnement où la température est comprise entre -10 °C (14 °F) et 40 °C (104 °F).
	Tension trop élevée.	Vérifiez que la tension de la batterie est identique à celle indiquée sur la plaque signalétique du produit. Dégagez la batterie du chargeur de batterie.
Le témoin d'avertissement est allumé.	L'écart de tension entre les cellules de la batterie est trop important (1 V).	Contactez votre atelier d'entretien.



## Chargeur de batterie

Problème	Cause	Solution
Témoin d'avertissement clignote.	Écart de température.	Utilisez la batterie dans un environnement où la température est comprise entre 5 °C (41 °F) et 40 °C (104 °F).
Le témoin d'avertissement est allumé.		Contactez votre atelier d'entretien.

## Transport, entreposage et mise au rebut

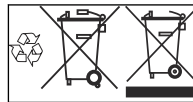
### Transport et stockage

- Les batteries Li-ion fournies respectent les exigences de la législation sur les marchandises dangereuses.
  - Vous devez respecter l'exigence spécifique relative à l'emballage et aux étiquettes pour les transports commerciaux, y compris par des tiers et des transitaires.
  - Consultez un expert en matières dangereuses avant d'expédier le produit. Respectez les lois nationales en vigueur.
  - Mettez du ruban adhésif sur les contacts lorsque vous placez la batterie dans un emballage. Placez la batterie dans l'emballage de façon hermétique pour empêcher tout mouvement.
  - Retirez la batterie lors du stockage ou du transport.
  - Placez la batterie et le chargeur de batterie dans un endroit sec, exempt d'humidité et de gel.
  - Ne conservez pas la batterie dans un endroit présentant un risque d'électricité statique. Ne conservez pas la batterie dans une boîte métallique.
  - Conservez la batterie dans un endroit où la température est comprise entre 5 °C (41 °F) et 25 °C (77 °F) et à l'écart de la lumière du soleil.
  - Conservez le chargeur de batterie dans un endroit où la température est comprise entre 5 °C (41 °F) et 45 °C (113 °F) et à l'écart de la lumière du soleil.
  - Chargez la batterie entre 30 % et 50 % avant de la remettre pendant de longues périodes.
  - Conservez le chargeur de batterie dans un local fermé et sec.
- Conservez la batterie à l'écart du chargeur lors du rangement. Ne laissez pas des enfants ou d'autres personnes non homologuées toucher l'équipement. Conservez l'équipement dans un local verrouillable.
  - Nettoyez le produit et effectuez un entretien complet avant de remettre le produit pendant de longues périodes.
  - Utilisez la protection de transport du produit pour éviter les blessures et les dégâts causés au produit lors du transport et du remisage.
  - Fixez le produit pour le transporter.

### Mise au rebut de la batterie, du chargeur de batterie et du produit

Le symbole ci-dessous indique que le produit ne fait pas partie des ordures ménagères. Déposez-le dans une station de recyclage pour équipements électriques et électroniques. Ceci permet d'éviter les dangers pour l'environnement et les personnes.

Consultez les autorités locales, le service des ordures ménagères ou votre revendeur pour plus d'informations.



**Remarque:** Le symbole apparaît sur le produit ou l'emballage du produit.

## Caractéristiques techniques

### Caractéristiques techniques

<b>Husqvarna K 535i</b>	
Tension	36V

<b>Husqvarna K 535i</b>				
Poids, kg (lbs)		3,5 (7,7)		
Diamètre de lame, mm (po)		230 (9)		
Épaisseur de lame max., mm (po)	Lames abrasives		3,0 (0,1)	
	Lames diamant		1,8 (0,07)	
Vitesse nominale de l'unité		5940 tr/min		
<b>Refroidissement par eau</b>				
Refroidissement par eau de la lame		Oui		
Embout de raccordement		Type "Gardena"		
Pression d'eau recommandée, en bar (psi)		0,5 - 6 ( 7,3 - 87)		
Pression d'eau maximale, en bar (psi)		6 (87)		
	Niveaux de vibration, $a_{hveq}$ <sup>1</sup>		Émissions sonores <sup>2</sup>	
	Avant/gauche	Arrière droite	LpA	LwA
	m/s <sup>2</sup>	m/s <sup>2</sup>	dB(A)	dB(A)
BLi200	1,9	2,3		
BLi300	2,1	2,5	100,5	111,5
<sup>1</sup> La valeur totale déclarée des vibrations résulte d'une mesure conforme à la norme EN 60745-2-22 et peut être utilisée pour comparer un outil à un autre. La valeur totale déclarée des vibrations peut également être utilisée dans le cadre d'une évaluation préliminaire d'exposition.				
<sup>2</sup> Les émissions sonores sont mesurées conformément à la norme EN 60745-2-22. <ul style="list-style-type: none"> <li>• L'incertitude pour le niveau de puissance acoustique pondéré A <math>K_{pA}</math> est de 3 dB(A).</li> <li>• L'incertitude pour le niveau de pression acoustique pondéré A <math>K_{pA}</math> est de 3 dB(A).</li> </ul>				

## Accessoires

### Batteries homologuées pour le produit

Batterie	BLi200	BLi300
Type	Lithium-ion	Lithium-ion
Capacité de la batterie, Ah	5,2	9,4
Tension nominale, V	36	36
Poids, kg/lb	1,3 / 2,9	1,9 / 4,2

## Chargeurs de batterie homologués pour le produit

Chargeur de batterie	QC330
Tension secteur, V	100-240
Fréquence, Hz	50-60
Puissance, W	330

# Inhoud

Inleiding.....	77	Probleemoplossing.....	98
Veiligheid.....	79	Vervoer, opslag en verwerking.....	99
Montage.....	86	Technische gegevens.....	99
Werking.....	90	Accessoires.....	100
Onderhoud.....	96	EG-conformiteitsverklaring.....	101

# Inleiding

## Productbeschrijving

Husqvarna K 535i is een draagbare, handbediende doorslijpmachine. Het product wordt van stroom voorzien door een accu.

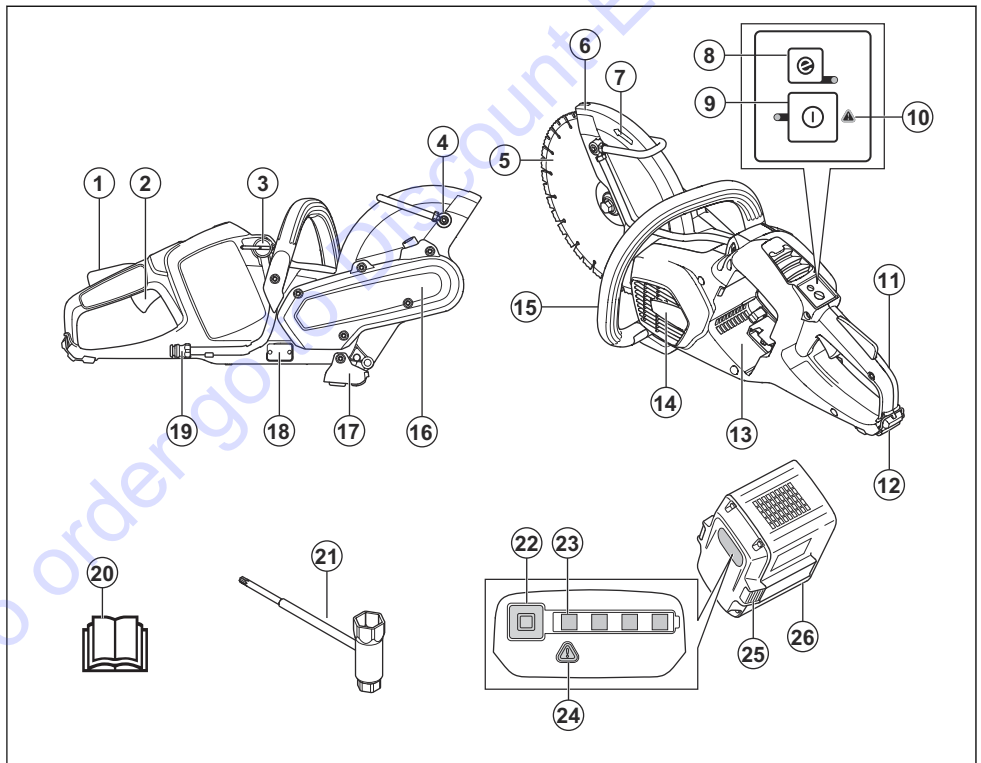
Er wordt voortdurend gewerkt aan het verhogen van uw veiligheid en efficiëntie tijdens bedrijf. Neem voor meer informatie contact op met uw servicedealer.

## Gebruik

Dit product wordt gebruikt voor het snijden van dakpannen, tuintegels en licht beton.

**Let op:** Er kunnen landelijke regels zijn die het gebruik van dit product beperken.

## Productoverzicht



1. Vergrendeling voedingschakelaar

2. Voedingschakelaar

3. Waterklep
4. Watermondstuk
5. Zaagblad
6. Bladbeschermkap
7. Bladrotatie
8. SavE-knop
9. Start- en stopknop
10. Waarschuwinglampje
11. Achterhandgreep met rechterhandbescherming
12. Achterste grondsteun met een kabeloog
13. Accusleuf
14. Ventilatorbehuizing
15. Voorste handgreep
16. Riembescherming
17. Voorste grondsteun
18. Typeplaatje
19. Wateraansluiting met filter
20. Bedieningshandleiding
21. Ring-steeksleutel
22. Knop, accustatus
23. Accustatus
24. Waarschuwinglampje
25. Accuontgrendelknop
26. Accu (niet meegeleverd)



Terugslag kan plotseling en snel optreden en verwondingen veroorzaken. Lees de gebruiksaanwijzing aandachtig door en gebruik het product niet voordat u de instructies goed hebt begrepen.



Controleer of het zaagblad niet gescheurd of anderszins beschadigd is.



Gebruik geen zaagbladen bestemd voor cirkelzagen.

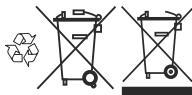


**Milieumarkering.** Het product of de verpakking ervan is geen huishoudelijk afval. Lever het in bij een recyclepunt voor elektrische en elektronische apparatuur.

	Rotatierichting blad
yyyywwxxxx	Het productplaatje toont het serienummer. <b>jjjj</b> is het productiejaar, <b>ww</b> is de productieweek.
∅	Maximale buitendiameter blad
d.c.	Gelijkstroom
n	Nominale snelheid

**Let op:** Andere symbolen/stickers op het product hebben betrekking op certificeringseisen voor bepaalde markten.

## Symbolen op de accu en/of op de accuhouder.



Lever dit product in bij een recyclepunt voor elektrische en elektronische apparatuur. (Alleen geldig voor Europa)



Faalveilige transformator.



Bewaar en gebruik de acculader alleen binnen.

## Symbolen op het product



Risico op ernstig letsel of overlijden van de gebruiker of anderen. Wees voorzichtig en gebruik het product op de juiste manier.



Lees de handleiding zorgvuldig door en zorg dat u de instructies hebt begrepen voordat u het product gebruikt.



Draag een goedgekeurde veiligheidshelm, ademhalingsbescherming en gehoor- en oogbescherming.



Dit product voldoet aan de geldende EU-richtlijnen.



Slijpstof kan ademhalingsproblemen veroorzaken. Gebruik goedgekeurde ademhalingsbescherming. Adem geen uitlaatgassen in. Zorg voor voldoende ventilatie.



Vonken van het zaagblad kunnen brand veroorzaken in brandbare materialen zoals benzine, hout, kleren en droog gras.



Dubbele isolatie.

## Productaansprakelijkheid

Zoals uiteengezet in de wet voor productaansprakelijkheid zijn wij niet aansprakelijk voor schade die door ons product wordt veroorzaakt, indien:

- het product niet goed is gerepareerd.
- het product is gerepareerd met onderdelen die niet van de fabrikant afkomstig zijn, of onderdelen die niet zijn goedgekeurd door de fabrikant.
- het product een accessoire bevat dat niet afkomstig is van de fabrikant of niet is goedgekeurd door de fabrikant.
- het product niet is gerepareerd door een erkend servicepunt of door een erkende autoriteit.

## Veiligheid

### Veiligheidsdefinities

Waarschuwingen, voorzorgsmaatregelen en opmerkingen worden gebruikt om te wijzen op belangrijke delen van de handleiding.



**WAARSCHUWING:** Wordt gebruikt om te wijzen op de kans op ernstig of fataal letsel voor de gebruiker of omstanders wanneer de instructies in de handleiding niet worden gevolgd.



**OPGELET:** Wordt gebruikt indien er een risico bestaat op schade aan het product en andere eigendommen of aan de omgeving wanneer de instructies in de handleiding niet worden gevolgd.

**Let op:** Geven verdere informatie die nodig is in een bepaalde situatie.

### Algemene veiligheidswaarschuwingen voor elektrisch gereedschap



**WAARSCHUWING:** Lees alle veiligheidswaarschuwingen en alle instructies. Het niet opvolgen van de waarschuwingen en instructies kan leiden tot elektrische schokken, brand en/of ernstig letsel.

**Let op: Bewaar alle waarschuwingen en instructies voor later gebruik.** De term "elektrisch gereedschap" in de waarschuwingen verwijst zowel naar gereedschappen die op het lichtnet (met snoer) werken als gereedschappen die met een accu (snoerloos) werken.

### Veiligheid van het werkgebied

- **Zorg ervoor dat de werkplek schoon en goed verlicht is.** In rommelige of donkere gebieden gebeuren eerder ongelukken.

- **Gebruik elektrisch gereedschap niet in een omgeving waar ontploffingsgevaar bestaat, zoals in de buurt van brandbare vloeistoffen, gassen of stof.** Elektrische apparaten creëren vonken waardoor het stof of de dampen kunnen ontbranden.
- **Houd kinderen en omstanders op afstand wanneer u elektrisch gereedschap gebruikt.** U kunt de controle over het apparaat verliezen als u afgeleid wordt.

### Elektrische veiligheid

- **Elektrisch gereedschap moet geschikt zijn voor het betreffende stopcontact. Wijzig nooit de stekker. Gebruik nooit een adapterstekker in combinatie met geaarde elektrische gereedschappen.** Ongewijzigde stekkers en overeenkomende stopcontacten verkleinen het risico op elektrische schokken.
- **Vermijd lichamelijk contact met geaarde oppervlakken, zoals buizen, radiatoren, fornuizen en koelkasten.** Er is een verhoogd risico op elektrische schokken als uw lichaam geaard is.
- **Stel elektrische gereedschappen niet bloot aan regen of vochtige omstandigheden.** Water dat in elektrisch gereedschap binnendringt, verhoogt het risico op elektrische schokken.
- **Gebruik het snoer niet voor oneigenlijke doeleinden.** Gebruik het snoer nooit om het elektrische apparaat aan te dragen, te trekken of om de stekker uit het stopcontact te trekken. Houd het snoer uit de buurt van warmte, olie, scherpe randen of bewegende onderdelen. Beschadigde of in de knoop geraakte snoeren verhogen het risico op elektrische schokken.
- **Gebruik een verlengsnoer dat geschikt is voor gebruik buitenshuis wanneer u buiten werkt met elektrisch gereedschap.** Het gebruik van een snoer dat geschikt is voor gebruik buitenshuis vermindert het risico op elektrische schokken.
- **Als gebruik van een elektrisch apparaat in een vochtige omgeving onvermijdelijk is, gebruik dan een netvoeding met overstrombeveiliging (RCD).** Het gebruik van een RCD vermindert het risico op elektrische schokken



**OPGELET:** Reinig de machine niet met een hogedrukreiniger, want water kan binnendringen in het elektrische systeem of de motor en kan schade of kortsluiting in de machine veroorzaken.

## Persoonlijke veiligheid

- **Wees altijd alert, kijk wat u doet en gebruik uw gezonde verstand wanneer u elektrisch gereedschap gebruikt. Gebruik elektrisch gereedschap niet als u moe bent of onder invloed bent van drugs, alcohol of medicijnen.** Een moment van onoplettendheid tijdens het gebruik van elektrische apparaten kan leiden tot ernstig persoonlijk letsel.
- **Maak altijd gebruik van persoonlijke beschermingsmiddelen. Draag altijd oogbescherming.** Beschermingsmiddelen zoals een stofmasker, veiligheidsschoenen met antislipprofiel, een veiligheidshelm of gehoorbescherming in relevante werkomstandigheden beperken letsel.
- **Voorkom een onbedoelde start. Zorg ervoor dat de schakelaar in de uit-positie staat voordat u het gereedschap aansluit op een spanningsbron en/of accu, oppakt of draagt.** Het dragen van elektrische apparaten met uw vinger op de schakelaar of het onder spanning zetten van elektrische apparaten waarvan de schakelaar aan staat, kan makkelijk leiden tot ongelukken.
- **Verwijder eventuele (inste) sleutels voordat u het elektrisch gereedschap inschakelt.** Een sleutel die is bevestigd aan een draaiend onderdeel van het elektrische gereedschap kan persoonlijk letsel tot gevolg hebben.
- **Voorkom overstrekken. Zorg dat u te allen tijde stevig en in balans staat.** Hierdoor heeft u een betere controle over het apparaat in onverwachte situaties.
- **Draag geschikte kleding. Draag geen losse kleding of sieraden. Houd uw haar, kleding en handschoenen uit de buurt van bewegende onderdelen.** Losse kleding, sieraden of lang haar kunnen verstrikt raken in bewegende onderdelen.
- **Als de mogelijkheid bestaat voor het opvangen van stof moet u ervoor zorgen dat deze is aangesloten en op de juiste wijze wordt gebruikt.** Het gebruik van stofopvang kan stofgerelateerde gevaren beperken.
- **De trillingsemissie tijdens het feitelijke gebruik van de machine kan afwijken van de opgegeven totaalwaarde en is afhankelijk van de manier waarop het gereedschap wordt gebruikt.** Om zichzelf te beschermen, moeten gebruikers de nodige veiligheidsmaatregelen nemen op basis van een schatting van de blootstelling in de feitelijke gebruiksomstandigheden. Hierbij moet rekening worden gehouden met alle elementen van de bedrijfscyclus, dus niet alleen de tijd dat het

gereedschap actief wordt gebruikt, maar ook de tijd dat het gereedschap is uitgeschakeld of stationair draait.

- **Blijf op afstand van de schijf wanneer de motor draait.**

## Gebruik en verzorging van elektrische apparaten

- **Gebruik elektrische gereedschap niet voor taken waarvoor het niet geschikt is. Gebruik het juiste elektrische apparaat voor uw toepassing.** Met het juiste elektrische apparaat kunt u de taak beter en veiliger uitvoeren met de snelheid waarvoor het is ontworpen.
- **Gebruik het elektrisch gereedschap niet als de aan/uitschakelaar niet werkt.** Elektrische apparaten die niet bediend kunnen worden met de schakelaar zijn gevaarlijk en moeten gerepareerd worden.
- **Haal de stekker uit het stopcontact en/of verwijder de accu van het elektrische gereedschap voordat u aanpassingen maakt, accessoires verwisselt of het elektrische gereedschap opbergt.** Deze voorzorgsmaatregelen verkleinen het risico op het per ongeluk starten van het elektrische apparaat.
- **Berg elektrisch gereedschap dat u niet nodig hebt op buiten het bereik van kinderen en laat personen die onbekend zijn met het elektrisch gereedschap of deze instructies niet werken met het elektrisch gereedschap.** Elektrische apparaten zijn gevaarlijk in handen van ongetrainde gebruikers.
- **Onderhoud elektrisch gereedschap goed. Controleer op onjuiste montage of vastlopen van bewegende delen, gebroken onderdelen en andere condities die de werking van het elektrische gereedschap kunnen beïnvloeden. Als het elektrische apparaat beschadigd is, moet u het laten repareren voordat u het gebruikt.** Veel ongelukken worden veroorzaakt door slecht onderhouden elektrische apparaten.
- **Houd snijgereedschappen scherp en schoon.** Goed onderhouden snijgereedschappen met scherpe snijranden zullen minder gauw vastlopen en zijn eenvoudiger onder controle te houden.
- **Gebruik het elektrisch gereedschap, de accessoires, gereedschapsbits en dergelijke in overeenstemming met deze instructies en houd hierbij rekening met de werkomstandigheden en het type klus dat moet worden uitgevoerd.** Als u het elektrische apparaat voor andere toepassingen gebruikt dan waarvoor het is bedoeld, kan er een gevaarlijke situatie ontstaan.
- **Onder geen beding mag u wijzigingen aanbrengen in het oorspronkelijke ontwerp van de machine zonder toestemming van de fabrikant.** Gebruik altijd originele reserveonderdelen. Ongeautoriseerde wijzigingen en/of accessoires kunnen ernstig of dodelijk letsel aan de gebruiker of anderen toebrengen.

- **Verzeker u ervan dat zich op de werkplek of in het te frezen materiaal geen leidingen of elektrische kabels bevinden.**
- **Controleer altijd waar gasleidingen lopen en geef hun locatie duidelijk aan.** Zagen of frezen dicht bij gasleidingen houdt altijd gevaar in. Voorkom het ontstaan van vonken met het oog op het risico van een explosie. Blijf geconcentreerd en gefocust op de taak. Achteloosheid kan resulteren in ernstig of zelfs dodelijk persoonlijk letsel.

## Gebruik en onderhoud van gereedschap met accu

- **Laad het gereedschap alleen op met de lader die door de fabrikant is gespecificeerd.** Een lader die voor een bepaald type accu geschikt is, kan een risico op brand creëren als de lader met een andere accu wordt gebruikt.
- **Gebruik elektrisch gereedschap enkel met de specifiek hiervoor bedoelde accu.** Als er andere accupacks worden gebruikt, bestaat er risico op letsel en brand.
- **Als het accupack niet gebruikt wordt, houd hem dan uit de buurt van andere metalen voorwerpen, zoals paperclips, munten, sleutels, spijkers, schroeven of andere kleine metalen voorwerpen die een verbinding tussen de twee klemmen kunnen maken.** Als er kortsluiting tussen de accuaansluitingen ontstaat, kunnen er brandwonden of brand ontstaan.
- **Als het accupack verkeerd wordt gebruikt, kan er vloeistof uit de accu komen; zorg dat u deze niet aanraakt. Als u per ongeluk in contact komt met de vloeistof, afspoelen met water. Als er vloeistof in de ogen komt dient u medische hulp in te roepen.** Vloeistof die uit accu's loopt, kan irritatie of brandwonden veroorzaken.

## Service

- **Laat uw elektrische apparaat repareren door een gekwalificeerde monteur en gebruik uitsluitend identieke vervangingsonderdelen.** Dit zorgt ervoor dat de veiligheid van het elektrisch gereedschap wordt gehandhaafd.

## Veiligheidswaarschuwingen doorslijpmachine

- **Voor optimale veiligheid moet de bijgeleverde beschermkap stevig op het gereedschap worden bevestigd en zo worden geplaatst dat er zo min mogelijk risico is op contact tussen wiel en gebruiker.** Zorg dat uzelf en omstanders afstand houden van het blad van het ronddraaiende wiel. De kap beschermt de gebruiker tegen brokstukken van het wiel en onbedoeld aanraken van het wiel.
- **Gebruik alleen gebonden versterkte of diamanten doorslijpschijven voor uw elektrisch gereedschap.** Het feit dat een accessoire op de

machine past, betekent niet dat een veilige werking is gegarandeerd.

- **De nominale snelheid van een accessoire moet minstens zo groot zijn als de maximale snelheid van het gereedschap.** Accessoires die op een te hoge snelheid worden gebruikt, kunnen uit elkaar vliegen.
- **Wielen mogen alleen worden gebruikt voor aanbevolen toepassingen. Probeer bijvoorbeeld niet te slijpen met de zijkant van de slijpschijf.** Een schurende slijpschijf is bedoeld voor omtrekslijpen – door kracht op de zijkant uit te oefenen zou de schijf uit elkaar kunnen vliegen.
- **Gebruik altijd onbeschadigde wielflenzen die de juiste grootte en vorm hebben voor het gebruikte wiel.** De juiste wielflenzen ondersteunen het wiel en verminderen de kans dat het wiel breekt.
- **Gebruik geen versleten, versterkte wielen van grotere elektrische gereedschappen.** Snijwielen bedoeld voor grotere elektrische gereedschappen zijn niet geschikt voor de hogere toerentallen van kleiner elektrisch gereedschap, en kunnen barsten bij gebruik in combinatie daarmee.
- **De buitendiameter en de dikte van uw accessoire moeten binnen de capaciteit van het gereedschap passen.** Accessoires van de verkeerde grootte kunnen niet goed beschermd en bediend worden.
- **Wielen en flenzen moeten nauwkeurig op de uitgaande as van het gereedschap passen.** Wielen en flenzen die niet nauwkeurig op de uitgaande as van het gereedschap passen, draaien ongelijkmatig, trillen sterk en kunnen ertoe leiden dat de controle verliest.
- **Gebruik geen beschadigde wielen. Controleer voor het gebruik wielen altijd op afsplinteringen en scheuren. Als het gereedschap of het wiel valt, dient u te controleren of het beschadigd is, of gebruik een onbeschadigd wiel. Als u het wiel hebt gecontroleerd en ingezet, laat u het gereedschap een minuut lang met het maximale toerental lopen. Daarbij dient u en dienen andere personen uit de buurt van het ronddraaiende wiel te blijven.** Beschadigde wielen breken meestal tijdens deze testtijd.
- **Draag altijd persoonlijke beschermingsuitrusting. Gebruik afhankelijk van de werkzaamheden gezichtsbescherming of een veiligheidsbril. Draag zo nodig een stofmasker, gehoorbescherming, handschoenen en een schort die afgeslepen materiaal en delen van het werkstuk kunnen tegenhouden.** De oogbescherming moet geschikt zijn om rondvliegende deeltjes tegen te houden die bij de werkzaamheden ontstaan. Het stofmasker of ademhalingsmasker moeten geschikt zijn om deeltjes uit de lucht te filteren. Langdurige blootstelling aan lawaai kan tot gehoorschade leiden.
- **Houd omstanders op een veilige afstand van het werkgebied. Iedereen die zich in het werkgebied**



**bevindt moet persoonlijke beschermingsmiddelen dragen.** Brokstukken van het werkstuk of een gebroken wiel kunnen wegvliegen en verwondingen veroorzaken, ook buiten de directe werkomgeving.

- **Houd het gereedschap alleen vast aan de geïsoleerde handgrepen tijdens het uitvoeren van werkzaamheden waarbij het snijtoebehoren in aanraking kan komen met verborgen bedrading.** Als het snijtoebehoren een onder stroom staande draad aanraakt, kan dit ervoor zorgen dat niet-geïsoleerde delen van het gereedschap ook onder stroom komen, waardoor de gebruiker een elektrische schok kan krijgen.
- **Leg het gereedschap nooit neer als het accessoire nog in beweging is.** Het draaiende wiel kan in contact komen met het oppervlak, waardoor u de controle over het gereedschap kunt verliezen.
- **Laat het gereedschap niet draaien terwijl u het opzij draagt.** Door onbedoeld contact met het draaiende accessoire kan uw kleding worden gegrepen, waardoor het accessoire in aanraking met uw lichaam komt.
- **Maak de ventilatieopeningen van het gereedschap geregeld schoon.** Door de ventilator van de motor wordt stof in de behuizing geblazen en door ophoping van metalen deeltjes kan er elektrisch gevaar ontstaan.
- **Gebruik het gereedschap niet bij ontvlambare materialen.** Ze zouden door vonken in brand kunnen raken.

## Terugslag en daarmee verwante waarschuwingen

- **Terugslag is een plotselinge reactie op een geklemd of vastzittend ronddraaiend wiel.** Door klemmen of vastzitten valt het ronddraaiende wiel snel stil. Dat zorgt ervoor zorgt dat het ongecontroleerde gereedschap in de tegenovergestelde richting van de rotatie van het wiel wordt geforceerd op het punt van de verbinding.
- **Bijvoorbeeld, als een slijpschijf in het werkstuk blijft klemzitten, dan zal de rand van de schijf zich in de oppervlakte van het materiaal graven waarna de schijf naar buiten schiet.** Het wiel kan in de richting van de gebruiker schieten of in de andere richting, afhankelijk van de bewegingsrichting van het wiel op het moment dat het vast bleef zitten. Een slijpschijf kan onder die omstandigheden ook breken.
- **Terugslag is het gevolg van verkeerd gebruik van het gereedschap en/of verkeerde bedrijfsprocedures of -omstandigheden en kan worden vermeden door de juiste voorzorgsmaatregelen te nemen, zoals hieronder wordt beschreven.**
- **Houd het gereedschap stevig vast en zorg ervoor dat lichaam en armen in een zodanige positie staan dat u de terugslagkrachten kunt weerstaan.** Maak steeds gebruik van het

hulphandvat, als het aanwezig is, zodat u tijdens het opstarten maximale beheersing hebt over terugslag en koppelreacties. De gebruiker kan koppelreacties en terugslagkrachten beheersen met de juiste voorzorgsmaatregelen.

- **Houd uw hand nooit bij het draaiende accessoire.** Het accessoire kan over uw hand terugslaan.
- **Zorg dat uw lichaam niet in een lijn met het ronddraaiende wiel staat.** Bij terugslag schiet het gereedschap in een richting die tegengesteld is aan de beweging van het wiel, op het moment dat het wiel vastklemt.
- **Wees voorzichtig bij het werken langs hoeken, scherpe randen en dergelijke** zodat vermeden wordt dat het accessoire terug stuift en blijft vastzitten. Hoeken, scherpe randen en stuiters kunnen het ronddraaiende accessoire vastgrijpen waardoor u de macht over het gereedschap verliest of er terugslag optreedt.
- **Maak geen zaagketting, houtsnijblad of gesegmenteerde diamantschijf vast met een perifere opening van meer dan 10 mm of een getand zaagblad.** Dergelijke gereedschappen geven vaak terugslag en het gevaar dat u de macht over het gereedschap verliest.
- **"Knel" het wiel niet en oefen geen overmatige druk uit.** Probeer niet extra diep te zagen. Door overbelasting van het wiel vergroot u de kans dat het wiel verbuigt of in de snede blijft vastzitten, waardoor het wiel terugslaat of breekt.
- **Indien het wiel blijft vastzetten of de werkzaamheden moeten worden onderbroken, schakel het gereedschap dan uit en houd het stil tot het wiel volledig tot stilstand is gekomen.** Probeer nooit om het nog ronddraaiende wiel uit de groef te trekken. Anders kan een terugslag het gevolg zijn. Onderzoek de oorzaak van het vastzittende wiel en neem maatregelen om het probleem te verhelpen.
- **Herstart het gereedschap niet in het werkstuk.** Laat het wiel tot volle snelheid komen en breng het weer terug in de snede. Het wiel kan vastklemmen, weglopen of terugslaan als het gereedschap wordt gestart met het wiel in het werkstuk.
- **Ondersteun panelen en grote werkstukken om het gevaar op vastklemmen en terugslag te verkleinen.** Een groot werkstuk kan onder eigen gewicht doorzakken. Ondersteun het werkstuk in de buurt van de zaaglijn en aan de rand van het werkstuk, aan weerszijden van het wiel.
- **Wees extra voorzichtig wanneer u in een bestaande muur of in andere "blinde" oppervlakken zaagt.** Het uitstekende wiel kan een gas- of waterleiding, elektrische bedrading of een ander object raken, wat terugslag kan veroorzaken.

## Algemene veiligheidsinstructies



**WAARSCHUWING:** Lees de volgende waarschuwingen voordat u het product gaat gebruiken.

- Dit product is een gevaarlijk gereedschap en kan ernstig letsel veroorzaken bij onnauwkeurig of incorrect gebruik. Het is erg belangrijk dat u de inhoud van deze handleiding hebt gelezen en begrepen.
- Dit product mag niet worden gewijzigd zonder toestemming van de fabrikant. Gebruik het product niet als iemand anders het heeft gewijzigd en gebruik te allen tijde goedgekeurde accessoires. Wijzigingen die niet door de fabrikant zijn goedgekeurd, kunnen ernstig of fataal letsel tot gevolg hebben voor de gebruiker of anderen.
- Houd het product schoon. Aanduidingen en stickers moeten volledig zichtbaar zijn.
- Dit product produceert tijdens bedrijf een elektromagnetisch veld. Dit veld kan onder bepaalde omstandigheden de werking van actieve of passieve medische implantaten verstoren. Om het risico op ernstig of fataal letsel te beperken, raden we personen met een medisch implantaat aan om contact op te nemen met hun arts en de fabrikant van het medische implantaat voordat ze dit product gebruiken.

## Veiligheidsinstructies voor bediening

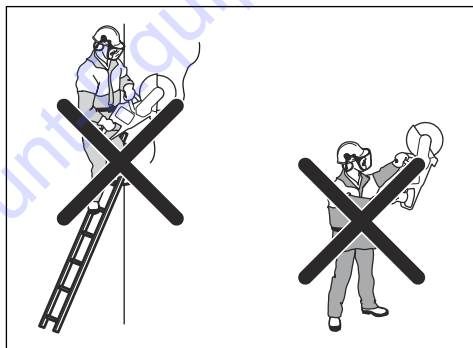


**WAARSCHUWING:** Lees alle veiligheids waarschuwingen en alle instructies. Het niet opvolgen van de waarschuwingen en instructies kan leiden tot elektrische schokken, brand en/of ernstig letsel.

- Zaag nooit asbestmaterialen.
- Zorg bij droog zagen dat stof veilig wordt verwijderd.
- De informatie in deze handleiding kan vakkennis en ervaring niet vervangen. Als u het apparaat gebruikt in een situatie waarin u zich niet veilig voelt, schakel het apparaat dan direct uit. Gebruik het product niet in onbekende situaties.
- Neem contact op met uw servicedealer of Husqvarna als u vragen hebt over de werking van het product. Wij kunnen u informatie geven over hoe u uw product op veilige wijze en met het beste resultaat bedient.
- Gebruik een product, accu of acculader niet als deze defect is.
- Raak een draaiend zaagblad niet aan. Dit kan leiden tot ernstig letsel of de dood.
- Gebruik het product niet in ongunstige weersomstandigheden, zoals dichte mist, hevige regen, harde wind en hevige kou. Slechte

weersomstandigheden kunnen leiden tot risico's zoals ijs op de grond.

- Start een product pas nadat alle kappen en afschermingen correct zijn gemonteerd.
- Controleer de omgeving. Zorg ervoor dat omstanders of dieren u niet zodanig kunnen aanraken of beïnvloeden, dat u de controle over het apparaat verliest.
- Laat het product niet door kinderen bedienen; houd het buiten hun bereik. Het product is eenvoudig te starten. Dit kan ernstig letsel tot gevolg hebben.
- Verwijder de accu wanneer u geen volledig zicht hebt op het product. Verwijder de accu wanneer u het product gedurende een lange periode niet gebruikt.
- U moet op stabiele ondergrond staan om het product volledig onder controle te houden. Gebruik het product niet als u op een ladder staat. Gebruik het product alleen als u op een stabiele ondergrond staat.
- Gebruik het product niet boven schouderhoogte.



- Als u niet oplet, wordt het risico op terugslag groter.



- Gebruik het apparaat niet met één hand. U kunt dit product niet veilig onder controle houden met één hand.
- Gebruik het product nooit in een situatie waarin u niet om hulp kunt roepen indien zich een ongeval voordoet.

- Zorg ervoor dat u veilig kunt bewegen. Controleer de omstandigheden en het terrein rondom u op eventuele obstakels.
- Als men teveel wordt blootgesteld aan trillingen, kan dit tot bloedvat- en zenuwbeschadigingen leiden bij personen die een slechte bloedcirculatie hebben. Consulteer uw dokter wanneer u symptomen heeft die wijzen op te grote blootstelling aan trillingen. Voorbeelden van zulke symptomen zijn slapen, geen gevoel, "kriebels", "speldeprikken", pijn, geen of minder kracht, huidverkleuringen of veranderingen van het huidoppervlak. Deze symptomen komen meestal voor op vingers, handen of polsen. Deze symptomen kunnen toenemen bij koude temperaturen.
- Het is niet mogelijk om elke situatie te vermelden die u kunt tegenkomen als u dit product gebruikt. Wees altijd voorzichtig en gebruik uw gezond verstand.

**Let op:** Nadat u het gereedschap hebt bediend, moet de gehoorbescherming direct na het voltooien van de zaagwerkzaamheden worden verwijderd, zodat u geluiden en waarschuwingssignalen kunt opmerken.

## Persoonlijke beschermingsuitrusting



**WAARSCHUWING:** Lees alle veiligheidswaarschuwingen en alle instructies. Het niet opvolgen van de waarschuwingen en instructies kan leiden tot elektrische schokken, brand en/of ernstig letsel.

- U moet goedgekeurde persoonlijke beschermingsmiddelen gebruiken wanneer u het product gebruikt. Persoonlijke beschermingsmiddelen bieden geen volledige bescherming tegen letsel, maar kunnen bij een ongeval wel de ernst van het letsel beperken. Neem contact op met uw servicedealer voor de aanbevolen veiligheidsuitrusting.
- Uw kleding moet nauwsluitend zijn zonder de bewegingsvrijheid te beperken. Controleer regelmatig de toestand van uw persoonlijke beschermingsmiddelen.
- Draag een goedgekeurde veiligheidshelm.
- Gebruik goedgekeurde ademhalingsbescherming.
- Gebruik goedgekeurde gehoorbescherming. Langdurige blootstelling aan lawaai kan leiden tot permanente gehoorbeschadiging.
- Gebruik altijd een veiligheidsbril of gezichtsvizier om de kans op letsel door deeltjes en stof te verkleinen. Dit kan leiden tot ernstig letsel, vooral aan ogen.
- Draag veiligheidshandschoenen van dikke stof.
- Gebruik laarzen met stalen neus en antislipzool.
- U moet altijd een EHBO-kit bij de hand hebben.

## Veiligheidsvoorzieningen op het product

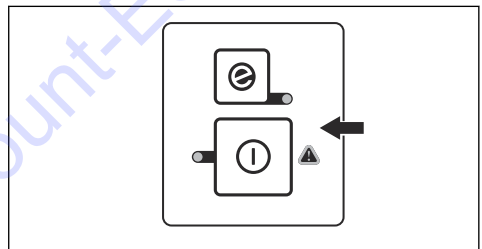


**WAARSCHUWING:** Lees alle veiligheidswaarschuwingen en alle instructies. Het niet opvolgen van de waarschuwingen en instructies kan leiden tot elektrische schokken, brand en/of ernstig letsel.

- Gebruik geen product met beschadigde veiligheidsvoorzieningen. De veiligheidsuitrusting moet regelmatig worden geïnspecteerd en onderhouden. Als een veiligheidsvoorziening na inspectie niet wordt goedgekeurd, neem dan contact op met uw servicedealer voor reparatie.

### Toetsenbord

Het waarschuwinglampje knippert bij een risico op overbelasting. De overbelastingsbescherming schakelt het product tijdelijk uit. U kunt het product gebruiken als de temperatuur weer op niveau is. Als het waarschuwinglampje blijft branden, neem dan contact op met uw servicedealer.



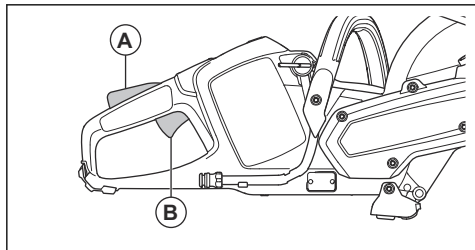
### De automatische stopfunctie

Het product is voorzien van een automatische stopfunctie, die het product stopt zodra u het een minuut lang niet gebruikt.

### Vergrendeling voedingsschakelaar

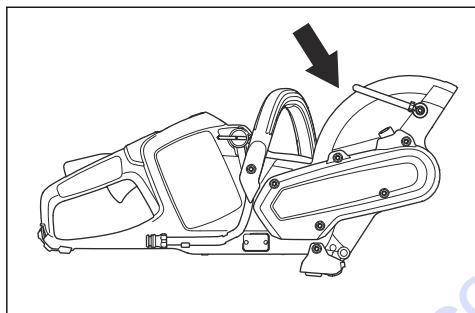
De vergrendeling van de activeringsschakelaar voorkomt dat de activeringsschakelaar per ongeluk wordt ingeschakeld. Als u uw hand rond de handgreep plaatst en de vergrendeling van de activeringsschakelaar (A) indrukt, laat deze de activeringsschakelaar los. Als u de handgreep loslaat,

bewegen de activeringsschakelaar en de vergrendeling weer terug naar hun beginposities.



## Bladbeschermkap

De bladbeschermkap beschermt de gebruiker tegen zaagdeeltjes. De bescherming voorkomt dat deeltjes losraken en de gebruiker letsel toebrengen



## Veiligheid bij accu's



**WAARSCHUWING:** Lees alle veiligheidswaarschuwingen en alle instructies. Het niet opvolgen van de waarschuwingen en instructies kan leiden tot elektrische schokken, brand en/of ernstig letsel.

- Gebruik uitsluitend de Husqvarna BLi-accu's die we voor uw product aanbevelen. De accu's zijn voorzien van softwarematige encryptie.
- Gebruik de Husqvarna BLi-accu's die oplaadbaar zijn uitsluitend als een voedingsbron voor de bijbehorende producten van Husqvarna. Gebruik de accu niet als voedingsbron voor andere apparaten, om letsel te voorkomen.
- Risico van elektrische schok. Breng de accuklemmen niet in contact met sleutels, schroeven of ander metaal. Dit kan kortsluiting van de accu veroorzaken.
- Gebruik geen accu's die niet oplaadbaar zijn.
- Plaats geen voorwerpen in de luchtspleten van de accu.
- Bescherm de accu tegen direct zonlicht, warmte of open vuur. De accu kan exploderen en

brandwonden en/of chemische brandwonden veroorzaken.

- Bescherm de accu tegen regen en vocht.
- Houd de accu uit de buurt van magnetrons en hoge druk.
- Probeer de accu niet te demonteren of te slopen.
- Laat accuzuur niet in contact komen met uw huid. Accuzuur kan verwondingen aan de huid, corrosie en brandplekken veroorzaken. Wrijf niet in uw ogen wanneer u accuzuur in uw ogen krijgt, maar spoel uw ogen minstens 15 minuten met water. Als accuzuur in contact is gekomen met uw huid, moet u de huid reinigen met veel water en zeep. Roep medische hulp in.
- Gebruik de accu bij temperaturen tussen -10 °C (14 °F) en 40 °C (104 °F).
- Reinig de accu of acculader nooit met water. Zie *Accu en acculader reinigen op pagina 97*.
- Gebruik geen defecte of beschadigde accu.
- Sla accu's op uit de buurt van metalen voorwerpen, bijvoorbeeld spijkers, schroeven en sieraden.
- Houd de accu buiten het bereik van kinderen.

## Veiligheidsvoorschriften voor acculader



**WAARSCHUWING:** Lees alle veiligheidswaarschuwingen en alle instructies. Het niet opvolgen van de waarschuwingen en instructies kan leiden tot elektrische schokken, brand en/of ernstig letsel.

- Risico van elektrische schok of kortsluiting wanneer de veiligheidsinstructies niet worden opgevolgd.
- Gebruik geen andere acculader dan die bij uw product is geleverd. Gebruik uitsluitend Husqvarna-QC-laders wanneer u vervangende Husqvarna-BLi-accu's oplaadt.
- Probeer de acculader niet te demonteren.
- Gebruik geen defecte of beschadigde acculader.
- Til de acculader niet op aan de voedingskabel. Trek aan de stekker om de acculader uit de wandcontactdoos te halen. Trek niet aan de voedingskabel.
- Houd alle kabels en verlengsnoeren uit de buurt van water, olie en scherpe kanten. Let op dat de kabel niet bekneld raakt tussen deuren, hekken en dergelijke.
- Gebruik de acculader niet in de buurt van brandbare materialen of materialen die corrosie kunnen veroorzaken. Controleer of de acculader niet is afgedekt. Haal de stekker van de acculader uit de wandcontactdoos bij rookontwikkeling of brand.
- De accu mag alleen binnenshuis worden opgeladen op een plek met voldoende ventilatie en zonder direct zonlicht. Laad de accu niet buiten op. Laad de accu niet op in vochtige omstandigheden.

- Gebruik de acculader alleen op plekken met een temperatuur tussen 5 °C (41 °F) en 40 °C (104 °F). Gebruik de lader in een omgeving die goed geventileerd, droog en stofvrij is.
- Plaats geen voorwerpen in de luchtspleten van de acculader.
- Verbind de contacten van de acculader niet met metalen objecten, omdat dit kortsluiting in de acculader kan veroorzaken.
- Laad geen niet-oplaadbare accu's op in de acculader en gebruik deze ook niet in de machine.
- Gebruik goedgekeurde stopcontacten die niet beschadigd zijn.
- De gebruiker mag alleen de onderhouds- en servicewerkzaamheden uitvoeren die in deze bedieningshandleiding zijn beschreven. Ga naar uw servicedealer voor verdergaande service- of onderhoudswerkzaamheden.
- Reinig de accu of acculader nooit met water. Sterke reinigingsmiddelen kunnen schade aan het kunststof veroorzaken.
- Als u geen onderhoud uitvoert, verkort dit de levenscyclus van het product en vergroot het risico op ongevallen.
- Voor alle service en reparaties is speciale training vereist, vooral voor de veiligheidsvoorzieningen op het product. Als niet alle controles in deze bedieningshandleiding een goed resultaat geven nadat u onderhoud hebt uitgevoerd, ga dan naar uw servicedealer. Wij garanderen dat u daar professionele reparaties en service voor uw product krijgt.
- Gebruik alleen originele reserveonderdelen.

## Veiligheidsinstructies voor onderhoud



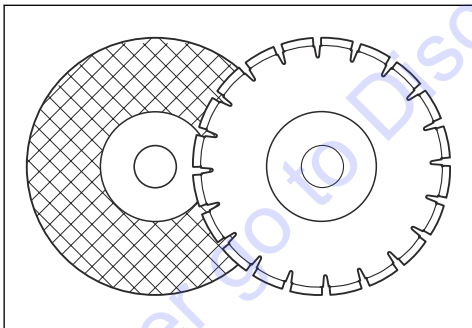
**WAARSCHUWING:** Lees de volgende waarschuwingen voordat u onderhoud aan het product gaat uitvoeren.

- Verwijder de accu voordat u onderhoud of andere controles uitvoert, of het product demonteert.

## Montage

### Geschikte zaagbladen

Zaagbladen voor Husqvarna K 535i zijn verkrijgbaar in twee basismodellen: droogzaagbladen en diamantbladen.



### Zaagbladen voor draagbare doorslijpmachines met hoge toerentallen



**WAARSCHUWING:** Gebruik alleen diamantzaagbladen en droogzaagbladen voor beton. Gebruik nooit getande bladen zoals bladen bedoeld voor het zagen van hout of hardmetalen bladen. Dit vergroot de kans op terugslag en het afbreken van tanden bij hoge toerentallen. Dit kan leiden tot letsel of de dood.



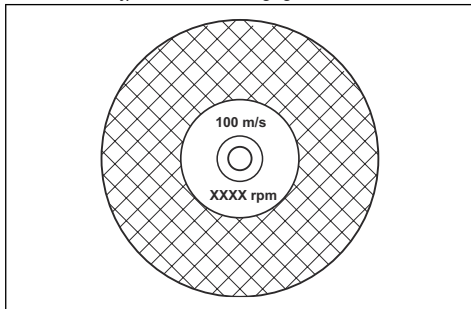
**WAARSCHUWING:** Incorrect gebruik kan leiden tot oververhitting van het blad. Een oververhit blad kan leiden tot storingen, wat kan resulteren in beschadiging en letsel.



**WAARSCHUWING:** Gebruik geen zaagblad met een lager maximumtoerental dan dat van de doorslijpmachine. Gebruik alleen zaagbladen die voldoen aan nationale of regionale normen.

**Let op:** Zaag alleen materialen die zijn goedgekeurd in de bij het blad meegeleverde instructie.

Het zaagblad moet gemerkt zijn met dezelfde of een hogere toerental aanduiding dan op het productplaatje van de doorslijpmachine is aangegeven.



## Vibratie in de zaagbladen



**OPGELET:** Als u het product met te veel kracht gebruikt, kan het blad oververhit raken, buigen en trillingen veroorzaken. Gebruik het product met minder kracht. Vervang het blad wanneer de trillingen aanhouden.

## Zaagbladen



**WAARSCHUWING:** Gebruik droogzaagbladen niet in combinatie met water. De sterkte van droogzaagbladen neemt af als ze worden blootgesteld aan vocht, waardoor het risico op breken groter wordt.

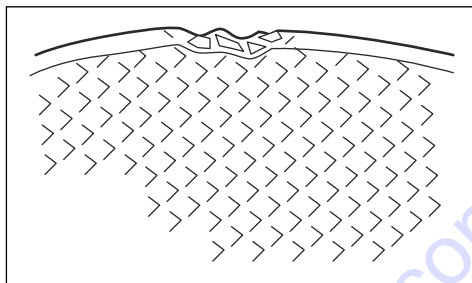


**OPGELET:** Bij gebruik van het Vac-hulpstuk is slijpen met een droogzaagblad niet toegestaan. Het gebruik van droogzaagbladen veroorzaakt overmatige slijtage van het Vac-hulpstuk.

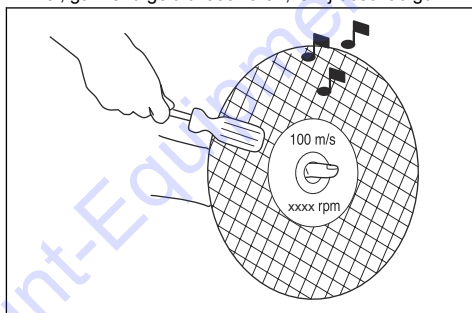


**OPGELET:** Gebruik geen schurende zaagbladen die dikker zijn dan de maximale aanbevolen dikte, zie *Technische gegevens op pagina 99*

- Gebruik geen versleten, versterkte snijwielen van grotere elektrische gereedschappen. Snijwielen bedoeld voor grotere elektrische gereedschappen zijn niet geschikt voor de hogere toerentallen van kleiner elektrisch gereedschap, en kunnen barsten bij gebruik in combinatie daarmee.
- Het snijdende materiaal in droogzaagbladen bestaat uit schuurkorrels die met organische bindmiddelen zijn samengevoegd. "Versterkte zaagbladen" zijn opgebouwd op een textiel- en vezelbasis, waardoor voorkomen wordt dat deze schijven door scheuren of beschadigingen bij een maximum toerental tijdens het werken volledig uit elkaar springen.
- De prestaties van een zaagblad worden bepaald door het type en de grootte van de slijpdeeltjes, alsmede door het type en de hardheid van het bindmiddel.
- Controleer of het zaagblad niet gescheurd of anderszins beschadigd is.



- Test het zaagblad door deze aan een vinger te hangen en er zacht met een schroevendraaiersteel of iets dergelijks op te slaan. Wanneer de schijf geen vol, galmend geluid laat horen, is hij beschadigd.



- Zorg dat u het juiste zaagblad gebruikt op het beoogde materiaal.

## Diamantzagen



**WAARSCHUWING:** Gebruik een diamantzaagblad nooit voor het zagen van kunststoffen. Door de warmte die tijdens het zagen wordt gegenereerd, kan het kunststof gaan smelten en aan het zaagblad blijven plakken en terugslag veroorzaken.

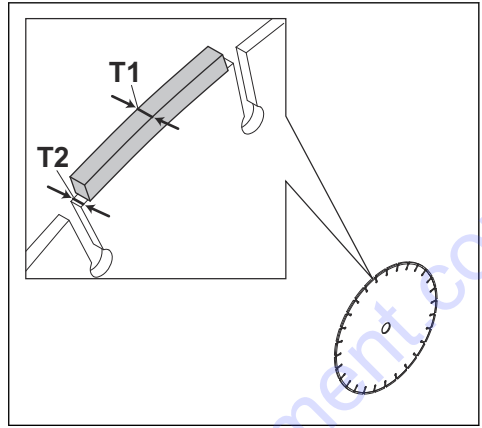
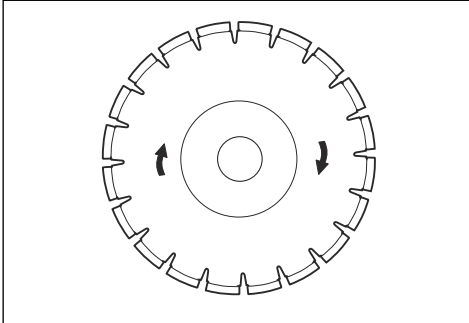


**WAARSCHUWING:** Diamantzaagbladen worden zeer heet tijdens het gebruik. Een oververhit zaagblad is het gevolg van een onjuist gebruik en kan vervorming van de schijf veroorzaken, wat weer kan leiden tot schade en letsel.

**Let op:** Scherp het zaagblad door in zacht materiaal zoals zandsteen te zagen.

- Gebruik altijd een scherpe diamantzaag.
- Diamantzagen kunnen bot worden bij een verkeerde voedingsdruk of het zagen van bepaalde materialen, zoals zwaar gewapend beton. Werken met een bot diamantzaagblad leidt tot oververhitting, wat ertoe kan leiden dat diamantsegmenten losraken.

- Diamantzaagbladen hebben een stalen blad voorzien van segmenten die industriële diamanten bevatten.
- Diamantzaagbladen zijn vooral geschikt voor metselwerk, beton en andere samengestelde materialen.
- Let er bij het gebruik van een diamantzaag op dat deze in de richting van de pijl op het zaagblad draait.



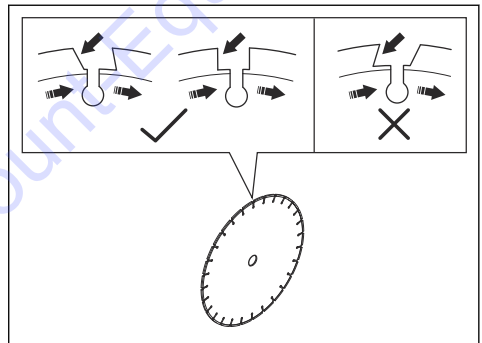
**OPGELET:** Gebruik geen diamantzaagbladen met positieve spaanhoeken.

## Nat zagen



**OPGELET:** Gebruik geen Vac-apparatuur in combinatie met het systeem voor nat zagen.

- Diamantzaagbladen voor natzagen moeten worden gebruikt in combinatie met het systeem voor natzagen.
- Water koelt het zaagblad en verlengt de levensduur ervan, terwijl het ook stofvorming vermindert.
- Zorg bij natzagen dat het restwater veilig wordt opgevangen.



**OPGELET:** Gebruik geen diamantzaagbladen met segmenten met een grotere opening dan max. 10 mm (A).

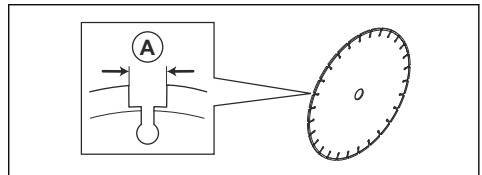
## Droog zagen

- Bij droogzagen trekt u het blad elke 30-60 seconden uit de zaagsnede en laat u dit 10 seconden in de lucht te laten draaien om af te koelen.
- Gebruik indien mogelijk Vac-apparatuur.

## Diamantzaagblad - vereisten



**WAARSCHUWING:** Zorg dat het diamantsegment (T1) breder is dan het blad (T2). Dit om beknelling in de sleuf en terugslag te voorkomen.



**OPGELET:** Gebruik geen diamantzaagbladen die dikker zijn dan die maximale aanbevolen dikte zie *Technische gegevens op pagina 99*.



**OPGELET:** Bepaalde zaagsituaties en bladen van slechte kwaliteit kunnen leiden tot overmatige slijtage aan de zijkant van de

segmenten. Vervang het zaagblad voordat het is versleten.

## Controleren van de spilas en de flensringen

Inspecteer de flensringen en de spindel as wanneer u het blad vervangt.



**OPGELET:** Gebruik alleen flensringen van Husqvarna met een minimumdiameter van 60 mm.

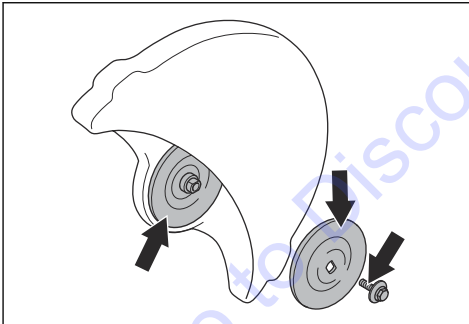


**OPGELET:** Gebruik geen beschadigde, defecte of vieze flensringen.



**OPGELET:** Gebruik geen flensringen met verschillende afmetingen.

- Controleer de schroefdraad op de spil as op beschadiging.
- Controleer of de vlakken van het blad en de flensringen onbeschadigd, van het juiste formaat en schoon zijn, en of ze goed op de spil as lopen.

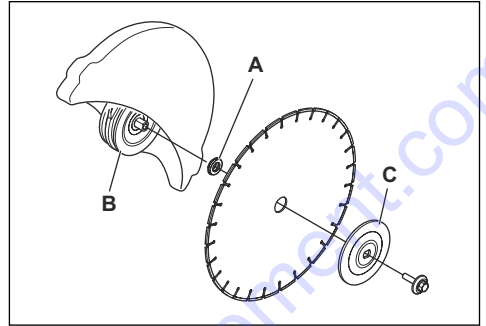


## De spilbus controleren

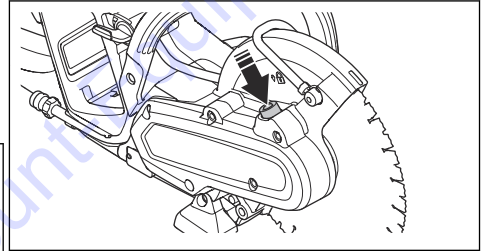
- Gebruik alleen spilbussen van Husqvarna.
- Zorg dat de spilbus de correcte afmeting heeft voor het zaagblad. De correcte afmeting staat vermeld op het zaagblad.

## Het zaagblad monteren

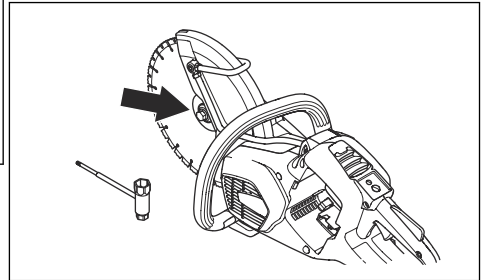
1. Het zaagblad wordt op bus (A) gezet tussen de binnenste flensring (B) en de flensring (C). De flensring wordt gedraaid om deze op de as te bevestigen.



2. Vergrendel de steel.



3. Draai de bout vast. Het aanhaalmoment voor de bout van het zaagblad is 30 Nm (18,5 ft-lbs).



## Het blad en de bladbeschermkap controleren



**WAARSCHUWING:** Een beschadigd zaagblad kan letsel veroorzaken.

1. Controleer of het zaagblad correct is gemonteerd en geen gebreken vertoont.
2. Controleer of de bladbeschermkap scheuren heeft of beschadigd is.

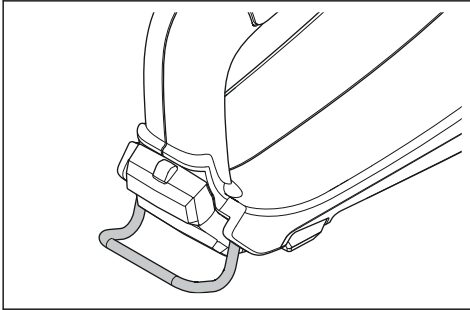


3. Vervang de bladbeschermkap als deze beschadigd is. Zie *Het zaagblad monteren op pagina 89*

## Kabeloog

Het product is voorzien van een kabeloog. Het kabeloog kan worden gebruikt voor het heffen en neerlaten van het product. Bevestig een geschikte strop aan het kabeloog om deze te kunnen gebruiken voor heffen en neerlaten.

Het kabeloog kan worden gebruikt voor het bevestigen van het product op een vast voorwerp om te voorkomen dat het valt en personen of uitrusting beschadigd raken.



---

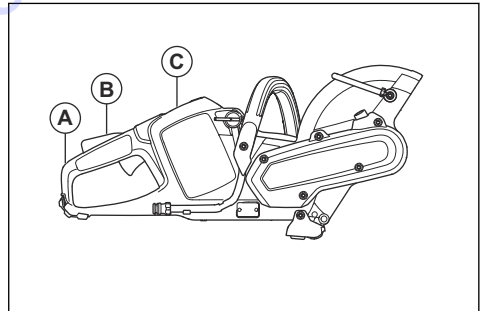
## Werking

---

### De werking controleren voordat u het product gebruikt

1. Controleer of de rechterhandbescherming achter (A) niet beschadigd is.
2. Controleer de vergrendeling van de activeringsschakelaar (B) om ervoor te zorgen dat deze juist functioneert en niet is beschadigd.
3. Controleer het toetsenbord (C) om ervoor te zorgen dat het juist werkt.
4. Controleer of alle onderdelen en beschermkappen correct zijn aangebracht en niet beschadigd zijn of ontbreken.
5. Laad de accu op en controleer of deze correct is bevestigd aan het product.

6. Zorg dat de doorslijpmachine stopt wanneer u de activeringsschakelaar loslaat.



### Aansluiten van acculader

1. Sluit de acculader alleen aan als de spanning en frequentie overeenkomen met de specificaties op het productplaatje.
2. Steek de stekker in een geaard stopcontact. De LED op de acculader licht eenmaal groen op.

---

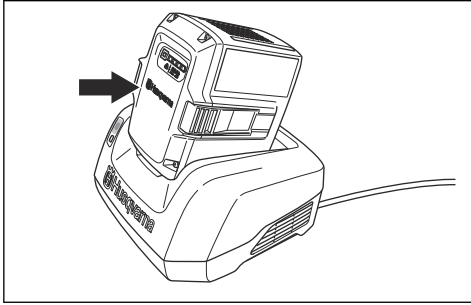
**Let op:** De accu wordt niet opgeladen als de accutemperatuur hoger is dan 50 °C/122 °F. Als de temperatuur hoger is dan 50 °C/122 °F, zal de acculader de accu afkoelen voordat de accu wordt opgeladen.

---

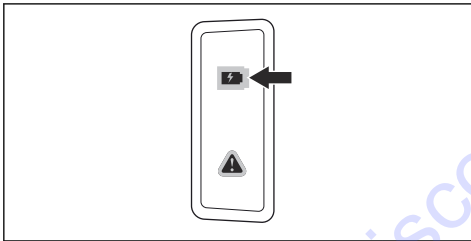
## De accu aansluiten op de acculader

**Let op:** Laad de accu op als u deze voor de eerste keer gebruikt. Een nieuwe accu is slechts 30% opgeladen.

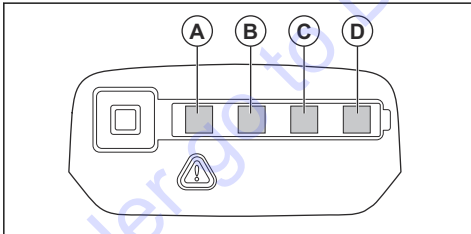
1. Zorg ervoor dat de accu droog is.
2. Plaats de accu in de acculader.



3. Zorg ervoor dat het groene laadlampje op de acculader gaat branden. Dat betekent dat de accu goed is aangesloten op de acculader.



4. Wanneer alle LED's op de accu branden, is de accu volledig opgeladen.

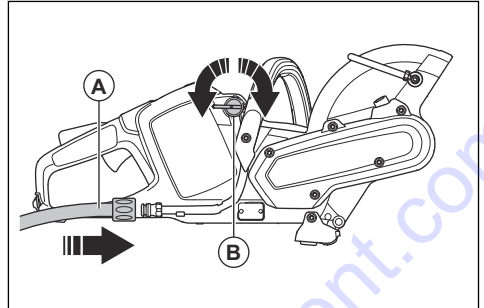


5. Trek aan de stekker om de acculader uit de wandcontactdoos te halen. Trek niet aan de kabel.
6. Haal de accu uit de acculader.

**Let op:** Raadpleeg de handleidingen van de accu en de acculader voor meer informatie.

## Aansluiten van koelwater

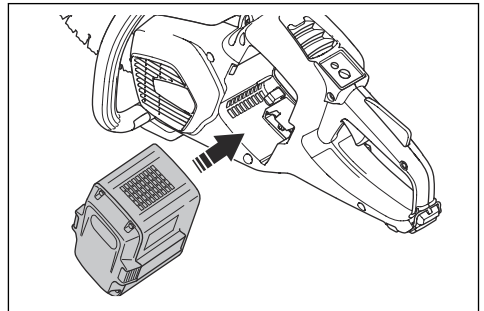
1. Sluit de waterslang aan op de watertoevoer (A).



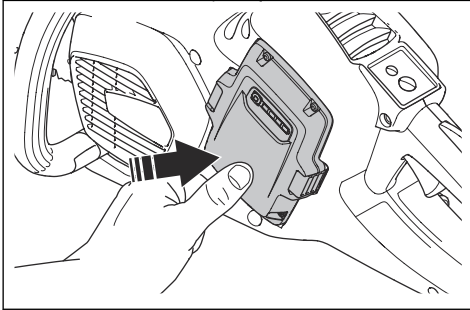
2. Draai aan de kraan (B) om de kraan te openen en sluiten.
3. Controleer of er lekkage optreedt in de wateraansluiting of de slang.
4. Zorg ervoor dat de waterdruk niet hoger is dan de maximaal toegestane waterdruk, zie *Technische gegevens*.

## Product starten

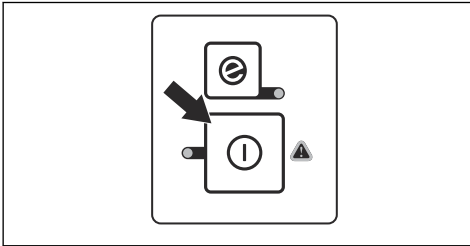
1. Controleer de activeringsschakelaar en de vergrendeling van de activeringsschakelaar. Zie *De vergrendeling van de activeringsschakelaar controleren op pagina 96*.
2. Plaats de accu in de accuhouder.



3. Druk op het onderste gedeelte van de accu totdat u een klik hoort. De accu moet zonder veel moeite in de accuhouder klikken, anders is deze niet goed geplaatst.

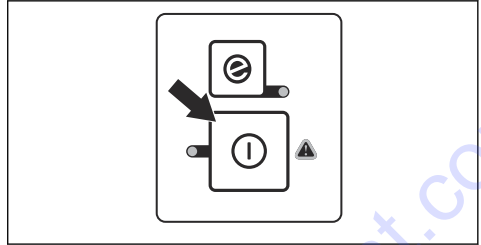


4. Houd de start-/stopknop ingedrukt totdat de groene LED gaat branden.

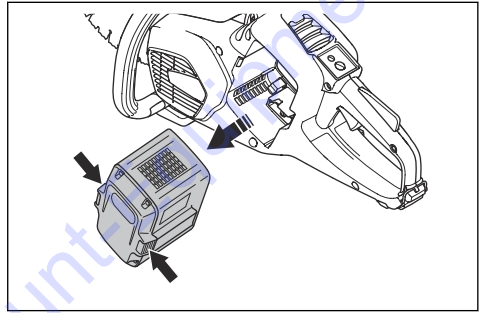


## Product stoppen

1. Houd de start/stop-knop op het toetsenbord ingedrukt totdat de groene led uit gaat.



2. Druk op de accu-ontgrendelknoppen en verwijder de accu uit de accuhouder.

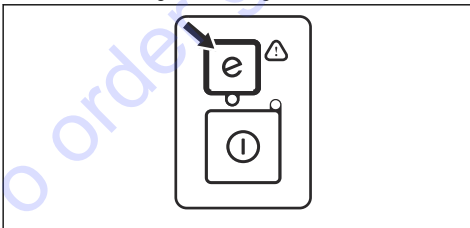


## De functie SavE gebruiken

Dit product heeft een accubesparingsfunctie (SavE). De SavE-functie beperkt het toerenal van het blad en zorgt voor de langste bedrijfstijd van de accu.

**Let op:** De SavE-functie zorgt niet voor een lagere zaagkracht van het product.

1. Druk op de SavE-knop op het toetsenblok.
2. Controleer of de groene LED gaat branden.
3. Druk nogmaals op de knop SavE om de functie uit te schakelen. De groene LED gaat uit.



**WAARSCHUWING:** Verwijder de accu wanneer u het product niet gebruikt of als u geen volledig zicht op het product hebt. Hiermee voorkomt u dat het product onbedoeld wordt gestart.

## Basistechniek



**WAARSCHUWING:** Beweeg de doorslijpmachine niet opzij. Dit kan de vrije beweging van het blad voorkomen en leiden tot breken van het blad en letsel.

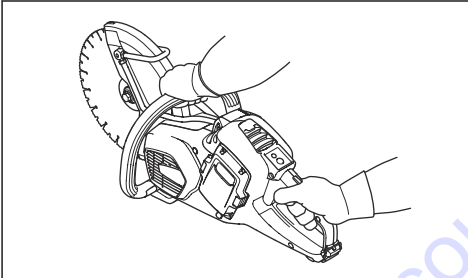


**WAARSCHUWING:** Gebruik de zijkant van het blad niet. Het blad kan beschadigd en gebroken raken, wat kan leiden tot letsel. Gebruik alleen de zaagkant.

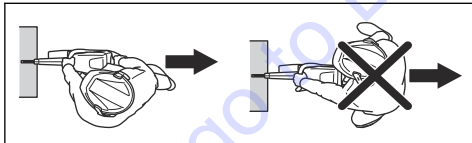


**WAARSCHUWING:** Gebruik een diamantzaagblad nooit voor het zagen van kunststoffen. Door de warmte die tijdens het zagen wordt gegenereerd, kan het kunststof smelten. Gesmolten kunststof kan aan het zaagblad blijven plakken en terugslag veroorzaken.

- Het product is gemaakt voor diamantzaagbladen met een hoge zaagsnelheid die zijn goedgekeurd voor handbediende doorslijpmachines.
- Het product is gemaakt voor het zagen van tegels, licht beton en steen. Gebruik het product alleen voor deze werkzaamheden.
- Controleer of het zaagblad geen tekenen vertoont van beschadiging en of het correct is bevestigd (zie *Zaagbladen op pagina 87* en *Het zaagblad monteren op pagina 89*).
- Gebruik het correcte zaagblad voor de gewenste werkzaamheden (zie *Zaagbladen voor draagbare doorslijpmachines met hoge toerentallen op pagina 86*).
- Zaag nooit asbestmaterialen.
- Houd de doorslijpmachine altijd met 2 handen vast. Houd het product stevig vast met duimen en vingers rond de hendels. Houd de achterhandgreep vast met uw rechterhand en de voorhandgreep met uw linkerhand.

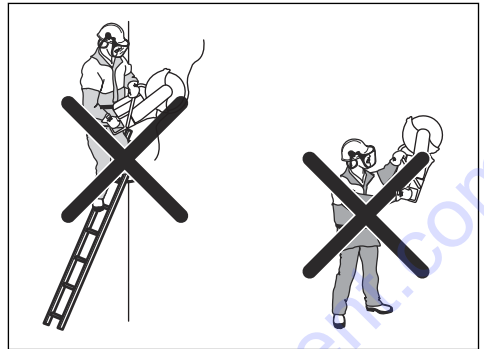


- Ga altijd parallel aan het zaagblad staan. Ga niet in een rechte lijn achter het zaagblad staan. In het geval van terugslag zal de doorslijpmachine in het horizontale vlak van het zaagblad bewegen.

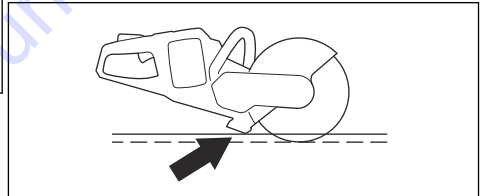


- Houd afstand tot het zaagblad wanneer de motor draait.
- Zorg dat u stabiel staat tijdens de bediening.
- Houd voldoende afstand van het zaagvoorwerp.
- Zaag nooit boven schouderhoogte. Gebruik een platform of een steiger als u boven schouderhoogte moet werken. Voorkom overstrekken.

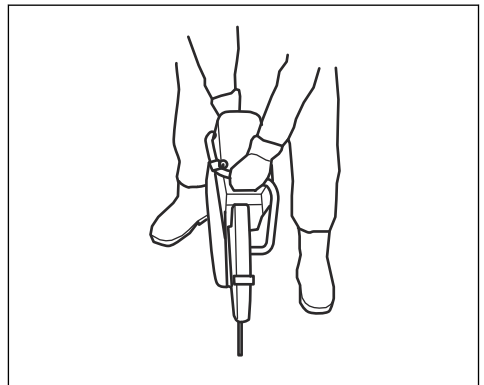
- Bedien het product niet op een ladder.



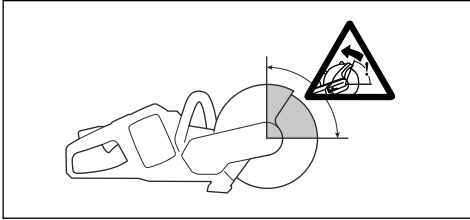
- Zorg dat het zaagblad vrij is wanneer de motor wordt gestart.
- Houd het product altijd in de gaten wanneer de motor draait.
- Beweeg het product niet wanneer het zaagblad draait. Het product heeft een elektrische vertrager om de stoptijd van het blad te reduceren.
- Zorg dat de voorste grondsteen gelijk ligt met de achterzijde van het werkstuk. De bladbeschermkap verzamelt rondvliegend zaagsel en stof en houdt dit uit de buurt van de gebruiker.



- Zaag met vol gas. Laat het product op vol vermogen draaien tot de zaagwerkzaamheden zijn voltooid.
- Druk het zaagblad lichtjes tegen het zaagvoorwerp. Gebruik geen kracht.
- Plaats het zaagblad in één lijn met de zaagsnede.



- Beweeg het zaagblad langzaam naar voren en naar achteren om de ruimte tussen het zaagblad en het materiaal kleiner te maken. Op deze manier wordt de temperatuur van het zaagblad verlaagd.



- Zaag niet met de terugslagrisicosector van het blad (zie *Terugslag op pagina 94*).

## Terugslag



**WAARSCHUWING:** Een terugslag treedt plotseling op en kan erg gevaarlijk zijn. Het product kan in een draaiende beweging omhoog en naar achteren worden bewogen in de richting van de gebruiker. Terugslag kan mogelijk leiden tot letsel of de dood. U dient inzicht te hebben in de oorzaken van terugslag en hoe u terugslag kunt voorkomen voordat u het product gaat gebruiken.

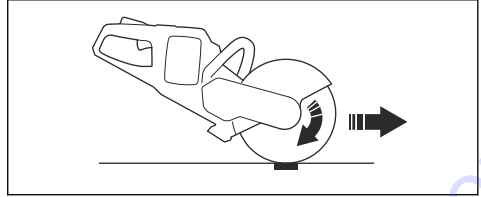
Terugslag treedt op wanneer het blad bekneld raakt in de terugslagrisicosector. Dit is normaal gesproken niet gevaarlijk, maar een sterke terugslag kan leiden tot letsel of de dood.



### Reactieve kracht

- Een reactieve kracht trekt het product in tegengestelde richting ten opzichte van de bladbeweging. Meestal is deze kracht verwaarloosbaar. Als het blad bekneld is geraakt,

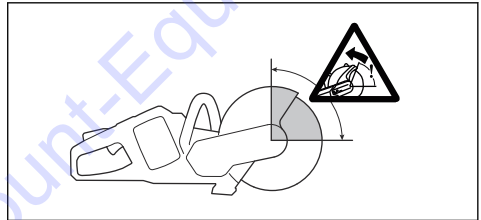
kan de sterkte van de reactieve kracht terugslag veroorzaken.



- Kantel het product niet terwijl de zaaguitrusting draait. Centrifugale krachten kunnen de beweging doen afnemen.

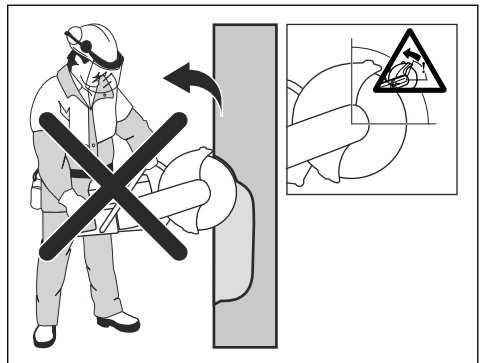
### Terugslagrisicosector

- Zaag niet met de terugslagrisicosector van het zaagblad. Als het zaagblad bekneld is geraakt in de terugslagrisicosector, wordt het product door de reactieve kracht omhoog en terug gedraaid. Het zaagblad kan de gebruiker raken, wat kan leiden tot letsel of de dood.



### Terugslag door "klimmen"

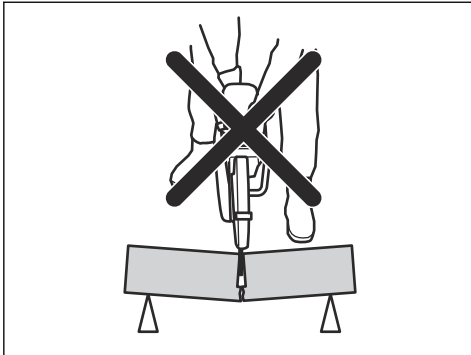
- Gebruik de terugslagrisicosector van het zaagblad niet. Als de terugslagrisicosector wordt gebruikt om te zagen, zal het zaagblad in de zaagsnede "klimmen" als gevolg van de reactieve kracht. Gebruik het onderste deel van het zaagblad om terugslag door "klimmen" te voorkomen.



### Terugslag door vastslaan

- Een zaagblad raakt bekneld wanneer de zaagsnede wordt gesloten en het draaien van het blad wordt

onderbroken. Als het blad bekneld is geraakt, kan de sterkte van de reactieve kracht terugslag veroorzaken.



- Zorg dat het werkstuk op de plaats wordt gehouden om de zaagsnede geopend te houden tijdens het zagen. Maak een schatting van de mogelijke beweging van het werkstuk tijdens de laatste zaagfase. Zorg dat de zaagsnede wordt geopend tijdens het zagen. Een zaagsnede die wordt gesloten, kan terugslag door beknelling veroorzaken.

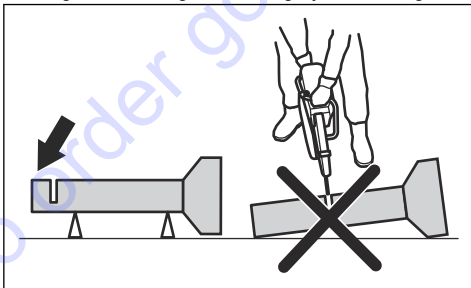
## Zagen in leidingen



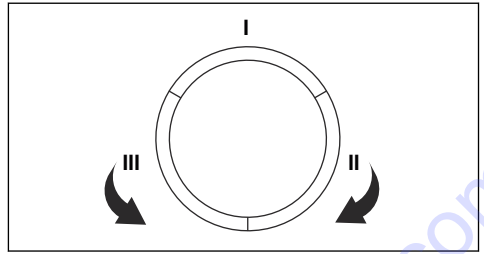
**WAARSCHUWING:** Als het zaagblad bekneld raakt in de terugslagrisicosector, zal dat een terugslag veroorzaken.

Wees voorzichtig bij het zagen in leidingen. De leiding moet correct op de plaats worden gehouden en de zaagsnede moet geopend blijven tijdens het zagen. Gebeurt dit niet, dan kan het blad bekneld raken. Wees extra alert bij het zagen van een leiding met klokvormig uiteinde of een leiding die in een sleuf ligt. Als deze onvoldoende wordt ondersteund, kan het zaagblad bekneld raken.

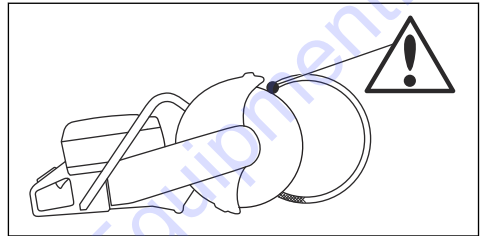
1. Zorg dat de leiding niet beweegt tijdens het zagen.



2. Zaag met sectie "I".



3. Zorg dat de snede opent om beknelling te voorkomen.



4. Ga naar zijde II en maak een snede vanaf sectie I tot aan de onderkant van de leiding.
5. Ga naar zijde III en zaag de rest van de leiding af.
6. Zorg dat de leiding correct op zijn plaats blijft zitten. Het uiteinde van de leiding moet omlaag bewegen tijdens het zagen.

## Voorkomen van beknelling



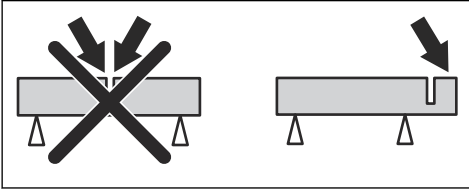
**WAARSCHUWING:** De zaagsnede mag niet worden gesloten tijdens het zagen. Een zaagsnede die wordt gesloten kan beknelling veroorzaken, wat kan leiden tot een terugslag of beschadiging van het zaagblad.



**WAARSCHUWING:** Wees voorzichtig bij het plaatsen van een zaagblad in een oude zaagsnede.

- Zorg dat het werkstuk niet kan bewegen tijdens het zagen.
- Zorg dat het werkstuk op de plaats wordt gehouden om de zaagsnede geopend te houden tijdens het zagen.
- Maak een schatting van de mogelijke beweging van het werkstuk tijdens de laatste zaagfase.

- Zorg dat de zaagsnede wordt geopend tijdens het zagen.



natzagen. Zie de instructies in *Aansluiten van koelwater op pagina 91*. De correcte stroom varieert voor verschillende soorten taken. Als de waterslang losraakt bij de toevoerbron, kan de geleverde waterdruk te hoog zijn. Zie *Technische gegevens op pagina 99* voor de aanbevolen waterdruk.

- Stel de waterstroom af met de klep.

## Stofbeheersing

- Het product is voorzien van een waterset met een zachte waterstraal. Gebruik indien mogelijk

## Onderhoud

### Inleiding



**WAARSCHUWING:** Zorg dat u het hoofdstuk over veiligheid hebt gelezen en begrepen voordat u onderhoudswerkzaamheden aan het product gaat uitvoeren.



**WAARSCHUWING:** Verwijder de accu voordat u onderhoud aan het product uitvoert.

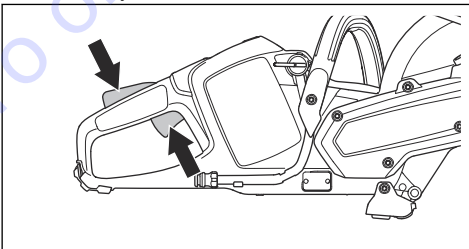


**WAARSCHUWING:** Als u niet regelmatig onderhoud uitvoert, neemt de levensduur van het product af en neemt het risico op ongevallen toe. Alle onderhouds- en/of reparatiewerkzaamheden moeten door een professional worden uitgevoerd. Neem voor meer informatie contact op met uw dealer.

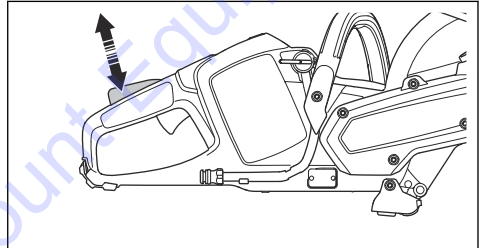
## De veiligheidsvoorzieningen op het product onderhouden en controleren

### De vergrendeling van de activeringsschakelaar controleren

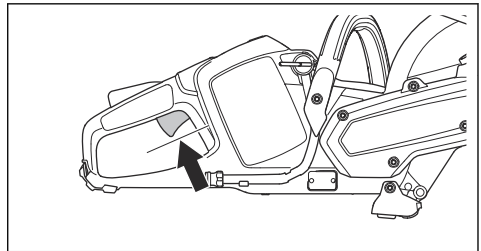
1. Zorg ervoor dat de activeringsschakelaar en de vergrendeling vrij kunnen bewegen en dat de retourveer juist werkt.



2. Druk op de vergrendeling van de activeringsschakelaar en controleer of deze terugkeert naar de oorspronkelijke stand wanneer u hem loslaat.



3. Controleer of de activeringsschakelaar in de stationaire stand is vergrendeld wanneer de vergrendeling wordt losgelaten.

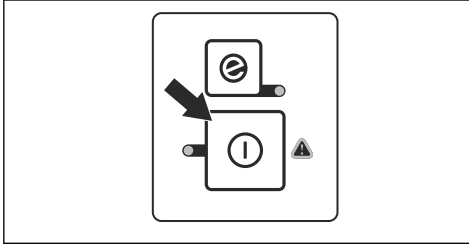


4. Start het product en laat het op vol vermogen werken.
5. Laat de activeringsschakelaar los en zorg ervoor dat het zaagblad stopt. Als het zaagblad draait terwijl de activeringsschakelaar in de stationaire stand staat, neem dan contact op met uw servicedealer.

### Toetsenbord controleren

1. Start het product. Zie *De vergrendeling van de activeringsschakelaar controleren op pagina 96*
2. Druk nogmaals op de start/stopknop.

3. Het product moet stoppen wanneer u deze knop ingedrukt houdt. De groene LED zal worden uitgeschakeld.



## Accu en acculader reinigen

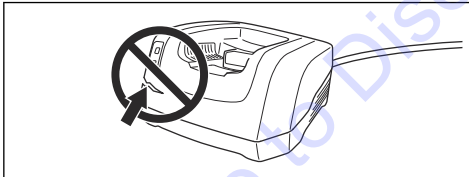


**OPGELET:** Reinig de accu of acculader nooit met water.

- Zorg ervoor dat de accu en de acculader schoon en droog zijn voordat u de accu in de acculader plaatst.
- Reinig de accupolen met perslucht of gebruik een zachte en droge doek.
- Reinig de oppervlakken van de accu en de acculader met een zachte en droge doek.

## Het laadniveau van de accu controleren

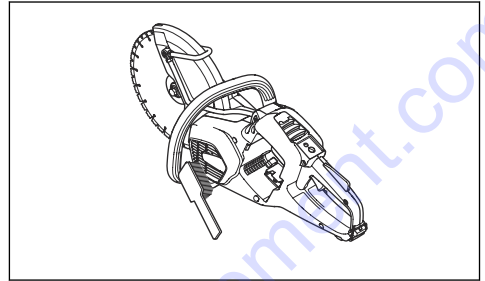
1. Controleer of de acculader en voedingskabel niet zijn beschadigd. Controleer op scheuren en andere gebreken.



## Koelsysteem reinigen

Het product heeft een koelsysteem om de temperatuur zo laag mogelijk te houden.

Het koelsysteem is voorzien van een luchtinlaat aan de linkerkzijde van het product en een ventilator op de motor.



1. Reinig het koelsysteem één keer per week met een borstel, of vaker indien nodig.
2. Zorg ervoor dat het koelsysteem niet vuil is of verstopt.



**OPGELET:** Een vuil of verstopt koelsysteem kan leiden tot oververhitting van het product.

## Onderhoudsschema



**WAARSCHUWING:** Verwijder de accu voordat u onderhoud uitvoert.

Hieronder volgt een lijst van het onderhoud dat u aan het product moet uitvoeren.

Onderhoud	Vóór gebruik	Weke-lijks	Maande-lijks
Reinig de externe onderdelen van het product.	X		
Controleer of de voedingschakelaar en de vergrendeling van de voedingschakelaar correct werken vanuit veiligheidsoogpunt.	X		
Controleer het zaagblad. Let op scheuren en zorg dat het zaagblad niet overmatig versleten is. Vervang indien nodig.	X		
Reinig de ventilatorbehuizing van het product.	X		
Controleer of de schroeven en moeren goed zijn vastgedraaid.	X		
Controleer of het toetsenblok correct werkt en niet beschadigd is.	X		
Controleer de verbindingen tussen de accu en het product. Controleer de verbinding tussen de accu en de acculader.			X



Onderhoud	Vóór ge- bruik	Weke- lijks	Maande- lijks
Blaas voorzichtig perslucht door het product en de accu.			X

## Probleemoplossing

### Toetsenbord

Probleem	Oorzaak	Oplossing
Waarschuwing- slampje knip- pert.	Temperatuuraf- wijking.	Laat het product afkoelen.
	Overbelasting. De snijuitrust- ing is verstopt.	Reinig de snijuitrusting.
	De activerings- schakelaar en de startknop worden tegelij- kertijd inge- drukt.	Laat de activeringsschakelaar los.
Groen lampje knippert.	Lage accu- spanning.	Laad de accu op.
Het waarschu- wingslampje brandt.	Service.	Neem contact op met uw servicedealer.

### Accu

Probleem	Oorzaak	Oplossing
Waarschuwing- slampje knip- pert.	De accu is niet opgeladen.	Laad de accu op.
	Temperatuuraf- wijking.	Gebruik de accu in een omgeving met temperaturen tussen -10 °C (14 °F) en 40 °C (104 °F).
	Te hoge span- ning.	Controleer of de accuspanning overeenkomt met de spanning die is aangegeven op het productplaatje op het product. Haal de accu uit de acculader.
Het waarschu- wingslampje brandt.	Het accuvelver- schil is te groot (1 V).	Neem contact op met uw servicedealer.

### Acculader

Probleem	Oorzaak	Oplossing
Waarschuwing- slampje knippert.	Temperatuurafwijking.	Gebruik de accu in een omgeving met temperaturen tussen 5 °C (41 °F) en 40 °C (104 °F).
Het waarschuwing- slampje brandt.		Neem contact op met uw service- dealer.

# Vervoer, opslag en verwerking

## Transport en opslag

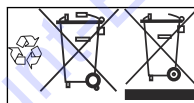
- De meegeleverde Li-ion-accu's voldoen aan de wettelijke vereisten voor gevaarlijke goederen.
- Neem de bijzondere voorschriften op de verpakking en labels voor commercieel transport in acht. Dit geldt ook voor derden en expediteurs.
- Neem contact op met een persoon die gespecialiseerd is op het gebied van gevaarlijke stoffen voordat u het product verzendt. Neem alle van toepassing zijnde nationale voorschriften in acht.
- Breng tape aan op blootliggende aansluitingen wanneer u de accu in een pakket plaatst. Plaats de accu strak in het pakket om beweging te voorkomen.
- Verwijder de accu bij opslag of vervoer.
- Plaats de accu en de acculader in een droge, vocht- en vorstvrije ruimte.
- Bewaar de accu niet op plaatsen waar statische elektriciteit aanwezig is. Bewaar de accu niet in een metalen doos.
- Bewaar de accu op een plaats met een temperatuur tussen 5 °C (41 °F) en 25 °C (77 °F) en niet in direct zonlicht.
- Bewaar de acculader op een plaats met een temperatuur tussen 5 °C (41 °F) en 45 °C (113 °F) en niet in direct zonlicht.
- Laad de accu op tussen de 30% en 50% voorafgaand aan langdurige opslag.
- Berg de acculader op in een ruimte die afgesloten en droog is.

- Bewaar de accu niet in de buurt van de acculader. Laat kinderen en andere onbevoegde personen niet aan de apparatuur komen. Bewaar de apparatuur in een ruimte die u kunt afsluiten.
- Reinig het product en voer een volledige onderhoudsbeurt uit voordat u het product voor langere tijd opslaat.
- Gebruik de transportbescherming op het product om letsel bij personen of schade aan het product tijdens vervoer en opslag te voorkomen.
- Bevestig het product stevig tijdens vervoer.

## Accu, acculader en product afvoeren

Het onderstaande symbool betekent dat het product geen huishoudelijk afval is. Lever het in bij een recyclepunt voor elektrische en elektronische apparatuur. Dit voorkomt vervuiling van het milieu en letsel bij personen.

Neem contact op met de lokale autoriteiten, het afvalverwerkingsbedrijf of uw dealer voor meer informatie.



**Let op:** Het symbool staat op het product of op de verpakking van het product.

## Technische gegevens

### Technische gegevens

Husqvarna K 535i		
Spanning		36V
Gewicht kg (lbs)		3,5 (7,7)
Diameter blad, mm (inch)		230 (9)
Max. bladdikte, mm (inch)	Zaagbladen	3,0 (0,1)
	Diamantzagen	1,8 (0,07)
Toerental		5940 tpm
<b>Waterkoeling</b>		
Waterkoeling van schijf		Ja
Verbindingsnippel		Type 'Gardena'
Aanbevolen waterdruk, bar (psi)		0,5 - 6 (7,3 - 87)

<b>Husqvarna K 535i</b>				
Maximale waterdruk, bar (psi)				6 (87)
	<b>Trillingsniveaus, <math>a_{hveq}^1</math></b>		<b>Geluidsemissies<sup>2</sup></b>	
	Voor/links	Rechtsachter	LpA	LwA
	m/s <sup>2</sup>	m/s <sup>2</sup>	dB(A)	dB(A)
BLi200	1,9	2,3		
BLi300	2.1	2.5	100,5	111,5

<sup>1</sup> De opgegeven totale trillingswaarde is gemeten overeenkomstig EN 60745-2-22 en kan worden gebruikt om gereedschappen onderling te vergelijken. De opgegeven totale trillingswaarde kan ook worden gebruikt voor een voorlopige beoordeling van de blootstelling.

<sup>2</sup> Geluidsemissies worden gemeten in overeenstemming met EN 60745-2-22.

- De onzekerheid voor het A-gewogen geluidsvermogeniveau  $K_{pA}$  is 3 dB(A).
- De onzekerheid voor het A-gewogen geluidsdrukniveau  $K_{pA}$  is 3 dB(A).

---

## Accessoires

---

### Goedgekeurde accu's voor het product

<b>Accu</b>	<b>BLi200</b>	<b>BLi300</b>
Type	Lithium-ion	Lithium-ion
Accucapaciteit, Ah	5,2	9,4
Nominale spanning, V	36	36
Gewicht, kg/lb	1,3 / 2,9	1,9 / 4,2

### Goedgekeurde acculaders voor het product

<b>Acculader</b>	<b>QC330</b>
Netspanning, V	100-240
Frequentie, Hz	50-60
Vermogen, W	330

**TO PURCHASE THIS PRODUCT PLEASE CONTACT US**



**Equipment Financing and  
Extended Warranties Available**



**Discount-Equipment.com is your online resource for  
commercial and industrial quality parts and equipment sales.**

**561-964-4949**

**visit us on line @ [www.discount-equipment.com](http://www.discount-equipment.com)**

Select an option below to find your Equipment

**Search by Manufacturer**

**Search by Product Type**

**Request a Quote**

We sell worldwide for the brands: Genie, Terex, JLG, MultiQuip, Mikasa, Essick, Whiteman, Mayco, Toro Stone, Diamond Products, Generac Magnum, Airman, Haulotte, Barreto, Power Blanket, Nifty Lift, Atlas Copco, Chicago Pneumatic, Allmand, Miller Curber, Skyjack, Lull, Skytrak, Tsurumi, Husquvarna Target, Stow, Wacker, Sakai, Mi-T-M, Sullair, Basic, Dynapac, MBW, Weber, Bartell, Bennar Newman, Haulotte, Ditch Runner, Menegotti, Morrison, Contec, Buddy, Crown, Edco, Wyco, Bomag, Laymor, EZ Trench, Bil-Jax, F.S. Curtis, Gehl Pavers, Heli, Honda, ICS/PowerGrit, IHI, Partner, Imer, Clipper, MMD, Koshin, Rice, CH&E, General Equipment, Amida, Coleman, NAC, Gradall, Square Shooter, Kent, Stanley, Tamco, Toku, Hatz, Kohler, Robin, Wisconsin, Northrock, Oztec, Toker TK, Rol-Air, APT, Wylie, Ingersoll Rand / Doosan, Innovatech, Con X, Ammann, Mecalac, Makinex, Smith Surface Prep, Small Line, Wanco, Yanmar