



**Upcut Action That's Perfect for Cleaning Out Joints!**

**14" Blade Capacity**

**Push Drive**

**Features & Benefits**

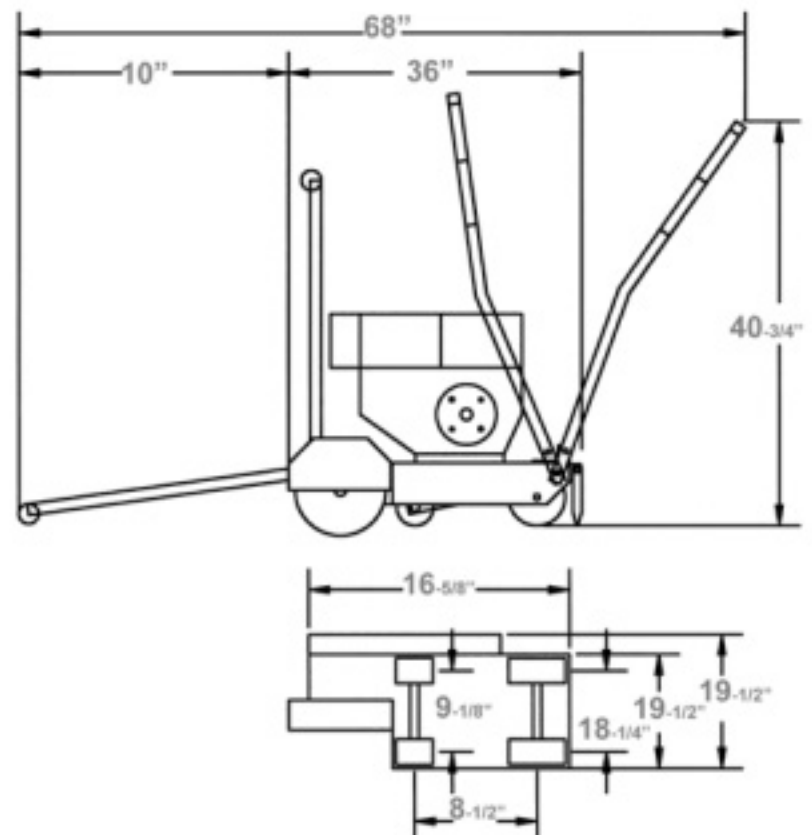
- Heavy duty with adjustable handles
- Upcut or downcut available
- 1" arbor size with drive pin
- Compact size for easy transporting

**Specifications**

Maximum depth of cut with 14" blade:	4-5/8"
Blade shaft RPM:	2,650
Blade shaft diameter:	1"
Arbor size:	1"
Front Wheels:	3" x 2" x 3/4"
Rear Wheels:	8" x 2" x 3/4"

**CC1100XL JOINT CLEANING MINI SAW**

Model #	Engine Make	Engine Power	Power Source	Part #	Cat #	Blade Capacity	Product Weight (lbs)
CC1111HXL-14	Honda GX390 - Downcut	11.7 HP, 19.5 Torque (lbs.-ft.)	Gas	5801015	04648	14"	185
CC1111HUXL-14	Honda GX390 - Upcut	11.7 HP, 19.5 Torque (lbs.-ft.)	Gas	5801020	08366	14"	215



**Sawing**

Horsepower and Torque as rated by the engine manufacturer.