

EXTREME DUTY BUDDY Mortar Mixer



Model: EXD1300



EXTREME DUTY BUDDY MIXER PARTS MANUAL

America's Fastest & Strongest Mortar Mixers

4541-3 St. Augustine Rd. • Jacksonville, FL 32207
Office / Warehouse 888-823-8819 • 904-398-3133
Fax: 800-548-1333 • 904-398-6820
www.buddyequipment.com



BUDDY EQUIPMENT, INC.
AMERICA'S FASTEST & STRONGEST MORTAR MIXERS.

LIMITED WARRANTY 4

FOREWORD / WARRANTY INFORMATION 5

PARTS LIST & EXPLODED DIAGRAMS 7-39

Hardware Key 8

Torque Charts--Imperial/Metric..... 9

Frame / Cowl Assembly 10-11

Drum / Drum Guard / Guard Lifter Assembly 12-13

Paddle Shaft / Paddle Assembly..... 14-15

Paddle Kits 16-17

Seals, Bearings Assembly 18-19

Engine Gas / Inner Guard Assembly 20-21

Drive Components Gas Assembly 22-23

3 HP Electric Motor / Inner Guard / Starter Box Assembly 24-25

3 HP Electric Drive Components Assembly 26-27

Axle Asssembly 28-29

Clutch Assembly..... 30-31

Wiring Schematic 3hp 230V 1PH 32-33

Decal Identification 34-39

California Proposition 65 IBC

TABLE OF CONTENTS

**EXTREME DUTY
BUDDY
MORTAR MIXER**

LIMITED WARRANTY

The Manufacturer warrants that products manufactured shall be free from defects in material and workmanship that develop under normal use for a period of 1-year for products from the date of shipment. The foregoing shall be the exclusive remedy of the buyer and the exclusive liability of the Manufacturer. Our warranty excludes normal replaceable wear items, i.e. gaskets, wear plates, seals, O-rings, V-belts, drive chains, clutches, etc. Any equipment, part or product which is furnished by the Manufacturer but manufactured by another, bears only the warranty given by such other manufacturer. The Manufacturer extends the warranty period to 2-years on the drum, "Lifetime" for the drum bearings and seals for the mortar mixers, and agrees to furnish, free of charge, the bearings and seals only upon receipt of the defective parts. A Warranty Evaluation Form must accompany all defective parts. Warranty is voided by product abuse, alterations, and use of equipment in applications for which it was not intended, use of non-manufacturer parts, or failure to follow documented service instructions. The foregoing warranty is exclusive of all other warranties whether written or oral, expressed or implied. No warranty of merchantability or fitness for a particular purpose shall apply. The agents, dealer and employees of Manufacturer are not authorized to make modification to this warranty, or additional warranties binding on Manufacturer. Therefore, additional statements, whether oral or written, do not constitute warranty and should not be relied upon.

The Manufacturer's sole responsibility for any breach of the foregoing provision of this contract, with respect to any product or part not conforming to the Warranty or the description herein contained, is at its option (a) to repair, replace or refund such product or parts upon the prepaid return thereof to location designated specifically by the Manufacturer. Product returns not shipped prepaid or on an economical transportation basis will be refused (b) as an alternative to the foregoing modes of settlement - the Manufacturer's dealer to repair defective units with reimbursement for expenses, except labor, and be reviewed with the Manufacturer prior to repair. A Warranty Evaluation Form must accompany all warranty claims.

Except as set forth hereinabove and without limitation of the above, there are no warranties or other affirmations which extends beyond the description of the products and the fact hereof, or as to operational efficiency, product reliability or maintainability or compatibility with products furnished by others. In no event whether as a result of breach of contract or warranty or alleged negligence, shall the Manufacturer be liable for special or consequential damages including but not limited to: Loss of profits or revenues, loss of use of the product or any associated product, cost of capital, cost of substitute products, facilities or services or claims of customers.

No claim will be allowed for products lost or damaged in transit. Such claims should be filed with the carrier within fifteen days.

Effective October 2006.

Buddy Equipment, Inc.
4541-3 St. Augustine Rd.
Jacksonville, FL 32207
Local: (904) 398-3133 or 888-823-8819
Fax: 800-548-1333

These instructions include:

- Safety regulations
- Operating instructions
- Maintenance instructions

- **These instructions have been prepared for operation on the construction site and for the maintenance engineer.**
- These instructions are intended to simplify operation of the machine and to avoid malfunctions through improper operation.
- Observing the maintenance instructions will increase the reliability and service life of the machine when used on the construction site and reduce repair costs and downtimes.
- **Always keep these instructions at the place of use of the machine.**
- **Only operate the machine as instructed and follow these instructions.**
- **Observe the safety regulations as well as the guidelines of the civil engineering trade association.**
- The manufacturer is not liable for the function of the machine when used in an improper manner and for other than the intended purpose.
- Operating errors, improper maintenance and the use of incorrect operating materials are not covered by the warranty.
- The above information does not extend the warranty and liability conditions of business of the manufacturer.

FOREWORD

Location of warranty information:

1. Information on S/N tag.
2. Information on engine tag.
3. Date you purchased machine.
4. Dealer machine was purchased from.

Warranty Information

Please enter the following data. This will help expedite any service or warranty work.

1. Machine Type: _____
Machine S/N: _____
2. Engine Type: _____
Engine S/N: _____
3. Purchase Date: _____
4. Dealer/Distributor Information:
Name: _____
Address: _____

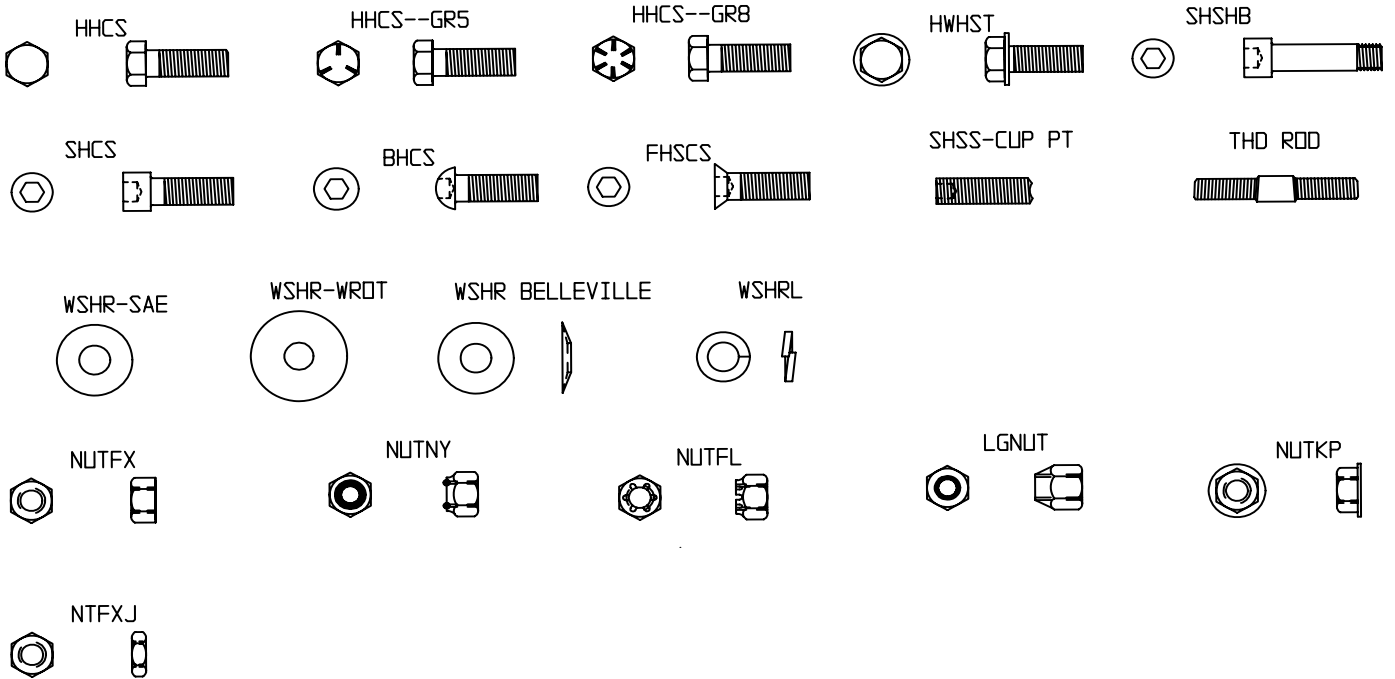
Phone #: _____
Fax #: _____

**EXTREME DUTY
BUDDY
MORTAR MIXER**

**EXTREME DUTY
BUDDY
MORTAR MIXER**

PARTS LIST & EXPLODED DIAGRAMS

HARDWARE KEY



SAE GRADE 5 Coarse Thread, Zinc-Plated		
SIZE	TORQUE	
	lb-ft	Nm
1/4 - 20 (0.250)	6	8
5/16 - 18 (0.3125)	13	18
3/8 - 16 (0.375)	23	31
7/16 - 14 (0.4375)	37	50
1/2 - 13 (0.500)	57	77
9/16 - 12 (0.5625)	82	111
5/8 - 11 (0.625)	112	152
3/4 - 10 (0.750)	200	271
7/8 - 9 (0.875)	322	436,5
1 - 8 (1.000)	483	655

SAE GRADE 8 Coarse Thread, Zinc-Plated		
SIZE	TORQUE	
	lb-ft	Nm
1/4 - 20 (0.250)	9	12
5/16 - 18 (0.3125)	18	24
3/8 - 16 (0.375)	33	45
7/16 - 14 (0.4375)	52	70
1/2 - 13 (0.500)	80	108
9/16 - 12 (0.5625)	115	156
5/8 - 11 (0.625)	159	215
3/4 - 10 (0.750)	282	382
7/8 - 9 (0.875)	454	615
1 - 8 (1.000)	682	925

SAE GRADE 5 Fine Thread, Zinc-Plated		
SIZE	TORQUE	
	lb-ft	Nm
1/4 - 28 (0.250)	7	10
5/16 - 24 (0.3125)	14	19
3/8 - 24 (0.375)	26	35
7/16 - 20 (0.4375)	41	56
1/2 - 20 (0.500)	64	87
9/16 - 18 (0.5625)	91	123
5/8 - 18 (0.625)	128	173
3/4 - 16 (0.750)	223	302
7/8 - 14 (0.875)	355	481
1 - 12 (1.000)	529	717
1 - 14 (1.000)	541	733

SAE GRADE 8 Fine Thread, Zinc-Plated		
SIZE	TORQUE	
	lb-ft	Nm
1/4 - 28 (0.250)	10	14
5/16 - 24 (0.3125)	20	27
3/8 - 24 (0.375)	37	50
7/16 - 20 (0.4375)	58	79
1/2 - 20 (0.500)	90	122
9/16 - 18 (0.5625)	129	175
5/8 - 18 (0.625)	180	244
3/4 - 16 (0.750)	315	427
7/8 - 9 (0.875)	501	679
1 - 12 (1.000)	746	1011
1 - 14 (1.000)	764	1036

Property Class 8.8

ZINC-PLATED

SIZE	Coarse Thread		Fine Thread	
	Nm	lb-ft	Nm	lb-ft
M6	9,9	7	10	7
M8	24	18	25	18
M10	48	35	49	36
M12	83	61	88	65
M14	132	97	140	103
M16	200	148	210	155
M20	390	288	425	313
M24	675	498	720	531

Classe 8.8

ZINCATURA

DIMENSIONI	Filettat. grossa		Filettat. fine	
	Nm	lb-ft	Nm	lb-ft
M6	9,9	7	10	7
M8	24	18	25	18
M10	48	35	49	36
M12	83	61	88	65
M14	132	97	140	103
M16	200	148	210	155
M20	390	288	425	313
M24	675	498	720	531

Property Class 10.9

ZINC-PLATED

SIZE	Coarse Thread		Fine Thread	
	Nm	lb-ft	Nm	lb-ft
M6	14	10	14	10
M8	34	25	35	26
M10	67	49	68	50
M12	117	86	125	92
M14	185	136	192	142
M16	285	210	295	218
M20	550	406	600	443
M24	950	701	1000	738

Classe 10.9

ZINCATURA

DIMENSIONI	Filettat. grossa		Filettat. fine	
	Nm	lb-ft	Nm	lb-ft
M6	14	10	14	10
M8	34	25	35	26
M10	67	49	68	50
M12	117	86	125	92
M14	185	136	192	142
M16	285	210	295	218
M20	550	406	600	443
M24	950	701	1000	738

Property Class 12.9

ZINC-PLATED

SIZE	Coarse Thread		Fine Thread	
	Nm	lb-ft	Nm	lb-ft
M6	16,5	12	16,5	12
M8	40	30	42	31
M10	81	60	82	60
M12	140	103	150	111
M14	220	162	235	173
M16	340	251	350	258
M20	660	487	720	531
M24	1140	841	1200	885

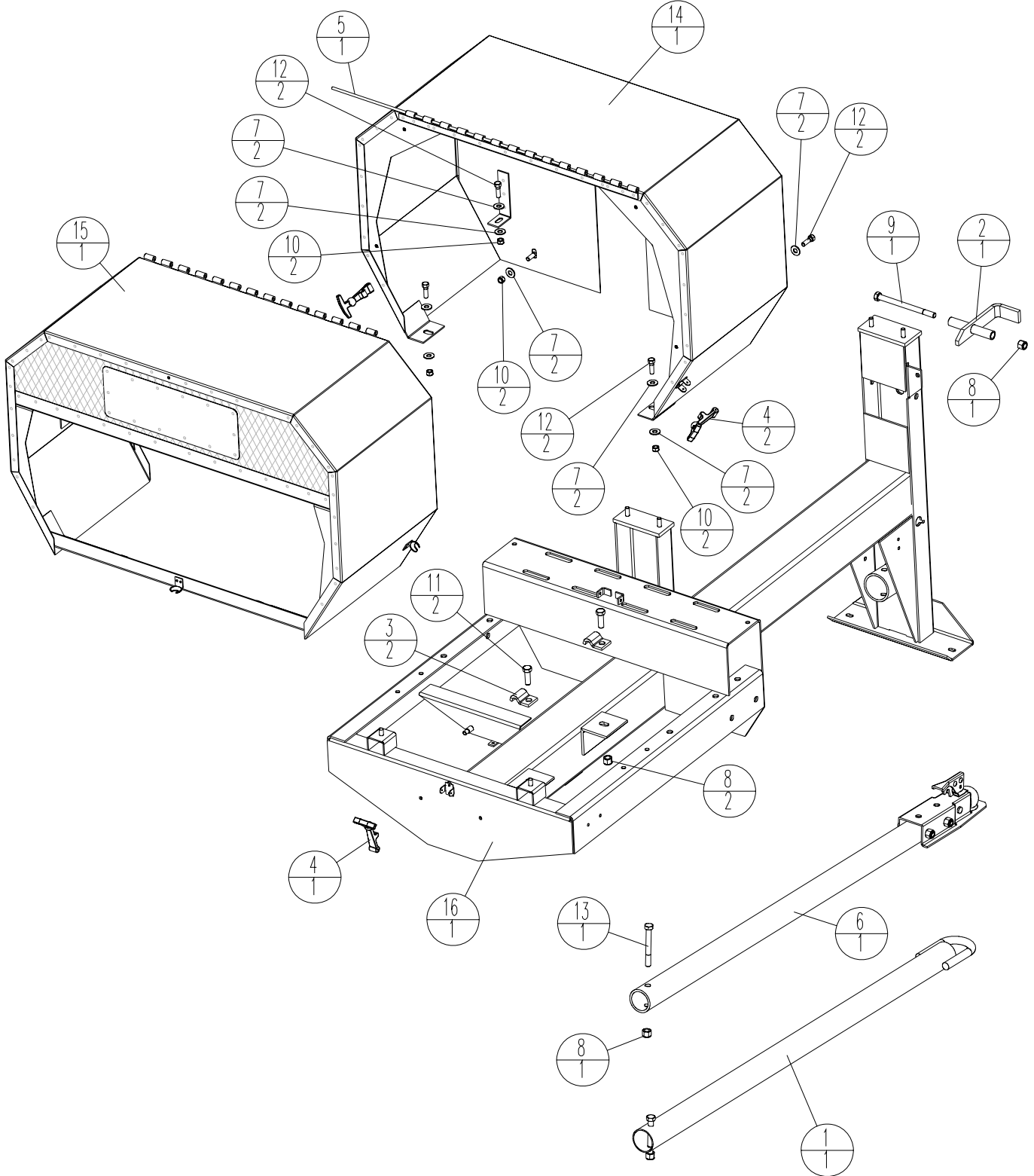
Classe 12.9

ZINCATURA

DIMENSIONI	Filettat. grossa		Filettat. fine	
	Nm	lb-ft	Nm	lb-ft
M6	16,5	12	16,5	12
M8	40	30	42	31
M10	81	60	82	60
M12	140	103	150	111
M14	220	162	235	173
M16	340	251	350	258
M20	660	487	720	531
M24	1140	841	1200	885

Conversion Factor: 1 lb-ft = 1,3558 Nm

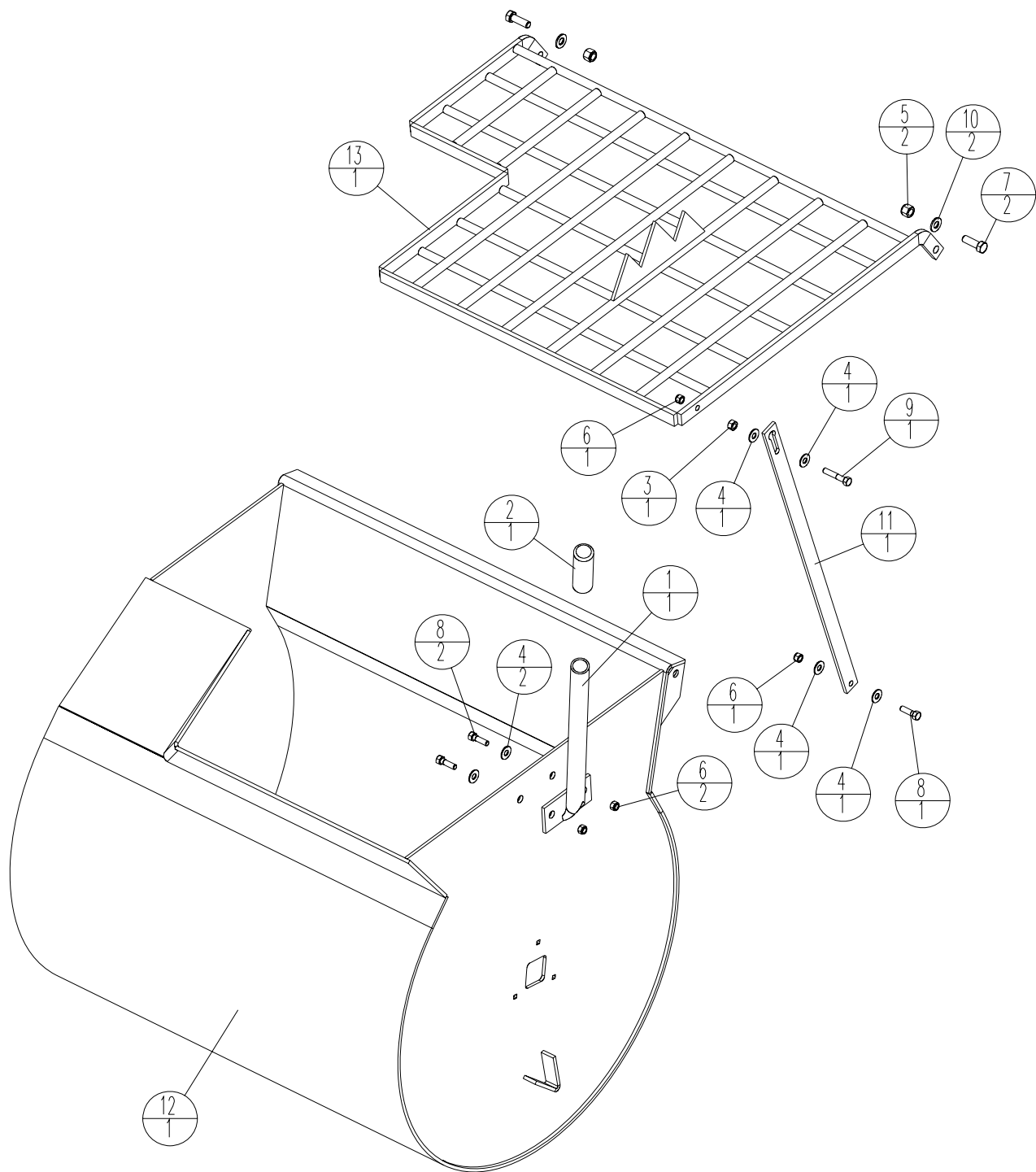
Fattore di conversione: 1 ft-lb = 1,3558 N-m



Item	Part No.	Qty	Description
1	23081	1	Kit Tow Pole Pintle LgPM
2	24027-2	1	Latch Weld Drum
3	27575-2	2	Mounting Bracket Motor Base
4	35289	3	Latch Flex Draw
5	44372	1	Pin Hinge
6	23602	1	Kit Tow Pole Ball Hitch Stamped 50 inch
7	80043	12	Washer WSHR WROT 3/8 ZN
8	80051	4	Nut NUTNY 1/2-13 ZN
9*	80052	1	Screw HHCS 1/2-13 x 6-1/2 ZN
10	80056	6	Nut NUTNY 3/8-16 ZN
11*	80075	2	Screw HHCS 1/2-13 x 1-1/2 GR5 ZN
12*	80145	6	Screw HHCS 3/8-16 x 1-1/4 GR5 ZN
13	80197	1	Screw HHCS 1/2-13 x 4 ZN
14	57724BD	1	Kit Cowl Stationary Extreme Duty
15	57725BD	1	Kit Cowl Movable Extreme Duty
16	57644BD-2	1	Weld Frame Extreme Duty
17^	57719BD	1	Kit Safety Chain EXD 144 in

* Loctite 262

^ Not Shown

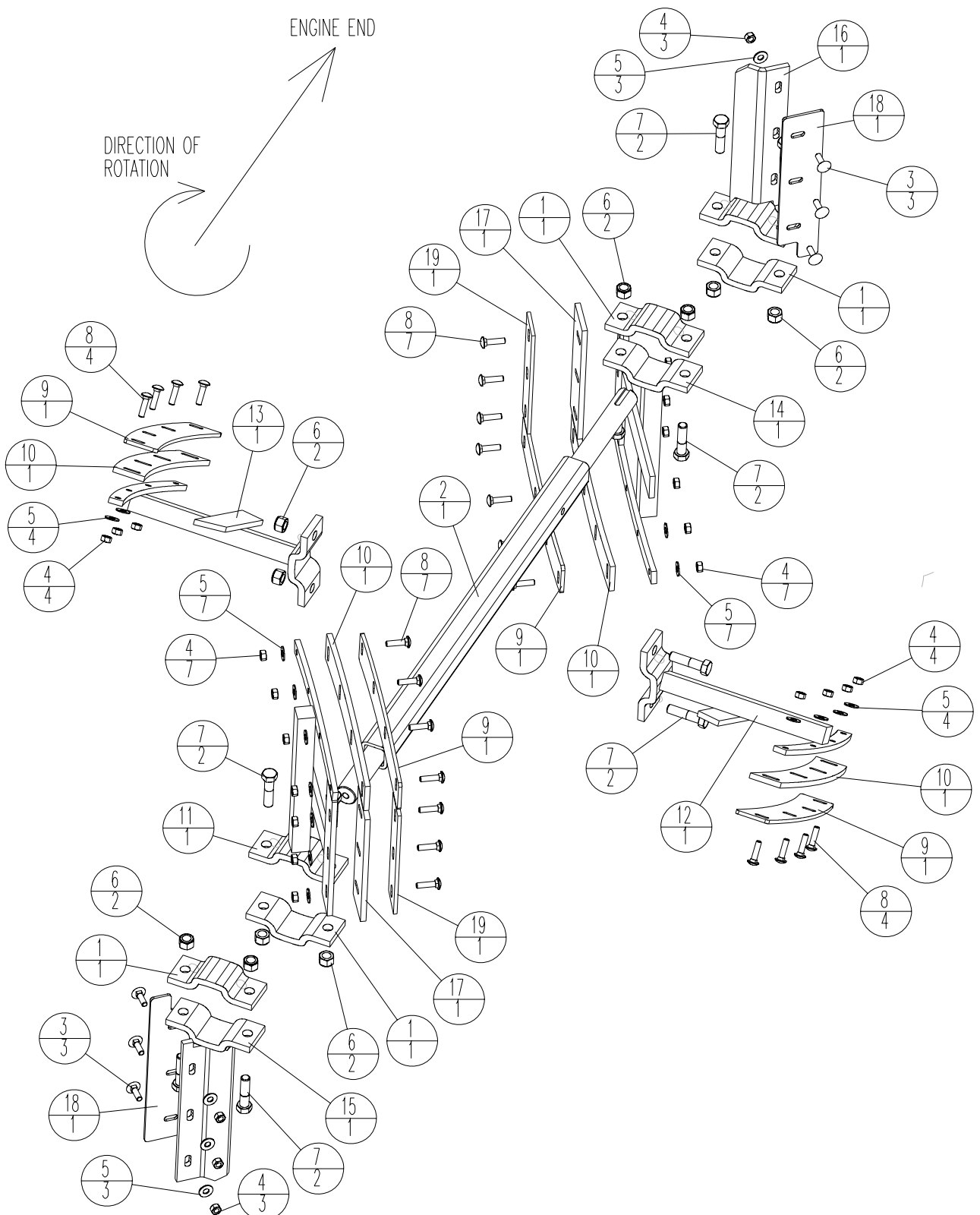


DRUM / DRUM GUARD / GUARD LIFTER ASSEMBLY

Item	Part No.	Qty	Description
1	24763-2	1	Weld Handle Dump
2	47023	1	Grip Hand
3	80042	1	Nut NUTFX 3/8-16 ZN
4	80043	6	Washer WSHR WROT 3/8 ZN
5	80051	2	Nut NUTNY 1/2-13 ZN
6	80056	4	Nut NUTNY 3/8-16 ZN
7*	80075	2	Screw HHCS 1/2-13 x 1-1/2 GR5 ZN
8*	80145	3	Screw HHCS 3/8-16 x 1-1/4 GR5 ZN
9*	80178	1	Screw 3/8-16 x 2 GR5 ZN
10	80343	2	Washer WSHR SAE 1/2 ZN
11	57066BD-2	1	Guard Lifter Extreme Duty
12	57645BD-2	1	Weld Drum Extreme Duty 1300
13	57652BD-2	1	Weld Guard Drum Extreme Duty 1300
14^	57728BD	1	Kit Drum Paddle Assy EXD1300

* Loctite 262

^ Not shown



PADDLE SHAFT / PADDLE ASSEMBLY

Item	Part No.	Qty	Description
1	26882-2	4	Paddle Clamp
2	22342	1	Kit Paddle Shaft
3*	80041	6	Bolt CRBLT 3/8-16 x 1-1/4 ZN
4	80042	28	Nut NUTFX 3/8-16 ZN
5	80043	28	Washer WSHR WROT 3/8 ZN
6	80082	10	Nut NUTNY 5/8-11 ZN
7*	80084	10	Screw HHCS 5/8-11 x 2-1/2 GR5 ZN
8*	80210	28	Bolt CRBLT 3/8-16 x 1-1/2 ZN
9	57084BD-2	4	Backer Bar Top
10	57090BD	4	Blade Rubber Mixer Extreme Duty
11	57659BD-2	1	Weld Paddle TPE Extreme Duty
12	57661BD-2	1	Weld Paddle TPEC Extreme Duty
13	57662BD-2	1	Weld Paddle EEC Extreme Duty
14	57663BD-2	1	Weld Paddle EE Extreme Duty
15	57664BD-2	1	Weld Paddle Pusher TPE Extreme
16	57666BD-2	1	Weld Paddle Pusher EE Extreme
17	57669BD	2	Blade Rubber Mixer End Extreme
18	57670BD-2	2	Backer Pusher End Extreme Duty
19	57671BD-2	2	Backer Bar End Extreme Duty

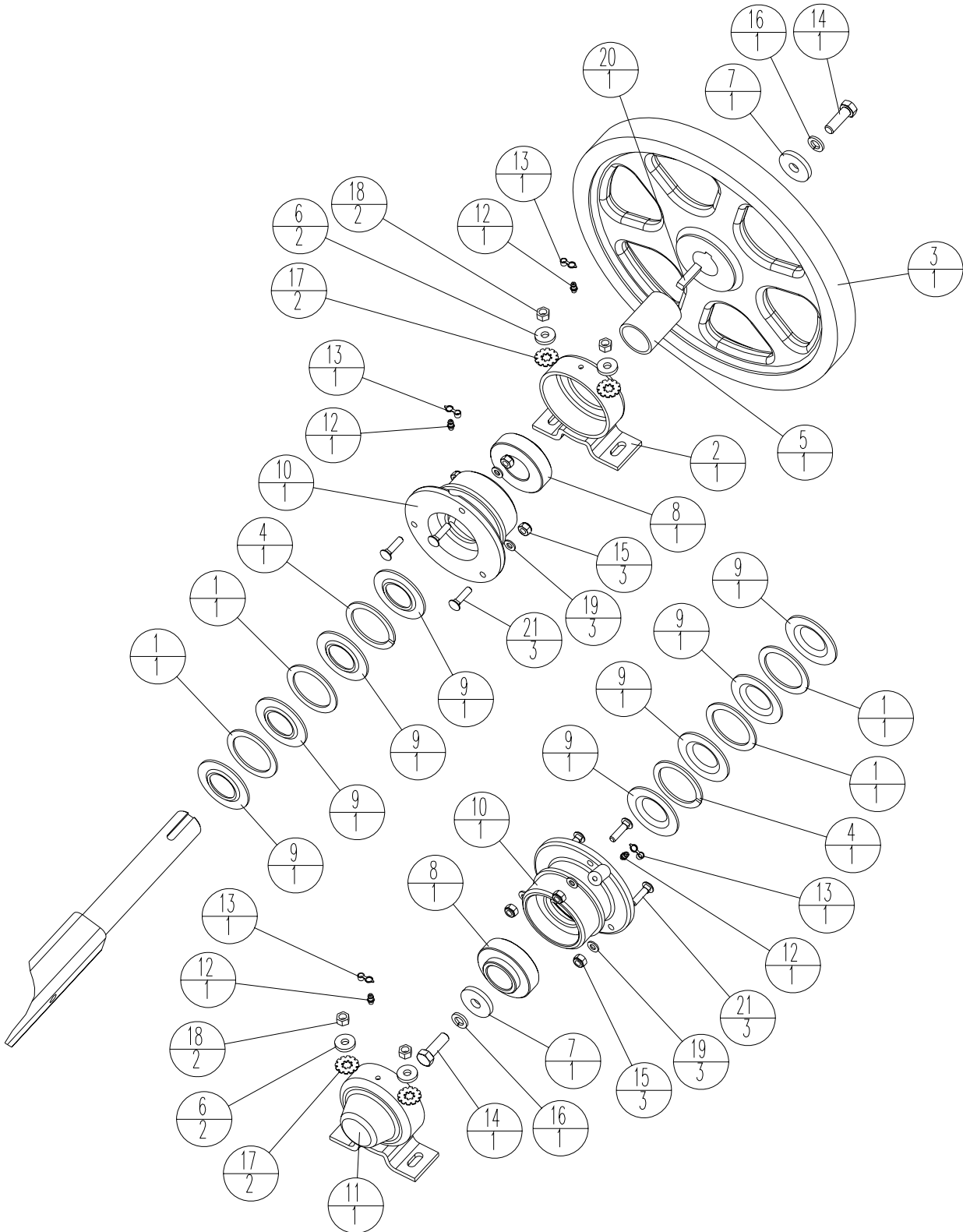
* Loctite 262



Item	Part No.	Qty	Description
1^	57739BD	1	Kit Paddle Assembly Extreme Duty LGPM
			Includes all individual Paddle Kits, Mounting Clamps and Hardware.
2^	57740BD	1	Kit Paddle TPE Extreme Duty LGPM
			Includes TPE Paddle Weld, Top Rubber Blade, End Rubber Blade, Top Backer Bar, End Backer Bar and Blade Mounting Hardware
3^	57741BD	1	Kit Paddle TPEC Extreme Duty LGPM
			Includes TPEC Paddle Weld, Top Rubber Blade, Top Backer Bar and Blade Mounting Hardware
4^	57742BD	1	Kit Paddle EEC Extreme Duty LGPM
			Includes EEC Paddle Weld, Top Rubber Blade, Top Backer Bar and Blade Mounting Hardware
5^	57743BD	1	Kit Paddle EE Extreme Duty LGPM
			Includes EE Paddle Weld, Top Rubber Blade, End Rubber Blade, Top Backer Bar, End Backer Bar and Blade Mounting Hardware

Item	Part No.	Qty	Description
6^	57744BD	1	Kit Paddle Pusher TPE Extreme Duty LGPM
			Includes TPE Pusher Paddle Weld, Backer Bar and Blade Mounting Hardware
7^	57745BD	1	Kit Paddle Pusher EE Extreme Duty LGPM
			Includes EE Pusher Paddle Weld, Backer Bar and Blade Mounting Hardware
8^	57746BD	1	Kit Rubber Blades Extreme Duty LGPM
			Includes Top Rubber Blades and End Rubber Blades
9^	57747BD	1	Kit Hardware Blades Extreme Duty LGPM
			Includes all Hardware for Rubber Blades and Backer Bars
10^	57748BD	1	Kit Backer Bars Extreme Duty LGPM
			Includes all Top Backer Bars, End Backer Bars and Pusher Backer Bars

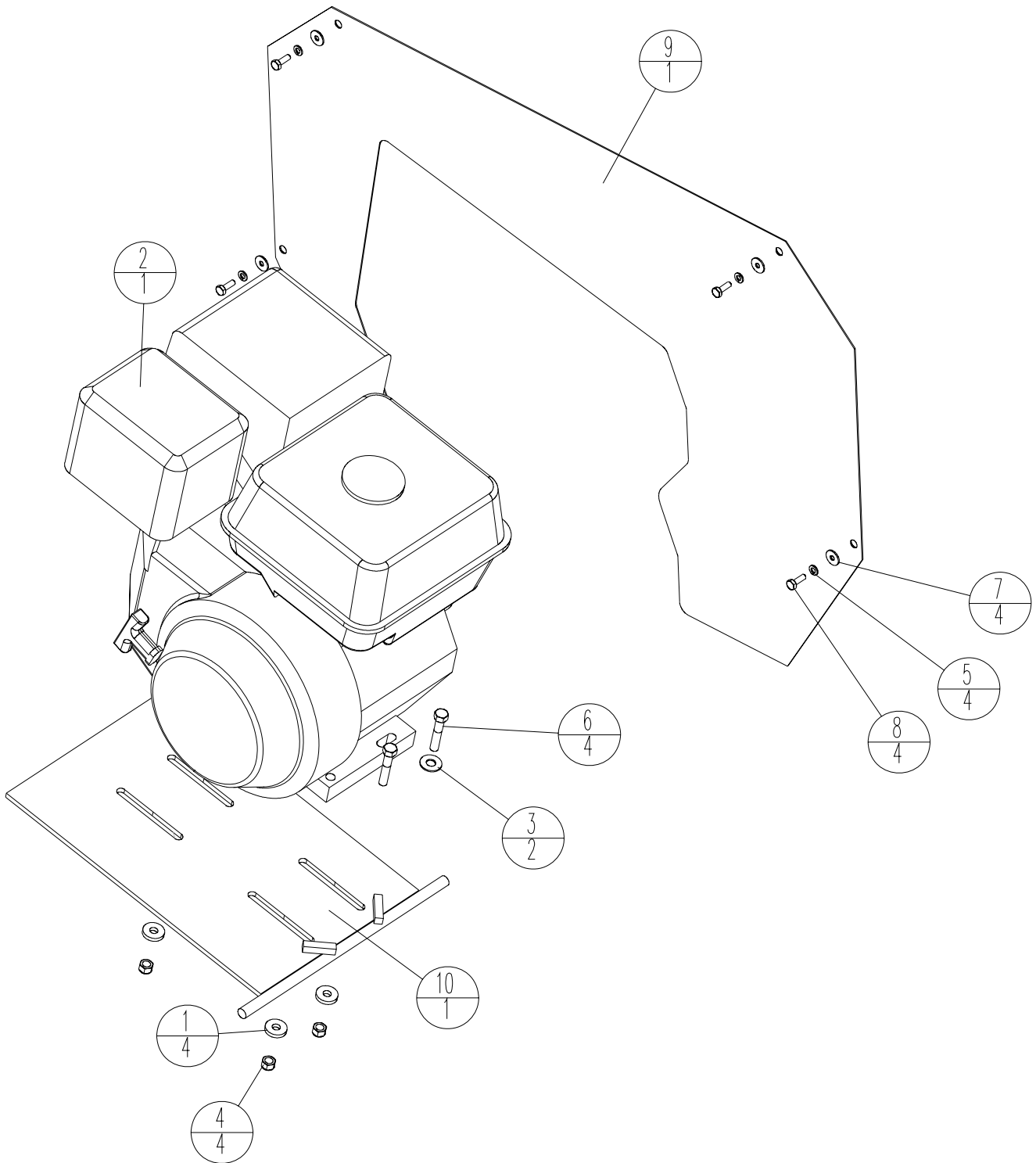
^ Not Shown



SEALS / BEARINGS ASSEMBLY

Item	Part No.	Qty	Description
1	24017	4	Washer WSHR 12 ga 2-15/16 OD x 2-1/4 ID
2	24021-2	1	Weld Trunnion PM
3	24329-2	1	Bullgear
4	25881	2	Washer Split
5	25928-2	1	Spacer Shaft EE
6	26325	4	Washer WSHR .375 ID x 1.00 OD x .187 ZN
7	26326	2	Washer WSHR 9/16 x 1-3/4 x 1/4 Pln
8	32003	2	Bearing
9	32324	8	Seal Drum Yellow
10	23462	2	Kit Housing Bearing
11	36574-2	1	Weld Trunnion Capped TPE
12	46042	4	Fitting Grease 1/4-28 ZN
13	47001	4	Cap Grease Fitting
14*	80075	2	Screw HHCS 1/2-13 x 1-1/2 GR5 ZN
15	80114	6	Nut NUTNY 5/16-18 ZN
16	80117	2	Washer WSHRL 1/2 Med Split ZN
17	80119	4	Washer WSHRLT INT/EXT 3/8
18	80325	4	NUT NUTFL 3/8-16 Red ZN
19	80495	6	Washer WSHR SAE 5/16 ZN
20	81060	1	Key SQ 3/8 Pln
21*	81064	6	Bolt CRBLT 5/16-18 x 1.25

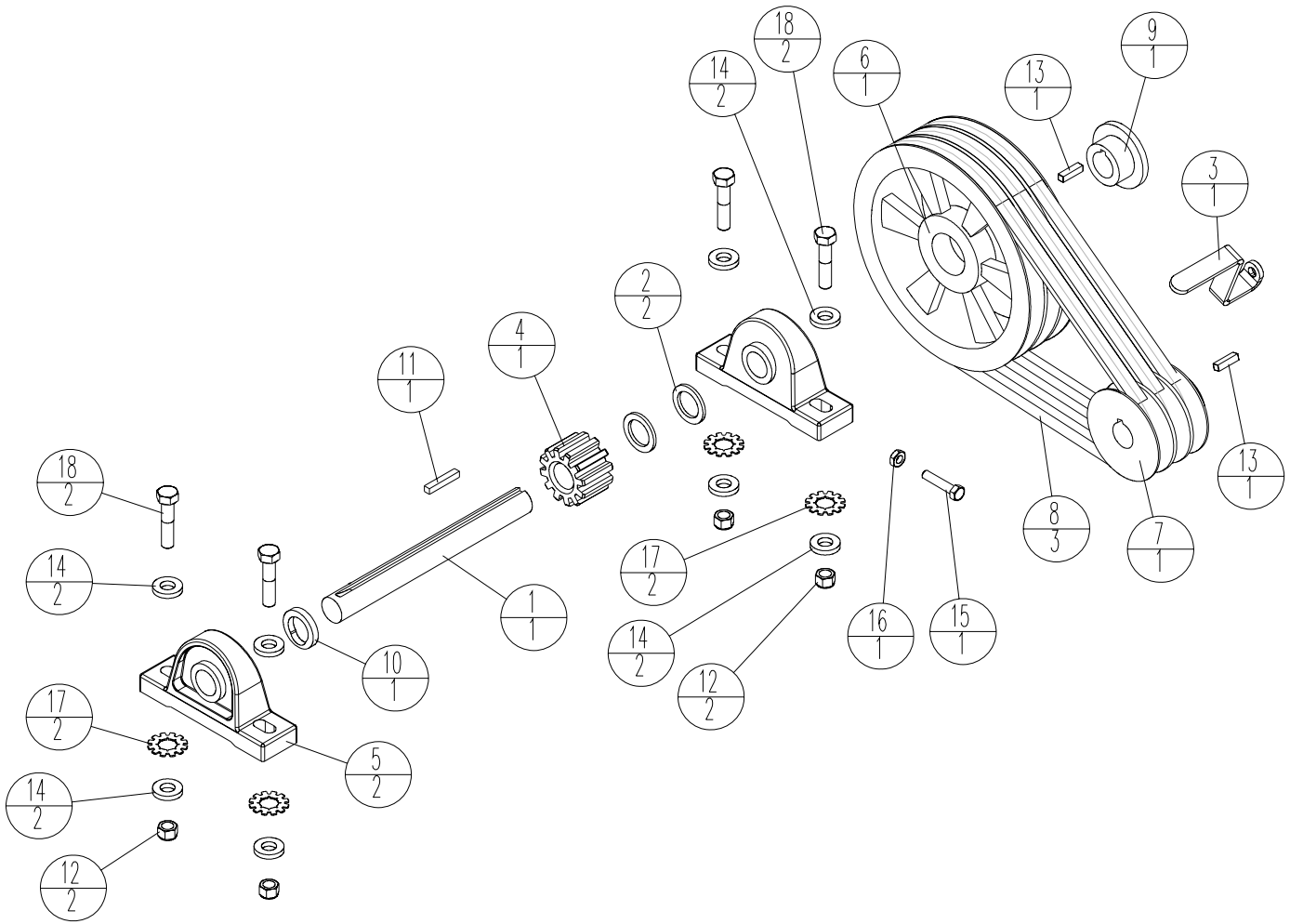
* Loctite 262



ENGINE GAS / INNER GUARD ASSEMBLY

Item	Part No.	Qty	Description
1	26325	4	Washer WSHR .375 I x 1.00 OD x .187 ZN
2	30341	1	Engine 11 hp Honda
3	80043	2	Washer WSHR WROT 3/8 ZN
4	80056	4	Nut NUTNY 3/8-16 ZN
5	80116	4	Washer WSHRL 1/4 Med Split ZN
6*	80178	4	Screw HHCS 3/8-16 x 2 GR5 ZN
7	80347	4	Washer WSHR WROT 1/4 ZN
8*	80434	4	Screw HHCS 1/4-20 x 3/4 GR5 ZN
9	57688BD-2	1	Panel 13 hp Honda Extreme Duty LgPM
10	57690BD-2	1	Weld Base Motor Extreme Duty Gas LgPM

* Loctite 262

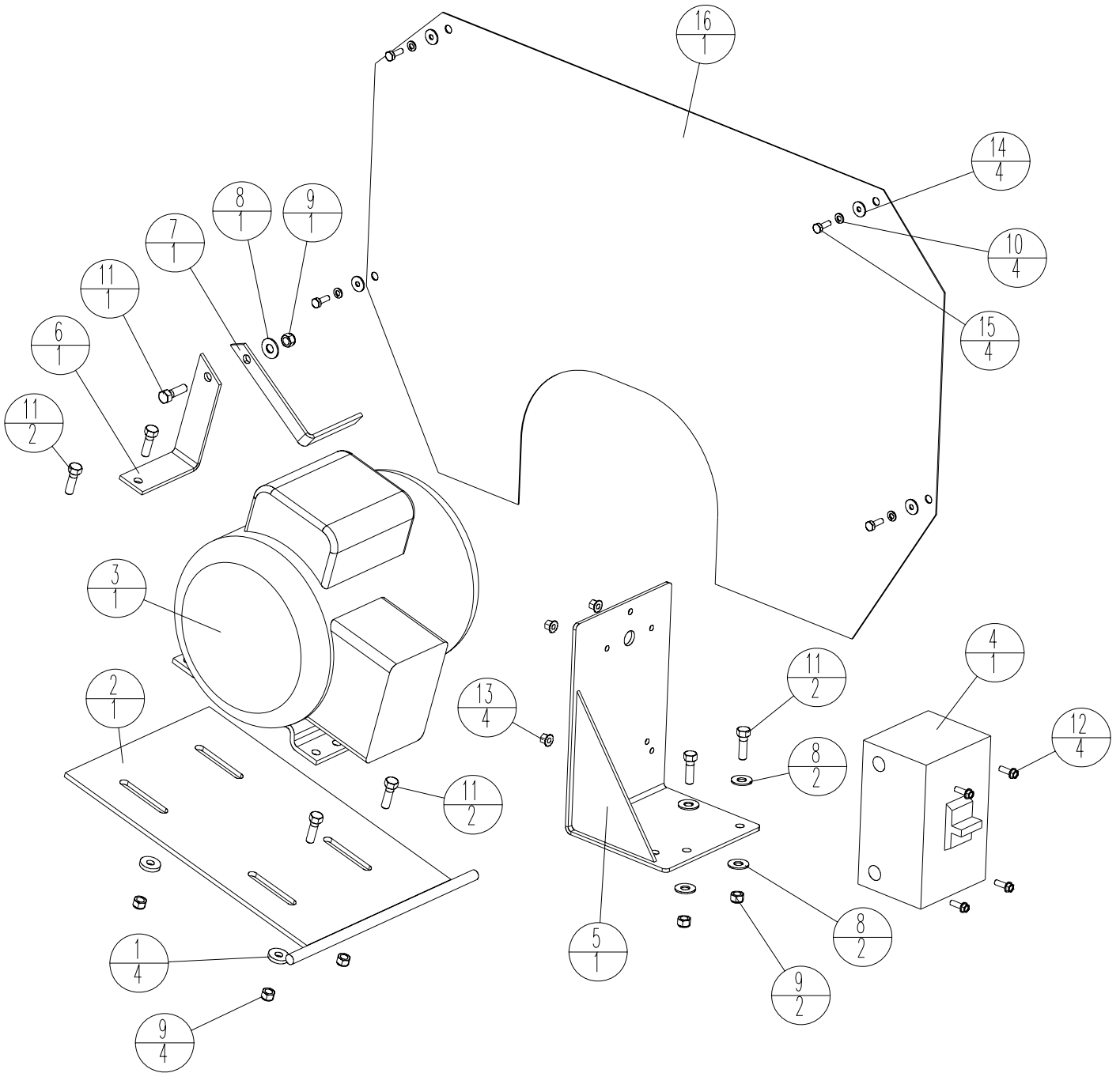


DRIVE COMPONENTS GAS ASSEMBLY

Item	Part No.	Qty	Description
1	22509	1	Shaft Assembly
2	24622	2	Washer WSHRL 1-1/32 ID x 1-1/2 OD x 1/8
3	26199-2	1	Guide Belt
4	23121	1	Kit Pinion
5	32209	2	Bearing Pillowblock 1.00
6	34518	1	Sheave 3BK90 x 1
7	34666	1	Sheave 3BK34 x 1
8	34933	3	V-Belt B-37
9	35471	1	Bushing H-1
10	38122	1	Washer Retainer Pin
11	80061	1	Key Sq ¼ x 1.50 Class 1 Pln
12	80079	4	Nut NUTNY 7/16-14 ZN
13	80100	2	Key Sq ¼ x 1 Class 1 Pln
14	80125	8	Washer WSHR 17/32 x 1-1/16 x 3/16 ZN
15	80164	1	Bolt HHTB 5/16-18 x 1-1/2 GR5 ZN
16	80244	1	Nut NUTFXJ 5/16-18 ZN
17	80358	4	Washer WSHRLT INT/EXT 3/8
18*	80392	4	Screw HHCS 7/16-14 x 2 GR2 ZN
19^	21861	1	Subasm Pinion LgPM

* Loctite 262

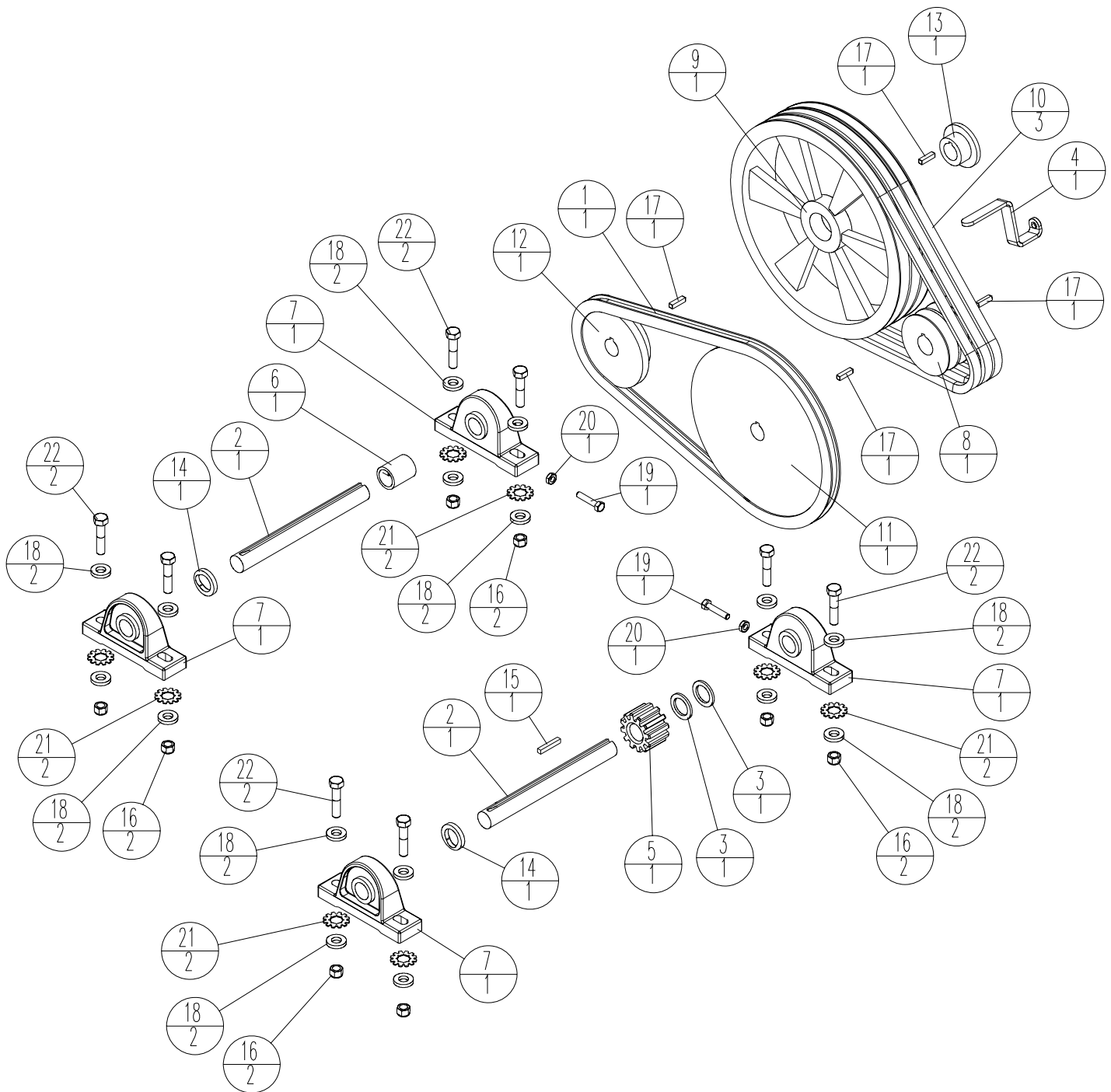
^ Not Shown



3 HP ELECTRIC MOTOR / INNER GUARD / STARTER BOX ASSEMBLY

Item	Part No.	Qty	Description
1	26325	4	Washer WSHR .375 ID x 1.00 OD x .187 ZN
2	27320-2	1	Weld Base Motor 3 hp Elec LgPM
3	30014	1	Motor Elec 3 hp 1725 RPM 1PH 230V
4	48535	1	Starter Manual Nema 1 3 hp 230V 1PH
5	50112-2	1	Weld Bracket Starter
6	50226-2	1	Guide Belt Stationary Elec
7	50227-2	1	Guide Belt Moveable Elec
8	80043	5	Washer WSHR WROT 3/8 ZN
9	80056	7	Nut NUTNY 3/8-16 ZN
10	80116	4	Washer WSHRL 1/4 Med Split ZN
11*	80145	7	Screw HHCS 3/8-16 x 1-1/4 GR5 ZN
12*	80153	4	Screw HWHST 1/4-20 x 3/4 ZN
13	80236	4	Nut NUTKP 1/4-20 ZN
14	80347	4	Washer WSHR WROT 1/4 ZN
15	80434	4	Screw HHCS 1/4-20 x 3/4 GR5 ZN
16	57689BD-2	1	Panel 3 hp Elect Extreme Duty LgPM

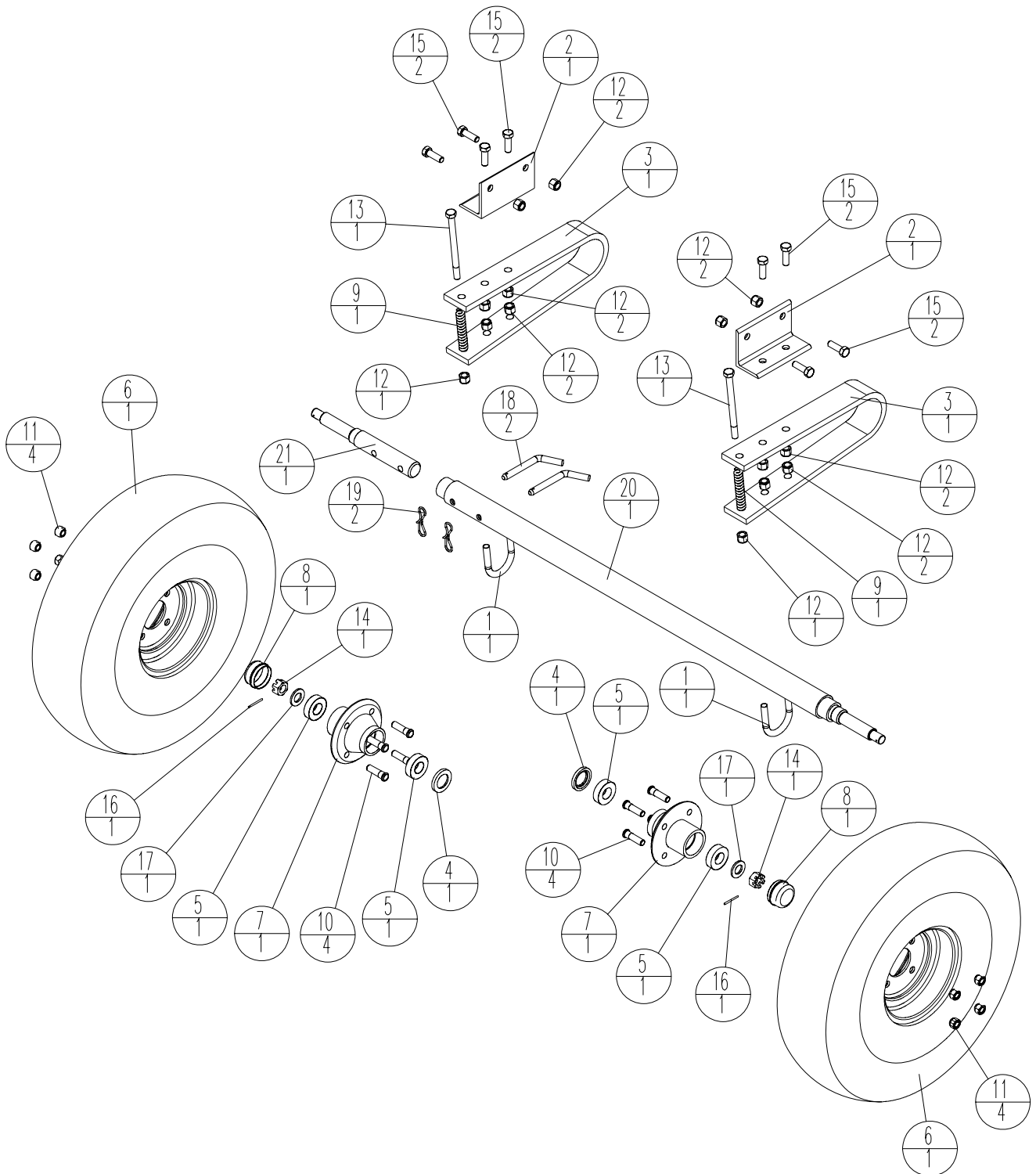
* Loctite 262



3 HP ELECTRIC DRIVE COMPONENTS ASSEMBLY

Item	Part No.	Qty	Description
1	21185	1	Set Chain RC60 62 Pitches
2	22509	2	Shaft Assembly
3	24622	2	Washer WSHR 1-1/32 ID x 1-1/2 OD x 1/8
4	26199-2	1	Guide Belt
5	23121	1	Kit Pinion
6	29138	1	Spacer
7	32209	4	Bearing Pillowblock 1.00
8	34517	1	Sheave 3BK34 x 1-1/8
9	34522	1	Sheave 3BK90 x 1
10	34624	3	V-Belt B45
11	34777	1	Sprocket 60B40 x 1 in Bore
12	34932	1	Sprocket 60B18 x 1 in Bore
13	35471	1	Bushing H-1
14	38122	2	Washer Retainer Pin
15	8006 1	1	Key Sq ¼ x 1.50 Class 1 Pln
16	80079	8	Nut NUTNY 7/16-14 ZN
17	80100	4	Key Sq ¼ x 1 Class 1 Pln
18	80125	16	Washer WSHR 17/32 x 1-1/16 x 3/16 ZN
19	80164	2	Bolt HHTB 5/16-18 x 1-1/2 GR5 ZN
20	80244	2	Nut NUTFXJ 5/16-18 ZN
21	80358	8	Washer WSHRLT INT/EXT 3/8
22*	80392	8	Screw HHCS 7/16-14 x 2 GR2 ZN

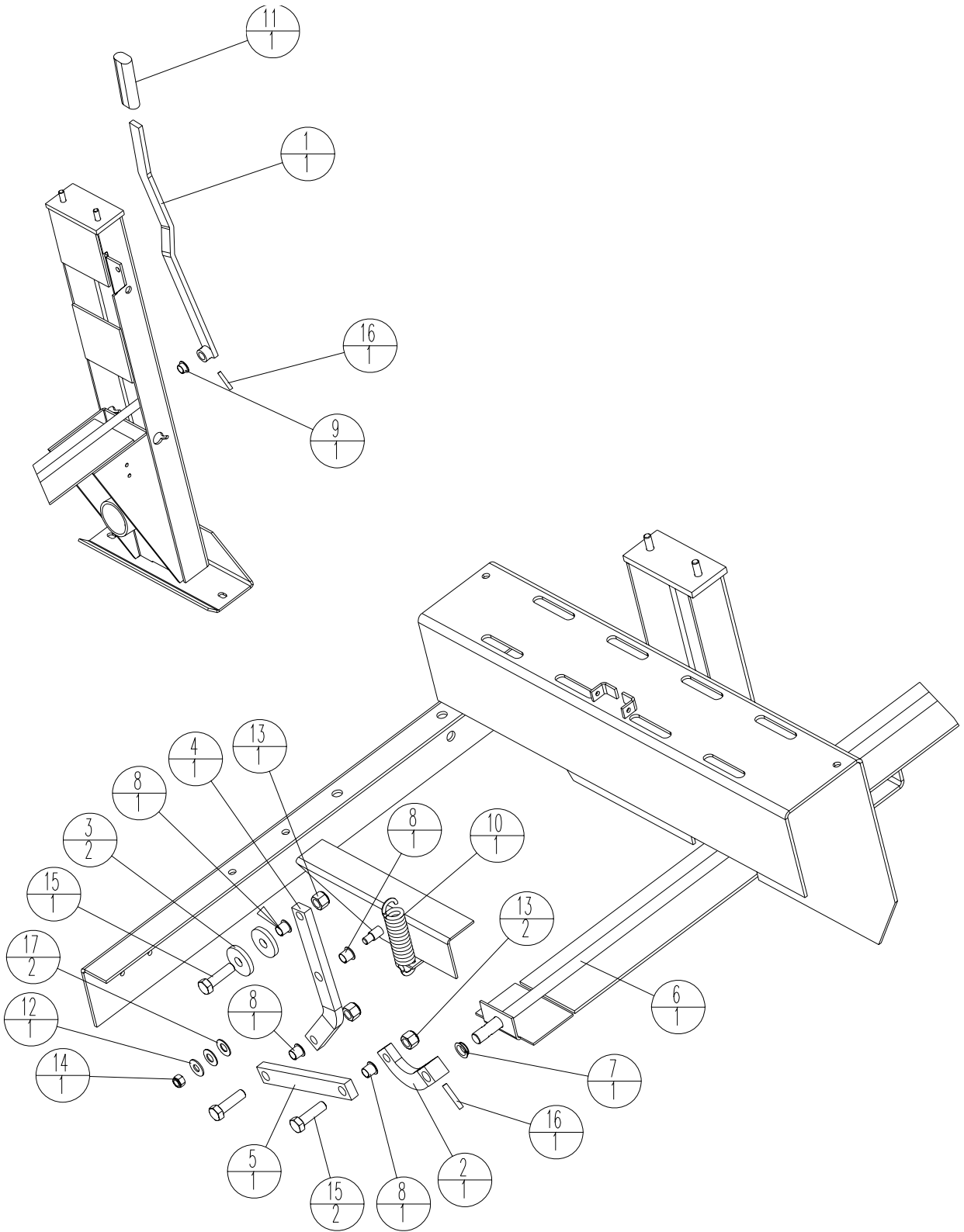
* Loctite 262



AXLE ASSEMBLY / WHEELS

Item	Part No.	Qty	Description
1	26195	2	U-Bolt
2	26949-2	2	Bracket Axle Spring
3	26971 -2	2	Spring Leaf 16 in
4	32052	2	Seal Wheel Hub
5	32233	4	Bearing Roller Taper 1.000
6	32307	2	Assy Tire & Rim B78-13
7	34501	2	Kit Hub 4-Bolt
8	34573	2	Dust Cap
9	34972	2	Spring Comp .24 OD x 1-1/4
10	39190	8	Lug Stud 1/2-20 x 1-7/32 Lg
11	80045	8	Lug Nut 1/2-20 ZN
12	80051	14	Nut NUTNY 1/2-13 ZN
13*	80052	2	Screw HHCS 1/2-13 x 6-1/2 ZN
14	80054	2	Nut 3/4-16 ZN
15*	80075	8	Screw HHCS 1/2-13 x 1-1/2 GR5 ZN
16	80316	2	Pin PINCT 1/8 x 1-1/2 ZN
17	80344	2	Washer WSHR SAE 3/4 ZN
18	81269	2	Pin PINHCH Bent Arm 1/2 in x 3.0 in ZN
19	81270	2	Hairpin Bowtie 7/16 Half Shaft
20	57700BD-2	1	Weld Axle Spring Extreme Duty LgPM
21	57702BD	1	Shaft Axle Spindle Extreme Duty LgPM

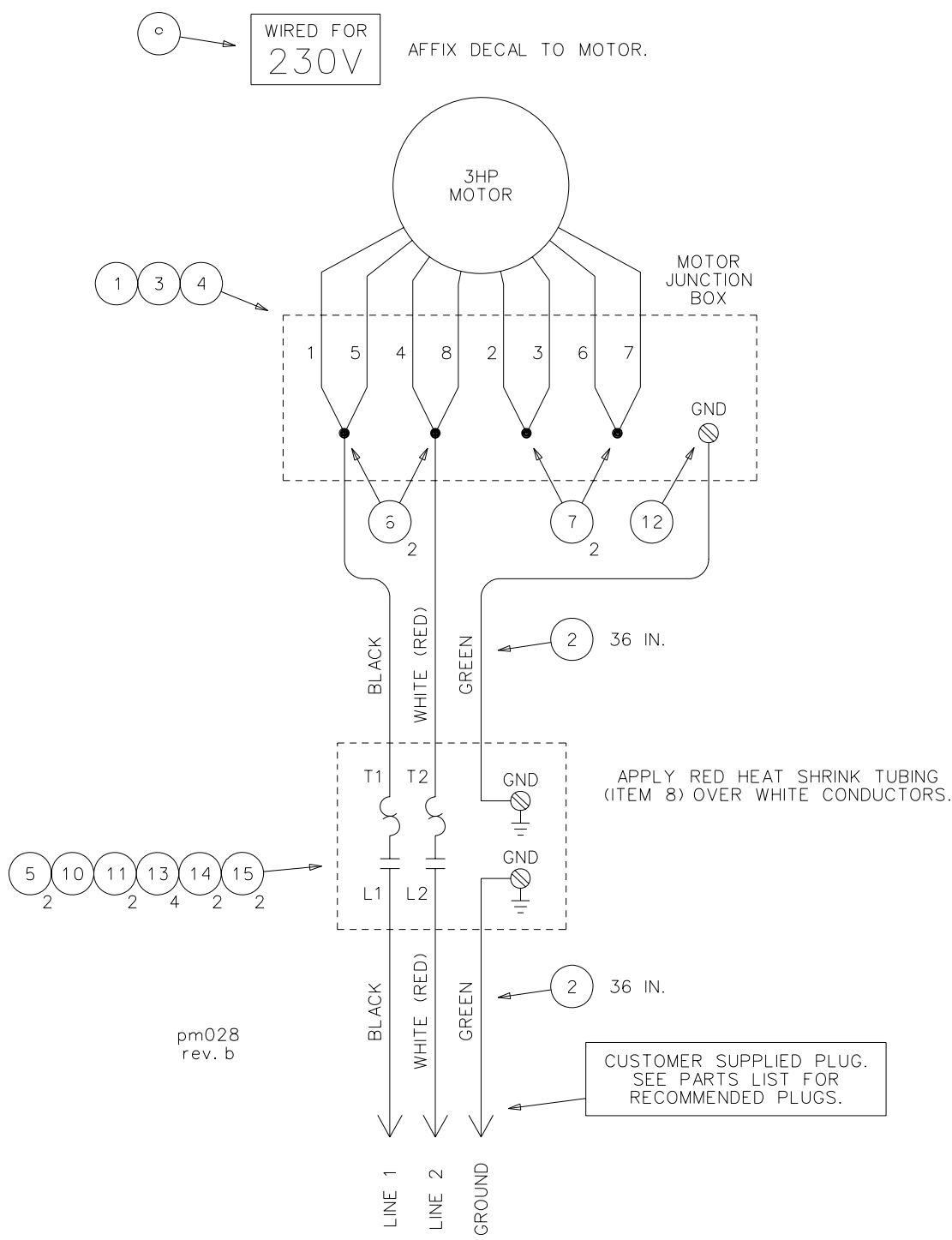
* Loctite 262



CLUTCH ASSEMBLY

Item	Part No.	Qty	Description
1	22094-2	1	Level Weld Clutch
2	22524-2	1	Lever First Assy
3	26326	2	Washer WSHR 9/16 x 1-3/4 x 1/4 Pln
4	26965-2	1	Third Lever
5	26967-2	1	Second Lever
6	28138-2	1	Clutch Rod
7	32098	1	Bushing Flange Nylon 5/8 in
8	32099	4	Bushing Flange Nylon .50
9	32116	1	Bushing Flange Nylon .62
10	34849	1	Spring Extension 4.875
11	35296	1	Grip Handle Serrated 7/8 Dia
12	80043	1	Washer WSHR WROT 3/8 ZN
13	80051	3	Nut NUTNY 1/2-13 ZN
14	80056	1	Nut NUTNY 3/8-16 ZN
15*	80089	3	Screw HHCS 1/2-13 x 1-3/4 GR5 ZN
16	80308	2	Pin PINSP 1/4 x 1-1/2 ZN
17	80639	2	Washer WSHRSP 1/2 ID Blk Bellevil

* Loctite 262



230VAC (NOMINAL) 30A SINGLE PHASE SERVICE

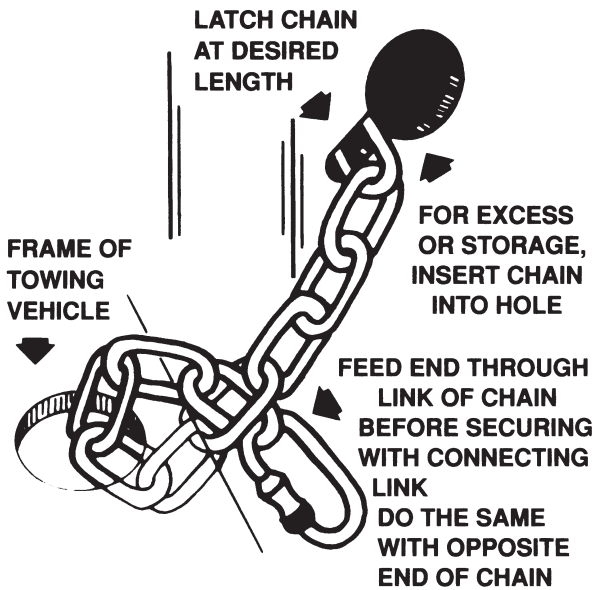
CONNECT TO A PROPERLY GROUNDED AND PROTECTED ELECTRICAL SERVICE USING A 3-WIRE 10AWG (MINIMUM) EXTENSION CORD SUITABLE FOR OUTDOOR USE. REFER TO THE OPERATOR MANUAL FOR MORE INFORMATION.

WIRING SCHEMATIC 3HP 230V SINGLE PHASE

Item	Part No.	Qty	Description
1	30014	1	Motor Elec 3 hp 1725 RPM 115/230 IPH
2	48344	6	Cord 10/3 Type SOOW 600 Volt
3	48580	1	Cord Grip 1 in NPT 90 Deg .63-.75 in Cable OD
4	48581	1	Locknut 1 in NPT
5	48582	2	Cord Grip ¾ in NPT .625-.750 IN Cable OD
6	48579	2	Wire Joint insul 3 x 14 AWG thru 4 x 12 AWG
7	48576	2	Wire Joint Insul 4 x 18 AWG thru 2 x 12 AWG
8	47645	1	Tubing Heat Shrink ¼ in Red
9	55023	1	Decal 230 V Black
10	48535	1	Starter Manual Single Phase Nema M-1
11	48540	2	Heater Element FH48 19.7A 1 Ph 17.3A 3PH
12	48031	1	Term Ring 10 Insul 12-10 AWG
13	48346	4	Term Spade 10 Insul 12-10 AWG
14	48583	2	Term Ring 8 Insul 12-10 AWG
15	80766	2	HWH CrimpTite 8 x 3/8
<p>Recommended Plugs for 3 hp 230 Volt Single Phase Motor Application</p> <p>Nema 6-50P Straight Blade Devices: Pass & Seymour 3859 Hubbell HBL9368 Bryant 9650ANPB</p> <p>Nema L6-50P Locking Devices: Not Available</p> <p>IEC 309 Pin & Sleeve Devices: Pass & Seymour PS330P6W Hubbell HBL330P6W Bryant 330P6W</p>			

SAFETY CHAIN

"PATENT #4180281"



CAUTION
READ OPERATING INSTRUCTIONS BEFORE RUNNING MIXER
55005

1

This engine has been tested with fuel treated with **STA-BIL®** to prevent gum and varnish residue in tank,

3

GREASE
WEEKLY

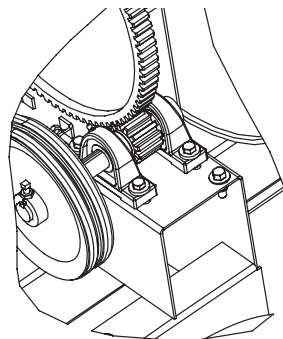
55392

4

WIRED FOR
230V

55023

2



GREASE
MONTHLY

ENGRASAR
CADA MES

5

DECAL IDENTIFICATION

Item	Part No.	Qty	Description
1	55005	1	Decal Safety Chain Black on Clear
2	55023	1	Decal Safety Wired for 230V
3	55214	1	Decal STA-BIL
4	55392	2	Decal Grease Weekly Black on Clear
5	55666BD	1	Decal Grease Monthly



IDLE ENGINE 5 MINUTES
BEFORE STOPPING
TO IMPROVE SERVICE LIFE

DEJE FUNCIONAR EL MOTOR EN
VACIO DURANTE 5 MINUTOS ANTES
DE DETENERLO PARA EXTENDER SU
VIDA DE SERVICIO.

55546

1

CAUTION

When equipment is not in use turn
the fuel valve to the OFF position.

2

PRECAUCIÓN

Cuando el equipo no esté en uso
gire la válvula de combustible a la
posición OFF (apagado)

55570

Buddy

55659BD

3

Buddy

55660BD

4

DECAL IDENTIFICATION

Item	Part No.	Qty	Description
1	55546	1	Decal Instruction Engine Idle
2	55570	1	Decal Caution Turn Off Valve
3	55659BD	2	Decal Buddy Mixer Large
4	55660BD	1	Decal Buddy Mixer Small

⚠ WARNING
Moving parts can crush and cut.
 Do not operate with guards open or removed. Shut off engine to clean or service. If equipped with electric motor, disconnect plug before cleaning or servicing.

⚠ ADVERTENCIA
Las partes en movimiento pueden aplastar y cortar.
 No haga funcionar el equipo con las guardas abiertas o si se han retirado. Apague el motor para limpiar o dar mantenimiento. Si el equipo tiene un motor eléctrico, desconecte el enchufe antes de dar mantenimiento.

55010

1

⚠ WARNING
Moving parts can crush and cut.
 Do not operate with guards open or removed. Shut off engine to clean or service. If equipped with electric motor, disconnect plug before cleaning or servicing.

⚠ ADVERTENCIA
Las partes en movimiento pueden aplastar y cortar.
 No haga funcionar el equipo con las guardas abiertas o si se han retirado. Apague el motor para limpiar o dar mantenimiento. Si el equipo tiene un motor eléctrico, desconecte el enchufe antes de dar mantenimiento.

55011

2

⚠ DANGER
Fuel and fumes can explode and burn.
 Stop engine and extinguish all flames and smoking materials before refueling. Use a safety can.

⚠ PELIGRO
El combustible y los gases pueden explotar y arder.
 Pare el motor y apague todas las llamas y los materiales para fumar antes de reabastecer el combustible. Utilice un recipiente de seguridad.

55128

3

⚠ WARNING
Read and understand operator's manual before using this machine.
 Failure to follow operating instructions could result in personal injury or damage to equipment.

⚠ ADVERTENCIA
Lea y entienda el manual del operador antes de utilizar esta máquina.
 El no seguir las instrucciones de operación puede ocasionar lesiones personales o daños al equipo.

55564

5

4

IMPORTANT
SAFETY INSTRUCTIONS
 Read and understand the operator's manual and all safety labels before operating this machine.
 Only a trained person is to be permitted to operate this equipment. Training should include operation instruction under normal conditions and emergency situations.
 Personnel working on or near this equipment shall be instructed as to the location and operation of pertinent stopping devices.
 Under no circumstances are the safety characteristics of this equipment to be altered.
 Routine inspections and corrective/preventative maintenance measures are to be conducted to ensure that all guards and safety features are retained and function properly.

IMPORTANTE
INSTRUCCIONES DE SEGURIDAD
 Lea y entienda el manual del operador y todas las etiquetas de seguridad antes de operar esta máquina.
 Sólo se permite operar este equipo a las personas capacitadas. La capacitación debe incluir las instrucciones de operación bajo condiciones normales y situaciones de emergencia.
 El Personal que trabaja con o cerca de este equipo deberá ser instruido acerca de la ubicación y operación de los dispositivos de paro pertinentes.
 Bajo ninguna circunstancia se podrán alterar las características de seguridad de este equipo.
 Se deberán llevar a cabo inspecciones de rutina y medidas de mantenimiento correctivo / preventivo para asegurar que todas las guardas y características de seguridad sean retenidas y funcionen adecuadamente.

IMPORTANT	IMPORTANTE
CLEANING INSTRUCTIONS <ul style="list-style-type: none"> • Keep drum guard closed. • Always keep guard lifter connected. • Keep drum in upright, mixing position. • Spray mixer with water before mix dries to remove accumulation. • Rotate drum to dump position to remove debris. 	INSTRUCCIONES DE LIMPIEZA <ul style="list-style-type: none"> • Mantenga cerrada la guarda del tambor. • Mantenga siempre conectado el elevador de la guarda. • Mantenga el tambor en la posición de mezcla, hacia arriba. • Para retirar la acumulación de mezcla rocíe el mezclador con agua. • Para retirarla rote el tambor a la posición de vaciado.

55667BD

DECAL IDENTIFICATION

Item	Part No.	Qty	Description
1	55010	1	Decal Warning Moving Parts External
2	55011	1	Decal Warning Moving Parts Internal
3	55128	1	Decal Danger Fuel Flammable
4	55667BD	1	Decal Drum Cleaning Instructions
5	55564	1	Decal Warning Read Manual
6	55565	1	Decal Safety Instructions



**EXTREME DUTY
BUDDY
MORTAR MIXER**

**EXTREME DUTY
BUDDY
MORTAR MIXER**

**EXTREME DUTY
BUDDY
MORTAR MIXER**

CALIFORNIA PROPOSITION 65 WARNING: Operation of this equipment and/or engine exhaust from this product contains chemicals known to the State of California to cause cancer, birth defects, and other reproductive harm.

**EXTREME DUTY
BUDDY
MORTAR MIXER**

America's Fastest & Strongest Mortar Mixers



Buddy Equipment, Inc.
4541-3 St. Augustine Rd.
Jacksonville, FL 32207
Local: (904) 398-3133 or 888-823-8819
Fax: 800-548-1333

© 2006 Buddy Equipment, Inc.
Printed in U.S.A.

SPR