



**The NEW Greenheat  
GH23 Parts Washer**

- The Parts Washer
- Designed For The
- Way You Work!

**CLEANING INNOVATION:**

The GH23 is the newest model in the Greenheat line of environmentally friendly products. The GH23 offers you several benefits that include: integrated dolly for ease of mobility, adjustable heat between 103°F or 115°F, and fluid timers that let you choose fluid shutoff intervals of 10 or 30 minutes.

- Bioremediation Technology - the natural breakdown of greases and oils
- No cradle to grave liabilities
- No flashpoint
- No VOC's
- No EPA or OSHA paperwork
- No hauling away of dirty fluids



**FEATURES AND BENEFITS:**

**WIDE SINK FOR MORE EFFICIENT WORK SPACE  
ADJUSTABLE TEMPERATURE / TIMER**

Higher temperature option combined with the new GC-7 OzzyJuice yields an impressive increase in cleaning performance.

**MOBILE DOLLY WITH FOOTSTEP**

Offers superior durability and mobility.

**12' POWER CORD**

Held by a strap which conveniently keeps the cord out of your workspace.

**ANGLED BRUSH**

Allows for cleaning of hard-to-reach areas.

**FLEXIBLE NOZZLE**

**TWO MACHINES IN ONE**

A parts washer and a brake washer.

**UNIQUE DESIGN PROVIDES  
ERGONOMIC BENEFITS**



**For More Information  
Call Toll Free:  
(877) 927-6432**

Distributed By:

**FLATWORK**  
TECHNOLOGIES

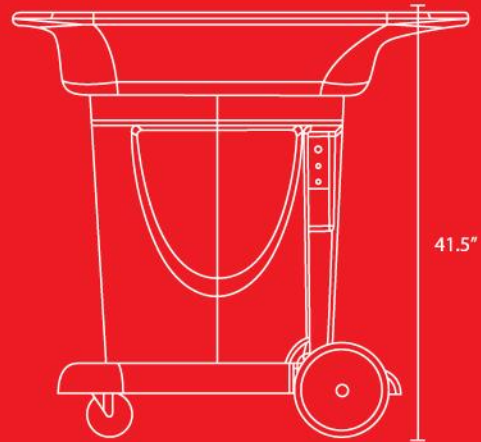
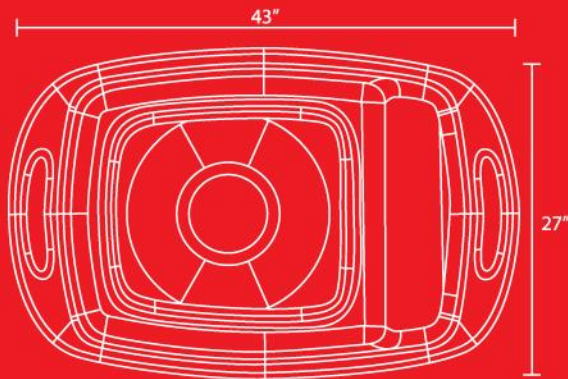
1997 South 5070 West

Salt Lake City, Utah 84104

www.flatwork.com



## GH23 PARTS WASHER:



OVERALL DIMENSIONS	43" x 27" x 42"	
INSIDE SINK DIMENSIONS	27" x 23" x 8"	
PARTS WASHER STRUCTURE	Heavy-Duty HDPE	
CONTROLS	Toggle Switch	
PUMP CAPACITY	300 gph	
TANK CAPACITY (OzzyJuice®)	20 gallons	
ADJUSTABLE THERMOSTAT	105° to 115° F	
FLOW CONTROL TIMER	10 Minutes	
STANDARD EQUIPMENT	Fixed Dolly with Footstep	
CERTIFIED	ETL (UL/CSA), CE, NSF	
GREENCLEAN GC23 START-UP KIT	Ships completely assembled, with one OzzyMat™ and four boxes of OzzyJuice®.	

Flatwork Technology guarantees it's products to be free from defect in material or craftsmanship. Please call 1.877.927.6432 for additional product information and pricing.