

# CC6571D

Liquid Cooled Walk Behind Saw

# RUN CLEAN. TIER 4 FINAL



Diesel

14" - 42" Blade Capacity

Self-Propelled Drive

## Single or Three Speed Gearbox

### Features & Benefits

- Clean and quiet Kubota® V2607 diesel engine
- Proven turbocharged 4-cylinder, 2.6L liquid-cooled engine like the CC6566D but with 71.1HP (53 kW)
- Liquid-cooled engine allows for a smoother running, longer lasting saw with higher productivity
- Strongest frame on the market
- Less rear weight for easy maneuvering and reduced operator fatigue
- One-hand sawing control and parking brake
- Fits through a 36" wide door frame (when guard is removed)
- Quick release blade shaft/flange and rear wheels
- Blade shaft tachometer that gives true blade speed where it's needed - not at the engine



Blade not included

**High Pressure Common Rail Injection, EGR, Advanced Diesel Oxidation Catalyst and Diesel Particulate Filter (DOC/DPF) Combines with Fully Electronic Controls to Optimize Combustion, Minimize Fuel Consumption and Maximize Performance in a Compact Package**

### Specifications

Blade shaft diameter:	2"
Arbor size:	1" with drive pin
Blade shaft drive:	10 belt
Blade mounting:	Right or left
Blade raise & lower:	Electro-hydraulic pump
Transmission:	Eaton model 10
Drive speed:	0-200 feet/minute
Air filter:	4 stage
Fuel capacity:	9 gallons

### Includes

Blade shaft tachometer	Hour meter
Frame lift	Telescoping front pointer
Parking brake	Cutting depth indicator
Quick disconnect blade flanges	Oil bath blade shaft



**Digital Computer Display Control Panel**  
Provides simple operation and complete access to operating and diagnostic information



See reverse side for additional information



www.Discount-Equipment.com



## CC6571D DIESEL LIQUID COOLED WALK BEHIND SAW

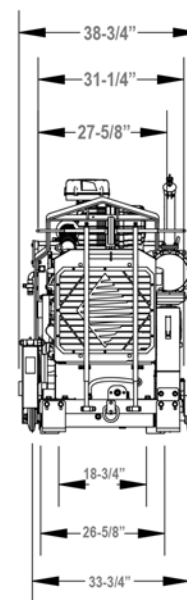
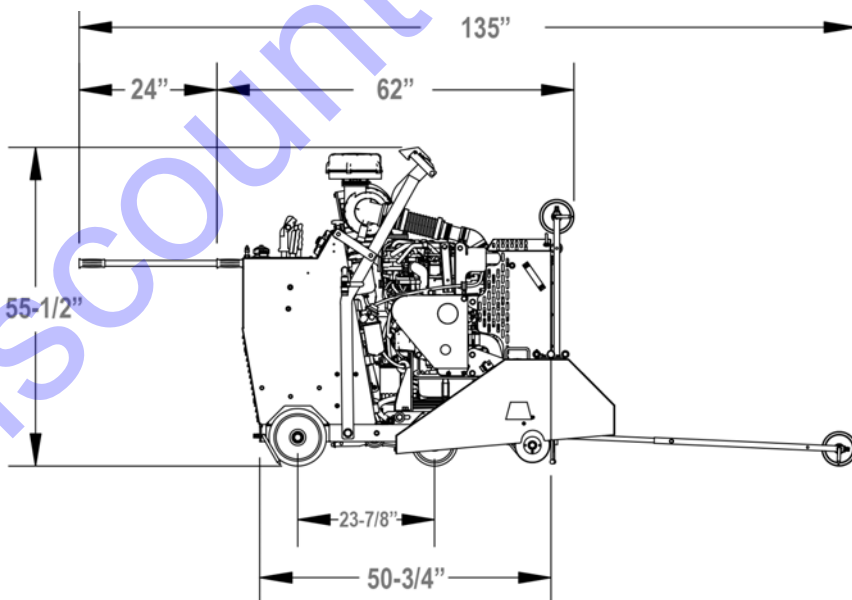
Saw Model #	Engine/Motor Make	Speeds	Engine/Motor Power	Power Source	Blade Capacity	Part #	Cat #
CC6571D-14	Kubota®	Single	71 HP	Diesel	14"	5801160	55603
CC6571D-20	Kubota®	Single	71 HP	Diesel	20"	5801161	55625
CC6571D-26	Kubota®	Single	71 HP	Diesel	26"	5801162	43504
CC6571D-30	Kubota®	Single	71 HP	Diesel	30"	5801163	54080
CC6571D-36	Kubota®	Single	71 HP	Diesel	36"	5801164	41741
CC6571D-42	Kubota®	Single	71 HP	Diesel	42"	5801165	55633
CC6571D-3-14	Kubota®	3-Speed (14"/26"/36")	71 HP	Diesel	14"	5801170	59044
CC6571D-3-20	Kubota®	3-Speed (20"/30"/42")	71 HP	Diesel	20"	5801171	55695
CC6571D-3-26	Kubota®	3-Speed (14"/26"/36")	71 HP	Diesel	26"	5801172	43503
CC6571D-3-30	Kubota®	3-Speed (20"/30"/42")	71 HP	Diesel	30"	5801173	55713
CC6571D-3-36	Kubota®	3-Speed (14"/26"/36")	71 HP	Diesel	36"	5801174	55728
CC6571D-3-42	Kubota®	3-Speed (20"/30"/42")	71 HP	Diesel	42"	5801175	55729

Horsepower and Torque as rated by the engine manufacturer.

CC6571D SINGLE SPEED RPM		
Blade Size	Blade RPM	Max Cut Depth
14"	2,700	4-1/2"
20"	2,400	7-1/2"
26"	1,950	10-1/2"
30"	1,700	11-3/4"
36"	1,400	14-3/4"
42"	1,200	17-3/4"

CC6571D 3-SPEED RPM			
Blade Size	Blade RPM	Gear Setting High, Med, Low	Max Cut Depth
14"	2,700	H	3-3/4"
20"	2,550	H	6-3/4"
26"	1,775	M	9-3/4"
30"	1,675	M	11-3/4"
36"	1,175	L	14-3/4"
42"	1,100	L	17-3/4"

CC6571D OPTIONS		
Description	Part #	Cat #
Water Safety Switch	6010522	67821
Water Pump (electric)	6011032	02506
Spot Light	6010112	02427
Lowering Speed Metering Valve	6010227	02480
Blade stacking kit - 4-1/2" flange (for blades 1-1/2" apart)	6010630A	23186
Blade spacing kit - 4-1/2" flange (for blades 2" apart)	6010631A	23187
Blade spacing kit - 4-1/2" flange (for blades 4" apart)	6010632A	16558
14" Tapered Mount Blade Guard	6010950	20011
20" Tapered Mount Blade Guard	6010952	08213
26" Tapered Mount Blade Guard	6010954	19322
30" Tapered Mount Blade Guard	6010956	20456
36" Tapered Mount Blade Guard	6010958	13375
42" Tapered Mount Blade Guard	6010960	08216



Maximum Blade Raise Height = 22-1/2"

**Parts List #: 1801998**  
**Operator Manual #: 1801999**