



PARTS LIST NO. E28712 03804

DIS-100SSK4F

PARTS LIST

Denyo Manufacturing Corp.

The logo for Discount Equipment, featuring the words 'Discount' and 'Equipment' in a bold, black font, with 'Discount' above 'Equipment'. The text is set against a background of two overlapping orange arrows pointing to the right.

**Discount
Equipment**

www.discount-equipment.com

SERIAL No. 9510000~

PARTS FINDER

**Search Website
by Part Number**



**Search Manual
Library For Parts
Manual & Lookup Part
Numbers – Purchase
or Request Quote**

Search Manuals

Enter your information to help us find the right parts manual for your machine.

* Brand:

* Model:

* Serial:

* Part Number:

SEARCH

**Can't Find Part or
Manual? Request Help
by Manufacturer,
Model & Description**

Parts Order Form

Please fill in the following information to help us find the right part for your machine.

| | |
|---------------|----------------------|
| Manufacturer: | <input type="text"/> |
| Model: | <input type="text"/> |
| Description: | <input type="text"/> |
| Part Number: | <input type="text"/> |
| Quantity: | <input type="text"/> |
| Notes: | <input type="text"/> |

Submit

Discount-Equipment.com is your online resource for quality parts & equipment.

Florida: **561-964-4949** Outside Florida TOLL FREE: **877-690-3101**

Need parts?

Click on this link: <http://www.discount-equipment.com/category/5443-parts/> and choose one of the options to help get the right parts and equipment you are looking for. Please have the machine model and serial number available in order to help us get you the correct parts. If you don't find the part on the website or on one of the online manuals, please fill out the request form and one of our experienced staff members will get back to you with a quote for the right part that your machine needs.

We sell worldwide for the brands: Genie, Terex, JLG, MultiQuip, Mikasa, Essick, Whiteman, Mayco, Toro Stone, Diamond Products, Generac Magnum, Airman, Haulotte, Barreto, Power Blanket, Nifty Lift, Atlas Copco, Chicago Pneumatic, Allmand, Miller Curber, Skyjack, Lull, Skytrak, Tsurumi, Husquvarna Target, Stow, Wacker, Sakai, Mi-T-M, Sullair, Basic, Dynapac, MBW, Weber, Bartell, Bennar Newman, Haulotte, Ditch Runner, Menegotti, Morrison, Contec, Buddy, Crown, Edco, Wyco, Bomag, Laymor, EZ Trench, Bil-Jax, F.S. Curtis, Gehl Pavers, Heli, Honda, ICS/PowerGrit, IHI, Partner, Imer, Clipper, MMD, Koshin, Rice, CH&E, General Equipment, Amida, Coleman, NAC, Gradall, Square Shooter, Kent, Stanley, Tamco, Toku, Hatz, Kohler, Robin, Wisconsin, Northrock, Oztec, Toker TK, Rol-Air, APT, Wylie, Ingersoll Rand / Doosan, Innovatech, Con X, Ammann, Mecalac, Makinex, Smith Surface Prep, Small Line, Wanco, Yanmar

HOW TO USE THE PARTS LIST

1. This parts list covers the parts for Engine Driven Compressor Model DIS-100SSK4F.
2. When placing orders, specify the following details:
 - 1) Model Number and Serial Number.
 - 2) Parts Number and Parts Name.
 - 3) Quantity required.
3. The parts listed with a serial number are new parts.
Please place an order with us after confirmation of serial number for machine at your side.
4. The sequence of this parts list is by machine structure. Each group of parts has an illustration or the first page of the parts list. Parts can be identified on the parts list, using the key number on the illustration. These key number, on the illustration, are also shown on the left-hand column in the parts list.
5. The parts number are shown as 10 digits and alphabet. The parts number of the parts makers are shown in the remark column.
6. The parts marked with an asterisk and the parts not listed are not available as a single part, and orders must be placed for them as an assembly.
7. This parts list uses the following abbreviations and symbols:

| | | | |
|-------|---|------|--|
| All | :Some parts differ from unit to unit | p. | :Page |
| Ass'y | :Assembly | Re. | :Rear |
| Fr. | :Front | R.H. | :Right |
| L.H. | :Left | STD | :Standard |
| No. | :Number | → | :Indication of the page where the modified or additional parts are listed. |
| O.P. | :Optional Parts | | |

Each symbol 「A」 「B」 「C」 listed in a part of Q'ty shows the appropriate parts number for the unit you purchased. The meaning of the symbol 「A」 「B」 「C」 is listed on the first top place of each assembly group.

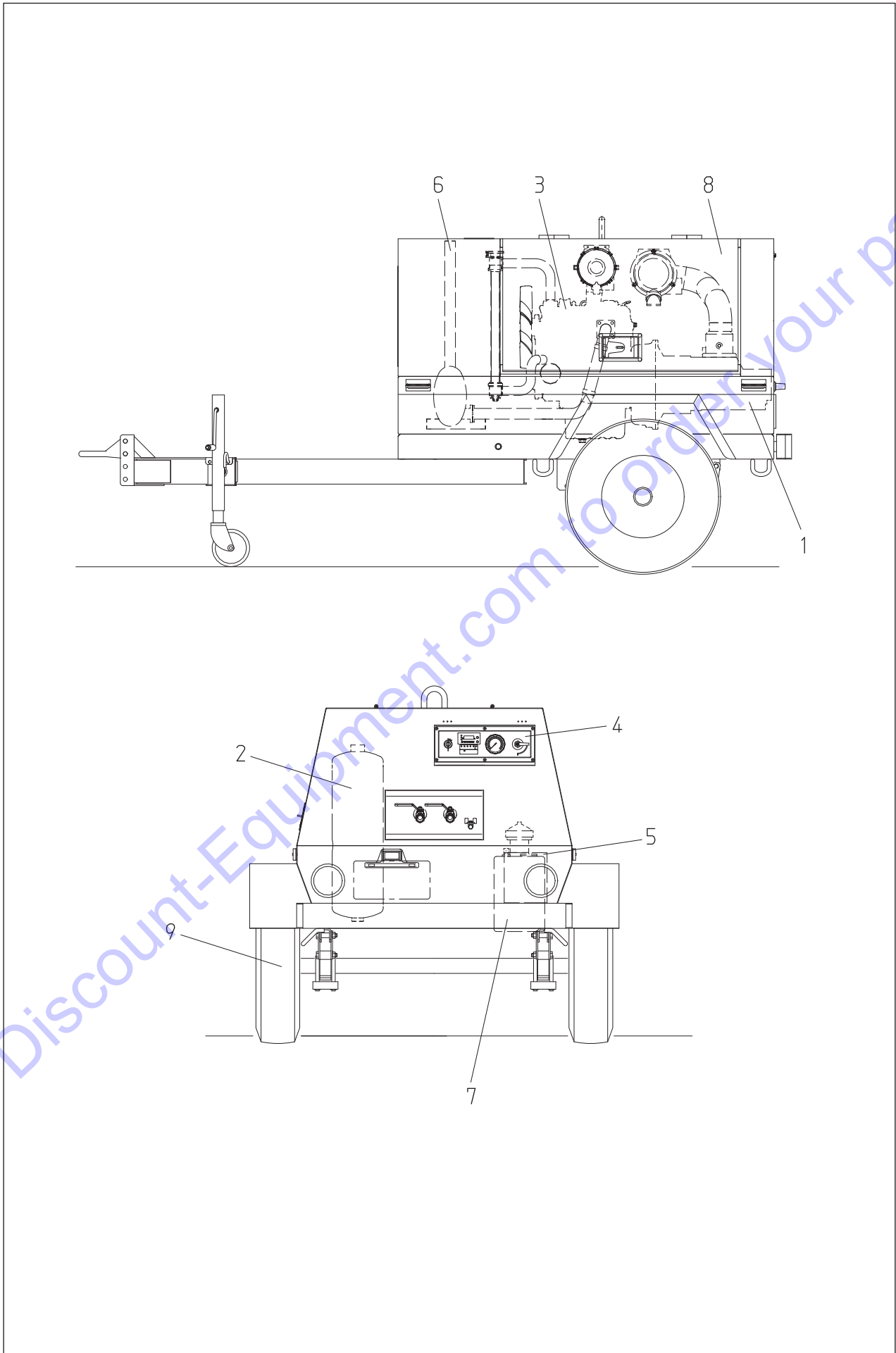
Please check the specification of the unit such as frequency, voltage, model No. etc. before placing orders.

8. Left (L.H.) and Right (R.H.) used in this parts list show the direction when you look at the engine from the air end side.
9. For the engine parts not listed in this parts list, refer to "KUBOTA corporation D1005-E4B Diesel Engine Parts Catalogue."

I N D E X

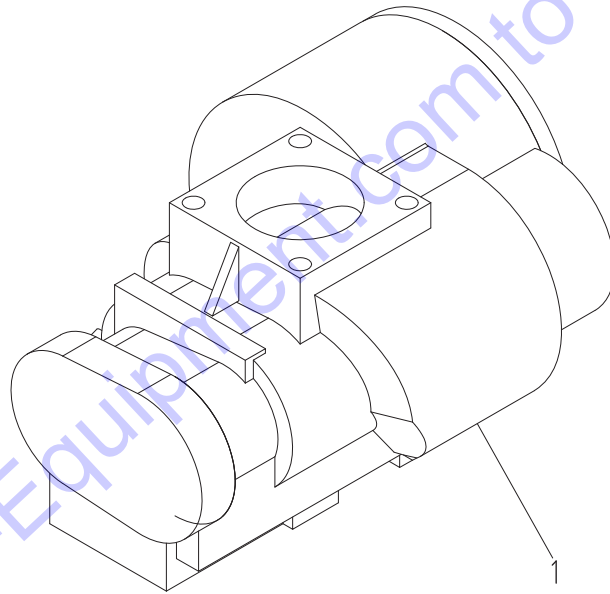
| N a m e | Page |
|-----------------------------------|--------|
| Engine Compressor Set..... | 1 - 1 |
| Air End Ass'y (Part 1)..... | 2 - 1 |
| Air End Ass'y (Part 2)..... | 3 - 1 |
| Oil Chamber Ass'y..... | 4 - 1 |
| Minimum Pressure Valve Ass'y..... | 5 - 1 |
| Speed Regulator Ass'y..... | 6 - 1 |
| Piping Ass'y (Part 1)..... | 7 - 1 |
| Bypass Thermo Valve Ass'y..... | 8 - 1 |
| Piping Ass'y (Part 2)..... | 9 - 1 |
| Engine & Radiator Ass'y..... | 10 - 1 |
| Engine Operation Ass'y..... | 11 - 1 |
| Battery Ass'y..... | 12 - 1 |
| Muffler Ass'y..... | 13 - 1 |
| Fuel Tank Ass'y..... | 14 - 1 |
| Bonnet Ass'y (Part 1)..... | 15 - 1 |
| Bonnet Ass'y (Part 2)..... | 16 - 1 |
| Bonnet Ass'y (Part 3)..... | 17 - 1 |
| Name Plate Ass'y..... | 18 - 1 |
| Trailer Ass'y..... | 19 - 1 |

Go to Discount-Equipment.com to order your parts



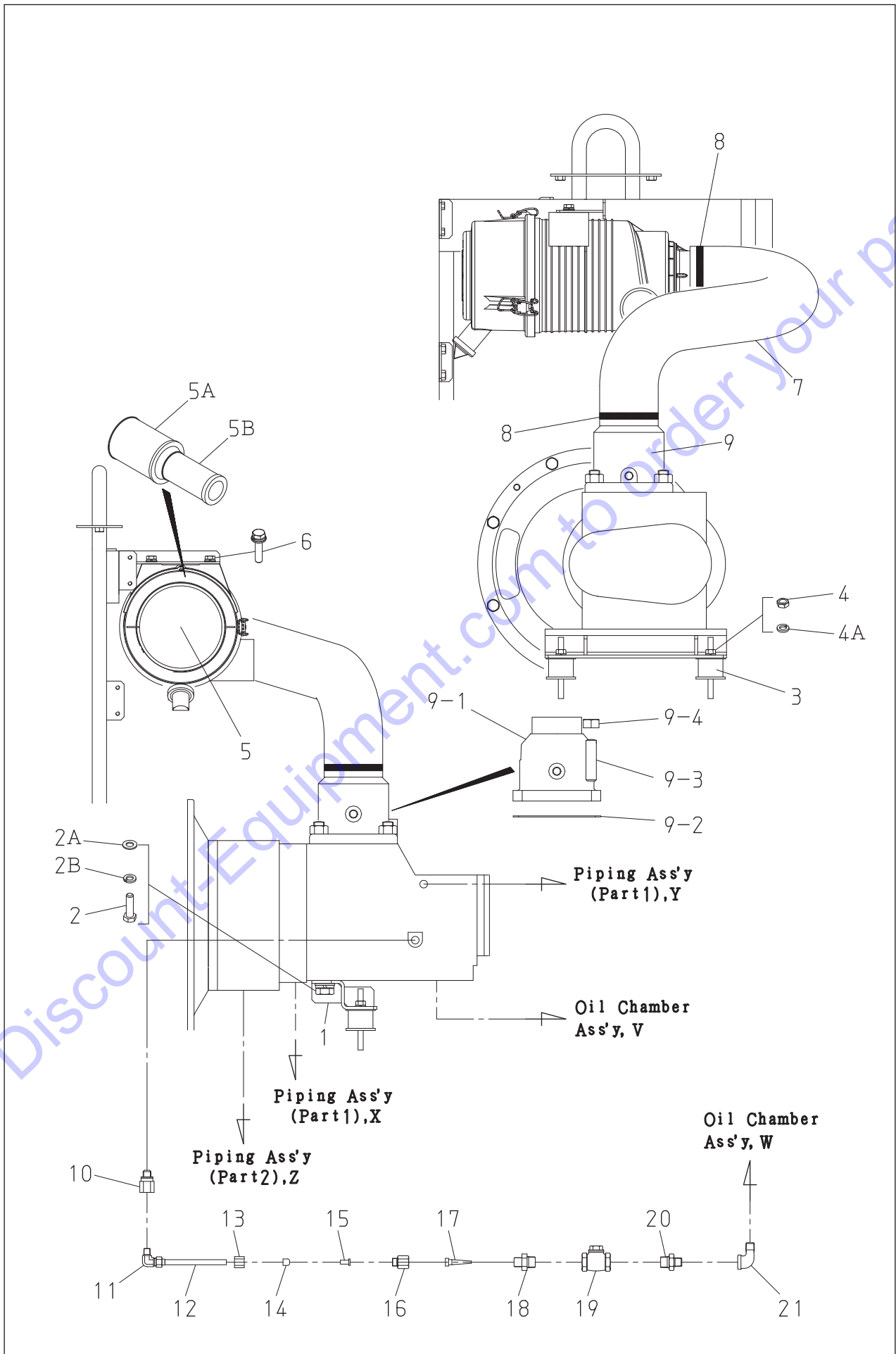
Go to Discount-Equipment.com to order your parts

| Key No. | Parts No. | Parts Name | Remarks | Q'ty | | | | Symbol | Serial No. |
|---------|---------------|------------------------------|------------------|------|---|---|---|--------|------------|
| | | | | All | A | B | C | | |
| 1 | | Air End Ass'y (Part 1) | Refer to p. 2-1 | | | | | | |
| | | Air End Ass'y (Part 2) | Refer to p. 3-1 | | | | | | |
| 2 | | Oil Chamber Ass'y | Refer to p. 4-1 | | | | | | |
| | | Minimum Pressure Valve Ass'y | Refer to p. 5-1 | | | | | | |
| | | Speed Regulator Ass'y | Refer to p. 6-1 | | | | | | |
| | | Piping Ass'y (Part 1) | Refer to p. 7-1 | | | | | | |
| | | Bypass Thermo Valve Ass'y | Refer to p. 8-1 | | | | | | |
| | | Piping Ass'y (Part 2) | Refer to p. 9-1 | | | | | | |
| | | Engine & Radiator Ass'y | Refer to p. 10-1 | | | | | | |
| 3 | | Engine Operation Ass'y | Refer to p. 11-1 | | | | | | |
| 4 | | Battery Ass'y | Refer to p. 12-1 | | | | | | |
| 5 | | Muffler Ass'y | Refer to p. 13-1 | | | | | | |
| 6 | | Fuel Tank Ass'y | Refer to p. 14-1 | | | | | | |
| 7 | | Bonnet Ass'y (Part 1) | Refer to p. 15-1 | | | | | | |
| | | Bonnet Ass'y (Part 2) | Refer to p. 16-1 | | | | | | |
| | | Bonnet Ass'y (Part 3) | Refer to p. 17-1 | | | | | | |
| | | Name Plate Ass'y | Refer to p. 18-1 | | | | | | |
| 8 | | Trailer Ass'y | Refer to p. 19-1 | | | | | | |
| | E 23550 02003 | Engine Wiring Diagram | | | | | | | |
| | E 28442 01504 | Instruction Manual | | | | | | | |



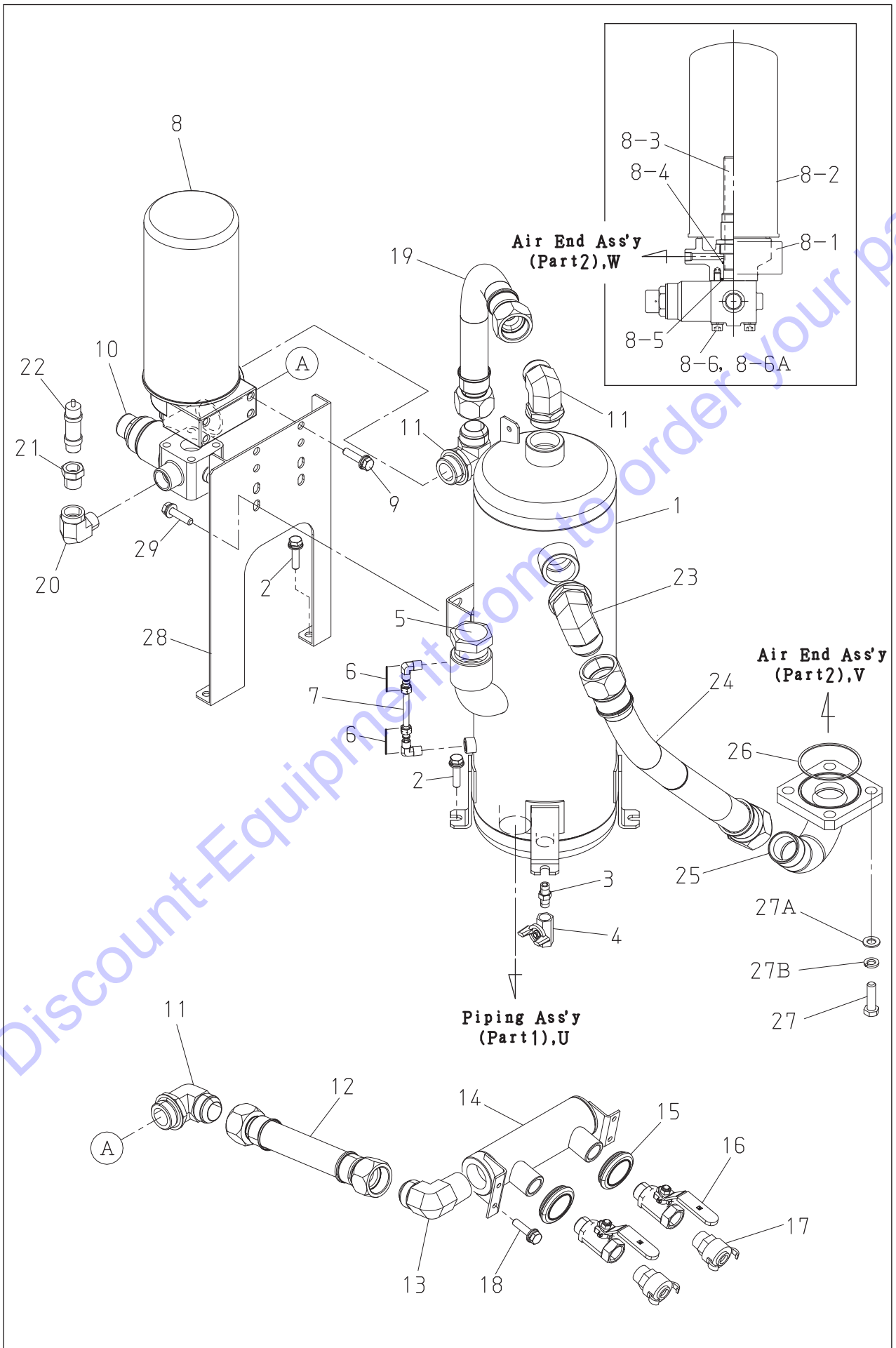
| Key No. | Parts No. | Parts Name | Remarks | Q'ty | | | | Symbol | Serial No. |
|---------|---------------|---------------|---------|------|---|---|---|--------|------------|
| | | | | All | A | B | C | | |
| 1 | E 29240 00434 | Air End Ass'y | CF75G | 1 | | | | | |

Go to Discount-Equipment.com to order your parts



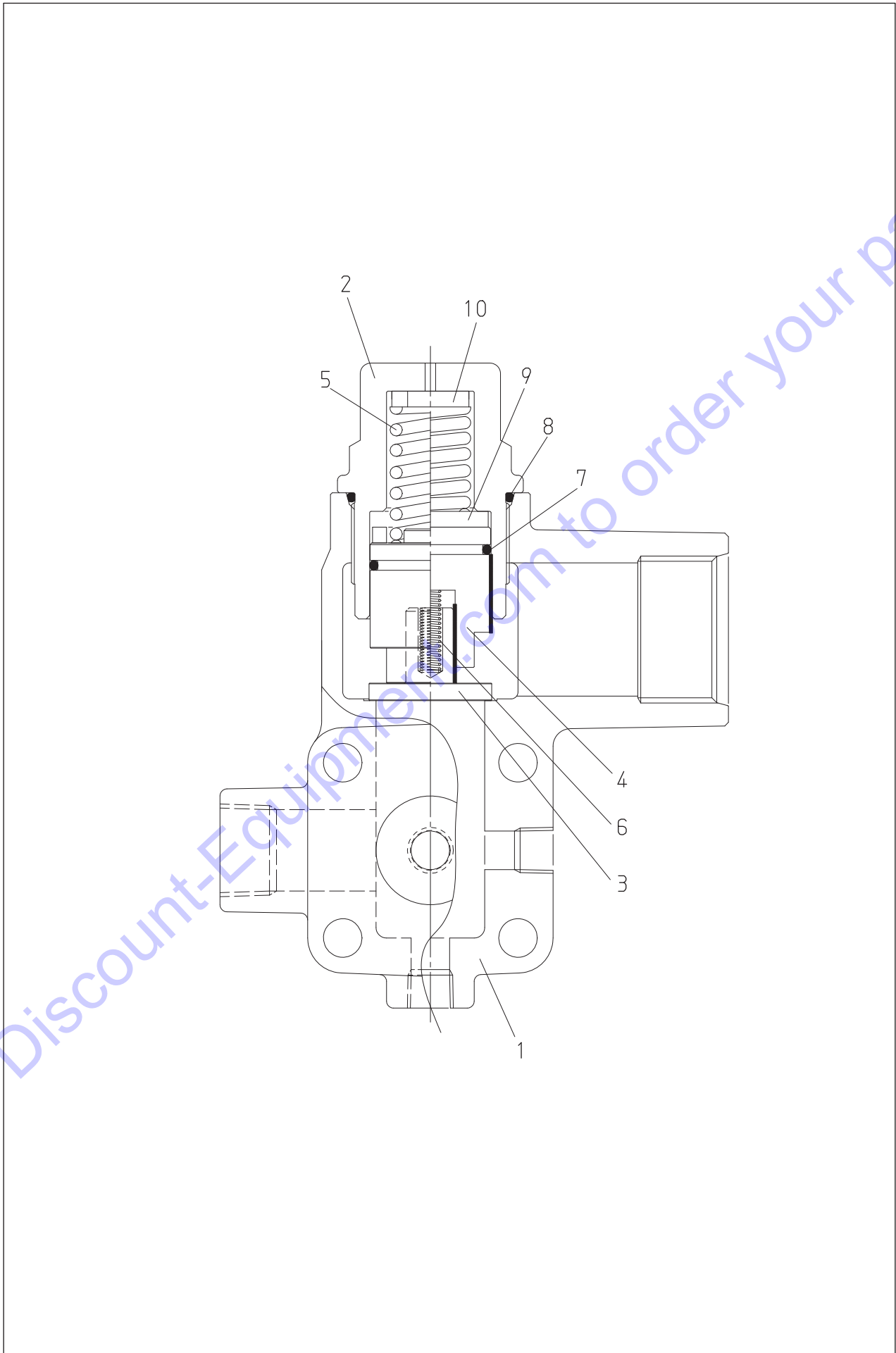
| Key No. | Parts No. | Parts Name | Remarks | Q'ty | | | | Symbol | Serial No. |
|---------|---------------|------------------------|---------------|------|---|---|---|--------|------------|
| | | | | All | A | B | C | | |
| 1 | E 21511 00804 | Airend Foot | | 1 | | | | | |
| 2 | Y 00136 16035 | Hex. Head Bolt | | 2 | | | | | |
| 2A | Y 00412 16000 | Washer | | 2 | | | | | |
| 2B | Y 00400 16000 | Spring Washer | | 2 | | | | | |
| 3 | Y 06050 00046 | Rubber Suspension | EA-4006 | 2 | | | | | |
| 4 | Y 00300 08000 | Hex. Head Nut | | 2 | | | | | |
| 4A | Y 00400 08000 | Spring Washer | | 2 | | | | | |
| 5 | Y 06020 46545 | Air Cleaner | FPG068745 | 1 | | | | | |
| 5A | Y 06020 46309 | Primary Element | P822768 | (1) | | | | | |
| 5B | Y 06020 46633 | Safety Element | P822769 | (1) | | | | | |
| 6 | Y 00169 08020 | Hex. Head Bolt | | 2 | | | | | |
| 7 | E 21415 02203 | Compressor Intake Hose | | 1 | | | | | |
| 8 | Y 06055 15146 | Hose Band | 5052 | 2 | | | | | |
| 9 | E 29240 00074 | Inlet Valve Kit | | 1 | | | | | |
| 9- 1 | Y 06030 43250 | Inlet Valve | | (1) | | | | | |
| 9- 2 | Y 06033 55011 | O Ring | | (1) | | | | | |
| 9- 3 | Y 06030 43260 | Stud Bolt | | (4) | | | | | |
| 9- 4 | Y 06030 43261 | Hex. Head Nut | | (4) | | | | | |
| 10 | E 29240 00514 | Adaptor | | 1 | | | | | |
| 11 | Y 06033 01038 | Elbow Union | L4N8X6-NPT1/8 | 1 | | | | | |
| | Y 06033 03021 | Nut | | 1 | | | | | |

| Key No. | Parts No. | Parts Name | Remarks | Q'ty | | | | Symbol | Serial No. |
|---------|---------------|-----------------|---------|------|---|---|---|--------|------------|
| | | | | All | A | B | C | | |
| | Y 06033 02021 | Sleeve | | 1 | | | | | |
| 12 | Y 01904 00550 | Nylon Tube | | 1 | | | | | |
| 13 | Y 06033 03001 | Nut | | 1 | | | | | |
| 14 | Y 06033 02001 | Sleeve | | 1 | | | | | |
| 15 | Y 06033 04000 | Insert | | 1 | | | | | |
| 16 | W 60132 17004 | Socket Nipple | | 1 | | | | | |
| 17 | W 61432 16004 | Filter | | 1 | | | | | |
| 18 | W 60132 15004 | Nipple | | 1 | | | | | |
| 19 | Y 01203 04005 | Check Valve | | 1 | | | | | |
| 20 | Y 01316 04020 | Reducing Nipple | 3/8×1/4 | 1 | | | | | |
| 21 | Y 01302 02000 | Street Elbow | 1/4 | 1 | | | | | |



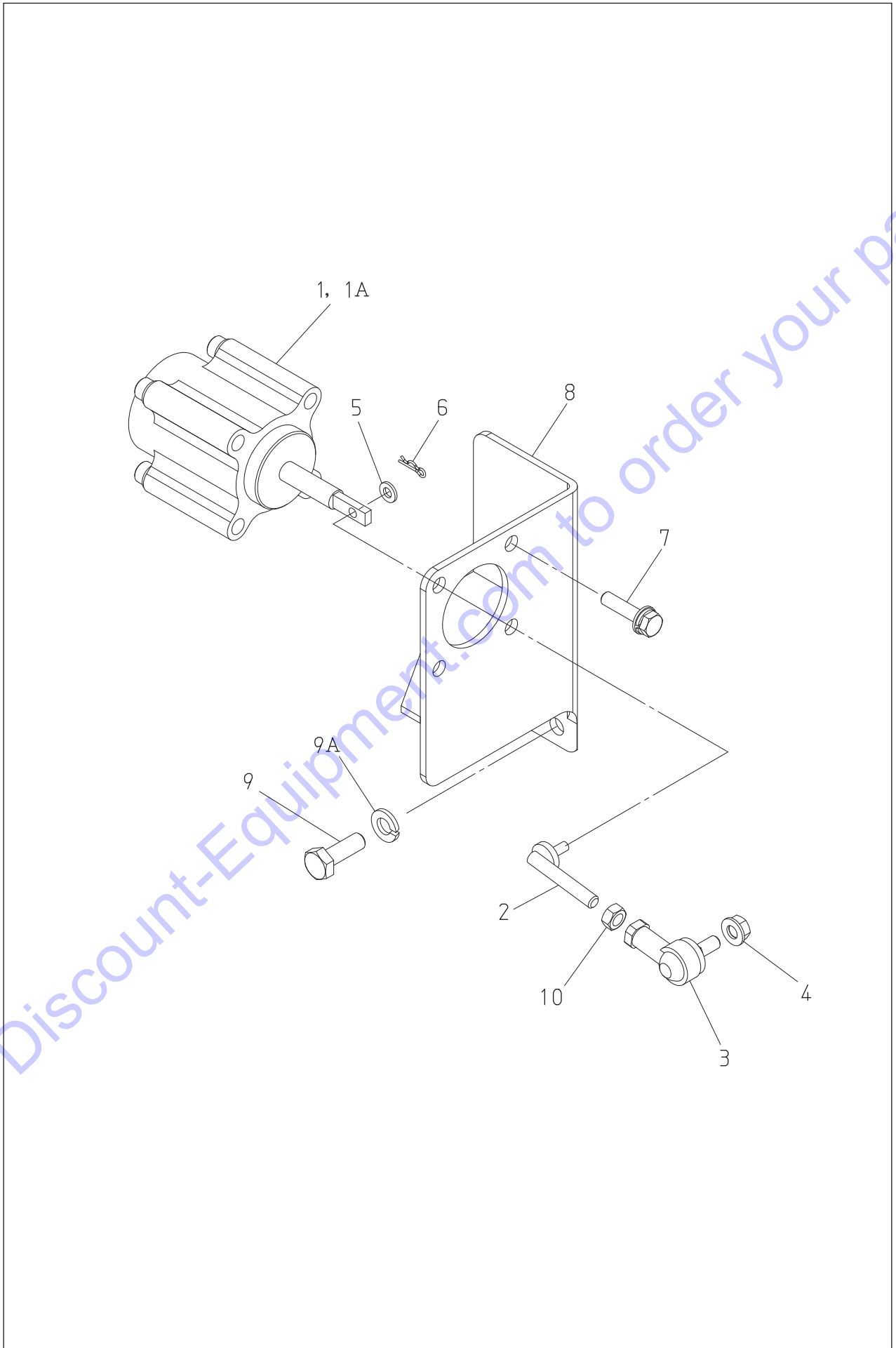
| Key No. | Parts No. | Parts Name | Remarks | Q'ty | | | | Symbol | Serial No. |
|---------|---------------|------------------------------|-----------------|------|---|---|---|--------|------------|
| | | | | All | A | B | C | | |
| 1 | E 26240 01902 | Air Receiver | | 1 | | | | | |
| 2 | Y 00171 10030 | Hex. Head Bolt | | 6 | | | | | |
| 3 | Y 06033 06384 | Pipe Nipple | | 1 | | | | | |
| 4 | Y 06033 25037 | Mini Ball Valve | MV609-6 | 1 | | | | | |
| 5 | Y 06033 06761 | O Ring Plug | 24P50N | 1 | | | | | |
| 6 | Y 06033 01039 | Elbow Union | L4N8 × 6-NPT1/4 | 2 | | | | | |
| | Y 06033 02021 | Sleeve | | 2 | | | | | |
| | Y 06033 03021 | Nut | | 2 | | | | | |
| 7 | Y 01904 00130 | Nylon Tube | | 1 | | | | | |
| 8 | E 26210 01403 | Air Separator Ass'y | | 1 | | | | | |
| 8- 1 | E 26242 00202 | Element Base | | 1 | | | | | |
| 8- 2 | E 29240 00214 | Air Oil Separator Box | 49 316 58 521 | 1 | | | | | |
| 8- 3 | E 29240 00224 | Nipple VST | 21 042 15 991 | 1 | | | | | |
| 8- 4 | Y 01555 00123 | O Ring | SA568-123 | 1 | | | | | |
| 8- 5 | Y 01555 00218 | O Ring | SA568-218 | 1 | | | | | |
| 8- 6 | Y 00182 10080 | Hex. Socket Head Cap Screw | | 4 | | | | | |
| 8- 6A | Y 00400 10000 | Spring Washer | | 4 | | | | | |
| 9 | Y 00169 10025 | Hex. Head Bolt | | 4 | | | | | |
| 10 | E 26310 02203 | Minimum Pressure Valve Ass'y | Refer to P.5-1 | 1 | | | | | |
| 11 | Y 06033 06462 | Straight Thread Elbow | 20C50X | 3 | | | | | |
| 12 | E 26042 05004 | Air Hose | | 1 | | | | | |

| Key No. | Parts No. | Parts Name | Remarks | Q'ty | | | | Symbol | Serial No. |
|---------|---------------|-----------------------|---------------|------|---|---|---|--------|------------|
| | | | | All | A | B | C | | |
| 13 | Y 06033 06478 | Male Elbow | 20CTX | 1 | | | | | |
| 14 | E 26071 04803 | Air Manifold | | 1 | | | | | |
| 15 | Y 06018 51774 | Grommet | C-30-SG-52A | 2 | | | | | |
| 16 | Y 06033 25034 | Ball Valve | XVV501P | 2 | | | | | |
| 17 | Y 06033 14110 | Universal Fitting | 0400580 | 2 | | | | | |
| 18 | Y 00192 08020 | Hex. Head Bolt | | 4 | | | | | |
| 19 | E 26042 03204 | Air Hose | | 1 | | | | | |
| 20 | Y 06033 06236 | Street Elbow | 3/4 CD | 1 | | | | | |
| 21 | Y 06033 06888 | Pipe Thread Reducer | 3/4 x 1/2 PTR | 1 | | | | | |
| 22 | E 29240 00534 | Safety & Relief Valve | SRV-390 | 1 | | | | | |
| 23 | Y 06030 06463 | Straight Thread Elbow | 24C50X | 1 | | | | | |
| 24 | E 26042 04904 | Discharge Hose | | 1 | | | | | |
| 25 | E 26072 01403 | Discharge Pipe | | 1 | | | | | |
| 26 | Y 01555 00236 | O Ring | AS568-236 | 1 | | | | | |
| 27 | Y 00136 16040 | Hex. Head Bolt | | 4 | | | | | |
| 27A | Y 00400 16000 | Washer | | 4 | | | | | |
| 27B | Y 00412 16000 | Spring Washer | | 4 | | | | | |
| 28 | E 24840 01104 | Supprt Leg | | 1 | | | | | |
| 29 | Y 00169 10025 | Hex. Head Bolt | | 4 | | | | | |

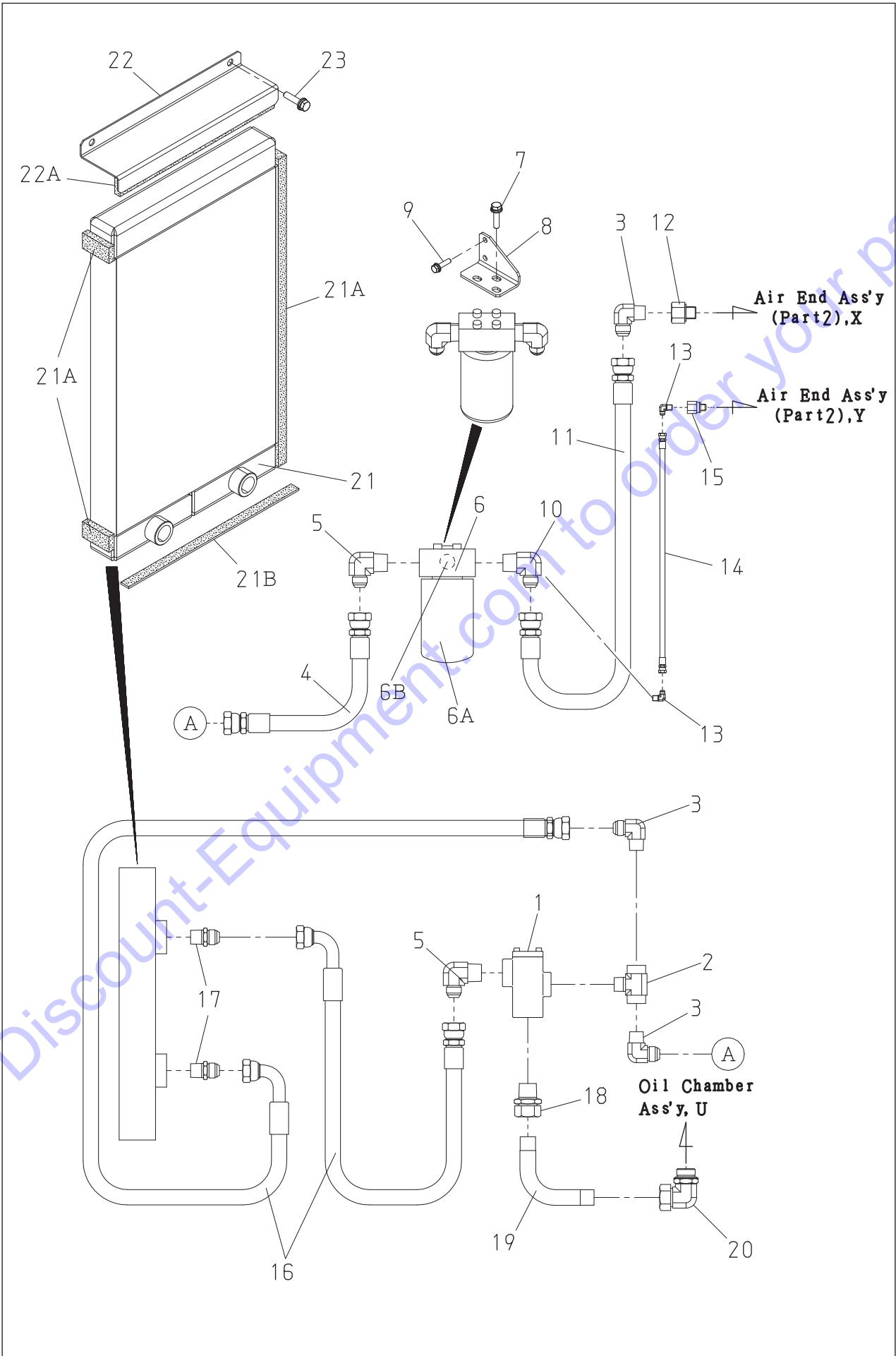


| Key No. | Parts No. | Parts Name | Remarks | Q'ty | | | | Symbol | Serial No. |
|---------|---------------|-----------------------------|------------|------|---|---|---|--------|------------|
| | | | | All | A | B | C | | |
| 1 | E 26242 00302 | Minimum Pressure Valve Body | | 1 | | | | | |
| 2 | E 26310 02104 | Cover | | 1 | | | | | |
| 3 | E 26310 01204 | Valve | | 1 | | | | | |
| 4 | E 26310 01104 | Piston | | 1 | | | | | |
| 5 | E 92013 00004 | Spring | | 1 | | | | | |
| 6 | E 92013 00104 | Spring | | 1 | | | | | |
| 7 | Y 01556 00123 | O Ring | SA-568-123 | 1 | | | | | |
| 8 | Y 01555 00132 | O Ring | SA-568-132 | 1 | | | | | |
| 9 | E 26148 04604 | Spacer | | 1 | | | | | |
| 10 | E 26148 04704 | Spacer | | 1 | | | | | |

Go to Discount-Equipment.com to order your parts

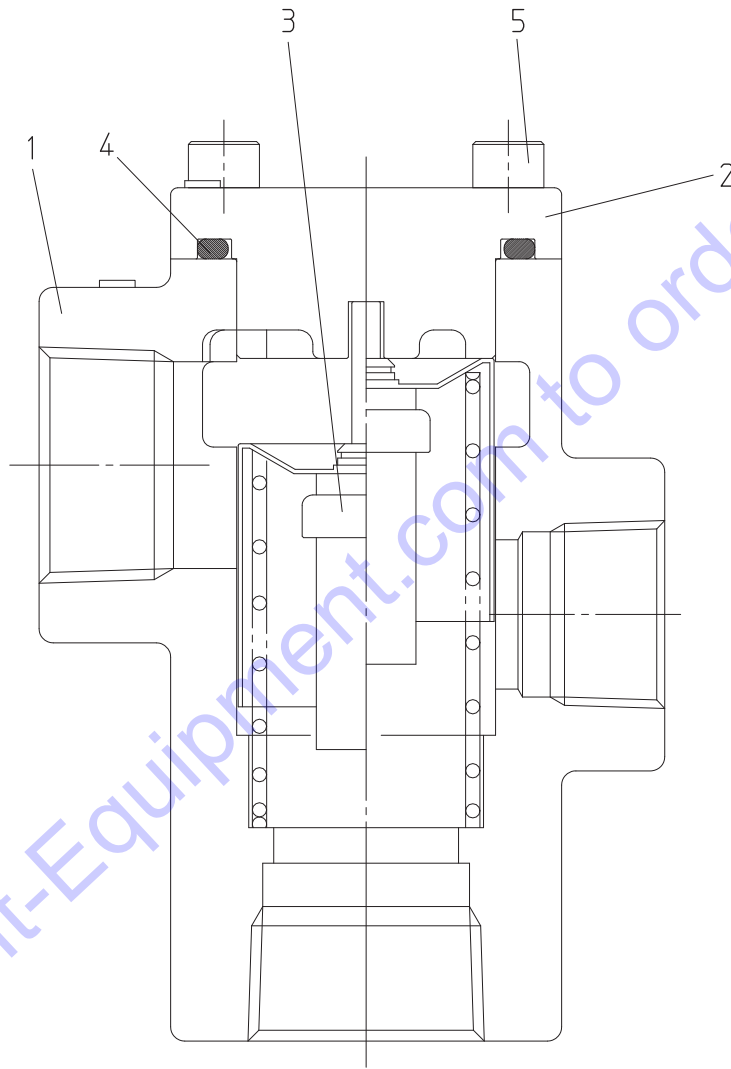


| Key No. | Parts No. | Parts Name | Remarks | Q'ty | | | | Symbol | Serial No. |
|---------|---------------|-----------------|-----------------------|------|---|---|---|--------|------------|
| | | | | All | A | B | C | | |
| 1 | E 29241 00504 | Speed Regulator | FCS-DNYK-50-21-S | 1 | | | | | |
| 1A | Y 06034 00004 | Bellofram | DM1-50-40 -T3NN501 | (1) | | | | | |
| 2 | E 22113 00604 | Governor Rod | | 1 | | | | | |
| 3 | Y 06021 80106 | Ball Joint | LHSA8 DE161 | 1 | | | | | |
| 4 | Y 02070 06000 | Hex. Nut | | 1 | | | | | |
| 5 | Y 00412 06000 | Plain Washer | | 1 | | | | | |
| 6 | Y 06050 10502 | Snap Pin | SSP-6 | 1 | | | | | |
| 7 | Y 00169 08025 | Hex. Head Bolt | | 4 | | | | | |
| 8 | E 22111 00604 | Bracket | | 1 | | | | | |
| 9 | Y 00107 10020 | Hex. Head Bolt | | 4 | | | | | |
| 9A | Y 00400 10000 | Spring Washer | | 4 | | | | | |
| 10 | Y 00300 08000 | Hex. Nut | | 1 | | | | | |



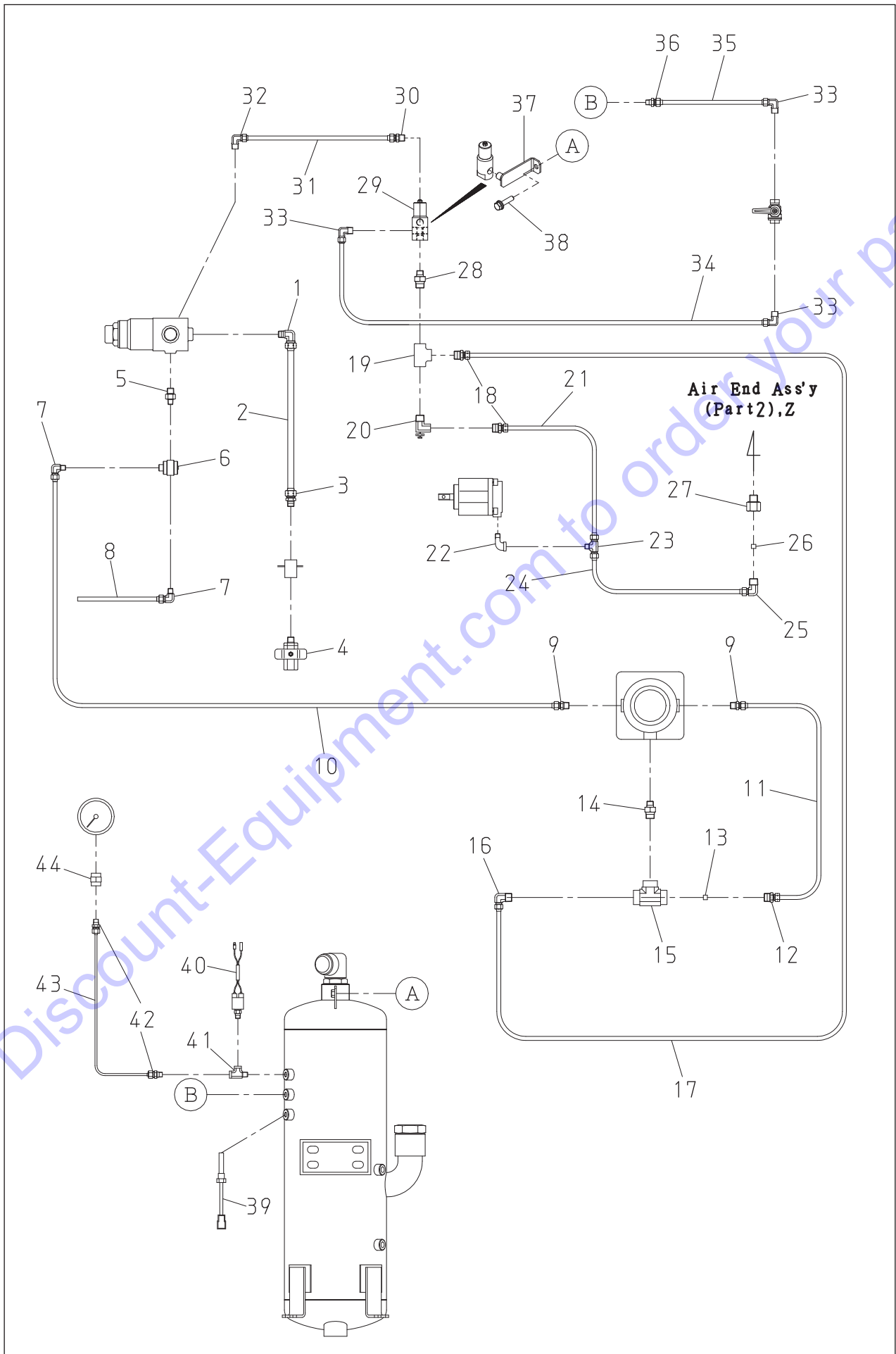
| Key No. | Parts No. | Parts Name | Remarks | Q'ty | | | | Symbol | Serial No. |
|---------|---------------|---------------------------|-----------------|------|---|---|---|--------|------------|
| | | | | All | A | B | C | | |
| 1 | E 26248 00603 | Bypass Thermo Valve Ass'y | Refer to P. 8-1 | 1 | | | | | |
| 2 | Y 06033 06689 | Male Branch Tee | 3/4MMS | 1 | | | | | |
| 3 | Y 06033 06464 | Male Elbow | 12CTX | 3 | | | | | |
| 4 | E 26042 03604 | Oil Hose | | 1 | | | | | |
| 5 | Y 06033 06465 | Male Elbow | 12-16CTX | 2 | | | | | |
| 6 | E 29240 00344 | Oil Filter | K046119 | 1 | | | | | |
| 6A | E 29240 00354 | Oil Filter Element | P576166 | (1) | | | | | |
| 6B | Y 06033 10240 | Indicator | P162400 | (1) | | | | | |
| 7 | Y 00171 10020 | Hex. Head Bolt | | 3 | | | | | |
| 8 | E 26148 04304 | Bracket, oil filter | | 1 | | | | | |
| 9 | Y 00169 08020 | Hex. Head Bolt | | 2 | | | | | |
| 10 | E 26148 04404 | Male Elbow | | 1 | | | | | |
| 11 | E 26042 04704 | Oil Hose | | 1 | | | | | |
| 12 | E 29240 00504 | Adapter | | 1 | | | | | |
| 13 | Y 06033 06477 | Male Elbow | 4CTX | 2 | | | | | |
| 14 | E 26042 04804 | Oil Hose | | 1 | | | | | |
| 15 | E 29240 00514 | Adapter | | 1 | | | | | |
| 16 | E 26042 04404 | Oil Hose | | 2 | | | | | |
| 17 | Y 06033 06382 | Male Connector | 12FTX | 2 | | | | | |
| 18 | Y 06033 20048 | Male Connector | GE28L1NPT | 1 | | | | | |
| 19 | E 26042 03804 | Oil Pipe | | 1 | | | | | |

| Key No. | Parts No. | Parts Name | Remarks | Q'ty | | | | Symbol | Serial No. |
|---------|---------------|--------------------------|---------|------|---|---|---|--------|------------|
| | | | | All | A | B | C | | |
| 20 | Y 06033 20059 | Adjustable Locknut Elbow | WEE28L | 1 | | | | | |
| 21 | E 29242 00444 | Oil Cooler | RS-8429 | 1 | | | | | |
| 21A | E 24942 06504 | Acoustic Sheet | | 1 | | | | | |
| 21B | Y 03149 00320 | Rubber Seal | | 1 | | | | | |
| 22 | E 23141 01604 | Oil Cooler Bracket | | 1 | | | | | |
| 22A | Y 02221 00290 | Seal Rubber | | 1 | | | | | |
| 23 | Y 00169 08020 | Hex. Head Bolt | | 2 | | | | | |



| Key No. | Parts No. | Parts Name | Remarks | Q'ty | | | | Symbol | Serial No. |
|---------|---------------|----------------------------|-----------|------|---|---|---|--------|------------|
| | | | | All | A | B | C | | |
| 1 | E 26248 00403 | Bypass Thermo Valve Body | | 1 | | | | | |
| 2 | E 26248 00504 | Cover | | 1 | | | | | |
| 3 | E 29241 00384 | Compressor Oil Thermostat | TC402571Z | 1 | | | | | |
| 4 | Y 01555 00223 | O Ring | AS568-223 | 1 | | | | | |
| 5 | Y 00182 06020 | Hex. Socket Head Cap Screw | | 4 | | | | | |

Go to Discount-Equipment.com to order your parts



| Key No. | Parts No. | Parts Name | Remarks | Q'ty | | | | Symbol | Serial No. |
|---------|---------------|-----------------|-----------------|------|---|---|---|--------|------------|
| | | | | All | A | B | C | | |
| 1 | Y 06033 01044 | Elbow Union | L4N12×9-NPT1/4 | 1 | | | | | |
| | Y 06033 02022 | Sleeve | | 1 | | | | | |
| | Y 06033 03022 | Nut | | 1 | | | | | |
| 2 | Y 01908 00760 | Nylon Tube | | 1 | | | | | |
| 3 | Y 06033 00093 | Half Union | C4N12×9-NPT1/4 | 1 | | | | | |
| | Y 06033 02022 | Sleeve | | 1 | | | | | |
| | Y 06033 03022 | Nut | | 1 | | | | | |
| 4 | Y 06033 25131 | Ball Valve | XV501P-4-04 1/4 | 1 | | | | | |
| 5 | Y 01316 02000 | Reducing Nipple | | 1 | | | | | |
| 6 | Y 06033 24283 | Pilot Valve | 125A-25WY | 1 | | | | | |
| 7 | Y 06033 01031 | Elbow Union | L4N8×6-PT1/8 | 2 | | | | | |
| | Y 06033 02021 | Sleeve | | 2 | | | | | |
| | Y 06033 03021 | Nut | | 2 | | | | | |
| 8 | Y 01907 00700 | Nylon Tube | | 1 | | | | | |
| 9 | Y 06033 00049 | Half Union | C4N8×6-NPT1/4 | 2 | | | | | |
| | Y 06033 02021 | Sleeve | | 2 | | | | | |
| | Y 06033 03021 | Nut | | 2 | | | | | |
| 10 | Y 01907 00400 | Nylon Tube | | 1 | | | | | |
| 11 | Y 01907 00260 | Nylon Tube | | 1 | | | | | |
| 12 | E 26148 04804 | Mod. Connector | C4N8×6-PT3/8 | 1 | | | | | |
| 13 | E 26100 00104 | Orifice Plug | | 1 | | | | | |

| Key No. | Parts No. | Parts Name | Remarks | Q'ty | | | | Symbol | Serial No. |
|---------|---------------|----------------------|-----------------|------|---|---|---|--------|------------|
| | | | | All | A | B | C | | |
| 14 | Y 06033 06377 | Reducing Nipple | 3/8 × 1/4 FF | 1 | | | | | |
| 15 | Y 06033 06685 | Tee | 3/8 MMO | 1 | | | | | |
| 16 | Y 06033 01061 | Elbow Union | L4N8 × 6-NPT3/8 | 1 | | | | | |
| | Y 06033 02021 | Sleeve | | 1 | | | | | |
| | Y 06033 03021 | Nut | | 1 | | | | | |
| 17 | Y 02611 00530 | Nylon Tube | | 1 | | | | | |
| 18 | Y 06033 00043 | Half Union | C4N8 × 6-PT3/8 | 2 | | | | | |
| | Y 06033 02021 | Sleeve | | 2 | | | | | |
| | Y 06033 03021 | Nut | | 2 | | | | | |
| 19 | Y 01304 04000 | Tee | 3/8 | 1 | | | | | |
| 20 | Y 06033 24157 | Speed Control Valve | AS3200-03 PT3/8 | 1 | | | | | |
| 21 | Y 02611 00870 | Nylon Tube | | 1 | | | | | |
| 22 | Y 01302 00000 | Street Elbow | 1/8 | 1 | | | | | |
| 23 | Y 06033 06650 | T Union | T4N8 × 6-PT1/8 | 1 | | | | | |
| | Y 06033 02021 | Sleeve | | 2 | | | | | |
| | Y 06033 03021 | Nut | | 2 | | | | | |
| 24 | Y 02611 00400 | Nylon Tube | | 1 | | | | | |
| 25 | E 26148 03504 | Mod. Elbow Connector | L4N8 × 6-NPT3/8 | 1 | | | | | |
| 26 | E 26100 00204 | Orifice Plug | | 1 | | | | | |
| 27 | E 29240 00524 | Adapter | | 1 | | | | | |
| 28 | Y 01316 04020 | Reducing Nipple | 3/8 × 1/4 | 1 | | | | | |

| Key No. | Parts No. | Parts Name | Remarks | Q'ty | | | | Symbol | Serial No. |
|---------|---------------|-----------------------------------|-------------------|------|---|---|---|--------|------------|
| | | | | All | A | B | C | | |
| 29 | Y 06033 24155 | Pressure Regulator Valve | ARV-DNYK-001B 1/4 | 1 | | | | | |
| 30 | Y 06033 00042 | Half Union | C4N8 × 6-PT1/4 | 1 | | | | | |
| | Y 06033 02021 | Sleeve | | 1 | | | | | |
| | Y 06033 03021 | Nut | | 1 | | | | | |
| 31 | Y 02613 00600 | Nylon Tube | | 1 | | | | | |
| 32 | Y 06033 01039 | Elbow Union | L4N8 × 6-NPT1/4 | 1 | | | | | |
| | Y 06033 02021 | Sleeve | | 1 | | | | | |
| | Y 06033 03021 | Nut | | 1 | | | | | |
| 33 | Y 06033 01032 | Elbow Union | L4N8 × 6-PT1/4 | 3 | | | | | |
| | Y 06033 02021 | Sleeve | | 3 | | | | | |
| | Y 06033 03021 | Nut | | 3 | | | | | |
| 34 | Y 02613 00850 | Nylon Tube | | 1 | | | | | |
| 35 | Y 02613 00700 | Nylon Tube | | 1 | | | | | |
| 36 | Y 06033 00048 | Half Union | C4N8 × 6-NPT1/8 | 1 | | | | | |
| | Y 06033 02021 | Sleeve | | 1 | | | | | |
| | Y 06033 03021 | Nut | | 1 | | | | | |
| 37 | E 26112 00404 | Bracket, pressure regulator valve | | 1 | | | | | |
| 38 | Y 00169 08020 | Hex. Head Bolt | | 1 | | | | | |
| 39 | Y 06032 10230 | Temperature Sensor | TEK-84N027 | 1 | | | | | |
| 40 | Y 06022 10090 | Residual Pressure Switch | LCB-MB06 | 1 | | | | | |
| 41 | Y 06033 06684 | Male Run Tee | 1/8 MRO | 1 | | | | | |

| Key No. | Parts No. | Parts Name | Remarks | Q'ty | | | | Symbol | Serial No. |
|---------|---------------|---------------|-----------------|------|---|---|---|--------|------------|
| | | | | All | A | B | C | | |
| 42 | Y 06033 00061 | Half Union | C4N4 × 3-NPT1/8 | 2 | | | | | |
| | Y 06033 02020 | Sleeve | | 2 | | | | | |
| | Y 06033 03020 | Nut | | 2 | | | | | |
| 43 | Y 01906 00650 | Nylon Tube | | 1 | | | | | |
| 44 | Y 06033 07681 | Pipe Coupling | 1/4 × 1/8 | 1 | | | | | |

PARTS FINDER

**Search Website
by Part Number**



**Search Manual
Library For Parts
Manual & Lookup Part
Numbers – Purchase
or Request Quote**

Search Manuals

Enter your information to help us find the right parts manual for your machine.

* Brand:

* Model:

* Serial:

* Part Number:

SEARCH

**Can't Find Part or
Manual? Request Help
by Manufacturer,
Model & Description**

Parts Order Form

Please fill in the following information to help us find the right part for your machine.

| | |
|---------------|----------------------|
| Manufacturer: | <input type="text"/> |
| Model: | <input type="text"/> |
| Description: | <input type="text"/> |
| Part Number: | <input type="text"/> |
| Quantity: | <input type="text"/> |
| Notes: | <input type="text"/> |

Submit

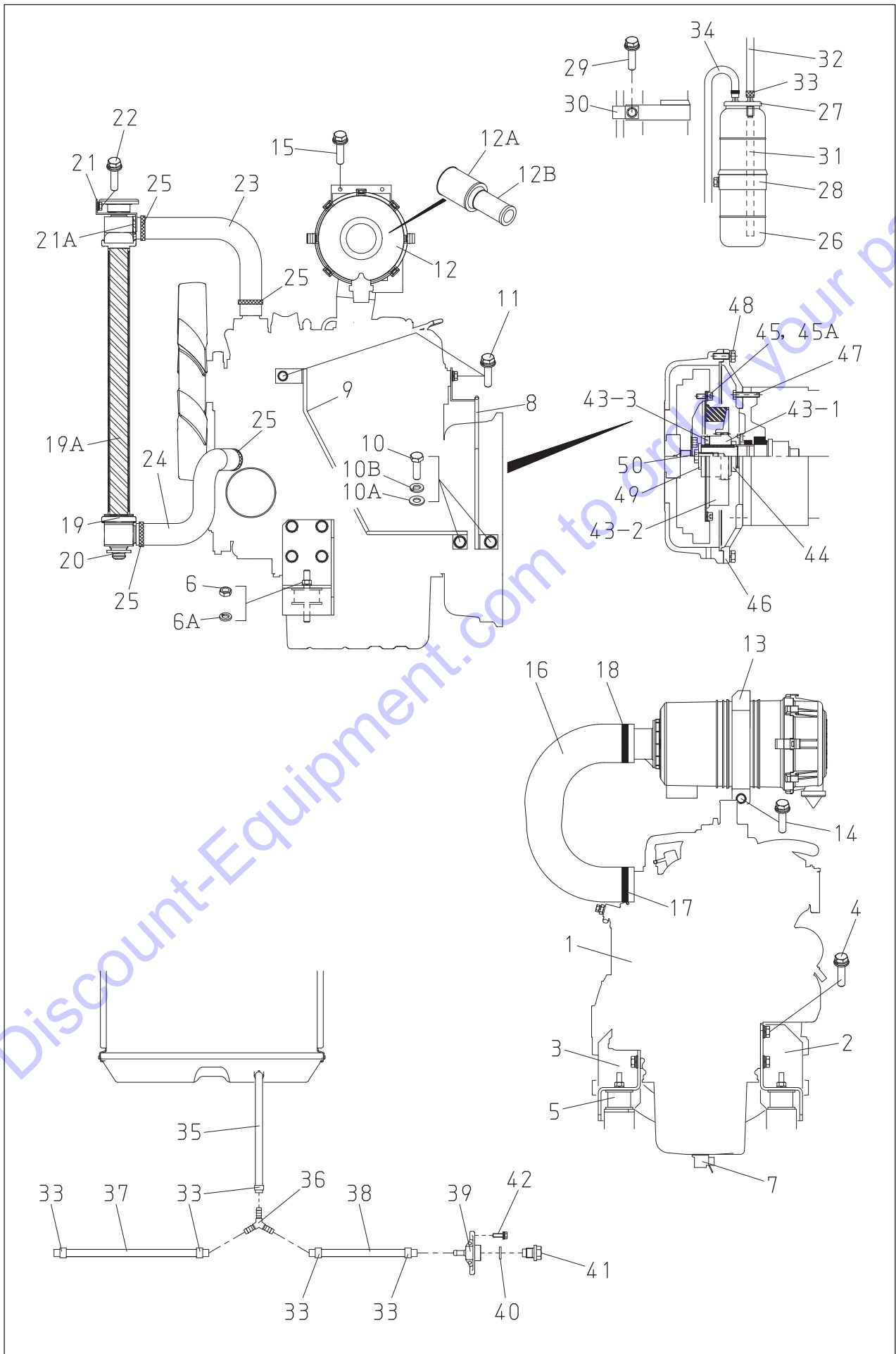
Discount-Equipment.com is your online resource for quality parts & equipment.

Florida: **561-964-4949** Outside Florida TOLL FREE: **877-690-3101**

Need parts?

Click on this link: <http://www.discount-equipment.com/category/5443-parts/> and choose one of the options to help get the right parts and equipment you are looking for. Please have the machine model and serial number available in order to help us get you the correct parts. If you don't find the part on the website or on one of the online manuals, please fill out the request form and one of our experienced staff members will get back to you with a quote for the right part that your machine needs.

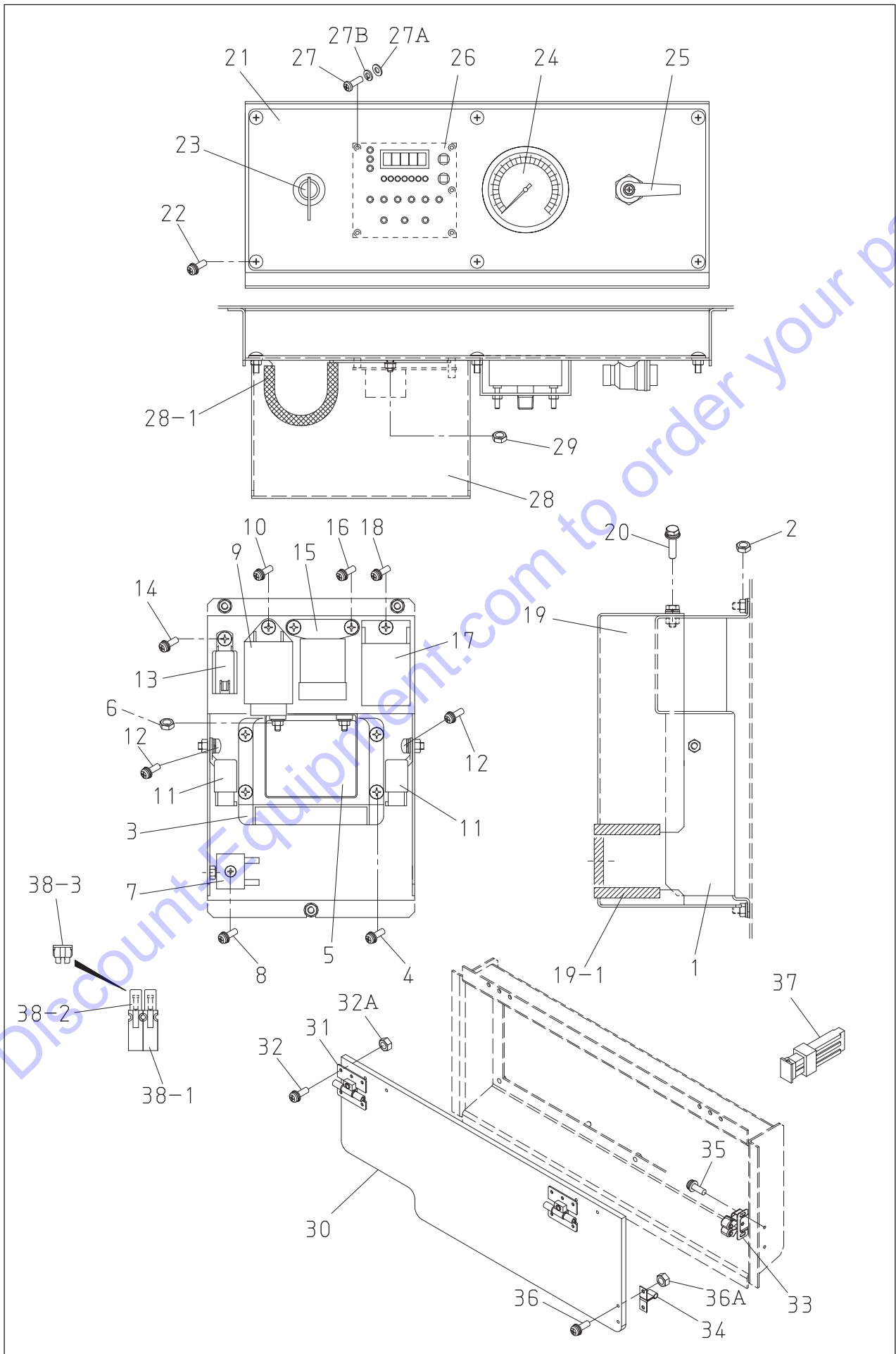
We sell worldwide for the brands: Genie, Terex, JLG, MultiQuip, Mikasa, Essick, Whiteman, Mayco, Toro Stone, Diamond Products, Generac Magnum, Airman, Haulotte, Barreto, Power Blanket, Nifty Lift, Atlas Copco, Chicago Pneumatic, Allmand, Miller Curber, Skyjack, Lull, Skytrak, Tsurumi, Husquvarna Target, Stow, Wacker, Sakai, Mi-T-M, Sullair, Basic, Dynapac, MBW, Weber, Bartell, Bennar Newman, Haulotte, Ditch Runner, Menegotti, Morrison, Contec, Buddy, Crown, Edco, Wyco, Bomag, Laymor, EZ Trench, Bil-Jax, F.S. Curtis, Gehl Pavers, Heli, Honda, ICS/PowerGrit, IHI, Partner, Imer, Clipper, MMD, Koshin, Rice, CH&E, General Equipment, Amida, Coleman, NAC, Gradall, Square Shooter, Kent, Stanley, Tamco, Toku, Hatz, Kohler, Robin, Wisconsin, Northrock, Oztec, Toker TK, Rol-Air, APT, Wylie, Ingersoll Rand / Doosan, Innovatech, Con X, Ammann, Mecalac, Makinex, Smith Surface Prep, Small Line, Wanco, Yanmar



| Key No. | Parts No. | Parts Name | Remarks | Q'ty | | | | Symbol | Serial No. |
|---------|---------------|----------------------|---------------------|------|---|---|---|--------|------------|
| | | | | All | A | B | C | | |
| 1 | E 29242 00434 | Engine | KUBOTA D1005-E4B | 1 | | | | | |
| 2 | E 23042 02704 | Engine Foot | | 1 | | | | | |
| 3 | E 23042 02604 | Engine Foot | | 1 | | | | | |
| 4 | Y 00124 10025 | Hex. Head Bolt | | 8 | | | | | |
| 5 | Y 06050 00046 | Rubber Suspension | EA-4006 | 2 | | | | | |
| 6 | Y 00300 08000 | Hex. Nut | | 2 | | | | | |
| 6A | Y 00400 08000 | Spring Washer | | 2 | | | | | |
| 7 | Y 06055 11363 | Oil Changer | FG-7BKC | 1 | | | | | |
| 8 | E 23553 00903 | Clamper Rod | | 1 | | | | | |
| 9 | E 23553 01004 | Clamper Rod | | 1 | | | | | |
| 10 | Y 00107 10020 | Hex. Head Bolt | | 3 | | | | | |
| 10A | Y 00412 10000 | Washer | | 3 | | | | | |
| 10B | Y 00400 10000 | Spring Washer | | 3 | | | | | |
| 11 | Y 00169 08020 | Hex. Head Bolt | | 2 | | | | | |
| 12 | Y 06020 46544 | Air Cleaner | EPG058761 | 1 | | | | | |
| 12A | Y 06020 46611 | Primary Element | P821575 | (1) | | | | | |
| 12B | Y 06020 46635 | Safety Element | P822858 | (1) | | | | | |
| 13 | E 23742 00604 | Bracket, air cleaner | | 1 | | | | | |
| 14 | Y 00169 08020 | Hex. Head Bolt | | 1 | | | | | |
| 15 | Y 00169 06015 | Hex. Head Bolt | | 2 | | | | | |
| 16 | E 23741 02803 | Engine Intake Hose | | 1 | | | | | |

| Key No. | Parts No. | Parts Name | Remarks | Q'ty | | | | Symbol | Serial No. |
|---------|---------------|-----------------------|---------------|------|---|---|---|--------|------------|
| | | | | All | A | B | C | | |
| 17 | Y 06055 15147 | Hose Band | 5032 | 1 | | | | | |
| 18 | Y 06055 15199 | Hose Band | 5036 | 1 | | | | | |
| 19 | E 29242 00454 | Radiator | P281-019-0000 | 1 | | | | | |
| 19A | E 24942 06504 | Acoustic Sheet | | 1 | | | | | |
| 20 | M 93122 00104 | Mount Rubber | | 2 | | | | | |
| 21 | E 23112 00804 | Radiator Bracket | | 2 | | | | | |
| 21A | Y 02221 00030 | Seal Rubber | | 2 | | | | | |
| 22 | Y 00169 08020 | Hex. Head Bolt | | 2 | | | | | |
| 23 | E 23116 01603 | Radiator Hose | | 1 | | | | | |
| 24 | E 23116 01703 | Radiator Hose | | 1 | | | | | |
| 25 | Y 06055 15134 | Hose Band | 5016 | 4 | | | | | |
| 26 | M 93000 00003 | Reserve Tank | | 1 | | | | | |
| 27 | M 93001 00003 | Cap, reserve tank | | 1 | | | | | |
| 28 | M 13171 00004 | Bracket, reserve tank | | 1 | | | | | |
| 29 | Y 00169 08020 | Hex. Head Bolt | | 1 | | | | | |
| 30 | Y 06022 20911 | Coating Clamper | | 1 | | | | | |
| 31 | Y 01991 00215 | Hose | | 1 | | | | | |
| 32 | Y 01999 00350 | Over Flow Hose | | 1 | | | | | |
| 33 | Y 06055 15189 | Hose Band | 6204 | 8 | | | | | |
| 34 | Y 01936 00700 | Over Flow Hose | | 1 | | | | | |
| 35 | Y 01999 00250 | Drain Hose | | 1 | | | | | |

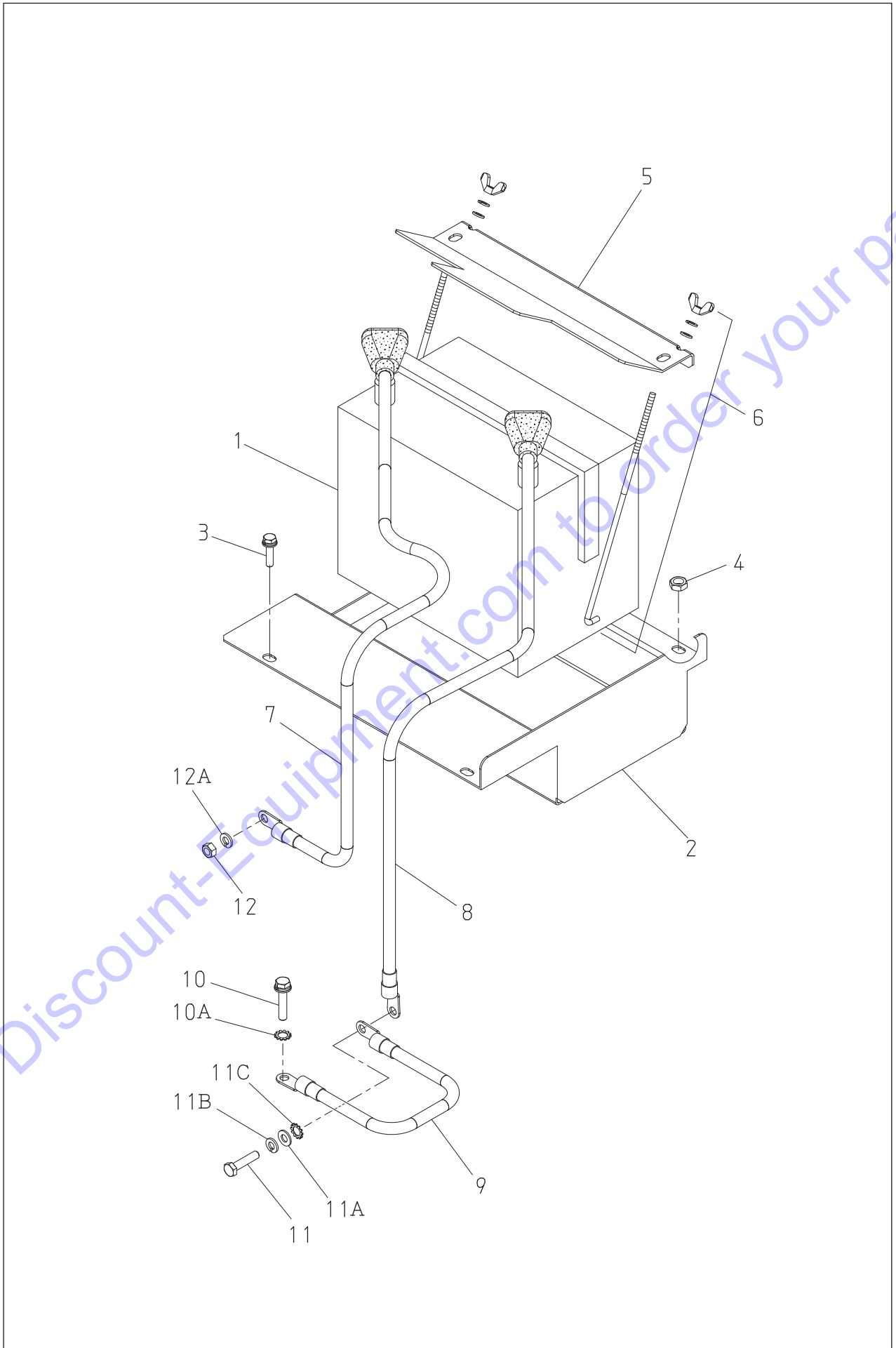
| Key No. | Parts No. | Parts Name | Remarks | Q'ty | | | | Symbol | Serial No. |
|---------|---------------|----------------------------|---------|------|---|---|---|--------|------------|
| | | | | All | A | B | C | | |
| 36 | Y 06020 22929 | Y Joint | HY-3009 | 1 | | | | | |
| 37 | Y 01999 00450 | Drain Hose | | 1 | | | | | |
| 38 | Y 01999 00380 | Drain Hose | | 1 | | | | | |
| 39 | M 23203 00103 | Drain Joint | | 1 | | | | | |
| 40 | Y 01500 00018 | O Ring | P-18 | 1 | | | | | |
| 41 | M 92002 00004 | Drain Bolt | | 1 | | | | | |
| 42 | Y 00192 06020 | Hex. Head Bolt | | 2 | | | | | |
| 43 | E 29240 00444 | Coupling | | 1 | | | | | |
| 43- 1 | E 29240 00414 | Gear Hub | | (1) | | | | | |
| 43- 2 | E 29240 00454 | Flange | | (1) | | | | | |
| 43- 3 | E 29240 00474 | Hex. Socket Screw | | (1) | | | | | |
| 44 | E 21646 00604 | Spacer | | 1 | | | | | |
| 45 | Y 00132 03019 | Hex. Socket Head Cap Screw | | 6 | | | | | |
| 45A | Y 00400 08000 | Spring Washer | | 6 | | | | | |
| 46 | E 21645 00503 | Housing | | 1 | | | | | |
| 47 | Y 00136 08040 | Hex. Head Bolt | | 8 | | | | | |
| 48 | Y 00128 10030 | Hex. Head Bolt | | 8 | | | | | |
| 49 | E 21648 00304 | Plate | | 1 | | | | | |
| 50 | Y 00136 12025 | Hex. Head Bolt | | 1 | | | | | |



| Key No. | Parts No. | Parts Name | Remarks | Q'ty | | | | Symbol | Serial No. |
|---------|---------------|---------------------|----------------------------|------|---|---|---|--------|------------|
| | | | | All | A | B | C | | |
| | E 23552 04002 | Engine Wire Harness | | | | | | | |
| 1 | E 23526 02703 | Control Box | | 1 | | | | | |
| 2 | Y 02070 06000 | Self-Lock Nut | | 3 | | | | | |
| 3 | Y 06022 00467 | Emergency Unit | KUBOTA EG-3 17462-60602 | 1 | | | | | |
| 4 | Y 00271 06025 | Machine Screw | | 4 | | | | | |
| 5 | Y 06018 29251 | Speed Relay | SP-21 | 1 | | | | | |
| 6 | Y 02070 06000 | Self-Lock Nut | | 2 | | | | | |
| 7 | Y 06018 23240 | Rectifier | DE45 | 2 | | | | | |
| 8 | Y 00271 05030 | Machine Screw | | 1 | | | | | |
| 9 | Y 06022 02564 | Controller | KUBOTA 16415-65661 | 1 | | | | | |
| 10 | Y 00271 06020 | Machine Screw | | 1 | | | | | |
| 11 | Y 06018 24527 | Relay | | 2 | | | | | |
| 12 | Y 00271 06015 | Machine Screw | | 2 | | | | | |
| 13 | Y 06018 24525 | Relay | | 1 | | | | | |
| 14 | Y 00271 06015 | Machine Screw | | 1 | | | | | |
| 15 | Y 06022 02563 | Glow Relay | KUBOTA 16415-65602 | 1 | | | | | |
| 16 | Y 00271 06015 | Machine Screw | | 2 | | | | | |
| 17 | E 99248 00034 | Thermistor Unit | TH01-110A1 | 1 | | | | | |
| 18 | Y 00271 06020 | Machine Screw | | 1 | | | | | |
| 19 | E 23527 01804 | Cover, control box | | 1 | | | | | |
| 19- 1 | Y 04111 00260 | Edge Trim | | 1 | | | | | |

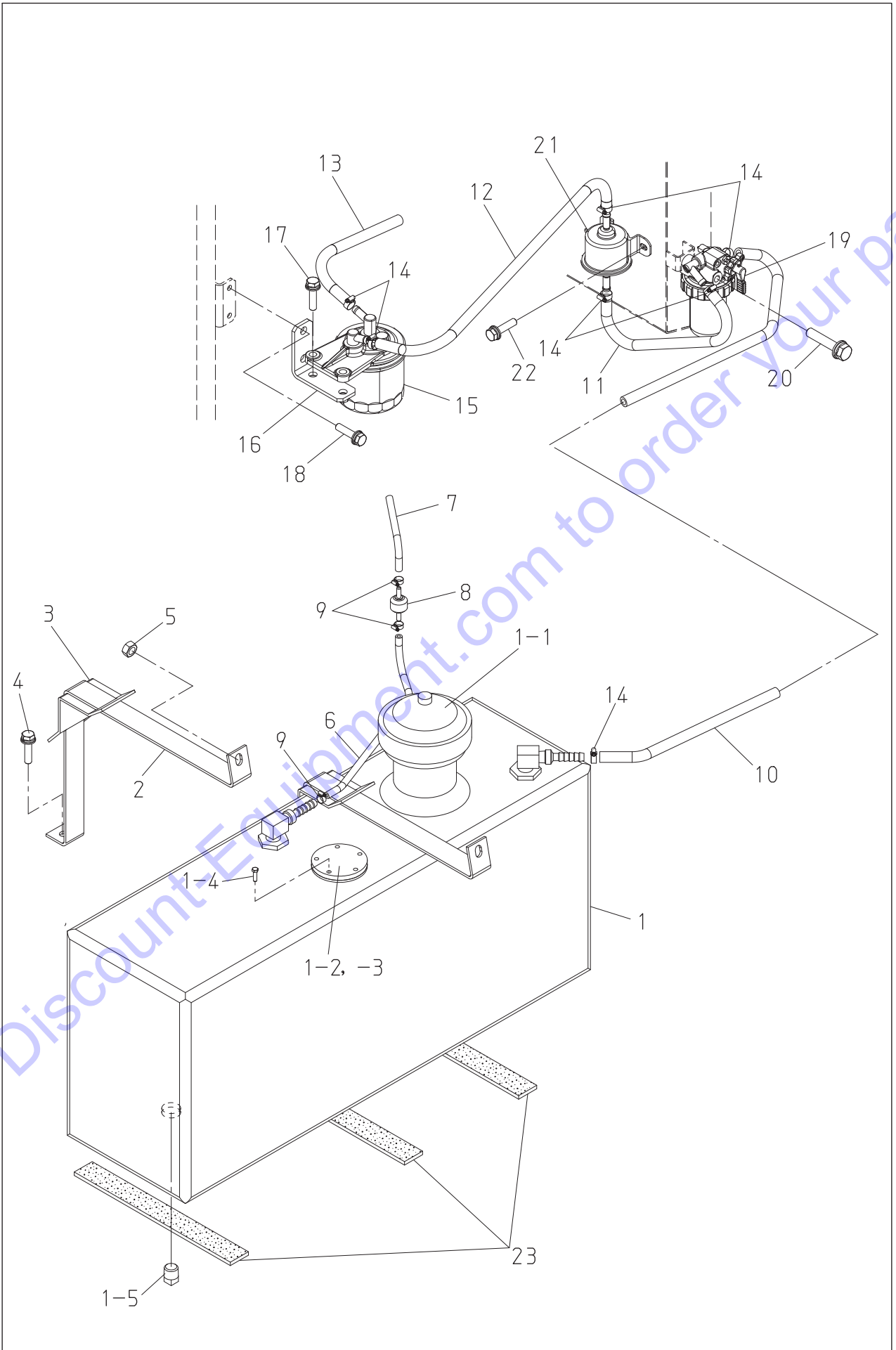
| Key No. | Parts No. | Parts Name | Remarks | Q'ty | | | | Symbol | Serial No. |
|---------|---------------|-----------------------|-----------------------|------|---|---|---|--------|------------|
| | | | | All | A | B | C | | |
| 20 | Y 00169 06015 | Hex. Head Bolt | | 3 | | | | | |
| 21 | E 23521 01403 | Operating Panel | | 1 | | | | | |
| 22 | Y 00218 05015 | Machine Screw | | 6 | | | | | |
| 23 | Y 06021 00057 | Starter Switch | KUBOTA 17422-63591 | 1 | | | | | |
| | Y 06021 00223 | Key | KUBOTA 17422-63701 | (2) | | | | | |
| 24 | E 29241 00494 | Air Pressure Gauge | | 1 | | | | | |
| 25 | E 19241 00134 | Unloader Valve | 825-001236 | 1 | | | | | |
| 26 | E 22662 00024 | Monitor | CM-10 | 1 | | | | | |
| 27 | Y 00210 03008 | Machine Screw | | 5 | | | | | |
| 27A | Y 00421 03000 | Washer | | 5 | | | | | |
| 27B | Y 00400 03000 | Spring Washer | | 5 | | | | | |
| 28 | E 23521 01503 | Operating Panel Box | | 1 | | | | | |
| 28- 1 | Y 04111 00120 | Edge Trim | | 1 | | | | | |
| 29 | Y 02070 05000 | Self-Lock Nut | | 3 | | | | | |
| 30 | E 23524 00904 | Operating Panel Cover | | 1 | | | | | |
| 31 | Y 06050 12034 | Flat Torque Hinge | B1109-2 | 2 | | | | | |
| 32 | Y 00271 03015 | Machine Screw | | 10 | | | | | |
| 32A | Y 02070 03000 | Self-Lock Nut | | 10 | | | | | |
| 33 | Y 06050 12100 | Roller Catcher | TL-55-1 | 1 | | | | | |
| 34 | Y 06050 12101 | Keeper | | 1 | | | | | |
| 35 | Y 00253 03010 | Machine Screw | | 2 | | | | | |

| Key No. | Parts No. | Parts Name | Remarks | Q'ty | | | | Symbol | Serial No. |
|---------|---------------|----------------|---------|------|---|---|---|--------|------------|
| | | | | All | A | B | C | | |
| 36 | Y 00253 03010 | Machine Screw | | 2 | | | | | |
| 36A | Y 00300 03000 | Hex. Nut | | 2 | | | | | |
| 37 | Y 06018 06640 | Fuse | 65A | 1 | | | | | |
| 38 | E 22670 00104 | Fuse Box Ass'y | | 1 | | | | | |
| 38- 1 | Y 06018 18010 | Housing | | (2) | | | | | |
| 38- 2 | Y 06018 18011 | Cover | | (2) | | | | | |
| 38- 3 | Y 06018 06642 | Fuse | 5A | (2) | | | | | |



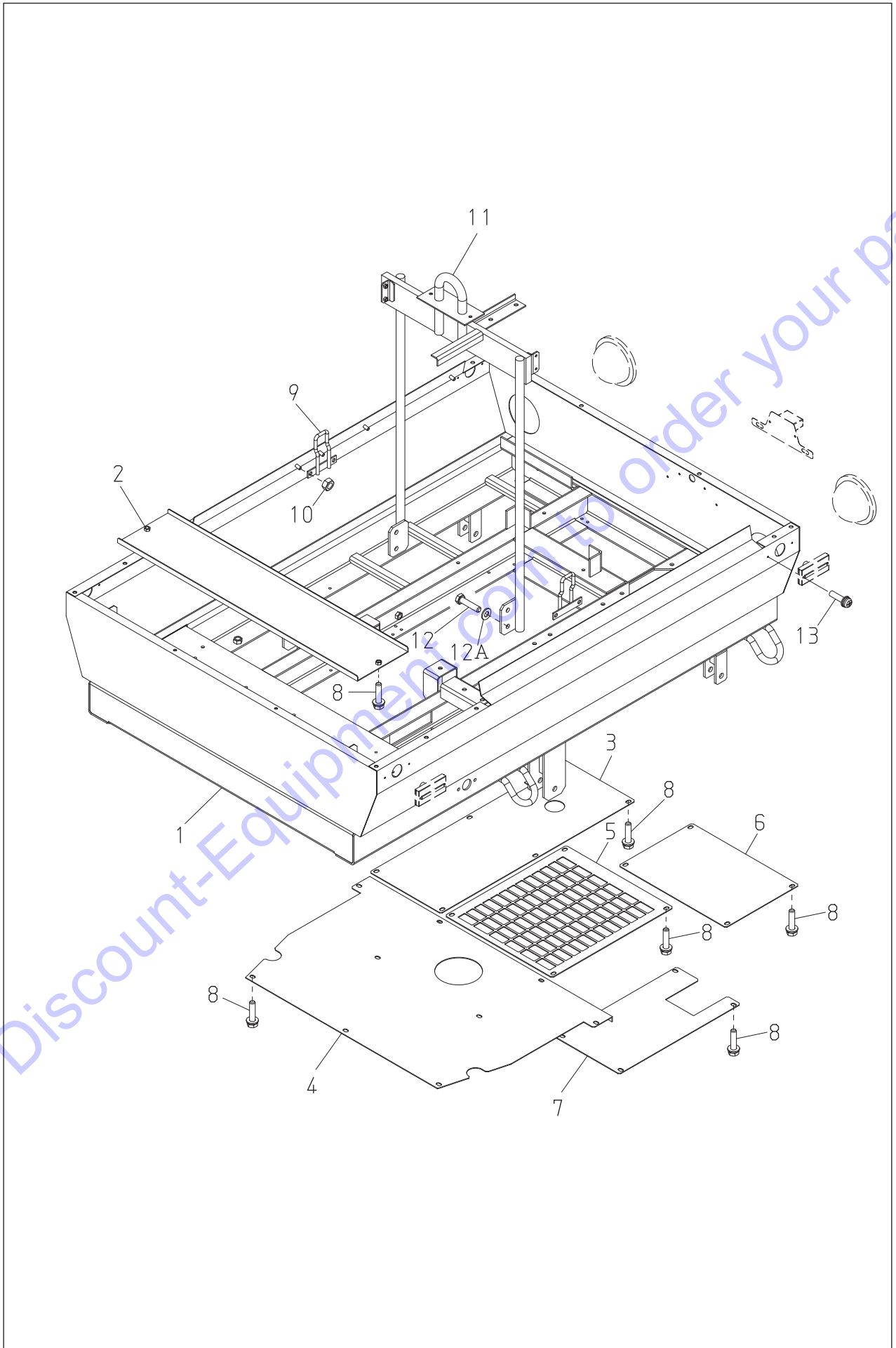
| Key No. | Parts No. | Parts Name | Remarks | Q'ty | | | | Symbol | Serial No. |
|---------|---------------|------------------|------------------|------|---|---|---|--------|------------|
| | | | | All | A | B | C | | |
| 1 | Y 06022 20193 | Battery | 624MF | 1 | | | | | |
| 2 | E 24878 00704 | Battery Box | | 1 | | | | | |
| 3 | Y 00169 08020 | Hex. Head Bolt | | 2 | | | | | |
| 4 | Y 02070 08000 | Self-Lock Nut | | 2 | | | | | |
| 5 | E 23442 00004 | Battery Band | | 1 | | | | | |
| 6 | Y 06022 20920 | Battery Bolt Set | BHL-10J 1/4-L10" | 2 | | | | | |
| 7 | E 23472 00604 | Battery Cable | | 1 | | | | | |
| 8 | E 23472 00704 | Battery Cable | | 1 | | | | | |
| 9 | E 23472 00804 | Earth Cable | | 1 | | | | | |
| 10 | Y 00169 10025 | Hex. Head Bolt | | 1 | | | | | |
| 10A | Y 00405 10000 | Toothed Washer | | 1 | | | | | |
| 11 | Y 00107 10020 | Hex. Head Bolt | | 1 | | | | | |
| 11A | Y 00412 10000 | Washer | | 1 | | | | | |
| 11B | Y 00400 10000 | Spring Washer | | 1 | | | | | |
| 11C | Y 00405 10000 | Toothed Washer | | 1 | | | | | |
| 12 | Y 00300 08000 | Hex. Nut | | 1 | | | | | |
| 12A | Y 00400 08000 | Spring Washer | | 1 | | | | | |

| Key No. | Parts No. | Parts Name | Remarks | Q'ty | | | | Symbol | Serial No. |
|---------|---------------|-------------------------|-----------------------|------|---|---|---|--------|------------|
| | | | | All | A | B | C | | |
| 1 | E 23311 02302 | Muffler | | 1 | | | | | |
| 2 | Y 00169 08020 | Hex. Head Bolt | | 4 | | | | | |
| 3 | E 23340 02103 | Exhaust Pipe | | 1 | | | | | |
| 4 | Y 06023 20153 | Gasket | KUBOTA 15263-12371 | 1 | | | | | |
| 5 | Y 02071 08000 | Self-Locking Nut | | 4 | | | | | |
| 6 | E 23342 00204 | Gasket | | 1 | | | | | |
| 7 | Y 00121 08035 | Hex. Head Bolt | | 2 | | | | | |
| 7A | Y 00412 08000 | Washer | | 2 | | | | | |
| 7B | Y 00400 08000 | Spring Washer | | 2 | | | | | |
| 8 | E 23348 02404 | Bracket, tail pipe | | 1 | | | | | |
| 9 | Y 00169 08020 | Hex. Head Bolt | | 3 | | | | | |
| 10 | E 23313 00504 | Cover, exhaust pipe | | 1 | | | | | |
| 11 | Y 00169 08020 | Hex. Head Bolt | | 2 | | | | | |
| 12 | E 23313 00604 | Cover, exhaust pipe | | 1 | | | | | |
| 13 | Y 00169 06015 | Hex. Head Bolt | | 3 | | | | | |
| 14 | E 23348 02604 | Exhaust Heat Shield (A) | | 1 | | | | | |
| 15 | Y 06023 26069 | U Bolt | 90831A | 1 | | | | | |



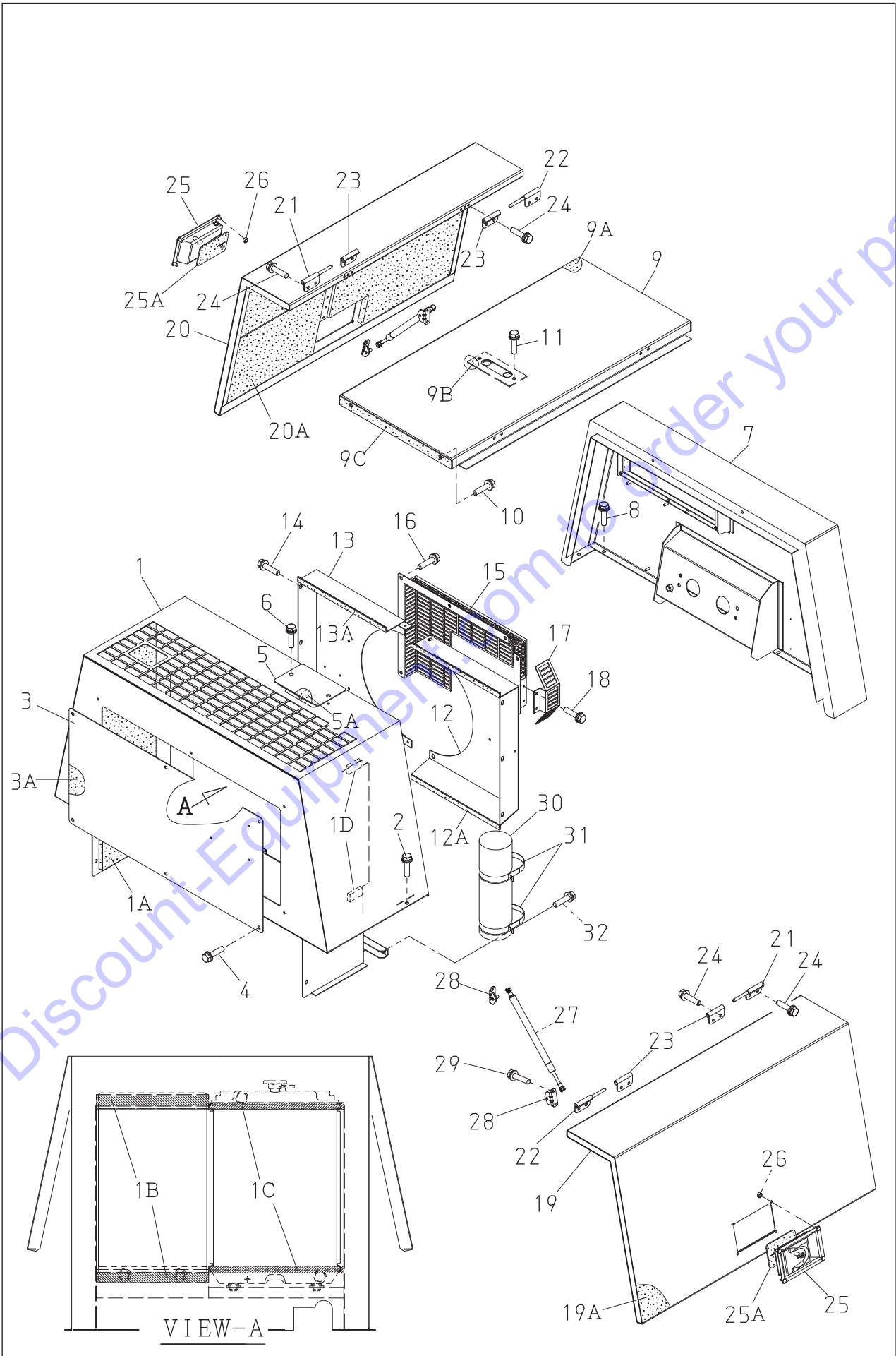
| Key No. | Parts No. | Parts Name | Remarks | Q'ty | | | | Symbol | Serial No. |
|---------|---------------|--------------------|------------------------|------|---|---|---|--------|------------|
| | | | | All | A | B | C | | |
| 1 | E 23640 01702 | Fuel Tank | | 1 | | | | | |
| 1- 1 | Y 06055 05070 | Cap, fuel tank | | (1) | | | | | |
| 1- 2 | | Fuel Sender Unit | | (1) | | | | | |
| 1- 3 | Y 06055 16090 | Gasket | | (1) | | | | | |
| 1- 4 | Y 06050 53020 | Hex. Head Bolt | | (5) | | | | | |
| 1- 5 | Y 01381 04000 | Plug | NPT3/8 | (1) | | | | | |
| 2 | E 23643 00804 | Fuel Tank Bracket | | 2 | | | | | |
| 3 | M 93105 00104 | Supporter Sheet | | 2 | | | | | |
| 4 | Y 00169 08020 | Hex. Head Bolt | | 2 | | | | | |
| 5 | Y 02070 08000 | Self-Locking Nut | | 2 | | | | | |
| 6 | Y 01997 00500 | Return Hose | | 1 | | | | | |
| 7 | Y 01997 00100 | Return Hose | | 1 | | | | | |
| 8 | Y 06055 11348 | Check Valve | KUBOTA 1C010-4246-1 | 1 | | | | | |
| 9 | Y 06055 15189 | Hose Band | 6204 | 4 | | | | | |
| 10 | Y 01999 00800 | Fuel Hose | | 1 | | | | | |
| 11 | Y 01999 00400 | Fuel Hose | | 1 | | | | | |
| 12 | Y 01999 00700 | Fuel Hose | | 1 | | | | | |
| 13 | Y 01999 00250 | Fuel Hose | | 1 | | | | | |
| 14 | Y 06055 15198 | Hose Band | 5008 | 8 | | | | | |
| 15 | Y 06020 42452 | Fuel Filter (Main) | KUBOTA 15224-4301-3 | 1 | | | | | |
| 16 | E 23677 00804 | Filter Bracket | | 1 | | | | | |

| Key No. | Parts No. | Parts Name | Remarks | Q'ty | | | | Symbol | Serial No. |
|---------|---------------|--------------------|------------------------|------|---|---|---|--------|------------|
| | | | | All | A | B | C | | |
| 17 | Y 00169 08025 | Hex. Head Bolt | | 2 | | | | | |
| 18 | Y 00169 08020 | Hex. Head Bolt | | 2 | | | | | |
| 19 | Y 06020 42256 | Fuel Filter (Pre.) | KUBOTA RD819-5126-3 | 1 | | | | | |
| 20 | Y 00169 08070 | Hex. Head Bolt | | 1 | | | | | |
| 21 | Y 06020 23236 | Fuel Feed Pump | KUBOTA 1G639-5203-4 | 1 | | | | | |
| 22 | Y 00169 06015 | Hex. Head Bolt | | 2 | | | | | |
| 23 | Y 02221 00260 | Rubber Seal | | 3 | | | | | |



Go to Discount-Equipment.com to order your parts

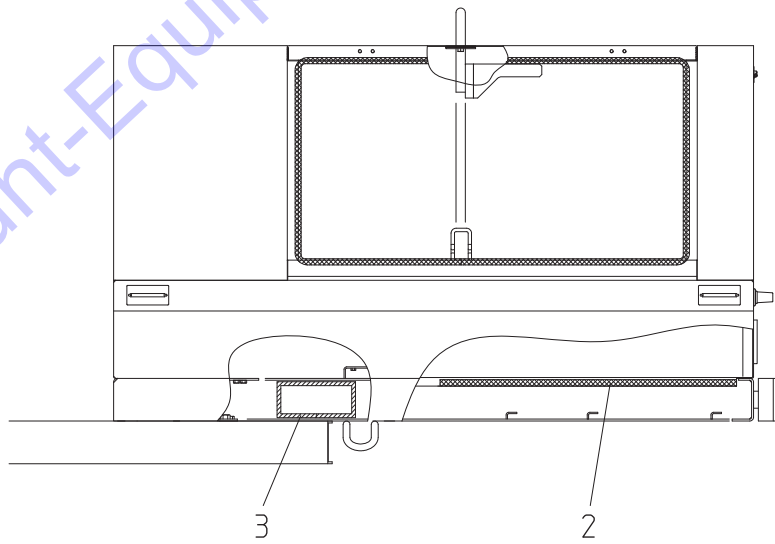
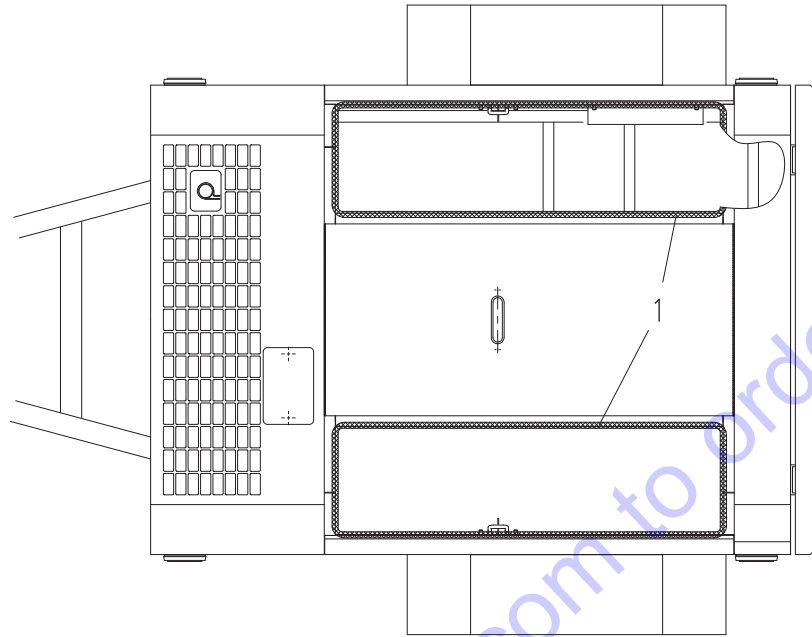
| Key No. | Parts No. | Parts Name | Remarks | Q'ty | | | | Symbol | Serial No. |
|---------|---------------|---------------------|---------|------|---|---|---|--------|------------|
| | | | | All | A | B | C | | |
| 1 | E 24140 02703 | Base Ass'y | | 1 | | | | | |
| 2 | E 24141 03604 | Base Cover | | 1 | | | | | |
| 3 | E 24141 03704 | Base Cover | | 1 | | | | | |
| 4 | E 24141 03804 | Base Cover | | 1 | | | | | |
| 5 | E 24141 04004 | Base Cover | | 1 | | | | | |
| 6 | E 24141 04104 | Base Cover | | 1 | | | | | |
| 7 | E 24141 04304 | Base Cover | | 1 | | | | | |
| 8 | Y 00192 08020 | Hex. Head Bolt | | 29 | | | | | |
| 9 | E 24578 00604 | Splasher Panel Hock | | 2 | | | | | |
| 10 | Y 02070 08000 | Self-Lock Nut | | 4 | | | | | |
| 11 | E 24343 02203 | Center Frame | | 1 | | | | | |
| 12 | Y 00128 10030 | Hex. Head Bolt | | 4 | | | | | |
| 12A | Y 00412 10000 | Plain Washer | | 4 | | | | | |
| 13 | Y 00211 04025 | Machine Screw | | 8 | | | | | |



| Key No. | Parts No. | Parts Name | Remarks | Q'ty | | | | Symbol | Serial No. |
|---------|---------------|--------------------|---------|------|---|---|---|--------|------------|
| | | | | All | A | B | C | | |
| 1 | E 24240 02602 | Front Frame | | 1 | | | | | |
| 1A | E 24942 06304 | Acoustic Sheet | | 1 | | | | | |
| 1B | Y 02221 00320 | Seal Rubber | | 2 | | | | | |
| 1C | Y 02288 00385 | Seal Rubber | | 2 | | | | | |
| 1D | E 24942 06504 | Seal Rubber | | 1 | | | | | |
| 2 | Y 00169 08020 | Hex. Head Bolt | | 17 | | | | | |
| 3 | E 24242 02304 | Front Frame Cover | | 1 | | | | | |
| 3A | E 24942 06404 | Acoustic Sheet | | 2 | | | | | |
| 4 | Y 00192 08020 | Hex. Head Bolt | | 6 | | | | | |
| 5 | E 24242 02004 | Radiator Cap Cover | | 1 | | | | | |
| 5A | E 24912 00104 | Seal Rubber | | 1 | | | | | |
| 6 | Y 00192 08020 | Hex. Head Bolt | | 2 | | | | | |
| 7 | E 24440 03002 | Rear Frame | | 1 | | | | | |
| 8 | Y 00169 08020 | Hex. Head Bolt | | 6 | | | | | |
| 9 | E 24640 02403 | Roof Panel | | 1 | | | | | |
| 9A | E 24946 03204 | Acoustic Sheet | | 1 | | | | | |
| 9B | E 24916 00304 | Seal Rubber | | 1 | | | | | |
| 9C | E 24916 00504 | Seal Rubber | | 2 | | | | | |
| 10 | Y 00169 08020 | Hex. Head Bolt | | 4 | | | | | |
| 11 | Y 00192 08020 | Hex. Head Bolt | | 2 | | | | | |
| 12 | E 23113 03003 | Fan Shroud | | 1 | | | | | |

| Key No. | Parts No. | Parts Name | Remarks | Q'ty | | | | Symbol | Serial No. |
|---------|---------------|-------------------|---------|------|---|---|---|--------|------------|
| | | | | All | A | B | C | | |
| 12A | Y 03149 00355 | Seal Rubber | | 2 | | | | | |
| 13 | E 23113 03103 | Fan Shroud | | 1 | | | | | |
| 13A | Y 03149 00355 | Seal Rubber | | 2 | | | | | |
| 14 | Y 00169 08020 | Hex. Head Bolt | | 8 | | | | | |
| 15 | E 23114 01503 | Fan Guard | | 1 | | | | | |
| 16 | Y 00169 08020 | Hex. Head Bolt | | 7 | | | | | |
| 17 | E 23148 00404 | Alternator Cover | | 1 | | | | | |
| 18 | Y 00169 06015 | Hex. Head Bolt | | 2 | | | | | |
| 19 | E 24540 04203 | Side Door | | 1 | | | | | |
| 19A | E 24945 13304 | Acoustic Sheet | | 1 | | | | | |
| 20 | E 24540 04303 | Side Door | | 1 | | | | | |
| 20A | E 24945 13404 | Acoustic Sheet | | 1 | | | | | |
| 21 | M 91121 00504 | Hinge | | 2 | | | | | |
| 22 | M 91121 00404 | Hinge | | 2 | | | | | |
| 23 | M 91121 00604 | Hinge | | 4 | | | | | |
| 24 | Y 00192 08020 | Hex. Head Bolt | | 16 | | | | | |
| 25 | Y 06050 12309 | Door Handle Ass'y | | 2 | | | | | |
| 25A | C 93125 00004 | Seal Rubber | | 2 | | | | | |
| 26 | Y 02070 06000 | Self-Locking Nut | | 8 | | | | | |
| 27 | Y 06050 01032 | Gas Spring | 2645ND | 2 | | | | | |
| 28 | Y 06050 01031 | Bracket | 8262WE | 4 | | | | | |

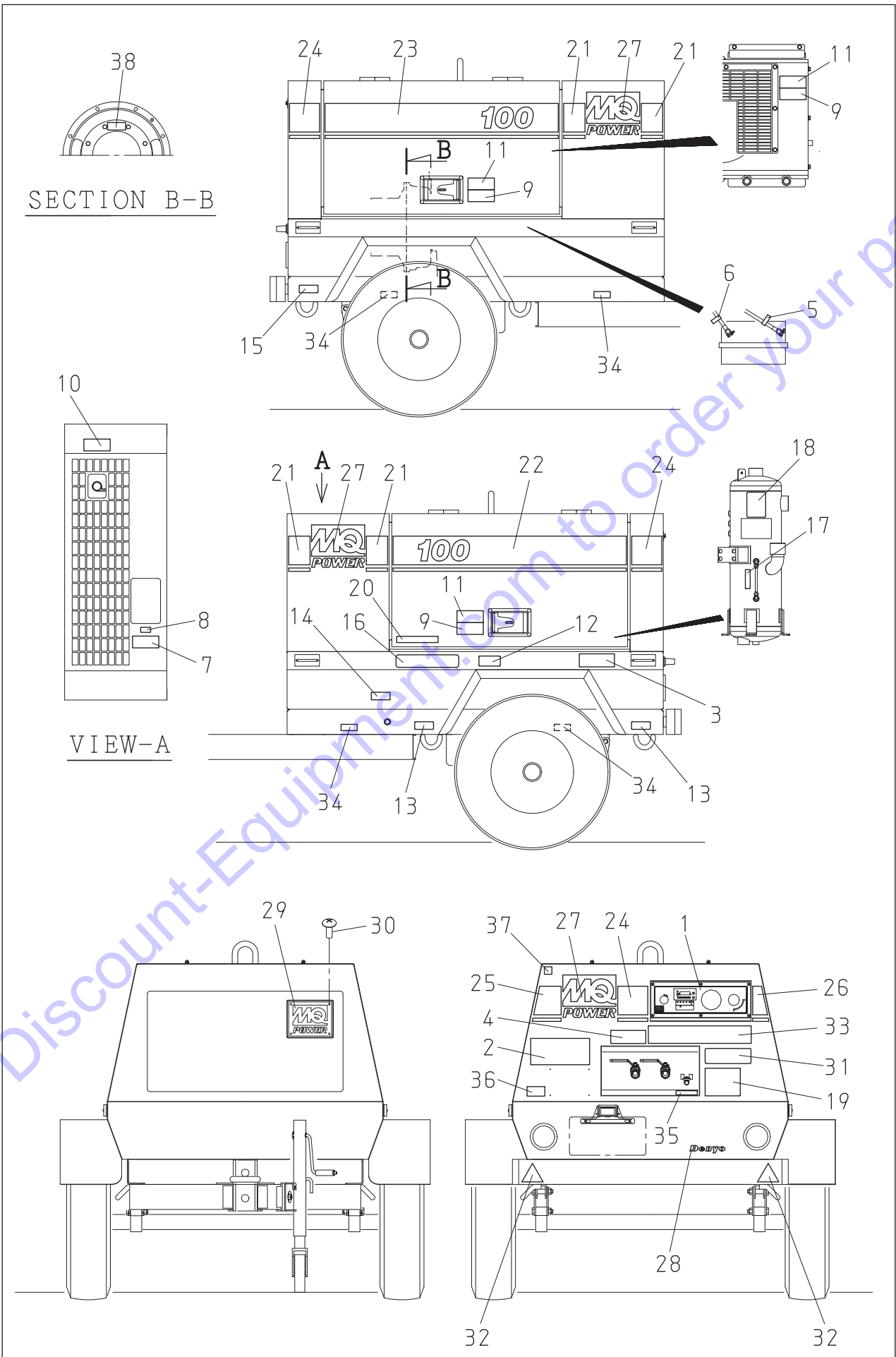
| Key No. | Parts No. | Parts Name | Remarks | Q'ty | | | | Symbol | Serial No. |
|---------|---------------|---------------------|---------|------|---|---|---|--------|------------|
| | | | | All | A | B | C | | |
| 29 | Y 00169 06015 | Hex. Head Bolt | | 8 | | | | | |
| 30 | Y 06008 00321 | Manual Pak | 9000-14 | 1 | | | | | |
| 31 | M 14836 00804 | Clamper, manual-pak | | 2 | | | | | |
| 32 | Y 00169 06015 | Hex. Head Bolt | | 4 | | | | | |



Go to Discount-Equipment.com to order your parts

| Key No. | Parts No. | Parts Name | Remarks | Q'ty | | | | Symbol | Serial No. |
|---------|---------------|-------------|---------|------|---|---|---|--------|------------|
| | | | | All | A | B | C | | |
| 1 | Y 04190 03120 | Seal Rubber | | 2 | | | | | |
| 2 | Y 02217 00695 | Seal Rubber | | 1 | | | | | |
| 3 | Y 04111 00470 | Seal Rubber | | 1 | | | | | |

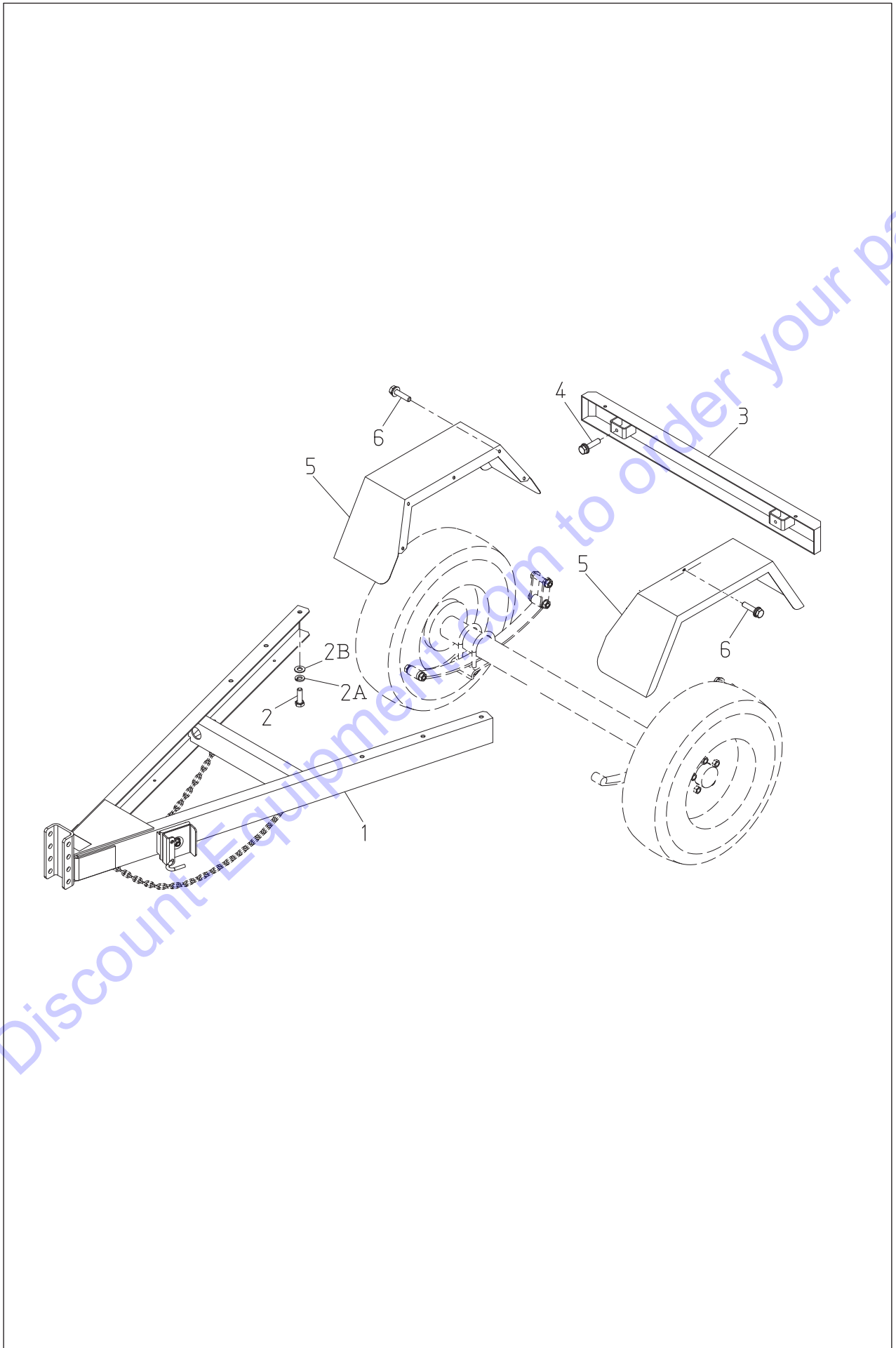
Go to Discount-Equipment.com to order your parts



Go to Discount-Equipment.com to order your parts

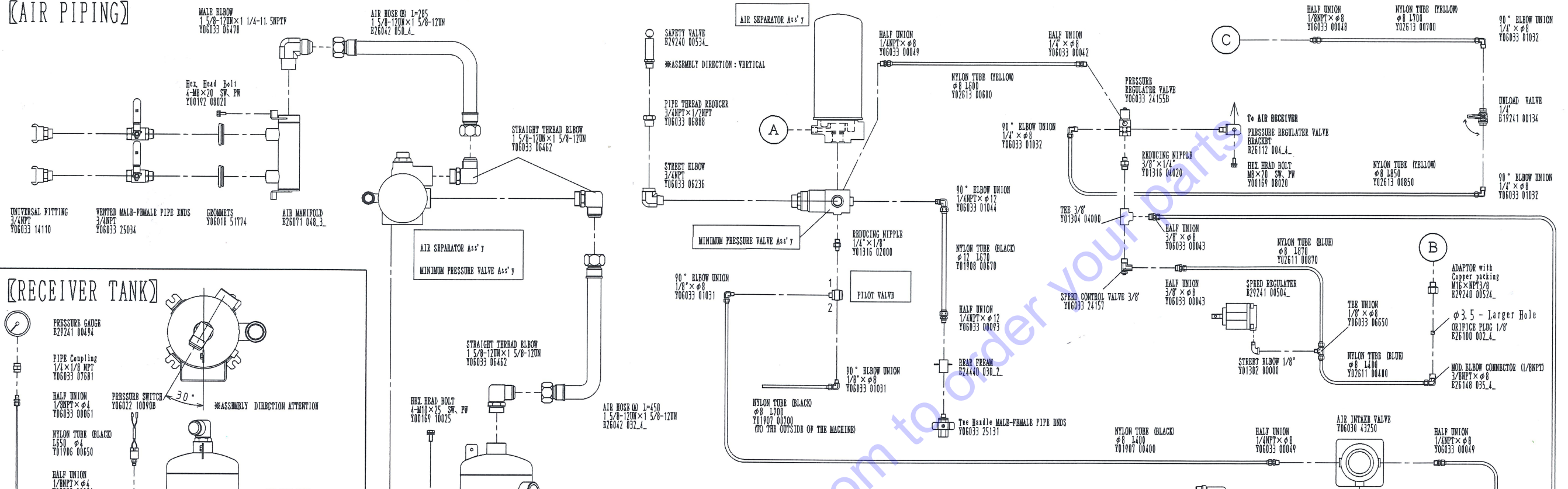
| Key No. | Parts No. | Parts Name | Remarks | Q'ty | | | | Symbol | Serial No. |
|---------|---------------|----------------------------------|------------|------|---|---|---|--------|------------|
| | | | | All | A | B | C | | |
| 1 | E 25112 08303 | Decal:Operating Panel | E2112 0830 | 1 | | | | | |
| 2 | E 25510 02803 | Decal:Warning Safety Instruction | E2510 0280 | 1 | | | | | |
| 3 | E 25510 03004 | Decal:Warning High Pressure | E2510 0300 | 1 | | | | | |
| 4 | E 25510 03104 | Decal:Warning Residual Pressure | E2510 0310 | 1 | | | | | |
| 5 | M 95003 00104 | Decal:+ | M9003 0010 | 1 | | | | | |
| 6 | M 95003 00004 | Decal:- | M9003 0000 | 1 | | | | | |
| 7 | M 95031 00004 | Decal:Warning Radiator Cap | M9031 0000 | 1 | | | | | |
| 8 | M 95001 00004 | Decal:Water | M9001 0000 | 1 | | | | | |
| 9 | M 95101 00004 | Decal:Caution High Temp. | M9101 0000 | 3 | | | | | |
| 10 | M 95032 00004 | Decal: Warning Exhaust Gas | M9032 0000 | 1 | | | | | |
| 11 | M 95030 00004 | Decal:Warning Rotating Part | M9030 0000 | 3 | | | | | |
| 12 | M 95015 00004 | Decal: Diesel Fuel | M9015 0000 | 1 | | | | | |
| 13 | M 95000 00004 | Decal:Oil Drain | M9000 0000 | 2 | | | | | |
| 14 | M 95001 00104 | Decal:Water Drain | M9001 0010 | 1 | | | | | |
| 15 | M 95005 00104 | Decal:Fuel Drain | M9005 0010 | 1 | | | | | |
| 16 | M 95030 00103 | Decal:Daily Check Water and Oil | M9030 0010 | 1 | | | | | |
| 17 | E 25312 00104 | Decal:Comp. Oil Level Gauge | E2312 0010 | 1 | | | | | |
| 18 | E 95411 02104 | Decal:Discharge Air Oil Mixed | E9411 0210 | 1 | | | | | |
| 19 | E 25311 00303 | Decal:Noise Emission | E2311 0030 | 1 | | | | | |
| 20 | M 95100 00104 | Decal:Document Box Located | M9100 0010 | 1 | | | | | |
| 21 | E 25611 00904 | Stripe | | 4 | | | | | |

| Key No. | Parts No. | Parts Name | Remarks | Q'ty | | | | Symbol | Serial No. |
|---------|---------------|-------------------------------|------------|------|---|---|---|--------|------------|
| | | | | All | A | B | C | | |
| 22 | E 25611 01003 | Stripe | | 1 | | | | | |
| 23 | E 25611 01103 | Stripe | | 1 | | | | | |
| 24 | E 25611 01204 | Stripe | | 3 | | | | | |
| 25 | E 25611 01304 | Stripe | | 1 | | | | | |
| 26 | E 25611 01404 | Stripe | | 1 | | | | | |
| 27 | E 25610 02904 | Sticker, MQ | | 3 | | | | | |
| 28 | E 95112 02104 | Sticker, Denyo | | 1 | | | | | |
| 29 | Y 06005 00092 | Emblem | | 1 | | | | | |
| 30 | Y 00211 06015 | Machine Screw | | 4 | | | | | |
| 31 | M 95112 00103 | TIER 4F | M9112 0010 | 1 | | | | | |
| 32 | W 61406 35004 | Reflection Sheet | | 2 | | | | | |
| 33 | E 25510 04003 | Decal:Handling Procedures | E2510 0400 | 1 | | | | | |
| 34 | E 95111 02704 | Decal:Fork Position | E9111 0270 | 4 | | | | | |
| 35 | E 25510 04104 | Decal: Cold Start Run Valve | E2510 0410 | 1 | | | | | |
| 36 | M 95042 00104 | Decal: Warning Proposition 65 | M9042 0010 | 1 | | | | | |
| 37 | Y 06005 00094 | E-Cort Mark | | 1 | | | | | |
| 38 | E 95311 00304 | Decal: Never Hammer | E9311 0030 | 1 | | | | | |

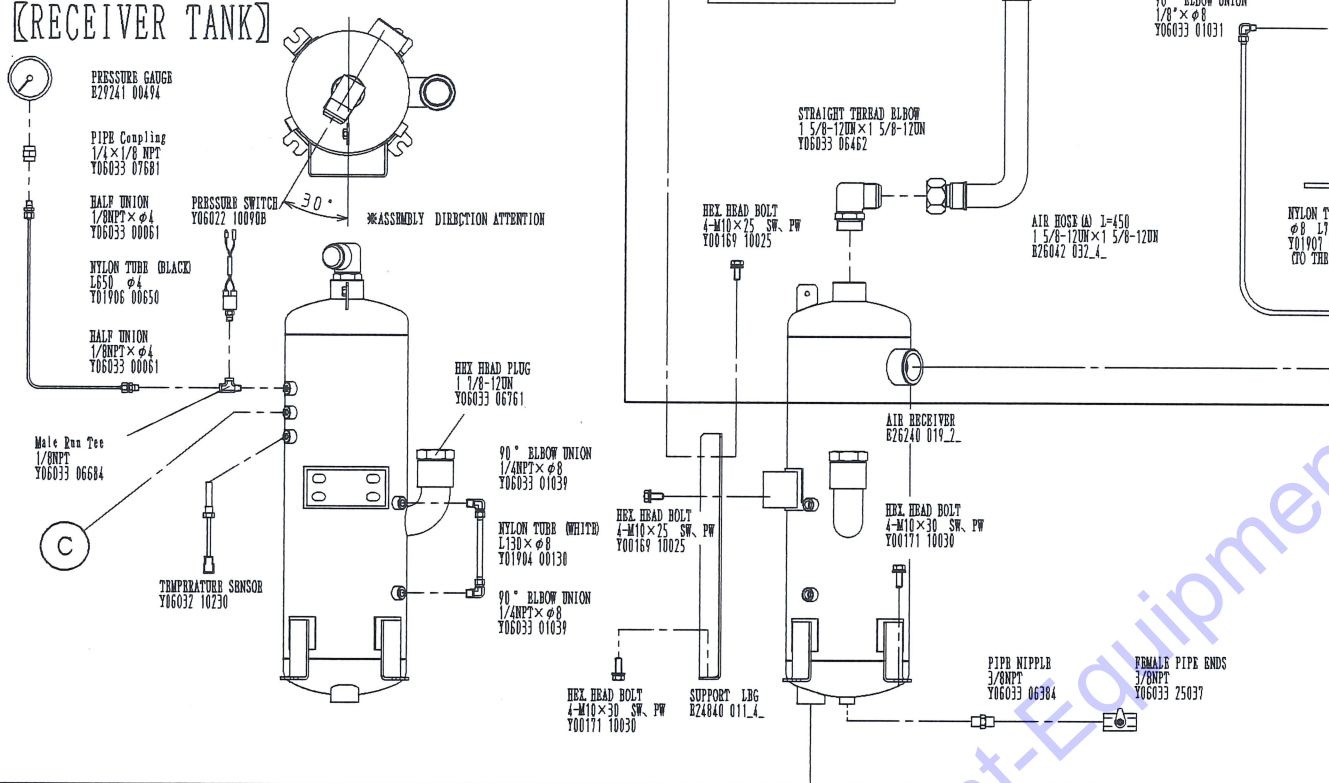


| Key No. | Parts No. | Parts Name | Remarks | Q'ty | | | | Symbol | Serial No. |
|---------|---------------|----------------------|---------|------|---|---|---|--------|------------|
| | | | | All | A | B | C | | |
| | E 23552 03903 | Trailer Wire Harness | | | | | | | |
| 1 | E 24178 04302 | Traction Rod | | 1 | | | | | |
| 2 | Y 00136 12030 | Hex. Head Bolt | | 6 | | | | | |
| 2A | Y 00400 12000 | Spring Washer | | 6 | | | | | |
| 2B | Y 00412 12000 | Plain Washer | | 6 | | | | | |
| 3 | E 24178 04403 | Rear Bumper | | 1 | | | | | |
| 4 | Y 00169 10025 | Hex. Head Bolt | | 2 | | | | | |
| 5 | E 24544 00503 | Tire Cover | | 2 | | | | | |
| 6 | Y 00192 08020 | Hex. Head Bolt | | 10 | | | | | |

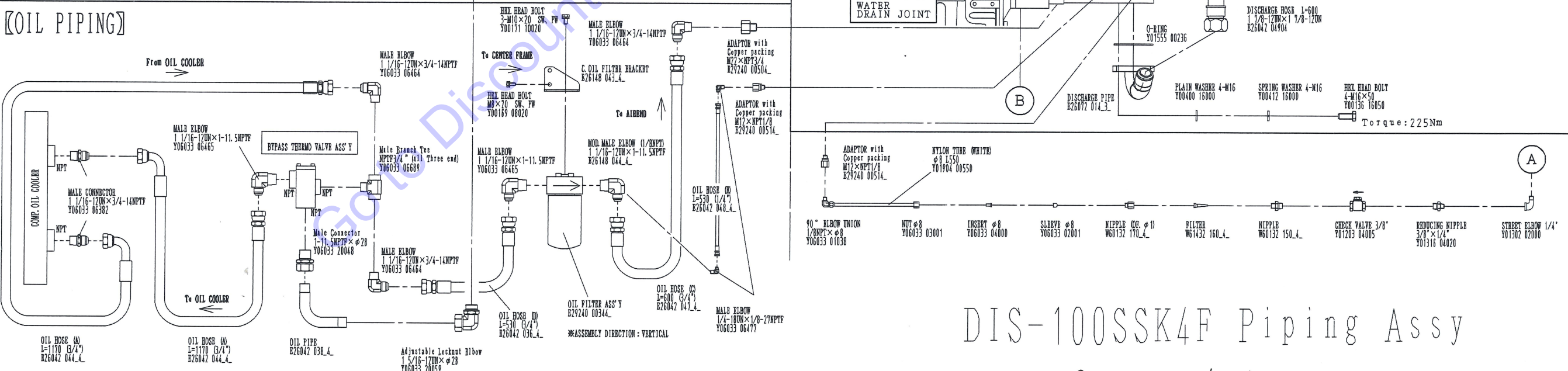
[AIR PIPING]



[RECEIVER TANK]



[OIL PIPING]



DIS-100SSK4F Piping Assy

Fukashi Samura 10/21/2020



www.discount-equipment.com



MANUFACTURED FOR MULTIQIP INC.
by DENYO MANUFACTURING CORP.

122319

Go to DiscountEquipment.com to order your parts

PARTS FINDER

**Search Website
by Part Number**



**Search Manual
Library For Parts
Manual & Lookup Part
Numbers – Purchase
or Request Quote**

Search Manuals

Enter your information to help us find the right parts manual for your machine.

* Brand:

* Model:

* Serial:

* Part Number:

SEARCH

**Can't Find Part or
Manual? Request Help
by Manufacturer,
Model & Description**

Parts Order Form

Please fill in the following information to help us find the right part for your machine.

| | |
|---------------|----------------------|
| Manufacturer: | <input type="text"/> |
| Model: | <input type="text"/> |
| Description: | <input type="text"/> |
| Part Number: | <input type="text"/> |
| Quantity: | <input type="text"/> |
| Notes: | <input type="text"/> |

Submit

Discount-Equipment.com is your online resource for quality parts & equipment.

Florida: **561-964-4949** Outside Florida TOLL FREE: **877-690-3101**

Need parts?

Click on this link: <http://www.discount-equipment.com/category/5443-parts/> and choose one of the options to help get the right parts and equipment you are looking for. Please have the machine model and serial number available in order to help us get you the correct parts. If you don't find the part on the website or on one of the online manuals, please fill out the request form and one of our experienced staff members will get back to you with a quote for the right part that your machine needs.

We sell worldwide for the brands: Genie, Terex, JLG, MultiQuip, Mikasa, Essick, Whiteman, Mayco, Toro Stone, Diamond Products, Generac Magnum, Airman, Haulotte, Barreto, Power Blanket, Nifty Lift, Atlas Copco, Chicago Pneumatic, Allmand, Miller Curber, Skyjack, Lull, Skytrak, Tsurumi, Husquvarna Target, Stow, Wacker, Sakai, Mi-T-M, Sullair, Basic, Dynapac, MBW, Weber, Bartell, Bennar Newman, Haulotte, Ditch Runner, Menegotti, Morrison, Contec, Buddy, Crown, Edco, Wyco, Bomag, Laymor, EZ Trench, Bil-Jax, F.S. Curtis, Gehl Pavers, Heli, Honda, ICS/PowerGrit, IHI, Partner, Imer, Clipper, MMD, Koshin, Rice, CH&E, General Equipment, Amida, Coleman, NAC, Gradall, Square Shooter, Kent, Stanley, Tamco, Toku, Hatz, Kohler, Robin, Wisconsin, Northrock, Oztec, Toker TK, Rol-Air, APT, Wylie, Ingersoll Rand / Doosan, Innovatech, Con X, Ammann, Mecalac, Makinex, Smith Surface Prep, Small Line, Wanco, Yanmar