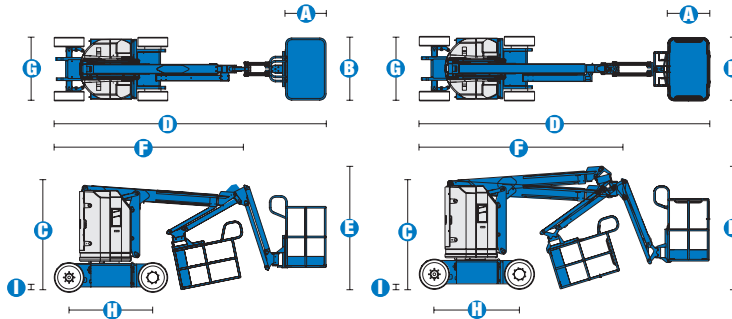


### Specifications



| MODELS                             | Z™-30/20N   |         | Z™-30/20N RJ |         |
|------------------------------------|-------------|---------|--------------|---------|
| MEASUREMENTS                       | US          | Metric  | US           | Metric  |
| Working height maximum*            | 36 ft       | 11.14 m | 35 ft 2 in   | 10.89 m |
| Platform height maximum            | 30 ft       | 9.14 m  | 29 ft 2 in   | 8.89 m  |
| Horizontal reach maximum           | 21 ft 5 in  | 6.53 m  | 20 ft 6 in   | 6.25 m  |
| Up and over clearance maximum      | 12 ft 8 in  | 3.86 m  | 12 ft 8 in   | 3.86 m  |
| <b>A</b> Platform length           | 2 ft 6 in   | .76 m   | 2 ft 6 in    | .76 m   |
| <b>B</b> Platform width            | 3 ft 11 in  | 1.19 m  | 3 ft 11 in   | 1.19 m  |
| <b>C</b> Height - stowed           | 6 ft 6.5 in | 2 m     | 6 ft 6.5 in  | 2 m     |
| <b>D</b> Length - stowed           | 16 ft 9 in  | 5.11 m  | 17 ft 5 in   | 5.31 m  |
| <b>E</b> Storage height            | 6 ft 10 in  | 2.08 m  | 7 ft 4 in    | 2.24 m  |
| <b>F</b> Storage length            | 11 ft 6 in  | 3.5 m   | 12 ft        | 3.66 m  |
| <b>G</b> Width                     | 3 ft 11 in  | 1.19 m  | 3 ft 11 in   | 1.19 m  |
| <b>H</b> Wheelbase                 | 5 ft 3 in   | 1.60 m  | 5 ft 3 in    | 1.60 m  |
| <b>I</b> Ground clearance - center | 3.5 in      | .09 m   | 3.5 in       | .09 m   |

| PRODUCTIVITY              | Z™-30/20N            |               | Z™-30/20N RJ         |               |
|---------------------------|----------------------|---------------|----------------------|---------------|
| Lift capacity             | 500 lbs              | 227 kg        | 500 lbs              | 227 kg        |
| Platform rotation         | 180°                 |               | 180°                 |               |
| Vertical jib rotation     | 139°                 |               | 139°                 |               |
| Horizontal jib rotation   | —                    |               | 180°                 |               |
| Turntable rotation        | 355° non-continuous  |               | 355° non-continuous  |               |
| Turntable tailswing       | zero                 |               | zero                 |               |
| Drive speed - stowed      | 3.0 mph              | 4.8 km/h      | 3.0 mph              | 4.8 km/h      |
| Drive speed - raised**    | 0.68 mph             | 1.1 km/h      | 0.68 mph             | 1.1 km/h      |
| Gradeability - stowed***  | 35%                  |               | 35%                  |               |
| Turning radius - inside   | 5 ft 5 in            | 1.65 m        | 5 ft 5 in            | 1.65 m        |
| Turning radius - outside  | 10 ft 7 in           | 3.23 m        | 10 ft 7 in           | 3.23 m        |
| Controls                  | 24 V DC proportional |               | 24 V DC proportional |               |
| Tires - solid non-marking | 22x7x17.75 in        | .56x.18x.45 m | 22x7x17.75 in        | .56x.18x.45 m |

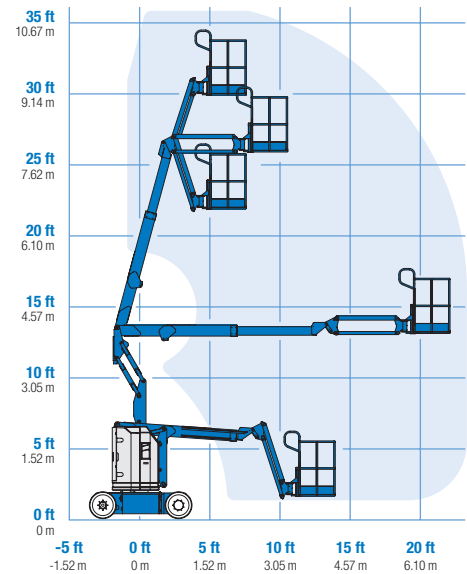
| POWER                   | Z™-30/20N  |        | Z™-30/20N RJ                                     |        |
|-------------------------|--|--------|--|--------|
| Power source            | 48 V DC (eight 6 V batteries<br>350 Ah capacity) |        | 48 V DC (eight 6 V batteries<br>350 Ah capacity) |        |
| Auxiliary power unit    | 24 V DC  |        | 24 V DC  |        |
| Hydraulic tank capacity | 4 gal  | 15.1 L | 4 gal  | 15.1 L |

| WEIGHT**** | Z™-30/20N  |          | Z™-30/20N RJ |          |
|------------|------------|----------|--------------|----------|
|            | 14,170 lbs | 6,427 kg | 14,220 lbs   | 6,450 kg |

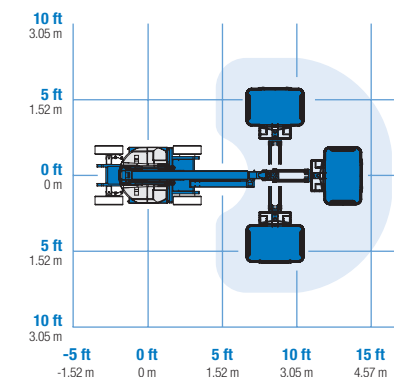
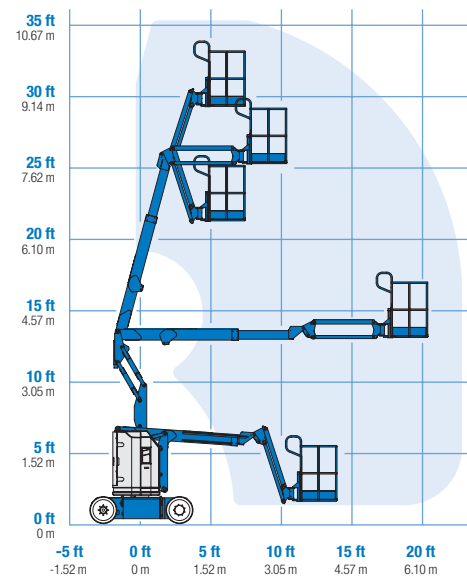
**STANDARDS COMPLIANCE** ANSI A92.5, CSA B354.4, CE Compliance, AS 1418.10

\* The metric equivalent of working height adds 2 m to platform height. U.S. adds 6 ft to platform height.  
 \*\* In lift mode \*(platform raised), the machine is designed to operate on firm, level surfaces only.  
 \*\*\* Gradeability applies to driving on slopes. See operator's manual for details regarding slope ratings.  
 \*\*\*\* Weight will vary depending on options and/or country standards.

### RANGE OF MOTION Z™-30/20N



### RANGE OF MOTION Z™-30/20N RJ



## Features

### EASILY CONFIGURED TO MEET YOUR NEEDS

#### PLATFORM

- Steel 3 ft 10 in (1.17 m) (standard)

#### JIB OPTIONS

- 4 ft (1.22 m) jib boom
- 4 ft (1.22 m) horizontal rotating jib boom

#### POWER

- 48 V DC power source

#### DRIVE

- 2WD

#### TIRE

- Solid rubber non-marking

### STANDARD FEATURES

#### MEASUREMENTS

##### Z™-30/20N

- 36 ft (11.14 m) working height
- 21 ft 5 in (6.53 m) horizontal reach
- 12 ft 8 in (3.86 m) up and over clearance
- Up to 500 lb (227 kg) lift capacity

##### Z™-30/20N RJ

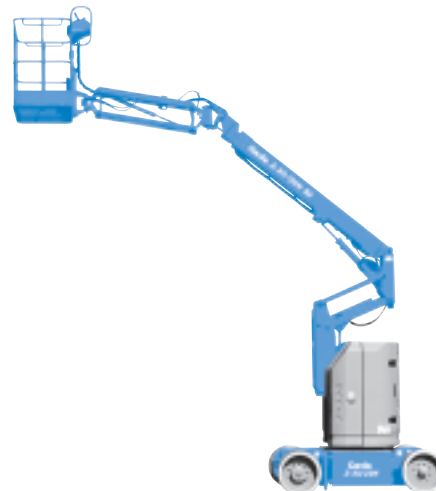
- 35 ft 2 in (10.89 m) working height
- 20 ft 6 in (6.25 m) horizontal reach
- 12 ft 8 in (3.86 m) up and over clearance
- Up to 500 lb (227 kg) lift capacity

#### PRODUCTIVITY

- 4 ft (1.22 m) jib boom with 139° working range
- Self-leveling platform
- Hydraulic platform rotation
- Fully proportional controls
- Thumb rocker steer
- Drive enable
- AC power cord to platform
- Horn
- Hour meter
- Tilt alarm
- Descent & travel alarms
- 355° non-continuous turntable rotation
- Zero tailswing and front arm swing
- Sep-Ex drive system

#### POWER

- 48 V DC deep cycle battery pack
- 24 V DC auxiliary power
- 25 Amp 48 V battery charger



### OPTIONS & ACCESSORIES

#### PRODUCTIVITY

- Platform swing gate
- Half-mesh platform inserts with swing gate
- Air line to platform
- Deluxe aircraft protection package (Z30N only)
- Fire resistant hydraulic oil
- Biodegradable hydraulic oil
- Tool tray
- Fluorescent tube caddy
- Pipe cradle (pair)
- Flashing beacon
- Platform work lights
- Lockable platform control box cover
- Front driving lights

#### POWER

- EE UL583 Fire Protection rating
- Battery charge indicator (BCI)
- Low voltage interrupt with BCI
- 800 watts inverter
- Retained key selector switch

### Genie United States

18340 NE 76th Street  
P.O. Box 97030  
Redmond, Washington 98073-9730

Telephone **+1 (425) 881-1800**  
Toll Free in USA/Canada **+1 (800) 536-1800**  
Fax +1 (425) 883-3475

### Genie Europe

Millennium House  
Brunel Drive  
Newark NG24 2DE  
UK

Telephone **+44 (0)1476 584333**  
Fax +44 (0)1476 584334

Email: [infoeurope@genieind.com](mailto:infoeurope@genieind.com)

### Distributed By: