



[www.discount-equipment.com](http://www.discount-equipment.com)

**MQ** TuffTruk  
MULTIQUIP

**Zero Emissions.  
Endless Possibilities.**







# TuffTruk

## EarthSmart™

The compact TuffTruk is ideal for interior demolition, environmental remediation, general construction, landscaping and utility work.



Rechargeable Battery Drive Model TB11E



Available with a Polyethylene Tub



Integral battery charger uses standard 120 Volt power and features overcharge protection.

### Zero emissions — easy charging!

- TuffTruk Model TB11E features a rechargeable, zero emission, high torque battery drive and provides solid eight hour run time under full load.
- Long-lasting charge lasts two to three days working under typical conditions.
- Rechargeable battery model has regenerative braking system to help slow down when stopping; this generates power back to the battery to increase efficiency and range.
- Quiet operation produces very low noise — 69 dBA using rechargeable battery.

### A compact workhorse

- True 4-wheel drive and wide flotation tires provide traction on muddy or rough terrain, with excellent climbing ability.
- Excellent maneuverability with 40° articulation angle and 58-inch turning radius.
- Rugged steel tub carries up to 10.6 ft<sup>3</sup> of material or debris and passes through 36-inch wide openings. Optional 7 ft<sup>3</sup> tub allows access through 32-inch openings.

# Adapts to your requirements with multiple, easy-to-install accessories.



**TuffTruk Extension Kit — TTE** — 33.4 or 29.0 inch width, ideal for increased capacity when carrying light loads. (Steel tub only)



**TuffTruk Dump Handle — TTH** — for added convenience when discharging tub uphill.



**TuffTruk Snow Plow — TSP** — perfect for displacing snow during poor weather conditions.



**TuffTruk Flatbed — TFB33 and TFB29** — 33.4 or 29.0 inch width, ideal for transporting heavy bags of material.



**TuffTruk 2-Inch Towing Hitch — TBH** — offers various height positions for different size trailers.



**Optional 7 ft<sup>3</sup> clip-on tub — TT7** — allows access through narrow 32-inch passageways.

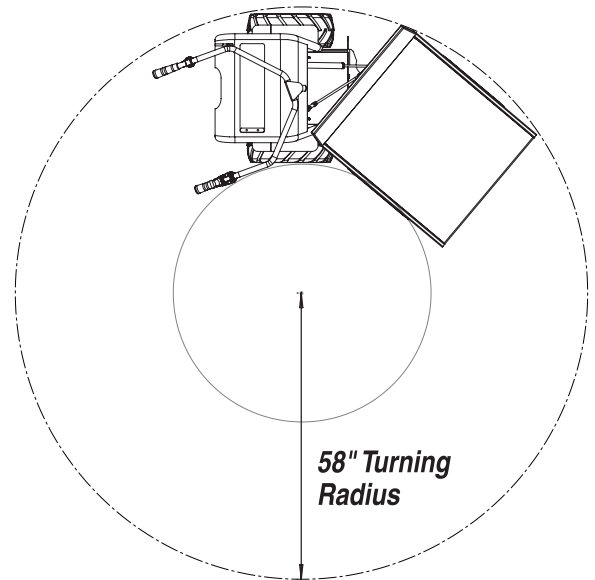
Model	TB11E	TB11G	TB11PE	TB11PG
<b>Tube Material</b>	Steel	Steel	Polyethylene	Polyethylene
<b>Tire type</b>	Pneumatic	Pneumatic	Pneumatic	Pneumatic
<b>Wheel base in.</b>	29.5	29.5	29.5	29.5
<b>Width in.</b>	34.5	34.5	34.5	34.5
<b>Length in.</b>	68.5	68.5	68.5	68.5
<b>Height in.</b>	38	38	38	38
<b>Weight lb.</b>	561	396	561	396
<b>Maximum payload capacity lb.</b>	990	990	990	990
<b>Capacity ft<sup>3</sup></b>	10.6	10.6	10.6	10.6
<b>Power Source</b>	DC brushless motor 1300W / 24V	Honda GX200 5.5 HP Gas Engine	DC brushless motor 1300W / 24V	Honda GX200 5.5 HP Gas Engine
<b>Battery type</b>	2x12 volt AGM deep cell batteries	N/A	2x12 volt AGM deep cell batteries	N/A
<b>Starting system</b>	Electric	Manual recoil	Electric	Manual recoil
<b>Drive and controls</b>	4x4 - 24 volt motor gearbox	4x4 - Hydrostatic system	4x4 - 24 volt motor gearbox	4x4 - Hydrostatic system
<b>Fuel capacity gal. (liter)</b>	None	0.682 (3.1)	None	0.682 (3.1)
<b>Travel speed forward - mph</b>	0 to 3.5	0 to 4	0 to 3.5	0 to 4
<b>Travel speed reverse - mph</b>	0 to 1.5	0 to 1.5	0 to 1.5	0 to 1.5
<b>Gradability</b>	25%	25%	25%	25%
<b>Oscillation</b>	6°	6°	6°	6°
<b>Articulation</b>	40°	40°	40°	40°
<b>Noise level dBa</b>	69	96	69	96

### Optional Clip-On Attachments

Model	Description	Weight lb.	Dimensions LxWxH in.
TBH	Towing Hitch — 2-inch diameter ball	19	28x16x8
TSP	Snow Plow — includes front tool bar attachment bracket	66	45x19x21
TBLADE	Snow Plow — replacement blade only	55	45x11x5
FTB	Snow Plow — front tool bar attachment only	15	50x16x11
TFB33	Flatbed — 33.4 inch width	65	33.5x30x6
TFB29	Flatbed — 29.0 inch width	52	30x28.5x6
TLP	Log Pole — 2 pieces	10	19x5x8
TTE	Tube Extension Kit — for light material only* ^	20	34x28x6
TTH	Tube Dump Handle — Steel Tub	4	19x5x5
TTHP	Tube Dump Handle — Polyethylene Tub	4	19x5x5
TT7	Steel Tub only, 7.0 ft <sup>3</sup> (660 lbs. capacity)	65	35x28x25
TT11	Steel Tub only, 10.6 ft <sup>3</sup> (960 lbs. capacity)	80	35x33.5x23

\* Increases capacity for lightweight material such as hay, mulch, and garden trimmings.

^ Steel tub only



www.discount-equipment.com





**TO PURCHASE THIS PRODUCT PLEASE CONTACT US**



**Equipment Financing and  
Extended Warranties Available**



**Discount-Equipment.com is your online resource for  
commercial and industrial quality parts and equipment sales.**

**561-964-4949**

**visit us on line @ [www.discount-equipment.com](http://www.discount-equipment.com)**

Select an option below to find your Equipment

**Search by Manufacturer**

**Search by Product Type**

**Request a Quote**

We sell worldwide for the brands: Genie, Terex, JLG, MultiQuip, Mikasa, Essick, Whiteman, Mayco, Toro Stone, Diamond Products, Generac Magnum, Airman, Haulotte, Barreto, Power Blanket, Nifty Lift, Atlas Copco, Chicago Pneumatic, Allmand, Miller Curber, Skyjack, Lull, Skytrak, Tsurumi, Husquvarna Target, Stow, Wacker, Sakai, Mi-T-M, Sullair, Basic, Dynapac, MBW, Weber, Bartell, Bennar Newman, Haulotte, Ditch Runner, Menegotti, Morrison, Contec, Buddy, Crown, Edco, Wyco, Bomag, Laymor, EZ Trench, Bil-Jax, F.S. Curtis, Gehl Pavers, Heli, Honda, ICS/PowerGrit, IHI, Partner, Imer, Clipper, MMD, Koshin, Rice, CH&E, General Equipment, Amida, Coleman, NAC, Gradall, Square Shooter, Kent, Stanley, Tamco, Toku, Hatz, Kohler, Robin, Wisconsin, Northrock, Oztec, Toker TK, Rol-Air, APT, Wylie, Ingersoll Rand / Doosan, Innovatech, Con X, Ammann, Mecalac, Makinex, Smith Surface Prep, Small Line, Wanco, Yanmar