

PARTS MANUAL



MULTIQUIP®



TuffTruk

MODEL

TB11G/TB11PG

TB11E/TB11PE

WALK-BEHIND

POWER BUGGY

**(HONDA GX200UT2QX4 GASOLINE ENGINE/
24VDC, 1300W ELECTRIC MOTOR)**

Revision #3 (09/14/21)



www.discount-equipment.com

THIS MANUAL MUST ACCOMPANY THE EQUIPMENT AT ALL TIMES.

PARTS FINDER

**Search Website
by Part Number**



**Search Manual
Library For Parts
Manual & Lookup Part
Numbers – Purchase
or Request Quote**

Search Manuals

Enter your information to help us find the right parts manual for your machine.

* Brand:

* Model:

* Serial:

* Part Number:

SEARCH

**Can't Find Part or
Manual? Request Help
by Manufacturer,
Model & Description**

Parts Order Form

Please fill in the following information to help us find the right part for your machine.

| | |
|---------------|----------------------|
| Manufacturer: | <input type="text"/> |
| Model: | <input type="text"/> |
| Description: | <input type="text"/> |
| Part Number: | <input type="text"/> |
| Quantity: | <input type="text"/> |
| Notes: | <input type="text"/> |

Discount-Equipment.com is your online resource for quality parts & equipment.

Florida: **561-964-4949** Outside Florida TOLL FREE: **877-690-3101**

Need parts?

Click on this link: <http://www.discount-equipment.com/category/5443-parts/> and choose one of the options to help get the right parts and equipment you are looking for. Please have the machine model and serial number available in order to help us get you the correct parts. If you don't find the part on the website or on one of the online manuals, please fill out the request form and one of our experienced staff members will get back to you with a quote for the right part that your machine needs.

We sell worldwide for the brands: Genie, Terex, JLG, MultiQuip, Mikasa, Essick, Whiteman, Mayco, Toro Stone, Diamond Products, Generac Magnum, Airman, Haulotte, Barreto, Power Blanket, Nifty Lift, Atlas Copco, Chicago Pneumatic, Allmand, Miller Curber, Skyjack, Lull, Skytrak, Tsurumi, Husquvarna Target, Stow, Wacker, Sakai, Mi-T-M, Sullair, Basic, Dynapac, MBW, Weber, Bartell, Bennar Newman, Haulotte, Ditch Runner, Menegotti, Morrison, Contec, Buddy, Crown, Edco, Wyco, Bomag, Laymor, EZ Trench, Bil-Jax, F.S. Curtis, Gehl Pavers, Heli, Honda, ICS/PowerGrit, IHI, Partner, Imer, Clipper, MMD, Koshin, Rice, CH&E, General Equipment, Amida, Coleman, NAC, Gradall, Square Shooter, Kent, Stanley, Tamco, Toku, Hatz, Kohler, Robin, Wisconsin, Northrock, Oztec, Toker TK, Rol-Air, APT, Wylie, Ingersoll Rand / Doosan, Innovatech, Con X, Ammann, Mecalac, Makinex, Smith Surface Prep, Small Line, Wanco, Yanmar

TB11G/PG-TB11E/PE TuffTruk Walk-Behind Power Buggy

| | |
|--|---|
| Explanation of Code in Remarks Column..... | 4 |
| Suggested Spare Parts | 5 |

Component Drawings

| | |
|---|-------|
| Nameplate and Decals Assembly..... | 6-7 |
| Top Frame Steering Assembly (Electric) | 8-9 |
| Top Frame Steering Assembly (Gas)..... | 10-11 |
| Front Chassis Assembly (Electric/Gas) | 12-13 |
| Transmission Assembly (Gas) | 14-15 |
| Battery Assembly (Electric) | 16-17 |
| Control Panel/Controller Assembly (Electric)... | 18-19 |
| Center Steering Assembly (Electric/Gas) | 20-21 |
| Electric Motor/Transmission Mounting Assy. ... | 22-23 |
| Engine Mounting Assembly | 24-25 |
| Front Axle Assembly (Electric/Gas) | 26-27 |
| Rear Axle Assembly (Electric) | 28-29 |
| Rear Axle Assembly (Gas) | 30-31 |
| Tub Mount Assembly (Electric/Gas) | 32-33 |
| Power/Gnd Cable Assembly (Electric)..... | 34-35 |
| Harness Assembly (Electric) | 36-37 |
| Tub Tipping Handle Assembly (Option) | 38-39 |
| Tub Extension Assembly (Option) | 40-41 |
| Tow Hitch Assembly | 42-43 |
| Flatbed Assembly | 44-45 |
| Flatbed Load Stop Assembly (Option)..... | 46-47 |
| Snowplow Assembly (Option)..... | 48-49 |

NOTICE

Specifications are subject to change without notice.

EXPLANATION OF CODE IN REMARKS COLUMN

The following section explains the different symbols and remarks used in the Parts section of this manual. Use the help numbers found on the back page of the manual if there are any questions.

NOTICE

The contents and part numbers listed in the parts section are subject to change **without notice**. Multiquip does not guarantee the availability of the parts listed.

SAMPLE PARTS LIST

| NO. | PART NO. | PART NAME | QTY. | REMARKS |
|-----|----------|----------------------|------|---------------------|
| 1 | 12345 | BOLT | 1 | INCLUDES ITEMS W/% |
| 2% | | WASHER, 1/4 IN. | | NOT SOLD SEPARATELY |
| 2% | 12347 | WASHER, 3/8 IN. ... | 1 | MQ-45T ONLY |
| 3 | 12348 | HOSE | A/R | MAKE LOCALLY |
| 4 | 12349 | BEARING | 1 | S/N 2345B AND ABOVE |

NO. Column

Unique Symbols — All items with same unique symbol (@, #, +, %, or >) in the number column belong to the same assembly or kit, which is indicated by a note in the “Remarks” column.

Duplicate Item Numbers — Duplicate numbers indicate multiple part numbers, which are in effect for the same general item, such as different size saw blade guards in use or a part that has been updated on newer versions of the same machine.

NOTICE

When ordering a part that has more than one item number listed, check the remarks column for help in determining the proper part to order.

PART NO. Column

Numbers Used — Part numbers can be indicated by a number, a blank entry, or TBD.

TBD (To Be Determined) is generally used to show a part that has not been assigned a formal part number at the time of publication.

A blank entry generally indicates that the item is not sold separately or is not sold by Multiquip. Other entries will be clarified in the “Remarks” Column.

QTY. Column

Numbers Used — Item quantity can be indicated by a number, a blank entry, or A/R.

A/R (As Required) is generally used for hoses or other parts that are sold in bulk and cut to length.

A blank entry generally indicates that the item is not sold separately. Other entries will be clarified in the “Remarks” Column.

REMARKS Column

Some of the most common notes found in the “Remarks” Column are listed below. Other additional notes needed to describe the item can also be shown.

Assembly/Kit — All items on the parts list with the same unique symbol will be included when this item is purchased.

Indicated by:

“INCLUDES ITEMS W/(unique symbol)”

Serial Number Break — Used to list an effective serial number range where a particular part is used.

Indicated by:

“S/N XXXXX AND BELOW”

“S/N XXXX AND ABOVE”

“S/N XXXX TO S/N XXX”

Specific Model Number Use — Indicates that the part is used only with the specific model number or model number variant listed. It can also be used to show a part is NOT used on a specific model or model number variant.

Indicated by:

“XXXXX ONLY”

“NOT USED ON XXXX”

“Make/Obtain Locally” — Indicates that the part can be purchased at any hardware shop or made out of available items. Examples include battery cables, shims, and certain washers and nuts.

“Not Sold Separately” — Indicates that an item cannot be purchased as a separate item and is either part of an assembly/kit that can be purchased, or is not available for sale through Multiquip.

SUGGESTED SPARE PARTS

TUFFTRUK POWER BUGGY WITH 1300 WATT ELECTRIC MOTOR

1 to 3 units

| Qty. | P/N | Description |
|------|------------|--------------------------|
| 3 | 70-0142 | FUSE, 10A IGNITION |
| 3 | 70-0131 | FUSE, 125A CONTROLLER |
| 3 | 70-0140 | 5K OHM POTENTIOMETER |
| 3 | 70-0141 | MICROSWITCH, ROLLER |
| 3 | 70-0128 | SOLENOID, 24 VDC |
| 1 | 70-0127 | EMERG. STOP SWITCH |
| 1 | 70-0134 | BATTERY CHARGER |
| 1 | 60-6509RHF | WHEEL RIGHT-SIDE F/R |
| 1 | 60-6509LHF | WHEEL LEFT-SIDE F/R |
| 2 | 70-0150 | IGNITION SW W/KEYS |
| 2 | 75-02000 | LEVER/CABLE ASSY., DM |
| 2 | 75-01900 | LEVER/CABLE ASSY., F |
| 2 | 75-02100 | LEVER ASSY., W/REV SW |
| 2 | 70-0164 | CABLE ASSY., 2-WIRE, REV |
| 4 | 74-1022 | GRIP, HANDLE BAR |
| 2 | 2-1100 | CYLINDER, DAMPNER |
| 2 | 3-5026-0 | ROD END M10, RIGHT-HAND |

TUFFTRUK POWER BUGGY WITH HONDA GX200UT2QX4 GASOLINE ENGINE

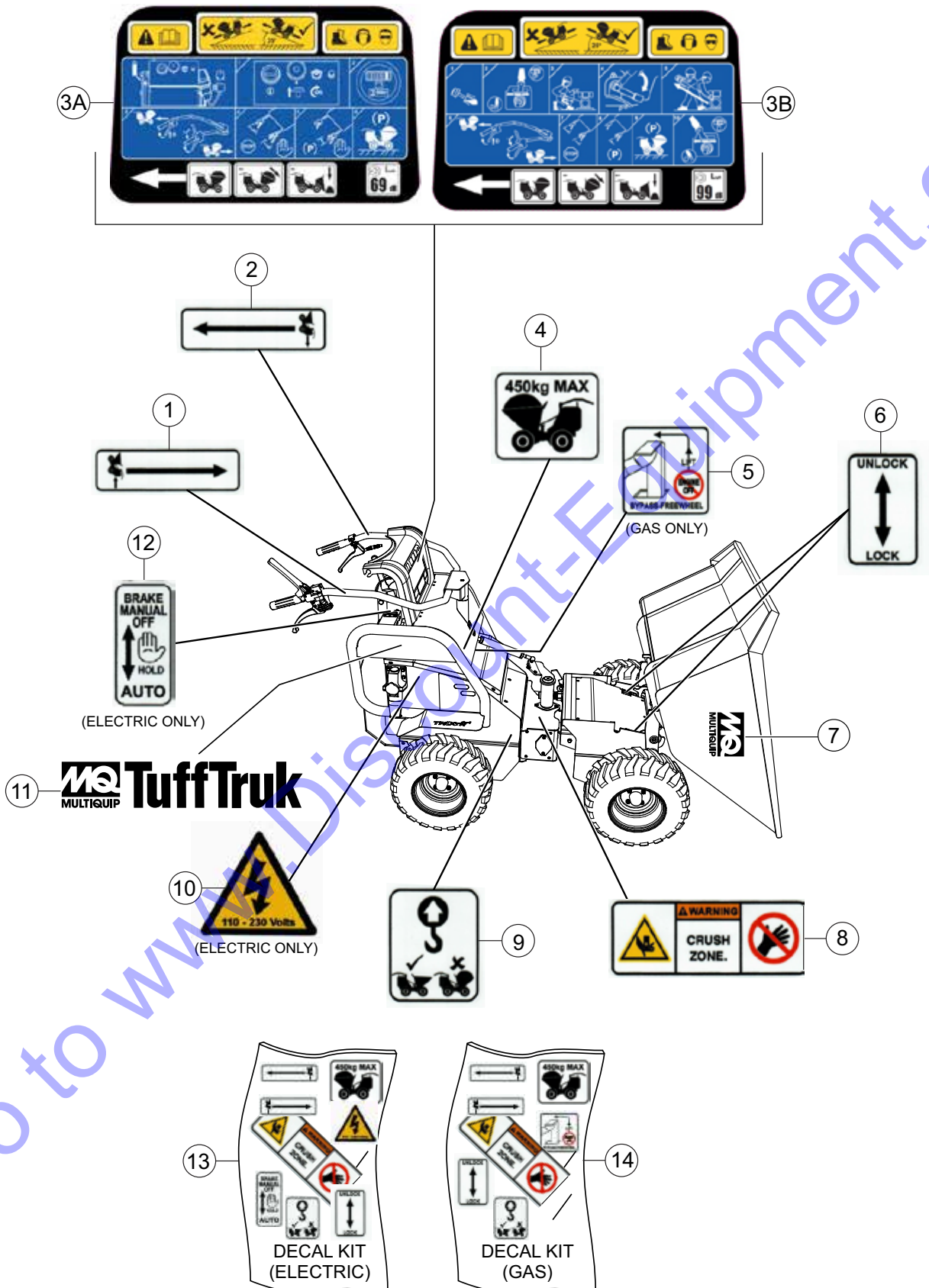
1 to 3 units

| Qty. | P/N | Description |
|------|-------------|-------------------------|
| 1 | 60-6509RHF | WHEEL RIGHT-SIDE F/R |
| 1 | 60-6509LHF | WHEEL LEFT-SIDE F/R |
| 3 | 9807956876 | SPARK PLUG NKG |
| 3 | 28461Z4M305 | GRIP, STARTER ROPE |
| 4 | 74-1022 | GRIP, HANDLE BAR |
| 1 | 28462ZH8003 | ROPE, STARTER |
| 3 | 17210ZE1822 | AIR FILTER DUAL |
| 3 | 12218ZE1821 | AIR FILTER, OUTER |
| 3 | 17620Z4H900 | CAP, FUEL TANK |
| 3 | 21-3030 | V-BELT, A22 |
| 3 | 6-2002 | SPIN-ON OIL FILTER |
| 2 | 75-01700 | LEVER/CABLE ASSY., DM |
| 2 | 75-01500 | LEVER/CABLE ASSY., F/R |
| 2 | 2-1100 | CYLINDER, DAMPNER |
| 2 | 3-5026-0 | ROD END M10, RIGHT-HAND |

NOTICE

Part numbers on this Suggested Spare Parts list may supersede/replace the part numbers shown in the following parts lists.

NAMEPLATE AND DECALS ASSY.

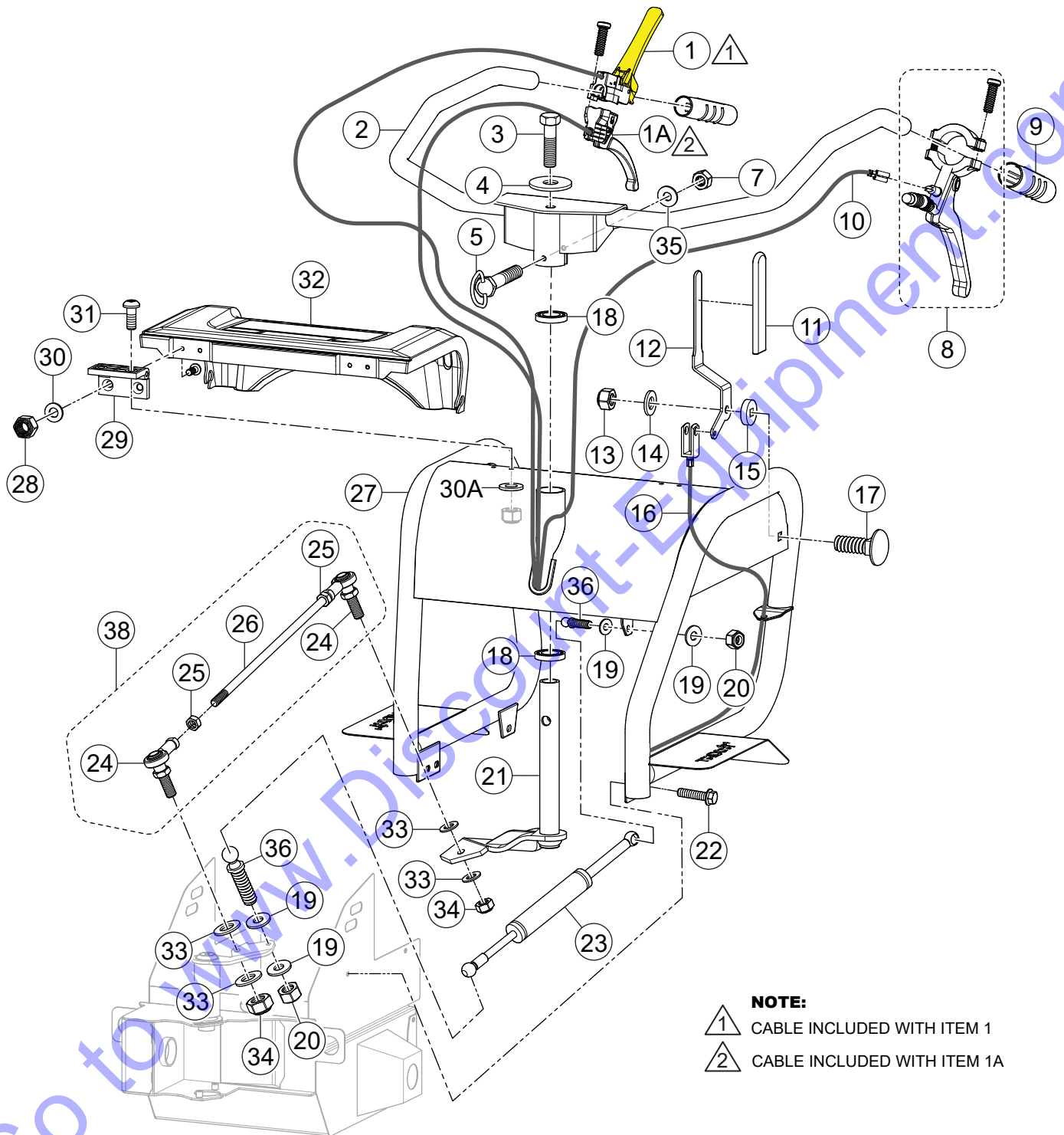


NAMEPLATE AND DECALS ASSY.

| <u>NO.</u> | <u>PART NO.</u> | <u>PART NAME</u> | <u>QTY.</u> | <u>REMARKS</u> |
|------------|-----------------|--------------------------------------|-------------|--------------------|
| 1#% | | DECAL, FORWARD TRAVEL | 1 | |
| 2#% | | DECAL, REVERSE TRAVEL | 1 | |
| 3A# | 800-11103 | DECAL, SET OPERATION | 1 | ELECTRIC ONLY |
| 3B% | 800-11101 | DECAL, SET OPERATION | 1 | GAS ONLY |
| 4#% | | DECAL, LOAD CAPACITY 992 LB. (450KG) | 1 | |
| 5% | | DECAL, BYPASS FREEWHEEL..... | 1 | GAS ONLY |
| 6#% | | DECAL, LOCK/UNLOCK TUB | 2 | |
| 7 | 800-15067 | DECAL, MQ LOGO | 2 | |
| 8#% | | DECAL, WARNING, CRUSH ZONE | 1 | |
| 9#% | | DECAL, LIFTING POINT | 1 | |
| 10# | | DECAL, ELECTRICAL SHOCK HAZARD | 1 | |
| 11 | 80015066 | DECAL, MQ/TUFFTRUK LOGO | 2 | |
| 12# | | DECAL, BRAKE RELEASE, BYPASS | 1 | ELECTRIC ONLY |
| 13 | 800-11122 | DECAL, SET ELECTRIC | 1 | INCLUDES ITEMS W/# |
| 14 | 800-11122 | DECAL, SET GAS | 1 | INCLUDES ITEMS W/% |

Go to www.Discount-Equipment.com

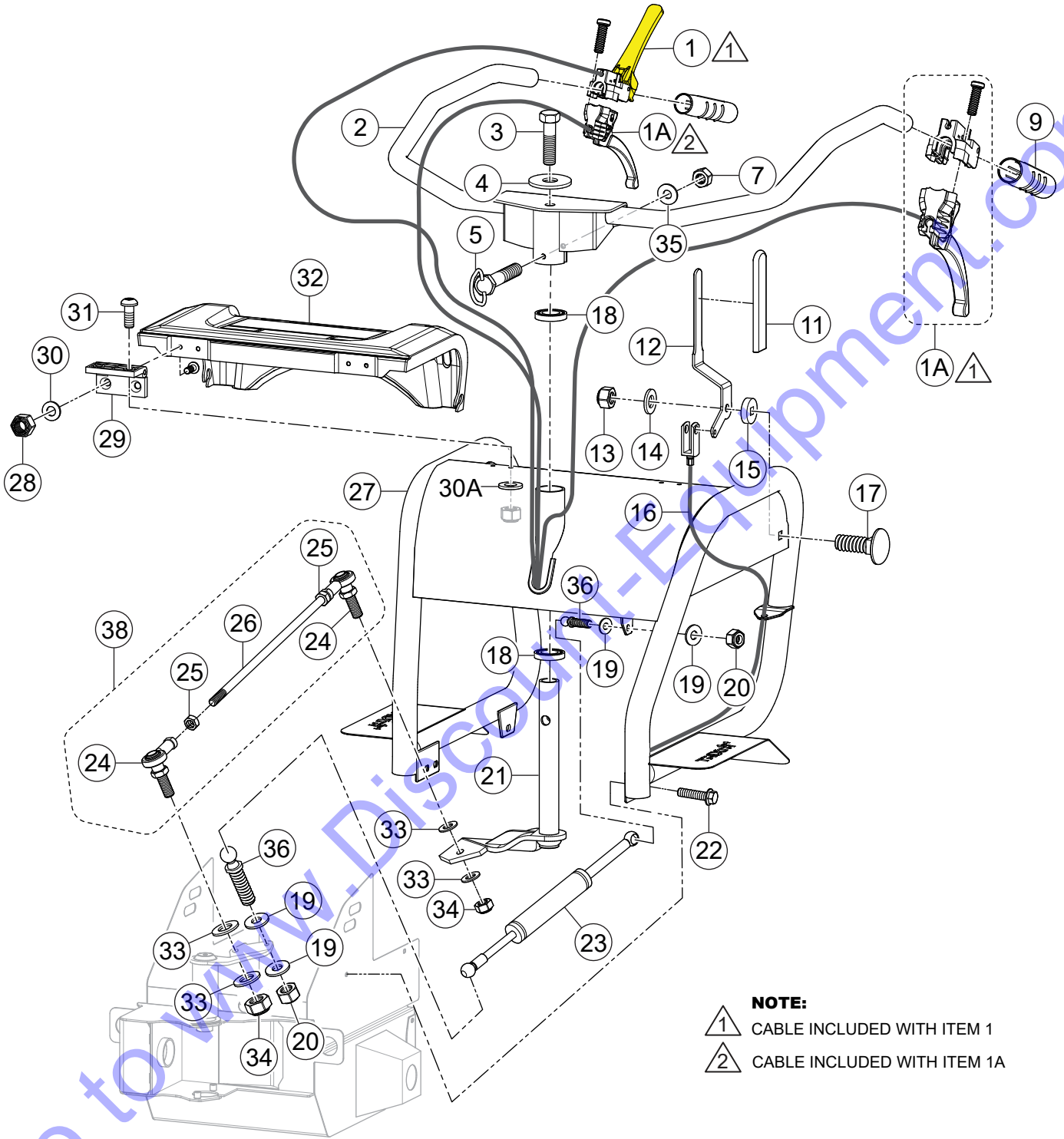
TOP FRAME STEERING ASSY. (ELECTRIC)



TOP FRAME STEERING ASSY. (ELECTRIC)

| <u>NO.</u> | <u>PART NO.</u> | <u>PART NAME</u> | <u>QTY.</u> | <u>REMARKS</u> |
|------------|-----------------|-------------------------------|-------------|-----------------------|
| 1 | 75-02000 | LEVER/CABLE ASSY., DEADMAN | 1 | |
| 1A | 75-01900 | LEVER/CABLE ASSY., FWD/REV | 1 | |
| 2 | 101-01000 | HANDLE AND PIVOT | 1 | |
| 3 | 7-10005 | BOLT M10X25" | 1 | |
| 4 | 4-1040 | WASHER, M10 | 1 | |
| 5 | 9-10012 | TEE-BOLT, M10X60 MM | 1 | |
| 7 | 8-10006 | NUT, NYLOC M10 | 4 | |
| 8 | 75-02100 | LEVER ASSY., REVERSE W/SWITCH | 1 | |
| 9 | 74-1022 | HANDLE, GRIP | 2 | |
| 10 | 70-0164 | CABLE ASSY., 2-WIRE, REVERSE | 1 | |
| 11 | 72-0200 | GRIP, DUMP LEVER | 1 | |
| 12 | 101-99914 | DUMP LEVER | 1 | |
| 13 | 8-10004 | NUT, M10 THIN LOCK | 2 | |
| 14 | 4-1005 | WASHER | 1 | |
| 15 | 102-99939 | SPACER, DUMP LEVER | 1 | |
| 16 | 75-00900 | CABLE, TUB RELEASE | 1 | |
| 17 | 7-10130 | CARRIAGE BOLT, M10X30 | 1 | |
| 18 | 53-0160 | BEARING | 2 | |
| 19 | 4-8006 | WASHER, M8 | 3 | |
| 20 | 8-8008 | NUT, M8 NYLOC | 3 | |
| 21 | 101-00800 | STEERING PIVOT, REAR | 1 | |
| 22 | 7-8080 | BOLT, HEX M8X20" | 6 | |
| 23 | 2-1100 | CYLINDER, DAMPENER | 1 | |
| 24 | 3-5026-0 | ROD END M10, RIGHT-HAND | 2 | S/N B181709 AND BELOW |
| 25 | 8-10003 | NUT, M10 | 2 | S/N B181709 AND BELOW |
| 26 | 101-00901 | ROD, STEERING | 1 | S/N B181709 AND BELOW |
| 27 | 101-00400 | TOP FRAME | 1 | |
| 28 | 8-6007 | NUT, NYLOC M6 | 8 | |
| 29 | 74-1023 | HINGE | 2 | |
| 30 | 4-6018 | WASHER, M6 14 MM | 4 | |
| 30A | 4-6001 | WASHER, M6 12.5 MM | 4 | |
| 31 | 7-6007 | SCREW, COUNTERSUNK M6X15" | 4 | |
| 32 | 101-99945 | ENGINE COVER | 1 | |
| 33 | 4-1005 | WASHER, M10 | 4 | |
| 34 | 8-10006 | NUT, NYLOC | 2 | |
| 35 | 4-1005 | WASHER, M10 | 1 | |
| 36 | 7-8007 | SCREW, SET M8X35 MM | 2 | |
| 37 | 4-8020 | SPACER, M8 | 1 | |
| 38 | 101-04700 | STEERING ROD ASSY..... | 1 | S/N B181710 AND ABOVE |

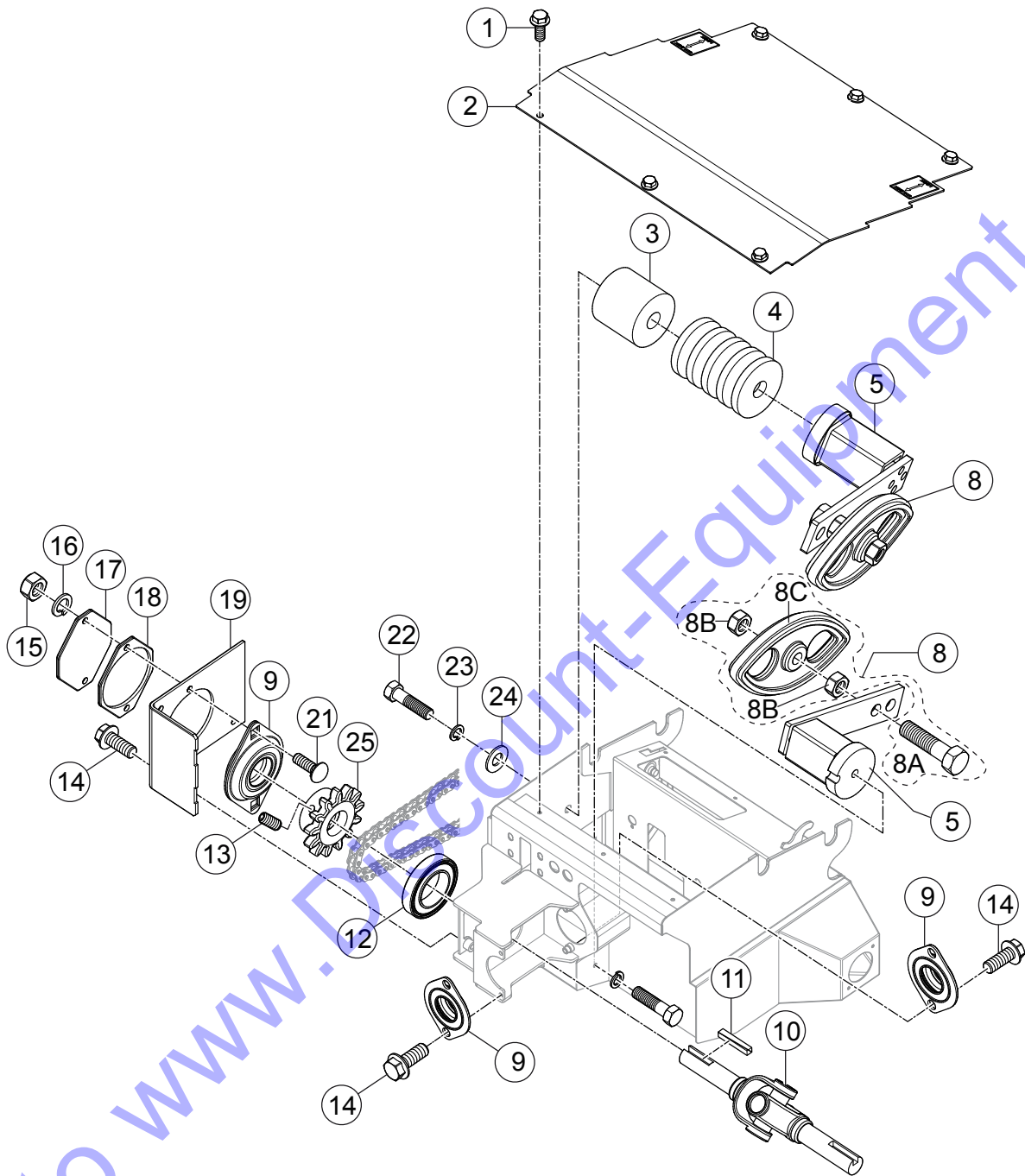
TOP FRAME STEERING ASSY. (GAS)



TOP FRAME STEERING ASSY. (GAS)

| <u>NO.</u> | <u>PART NO.</u> | <u>PART NAME</u> | <u>QTY.</u> | <u>REMARKS</u> |
|------------|-----------------|----------------------------|-------------|-----------------------|
| 1 | 75-01700 | LEVER/CABLE ASSY., DEADMAN | 1 | |
| 1A | 75-01500 | LEVER/CABLE ASSY, FWD REV | 2 | |
| 2 | 101-01000 | HANDLE AND PIVOT | 1 | |
| 3 | 7-10005 | SCREW SET M10X25" | 1 | |
| 4 | 4-1040 | WASHER, M10 | 1 | |
| 5 | 9-10012 | TEE-BOLT, M10X60" | 1 | |
| 7 | 8-10006 | NUT, NYLOC M10 | 4 | |
| 9 | 74-1022 | HANDLE GRIP | 2 | |
| 11 | 72-0200 | GRIP, DUMP LEVER | 1 | |
| 12 | 101-99914 | DUMP LEVER | 1 | |
| 13 | 8-10004 | NUT, M10 THIN LOCK | 2 | |
| 14 | 4-1005 | WASHER | 1 | |
| 15 | 102-99939 | SPACER TUB, LEVER | 1 | |
| 16 | 75-00900 | CABLE, TUB RELEASE | 1 | |
| 17 | 7-10130 | CARRIAGE BOLT M10X30" | 1 | |
| 18 | 53-0160 | BEARING | 2 | |
| 19 | 4-8006 | WASHER, M8 | 3 | |
| 20 | 8-8008 | NUT, M8 NYLOC | 3 | |
| 21 | 101-00800 | STEERING PIVOT, REAR | 1 | |
| 22 | 2257383 | BOLT, HEX M8X20" | 6 | |
| 23 | 2-1100 | DAMPER ASSY. | 1 | |
| 24 | 3-5026-0 | ROD END M10, RIGHT-HAND | 2 | S/N B181709 AND BELOW |
| 25 | 8-10003 | NUT, M10 | 2 | S/N B181709 AND BELOW |
| 26 | 101-00901 | ROD, STEERING | 1 | S/N B181709 AND BELOW |
| 27 | 101-00400 | TOP FRAME | 1 | |
| 28 | 1500265 | NUT, NYLOC M6 | 8 | |
| 29 | 74-1023 | HINGE | 2 | |
| 30 | 4-6018 | WASHER, M6 14 MM | 4 | |
| 30A | 4-6001 | WASHER, M6 12.5 MM | 4 | |
| 31 | 1500234 | SCREW, COUNTERSUNK 6"X15" | 4 | |
| 32 | 101-99945 | ENGINE COVER | 1 | |
| 33 | 4-1005 | WASHER, M10 | 4 | |
| 34 | 8-10006 | NUT, NYLOC | 2 | |
| 35 | 4-1005 | WASHER, M10 | 1 | |

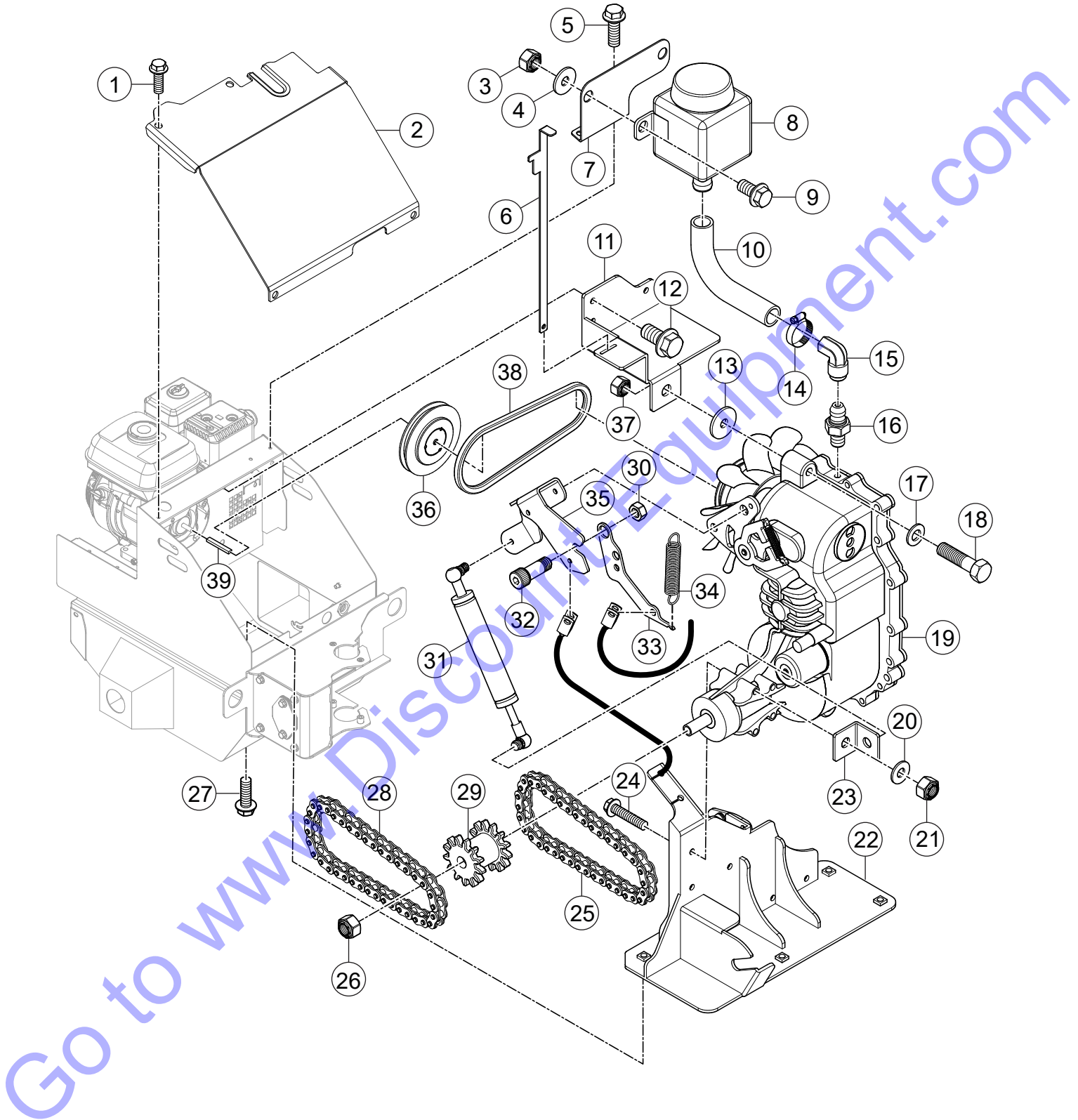
FRONT CHASSIS ASSY. (ELECTRIC/GAS)



FRONT CHASSIS ASSY. (ELECTRIC/GAS)

| <u>NO.</u> | <u>PART NO.</u> | <u>PART NAME</u> | <u>QTY.</u> | <u>REMARKS</u> |
|------------|-----------------|-------------------------------|-------------|--------------------|
| 1 | 7-6060 | SCREW, SERRATED, M6X14 | 6 | |
| 2 | 101-99908 | PANEL, FRONT TOP | 1 | |
| 3 | 104-99913 | BOSS TENSIONER SPACER | 1 | |
| 4 | 4-9031 | WASHER | 6 | |
| 5 | 2-1001 | TENSIONER ASSY. | 2 | |
| 8 | 104999255 | CHAIN RIDER KIT | 2 | INCLUDES ITEMS W/# |
| 8A# | 9-10007 | SCREW | 2 | |
| 8B# | 8-10003 | NUT M10 | 4 | |
| 8C# | 2-1009 | CHAIN RIDER | 2 | |
| 9 | 53-0120 | FLANGE BEARING | 3 | |
| 10 | 21-0650 | DRIVE, U-JOINT SHAFT ASSEMBLY | 1 | |
| 11 | 21-1200 | SQUARE KEY, 3/16"X40MM | 3 | |
| 12 | 53-0170 | BEARING | 1 | |
| 13 | 7-6031 | SET SCREW, M6X12" | 2 | |
| 14 | 2257383 | BOLT, HEX M8X20" | 24 | |
| 15 | 8-8008 | NUT, M8 NYLOC | 2 | |
| 16 | 4-8003 | WASHER, LOCK | 2 | |
| 17 | 101-99942 | PLATE, BEARING COVER | 1 | |
| 18 | 101-99943 | SPACER, BEARING COVER | 1 | |
| 19 | 101-99961 | COVER, BEARING FRONT | 1 | |
| 21 | 9-8067 | CARRIAGE BOLT M8X25" | 2 | |
| 22 | 9-8022 | BOLT, HEX M8X70" | 1 | |
| 23 | 4-8003 | WASHER, LOCK M8 | 1 | |
| 24 | 102-99940 | BOSS TENSIONER SUPPORT | 2 | |
| 25 | 21-1500 | SPROCKET, 13T | 1 | |

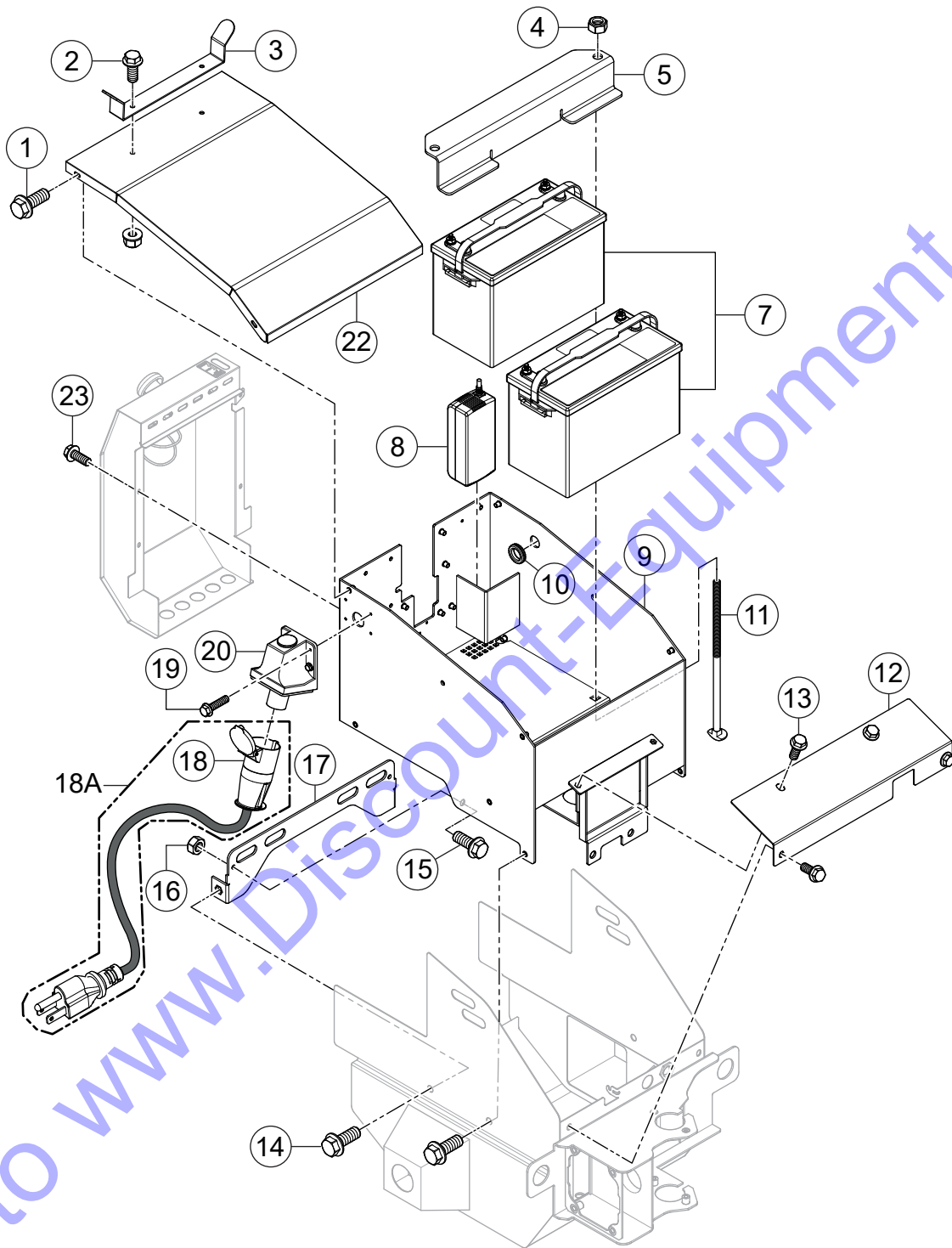
TRANSMISSION ASSY. (GAS)



TRANSMISSION ASSY. (GAS)

| <u>NO.</u> | <u>PART NO.</u> | <u>PART NAME</u> | <u>QTY.</u> | <u>REMARKS</u> |
|------------|-----------------|----------------------------------|-------------|----------------|
| 1 | 7-6060 | SCREW, SERRATED M6X14 | 1 | |
| 2 | 101-99951 | COVER, REAR UNIT | 1 | |
| 3 | 8-6007 | NUT | 1 | |
| 4 | 4-6018 | WASHER, M6 | 1 | |
| 5 | 7-6060 | SCREW, SERRATED M6X14 | 1 | |
| 6 | 101-99952 | PLATE, PUMP OVERRIDE | 1 | |
| 7 | 101-99943 | SPACER, BEARING COVER | 1 | |
| 8 | 6-2001 | HYDRAULIC OIL TANK | 1 | |
| 9 | 7-6060 | SCREW, SERRATED M6X14 | 1 | |
| 10 | 6-0004 | HOSE, 3/4" REINFORCED | 1 | |
| 11 | 101-99949 | BRACKET, CORNER UPPER | 1 | |
| 12 | 7-6060 | SCREW, SERRATED M6X14 | 1 | |
| 13 | 8-4004 | WASHER | 1 | |
| 14 | 6-0003 | PINCH CLIP, HOSE | 2 | |
| 15 | 6-0002 | ELBOW, 90° F-M 1/4" | 1 | |
| 16 | 6-0001 | STRAIGHT FITTING, 7/16" UNC-1/4" | 1 | |
| 17 | 4-8006 | WASHER | 1 | |
| 18 | 9-8020 | SCREW | 1 | |
| 19 | 6-2000 | TRANSMISSION UNIT | 1 | |
| 20 | 8-4004 | WASHER | 1 | |
| 21 | 8-8008 | NUT | 1 | |
| 22 | 101-03600 | BRACKET, BASE | 1 | |
| 23 | 101-99962 | BRACKET, DAMPENER | 1 | |
| 24 | 9-8022 | SCREW | 1 | |
| 25 | 21-2090 | CHAIN, REAR 5/8" LONG | 1 | |
| 26 | 8-19001 | NUT, UNF 3/4" | 1 | |
| 27 | 7-8080 | SCREW | 1 | |
| 28 | 21-2080 | CHAIN, REAR 5/8" SHORT | 1 | |
| 29 | 101-03700 | SHAFT, OUTPUT DRIVE | 1 | |
| 31 | 2-1300 | DAMPENER STRUT | 1 | |
| 32 | 9-10034 | SHOULDER BOLT M10X16" | 1 | |
| 33 | 101-99948 | PLATE, BRAKE LOCK | 1 | |
| 34 | 2-1011 | SPRING | 1 | |
| 35 | 101-99947 | BRACKET, LEVER DIRECTION | 1 | |
| 36 | 21-3040 | PULLEY | 1 | |
| 37 | 8-8008 | NUT | 1 | |
| 38 | 21-3030 | V-BELT, A22 | 1 | |
| 39 | 21-0800 | KEY, 3/16" SQ.X2"X30 MM | 1 | |

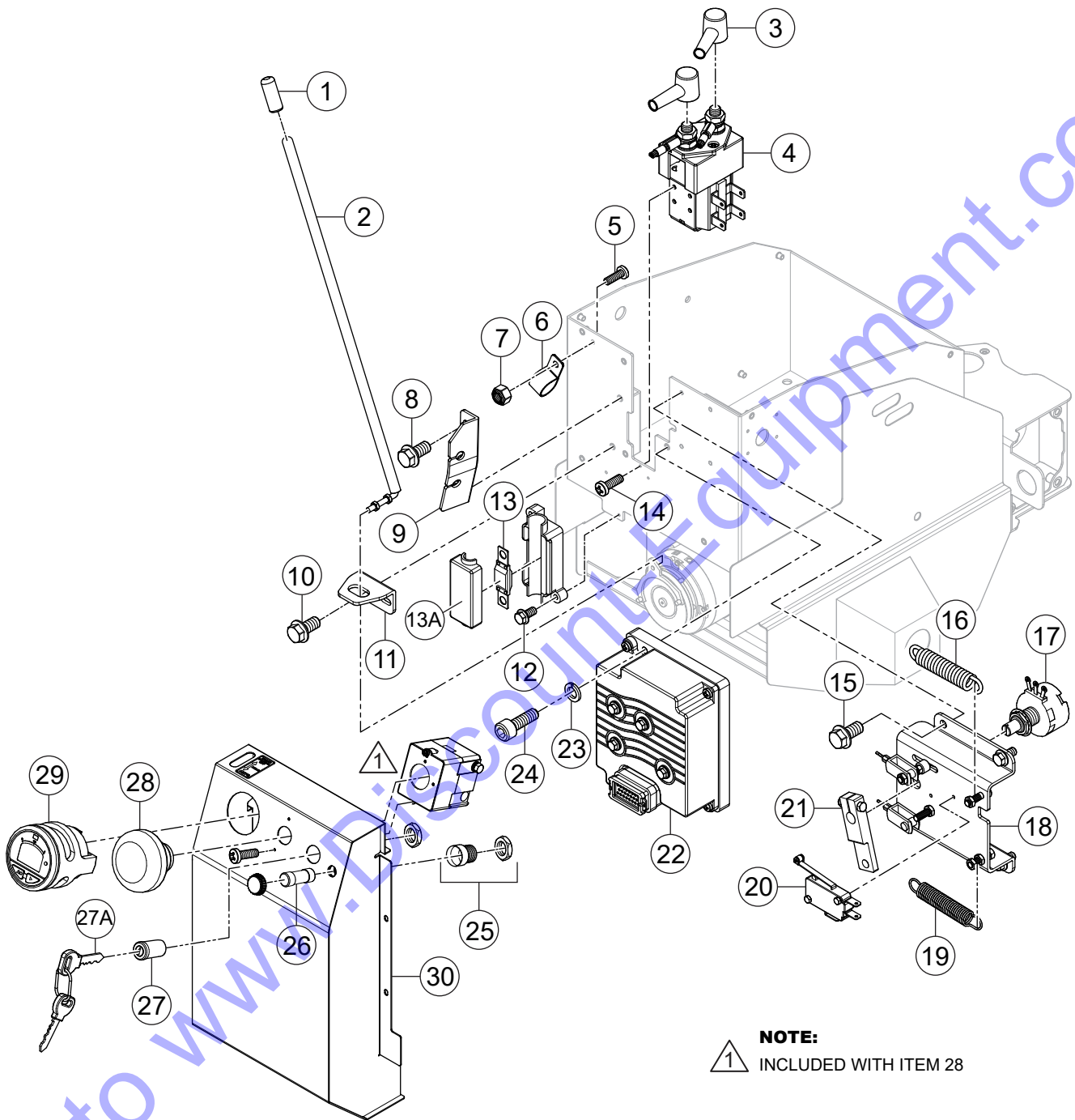
BATTERY ASSY. (ELECTRIC)



BATTERY ASSY. (ELECTRIC)

| <u>NO.</u> | <u>PART NO.</u> | <u>PART NAME</u> | <u>QTY.</u> | <u>REMARKS</u> |
|------------|-----------------|----------------------------|-------------|-----------------------|
| 1 | 7-6060 | SCREW, SERRATED M6X14 | 4 | |
| 2 | 7-6060 | SCREW, SERRATED M6X14 | 1 | |
| 3 | 101-99967 | BRACKET, CABLE WRAP | 1 | |
| 4 | 8-10006 | NUT, M10 NYLOC | 2 | |
| 5 | 10199946 | BRACKET, BATTERY TIE-DOWN | 1 | |
| 7 | 70-3100 | BATTERY, 27-AGM | 2 | |
| 8 | 70-0134 | BATTERY, CHARGER | 1 | |
| 9 | 101-03800 | BATTERY, BOX | 1 | |
| 10 | 72-1600 | GROMMET, 20MM | 1 | |
| 11 | 9-10033 | CARRIAGE BOLT, M10X220" | 2 | |
| 12 | 101-99965 | CENTER PANEL | 1 | |
| 13 | 7-6060 | SCREW, SERRATED M6X14 | 4 | |
| 14 | 7-8080 | SCREW, SERRATED M8X20 | 2 | |
| 15 | 7-8080 | SCREW, SERRATED M8X20 | 2 | |
| 16 | 8-8008 | NUT, M8 | 2 | |
| 17 | 101-99977 | BRACKET | 1 | DEC. 2017 AND BELOW |
| 18 | 70-0139 | PLUG, POWER CABLE | 1 | S/N B192066 AND BELOW |
| 18 | 70-0169 | PLUG, POWER CABLE | 1 | S/N B192067 AND ABOVE |
| 18A | 70-0157 | POWER CABLE ASSEMBLY | 1 | S/N B192066 AND BELOW |
| 18A | 70-0168 | POWER CABLE ASSEMBLY | 1 | S/N B192067 AND ABOVE |
| 19 | 7-4012 | SCREW, M4X12 | 4 | |
| 20 | 70-0137 | RECEPTACLE INLET, 120 VAC | 1 | |
| 22 | 101-99964 | TOP COVER, BATTERY BOX | 1 | |
| 23 | 7-6060 | SCREW, SERRATED M6X14 | 3 | |

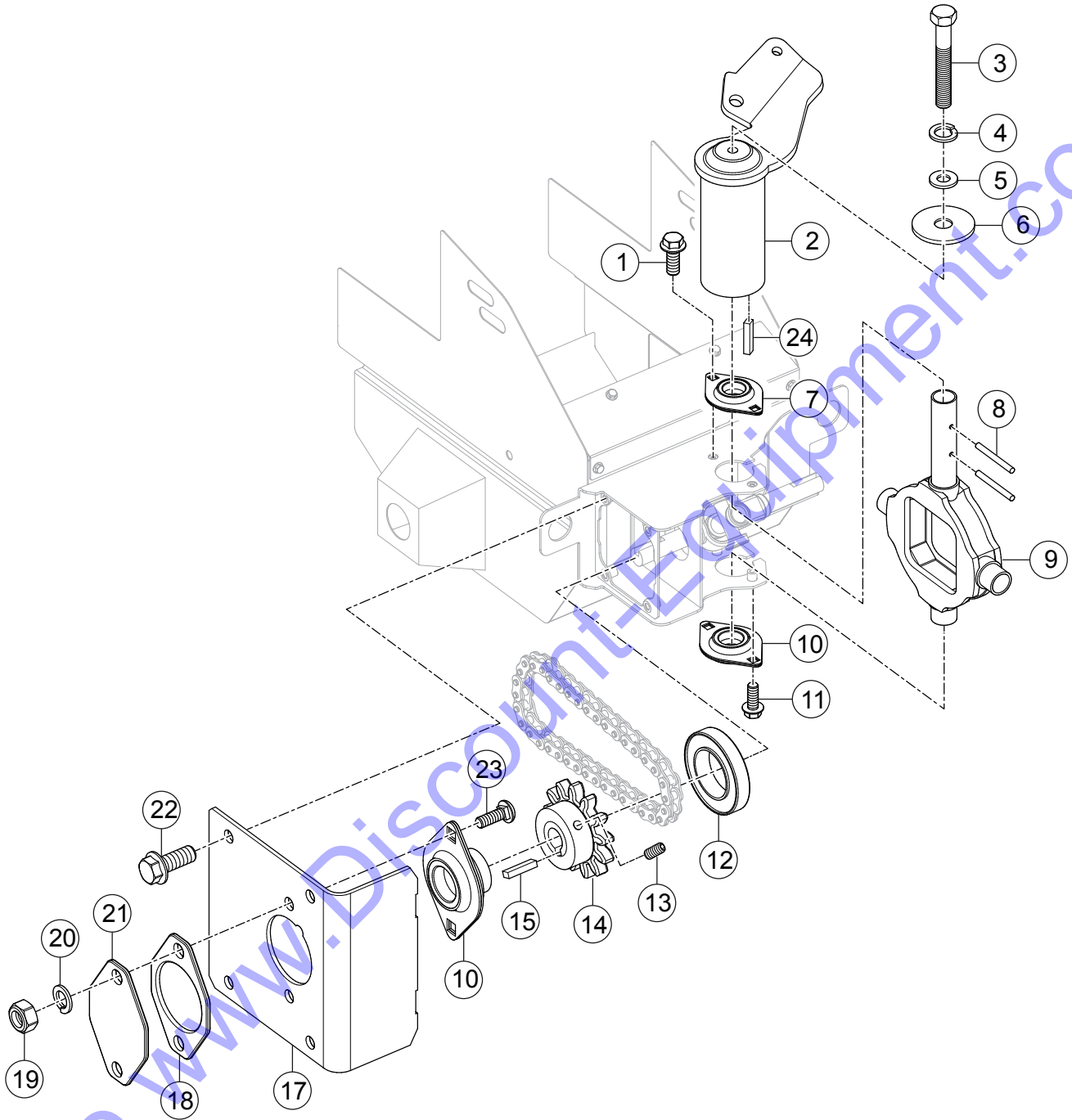
CONTROL PANEL/CONTROLLER ASSY. (ELECTRIC)



CONTROL PANEL/CONTROLLER ASSY. (ELECTRIC)

| NO. | PART NO. | PART NAME | QTY. | REMARKS |
|------------|-----------------|-----------------------------|-------------|----------------|
| 1 | 72-1100 | RUBBER CAP, BLACK | 1 | |
| 2 | 101-99969 | BRAKE, DISENGAGE LEVER | 1 | |
| 3 | 72-1300 | RUBBER BOOT, RED | 2 | |
| 4 | 70-0128 | SOLENOID, 24 VDC | 1 | |
| 5 | 70-5014 | SCREW, M5X15 DOMEHEAD | 1 | |
| 6 | 3-7003 | CLAMP, PLACTIC | 1 | |
| 7 | 8-5003 | NUT, NYLOC M5 | 1 | |
| 8 | 7-6060 | SCREW, SERRATED M6X14 | 1 | |
| 9 | 101-99971 | BRACKET, CABLE CLAMP | 1 | |
| 10 | 7-6060 | SCREW, SERRATED M6X14 | 1 | |
| 11 | 101-99966 | BRACKET, BRAKE PIVOT | 1 | |
| 12 | 7-4012 | SCREW, M4X12 | 4 | |
| 13 | 70-0131 | IN-LINE FUSE, 125A | 1 | |
| 13A | 70-0130 | FUSE HOLDER | 1 | |
| 14 | 7-4006 | SCREW, M4X6 POZIPAN | 1 | |
| 15 | 7-6060 | SCREW, SERRATED M6X14 | 1 | |
| 16 | 2-1010 | SPRING, DEADMAN CABLE | 1 | |
| 17 | 70-0140 | 5K OHM POTENTIOMETER | 1 | |
| 18 | 101-99970 | BRACKET, THROTTLE | 1 | |
| 19 | 2-1014 | SPRING, FWD/REV CABLE | 1 | |
| 20 | 70-0141 | MICROSWITCH, ROLLER | 1 | |
| 21 | 70-0147 | CLEVIS, POTENTIOMETER | 1 | |
| 22 | 70-0129 | DC MOTOR CONTROLLER, CURTIS | 1 | |
| 23 | 4-6005 | WASHER, LOCK M6 | 1 | |
| 24 | 7-6030 | BOLT, M6X30 | 1 | |
| 25 | 70-0135 | FUSE HOLDER, 250V 10A | 1 | |
| 26 | 70-0142 | FUSE, 10A | 1 | |
| 27 | 70-0136 | IGNITION SWITCH | 1 | |
| 27A | 70-0150 | IGNITION KEYS | 1 | |
| 28 | 70-0127 | EMERGENCY STOP SWITCH | 1 | |
| 29 | 70-0133 | HOUR METER/TACHOMETER | 1 | |
| 30 | 101-03900 | COVER, CONTROL PANEL | 1 | |

CENTER STEERING ASSY. (ELECTRIC/GAS)



CENTER STEERING ASSY. (ELECTRIC/GAS)

| <u>NO.</u> | <u>PART NO.</u> | <u>PART NAME</u> | <u>QTY.</u> | <u>REMARKS</u> |
|------------|-----------------|--------------------------------|-------------|----------------|
| 1 | 7-8080 | BOLT | 1 | |
| 2 | 101-04000 | CENTER STEERING PIVOT WA KEYED | 1 | |
| 3 | 7-8061 | SCREW SET, M8X70MM (FLAT) | 1 | |
| 4 | 4-8003 | WASHER, LOCK | 1 | |
| 5 | 4-8006 | WASHER, FLAT | 1 | |
| 6 | 101-00500 | WASHER, FLAT LARGE | 1 | |
| 7 | 53-0110 | FLANGE BEARING | 1 | |
| 8 | 3-0093 | PIN, GIMBAL 8"X50" | 2 | |
| 9 | 101-04100 | GIMBLE 3/4" | 1 | |
| 10 | 53-0120 | FLANGE BEARING | 5 | |
| 11 | 7-8080 | BOLT | 1 | |
| 12 | 53-0170 | BEARING" | 1 | |
| 13 | 1509000 | SET SCREW, M6X12" | 2 | |
| 14 | 21-1500 | SPROCKET, 13T | 1 | |
| 15 | 21-1600 | SQUARE KEY, 6"X6"X25" | 1 | |
| 17 | 101-99960 | COVER, BEARING REAR | 1 | |
| 18 | 101-99943 | SPACER, BEARING COVER | 1 | |
| 19 | 8-8008 | NUT, NYLOC | 1 | |
| 20 | 4-8006 | WASHER, FLAT | 1 | |
| 21 | 101-99942 | PLATE, BEARING COVER | 1 | |
| 22 | 7-8080 | BOLT | 4 | |
| 23 | 9-8067 | SCREW | 1 | |
| 24 | 21-1200 | SQUARE KEY, 3/16" | 3 | |

PARTS FINDER

**Search Website
by Part Number**



**Search Manual
Library For Parts
Manual & Lookup Part
Numbers – Purchase
or Request Quote**

Search Manuals

Enter your information to help us find the right parts manual for your machine.

* Brand:

* Model:

* Serial:

* Part Number:

SEARCH

**Can't Find Part or
Manual? Request Help
by Manufacturer,
Model & Description**

Parts Order Form

Please fill in the following information to help us find the right part for your machine.

| | |
|---------------|----------------------|
| Manufacturer: | <input type="text"/> |
| Model: | <input type="text"/> |
| Description: | <input type="text"/> |
| Part Number: | <input type="text"/> |
| Quantity: | <input type="text"/> |
| Notes: | <input type="text"/> |

Discount-Equipment.com is your online resource for quality parts & equipment.

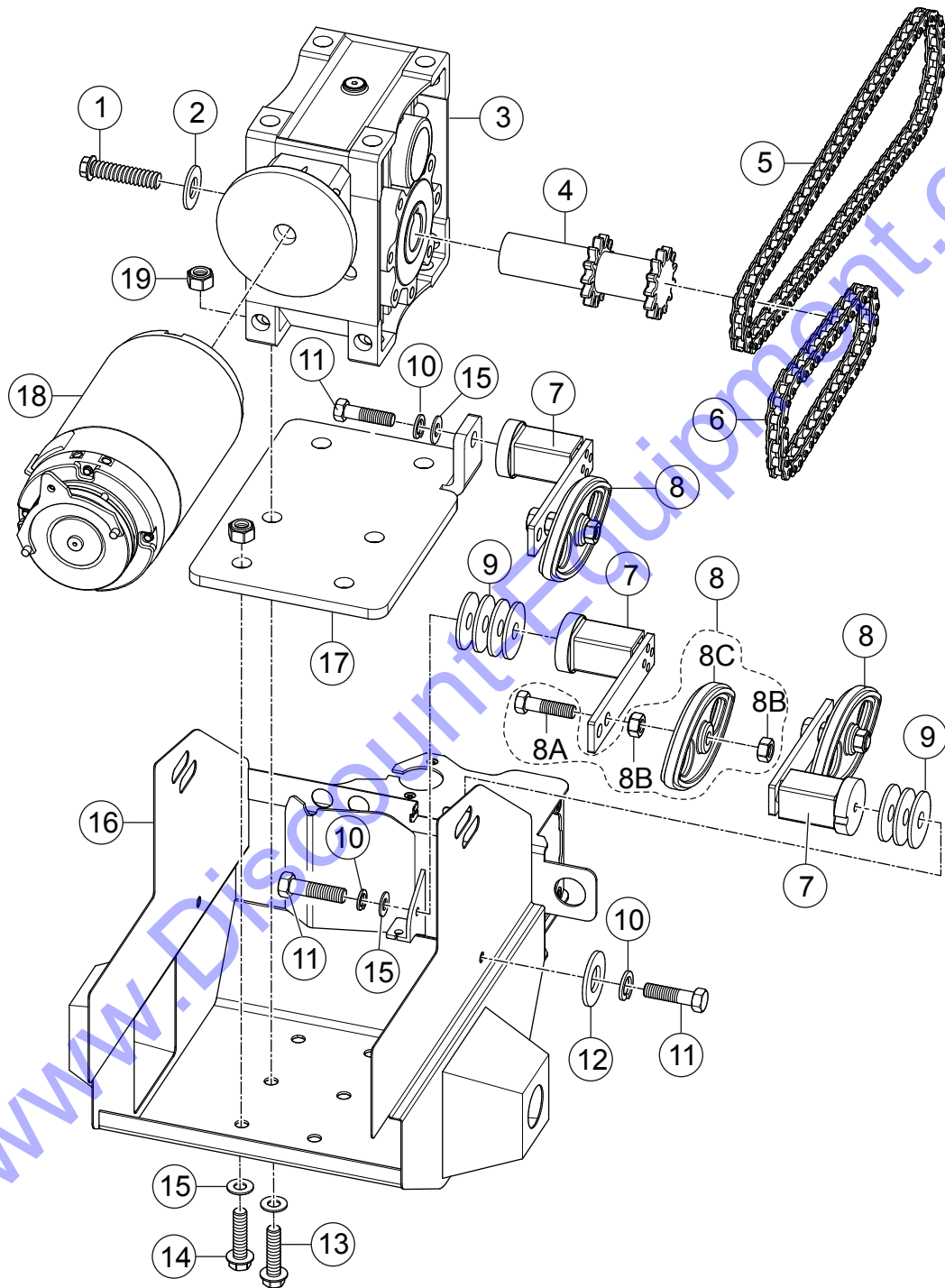
Florida: **561-964-4949** Outside Florida TOLL FREE: **877-690-3101**

Need parts?

Click on this link: <http://www.discount-equipment.com/category/5443-parts/> and choose one of the options to help get the right parts and equipment you are looking for. Please have the machine model and serial number available in order to help us get you the correct parts. If you don't find the part on the website or on one of the online manuals, please fill out the request form and one of our experienced staff members will get back to you with a quote for the right part that your machine needs.

We sell worldwide for the brands: Genie, Terex, JLG, MultiQuip, Mikasa, Essick, Whiteman, Mayco, Toro Stone, Diamond Products, Generac Magnum, Airman, Haulotte, Barreto, Power Blanket, Nifty Lift, Atlas Copco, Chicago Pneumatic, Allmand, Miller Curber, Skyjack, Lull, Skytrak, Tsurumi, Husquvarna Target, Stow, Wacker, Sakai, Mi-T-M, Sullair, Basic, Dynapac, MBW, Weber, Bartell, Bennar Newman, Haulotte, Ditch Runner, Menegotti, Morrison, Contec, Buddy, Crown, Edco, Wyco, Bomag, Laymor, EZ Trench, Bil-Jax, F.S. Curtis, Gehl Pavers, Heli, Honda, ICS/PowerGrit, IHI, Partner, Imer, Clipper, MMD, Koshin, Rice, CH&E, General Equipment, Amida, Coleman, NAC, Gradall, Square Shooter, Kent, Stanley, Tamco, Toku, Hatz, Kohler, Robin, Wisconsin, Northrock, Oztec, Toker TK, Rol-Air, APT, Wylie, Ingersoll Rand / Doosan, Innovatech, Con X, Ammann, Mecalac, Makinex, Smith Surface Prep, Small Line, Wanco, Yanmar

ELECTRIC MOTOR/TRANSMISSION MOUNTING ASSY.

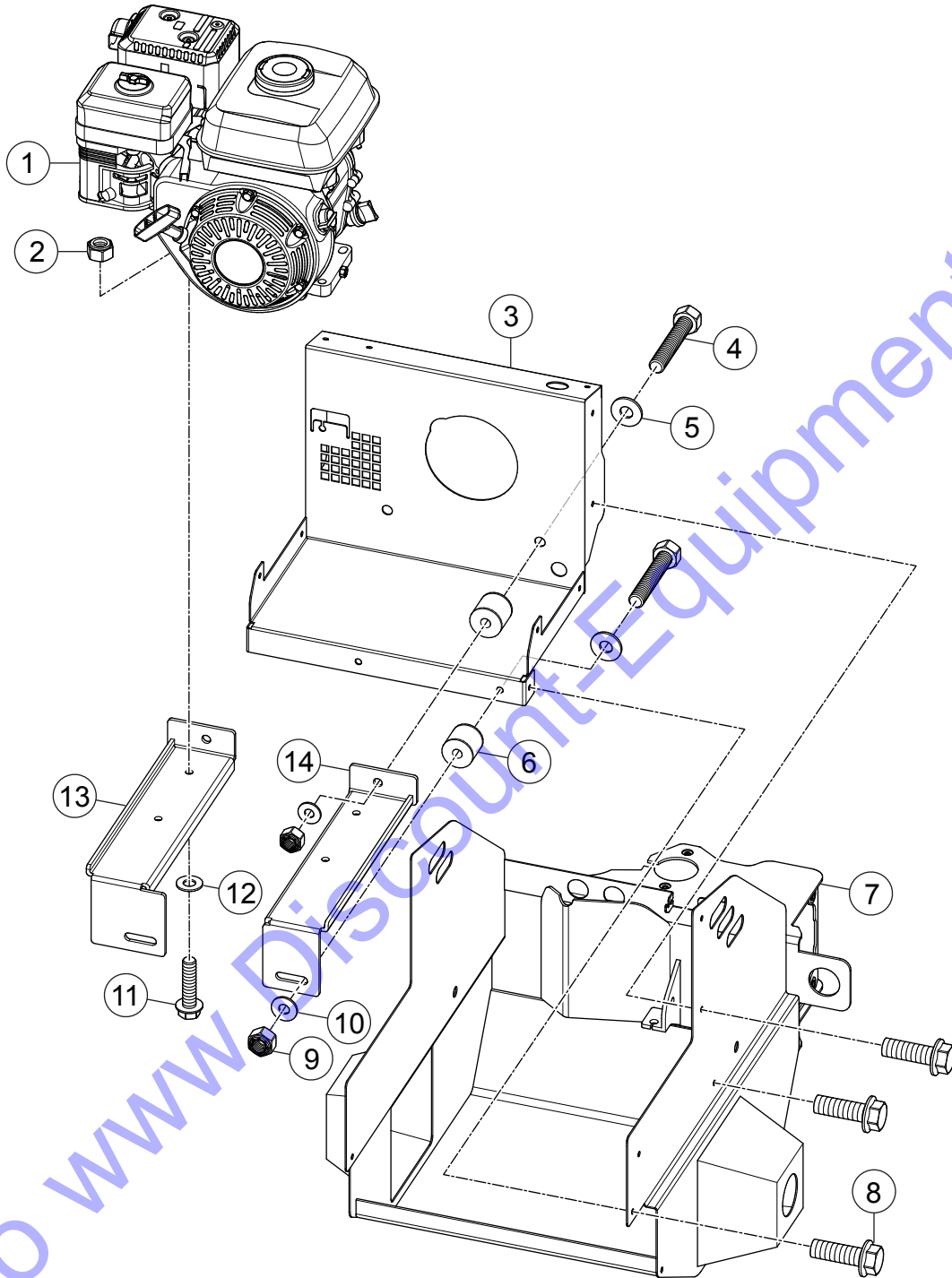


ELECTRIC MOTOR/TRANSMISSION MOUNTING ASSY.

| <u>NO.</u> | <u>PART NO.</u> | <u>PART NAME</u> | <u>QTY.</u> | <u>REMARKS</u> |
|------------|-----------------|-----------------------|-------------|--------------------|
| 1 | 7-8080 | SCREW | 1 | |
| 2 | 10299940 | WASHER | 1 | |
| 3 | 6-2200 | GEARBOX | 1 | |
| 4 | 101-04300 | OUTPUT SHAFT | 1 | |
| 5 | 21-2400 | CHAIN, 2-5/8" | 1 | |
| 6 | 21-2200 | CHAIN, SHORT | 1 | |
| 7 | 2-1001 | TENSIONER ASSEMBLY | 2 | |
| 8 | 104999255 | CHAIN RIDER KIT | 3 | INCLUDES ITEMS W/# |
| 8A# | 9-10007 | SCREW | 3 | |
| 8B# | 8-10003 | NUT M10 | 6 | |
| 8C# | 2-1009 | CHAIN RIDER | 3 | |
| 9 | 4-9031 | WASHER, 50X8.5X1.5 | 7 | |
| 10 | 4-8003 | WASHER, LOCK | 1 | |
| 11 | 7-8012 | SCREW | 1 | |
| 12 | 102-99940 | WASHER, FLAT | 1 | |
| 13 | 7-10009 | SCREW | 1 | |
| 14 | 7-8012 | SCREW | 1 | |
| 15 | 4-8006 | WASHER, FLAT | 2 | |
| 16 | 101-03200 | REAR CHASSIS | 1 | |
| 17 | 101-99972 | BASE BRACKET, GEARBOX | 1 | |
| 18 | 70-01200 | MOTOR 1300W | 1 | |
| 19 | 8-10006 | NUT | 1 | |
| 20 | 4-1005 | WASHER, FLAT M10 | ? | |

Go to www.Discount-Equipment.com

ENGINE MOUNTING ASSY.



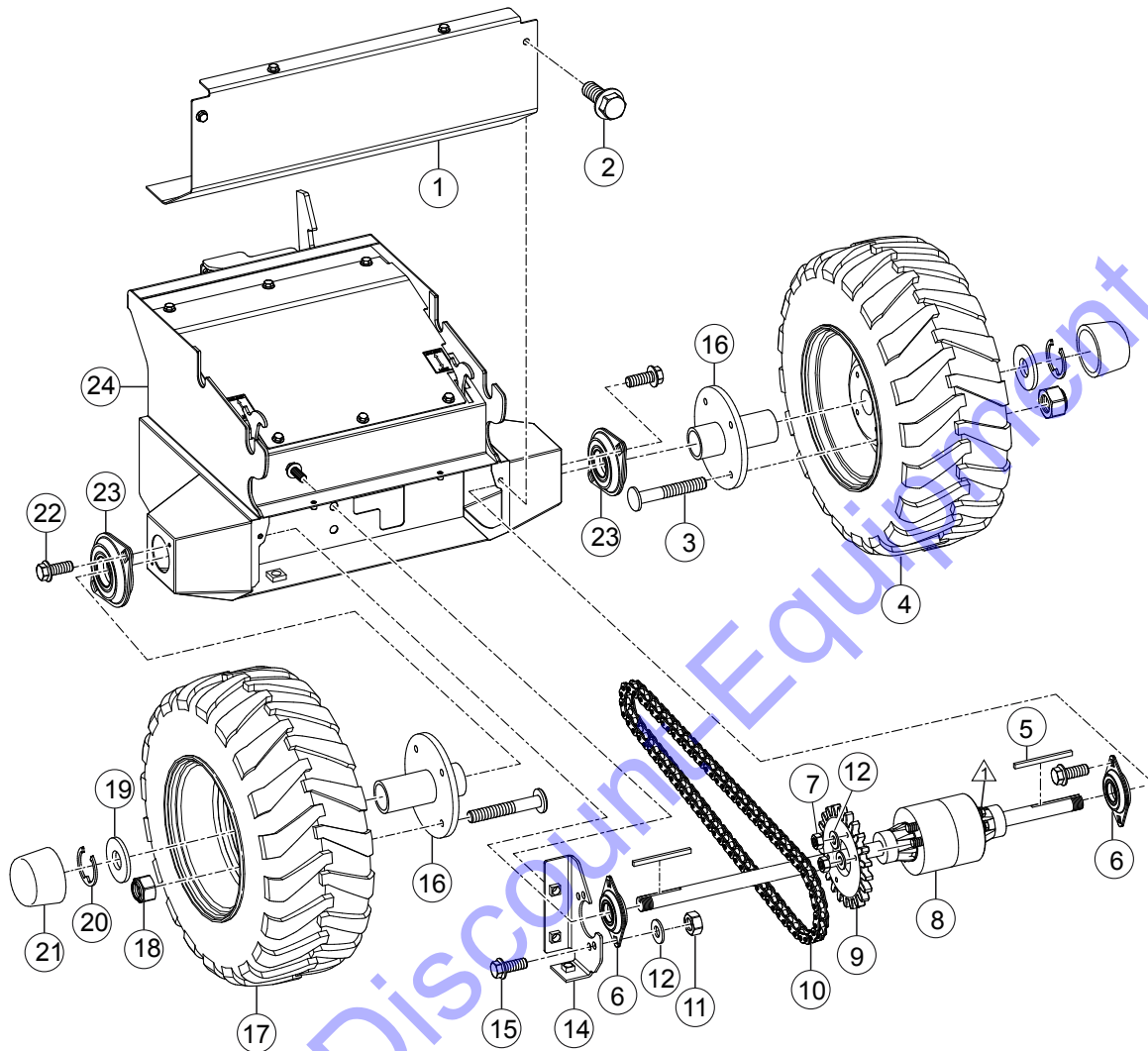
Go to www.DiscountEquipment.com

ENGINE MOUNTING ASSY.

| <u>NO.</u> | <u>PART NO.</u> | <u>PART NAME</u> | <u>QTY.</u> | <u>REMARKS</u> |
|------------|-----------------|---------------------------------|-------------|----------------|
| 1 | 20-2000 | ENGINE, HONDA GX200UT2QX4 | 1 | |
| 2 | 8-8008 | NUT, M8 NYLOC | 1 | |
| 3 | 101-99956 | ENGINE SUPPORT | 1 | |
| 4 | 7-8004 | SCREW, SET M8X12 | 1 | |
| 5 | 4-8006 | WASHER, FLAT | 1 | |
| 6 | 21-0500 | ANTI-VIBRATION MOUNT 30"X15"XM8 | 4 | |
| 7 | 101-03200 | REAR CHASSIS | 1 | |
| 8 | 7-8080 | SCREW, SERRATED M8X20 | 3 | |
| 9 | 8-8008 | NUT, M8 | 1 | |
| 10 | 4-8006 | WASHER, FLAT | 1 | |
| 11 | 7-8007 | SCREW, M8X35 | 1 | |
| 12 | 4-8006 | WASHER, FLAT | 1 | |
| 13 | 101-99927 | DRAIN, BRACKET | 1 | |
| 14 | 101-99926 | FOOT, BRACKET | 1 | |

Go to www.Discount-Equipment.com

FRONT AXLE ASSY. (ELECTRIC/GAS)



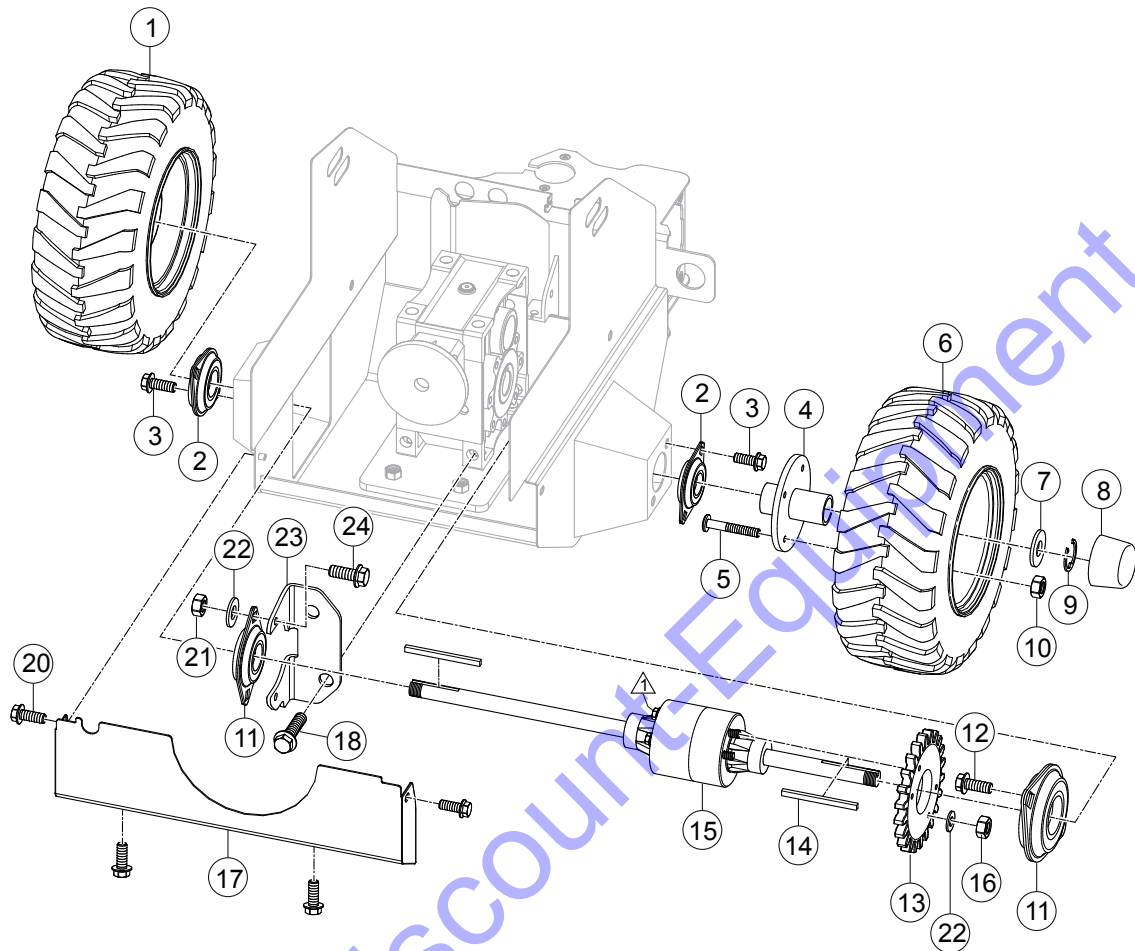
NOTES:

- ▲ BOLT IS INCLUDED WITH DIFFERENTIAL AXLE, ITEM 8.

FRONT AXLE ASSY. (ELECTRIC/GAS)

| <u>NO.</u> | <u>PART NO.</u> | <u>PART NAME</u> | <u>QTY.</u> | <u>REMARKS</u> |
|------------|-----------------|--|-------------|----------------|
| 1 | 102-99948 | FRONT PANEL | 1 | |
| 2 | 7-8080 | SCREW, SERRATED M8X20 | 1 | |
| 3 | 7-10050 | WHEEL STUD 3/8"X24 UNF | 8 | |
| 4 | 60-6509LHF | WHEEL ASSY. 16"X6.50"X8" LEFT-SIDE..... | 1 | PNEUMATIC |
| 5 | 21-1200 | SQUARE KEY, 3/16" | 2 | |
| 6 | 53-0120 | FLANGE BEARING | 2 | |
| 7 | 8-8024 | NUT, 5/16"UNCX4" | 4 | |
| 8 | 6-1200-0 | DIFFERENTIAL AXLE FRONT | 1 | |
| 9 | 104-99925 | GEAR, 22T | 1 | |
| 10 | 21-2100 | CHAIN, 5/8" 67R FRONT | 1 | |
| 11 | 8-8008 | NUT | 1 | |
| 12 | 4-8006 | WASHER, FLAT M8 | 5 | |
| 14 | 102-99921 | BEARING SUPPORT BRACKET, FRONT | 1 | |
| 15 | 7-8080 | SCREW, SERRATED M8X20 | 2 | |
| 16 | 102-03100 | HUB | 2 | |
| 17 | 60-6509RHF | WHEEL ASSY. 16"X6.5"X8" RIGHT-SIDE | 1 | PNEUMATIC |
| 18 | 8-3800 | WHEEL NUT-3/8" UNF | 8 | |
| 19 | 4-9021 | WASHER 3/4"IDX38"X2.0" | 2 | |
| 20 | 3-1061 | SNAP RING, 3/4" | 2 | |
| 21 | 72-0400 | CAP, RUBBER | 2 | |
| 22 | 7-8080 | SCREW, SERRATED M8X20 | 4 | |
| 23 | 53-0110 | FLANGE BEARING | 2 | |
| 24 | 101-03300 | CHASSIS, FRONT | 1 | |

REAR AXLE ASSY. (ELECTRIC)



NOTES:

 BOLT IS INCLUDED WITH DIFFERENTIAL AXLE, ITEM 15.

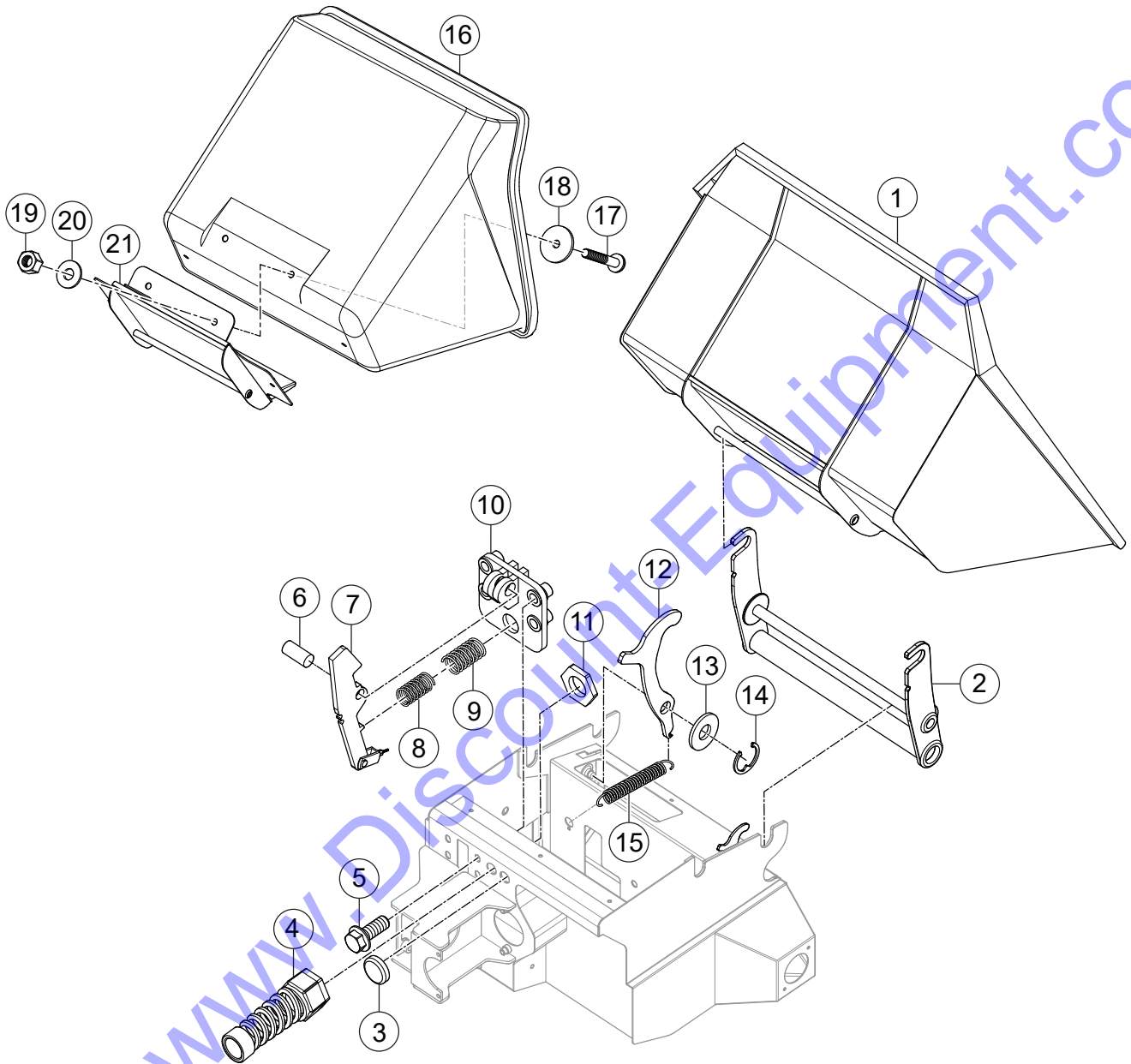
REAR AXLE ASSY. (ELECTRIC)

| <u>NO.</u> | <u>PART NO.</u> | <u>PART NAME</u> | <u>QTY.</u> | <u>REMARKS</u> |
|------------|-----------------|--|-------------|----------------|
| 1 | 60-6509LHF | WHEEL ASSY. 16"X6.50"X8" LEFT-SIDE..... | 1 | PNEUMATIC |
| 2 | 53-0110 | FLANGE BEARING | 2 | |
| 3 | 7-8080 | SCREW, SERRATED M8X20 | 4 | |
| 4 | 102-03100 | HUB | 2 | |
| 5 | 7-10050 | WHEEL STUD 3/8"X24UNF | 8 | |
| 6 | 60-6509RHF | WHEEL ASSY. 16"X6.5"X8" RIGHT-SIDE | 1 | PNEUMATIC |
| 7 | 4-9021 | WASHER 3/4"IDX38"X2.0" | 2 | |
| 8 | 72-0400 | CAP, RUBBER | 2 | |
| 9 | 3-1061 | SNAP RING, 3/4" | 2 | |
| 10 | 694175 | WHEEL NUT-3/8" UNF | 8 | |
| 11 | 53-0120 | FLANGE BEARING | 2 | |
| 12 | 7-8080 | SCREW, SERRATED M8X20 | 4 | |
| 13 | 104-99925 | GEAR, 22T | 1 | |
| 14 | 21-1200 | KEY, 3/16"SQ.X40MM | 2 | |
| 15 | 6-1300 | DIFFERENTIAL AXLE REAR | 1 | |
| 16 | 8-8024 | NUT, 5/16"UNCX4" | 4 | |
| 17 | 101-99963 | REAR PANEL | 1 | |
| 18 | 7-8092 | SCREW, M8x25 | 2 | |
| 20 | 7-6060 | SCREW, M6X14 SERRATED | 4 | |
| 21 | 8-8008 | NUT | 2 | |
| 22 | 4-8006 | WASHER, FLAT M8 | 6 | |
| 23 | 101-99968 | BEARING SUPPORT BRACKET, FRONT | 1 | |
| 24 | 7-8080 | SCREW, SERRATED M8X20 | 2 | |

REAR AXLE ASSY. (GAS)

| NO. | PART NO. | PART NAME | QTY. | REMARKS |
|-----|------------|---|------|--------------------|
| 1 | 60-6509LHF | WHEEL ASSY. 16"X6.50"X8" LEFT-SIDE..... | 1 | PNEUMATIC |
| 2 | 4-9031 | WASHER, 50X8.5X1.5 | 9 | |
| 3 | 2-1001 | TENSIONER ASSEMBLY | 3 | |
| 4 | 70-5010 | FITTING, BULKHEAD DIA. 25MM | 1 | |
| 5 | 72-1000 | PLUG 25MM | 1 | |
| 6 | 10003 | SCREW, M10 X35 | 2 | |
| 7 | 104-99926 | SPROCKET WHEEL, 8T | 3 | |
| 8 | 53-0130 | BEARING, 26"X10"X8" | 3 | |
| 9 | 104999255 | CHAIN RIDER KIT | 1 | INCLUDES ITEMS W/# |
| 9A# | 9-10007 | SCREW | 1 | |
| 9B# | 8-10003 | NUT M10 | 2 | |
| 9C# | 2-1009 | CHAIN RIDER | 1 | |
| 10 | 102-99940 | BOSS TENSIONER SUPPORT | 2 | |
| 11 | 7-8012 | BOLT, M8X25 | 2 | |
| 12 | 60-6509RHF | WHEEL ASSY. 16"X6.5"X8"RIGHT-SIDE | 1 | PNEUMATIC |
| 13 | 4-9021 | WASHER 3/4"IDX38"X2.0" | 2 | |
| 14 | 72-0400 | CAP, RUBBER | 2 | |
| 15 | 3-1061 | SNAP RING, 3/4" SHAFT | 2 | |
| 16 | 8-3800 | WHEEL NUT-3/8" UNF | 8 | |
| 17 | 7-8080 | SCREW, SERRATED M8X20 | 2 | |
| 18 | 53-0110 | FLANGE BEARING | 2 | |
| 19 | 104-99925 | GEAR, 22T | 1 | |
| 20 | 21-1200 | KEY 3/16"SQ.X40MM | 2 | |
| 21 | 6-1300 | DIFFERENTIAL AXLE REAR | 1 | |
| 22 | 8-8024 | NUT, 5/16"UNCX4" | 4 | |
| 23 | 101-99917 | REAR PANEL | 1 | |
| 24 | 7-8080 | SCREW, SERRATED M8X20 | 4 | |
| 25 | 101-99954 | PLATE, BEARING REAR | 1 | |
| 26 | 7-8080 | SCREW, SERRATED M8X20 | 2 | |
| 27 | 7-8080 | SCREW, SERRATED M8X20 | 2 | |
| 28 | 53-0120 | FLANGE, BEARING | 2 | |
| 29 | 7-10050 | WHEEL STUD, 3/8"X24UNF | 8 | |
| 17 | 7-8080 | SCREW, SERRATED M8X20 | 1 | |
| 31 | 102-03100 | HUB | 2 | |
| 32 | 4-8003 | WASHER, LOCK M8 | 2 | |
| 33 | 7-8012 | SCREW, M8X25 | 1 | |
| 34 | 8-10006 | NUT, NYLOC M10 | 3 | |
| 35 | 8-100 | NUT, PLAIN M10 | 3 | |
| 36 | 8-80008 | NUT, NYLOC M8 | 4 | |
| 37 | 4-8006 | WASHER, FLAT M8 | 6 | |

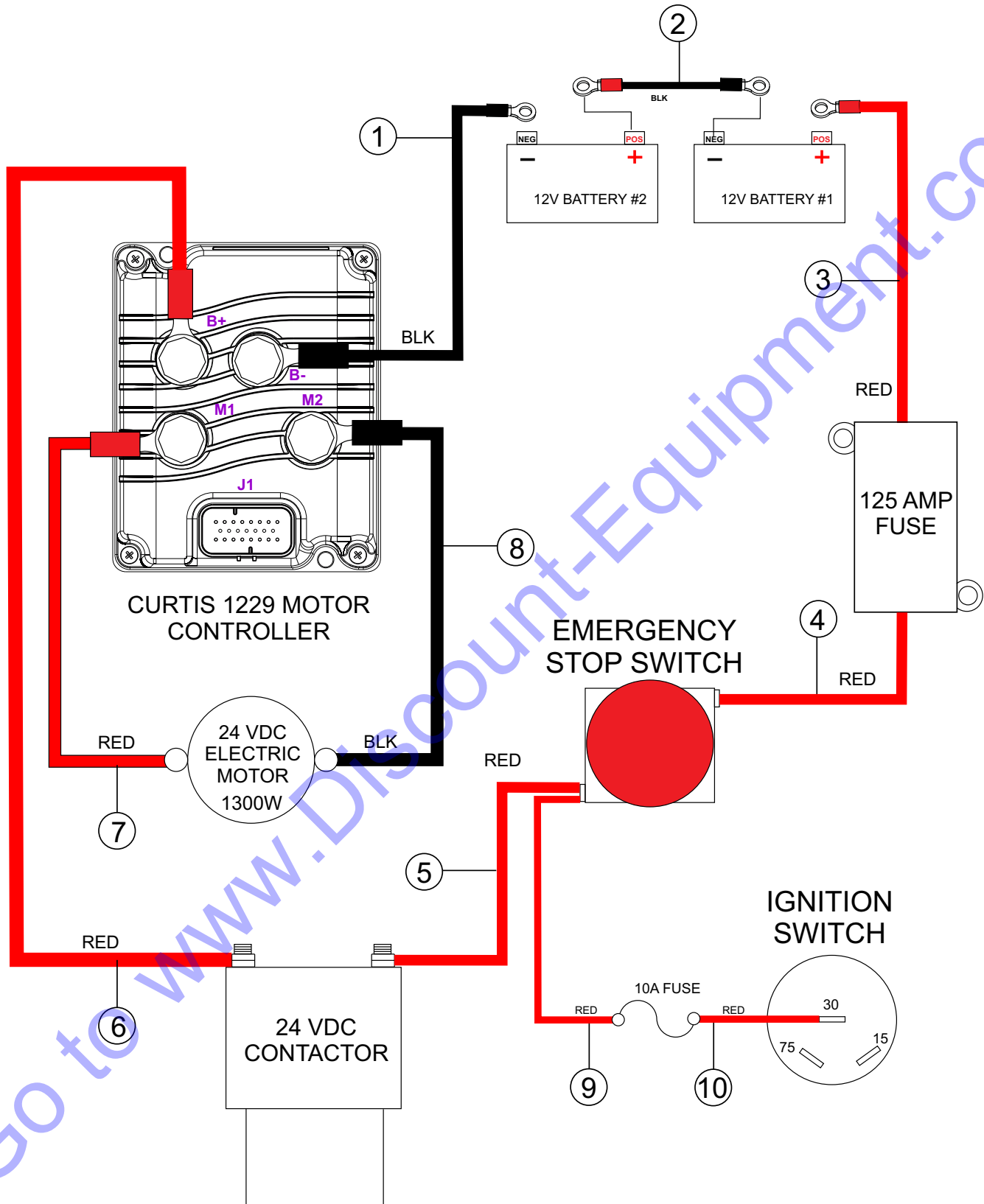
TUB MOUNT ASSY. (ELECTRIC/GAS)



TUB MOUNT ASSY. (ELECTRIC/GAS)

| <u>NO.</u> | <u>PART NO.</u> | <u>PART NAME</u> | <u>QTY.</u> | <u>REMARKS</u> |
|------------|-----------------|-----------------------|-------------|----------------|
| 1 | 100-01100 | TUB, STEEL | 1 | |
| 2 | 101-02100 | FRAME, TUB CARRIER | 1 | |
| 3 | 72-1000 | PLUG 25MM | 1 | |
| 4 | 70-5030 | CABLE, GLAND | 1 | |
| 5 | 7-8080 | SCREW, SERRATED M8X20 | 4 | |
| 6 | 3-0091 | PIN, LATCH PIVOT | 1 | |
| 7 | 101-02901 | PLATE, TUB LATCH | 1 | |
| 8 | 2-1013 | SPRING, OUTER | 1 | |
| 9 | 2-1012 | SPRING, INNER | 1 | |
| 10 | 101-01200 | TUB, LATCH BRACKET | 1 | |
| 11 | 70-5011 | NUT, BULKHEAD 25MM | 1 | |
| 12 | 101-99929 | LATCH, LOCKING | 2 | |
| 13 | 4-1204 | WASHER M12 | 2 | |
| 14 | 3-1050 | CLIP-E | 2 | |
| 15 | 2-1007 | SPRING, LATCH | 2 | |
| 16 | 72-3000N-C | TUB, POLYETHYLENE | 1 | |
| 17 | 7-8089-0 | M8X30 DOME HEAD SCREW | 6 | |
| 18 | 4-8021-0 | M8X40 REPAIR WASHER | 6 | |
| 19 | 8-8008-0 | NUT M8 NYLOC | 6 | |
| 20 | 4-8007-0 | WASHER M8 | 6 | |
| 21 | 100-01800-D | PLASTIC TUB BASE | 1 | |

POWER/GND CABLE ASSY. (ELECTRIC)

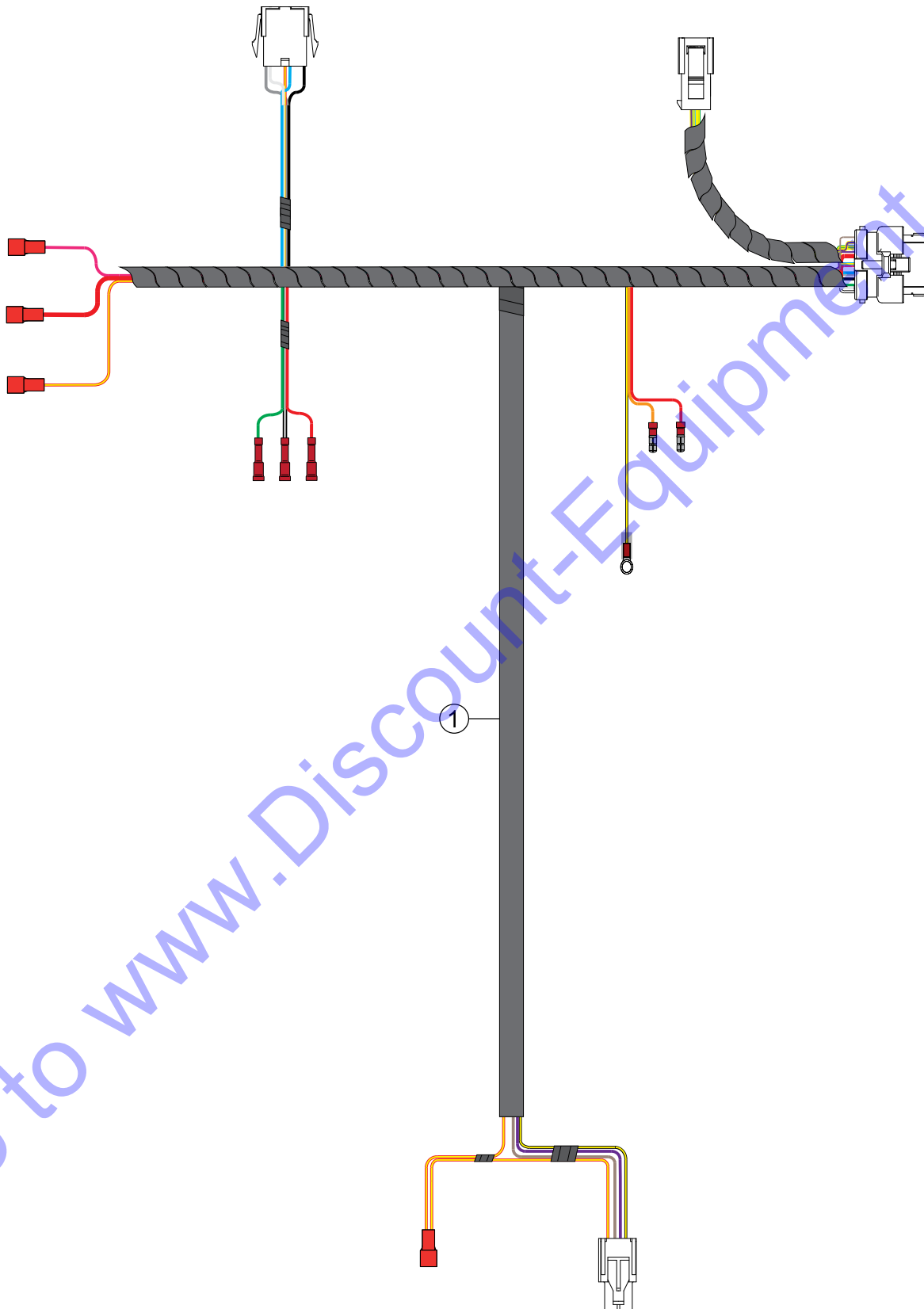


POWER/GND CABLE ASSY. (ELECTRIC)

| <u>NO.</u> | <u>PART NO.</u> | <u>PART NAME</u> | <u>QTY.</u> | <u>REMARKS</u> |
|------------|-----------------|---------------------------------------|-------------|----------------|
| 1 | 70-0124 | GND. CABLE 1.96 FT. (600 MM), BLACK | 1 | |
| 2 | 70-0121 | JUMPER CABLE 1.31 FT. (400 MM), BLACK | 1 | |
| 3 | 70-0126 | PWR. CABLE 2.78 FT. (850 MM), RED | 1 | |
| 4 | 70-0122 | PWR. CABLE 2.13 FT. (650 MM), RED | 1 | |
| 5 | 70-0125 | PWR. CABLE 4.92 IN. (125 MM), RED | 1 | |
| 6 | 70-0125 | PWR. CABLE 4.92 IN. (125 MM), RED | 1 | |
| 7 | 70-0123 | PWR. CABLE 1.31 FT. (400 MM), RED | 1 | |
| 8 | 70-0121 | GND. CABLE 1.31 FT. (400 MM), BLACK | 1 | |
| 9 | 70-0148 | EMERGENCY STOP TO 10A FUSE | 1 | |
| 10 | 70-0149 | 10A FUSE TO IGNITION PIN 30 | 1 | |

Go to www.Discount-Equipment.com

HARNESS ASSY. (ELECTRIC)

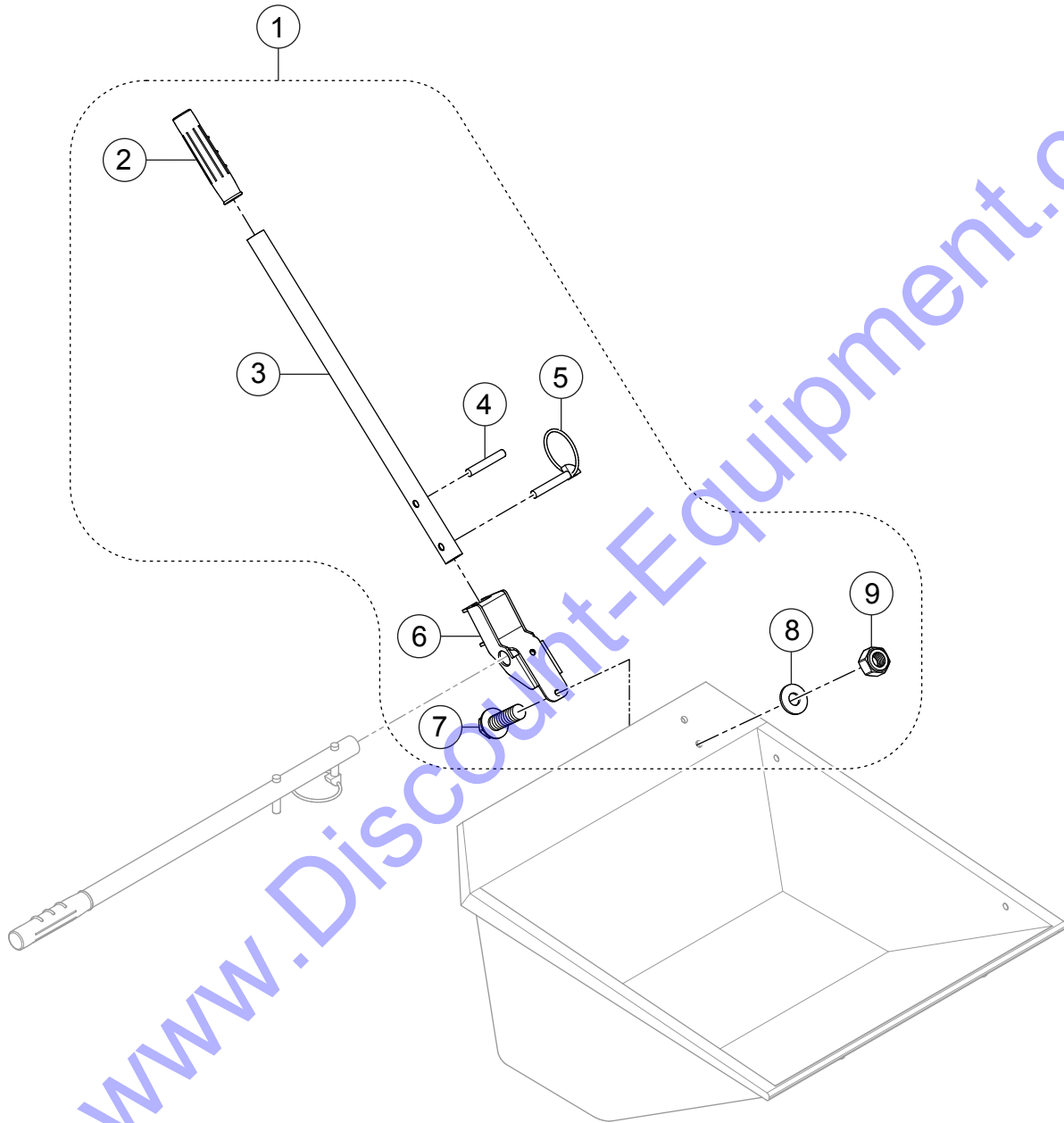


HARNES ASSY. (ELECTRIC)

| <u>NO.</u> | <u>PART NO.</u> | <u>PART NAME</u> | <u>QTY.</u> | <u>REMARKS</u> |
|------------|-----------------|------------------|-------------|----------------|
| 1 | 70-0143 | CABLE HARNES | 1 | |

Go to www.Discount-Equipment.com

TUB TIPPING HANDLE ASSY. (OPTION)



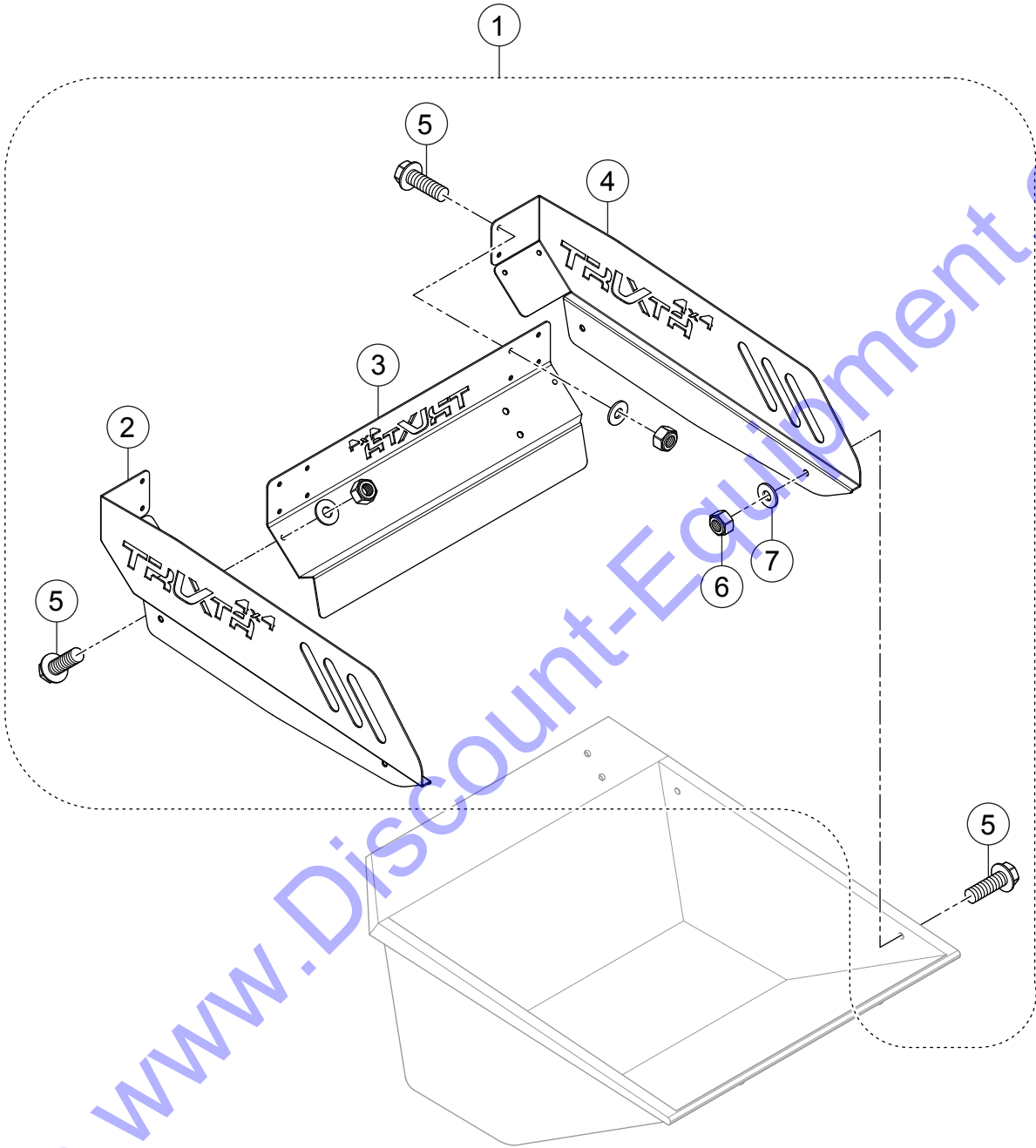
Go to www.Discount-Equipment.com

TUB TIPPING HANDLE ASSY. (OPTION)

| <u>NO.</u> | <u>PART NO.</u> | <u>PART NAME</u> | <u>QTY.</u> | <u>REMARKS</u> |
|------------|-----------------|------------------------|-------------|----------------|
| 1 | OPTT16-DIO | GRIP, HANDLE | 1 | |
| 2 | 74-1022-0 | GRIP, HANDLE | 1 | |
| 3 | 73-1703-C | HANDLE | 1 | |
| 4 | 3-0096-0 | ROLL PIN | 1 | |
| 5 | 3-1018-0 | LYNCH PIN | 1 | |
| 6 | 73-1700-B | HANDLE SUPPORT BRACKET | 1 | |
| 7 | 7-6060-0 | SCREW, M6X14 SER HD | 2 | |
| 8 | 4-6001-1 | WASHER M6 | 2 | |
| 9 | 8-6007-0 | NUT M6 | 2 | |

Go to www.Discount-Equipment.com

TUB EXTENSION ASSY. (OPTION)



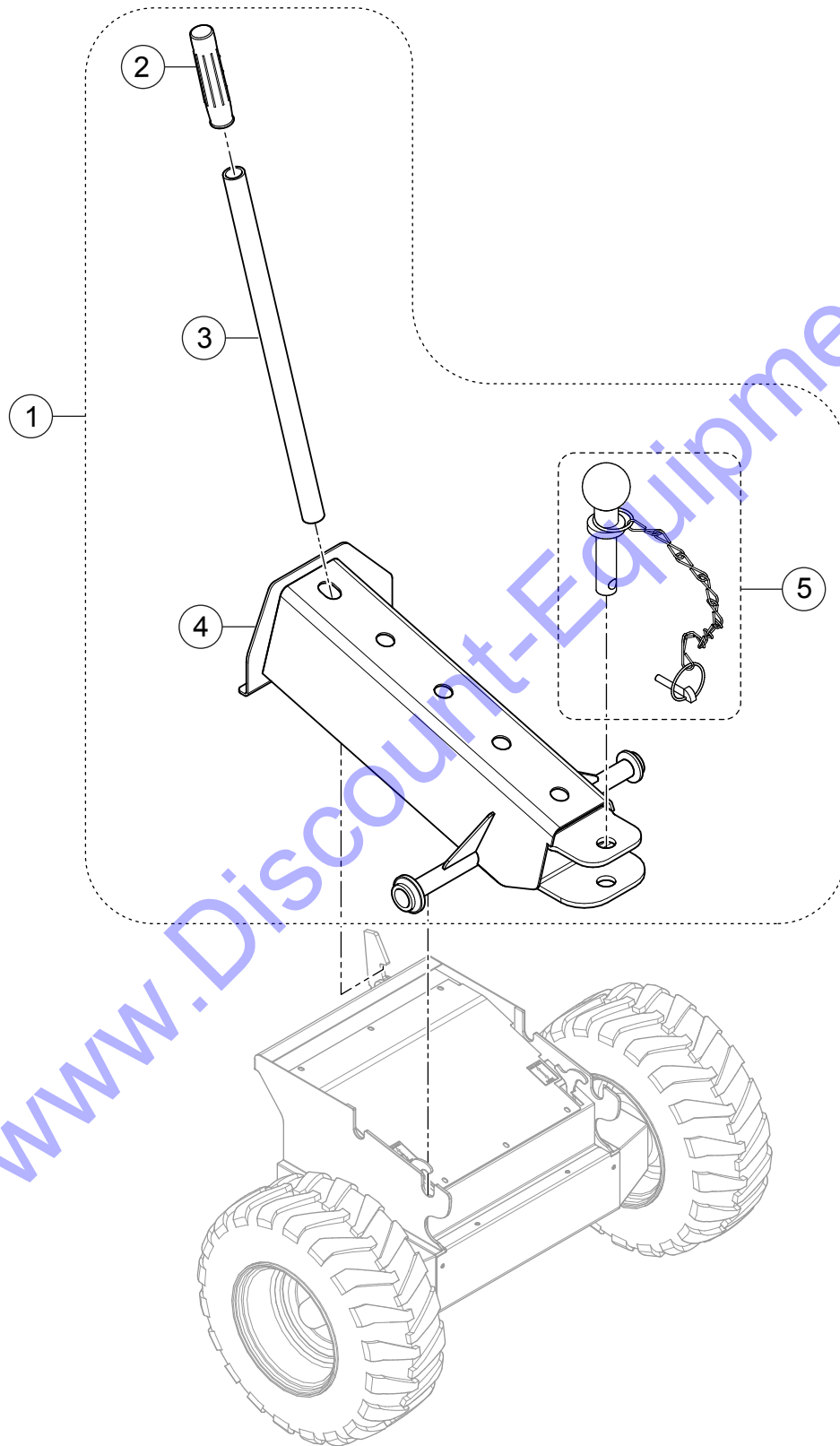
Go to www.Discount-Equipment.com

TUB EXTENSION ASSY. (OPTION)

| <u>NO.</u> | <u>PART NO.</u> | <u>PART NAME</u> | <u>QTY.</u> | <u>REMARKS</u> |
|------------|-----------------|-----------------------------|-------------|----------------|
| 1 | OPTT15-DIO | TUB EXTENSION ASSY. | 1 | |
| 2 | 73-1602-B | EXTENSION PANEL, RIGHT-SIDE | 1 | |
| 3 | 73-1603-B | EXTENSION PANEL, CENTER | 1 | |
| 4 | 73-1601-B | EXTENSION PANEL, LEFT-SIDE | 1 | |
| 5 | 7-6060 | BOLT | 10 | |
| 6 | 8-6007 | NUT | 10 | |
| 7 | 4-6001 | WASHER, FLAT | 10 | |

Go to www.Discount-Equipment.com

TOW HITCH ASSY. (OPTION)

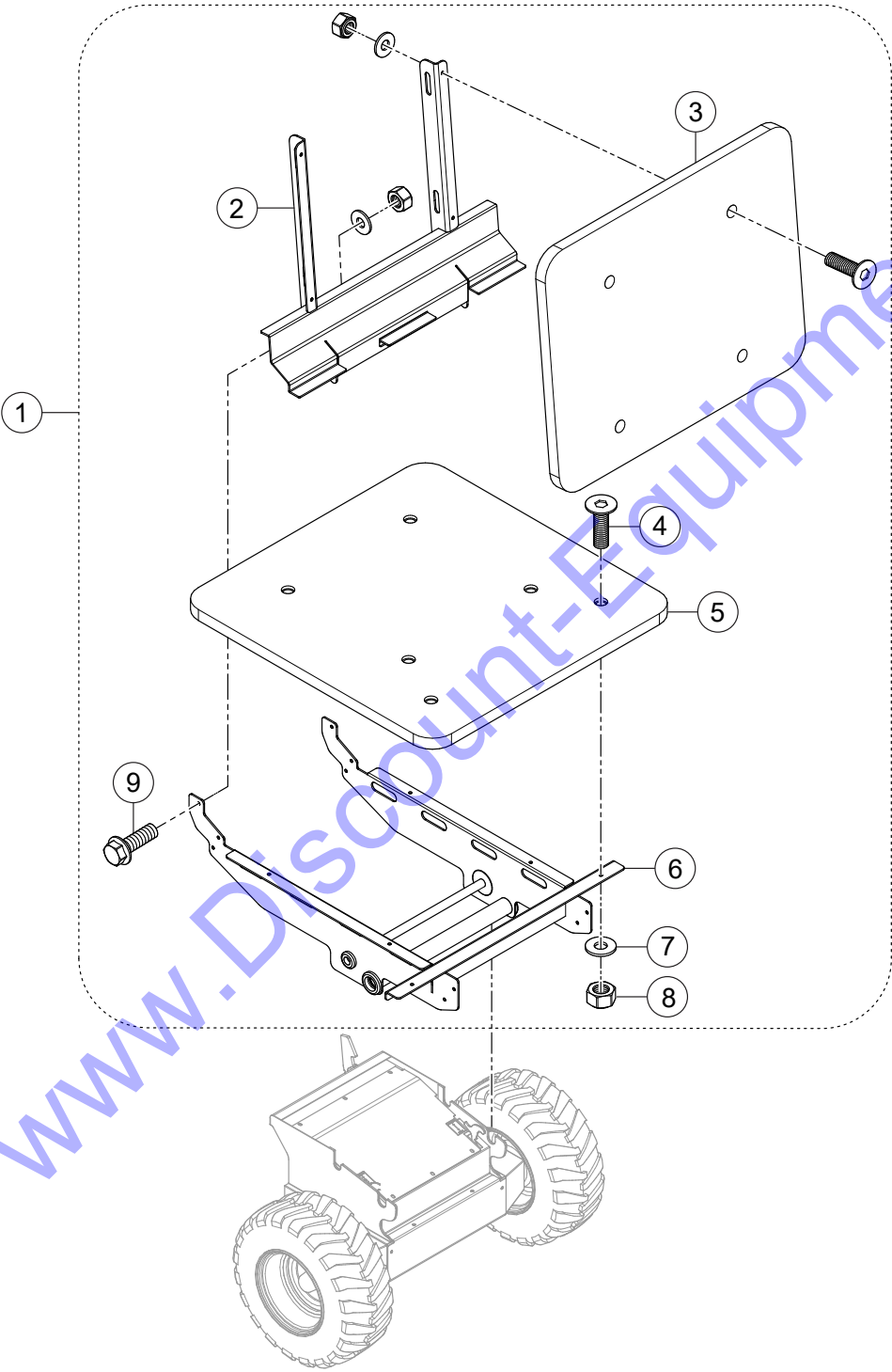


TOW HITCH ASSY. (OPTION)

| <u>NO.</u> | <u>PART NO.</u> | <u>PART NAME</u> | <u>QTY.</u> | <u>REMARKS</u> |
|------------|-----------------|---------------------------------|-------------|----------------|
| 1 | OPTT11-DIO | HITCH ASSY. | 1 | |
| 2 | 74-1022-0 | GRIP, HANDLE | 1 | |
| 3 | 73-1500-B | HANDLE, HITCH | 1 | |
| 4 | 73-1300-C | HITCH | 1 | |
| 5 | 73-1400-A | 2-INCH TOW BALL W/CHAIN AND PIN | 1 | |

Go to www.Discount-Equipment.com

FLATBED ASSY. (OPTION)



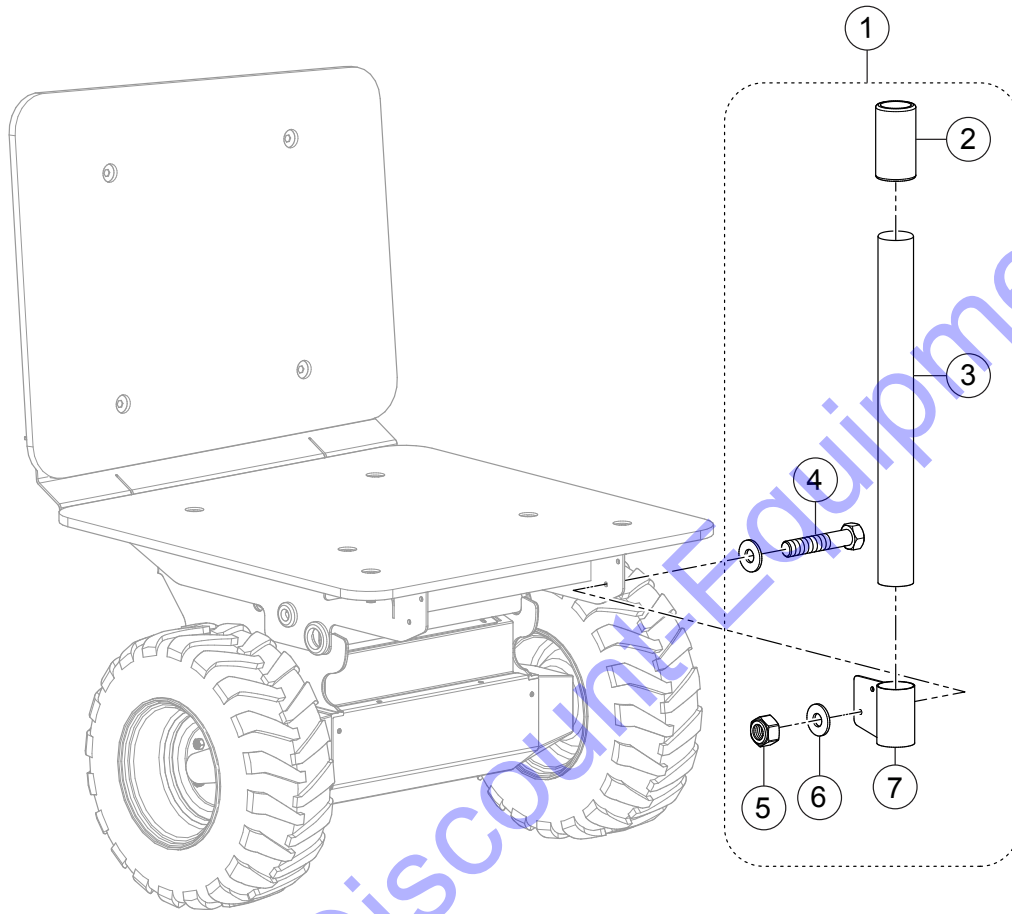
Go to www.Discount-Equipment.com

FLATBED ASSY. (OPTION)

| <u>NO.</u> | <u>PART NO.</u> | <u>PART NAME</u> | <u>QTY.</u> | <u>REMARKS</u> |
|------------|-----------------|---------------------------|-------------|--------------------|
| 1 | OPTT14-DIO | FLATBED ASSEMBLY | 1..... | INCLUDES ITEMS W/# |
| 2# | 73-0900G | FLATBED, FRAME TOP | 1 | |
| 3 | 73-0120-A | COMPOSITE BOARD, TOP | 1 | |
| 4# | 7-10035 | SCREW, COUNTERSUNK M10X35 | 10 | |
| 5# | 73-0119-A | COMPOSITE BOARD, BOTTOM | 1 | |
| 6# | 73-0100-H | FLATBED, FRAME BOTTOM | 1 | |
| 7# | 4-1005-1 | WASHER, FLAT M10 | 10 | |
| 8# | 8-10006-0 | NUT, M10 NYLOC | 20 | |
| 9# | 7-10005 | SCREW, M10X25 | 6 | |

Go to www.Discount-Equipment.com

FLATBED LOAD STOP ASSY. (OPTION)



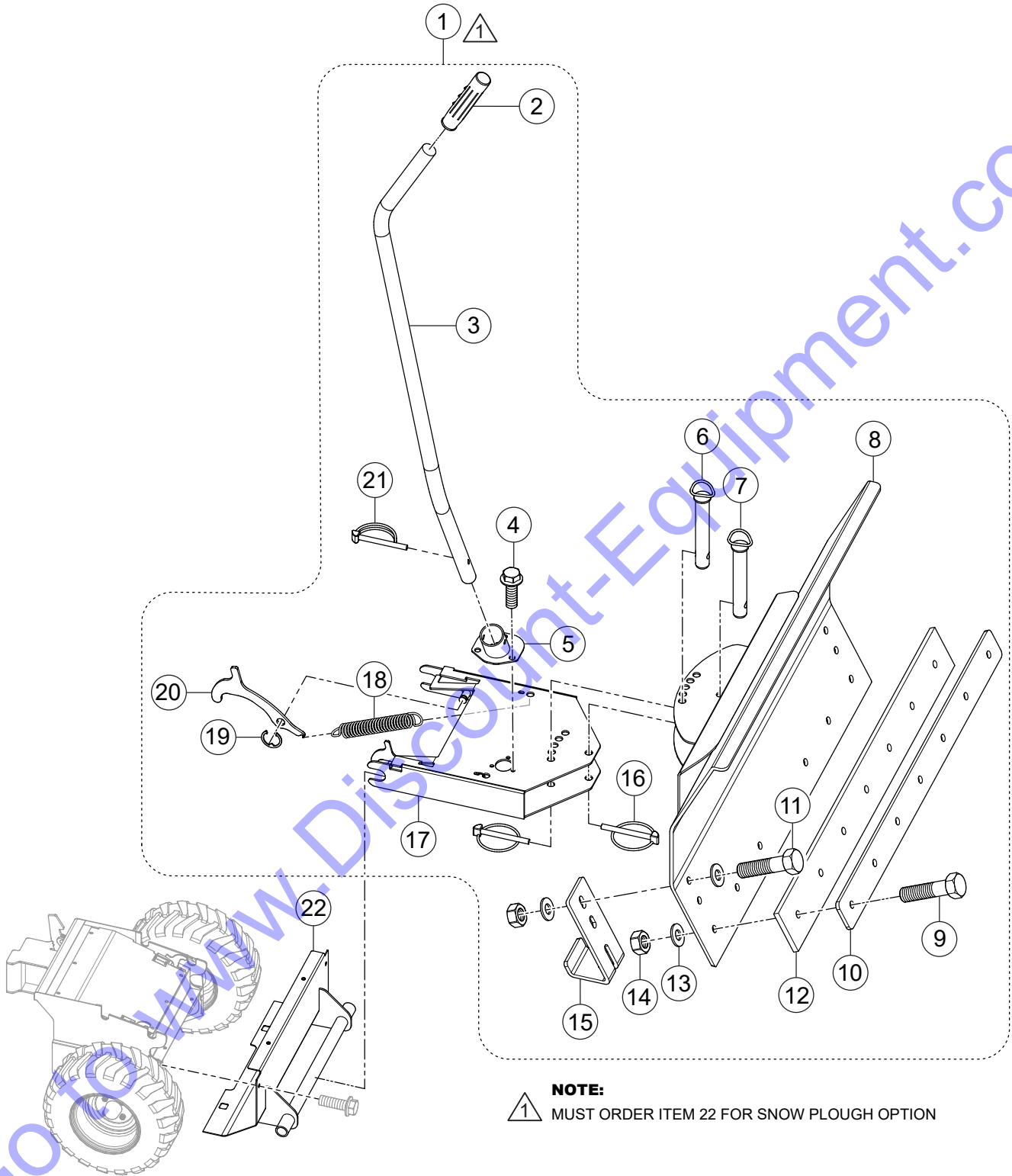
Go to www.DiscoverEquipment.com

FLATBED LOAD STOP ASSY. (OPTION)

| <u>NO.</u> | <u>PART NO.</u> | <u>PART NAME</u> | <u>QTY.</u> | <u>REMARKS</u> |
|------------|-----------------|------------------------|-------------|--------------------|
| 1 | OPTT13-DIO | FLATBED TUBE ASSY..... | 1..... | INCLUDES ITEMS W/# |
| 2# | 72-0400 | CAP, RUBBER | 2 | |
| 3# | 73-1200 | TUBE | 2 | |
| 4# | 7-10005-0 | SCREW, M10X25 | 4 | |
| 5# | 8-10006-0 | NUT, M10 NYLOC | 4 | |
| 6# | 4-1005-1 | WASHER, FLAT M10 | 8 | |
| 7# | 73-1100 | HOLDER, TUBE | 2 | |

Go to www.Discount-Equipment.com

SNOWPLOW ASSY. (OPTION)



NOTE:
▲ MUST ORDER ITEM 22 FOR SNOW PLOUGH OPTION

SNOWPLOW ASSY. (OPTION)

| <u>NO.</u> | <u>PART NO.</u> | <u>PART NAME</u> | <u>QTY.</u> | <u>REMARKS</u> |
|------------|-----------------|--------------------------|-------------|---|
| 1 | OPTT10-DIO | SNOWPLOW ASSY. | 1 | |
| 2 | 74-1022-0 | GRIP, RAISE/LOWER HANDLE | 1 | |
| 3 | 73-0330-C | RAISE/LOWER HANDLE | 1 | |
| 4 | 7-8080-0 | BOLT, M8X20 | 3 | |
| 5 | 73-0320-B | PLATE, TILT TUBE | 1 | |
| 6 | 73-0375-1 | PIN, PIVOT ANGLE | 1 | |
| 7 | 73-0380-1 | PIN, PIVOT PLOW | 1 | |
| 8 | 73-0300-F | METAL PLATE, PLOW | 1 | |
| 9 | 7-8009-0 | BOLT, M8X30 | 7 | |
| 10 | 73-0350-B | SUPPORT PLATE | 1 | |
| 11 | 7-8012-0 | BOLT, M8X25 | 4 | |
| 12 | 72-0800-B | BLADE, RUBBER | 1 | |
| 13 | 4-8006 | WASHER M8 | 15 | |
| 14 | 8-8008-0 | NUT, M8 | 11 | |
| 15 | 73-0370-C | SHOE, SKID | 2 | |
| 16 | 3-1018-0 | LYNCH PIN | 2 | |
| 17 | 73-0310-F | PIVOT | 1 | |
| 18 | 2-1007-2 | SPRING, LATCH | 2 | |
| 19 | 3-1050-0 | SNAP RING | 2 | |
| 20 | 101-99929-3 | LATCH, LOCKING | 2 | |
| 21 | 3-1020-0 | LYNCH PIN D LOOP | 1 | |
| 22 | 73-1000 | BRACKET, SNOWPLOW..... | 1..... | MUST BE ORDERED WHEN SNOWPLOW OPTION IS USED |

PARTS FINDER

**Search Website
by Part Number**



**Search Manual
Library For Parts
Manual & Lookup Part
Numbers – Purchase
or Request Quote**

Search Manuals

Enter your information to help us find the right parts manual for your machine.

* Brand:

* Model:

* Serial:

* Part Number:

SEARCH

**Can't Find Part or
Manual? Request Help
by Manufacturer,
Model & Description**

Parts Order Form

Please fill in the following information to help us find the right part for your machine.

| | |
|---------------|----------------------|
| Manufacturer: | <input type="text"/> |
| Model: | <input type="text"/> |
| Description: | <input type="text"/> |
| Part Number: | <input type="text"/> |
| Quantity: | <input type="text"/> |
| Notes: | <input type="text"/> |

Submit

Discount-Equipment.com is your online resource for quality parts & equipment.

Florida: **561-964-4949** Outside Florida TOLL FREE: **877-690-3101**

Need parts?

Click on this link: <http://www.discount-equipment.com/category/5443-parts/> and choose one of the options to help get the right parts and equipment you are looking for. Please have the machine model and serial number available in order to help us get you the correct parts. If you don't find the part on the website or on one of the online manuals, please fill out the request form and one of our experienced staff members will get back to you with a quote for the right part that your machine needs.

We sell worldwide for the brands: Genie, Terex, JLG, MultiQuip, Mikasa, Essick, Whiteman, Mayco, Toro Stone, Diamond Products, Generac Magnum, Airman, Haulotte, Barreto, Power Blanket, Nifty Lift, Atlas Copco, Chicago Pneumatic, Allmand, Miller Curber, Skyjack, Lull, Skytrak, Tsurumi, Husquvarna Target, Stow, Wacker, Sakai, Mi-T-M, Sullair, Basic, Dynapac, MBW, Weber, Bartell, Bennar Newman, Haulotte, Ditch Runner, Menegotti, Morrison, Contec, Buddy, Crown, Edco, Wyco, Bomag, Laymor, EZ Trench, Bil-Jax, F.S. Curtis, Gehl Pavers, Heli, Honda, ICS/PowerGrit, IHI, Partner, Imer, Clipper, MMD, Koshin, Rice, CH&E, General Equipment, Amida, Coleman, NAC, Gradall, Square Shooter, Kent, Stanley, Tamco, Toku, Hatz, Kohler, Robin, Wisconsin, Northrock, Oztec, Toker TK, Rol-Air, APT, Wylie, Ingersoll Rand / Doosan, Innovatech, Con X, Ammann, Mecalac, Makinex, Smith Surface Prep, Small Line, Wanco, Yanmar