

MASONRY 750 PLUS

(1188863 - 1188864)

SAWING MACHINE

Operating, maintenance, spare parts manual



3236275 R02 2019/03

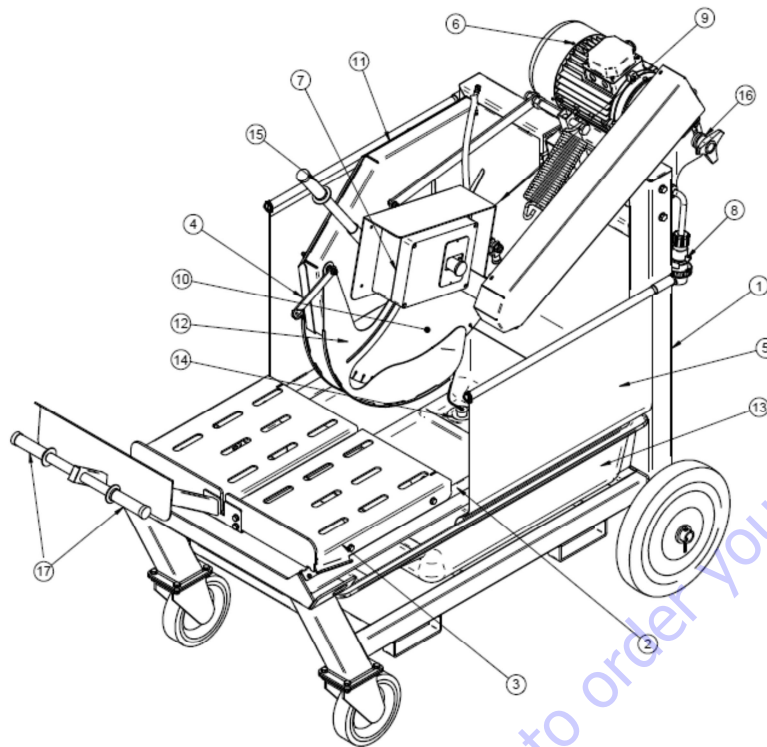


Fig. 1

POS.	I	F	GB	D	E
1	Telaio	Chassis	Frame	Rahmen	Bastidor
2	Guida scorrimento	Glissiere	Guide bar	Führung	Guía
3	Carrello portapezzo	Chariot	Carriage	Wagen	Carro
4	Leva bloccaggio carrello	Chariot calage	Trolley clamping	Karre einspannung	Carro bloqueo
5	Grembialina paraschizzi	Protection éclaboussures	Spray guard	Gummispritzschutz	Protección contra salpicaduras
6	Motore elettrico	Moteur	Motor	Motor	Motor
7	Quadro elettrico	Boiter électrique	Electric board	Schalttafel	Caja electra
8	Spina	Fiche	Plug	Stecker	Enchufe
9	Gruppo testa di taglio	Groupe tête de coupe	Cutting head group	Schneidkopf-gruppe	Grupo cabeza de corte
10	Disco	Disque	Blade	Trennscheibe	Disco
11	Carter disco	Carter disc	Disc cover	Scheibengehäuse	Cárter
12	Protezione lama (OPTIONAL)	Protection disque (OPTIONAL)	Blade cover (OPTIONAL)	Scheibenschutz (OPTIONAL)	Protección disco (OPTIONAL)
13	Vasca acqua	Cuve	Drum	Mischwanne	Recipiente
14	Pompa acqua	Pompe eau	Water pump	Wasserpumpe	Bomba del agua
15	Leva regolazione taglio	Levier réglage coupe	Adjusting cut lever	Hebel fuer Schneidensregulierung	Palanca reglaje corte
16	Blocco testa	bloc de tête	Head Block	Kopfblock	bloque de cabeza
17	Manici spingi pezzo	poignées	handles	Griffe	manijas

Tab 1

Particolare attenzione deve essere fatta alle avvertenze contrassegnate con questo simbolo :

Il faut prêter une attention toute particulière aux notes précédées de ce symbole:

Special attention must be given to warnings with this symbol:

Lesen Sie die mit diesem Symbol bezeichneten Abschnitte mit besonderer Aufmerksamkeit:

Se tiene que prestar una atención especial a las indicaciones marcadas con el signo:

Dear Customer,
 Congratulations on your choice of purchase: IMER sawing machines are the result of years of experience and are equipped with all the latest technical innovations.

⚠ - WORKING IN SAFETY

To work in complete safety, read the following instructions carefully.

This OPERATION AND MAINTENANCE manual must be kept by the SITE MANAGER and be always available for consultation.

The manual should be considered as a part of the machine and must be kept for future reference, for the whole life of the machine. Should the manual be lost or damaged, a replacement copy can be ordered from the manufacturer.

The manual contains important information regarding site preparation, installation, machine use, maintenance procedures, and requests for spare parts. Nevertheless, the installer and the operator must both have adequate experience and knowledge of the machine prior to use.

In order to ensure operator safety, safe operation and long service life, it is imperative to adhere to the instructions set out herein and the requirements of the legislation in force governing safety in the workplace. Use individual safety equipment (suitable shoes and clothing, gloves, safety glasses, etc.).

⚠ - It is mandatory to wear protective goggles.

⚠ - It is mandatory to use individual hearing protectors.

⚠ - Make sure that all signs are legible.

⚠ - It is strictly forbidden to carry out any form of modification to the machine structure and systems.

IMER INTERNATIONAL accepts no responsibility in the event of failure to comply with laws governing the use of this type of equipment, with particular reference to: improper use, power supply errors, lack of maintenance, unauthorised modification, and failure to comply, either wholly or partially, with the instructions set out in this manual.

IMER INTERNATIONAL reserves the right to modify features of the saw and/or the contents of this manual, without the obligation to update previous machines and/or manuals.

1 TECHNICAL DATA

Technical data are stated in Tab 2 and the electrical specifications in Tab 3.

- TECHNICAL DATA	
Model	Masonry 750 Plus
Max disc diameter	750 mm
Disc hole	25.4 mm
Disc revs (230V/50Hz)	976 rpm
Disc revs (400V/50Hz)	1440 rpm
Disc revs (400V/60Hz)	1475 rpm
Disc revs (220V/60Hz) SPH	1180 rpm
Disc revs (220V/60Hz) TPH	1475 rpm

Disc rotation direction (view from the movable disc guard)	clockwise
Cutting table dimensions	490x660 mm
Overall dimensions (width x length x height)	850x1550x1600 mm
Overall dimensions for transport (width x length x height)	850x1550x1600 mm
Weight of saw in operation	285 kg
Weight for transport	202 kg

Table 2

Electrical features	Motor (230V/50Hz)	Motor (400V/50 Hz)	Motor (400V - 60Hz)	Motor (220 V - 60 Hz) SPH	Motor (220 V - 60 Hz) SPH
Power (kW)	2.2	5.5	5.5	4.0	5.5
Rated voltage (V)	220-240	400	400	220	220
Frequency (Hz)	50	50	60	60	60
Absorbed current (A)	13.8	11.6	11.5	23.2	21.6
Rpm	1420	1440	1740	1740	1730
Type of service	S1	S3	S3	S1	S1
Insulation class	F	F	F	f	F
Protection class	IP55	IP55	IP55	IP 55	IP55
Capacitor (μF)	2 x 50	/	/	180	/

Table 3

2 NOISE LEVEL AND VIBRATIONS

Tab 4 gives the sound pressure level of the machine measured at the ear of the operator when running empty (LPA) and vibrations transmitted when it is operating.

Model	Type of motor	L _{pA}	A _{eq}
Masonry 750 Plus	Electric	95 dB	2.33 m/s ²

Table 4

3 CUTTING SPECIFICATIONS

The sawing machine is designed to cut only bricks, ceramics, marble, granite, concrete products and similar items. The machine must be used ONLY with segmented or continuous rim diamond cutting blades, which must be water-cooled at all times. The use of blades for dry cutting is strictly forbidden and the machine must not be used to cut any material other than those included in this specification. IMER INTERNATIONAL accepts no responsibility for loss or damage resulting from improper use of the machine.

4 CUTTING CAPACITY (Disc diameter 750 mm)

- Maximum cutting capacity in one pass = 300 mm
- Maximum height of the piece to be cut = 430 mm
- Minimum width of the piece to be cut = 50 mm
- Maximum cutting length with disc lowered = 500 mm
- Maximum cutting length with disc descent from above = 560 mm


5 WARNING

Do not load the machine with pieces of excessive weight (max Kg 40).


- Pay attention to the stability of the machine: it must be installed on a stable base with a maximum inclination of 5° (Fig. 2).
- The machine is equipped with a brake on the front swivel wheels. Before starting the cutting operations, lock the wheels with the brake.
- Pay attention to the stability of the pieces before, during and after cutting: the pieces must not protrude out of the working surface in any case.
- Avoid spilling residual liquids from cutting by using suitable containers.

6 SAFETY MEASURES

The IMER saw is designed to operate on construction sites and is not equipped with its own lighting; the work site must be well illuminated (min. 500 lux).

 - **Never use the saw in environments subject to the risk of explosions and/or fire.**

1. The IMER sawing machine will only run if all the safety devices are in place and in perfect condition.
2. Do not use improvised and/or defective power supply lines.
3. The connection lines on the site must be laid in such a way that they cannot be damaged. Never stand the saw on the power supply cable.
4. The plug/socket connections must be protected from water. Use only connectors equipped with protection against water jets (IP67).
5. Repairs to the electrical installations must only be carried out by specialised personnel. Do not make any adjustments or carry out any maintenance work while the machine is powered up or running.


 - **To stop the saw from working, use solely the specific switch (ref. 7, Fig. 1).**

7 ELECTRICAL SAFETY

The IMER sawing machine complies with current legislation and in particular it is equipped with:

- System for preventing unwanted start-up on return of power after a power failure.
- Protection against short circuits.
- Thermal cut-outs protecting the motor.

8 TRANSPORTABILITY

 - **Before removing the sawing machine, lock the trolley by acting on the stopper (ref. 4 -Fig. 2).**

To lift the machine, use a three-boom tie rod (ref. 1, Fig. 2), engaging the hooks in the special connections (ref. 3, fig.4). To

carry the machine with a fork-lift truck, engage the forks in the special seats (ref. 2, Fig. 2).

Being the machine mounted on wheels, it can be moved manually on level surfaces in the following way:

1. make sure the front wheel brakes are released.
2. make sure that the workpiece trolley is blocked by means of the special ratchet (ref. 4, Fig. 2).
3. acting on the handle of the workpiece trolley, tow the machine manually; the pivoting front wheels facilitate the movement even if not straight.

9 INSTALLATION

1. Position the machine on a horizontal plane in a stable way.
2. Lock the front wheels with the brakes.
3. Unlock the trolley from the stop that fastens it to the head (ref. 4, Fig. 2).

10 ELECTRICAL MAINS CONNECTION

 - **Ensure that voltage corresponds to machine dataplate specifications.**

The power supply line must be equipped with current overload protection (e.g. thermal-magnetic cutout) and protection against indirect contact (e.g. residual current circuit breaker). The electrical power distribution board at the construction site must conform to the requirements of EN 60439-4.

The electric cable wire size must take into account the operating currents and length of the line to avoid excessive voltage drops (**Errore. L'origine riferimento non è stata trovata.**-recommended values).

Model	Type of motor	Cable (mm ²)			Cable length (m)
		2.5	4.0	6.0	
Masonry 750 Plus	230 V -50 hz 13.8 A	0-10	11-30		
	400 V - 50 Hz 11.6 A	0-10	11-30		
	400 V - 60 Hz 11.5 A	0-10	11-30		
	220 V 60 Hz SPH 23.2 A		0-20	21 - 30	
	220 V 60 Hz TPH 21.6 A		0-20	21 -30	

Table 5

Check the integrity of the insulation and protective conductor of the electrical supply.


Connect the machine plug to the electrical power supply and tighten the mechanical retainer ring with IP67 protection rating. The machine is now ready for operation.

11 COMMISSIONING THE MACHINE

Before connecting the machine to the electric mains:

1. Check that the tank contains a sufficient amount of cooling water (minimum 60 l, maximum 90 l).
2. Make sure that the power supply mains complies with the requirements of paragraph 10 "Electrical mains connection".
3. Then disconnect the machine on the power supply line.
- 4.1. For the machine with 230V/50Hz motor: press the starter switch on the electrical panel.


4.2. For the machine with 400V/50Hz motor: Check that the direction of rotation of the blade is in accordance with the arrow on the guard.

 - **Otherwise, turn the selector on the electric plug with a screwdriver. Check again that the direction of rotation of the blade is in accordance with the arrow on the guard**

5. Adjust the cooling water flow turning the special tap on the back of the machine next to the cutting head (no dry cuts should be made).


6. If everything is in order, the work can begin.

12 STOPPING THE SAWING MACHINE

 - **The sawing machine can be stopped by pressing the button on the electrical panel (ref7 - Fig. 1).**

To start the machine again, turn the button and then press the start button (ref7 - Fig. 1).

13 DISC ASSEMBLY


 - **The disc must be assembled after stopping the machine and disconnected the power supply.**


1. Remove the water pipe after having loosened the fastening element (ref. 4Fig. 3).


2. Unscrew the three screws that fasten the movable part of the disc guard using the special key supplied (ref. 3, Fig. 3).

3. Loosen the lock nut (ref. 1, Fig. 3) turning it clockwise (left thread).

4. Remove the movable flange (ref. 2, Fig. 3). Check for damage on flanges, disc shaft and disc.

 - **Do not use damaged discs, with missing sectors.**

 - **Use only discs that are suitable for the rpm shown on the machine data plate.**


 - **Check that the direction of rotation of the disc is the same as marked on the disc guard.**


5. Center the disc on the fixed flange, position the movable flange (ref. 2, Fig. 3) and correctly lock the locknut (ref. 1, Fig. 3) of the disc turning it anticlockwise (left thread).


6. Refit the movable part of the disc housing, fastening it with the respective screws (ref. 3, Fig. 3).

7. Re-insert the water pipe and tighten the fastening element until the pipe is locked (ref. 4, Fig. 3)

 - **Check that the disc housing is well secured.**


 - **An incorrectly assembled disc can cause damage to the machine and to people.**

 - **Note that the disc must have external diameter of 750 mm, central hole diameter of 25.4 mm and maximum thickness of 4 mm.**

 - **Make certain that the disc to be used is suitable for the material to be cut.**

 - **It is forbidden to use wooden discs.**

14 USE

 - **Leave at least 1.5 m of free space around the machine to operate safely.**


• Use the machine within the temperature range 0 - 40 °C.

• Do not allow anyone else to remain in the vicinity of the machine during cutting.

• Do not use the machine in areas exposed to the risk of fire. The cutting process may generate sparks, which could cause fires or explosions.


• Transport and position the machine only after disconnecting it from the power supply.


• Always make certain that the disc is not in contact with anything before starting the motor.

 - **Check that the disc guard is in place.**


• Before starting work, fill the tank with water. Restore the level during use, when it becomes necessary. The pump must always remain submerged.

• Insert the power plug.


 - **It is absolutely forbidden to remove the guards of the machine.**

 - **The electric motor is protected against thermal overload: this protection intervenes stopping the machine, after which it is necessary to wait for the time necessary to the thermal device to cool down before it is possible to restart the machine.**

14.1 Vertical movement of the disc

 - **All disc adjustment operations must be carried out with the saw machine off and disconnected power supply.**

To raise or lower the disc, turn the lever (ref. 15, Fig. 1) to the desired height from the cutting table and tighten the locking lever (ref. 16, Fig. 1).


 - **Make certain that the locking knob is properly tightened before starting the work.**

14.2 Cutting

During cutting operations it is mandatory to place both hands on the push handles of the trolley (ref. 17, Fig. 1)

It is also mandatory to wear the necessary personal protective equipment such as:

- gloves
- eye protection
- earphones for noise protection

 - **Check the alignment of the disc with the cutting line.**

1. Place the piece to be cut on the workpiece trolley (ref. 3, Fig. 1), resting firmly against the fixed stop.


2. Start the motor.

3. Wait until the water reaches the disc.

4. Make sure that nothing is in the cutting area that can hinder the cutting phase

5. Start cutting.

6. The horizontal cutting movement is achieved by manually moving the workpiece trolley towards the disc.

 - **A greater effort is required to the disc for cutting a workpiece with greater height. Therefore, in order not to overload the motor, the operator must adjust the carriage speed. This speed also depends on the characteristics of the material to be cut (hardness, toughness, etc.).**

14.3 Cut from above

Unlock the cutting head acting on the locking lever (ref. 16 Fig. 1), position the piece to be cut, start the sawing machine and

start cutting from above acting on the head lever (ref. 15, Fig. 1).

14.4 **Changing the disc**

To change the disc refer to the "Disc assembly" paragraph.


15 **Use of cutting disc diameter 700 mm**


A cutting disc with a diameter of 700 mm can be installed on the machine. The operation requires the cutting head stroke calibration, an operation carried out as standard by the manufacturer for a 750 mm diameter disc. Since this adjustment, if carried out incorrectly, can damage the machine and cause risks for people, it is recommended that it is carried out by skilled and qualified personnel.

Proceed as follows:


1. Make sure that the machine is disconnected from the power supply.
2. Fit the 700 mm diameter disc according to the procedure indicated in the "Disc Assembly" paragraph.
3. Loosen the knob (ref. 16, Fig. 1).
4. Lower the cutting head until the disc is in the best cutting position (the outer diameter of the disc must protrude 15 mm from the cutting table).
5. Turn the screw until the desired height adjustment is obtained and then tighten the knob (ref. 16, Fig. 1).


At this point the cutting head is adjusted for a 700 mm diameter disc.

 - **If it is necessary to reassemble a 750 mm diameter disc, it is necessary to repeat the adjustment, restoring the factory setting.**

 - **Note that the disc must have external diameter of 700 mm, central hole diameter of 25.4 mm and maximum thickness of 4 mm.**

16 **MAINTENANCE**

 - **Maintenance must be done by adequately trained personnel, after switching off the electric motor, and disconnected the power plug.**

 - **Check the condition of the power cable before starting to use the machine: someone may have inadvertently and/or unconsciously damaged it.**

 - **Make sure the guards/safety equipment are always functional and in good condition.**

In particular, keep the blade guards efficient and clean, taking care to replace them in case of damage.

Do not leave the machine outdoors: it must be protected from weather.

The cleaning operations to be carried out at the end of each work shift are indicated below.

16.1 **Tank cleaning**

Empty the tank, removing the cap. Remove the cutting deposit formed using a jet of water.

16.2 **Tank disassembling**

Empty the tank opening the cap and remove the tank laterally from the right or left side.

16.3 **Reference tables cleaning**

The support tables must be kept clean. Deposits of dirt can adversely affect the precision of cutting.

16.4 **Runners cleaning**

It is advisable to remove any trace of dirt that may have formed on the runners.

16.5 **Cleaning and maintenance of the cooling system**

If no water is reaching, stop cutting immediately to avoid damaging the blade.

Stop the machine and check that there is sufficient water in the tank.

If necessary, unplug the machine and check that the pump tap, hose or filter is not blocked.

16.6 **Drive belt tensioning**

1. Stop the saw and disconnect the power plug.
2. Unscrew the 4 screws that block the movable guard of the belt (ref. 1, Fig. 4).
3. Loosen the 4 nuts (ref. 2, Fig. 4) that tighten the electric motor on the disc holder boom.
4. Pull the belt acting on the nuts (ref. 3, Fig. 4), the correct tensioning of the belt must be checked by means of a special instrument to measure the vibration frequency of the belt, the reference values to be considered are shown in the table below

Reference values for belt tension		
Type of motor	New (Hz)	Run in (Hz)
400V - 50Hz	47 Hz +/- 2%	45 Hz +/- 2%
220 V - 50Hz	45 Hz +/- 2%	43 Hz +/- 2%
400 V - 60 Hz	47 Hz +/- 2%	45 Hz +/- 2%
220 V - 60 Hz	45 Hz +/- 2%	43 Hz +/- 2%


Table 6


5. Tighten the nuts of the electric motor (ref. 2, Fig. 4), checking the alignment of the motor pulley and the disc pulley.
6. Refit the belt guard and lock it with the 4 screws (ref. 1, Fig. 4).

16.7 **Replacing the drive belt**

1. Switch off the electric motor and disconnect the power plug.
2. Unscrew the 4 screws that block the movable guard of the belt (ref. 1, Fig. 3).
3. Loose (ref 2 Fig. 4) that tighten the motor plates (ref. 137, TAV2) on the disc holder boom.
4. Loosen the belt acting on the nuts (ref. 3, Fig. 4) and replace it with the new one.
5. Pull the belt acting on the nuts (ref. 3, Fig. 4): the correct tension measured with frequency meter must be equal to the value shown in Tab 6.
6. Tighten the nuts on the motor plates (ref. 2, Fig. 4), checking the alignment of the motor pulley and the disc pulley.
7. Refit the belt guard and lock it with the 4 screws (ref. 1, Fig. 4).

16.8 **Repairs**

 - **All maintenance operations must be performed exclusively with the machine switched off, and the power plug disconnected from the mains.**

 - **If any guards are removed for repairs, ensure they are correctly refitted at the end of work.**

Use exclusively original IMER spare parts; modifications to parts are strictly prohibited.

17 RESIDUAL RISKS AND SAFETY NOTICES

Although the sawing machine has been manufactured fully in compliance with current regulations, residual risks exist that cannot be eliminated and involve the use of appropriate individual protection devices. The machine is equipped with notices to indicate the residual risks and how to avoid them.

NOISE HAZARD



Wear ear defenders

HAND CRUSHING/SHEARING HAZARD



Wear gloves

EYE INJURY HAZARD



Wear safety glasses

INCORRECT USE HAZARD



Read the manual before operating the machine



Cutting with water is compulsory

TRAPPING/CRUSHING AND SHEARING HAZARD



Do not remove the guards



Do not touch drive components



Danger of cutting

ELECTROCUTION HAZARD



Danger - electrical power

Note that the employer is responsible for ensuring his workers use individual safety equipment.

SILICA DUST WARNING

Grinding/cutting/drilling of masonry, concrete, metal and other materials with silica in their composition may give off dust or mists containing crystalline silica. Silica is a basic component of sand, quartz, brick clay, granite and numerous other minerals and rocks. Repeated and/or substantial inhalation of airborne crystalline silica can cause serious or fatal respiratory diseases, including silicosis. In addition, California and some other authorities have listed respirable crystalline silica as a substance known to cause cancer. When cutting such materials, always follow respiratory precautions.

Use appropriate NIOSH-approved respiratory protection where dust hazard may occur. Paper masks or surgical masks without a NIOSH approval number are not recommended because they do little to protect the worker. For more information about respirator programs, including what respirators have received NIOSH approval as safe and effective, please visit the NIOSH website at: <http://www.cdc.gov/niosh/topics/respirators>

Observe OSHA regulations for respirator use (29 C.F.R. § 1910.134). Visit <http://www.osha.gov> for more information.

California proposition 65 message

Some dust created by power sanding, sawing, grinding, drilling, and other construction activities contains chemicals known (to the State of California) to cause cancer, birth defects or other reproductive harm. Some examples of these chemicals are:

- Lead, from lead-based paints
- Crystalline silica, from bricks and cement and other masonry products
- Arsenic and chromium, from chemically treated lumber

For further information, consult the following sources:
<http://www.osha.gov/dsg/topics/silicacrystalline/index.html>
<http://www.cdc.gov/niosh/docs/96-112/>
<http://oehha.ca.gov/prop65/law/P65law72003.html>
<http://www.dir.ca.gov/Title8/sub4.html>
<http://www.P65warnings.ca.gov>

Your risk from these exposures varies depending on how often you do this type of work. To reduce your exposure to these chemicals, work in a well-ventilated area, and work with approved safety equipment, such as dust masks that are specially designed to filter out microscopic particles. Where use of a dust extraction device is possible, it should be used. To achieve a high level of dust collection, use an industrial HEPA vacuum cleaner. Observe OSHA 29 CFR part 1926.57 and 1926.103.

18 TROUBLESHOOTING

- CAUTION!!! All maintenance operations must be performed exclusively with the machine stopped off and the power plug disconnected from the mains.

Problem	Causes	Corrective action
Motor fails to start when switch is operated	Voltage not reaching supply line	Check the line *
	Electrical socket and plug are not properly connected	Restore correct connection
	The power cable from the plug to the panel is cut off	Change the cable *

	An electrical wire in the motor terminal board is disconnected	Restore the connection *
	An electrical wire in the electrical panel is disconnected	Restore the connection *
	The ON switch is faulty	Replace the switch *
	A fuse has blown	Replace the fuse *
	The thermal safety device has been triggered	Wait a few minutes and try again
Difficult trolley horizontal sliding	Dirty runners	Clean the runners
No cooling water reaching disc	Refer to "cleaning and maintenance of the cooling system" (par. 17.5)	
Disc fails to cut	The disc is worn	Replace with new disc
	Transmission belt not tensioned	Tighten the belts
Motor starts but disc does not turn	Belt broken	Replacing the drive belt
* Operation to be carried out by an electrician		

Tools supplied

- double-ended wrench CH 10-13
- open ended wrench CH 36

Go to Discount-Equipment.com to order your parts

INSTRUCCIONES TRADUCIDAS

Apreciado Cliente:

Enhorabuena por su compra, la sierra IMER es el resultado de años de experiencia e incorpora soluciones técnicas innovadoras para ofrecer la máxima fiabilidad.

 **- TRABAJAR CON SEGURIDAD**


Para trabajar en condiciones seguras es fundamental leer con atención las siguientes instrucciones.

El presente manual de USO Y MANTENIMIENTO debe ser conservado en las obras por el CAPATAZ y estar siempre disponible para que pueda consultarse en cualquier momento. El manual debe considerarse parte de la máquina y conservarse hasta el final de su vida útil para futuras consultas. Si se pierde o se daña, solicite un nuevo ejemplar al fabricante.


El manual contiene importantes indicaciones sobre la preparación del obrador y la instalación, el uso, mantenimiento y pedido de repuestos de la máquina. De todas formas, es indispensable que el técnico de mantenimiento y el usuario tengan experiencia y un conocimiento adecuado de la máquina.

Para garantizar la seguridad del operador, un funcionamiento correcto y una larga duración del equipo, deben respetarse no sólo todas las instrucciones del manual sino también las normas de seguridad y prevención de accidentes laborales establecidas por la legislación vigente. Haga uso de las protecciones individuales (calzado y ropa adecuados, guantes, gafas, etc.).

 - **El uso de gafas de protección es obligatorio.**

 - **El uso de medios de protección auditiva individuales es obligatorio.**

 - **Mantener siempre legibles las señales.**

 - **Se prohíbe modificar de cualquier modo la estructura o las distintas partes de la máquina.**

IMER INTERNATIONAL declina toda responsabilidad cuando no se respeten las leyes que regulan el uso de estos equipos, y, en concreto: uso indebido, errores de alimentación, falta de mantenimiento, modificaciones no autorizadas e incumplimiento total o parcial de las instrucciones ilustradas en este manual.

IMER INTERNATIONAL se reserva el derecho de modificar las características de la sierra y el contenido del manual sin obligación de actualizar la máquina o los manuales precedentes.

1 DATOS TÉCNICOS

Los datos técnicos figuran en la Errore. L'origine riferimento non è stata trovata. y las características eléctricas en la Errore. L'origine riferimento non è stata trovata..

- DATOS TÉCNICOS	
Modelo	Masonry 750 Plus
Diámetro máximo del disco	750 mm
Orificio del disco	25,4 mm
Revoluciones del disco (230 V/50 Hz)	976 rpm

Revoluciones del disco (400 V/50 Hz)	1440 rpm
Revoluciones del disco (400 V/60 Hz)	1475 rpm
Revoluciones del disco (220 V/60 Hz) SPH	1180 rpm
Revoluciones del disco (220 V/60 Hz) SPH	1475 rpm
Sentido de rotación del disco (vista desde el cárter del disco móvil)	horario
Medidas de la mesa de corte	490x660 mm
Medidas (ancho x largo x alto)	850x1550x1600 mm
Medidas para transporte (ancho x largo x alto)	850x1550x1600 mm
Peso de la sierra en servicio	285 kg
Peso para transporte	202 kg

Tabla 2

Características eléctricas	Motor (230 V/50 Hz)	Motor (400 V/50 Hz)	Motor (400 V - 60 Hz)	Motor (220 V - 60 Hz) SPH	Motor (220 V - 60 Hz) TPH
Potencia (kW)	2.2	5.5	5.5	4	5.5
Tensión nominal (V)	220-240	400	400	220	220
Frecuencia (Hz)	50	50	50	60	60
Corriente absorbida (A)	13.8	11.6	11.5	23.2	21.6
Revoluciones (rpm)	1420	1440	1740	1740	1730
Tipo de servicio	S1	S3	S3	S1	S1
Clase de aislamiento	F	F	F	f	F
Grado de protección	IP55	IP55	IP55	IP55	IP55
Condensador (µF)	2 x 50			180	

Tabla 3
2 NIVEL DE EMISIÓN SONORA Y VIBRACIONES TRANSMITIDAS

En la Errore. L'origine riferimento non è stata trovata. figura el nivel de presión sonora medido en el oído del operador en vacío (L_{PA}) y de las vibraciones transmitidas durante el trabajo.

Modelo	Tipo de motor	L _{PA}	A _{eq}
Masonry 750 Plus	Eléctrico	95 dB	2.33 m/s ²

Tabla 4

3 HERRAMIENTAS DE CORTE

La sierra está diseñada para cortar solamente ladrillos, cerámica, mármol, granito, productos de cemento y similares. Deben emplearse exclusivamente hojas de diamante con canto de corte continuo o en sectores, refrigerados por agua. No utilice por ningún motivo hojas para corte en seco, ni corte materiales distintos de los indicados. IMER INTERNATIONAL declina toda responsabilidad por daños derivados de un uso impropio de la máquina.

4 CAPACIDAD DE CORTE (Diámetro del disco 750 mm)


- Capacidad de corte máxima en una sola pasada= 300 mm
- Altura máxima de la pieza que se va a cortar:= 430 mm
- Anchura mínima de la pieza que se va a cortar:= 50 mm
- Longitud de corte máxima con disco bajado= 500 mm
- Longitud de corte máxima con bajada vertical del disco= 560 mm

5 ADVERTENCIAS


- No cargue en la máquina piezas de peso excesivo (máx 40 kg).
- Preste atención a la estabilidad de la máquina: debe estar instalada sobre un plano horizontal estable con una inclinación máxima de 5° (Fig. 2).
- La máquina está dotada de freno en las ruedas delanteras pivotantes. Antes de comenzar las operaciones de corte, bloquee las ruedas con el freno.
- Preste atención a la estabilidad de las piezas antes, durante y después del corte: en ningún caso las piezas deben sobresalir de la mesa de trabajo.
- No vierta en el medio ambiente los líquidos residuales del corte; coloque recipientes apropiados para recogerlos.

6 MEDIDAS DE SEGURIDAD

La sierra IMER ha sido proyectada para trabajar en obras de construcción y no dispone de iluminación propia. Por lo tanto, el lugar de trabajo deberá estar suficientemente iluminado (mín. 500 lux).

 - La sierra no debe emplearse en ambientes donde exista peligro de explosión o de incendio.

1. Utilice la sierra IMER solo si tiene todos los dispositivos de protección instalados y en perfectas condiciones.
2. No utilice cables de alimentación improvisados o defectuosos.
3. Los cables de alimentación deben tenderse de manera que tal que no puedan ser dañados. No apoye la sierra sobre el cable de alimentación.
4. Las conexiones deben disponerse de manera tal que el agua no pueda penetrar. Utilice exclusivamente conectores protegidos contra chorros de agua (IP67).
5. Las reparaciones de las instalaciones eléctricas deben ser realizadas exclusivamente por técnicos especializados. No efectúe operaciones de reglaje o mantenimiento con la máquina conectada a la corriente o en funcionamiento.


 -Para detener la sierra se ha de utilizar exclusivamente el interruptor específico (ref. 7, Fig. 1).

7 SEGURIDAD ELÉCTRICA

La sierra IMER cumple con lo dispuesto por la normativa vigente y en concreto está equipada con:

- Sistema contra el arranque fuera de tiempo tras un corte de energía eléctrica.
- Protección contra cortocircuitos.
- Protección térmica del motor.

8 TRANSPORTE

 - Antes de desmontar la sierra bloquear el carro mediante el bloqueo de seguridad (ref. 4 -Fig. 2).

Para levantar la máquina, use un tirante de tres brazos (ref. 1, Fig. 2), fijando los ganchos en las conexiones específicas (ref. 3, fig. 4). Para transportar la máquina con una carretilla elevadora, introducir las horquillas en las sedes específicas (ref. 2, Fig. 2).


Al estar la máquina montada sobre ruedas, se puede mover manualmente sobre superficies planas de la siguiente manera:

1. Asegúrese de desbloquear los frenos de las ruedas delanteras.
2. Asegúrese de que el carro que sujeta la pieza esté bloqueado por medio del trinquete especial (ref. 4, Fig. 2).
3. Actuando sobre el mango del carro que sujeta la pieza, remolque la máquina manualmente; las ruedas delanteras pivotantes facilitan el movimiento incluso no recto.

9 INSTALACIÓN

1. Coloque la máquina en un plano horizontal de forma estable.
2. Bloquee las ruedas delanteras con los frenos.
3. Suelte el carro del bloqueo de seguridad que lo fija al cabezal (ref. 4, Fig. 2).

10 CONEXIÓN A LA RED ELÉCTRICA

 - Compruebe que la tensión disponible sea igual a la que se indica en la placa de datos de la máquina.

La línea de alimentación eléctrica debe estar dotada de protección contra sobrecorrientes (p. ej. con un interruptor magnetotérmico) y contra los contactos indirectos (p. ej. con un interruptor diferencial).

El cuadro de distribución de la energía eléctrica del lugar de la obra debe cumplir con la norma EN 60439-4.

Las dimensiones de los conductores del cable de alimentación eléctrica deben ser adecuadas para la corriente de funcionamiento y para la longitud de la línea, a fin de evitar caídas excesivas de tensión (**Errore. L'origine riferimento non è stata trovata.** - valores recomendados).

Modelo	Tipo de motor	Sección cable (mm ²)			Longitud del cable (m)
		2.5	4.0	6.0	
Masonry 750 Plus	230 V -50 hz 13.8 A	0-10	11-30		
	400 V - 50 Hz 11.6 A	0-10	11-30		
	400 V - 60 Hz 11.5 A	0-10	11-30		
	220 V 60 Hz SPH 23.2 A		0-20	21 - 30	
	220 V 60 Hz TPH 21.6 A		0-20	21 - 30	

Tabla 5


Asegúrese de la integridad del aislamiento y del conductor de protección de la alimentación eléctrica.

Conecte la clavija eléctrica de la máquina en la toma de corriente y enrosque la tuerca de retención con grado de protección IP67.


Ahora, la máquina está preparada para empezar a trabajar.

11 PUESTA EN SERVICIO DE LA MÁQUINA

Antes de conectar la máquina a la fuente de alimentación:


1. Compruebe que el recipiente contenga una cantidad suficiente de agua de enfriamiento (mínimo 60 l, máximo 90 l).
2. Asegúrese de que el circuito de alimentación cumpla con los requisitos del párrafo 10 "Conexión a la red eléctrica".
3. Después conecte la máquina a la línea eléctrica de alimentación.
- 4.1. Para la máquina con motor de 230 V/50 Hz: presione el interruptor de arranque en el panel eléctrico.
- 4.2. Para la máquina con motor de 380 V/50 Hz: Compruebe que el sentido de rotación de la hoja esté de acuerdo con la flecha situada en el cárter de protección.
 - **De lo contrario, gire el selector en el enchufe eléctrico con un destornillador. Compruebe otra vez que el sentido de rotación de la hoja esté de acuerdo con la flecha situada en el cárter de protección.**
5. Ajuste el flujo de agua de refrigeración girando el grifo especial en la parte posterior de la máquina junto al cabezal de corte (no se deben hacer cortes en seco).
6. Si todo está en orden, el trabajo puede comenzar.

12 PARADA DE LA SIERRA

 - **La sierra se puede detener presionando el botón situado en el panel eléctrico (ref 7 - Fig. 1).**


Para volver a poner en marcha la máquina, gire el botón y luego presione el botón de arranque (ref 7 - Fig. 1).


13 MONTAJE DISCO

 - **El montaje del disco debe realizarse después de haber detenido la máquina y desconectado la fuente de alimentación.**

1. Retire el tubo del agua después de aflojar el elemento de fijación (ref. 4, Fig. 3).
2. Desatornille los tres tornillos que fijan la parte móvil del cárter del disco con la llave especial que se incluye (ref. 3, Fig. 3).
3. Afloje la tuerca de bloqueo (ref. 1, Fig. 3) girándola en el sentido de las agujas del reloj (rosca izquierda).
4. Retire la brida móvil (ref. 2, Fig. 3). Compruebe si hay daños en las bridas, el eje del disco y el disco.

 - **No use discos con sectores deteriorados o rotos.**

 - **Emplee sólo discos idóneos para el número de revoluciones indicado en la placa de datos de la máquina.**


 - **Compruebe que el disco gire en el sentido indicado en el cárter del disco.**


5. Centre el disco en la brida fija, coloque la brida móvil (ref. 2, Fig. 3) y bloquee correctamente la tuerca de bloqueo (ref. 1, Fig. 3) del disco girándolo en el sentido contrario a las agujas del reloj (rosca izquierda).


6. Vuelva a colocar la parte móvil del cárter del disco, fijándola con los tornillos correspondientes (ref. 3, Fig. 3).

7. Vuelva a insertar el tubo del agua y apriete el elemento de fijación hasta que el tubo esté bloqueado (ref. 4, Fig. 3)

 - **Compruebe que el cárter del disco esté bien fijado.**


 - **Un disco montado incorrectamente puede causar daños a la máquina y a las personas.**

 - **El disco debe tener un diámetro exterior de 750 mm, un orificio central de 25,4 mm y un espesor máximo de 4 mm.**


 - **Asegúrese de que el disco es apto para el material que va a cortar.**

 - **El uso de discos para madera está prohibido.**


14 USO


 - **Deje al menos 1,5 m de espacio libre alrededor de la máquina para operar de forma segura.**

- Use la máquina dentro del rango de temperatura 0 - 40 °C.
- No permita que otras personas permanezcan cerca de la máquina durante el corte.
- No utilice la máquina en una zona con peligro de incendio. Una chispa puede provocar incendios o explosiones.
- Transporte y ubique la máquina solo después de desconectar la alimentación eléctrica.
- Antes de poner el motor en marcha, asegúrese de que el disco no esté en contacto con ningún objeto.


 - **Compruebe que la protección del disco esté en su sitio.**

- Llene siempre el recipiente de agua antes de empezar a trabajar. Durante el uso, restaure el nivel cuando sea necesario. La bomba debe permanecer siempre sumergida.
- Conecte el enchufe de alimentación eléctrica.


 - **Está absolutamente prohibido quitar las protecciones de la máquina.**

 - **El motor eléctrico está protegido contra sobrecargas térmicas: esta protección detiene la máquina y, una vez que se ha detenido, es necesario esperar el tiempo suficiente para que se enfríe el dispositivo térmico antes de volver a poner en marcha la máquina.**

14.1 Movimiento vertical del disco

 - **Todas las operaciones de reglaje del disco deben realizarse con el motor apagado y la alimentación eléctrica desconectada.**


Para subir o bajar el disco, levante la palanca (ref. 15, Fig. 1) hasta la altura deseada del plano de corte y apriete la palanca de bloqueo (ref. 16, Fig. 1).

 - **Antes de empezar el trabajo, compruebe que la palanca de bloqueo está bien apretada.**


14.2 Corte

Durante las operaciones de corte, es obligatorio colocar ambas manos en las empuñaduras del carro (ref.17, Fig. 1) También es obligatorio llevar el equipo de protección personal necesario, como:

- guantes
- gafas para protección
- auriculares para protección contra el ruido

 - **Compruebe la alineación del disco respecto a la línea de corte.**

1. Coloque la pieza que se va a cortar en el carro (ref. 3, Fig. 1), apoyado de forma estable contra el tope fijo del carro.
2. Poner en marcha el motor.
3. Espere hasta que el agua llegue al disco.
4. Asegúrese de que no haya nada en el área de corte que pueda obstaculizar la fase de corte.
5. Comience a cortar.
6. El movimiento de corte horizontal se logra moviendo manualmente el carro que sujeta la pieza hacia el disco.

 - **Cuanto mayor es la altura de corte, mayor es el esfuerzo que realiza el disco para cortar la pieza. De modo que para no sobrecargar el motor, el operador debe ajustar la velocidad de avance del carro. Esta velocidad también depende de las características del material que se va a cortar (dureza, cohesión, etc.).**

14.3 Corte con bajada vertical

Desbloquee el cabezal de corte mediante la palanca de bloqueo (ref. 16, Fig. 1), coloque la pieza que va a cortar, ponga en marcha la sierra y comience a cortar con un descenso desde la parte superior actuando sobre la palanca del cabezal (ref. 15, Fig. 1).

14.4 Cambio del disco

Para cambiar el disco, consulte el párrafo "Montaje del disco".


15 Uso del disco de corte de 700 mm de diámetro


En la máquina se puede montar un disco de corte de 700 mm de diámetro. El fabricante realiza la calibración de la carrera del cabezal de corte para un disco de 750 mm de diámetro. Dado que este ajuste, si no se realiza correctamente puede dañar la máquina y es un riesgo para las personas, se recomienda que lo lleve a cabo personal competente y cualificado.

Proceda de la siguiente manera:


1. Asegúrese de que la máquina esté desconectada de la fuente de alimentación.
2. Coloque el disco de 700 mm de diámetro de acuerdo con el procedimiento indicado en el párrafo "Montaje del disco".
3. Afloje el pomo (ref. 16, Fig. 1).
4. Baje el cabezal de corte hasta que el disco esté en la posición de corte óptima (el diámetro exterior del disco debe sobresalir 15 mm de la mesa de corte).
5. Gire el tornillo hasta obtener el ajuste de altura deseado y luego apriete el pomo (ref. 16, Fig. 1).


De este modo el cabezal de corte está ajustado para un disco de 700 mm de diámetro.


 - **Si desea volver a montar un disco de 750 mm de diámetro, es necesario repetir el ajuste y restaurar la configuración de fábrica.**

 - **El disco debe tener un diámetro exterior de 700 mm, un orificio central de 25,4 mm y un espesor máximo de 4 mm.**

16 MANTENIMIENTO

 - **Las operaciones de mantenimiento deben ser efectuadas por personal experto después de apagar el motor, desconectar la alimentación eléctrica y vaciar la cuba de mezcla.**

 - **Compruebe el estado del cable eléctrico cada vez que se utilice la máquina: alguien podría haberlo dañado involuntariamente.**

 - **Mantenga siempre las protecciones íntegras y en buen estado de funcionamiento.**

En concreto, mantenga las protecciones de la hoja limpias y en buen estado, teniendo cuidado de reemplazarlas si están dañadas.

No deje la máquina a la intemperie.

A continuación se describen las operaciones de limpieza que deben efectuarse al final de cada turno de trabajo.

16.1 Limpieza del recipiente

Quite el tapón y vacíe el recipiente. Limpie los residuos del corte con un chorro de agua.

16.2 Desmontaje del recipiente

Abra el tapón para vaciar el recipiente y quite el recipiente lateralmente desde el lado derecho o el izquierdo.

16.3 Limpieza de las mesas de apoyo

Las mesas de apoyo deben mantenerse limpias. Los restos de suciedad en dichas superficies pueden causar imprecisiones en los cortes.

16.4 Limpieza de las mesas de apoyo

Se aconseja quitar la suciedad depositada en las guías.

16.5 Limpieza y mantenimiento del equipo de refrigeración

Si el agua no llega al disco, interrumpa inmediatamente el corte para no dañar la hoja.

Una vez parada la máquina, controle que haya suficiente agua en el recipiente.

Si es necesario, con la máquina desenchufada, controle que no haya obstrucciones en el grifo, en el tubo o en el filtro de la bomba.

16.6 Compruebe el tensado de la correa de transmisión

1. Pare la sierra y desconecte la clavija de la alimentación eléctrica.
2. Desatornille los 4 tornillos que aseguran la protección de la correa móvil (ref. 1, Fig. 4).
3. Afloje las 4 tuercas (ref. 2, **Errore. L'origine riferimento non è stata trovata.**) que fijan el motor eléctrico en el brazo que sujeta el disco.
4. Tense la correa mediante las tuercas (ref. 3, Fig. 4), la comprobación del tensado de la correa deberá realizarse mediante el instrumento especial que permite medir la frecuencia de vibración de la correa. Los valores de referencia a tener en cuenta se muestran en la siguiente tabla

Valores de referencia para el tensado de la correa		
Tipo de motor	Nueva (Hz)	Usada (Hz)
380 V - 50 Hz	47 Hz +/- 2%	45 Hz +/- 2%
220 V - 50 Hz	45 Hz +/- 2%	43 Hz +/- 2%
380 V - 50 Hz	47 Hz +/- 2%	45 Hz +/- 2%
220 V - 60 Hz	45 Hz +/- 2%	43 Hz +/- 2%


Tabla 6


5. Apriete las tuercas del motor eléctrico (ref. 2, Fig. 4) y compruebe la alineación de las poleas del motor y del disco.
6. Vuelva a montar y bloquee el cárter de la correa con los 4 tornillos (ref. 1, Fig. 4).

16.7 Sustitución de la correa de transmisión

1. Apague el motor eléctrico y desconecte la clavija de la alimentación eléctrica.
2. Desatornille los 4 tornillos que aseguran la protección de la correa móvil (ref. 1, Fig. 4).
3. Afloje las 4 tuercas (ref. 2 Fig. 4) que fijan las chapitas del motor (ref. 137, TAV2) en el brazo que sujeta el disco.
4. Afloje la correa mediante las tuercas (ref. 3, Fig. 4) y cámbiela por una nueva.
5. Tense la correa mediante las tuercas (ref. 3, Fig. 4): la tensión correcta medida con un frecuencímetro debe corresponder al valor indicado en la **Errore. L'origine riferimento non è stata trovata.**
6. Apriete las tuercas en las chapitas del motor (ref. 2, Fig. 4) y compruebe la alineación de las poleas del motor y del disco.
7. Vuelva a montar y bloquee el cárter de la correa con los 4 tornillos (ref. 1, **Errore. L'origine riferimento non è stata trovata.**).

16.8 Reparaciones

 - **Antes de realizar cualquier operación de mantenimiento, pare la máquina y quite la clavija de la toma de corriente.**

 - **Si quita las cubiertas de protección para hacer alguna reparación, vuelva a montarlas otra vez correctamente cuando concluya el trabajo.**

Utilice sólo recambios originales IMER sin modificarlos.

17 RIESGOS RESIDUALES Y SEÑALES DE SEGURIDAD

Aunque la sierra se ha construido respetando totalmente la normativa vigente, existen ciertos riesgos que no se pueden eliminar y que exigen el uso de dispositivos específicos de protección individual. Una señalización adecuada colocada en la máquina indicará tanto los riesgos como los comportamientos a adoptar.

RIESGO DE RUIDO



Obligación de proteger el oído

RIESGO DE LESIONES EN LAS MANOS



Obligación de utilizar guantes

RIESGO DE LESIONES EN LOS OJOS



Obligación de proteger los ojos

RIESGO DE USO ANÓMALO



Obligación de leer el manual antes del uso



Obligación de corte con agua

RIESGO DE ARRASTRE, ABRASIÓN Y CORTE



Prohibición de quitar las protecciones



Prohibición de tocar los órganos de transmisión



Peligro de corte

RIESGO DE ELECTROCUCIÓN



Peligro corriente eléctrica

Se recuerda que el control del uso de los dispositivos de protección individual es obligación del empleador.

18 INCONVENIENTES/CAUSAS/SOLUCIONES

- ¡¡¡ATENCIÓN!!! Antes de realizar cualquier operación de mantenimiento, pare la máquina y quite la clavija de la toma de corriente.

Inconvenientes	Causas	Soluciones
Al accionar el interruptor la máquina no arranca.	No llega corriente a la línea de alimentación	Controlar la línea*
	La toma de corriente y la clavija no están bien enchufadas	Restablezca la conexión
	El cable de alimentación del enchufe al cuadro no transmite corriente	Sustituir el cable*
	Se ha desconectado un cable eléctrico de la regleta del motor	Restablecer la conexión *
	Hay un hilo eléctrico desprendido dentro del cuadro	Restablecer la conexión *
	El interruptor de arranque está estropeado	Sustituir el interruptor *
	Se ha fundido un fusible	Sustituir el fusible

	Se ha activado el dispositivo de seguridad térmica	Espere unos minutos y pruebe otra vez
El carro se desplaza horizontalmente con dificultad	Guías de deslizamiento sucias	Limpiar las guías
No llega agua de refrigeración al disco	Consulte "Limpieza y mantenimiento del equipo de refrigeración" (apartado 17.5)	
El disco no corta	El disco está desgastado	Monte un nuevo disco
	Correa de transmisión no tensada	Tensar la correa
El motor arranca pero el disco no gira	Rotura de la correa	Sustituir la correa de transmisión
*Esta operación debe ser realizada por un técnico electricista		

Herramienta en dotación

- llave de boca doble CH 10-13
- llave de una boca CH 36

Go to Discount-Equipment.com to order your parts

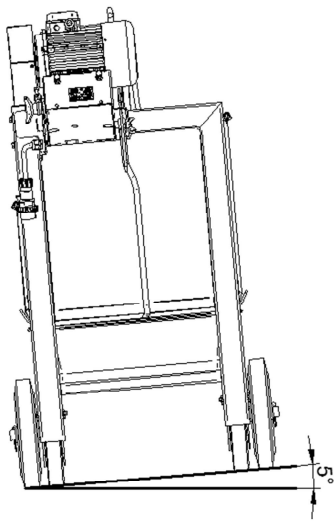


Fig. 2

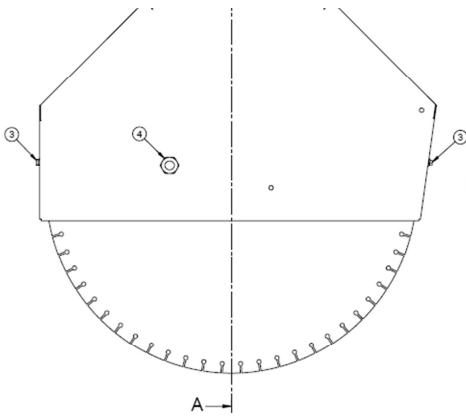
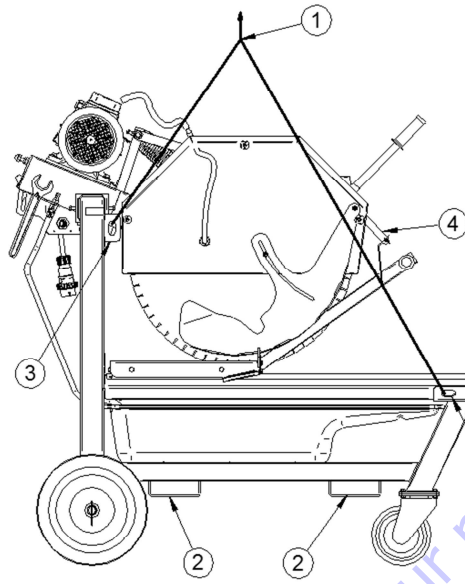
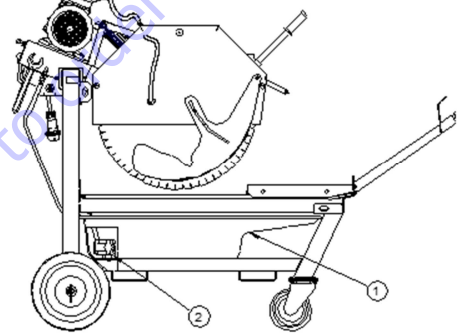


Fig. 3



- fig. 4

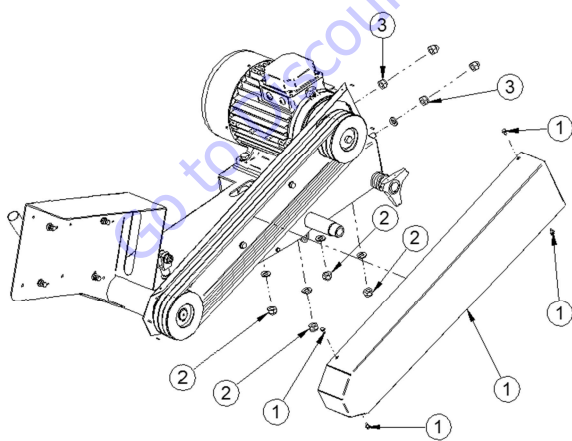
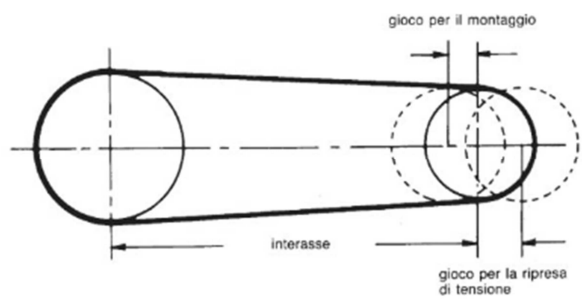
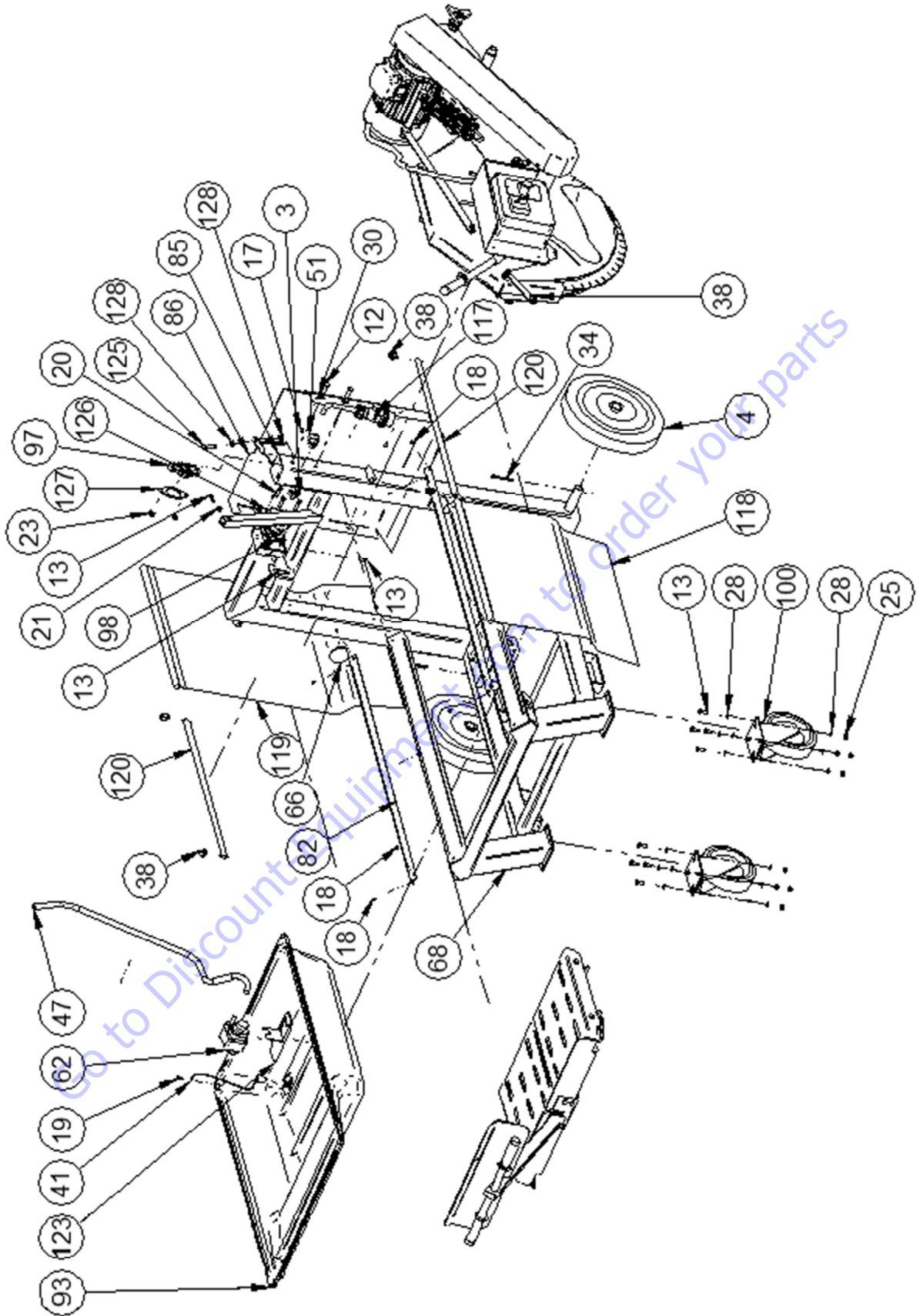


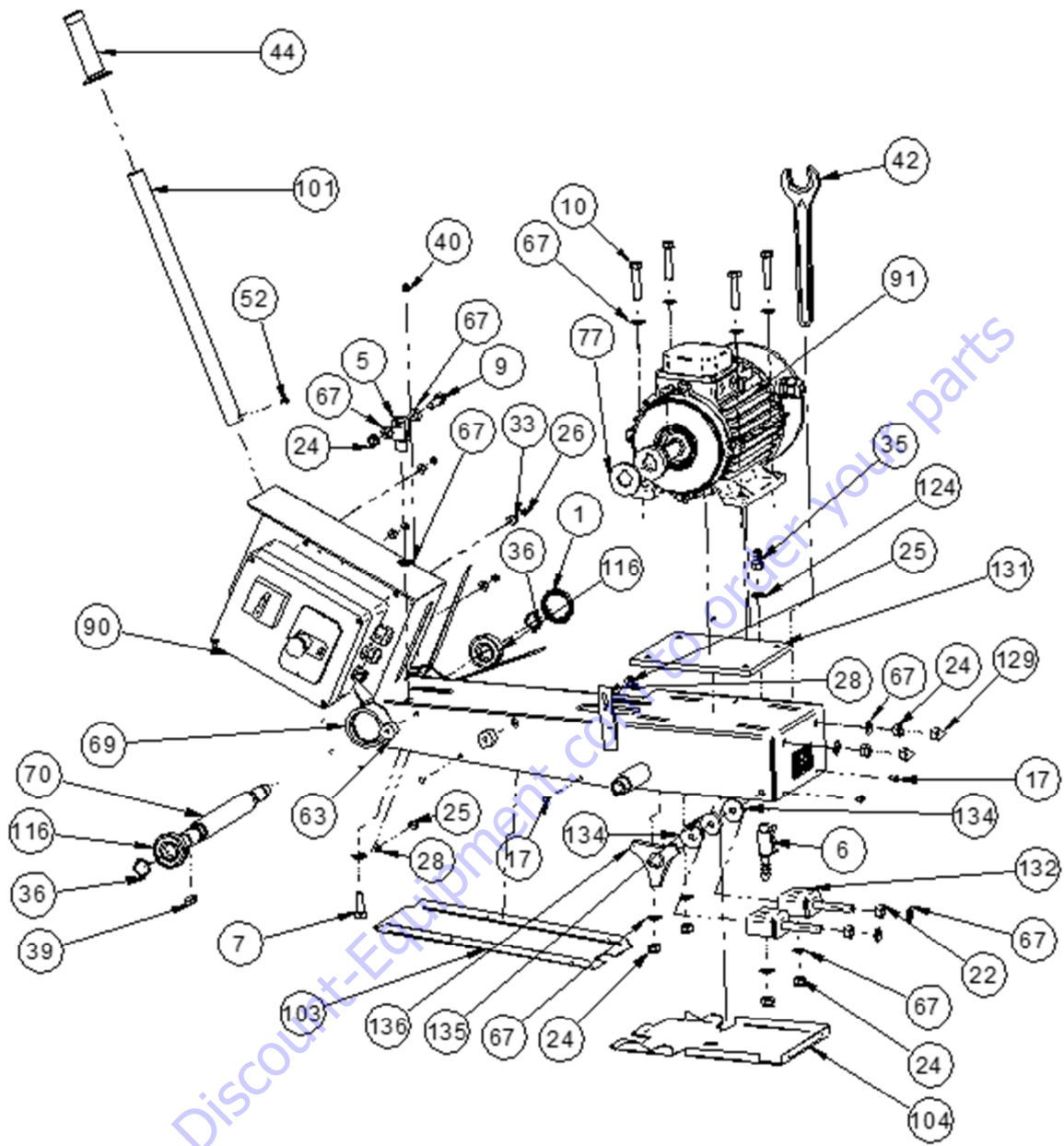
Fig. 4





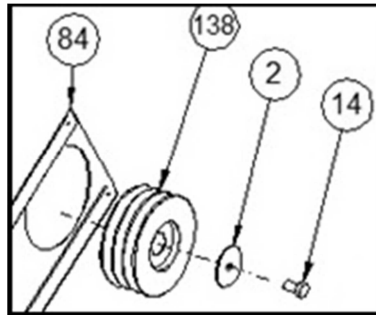
TAV.1

TAV.1 STRUTTURA DELLA MACCHINA - STRUCTURE MACHINE - MACHINE STRUCTURE - MASCHINENAUFBAU - ESTRUCTURA DE LA MAQUINA								
RIF.	FROM SERIAL NUMBER	COD.	I	F	GB	D	E	NOTE
3		1283984	DADO	ECROU	NUT	MUTTER	TUERCA	PG 21
4		2211150	RUOTA	ROUE	WHEEL	RAD	RUEDA	
12		2222073	VITE	VIS	BOLT	SCHRAUBE	TORNILLO	TE 8.8 5739 M10X35 Z
13		2222076	VITE	VIS	BOLT	SCHRAUBE	TORNILLO	TE 8.8 5739 M8X25 Z
17		2222420	VITE	VIS	BOLT	SCHRAUBE	TORNILLO	AUT. TE 6950 D.4.8X13 Z
18		2222430	VITE	VIS	BOLT	SCHRAUBE	TORNILLO	AUTOF. TC 7971 4.8X9.5
19		2222449	VITE	VIS	BOLT	SCHRAUBE	TORNILLO	AUTOF. TC 6954 3.5X19
20		2222530	VITE	VIS	BOLT	SCHRAUBE	TORNILLO	TCEI 5931 M8X35 Z
21		2223570	DADO	ECROU	NUT	MUTTER	TUERCA	5588 M8 Z
23		2223920	DADO AUTOBLOCCANTE	ECROU DE SURETE	SELF LOCKING NUT	SELBSTSICHERNDE MUTTER	TUERCA AUTOBLOCCANTE	AUTOBL. M10 7474
25		2223923	DADO AUTOBLOCCANTE	ECROU DE SURETE	SELF LOCKING NUT	SELBSTSICHERNDE MUTTER	TUERCA AUTOBLOCCANTE	AUTOBL. M8 7473
28		2224140	ROSETTA	RONDELLE	WASHER	UNTERLEGSCHIEBE	ARANDELA	6593 D.8X18 Z
30		2224340	ROSETTA	RONDELLE	WASHER	UNTERLEGSCHIEBE	ARANDELA	6592 D.10X21 Z
34		2226503	COPIGLIA	COUPLLE	SPLIT PIN	SPLINT	PASADOR	
38		3224628	COPIGLIA	COUPLLE	SPLIT PIN	SPLINT	PASADOR	
41		2235428	TAPPO CONICO COMPLETO	BOUCHON CONIQUE	CONICAL CAP	STOPFEN	TAPON CÓNICO	
47		2292356	TUBO ANTIGELO	ANTIGEL TUVAU	ANTI-FREEZE HOOSE	ROHR	TUBO ANTICONGELANTE	
51		3201503	PRESSACAVO	SERRE-CÂBLE	CABLE CLAMP	KABELKEMME	PRENSACABLE	HSK-K PG21
62		3208726	POMPA ACQUA	POMPE EAU	WATER PUMP	WASSER PUMPE	BOMBA DEL AGUA	
66		3210646	TAPPO	BOUCHON	CAP	STOFFEN	TAPON	
68		3233953	TELAIO	CHASSIS	FRAME	RAHMEN	BASTIDOR	
82		3224705	GUIDA	GLISSIERE	GUIDE BAR	FÜHRUNG	GUÍA	
85		3224814	TAPPO	BOUCHON	CAP	STOFFEN	TAPON	
86		3225043	PROTEZIONE POSTERIORE	PROTECTION	PROTECTION	SCHUTZ	PROTECCION	
93		3225642	VASCA	CUVE	DRUM	MISCHWANNE	RECIPIENTE	
97		3225993	SUPPORTO SNODATO	SUPPORT	SUPPORT	HALTERUNG	SOPORTE	
98		3225994	SUPPORTO SNODATO	SUPPORT	SUPPORT	HALTERUNG	SOPORTE	
100		3225997	RUOTA	ROUE	WHEEL	RAEDER	RUEDA	
117		3231334	SPINA	FICHE	PLUG	STECKER	ENCHUFE	4P (COD.1188856-1188860)
118		3228471	PARASCHIZZI DX	PROTECTION ÉCLABOUSSURES D	RH SPLASHGUARD	GUMMISPRITZSCHUT Z RECHTS	PARASALPICADURAS DER.	
119		3228472	PARASCHIZZI SX	PROTECTION ÉCLABOUSSURE G	LH SPLASHGUARD	GUMMISPRITZSCHUT Z LINKS	PARASALPICADURAS IZQ.	
120		3228543	SUPPORTO PARASCHIZZI. LAT.	SUPPORT PROT. ÉCLABOUSSURES LAT.	SIDE SPLASHGUARD SUPPORT	GUMMISPRITZSCHUT Z-HALTERUNG SEITLICH	SOPORTE PARASALPICADURAS LAT.	
123		3236243	SUPPORTO POMPA	POMPE SUPPORT	SUPPORT PUMP	HALTERUNG PUMPE	SOPORTE BOMBA	
125		2222089	VITE	VIS	BOLT	SCHRAUBE	TORNILLO	TE 8.8 5739 10X45Z
126		3231557	PIASTRINA SUPP. QUADRO	PLAQUETTE SUPPORT BOITER	PLATE SUPPORT JUNCTION BOX	PLATTCHEN HALTERUNG GEHAUSE	CHAPITA SOPORTE CAJA ELECTRA	
127		3231558	PIASTRINA SUPP.	PLAQUETTE SUPPORT	PLATE SUPPORT	PLATTCHEN HALTERUNG	CHAPITA SOPORTE	
128		2223650	DADO	ECROU	NUT	MUTTER	TUERCA	UNI-5588 M10 Z

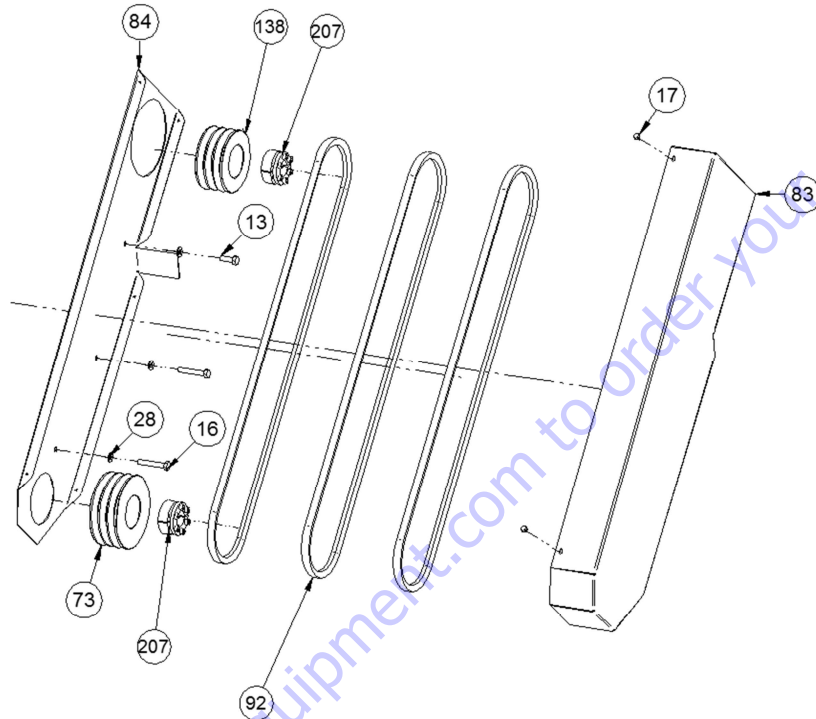


TAV.2

TAV.2 STRUTTURA DELLA MACCHINA - STRUCTURE MACHINE - MACHINE STRUCTURE - MASCHINENAUFBAU - ESTRUCTURA DE LA MAQUINA								
RIF.	FROM SERIAL NUMBER	COD.	I	F	GB	D	E	NOTE
1		1207088	ANELLO PARAOLIO	BAGUE D'ÉTANCHÉITÉ	OIL SEAL RING	ÖLABSTREIFRING	ANILO DE RÉTEN	ADT D.45X62X8
5		2213840	FORCELLA	FOURCHE	FORK	GABEL	HORQUILLA	1676 M12X62Z
6		2218075	RUBINETTO	ROBINET	VALVE	HAHN	GRIFO	
7		2222007	VITE	VIS	BOLT	SCHRAUBE	TORNILLO	TE 8.8 5739 M12X35 Z
9		2222036	VITE	VIS	BOLT	SCHRAUBE	TORNILLO	TE 8.8 5739 M12X40 Z
10		2222082	VITE	VIS	BOLT	SCHRAUBE	TORNILLO	TE 8.8 5739 M12X45 Z
17		2222420	VITE	VIS	BOLT	SCHRAUBE	TORNILLO	AUT. TE 6950 D.4,8X13 Z
22		2223700	DADO	ECROU	NUT	MUTTER	TUERCA	5588 M12 Z
24		2223921	DADO AUTOBLOCCANTE	ECROU DE SURETE	SELF LOCKING NUT	SELBSTSICHERNDE MUTTER	TUERCA AUTOBLOCANTE	AUTOBL. M12 7474
25		2223923	DADO AUTOBLOCCANTE	ECROU DE SURETE	SELF LOCKING NUT	SELBSTSICHERNDE MUTTER	TUERCA AUTOBLOCANTE	AUTOBL. M8 7473
26		2223927	DADO AUTOBLOCCANTE	ECROU DE SURETE	SELF LOCKING NUT	SELBSTSICHERNDE MUTTER	TUERCA AUTOBLOCANTE	AUTOBL. M5
28		2224140	ROSETTA	RONDELLE	WASHER	UNTERLEGSCHLEIBE	ARANDELA	6593 D.8X18 Z
33		2224531	ROSETTA	RONDELLE	WASHER	UNTERLEGSCHLEIBE	ARANDELA	D.6X18 Z
35		2226778	RACCORDO	RACCORD	ELBOW	ECKSTÜCK	EMPALME	F.3/8" D.10 RO150
36		2227240	ANELLO	BAGUE D'ÉTANCHÉITÉ	OIL SEAL RING	ÖLABSTREIFRING	ANILO DE RÉTEN	7435 E/30
39		2229350	LINGUETTA	CLÉ	KEY	KEIL	LLAVE	8X7X35
40		2230550	INGRASSATORE	GRAISSEUR	GREASER	SCHMIERER	INJECTOR DE LUBRIFICANTE	1/8 DIRITTO SGS - 196
42		2241574	CHIAVE	CLÉ	KEY	SCHLÜSSEL	LLAVE	
44		2288887	MANOPOLA	POIGNÉE	KNOB	KNOPF	POMO	
52		3203921	VITE	VIS	BOLT	SCHRAUBE	TORNILLO	TC PH M5X10 N
63		3210411	DISTANZIALE	ENTRETOISE	SPACER BRACKET	DISTANZHULSE	ESPACIADOR	
67		3211038	ROSETTA	RONDELLE	WASHER	UNTERLEGSCHLEIBE	ARANDELA	6592 D.13X24Z
70		3236651	ALBERO DISCO	ARBRE DISQUE	BLADE SHAFT	ANTRIEB	EJE DISCO	
77		3236199	DISTANZIALE	ENTRETOISE	SPACER BRACKET	DISTANZHULSE	ESPACIADOR	
90		3236200	QUADRO ELETTRICO	BOITER ELECTRIQUE	JUNCTION BOX	GEHAUSE	CAJA ELECTRA	TRIFASE
		3231344						MONOFASE
91		3225562	MOTORE	MOTEUR	MOTOR	MOTOR	MOTOR	400 V 50-60 Hz
		3234571						230v 50 hz
		3230330						220 v60 hz SPH
		3228123						220 v60 hz TPH
101		3226001	MANICO TESTA	POIGNÉE	HANDGRIP	GRIFF	EMPUÑADURA	
103		3226003	CARTER PROTEZ. TESTA ANT.	CARTER DE PROT. TÊTE AVANT	FRONT HEAD PROTECTION CASING	SCHUTZGEHÄUSE KOPF VORN	CARTER DE PROTECCIÓN CABEZAL ANT.	
104		3226004	CARTER PROTEZ. TESTA POST.	CARTER DE PROT. TÊTE ARR.	REAR HEAD PROTECTION CASING	SCHUTZGEHÄUSE KOPF HINTEN	CARTER DE PROTECCIÓN CABEZAL POST.	
116		3226506	CUSCINETTO	ROULEMENT	BEARING	LAGER	COJINETE	
124		2208820	ROSETTA ALLUM. DIAM.	RONDELLE	WASHER	UNTERLEGSCHLEIBE	ARANDELA	18X24X1.5
129		3227133	DADO	ECROU	NUT	MUTTER	TUERCA	UNI 5721 M12Z
131		3236216	PIASTRINA SOTTO MOTORE	PLAQUETTE MOTEUR	PLATE MOTOR	PLATTCHEN MOTOR	CHAPITA MOTOR	
132		3231301	PIASTRINA MOTORE	PLAQUETTE MOTEUR	PLATE MOTOR	PLATTCHEN MOTOR	CHAPITA MOTOR	
134		3225956	DISTANZIALE	ENTRETOISE	SPACER BRACKET	DISTANZHULSE	ESPACIADOR	
135		3233916	FERODO	FERODO	FERODO	FERODO	FERODO	
136		3231011	POMELLO	POIGNEE	KNOB	KNOPS	POMO	M12X40

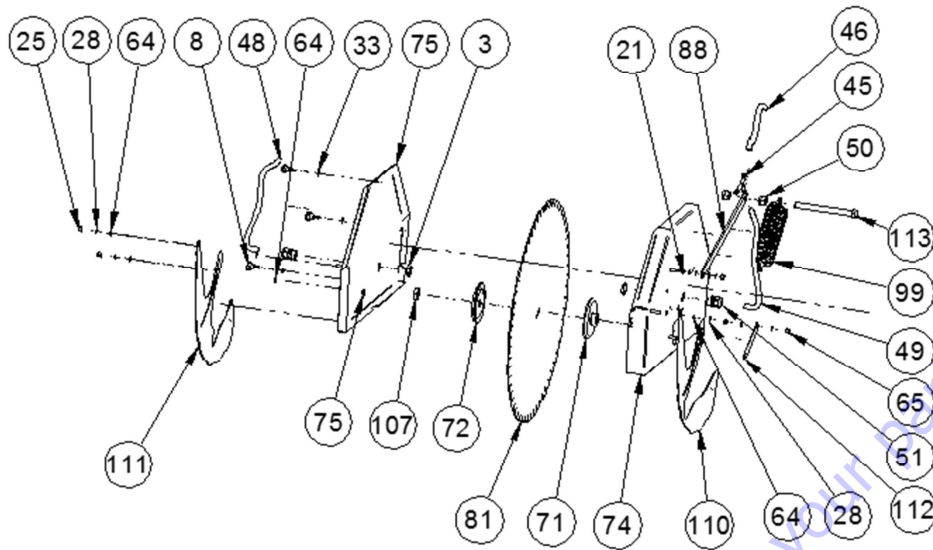


ONLY FOR 1188862-1188863



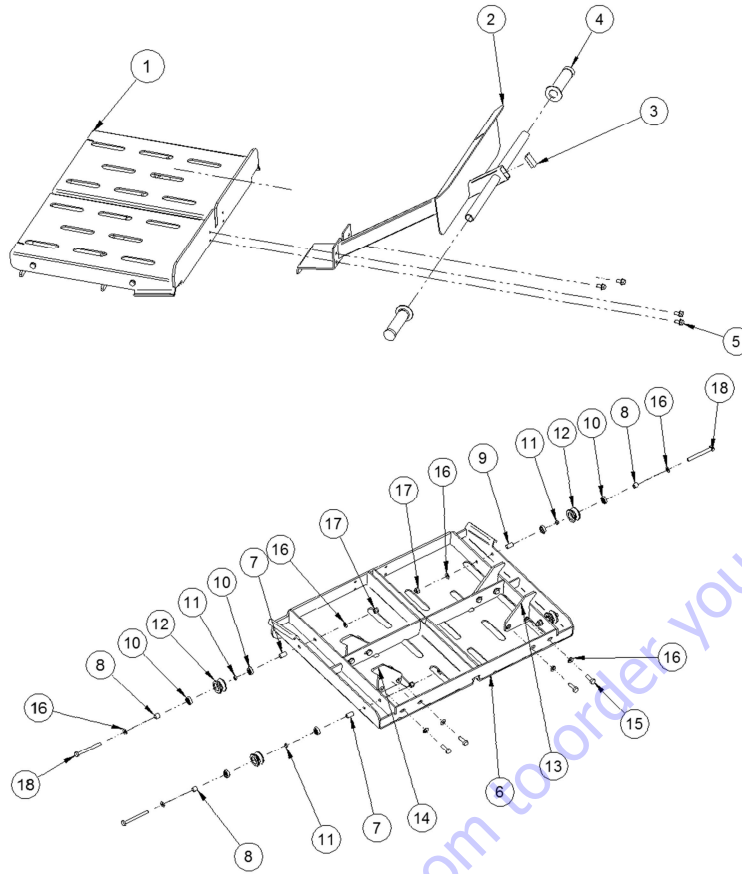
TAV.3

TAV.3 STRUTTURA DELLA MACCHINA - STRUCTURE MACHINE - MACHINE STRUCTURE - MASCHINENAUFBAU - ESTRUCTURA DE LA MAQUINA								
RIF.	FROM SERIAL NUMBER	COD.	I	F	GB	D	E	NOTE
2		1224113	ROSETTA	RONDELLE	WASHER	UNTERLEGSCHIEBE	ARANDELA	D.10X50X3 Z
13		2222076	VITE	VIS	BOLT	SCHRAUBE	TORNILLO	TE 8.8 5739 M8X25 Z
14		2222077	VITE	VIS	BOLT	SCHRAUBE	TORNILLO	TE 8.8 5739 M10X20 Z
16		2222176	VITE	VIS	BOLT	SCHRAUBE	TORNILLO	TE 8.8 5737 M8X50 Z
17		2222420	VITE	VIS	BOLT	SCHRAUBE	TORNILLO	AUT. TE 6950 D.4,8X13 Z
28		2224140	ROSETTA	RONDELLE	WASHER	UNTERLEGSCHIEBE	ARANDELA	6593 D.8X18 Z
37		2227300	ANELLO	BAGUE D'ÉTANCHÉITÉ	OIL SEAL RING	ÖLABSTREIFRING	ANILO DE RÉTEN	3653 E/28
73		3236209	PULEGGIA	POULIE	PULLEY	RIEMENSCHIEBE	POLEA	
83		3236954	CARTER CINGHIE ESTERNO	CARTER	GUARD	SCHUTZHAUBE	CÁRTER	
84		3236956	CARTER CINGHIE INTERNO	CARTER	GUARD	SCHUTZHAUBE	CÁRTER	
92		2211988	CINGHIA	COURROIE	BELT	RIEMEN	CORREA	400 V 50Hz
		3236210						230V - 50/60 HZ
		2210980						400V-60 HZ - 220V 60 HZ TPH
138		3236209	PULEGGIA	POULIE	PULLEY	RIEMENSCHIEBE	POLEA	400V-50HZ
		3236208						230V -50 HZ -- 220V 60HZ SPH
		3236564						400V -60HZ-- 220V 60 HZ TPH
207		3236650	CALETTATORE	COUPLAGE	COUPLING	Kupplung	encoger	



TAV.4

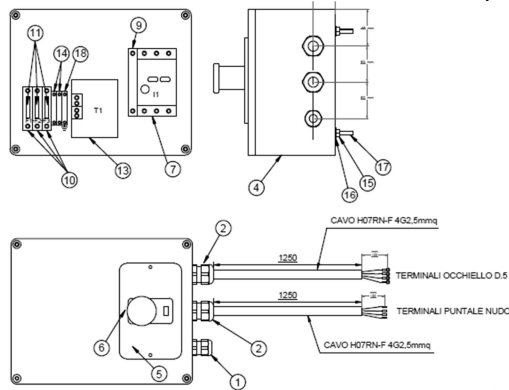
TAV.4 STRUTTURA DELLA MACCHINA - STRUCTURE MACHINE - MACHINE STRUCTURE - MASCHINENAUFBAU - ESTRUCTURA DE LA MAQUINA								
RIF.	FROM SERIAL NUMBER	COD.	I	F	GB	D	E	NOTE
3		1283984	DADO	ECROU	NUT	MUTTER	TUERCA	PG 21
8		3231012	POMELLO	POIGNEE	KNOB	KNOPS	POMO	M6
13		2222076	VITE	VIS	BOLT	SCHRAUBE	TORNILLO	TE 8.8 5739 M8X25 Z
21		2223570	DADO	ECROU	NUT	MUTTER	TUERCA	5588 M8 Z
25		2223923	DADO AUTOBLOCCANTE	ECROU DE SURETE	SELF LOCKING NUT	SELBSTSICHERNDE MUTTER	TUERCA AUTOBLOCCANTE	AUTOBL. M8 7473
28		2224140	ROSETTA	RONDELLE	WASHER	UNTERLEGSSCHEIBE	ARANDELA	6593 D.8X18Z
33		2224531	ROSETTA	RONDELLE	WASHER	UNTERLEGSSCHEIBE	ARANDELA	D.6X18 Z
45		2292355	DEVIAZIONE A Y	DÉVIATION À Y	Y DEVIATION	ANSCHLUSSSTÜCK	DESVIACIÓN A Y	
46		2292356	TUBO ANTIGELO	ANTIGEL TUVAU	ANTI-FREEZE HOOSE	ROHR	TUBO ANTICONGELANTE	
48		2292365	TUBO ANTIGELO	ANTIGEL TUVAU	ANTI-FREEZE HOOSE	ROHR	TUBO ANTICONGELANTE	
49		2292365	TUBO ANTIGELO	ANTIGEL TUVAU	ANTI-FREEZE HOOSE	ROHR	TUBO ANTICONGELANTE	
50		3201163	DADO	ECROU	NUT	MUTTER	TUERCA	5589 M18
51		3201503	PRESSACAVO	SERRE-CÂBLE	CABLE CLAMP	KABELKEMME	PRENSACABLE	HSK-K PG21
64		3210576	RONDELLA NYLON	RONDELLE	WASHER	SCHEIBE	ARANDELA	D.8.4X17X1.5
65		3210623	DADO AUTOBLOCCANTE	ECROU DE SURETE	SELF LOCKING NUT	SELBSTSICHERNDE MUTTER	TUERCA AUTOBLOCCANTE	M8 7474
71		3231339	FLANGIA INTERNA	FLASQUE INTÉRIEURE	INNER FLANGE	FLANSCH INN.	BRIDA INTERIOR	
72		3231340	FLANGIA ESTERNA	FLASQUE EXTÉRIEURE	OUTER FLANGE	FLANSCH AUSS.	BRIDA EXTERIOR	
74		3231285	CARTER DISCO	CARTER DISC	DISC COVER	SCHEIBENGEGÄUÛE	CÁRTER	
75		3231286	PROTEZ. CARTER DISCO	CARTER	GUARD	SCHUTZHAUBE	CÁRTER	
81		1193941 1193913	DISCO TAGLIO	DISQUE	CUTTING DISC	Scheibe	DISCO DE CORTE	
88		3225548	ASTA MOVIMENTO TESTA	TIGE ROTATION DISQE	BLADE GUARD ROTATION ROD	DREHSTANGE DER SCHUTZHAUBE-TRENNSCHEIBE	ASTA REGLAJE ROTACIÓN GUARDA DISCO	
99		3225996	MOLLA	RESSORT	SPRING	FEDER	MUELLE	
107		3226028	DADO	ECROU	NUT	MUTTER	TUERCA	5589 M24X2 SIN Z
111		3231290	PROTEZIONE SX DISCO	PROTECTION GCHE DISQUE	CUTTING WHEEL LH GUARD	LINKSSEITIGER SCHUTZ SÄGEBLATT	PROTECCIÓN IZQ. DISCO	
112		3226039	BLOCCAGGIO CARRELLO	CHARIOT CALAGE	TROLLEY CLAMPING	KARRE EINSpannung	CARRO BLOQUEO	
113		3226040	VITE	VIS	BOLT	SCHRAUBE	TORNILLO	TE 8.8 5737 M18X200 Z
137		2222004	VITE	VIS	BOLT	SCHRAUBE	TORNILLO	TE MM 8X35Z



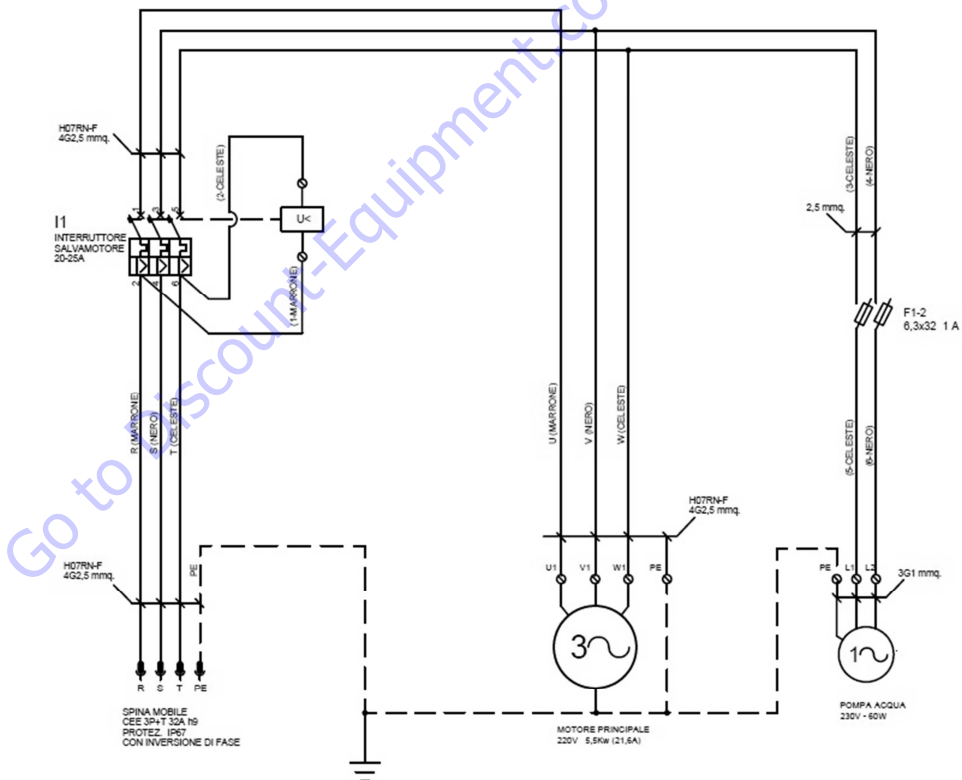
TAV.5

TAV.5 STRUTTURA DELLA MACCHINA - STRUCTURE MACHINE - MACHINE STRUCTURE - MASCHINENAUFBAU - ESTRUCTURA DE LA MAQUINA								
RIF	FROM SERIAL NUMBER	COD.	I	F	GB	D	E	NOTE
1		3234187	CARRELLO COMPLETO	CHARIOT	CARRIAGE	WAGEN	CARRO	
2		3225543	MANICO CARRELLO	POIGNÉE	HANDGRIP	GRIFF	EMPUÑADUDA	
3		3223713	TAPPO	BOUCHON	PLUG	STOFFEN	TAPON	
4		2288887	MANOPOLA	POIGNÉE	KNOB	KNOPF	POMO	
5		3227870	VITE	VIS	BOLT	SCHRAUBE	TORNILLO	TRILOBATA 8X16
6		3233942	CARRELLO	CHARIOT	CARRIAGE	WAGEN	CARRO	
7		3224566	DISTANZIALE	ENTRETOISE	SPACER BRACKET	DISTANZHULSE	ESPACIADOR	
8		3224680	DISTANZIALE	ENTRETOISE	SPACER BRACKET	DISTANZHULSE	ESPACIADOR	
9		3226034	DISTANZIALE	ENTRETOISE	SPACER BRACKET	DISTANZHULSE	ESPACIADOR	
10		3204945	CUSCINETTO	ROULEMENT	BEARING	LAGER	COJINETE	608 2RS1
11		3207393	DISTANZIALE	ENTRETOISE	SPACER BRACKET	DISTANZHULSE	ESPACIADOR	
12		3236244	RUOTA ALLUM.	ROUE	WHEEL	RAD	RUEDA	
13		3236213	PIASTRINA DX	PLAQUETTE DX	PLATE DX	PLATTCHEN DX	CHAPITA DX	
14		3236214	PIASTRINA SX	PLAQUETTE SX	PLATE SX	PLATTCHEN SX	CHAPITA SX	
15		2222076	VITE	VIS	BOLT	SCHRAUBE	TORNILLO	TE 8.8 5739 M8X25 Z
16		2224140	ROSETTA	RONDELLE	WASHER	UNTERLEGSCHIEBE	ARANDELA	6593 D.8X18 Z
17		2223923	DADO AUTOBLOCCANTE	ECROU DE SURETE	SELF LOCKING NUT	SELBSTSICHERNDE MUTTER	TUERCA AUTOBLOCANTE	AUTOBL. M8 7473
18		2222110	VITE	VIS	BOLT	SCHRAUBE	TORNILLO	TE 8.8 5737 M8X80 Z

MASONRY 750 PLUS- 220V/60Hz TPH (COD.1188864)



COMPONENTI ELETTRICI - COMPOSANTS ELECTRIQUE - ELECTRIC COMPONENTS - elektrische Komponenten- componentes eléctricos						
RIF.	COD.	I	F	GB	D	E
1	3201217	PRESSACAVO	SERRE-CABLE	CABLE CLAMP	KABELKLEMME	PRESACABLE
2	3201442	PRESSACAVO	SERRE-CABLE	CABLE CLAMP	KABELKLEMME	PRESACABLE
4	3236266	CASSETTA ELETTRICA	BOITER ELECTRIQUE	ELECTRIC BOARD	SCHALTAFEL	CAJA ELECTRA
5	3236265	SUPPORTO	SUPPORT	SUPPORT	HALTERUNG	SOPORTE
6	3236264	INTERRUTTORE DI AVVIAMENTO E ARRESTO	INTERRUPTEUR DE MARCHÉ ET ARRÊT	START AND STOP SWITCH	START- UND STOPPSCHALTER	INTERRUPTOR DE ARRANQUE Y PARADA
7	3237170	INTERRUTTORE	INTERRUPTEUR	THERMO-MAGNETIC CUTOFF SWITCH	SCHUTZSCHALTER	INTERRUPTOR MAGNETOTÉR MICO
9	3236454	BOBINA	BOBINE	COIL	SPULE	BOBINA
10	3227742	Portafusibile	porte-fusible	fuse holder	Sicherungshalter	Portafusibles
11	3227783	Fusibile	Fusible	Fuse	Sicherung	fusible
13	3210536	Autotrasformatore	Autotransformateur	Autotransformer	Spartrafo	Autotransformador



3236286 SCHEMA ELETTRICO - SCHÉMA ÉLECTRIQUE - WIRING DIAGRAM - SCHALTBILD - ESQUEMA ELÉCTRICO						
RIF.	I	F	GB	D	E	
I1	INTERRUTTORE SALVAMOTORE	interrupteur de protection du moteur	motor protection switch	Motorschutzschalter	interruptor de protección del motor	I1
U<	BOBINA DI MININA	SOUS-TENSION	UNDERVOLTAGE	UNTERSCHWACHUNG	POR BAJA TENSION	U<
T1	AUTOTRASFORMATORE	Autotransformateur	Autotransformer	Spartrafo	Autotransformador	T1
F1-F2-F3	PORTAFUSIBILE	porte-fusible	fuse holder	Sicherungshalter	Portafusibles	F1-F2-F3
I1	INTERRUTTORE SALVAMOTORE	interrupteur de protection du moteur	motor protection switch	Motorschutzschalter	interruptor de protección del motor	I1

TO PURCHASE THIS PRODUCT PLEASE CONTACT US



**Equipment Financing and
Extended Warranties Available**



**Discount-Equipment.com is your online resource for
commercial and industrial quality parts and equipment sales.**

561-964-4949

visit us on line @ www.discount-equipment.com

Select an option below to find your Equipment

Search by Manufacturer

Search by Product Type

Request a Quote

We sell worldwide for the brands: Genie, Terex, JLG, MultiQuip, Mikasa, Essick, Whiteman, Mayco, Toro Stone, Diamond Products, Generac Magnum, Airman, Haulotte, Barreto, Power Blanket, Nifty Lift, Atlas Copco, Chicago Pneumatic, Allmand, Miller Curber, Skyjack, Lull, Skytrak, Tsurumi, Husquvarna Target, Stow, Wacker, Sakai, Mi-T-M, Sullair, Basic, Dynapac, MBW, Weber, Bartell, Bennar Newman, Haulotte, Ditch Runner, Menegotti, Morrison, Contec, Buddy, Crown, Edco, Wyco, Bomag, Laymor, EZ Trench, Bil-Jax, F.S. Curtis, Gehl Pavers, Heli, Honda, ICS/PowerGrit, IHI, Partner, Imer, Clipper, MMD, Koshin, Rice, CH&E, General Equipment, Amida, Coleman, NAC, Gradall, Square Shooter, Kent, Stanley, Tamco, Toku, Hatz, Kohler, Robin, Wisconsin, Northrock, Oztec, Toker TK, Rol-Air, APT, Wylie, Ingersoll Rand / Doosan, Innovatech, Con X, Ammann, Mecalac, Makinex, Smith Surface Prep, Small Line, Wanco, Yanmar

ONE YEAR WARRANTY

We warrant to the original purchaser that the IMER equipment described herein (the "equipment") shall be free from defects in material and workmanship under normal use and service for which it was intended for a period of one (1) year from the date of purchase by the original purchaser.

Our obligation under this warranty is expressly limited to replacing or repairing, free of charge, F.O.B. our designated service facility, such part or parts of the equipment as our inspection shall disclose to be defective. Parts such as engines, motors, pumps, valves, electric motors, etc. furnished by us but not manufactured by us will carry only the warranty of the manufacturer. Transportation charges or duties shall be borne by the purchaser. This shall be the limit of our liability with respect to the quality of the equipment.

This warranty shall not apply to any equipment, or parts thereof, which has been damaged by reason of accident, negligence, unreasonable use, faulty repairs, or which has not been maintained and operated in accordance with our printed instructions for our equipment. Further, this warranty is void if the equipment, or any of its components, is altered or modified in any way.

THIS WARRANTY IS EXPRESSLY IN LIEU OF ALL OTHER WARRANTIES, EXPRESSED OR IMPLIED, INCLUDING ANY IMPLIED WARRANTY OF MERCHANTABILITY OF FITNESS FOR A PARTICULAR PURPOSE.

We make no other warranty, representation or guarantee, nor is anyone authorized to make one on our behalf. We shall not be liable for any consequential damage of any kind, including loss or damage resulting, directly or indirectly, from the use or loss of use of the machine. Without limiting the generality of the foregoing, this exclusion from liability embraces the purchase's expenses for downtime, damages for which the purchaser may be liable to other persons, damages to property, and injury or death of any persons.

This warranty shall not be deemed to cover maintenance parts, including but not limited to blades, belts, hoses, hydraulic oil or filters, for which we shall have no responsibility or liability whatsoever.

IMER U.S.A. Inc.



www.Discount-Equipment.com