



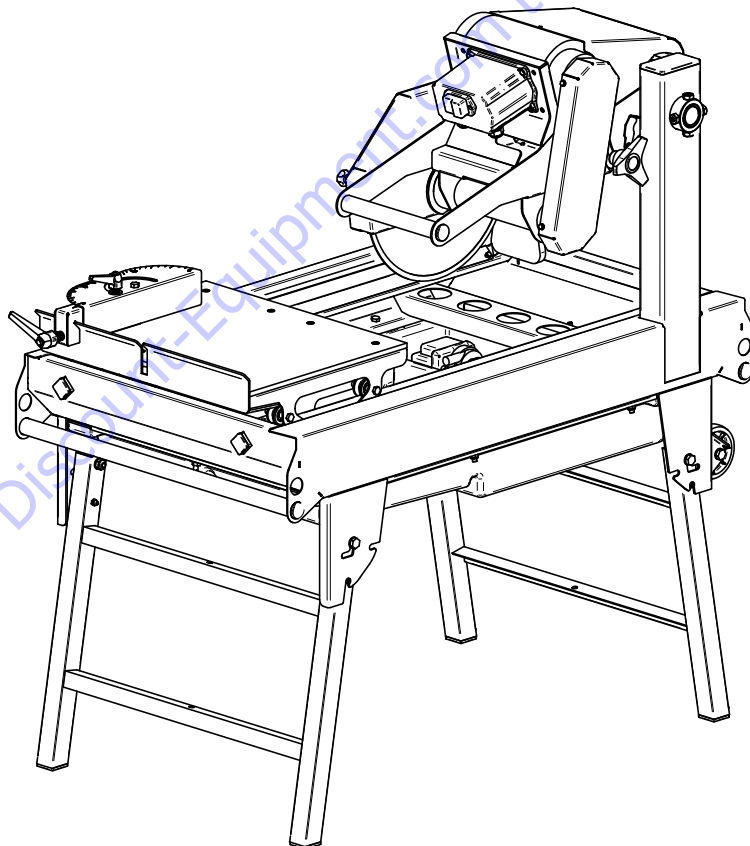
IMER U.S.A. inc.

SMART CUT 350 14"

Model 1188975

INSTRUCTION MANUAL and PARTS LIST

MANUAL DE USO, MANTENIMIENTO y RECAMBIOS



Manual Part. number 3231378_R05 - 06/2019

Machine serial N°

--	--	--	--	--	--	--	--	--	--	--	--	--	--	--	--	--	--	--	--

Write in the serial n° of your machine here.

PARTS FINDER

**Search Website
by Part Number**



**Search Manual
Library For Parts
Manual & Lookup Part
Numbers – Purchase
or Request Quote**

Search Manuals

Enter your information to search for manuals and parts.

* Brand:

* Model:

* Serial:

* Part Number:

SEARCH

**Can't Find Part or
Manual? Request Help
by Manufacturer,
Model & Description**

Parts Order Form

Please fill in the following information:

Manufacturer:	<input type="text"/>
Model:	<input type="text"/>
Description:	<input type="text"/>
Part Number:	<input type="text"/>
Quantity:	<input type="text"/>
Notes:	<input type="text"/>

Discount-Equipment.com is your online resource for quality parts & equipment.

Florida: **561-964-4949** Outside Florida TOLL FREE: **877-690-3101**

Need parts?

Click on this link: <http://www.discount-equipment.com/category/5443-parts/> and choose one of the options to help get the right parts and equipment you are looking for. Please have the machine model and serial number available in order to help us get you the correct parts. If you don't find the part on the website or on one of the online manuals, please fill out the request form and one of our experienced staff members will get back to you with a quote for the right part that your machine needs.

We sell worldwide for the brands: Genie, Terex, JLG, MultiQuip, Mikasa, Essick, Whiteman, Mayco, Toro Stone, Diamond Products, Generac Magnum, Airman, Haulotte, Barreto, Power Blanket, Nifty Lift, Atlas Copco, Chicago Pneumatic, Allmand, Miller Curber, Skyjack, Lull, Skytrak, Tsurumi, Husquvarna Target, , Stow, Wacker, Sakai, Mi-T- M, Sullair, Basic, Dynapac, MBW, Weber, Bartell, Bennar Newman, Haulotte, Ditch Runner, Menegotti, Morrison, Contec, Buddy, Crown, Edco, Wyco, Bomag, Laymor, Barreto, EZ Trench, Bil-Jax, F.S. Curtis, Gehl Pavers, Heli, Honda, ICS/PowerGrit, IHI, Partner, Imer, Clipper, MMD, Koshin, Rice, CH&E, General Equipment, ,AMida, Coleman, NAC, Gradall, Square Shooter, Kent, Stanley, Tamco, Toku, Hatz, Kohler, Robin, Wisconsin, Northrock, Oztec, Toker TK, Rol-Air, Small Line, Wanco, Yanmar

Thank-you for purchasing a SMART CUT 350 14" from an Imer U.S.A. dealer.
Your decision is an intelligent one.

There is no other hoist in the world which delivers the benefits and features of the SMART CUT 350 14".

- High cutting speed
- High power
- Tilting cutting head
- Folding legs and transport castors
- Sturdy frame and shatter-resistant plastic water tray

At Imer U.S.A. we continually search for ways to better serve our customers. Should you have an idea or thought to share with us regarding this product we would appreciate hearing from you. Our motto is "**Tools and Services for the 21st Century**". We look forward to delivering the goods.

Thank you again for your purchase.



Mace T. Coleman, Jr.
President, Imer U.S.A., Inc.

Go to Discount-Equipment.com to order your parts

Dear Customer,

Congratulations on your choice of purchase: IMER saws are the result of years of experience and are equipped with all the latest technical innovations.

⚠️ - WORKING IN SAFETY

To work in complete safety, read the following instructions carefully.

To work in complete safety, read the following instructions carefully before using the machine.

The manual is considered part of the machine and must be stored for future reference (EN 12100-2) through to scrapping of the machine itself. Should the manual be lost or damaged, a replacement copy can be ordered from the manufacturer.

The manual contains important information regarding site preparation, machine use, maintenance procedures, and requests for spare parts. Nevertheless, the installer and the operator must both have adequate experience and knowledge of the machine prior to use. In order to ensure operator safety, safe operation and long service life, all instructions in this manual must be observed, together with the requirements of current legislation governing work safety (use of safety footwear and adequate clothing, use of helmets, gloves, goggles etc.).

⚠️ - Make sure that all signs are legible.

⚠️ - It is strictly forbidden to carry out any form of modification to the steel structure or working parts of the machine.

IMER INTERNATIONAL declines all responsibility for failure to comply with laws and standards governing the use of this equipment, in particular; improper use, defective power supply, lack of maintenance, unauthorised modifications, and partial or total failure to observe the instructions contained in this manual.

IMER INTERNATIONAL reserves the right to modify features of the saw and contents of this manual, without the obligation to update previous machines and/or manuals.

1. TECHNICAL DATA

Technical data are stated in table 1 and electrical specifications in table 2.

Table 1 - TECHNICAL DATA	
Model	SMART CUT 350 14"
Max. blade diameter	350 mm
Diamond Blade hole diameter	25.4 mm
Single phase 115V/60Hz motor power	1,5 kW
Max. blade rotation speed (115V/60HZ)	1870 rpm
Cutting table dimensions	510X410mm
Length of 90° cuts (thickness= 10mm)	500 mm
Maximum cutting depth of dia. 350 disc with 1-2 passes	107/204mm
Water pump flow rate	13 l/min
Water tank capacity	40 L
Machine dimensions	1186x722x850 mm
Packed machine dimensions	1196x732x895 mm
Weight with packaging	102 Kg

Table 2	
Feature	Motor (115V/60Hz)
Power (kW)	1,5
Rated voltage (V)	115
Frequency (Hz)	60
Absorbed current (A)	14.4
Number of poles	2
Motor speed (rpm)	3400
Service type	S6 40%
Insulation class	F
Protection class	IP55
Capacitor (µF)	120 (Ø 50x120)

2. DESIGN AND CONSTRUCTION STANDARDS

Combi 250 VA saws have been designed and manufactured according to the following standards: UNI EN 12418:2001; EN 12100-1/2:2005; EN 60204-1:2006.

3. NOISE LEVEL AND VIBRATIONS

Table 3 gives the sound pressure level of the machine measured at the ear of the operator when running under no load (L_{pA}) and vibrations transmitted when it is operating.

Table 3			
Model	Type of motor	L_{pA}	A_{eq}
SMART CUT 350 14"	Electric	86 dB	2.57 m/s ²

4. GENERAL SAW DESCRIPTION

4.1 General description

The SMART CUT 350 14" sawing machine is composed of a frame (Fig.1, Ref.A) supported by folding legs (Fig.1, Ref.B). The cutting head (Fig.1, Ref.C) is mounted to a pillar and can be rotated up and down through 32° by slackening off the handwheel (Fig.1, Ref.D). The sawing machine is fitted with a blade guard (Fig.1, Ref.E) to guarantee optimal safety during operation and to protect the user during cutting cycles. The carriage (Fig.1, Ref.F) used to support the material being cut runs on the frame's rails. It mounts the goniometer (Fig.1, Ref.G) for making cuts at different angles. A plastic impact-resistant tank (Fig.1, Ref.H) is mounted under the frame. The immersion water pump (Fig.1, Ref.I) is housed inside the tank and supplies water to the nozzles (Fig.1, Ref.L) mounted on the blade guard which cool the disc during cutting. A valve (Fig.1, Ref.M) is mounted above the blade guard to adjust the flow rate of water delivered to the cutting blade.

4.2 Processable materials

The sawing machine has been designed for cutting the following materials: brick, ceramic, marble, granite, articles in cement and similar of a size compatible with the length, cutting depth and dimensions of the table specified in table 1. Maximum weight of processable materials: 35 kg.

5. OPERATION SAFETY

⚠️ - Before using the saw, ensure that all protection devices are fitted.

⚠️ - Never use the saw in environments subject to the risk of explosions or fire.

The saw is not fitted with specific lighting and therefore the workplace must be sufficiently lit for this purpose (min. 300 lux).

The power lines must be laid to prevent any possible damage.

Ensure that the electrical connection is protected against the risk of water penetration in connectors. Only use connectors and couplings equipped with spray guards.

Never use inadequate or makeshift electrical lines or cables without earthing; if in doubt consult a specialised technician.

Repairs to the electrical installation must be performed exclusively by specialised personnel Disconnect the machine from the power supply before performing maintenance or repairs.

6. GENERAL SAFETY WARNINGS

This machine was designed to provide the best performance and the highest degree of safety: however, it is up to the operator to ensure this safety, by taking due care during all work phases. The following are recommended:

1. Ensure that an efficient earthing system is installed.
2. Work only with all protection devices fitted correctly and in efficient working order.
3. Remove rings, watches, bracelets or ties before using the machine; these elements constitute a serious hazard to the operator. Also ensure that sleeves are tight around the wrists, hair is tied back and robust footwear is used.
4. Always use personal protection devices such as safety goggles, suitably sized gloves, ear muffs or plugs and hair caps when necessary.
5. Never cut workpieces that have dimensions or weight that are not suited to machine capacity as specified by the manufacturer (see point 4.2)
6. Always keep your hands away from the work areas when the machine is running. Before taking any action to remove a piece from close to the disc, stop rotation by pressing the stop button.
7. Keep the machine clean: the general cleanliness of the machine (especially its work tables) is an important factor in its safety.
8. Always stop the machine and disconnect from the power supply before cleaning or removing any protection device (for maintenance or disassembly purposes). If water jets are used for cleaning, never point jets directly at the power supply unit or electric motor.
9. Use genuine diamond blades as recommended by the manufacturer to ensure optimal performance of the machine.
10. Use exclusively water-cooled discs of a type suited to the material to be cut.
11. Never dry cut material or cut when cooling water levels are low.
12. Never use blades over the rotation speed specified by the manufacturer.
13. Do not use reduction rings to adapt the hole of the disc on the flange. Only use discs with hole corresponding to the flange supplied with the machine (1").
14. Never use diamond blades that are chipped or deformed.
15. The instructions in this manual are aimed at machine users (operators, maintenance engineers).

7. SAFETY DEVICES

The SMART CUT 350 14" has been constructed taking into account current harmonised European safety standards. According to the "machinery directive" 2006/42/EEC, all safety devices have been installed with the aim of safeguarding the operator.

7.1 Guards and safety devices

The machine is equipped with fixed guards, secured by means of screws and protections that prevent access to moving or dangerous parts. All fixed guards, covers, shields fixed by means of screws have been envisaged to protect the operator (maintenance engineers, technicians and others) from possible accidents caused by electrical discharge or moving mechanical parts.

Therefore use of the machine with guards removed or modified in any way is strictly prohibited.

⚠ - Before performing maintenance or repairs to the machine, turn it off via the main switch and disconnect from the power supply to prevent inadvertent start-up and isolate all machine electrical circuits.

8. MACHINE INSTALLATION

⚠ - Always remove the plug from the mains power before moving the machine.

⚠ - Always empty the tank before moving the machine.

8.1 Positioning

The machine must be placed on a smooth surface that is at least as large as its frame, or supported on its legs.

In the event of moving the saw, take care to lock the head by means of the knob

(Fig.1, Ref.D), lock the carriage with its cotter pin (Fig.1, Ref.N) and lift the machine by the handles machined into the frame (Fig.1, Ref.O) after having shut off its power supply.

8.2 Opening the legs.

To open the legs, proceed as follows: raise the machine at the rear (Fig.1, Ref.1), push the leg in the direction of the arrow (Fig.1, Ref.2) to move the bolt (Fig.1, Ref.3) away from the stop, turn it to open it (Fig.1, Ref.4) and snug the bolt into the slot (Fig.1, Ref.5). Now rest

the machine on the ground. Now do the same at the front end of the machine. To close the legs, reverse the procedure.

8.3 Lifting and handling

The SMART CUT 350 14" sawing machine weighs 82 Kg and can be moved by hand, lifting it with the handles machined into its frame or with a hoist, with ropes hooked into the indicated attachment points (Fig.1, Ref.P). The wheels (Fig.1, Ref.Q) are an aid to loading the machine onto a truck with a mobile platform.

9. ELECTRICAL CONNECTION

⚠ - Ensure that voltage corresponds to machine dataplate specifications.

The power supply line must be equipped with current overload protection (e.g. thermal cutout) and protection against indirect contact (e.g. residual current circuit breaker). Connect the machine to an efficient earthing system. The size of the power cable wires must be based on operating current and length of the power line to prevent excessive voltage drops (table 4).

Model	Type of motor	Cable (mm ²)			Cable length (m)
		1.5	2.5	4.0	
SMART CUT 350 14"	115 V 14.4 A	0 - 15	16 - 25	26 - 41	

Connect the saw plug to the mains and tighten the mechanical retainer ring with IP67 protection rating.

The saw is now ready for operation.

10. SAW START-UP

Connect the mains power cable to the plug on the electrical panel. Now start the sawing machine with the switch on the electrical cabinet over the motor, composed of two buttons: green for start, red for stop.

The switch is fitted with low voltage protection; in the event of accidental power failure, press the green button again to resume operation.

In the event of an emergency, press the protruding red pushbutton to shut down the machine and disconnect the plug from the power mains.

THERMAL CUTOUT

⚠ - The electric motor is protected against overload by a thermal cutout; in the event of overheating this device shuts down the motor. Cool the motor and restart the machine with the switch.

11. MACHINE USE

11.1 Operation

The correct side for the operator is shown in fig.3 ref.X.

Fill the water tank to the maximum level (approx. 40 litres). Connect the machine to the power mains and start as described in paragraph 10.

Open the valve (Fig.1, Ref. M) and make sure there is a sufficient flow of cooling water to the diamond blade.

11.2 Cutting

Rest the material to be cut on the cutting table against the stopper.

Set the required inclination using the goniometer. To adjust the cutting head height, loosen the handwheel (Fig.1, Ref. D), position the head at the required height, then fully tighten the handwheel. Start the saw as described in paragraph 10. To make the cut, place the part to be cut (Fig.3, Ref.D) on the carriage, then push it towards the disk placing the hands on the sides of the plan, as shown in Fig.3, Ref.E. If the feed speed is too fast in relation to the thickness and hardness of the material the blade might stop turning. In this case, release the disc as quickly as possible by moving the carriage back until the disc recovers its nominal rotation speed. Resume cutting, adjusting the feed speed according to the characteristics of the material.

⚠ - Ensure that the tank is kept full during all work phases and in the event of prolonged work intervals replace water regularly and remove all processing residue.

During the cutting phases place the hands at the ends of the cart, as far as possible from the cutting area. Do not push directly on the piece to be cut.

12. MAINTENANCE

12.1 Foreword

Routine maintenance operations can also be performed by non-specialised personnel provided that all safety standards specified in the relative sections of this manual are observed at all times.

12.2 Cleaning the machine

The machine should be cleaned exclusively when it is stationary.

⚠️ - All power switches must be set to "0" and plugs must be disconnected from the mains.

1. Never use compressed air; this could cause infiltration of dust or residue into corners.
2. Ensure that the cooling water nozzles are not obstructed.
3. In particular, it is recommended that you change the cooling water in the tank every day.
4. Do not use detergents or lubricants.

12.3 Cleaning the tank

Clean the tank in the event of build-up of sediment on the base, or at least once a day. Failure to clean the tank could impair operation of the immersion pump used for circulation of the diamond blade cooling water.

To clean out the tank, remove its plug and rinse it out with a jet of water - take care not to direct water onto electrical equipment.

12.4 Cleaning the cooling water supply circuit

At regular intervals (or when the flow rate of the blade cooling water is reduced) clean the cooling water supply circuit. To do this, disassemble the delivery nozzle located inside the blade guard (Fig.1, Ref. E) and clean in water.

Periodically clean the cooling water delivery line between the pump and valve and blade guard using water.

12.5 Replacing the disc

The diamond blade is made of material that may be damaged when subject to high temperatures, and therefore must be cooled during the work phases.

To replace the blade, proceed as follows:

1. Block the vertical movement of the cutting head by tightening down the handwheel (Fig.1, Ref.D).
2. Disassemble the front guard (Fig.1, Ref.E).
3. Loosen the locknut by rotating it clockwise (LH thread), using the 30 mm wrench supplied with the machine.
4. Move the cutting head forward slightly and incline to remove the blade from its seat.
5. Ensure that there are no foreign objects between the fixing flange and diamond blade. During disassembly, avoid use of tools that could dent or deform the flange.
6. Fit the new blade by proceeding in reverse order of the operation described at point 4. Take special care to ensure the correct direction of rotation of the diamond blade.
7. Tighten the blade locknut fully down by rotating anticlockwise (left thread), to a torque of 40 Nm.

⚠️ - Always disconnect the power plug before changing the disc.

12.6 Repairs

Repairs to the electrical installation must be performed exclusively by specialised personnel. Use exclusively original IMER spare parts; modifications to parts are strictly prohibited. The special design of the SMART CUT 350 14" ensures that no other maintenance other than that specified above is required. Ensure that the contacts of the power plug and plug-switch assembly are efficient. If oxidation is detected, clean immediately

⚠️ - In the event of activation of the differential circuit breaker, check the machine and arrange for repairs if necessary exclusively by specialised personnel.

12.7 Disposal of refuse

As regards disposal of processing waste, observe all current legislation in the country of use.

13. RESIDUAL RISKS AND SAFETY NOTICES

Although the sawing machine has been manufactured fully in compliance with current regulations, residual risks exist that cannot be eliminated and involve the use of appropriate individual protection devices. The machine is equipped with notices to indicate the residual risks and how to avoid them.

NOISE RISK



Ear protection must be worn

RISK OF INJURY TO THE HANDS



Safety gloves must be worn

RISK OF INJURY TO THE EYES



Eye protection must be worn

ABNORMAL USE RISK



Reading the manual before use is compulsory



Cutting with water is compulsory

DANGER OF CUTTING



DANGER OF ELECTROCUTION



DANGER INHALATION POWDER



ALWAYS avoid inhalation of and skin contact with silica dust and/or mist. Provide proper dust removal. Use dust-collection system when applicable.

Please be reminded that checking the use of IPDs is delegated to the employer.

SILICA DUST WARNING

Grinding/cutting/drilling of masonry, concrete, metal and other materials with silica in their composition may give off dust or mists containing crystalline silica. Silica is a basic component of sand, quartz, brick clay, granite and numerous other minerals and rocks. Repeated and/or substantial inhalation of airborne crystalline silica can cause serious or fatal respiratory diseases, including silicosis. In addition, California and some other authorities have listed respirable crystalline silica as a substance known to cause cancer. When cutting such materials, always follow respiratory precautions.

Use appropriate NIOSH-approved respiratory protection where dust hazard may occur. Paper masks or surgical masks without a NIOSH approval number are not recommended because they do little to protect the worker. For more information about respirator programs, including what respirators have received NIOSH approval as safe and effective, please visit the NIOSH website at: <http://www.cdc.gov/niosh/topics/respirators>

Observe OSHA regulations for respirator use (29 C.F.R. § 1910.134). Visit <http://www.osha.gov> for more information.

California proposition 65 message

Some dust created by power sanding, sawing, grinding, drilling, and other construction activities contain chemicals know (to the State of California) to cause cancer, birth defects or other reproductive harm. Some examples of these chemicals are:

- Lead, from lead-based paints
- Crystalline silica, from bricks and cement and other masonry products
- Arsenic and chromium, from chemically treated lumber

For further information , consult the following sources:
<http://www.osha.gov/dsg/topics/silicacrystalline/index.html>
<http://www.cdc.gov/niosh/docs/96-112/>
<http://oehha.ca.gov/prop65/law/P65law72003.html>
<http://www.dir.ca.gov/Title8/sub4.html>
<http://www.P65warnings.ca.gov>

Your risk from these exposures varies depending on how often you do this typer of work. To reduce your exposure to these chemicals, work in a well-ventilated area, and work with approved safety equipment, such as dust masks that are specially designed to filter out microscopic particles. Where use of a dust extraction device is possible, it should be used. To achieve a high level oof dust collection, use an industrial HEPA vacuum cleaner. Observe OSHA 29 CFR part 1926.57 and 1926.103.

14. TROUBLESHOOTING

⚠️ - CAUTION!!! All maintenance operations must be performed exclusively with the machine switched off, with the selector set to "0" and the power plug disconnected from the mains.

Trouble	Causes	Remedies
The motor does not start when the start switch is pressed	Current does not reach the supply line	Check the line *
	The socket and plug are not connected properly	Restore correct connection
	The differential switch is off	Turn the differential switch on
	The power cable from the plug to the panel is cut off	Change the cable *
	An electric wire inside the motor terminal strip is cut off	Restore the connection *
	An electric wire inside the panel is cut off	Change the switch *
	The start switch is faulty	Change the switch *
Cooling water fails to reach the blade	Low water level in tank	Restore the water level
	Pump filter clogged	Clean the pump filter
	Current fails to reach the pump	Check the pump electrical supply *
	Pump failure	Change the pump *
The blade does not cut	Blade fitted in the opposite direction to that of rotation	Remove the blade and reposition it in the direction shown on the blade label
	Worn blade	Change the blade
* Operation to be carried out by an electrician		

Apreciado Cliente:

Enhorabuena por su compra, la sierra IMER es el resultado de años de experiencia e incorpora soluciones técnicas innovadoras para ofrecer la máxima fiabilidad.

⚠️ - TRABAJO CON SEGURIDAD

Para trabajar en condiciones seguras es fundamental leer con atención las siguientes instrucciones.

El presente manual de USO Y MANTENIMIENTO debe permanecer en la obra al cuidado del responsable y ha de estar siempre disponible para su consulta.

El manual ha de considerarse parte de la máquina y conservarse para futuras consultas (EN 12100-2) hasta que la máquina se desguace. Si se pierde o se daña, solicite un nuevo ejemplar al fabricante.

El manual contiene importantes indicaciones sobre la preparación de la obra y la instalación, el uso, el mantenimiento y el pedido de recambios de la máquina. No obstante, es indispensable que el montador y el usuario tengan una adecuada experiencia y conozcan la máquina. Para garantizar la seguridad del operador y el funcionamiento correcto de la máquina durante mucho tiempo, es preciso respetar las instrucciones del manual además de las normas vigentes de seguridad y prevención de accidentes laborales (uso de calzado y ropa apropiados, cascos, mascarillas antipolvo, guantes, gafas, etc.).

⚠️ - Mantenga las etiquetas de advertencia de la máquina siempre legibles.

⚠️ - Se prohíbe modificar de cualquier modo la estructura metálica o las distintas partes de la sierra.

IMER INTERNATIONAL declina toda responsabilidad ante el incumplimiento de las normas que reglamentan el uso de esta máquina; en particular, por: uso impropio, defectos de alimentación, falta de mantenimiento, modificaciones no autorizadas e inobservancia total o parcial de las instrucciones dadas en este manual.

IMER INTERNATIONAL se reserva el derecho de modificar las características de la sierra o los contenidos del manual sin obligación de actualizar las máquinas o los manuales precedentes.

1. DATOS TÉCNICOS

Los datos técnicos figuran en la Tabla 1 y las características eléctricas en la Tabla 2.

Tabla 1 - DATOS TÉCNICOS	
Modelo	SMART CUT 350 14"
Diámetro máximo del disco diamantado	350 mm
Diámetro del orificio del disco diamantado	25,4 mm
Potencia del motor monofásico 115V/60Hz	1,5 kW
Velocidad máxima de rotación del disco (115V/60Hz)	1870 rpm
Medidas de la superficie	510 x 410 mm
Longitud de corte a 90°(esp.= 10 mm)	500 mm
Profundidad máxima de corte del disco Ø 350 con 1 o 2 pasadas	107 / 204 mm
Caudal de la bomba de agua	13 l/1'
Capacidad del depósito de agua	40 l
Medidas de la máquina	1186 x 722 x 850 mm
Medidas de la máquina embalada	1196 x 732 x 895 mm
Peso con embalaje	102 kg

Tabla 2	
Características eléctricas	Motor (115V/60Hz)
Potencia (kW)	1,5
Tensión nominal (V)	115
Frecuencia (Hz)	60
Corriente absorbida (A)	14,4
Número de polos	2
Revoluciones (rpm)	3400
Tipo de servicio	S6 40%
Clase de aislamiento	F
Grado de protección	IP55
Condensador (µF)	120 (Ø 60x121)

2. NORMAS DE DISEÑO

La sierra M400 Smart ha sido proyectada y realizada de conformidad con las siguientes normas: UNI EN 12418:2001; EN 12100-1/2:2005; EN 60204-1:2006.

3. NIVEL DE EMISIÓN SONORA Y VIBRACIONES TRANSMITIDAS

En la Tabla 3 figura el nivel de presión sonora medido en el oído del operador en vacío (L_{pA}) y de las vibraciones transmitidas durante el trabajo.

Tabla 3			
Modelo	Tipo de motor	L_{pA}	A_{eq}
SMART CUT 350 14"	Eléctrico	86 dB	2,57 m/s ²

4. DESCRIPCIÓN GENERAL DE LA SIERRA

4.1 Descripción general

La sierra SMART CUT 350 14" está compuesta por un bastidor (fig. 1, ref. A) con patas plegables (fig. 1, ref. B). El cabezal de corte (fig. 1, ref. C) está instalado sobre un montante y se puede girar 32° hacia arriba o hacia abajo aflojando el pomo (fig. 1, ref. D). La sierra está provista de un cárter (fig. 1, ref. E) para garantizar la máxima seguridad del operador durante el corte. Sobre las guías del bastidor se desliza el carro (fig. 1, ref. F) de apoyo del material que se ha de cortar. En él está instalado el goniómetro (fig. 1, ref. G) que permite realizar modificar el ángulo de corte. El depósito (fig. 1, ref. H) de plástico antichoque está fijado debajo del bastidor. La bomba de agua de inmersión (fig. 1, ref. I) está alojada dentro del depósito y se encarga de alimentar las boquillas (fig. 1, ref. L) montadas sobre el cárter para refrigerar el disco durante el funcionamiento. Sobre el cárter del disco se encuentra el grifo (fig. 1, ref. M) que regula el caudal de agua del disco de corte.

4.2 Materiales compatibles

Esta máquina puede cortar ladrillos, cerámica mármol, granito, obras de cemento y materiales similares cuyas dimensiones máximas sean compatibles con la longitud, la profundidad de corte y el tamaño de la superficie especificados en la tabla 1. El peso máximo de las piezas a cortar es de 35 kg.

5. SEGURIDAD OPERATIVA

⚠️ - Antes de utilizar la sierra, cerciórese de que tenga todos los dispositivos de protección instalados.

⚠️ - La sierra no debe emplearse en ambientes donde exista peligro de explosión o de incendio.

La sierra no dispone de iluminación propia, por lo cual el lugar de trabajo ha de estar suficientemente alumbrado (mín. 300 lux).

Los cables de alimentación se deben tender de manera que no puedan ser dañados.

La conexión eléctrica se debe realizar de forma que el agua no pueda penetrar en los conectores. Utilice exclusivamente conectores provistos de protección contra las salpicaduras de agua.

No utilice líneas eléctricas inadecuadas, provisionales o desprovistas de conductor de tierra; si es preciso, consulte con un técnico especializado. Las reparaciones de las instalaciones eléctricas deben ser realizadas exclusivamente por técnicos especializados. Desconecte la máquina de la alimentación eléctrica antes de realizar cualquier operación de mantenimiento o reparación.

6. ADVERTENCIAS GENERALES DE SEGURIDAD

Se recuerda que esta máquina ha sido realizada para ofrecer, además de las mejores prestaciones, la máxima seguridad. No obstante, el

operador ha de garantizar dicha seguridad prestando atención en cada momento del trabajo. Se aconseja a los trabajadores;

1. **Comprobar la eficacia del sistema de descarga a tierra.**
2. **Trabajar siempre con todas las protecciones instaladas y en perfectas condiciones de funcionamiento.**
3. **Quitarse anillos, relojes, pulseras y corbatas antes de utilizar la máquina; la experiencia demuestra que estos objetos y otros similares pueden provocar accidentes. También debe abotonarse bien los puños, recogerse el cabello largo y utilizar calzado resistente.**
4. **Emplear siempre los equipos de protección individual: gafas de seguridad, guantes de tamaño apropiado para la mano, auriculares y gorros para sujetar el cabello cuando sea necesario.**
5. **No cortar piezas de tamaño o peso no conformes a los indicados por el fabricante (apartado 4.2).**
6. **No acercar las manos a la zona de trabajo mientras la máquina está en marcha. Antes de extraer cualquier trozo que haya quedado junto al disco, presionar el pulsador de parada para detener el movimiento de rotación.**
7. **Mantener la máquina limpia. La limpieza general de la máquina (en particular de las mesas de trabajo) es un factor importante de seguridad.**
8. **Parar la máquina y desconectarla de la corriente eléctrica antes de limpiarla o de quitar cualquier protección (por ejemplo para realizar el mantenimiento o para desmontar algún componente). Si la limpieza se realiza con chorros de agua, no orientarlos directamente sobre el grupo de alimentación o sobre el motor eléctrico.**
9. **Para conseguir las mejores prestaciones de la máquina, utilizar los discos diamantados originales que recomienda el fabricante.**
10. **Emplear exclusivamente discos refrigerados por agua y de tipo adecuado para el material a cortar.**
11. **No cortar en seco o con bajo caudal de agua de refrigeración.**
12. **No superar nunca la velocidad de los discos indicada por el fabricante.**
13. **No utilizar anillos de reducción para adaptar el orificio del disco a la brida. Utilizar exclusivamente discos cuyo orificio coincida con la brida suministrada con la máquina (1").**
14. **No utilizar nunca discos diamantados que estén agrietados o deformados.**
15. **Las instrucciones contenidas en este manual están destinadas al personal que trabaje con la máquina (operadores y mantenedores).**

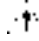
7. DISPOSITIVOS DE SEGURIDAD

La sierra SMART CUT 350 14" cumple las normativas de seguridad armonizadas para el ámbito europeo.

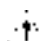
Con arreglo a la Directiva de Máquinas 2006/42/CE, los dispositivos de seguridad se han instalado teniendo en cuenta en primer lugar la seguridad del operador.

7.1 Protecciones y dispositivos de seguridad

La máquina está provista de cubiertas fijas, bloqueadas con tornillos, y de protecciones que impiden el acceso a las partes en movimiento y a las zonas peligrosas. Todas las protecciones fijas, cubiertas y pantallas fijadas con tornillos tienen la función de proteger a los operadores, mantenedores, técnicos y demás personal de eventuales descargas eléctricas y daños causados por partes mecánicas en movimiento. Por lo tanto, no se permite utilizar la máquina si dichas protecciones han sido modificadas o desmontadas.

 - **Antes de realizar cualquier tarea de mantenimiento o reparación en la máquina, es preciso apagarla con el interruptor general y desenchufarla de la alimentación general para aislar todos sus circuitos eléctricos, lo que evitará un arranque accidental.**

8. INSTALACIÓN DE LA MÁQUINA

 - **Antes de mover la máquina, desenchúfela siempre de la corriente eléctrica.**

 - **Vacíe el depósito antes de trasladar la máquina.**

8.1 Emplazamiento

Para su uso, la máquina debe apoyarse en una superficie al menos tan amplia como el bastidor y suficientemente regular, o bien sobre las patas de soporte.

Antes de transportar la máquina por la obra, bloquee el cabezal en posición inferior, apriete el pomo (fig. 1, ref.D), bloquee el carro con la chaveta (fig. 1, ref. N), desenchufe la máquina y levántela sujetándola por las manillas del bastidor (fig. 1, ref. O).

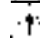
8.2 Apertura de las patas de soporte

Para abrir las patas: levante la parte trasera de la máquina (fig. 1, ref. 1), tire de la pata en la dirección que indica la flecha (fig. 1, ref. 2) para alejar el tornillo (fig. 1, ref. 3) del tope, gire la pata para abrirla (fig. 1, ref.4), desplace el tornillo hasta que encaje en la ranura (fig. 1, ref. 5) y apoye la máquina sobre el pavimento. A continuación, levante la parte delantera de la máquina y repita la secuencia de apertura anterior con las patas traseras. Para cerrar las patas, repita la secuencia de operaciones anterior en orden contrario.

8.3 Elevación y transporte

La sierra SMART CUT 350 14" pesa 82 kg y se puede transportar a mano, levantándola por las manillas del bastidor, o con un elevador, enganchando las eslingas en los puntos indicados (fig. 1, ref. P). Las ruedas (fig. 1, ref. Q) facilitan las maniobras a la hora de cargar la máquina en un vehículo utilizando una plataforma.

9. CONEXIÓN ELÉCTRICA

 - **Compruebe que la tensión disponible sea igual a la que se indica en la placa de datos de la máquina.**

La línea de alimentación eléctrica debe estar dotada de protección contra sobrecorrientes (p. ej. con un interruptor magnetotérmico) y contra los contactos indirectos (p. ej. con un interruptor diferencial). Conecte la máquina al sistema de descarga a tierra. Los conductores del cable de alimentación eléctrica deben tener dimensiones adecuadas para las corrientes de funcionamiento y para la longitud de la línea, a fin de evitar caídas excesivas de tensión (tabla 4).

Modelo	Tipo de motor	Cable (mm ²)			Longitud del cable (m)
		1,5	2,5	4	
SMART CUT 350 14"	115 V 14,4 A	0 - 15	16 - 25	26 - 41	

Conecte la clavija eléctrica de la sierra en la toma de corriente y enrosque la tuerca de retención con grado de protección IP67. Ahora, la sierra está preparada para empezar a trabajar.

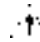
10. PUESTA EN MARCHA DE LA SIERRA

Conecte el cable de alimentación eléctrica a la clavija del cuadro eléctrico. Ponga en marcha la sierra pulsando el botón verde del interruptor del cuadro eléctrico situado encima del motor. El botón rojo detiene la sierra.

El interruptor está dotado de protección contra la tensión mínima. Si se verifica una falta de alimentación por causas accidentales, pulse otra vez el botón verde de arranque.

En caso de emergencia, pare la máquina con el botón rojo (saliente) y luego desenchúfela de la toma de corriente.

PROTECCIÓN TÉRMICA

 - **El motor eléctrico está protegido contra las sobrecargas mediante una sonda térmica que interrumpe el funcionamiento si se verifica un recalentamiento. En tal caso, deje enfriar el motor y póngalo en marcha activando nuevamente el interruptor.**

11. UTILIZACIÓN DE LA MÁQUINA

11.1 Modo de uso

El puesto de trabajo se ilustra en la fig. 3, ref. X.

Llene el depósito de agua hasta el nivel máximo (aproximadamente 40 litros). Conecte la máquina a la alimentación eléctrica y póngala en marcha como se indica en el apartado 10.

Abra el grifo (fig.1, ref. M) y compruebe que haya un abundante flujo de agua de refrigeración sobre el disco diamantado.

11.2 Corte

Apoye el material que se ha de cortar sobre la superficie del carro acercándolo al tope. Establezca la inclinación deseada mediante el goniómetro. Para regular la altura del cabezal de corte, afloje el pomo (fig. 1, ref. D), coloque el cabezal a la altura deseada y enrosque el pomo a fondo. Ponga la sierra en marcha como se describe en el apartado 10. Para efectuar el corte, coloque la pieza que desea cortar (fig. 3, ref. D) sobre el carro y, luego empujelo hacia el disco colocando las manos en los lados del plano, como se muestra en la Fig. 3, Ref.E. Una velocidad de avance excesiva respecto al espesor y a la dureza del material puede interrumpir el movimiento de rotación de la hoja. En este caso, libere el disco lo antes posible desplazando el carro para alejar la pieza hasta que el disco recupere el régimen de rotación nominal. Continúe con el corte adecuando la velocidad de avance a las características del material.

⚠ - Mantenga el depósito lleno de agua durante todo el trabajo. Si éste se prolonga, limpie los sedimentos que se acumulan en el depósito y cargue más agua.

Durante las fases de corte, coloque las manos en los extremos del carro, lo más lejos posible del área de corte. No presione directamente sobre la pieza que va a cortar

12. MANTENIMIENTO

12.1 Consideraciones preliminares

Las operaciones de mantenimiento ordinario pueden ser realizadas incluso por personal no especializado, siempre que se respeten las indicaciones de seguridad incluidas en este manual.

12.2 Limpieza de la máquina

La limpieza debe realizarse siempre con la máquina parada.

⚠ - Los interruptores de energía eléctrica deben estar siempre en posición "0" y las clavijas desenchufadas de la red eléctrica.

1. No utilice aire comprimido, ya que empujaría el polvo y los residuos hacia los rincones menos accesibles.
2. Compruebe que las boquillas del agua de refrigeración no estén obstruidas.
3. Se recomienda encarecidamente cambiar el agua del depósito todos los días.
4. No utilice detergentes ni lubricantes.

12.3 Limpieza del depósito

Limpie el depósito cada vez que note sedimentos en el fondo o, como mínimo, una vez al día. La suciedad del depósito puede perjudicar a la bomba de inmersión que impulsa el agua para refrigerar el disco diamantado.

Para limpiar el depósito, quite el tapón y aclare el depósito con un chorro directo de agua poniendo atención para no dañar las partes eléctricas.

12.4 Limpieza del circuito del agua de refrigeración

Periódicamente, o cuando el caudal del agua de refrigeración disminuye, es preciso limpiar el circuito de alimentación de agua. Desmonte y limpie la boquilla que está dentro del cárter del disco (fig. 1, ref. E). Lave la tubería con agua, desde la bomba hasta el grifo que está en el cárter.

12.5 Sustitución del disco

El material con que está realizado el disco se deteriora con las altas temperaturas, por lo cual ha de refrigerarse con agua durante el funcionamiento.

Para cambiar el disco, proceda del modo siguiente:

1. Bloquee el desplazamiento vertical del cabezal de corte con los pomos (fig. 1, ref. D).
2. Quite la cubierta delantera de protección (fig. 1, ref.E).
3. Desenrosque la tuerca de bloqueo hacia la derecha (rosca izquierda) con ayuda de la llave de 30 mm que se suministra con la máquina.
4. Extraiga el disco. Para ello, primero desplácelo y luego inclínelo levemente hasta que se salga de su alojamiento.
5. Compruebe que no haya objetos extraños entre las bridas de fijación y el disco diamantado. No utilice para el desmontaje o la limpieza ninguna herramienta que pueda abollar o deformar la brida.
6. Para montar el nuevo disco, efectúe en orden inverso las operaciones descritas en el punto 4. Preste especial atención al sentido de rotación del disco diamantado.
7. Bloquee correctamente la tuerca de fijación del disco, girándola hacia

la izquierda (rosca izquierda) con un par de apriete de 40 Nm.

⚠ - Desconecte siempre el enchufe de alimentación antes de sustituir el disco.

12.6 Reparaciones

Las reparaciones de las instalaciones eléctricas deben ser realizadas exclusivamente por un técnico especializado. Utilice sólo recambios originales IMER sin modificarlos. Por el tipo de construcción de SMART CUT 350 14", no hacen falta más tareas de mantenimiento que las indicadas. Controle que los contactos de la clavija y del grupo clavija-interruptor sean eficientes. Si están oxidados, límpielos de inmediato.

⚠ - Si se dispara el interruptor diferencial, haga controlar y, si corresponde, reparar la máquina por un técnico especializado.

12.7 Eliminación de los materiales de desecho

Elimine los materiales de desecho resultantes del uso de la máquina como establecen las leyes vigentes.

13. RIESGOS RESIDUALES Y SEÑALES DE SEGURIDAD

Aunque la sierra se ha construido respetando totalmente la normativa vigente, existen ciertos riesgos que no se pueden eliminar y que exigen el uso de dispositivos específicos de protección individual. Una señalización adecuada colocada en la máquina indicará tanto los riesgos como los comportamientos a adoptar.

RIESGO RUIDO



Obligación de proteger los oídos

RIESGO DE LESIONES EN LAS MANOS



Obligación de usar los guantes

RIESGO DE LESIONES EN LOS OJOS



Obligación de proteger los ojos

RIESGO DE USO ANÓMALO



obligación de leer el manual antes del uso



Obligación de corte con agua

PELIGRO DE CORTE



PELIGRO DE ELECTROCUCIÓN



PELIGRO INHALACIÓN EN POLVO



SIEMPRE evite la inhalación y el contacto de la piel con el polvo de sílice y / o la niebla. Proporcione la eliminación adecuada de polvo. Use un sistema de recolección de polvo cuando corresponda.

Se recuerda que el control del uso de los DPI es responsabilidad de la persona que ordena el trabajo.



14. INCONVENIENTES/CAUSAS/REMEDIOS

⚠ - ATENCIÓN! Antes de realizar cualquier operación de mantenimiento, pare la máquina, ponga el selector en "0" y quite la clavija de la toma de corriente alimentacione.

Inconvenientes	Causas	Remedios
Pulsando el interruptor de marcha el motor no parte	No llega tensión a la línea de alimentación	Controlar la línea *
	La toma y el enchufe eléctrico no están bien conectados	Restablecer la conexión correcta
	El interruptor del diferencial no ha sido accionado	Accionar el pulsador ON del diferencial
	El cable de alimentación del enchufe al cuadro no transmite corriente	Sustituir el cable *
	Un cable eléctrico en el interior de la caja de bornes del motor está dañado	Restablecer la conexión *
	Un cable eléctrico en el interior del cuadro está dañado	Restablecer la conexión *
	El interruptor de marcha no funciona	Sustituir el interruptor *
No llega agua de refrigeración a la hoja	Falta agua en el recipiente	Restablecer el nivel de agua
	Filtro de la bomba obturado	Limpiar el filtro de la bomba
	No llega corriente a la bomba	Verificar la alimentación eléctrica de la bomba *
	Bomba dañada	Sustituir la bomba *
La hoja no corta	Hoja montada al contrario respecto al sentido de rotación	Desmontar la hoja y volver a colocarla en el sentido indicado en la etiqueta de la hoja
	Hoja deteriorada	Sustituir la hoja
* Esta operación debe ser realizada por un técnico electricista		

Go to Discount-Equipment.com to order your parts

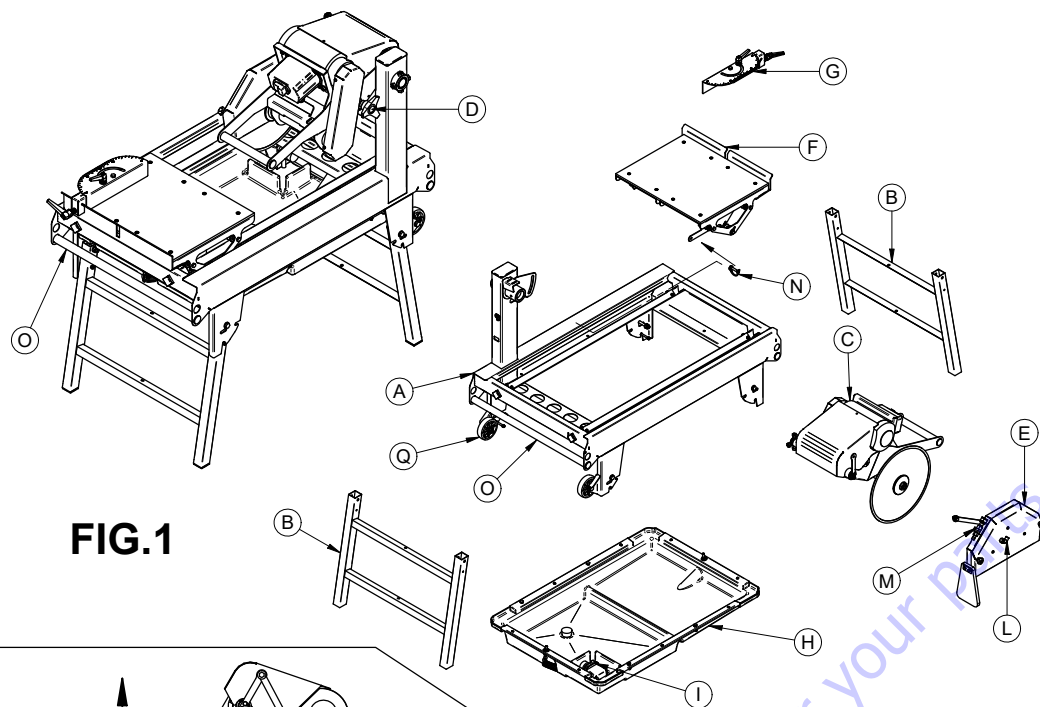
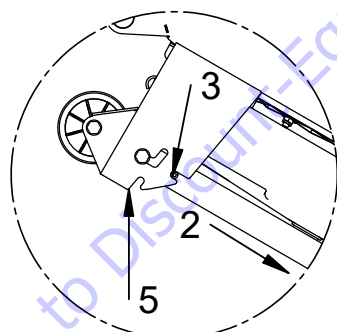
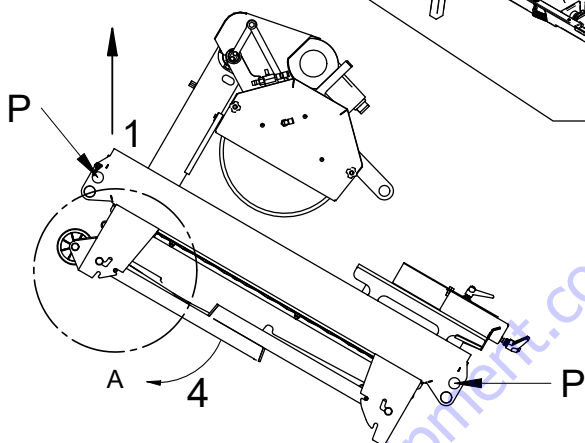


FIG.1



DETTAGLIO A

FIG.2

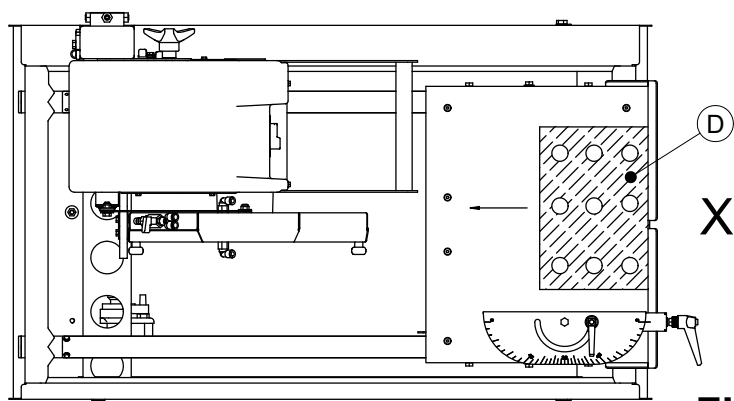
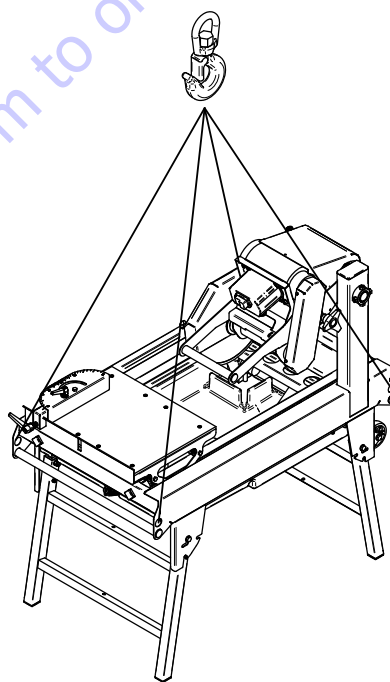
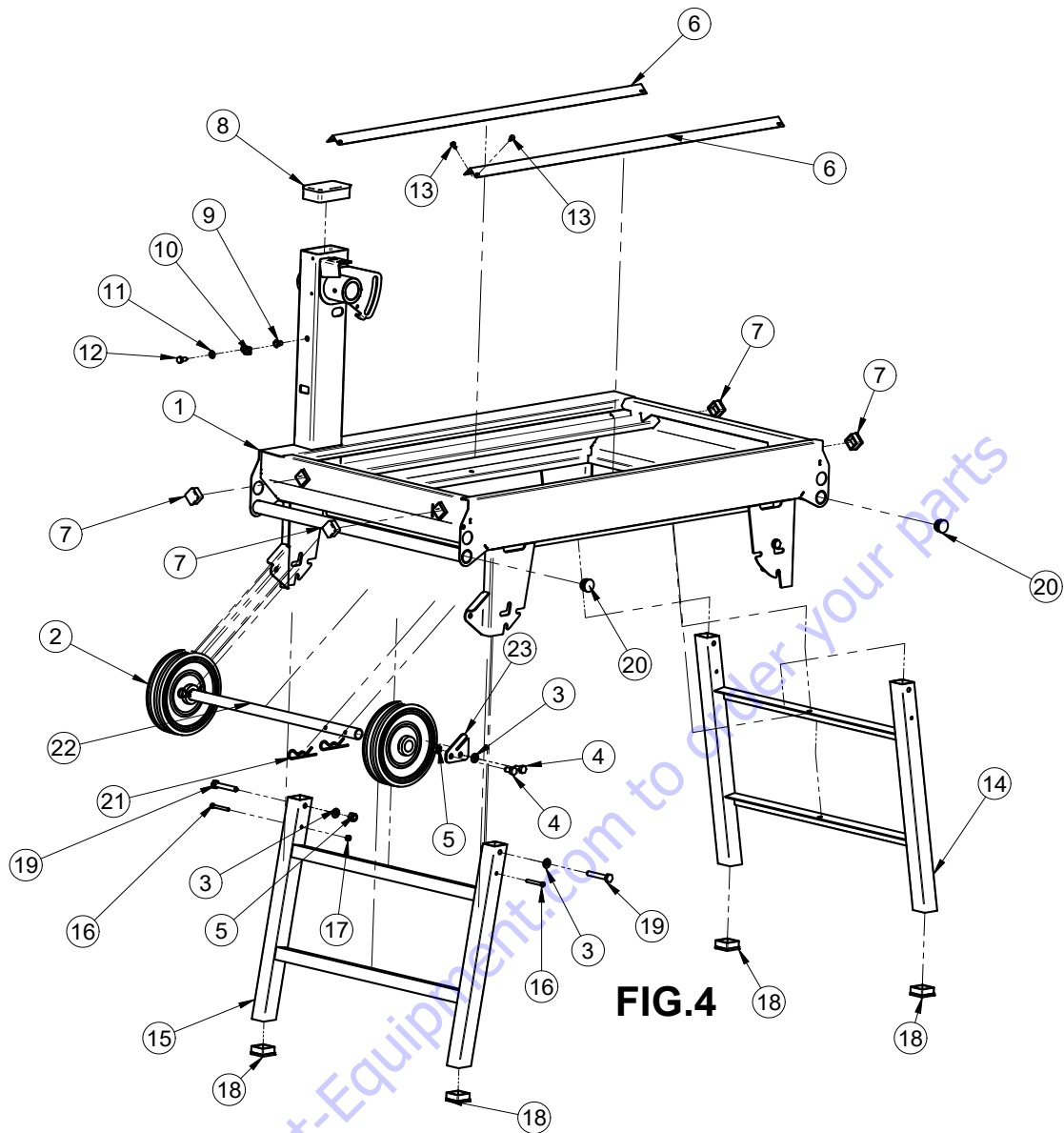


FIG.3



REF. 3



TAV. 4 - STRUCTURE MACHINE - ESTRUCTURA DE LA MAQUINA				
REF.	CODE	DESCRIPTION		NOTES
1	3236867	FRAME	BASTIDOR	
2	3209809	RUBBER WHEEL	RUEDA	
3	2224340	WASHER	ARANDELA	6592 - 10X21
4	2222077	SCREW	TORNILLO	5737 - M10x20
5	2223920	NUT	TUERCA	7474 - M10
6	3231005	GUIDE	GUÍA	
7	3205943	PLUG	TAPÓN	GPN260 Q30X30
8	3209032	PLUG	TAPÓN	GPN260 R100X60
9	2224005	THREADED INSERT	ELEMENTO ROSCADO	9418 - M8
10	3206312	CLAMP	ABRAZADERA	
11	2224140	WASHER	ARANDELA	6593 - 8X24
12	2222064	SCREW	TORNILLO	5739 - M8X16
13	3206361	SCREW	TORNILLO	8117 - 4,8X13
14	3236865	FRONT LEG	PATA DELANTERA	
15	3236866	REAR LEG	PATA TRASERA	
16	2222547	SCREW	TORNILLO	5931 - M6X50
17	2223924	NUT	TUERCA	7473 - M6
18	2257705	PLUG	TAPÓN	GPN260 Q40X40
19	2222148	SCREW	TORNILLO	5737 - M10X65
20	3208452	PLUG	TAPÓN	GPN 320 GL 30X2
21	2226700	SPLIT PIN	PASADOR	AMA 3.5/72
22	3235350	AXLE	EJE	
23	3235360	PLATE	PLACA	

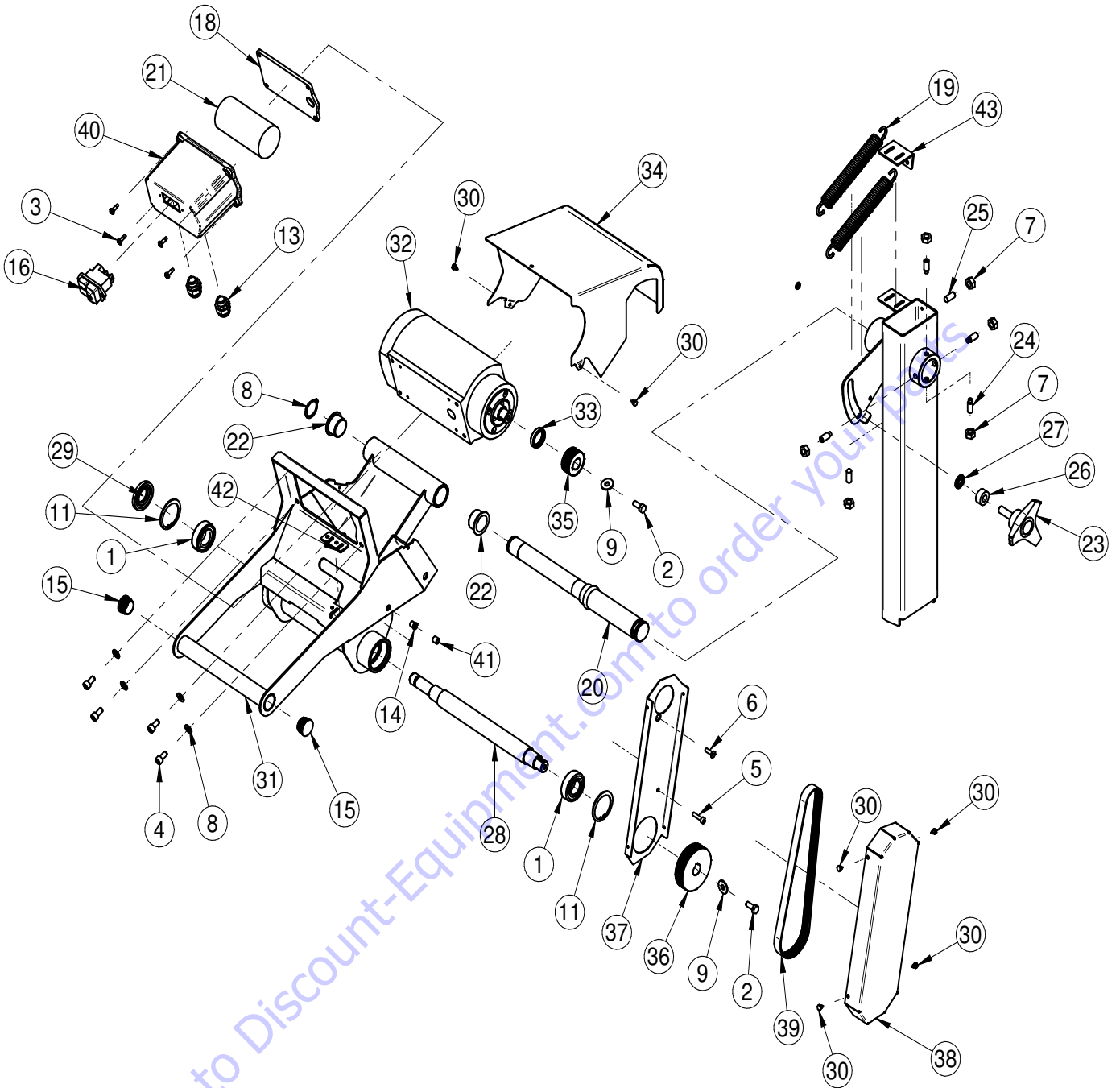


FIG.5

TAV. 5 - ARM ASSEMBLY - GRUPO DEL BRAZO				
REF.	CODE	DESCRIPTION		NOTES
1	2204540	BEARING	COJINETE	6205 2RS
2	2222060	SCREW	TORNILLO	TE M8X20 5739
3	2222465	SCREW	TORNILLO	TRILOB. TC PH M5X15
4	2222515	SCREW	TORNILLO	TCEI M8X16 5931
5	2222541	SCREW	TORNILLO	TCEI M6X25 5931
6	2222607	SCREW	TORNILLO	TSPEI M6X20 5933
7	2223650	NUT	TUERCA	M10 5588
8	2224140	WASHER	ARANDELA	D.8X18 6593
9	2224204	WASHER	ARANDELA	D.8X24 6593
10	2227240	STOP RING	ANILLO DE TOPE	E30 7435
11	2227700	STOP RING	ANILLO DE TOPE	I52 7437
12	2229259	KEY	LLAVE	6X6X14
13	3201216	CABLE CLAMP	PASACABLES	PG 13.5
14	3206163	THREADED INSERT	INSERCIÓN FILETEADA	M6
15	3208452	PLUG	TAPÓN	GPN 320
16	3210233	SWITCH	INTERRUPTOR	
17	3227465	KEY	LLAVE	6X6X16
18	3230972	GASKET	JUNTA	
19	3231742	HEAD SPRING	MUELLE DEL CABEZAL	
20	3231077	PIVOT	PERNO OSCILANTE	
21	3225049	CAPACITOR	CONDENSADOR	
22	3231010	BUSHING	CASQUILLO	GFM-3034-20
23	3231011	HANDWHEEL	POMO	M12X40
24	3231030	GRUBSCREW	TORNILLO PRISIONERO ROSCADO	D.10X25 5925
25	3231031	GRUBSCREW	TORNILLO PRISIONERO ROSCADO	D.10X25 5927
26	3231076	SPACER	DISTANCIADOR	
27	3231210	SAFETY WASHER	ARANDELA DE SEGURIDAD	D.12X24
28	3231350	BLADE SHAFT	EJE DISCO	
29	3231351	OIL RETAINER	RETÉN DE ACEITE	52X25X8
30	3231352	SCREW	TORNILLO	AUTOF. TE D.4.8X9,5 6950
31	3237359	ARM	BRAZO	
32	3231359	ELECTRIC MOTOR	MOTOR ELÉCTRICO	
33	3233082	OIL RETAINER	RETÉN DE ACEITE	25X35X7
34	3237356	GUARD	CÁRTER	
35	3231361	PULLEY	POLEA	
36	3231362	PULLEY	POLEA	
37	3237357	GUARD	CÁRTER	
38	3237358	GUARD	CÁRTER	
39	3231365	BELT	CORREA	
40	3231367	ELECTRICAL ENCLOSURE	CAJA ELÉCTRICA	
41	3231368	SPACER	DISTANCIADOR	
42	3237190	INF PLATE	PLACA INF	
43	3237188	SUP PLATE	PLACA SUP	

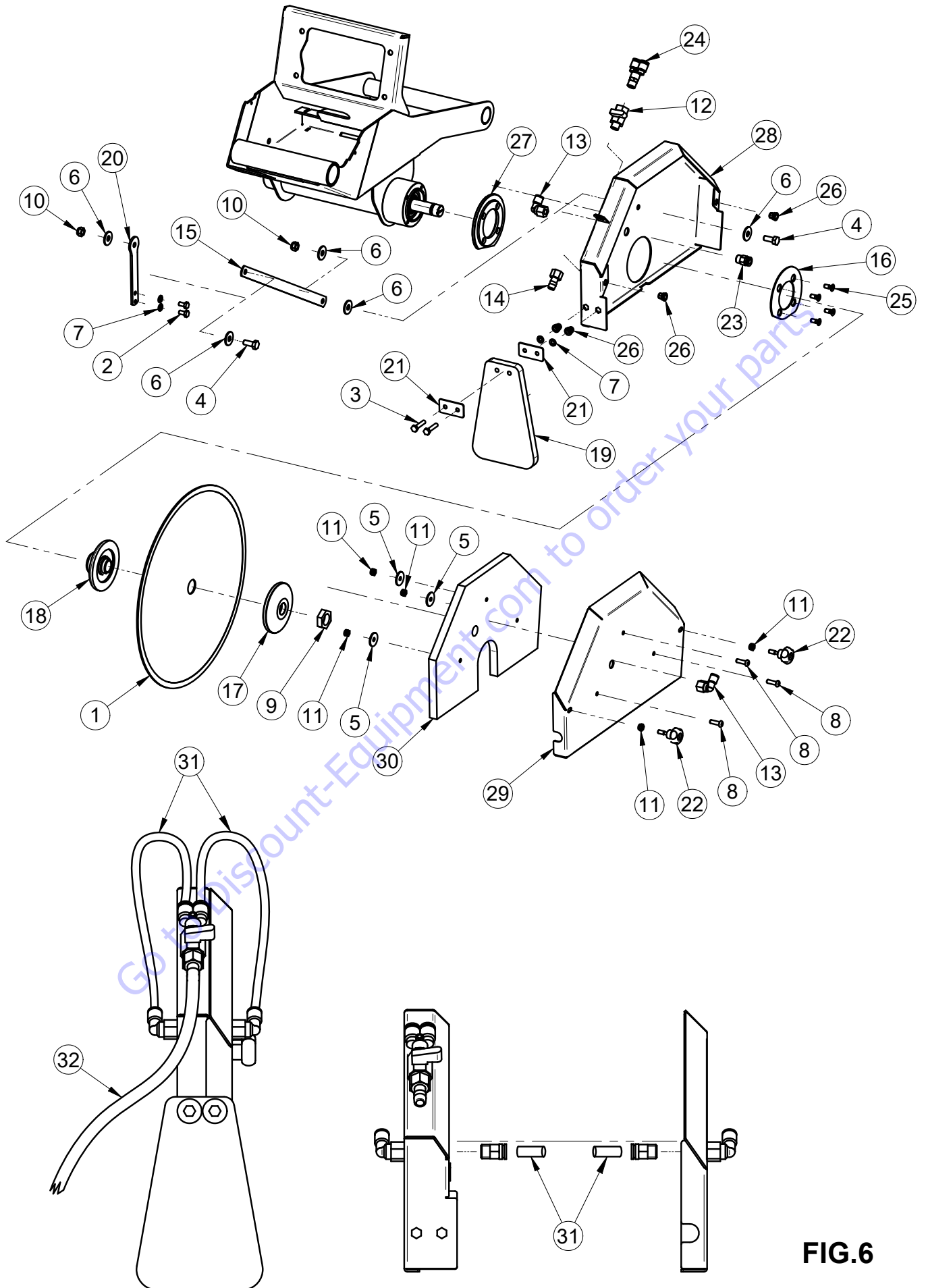


FIG.6



TAV.6 - DISC GUARD AND MOTOR ASSEMBLY - MONTAJE MOTOR CÁRTER DISCO				
REF.	CODE	DESCRIPTION		NOTES
1	1193899	ARM	DISCO	
2	1222004	SCREW	TORNILLO	TE M6X12 5739
3	2222022	SCREW	TORNILLO	TE M6X30 5739
4	2222060	SCREW	TORNILLO	TE M8X20 5739
5	2224049	WASHER	ARANDELA	D.6x24 6593
6	2224204	WASHER	ARANDELA	D.8X24 6593
7	2224530	WASHER	ARANDELA	D.6X12,5 6592
8	3206223	SCREW	TORNILLO	TBEI M6X20
9	3208541	NUT	TUERCA	M20X1,5 SX 5589
10	3210623	NUT	TUERCA	M8
11	3211470	NUT	TUERCA	M6 7474
12	3224206	BALL VALVE	VÁLVULA DE ESFERA	1/4" M/F
13	3224366	AIR CONNECTOR	EMPALME DEL AIRE	90° INN. RAPID. 1/4" F.
14	3228674	PIPE HOLDER	FIJACIÓN DE MANGUERA	1/4"X12 F
15	3230946	BRACKET	SOPORTE	
16	3230947	RETAINER RING	ANILLO DE FIJACIÓN	
17	3230964	OUTER FLANGE	BRIDA EXTERNA	
18	3230965	INNER FLANGE	BRIDA INTERNA	
19	3230975	SPLASH GUARD	PROTECCIÓN CONTRA SALPICADURAS	
20	3230988	BRACKET MOUNT	SOPORTE	
21	3231004	SPLASH GUARD PLATE	PLACA CONTRA SALPICADURAS	
22	3231012	HANDWHEEL	POMO	M6 FILETTO SCAR.
23	3231014	AIR CONNECTOR	EMPALME DEL AIRE	INN. RAPID. 1/4" M
24	3231015	AIR CONNECTOR	EMPALME DEL AIRE	INN. RAPID. 1/4" M
25	3231162	SCREW	TORNILLO	TSPEI M6X16 5933
26	3231185	THREADED INSERT	INSERCIÓN FILETEADA	M6
27	3231366	FLANGE	BRIDA	
28	3237360	DISC GUARD	CÁRTER DEL DISCO	
29	3237361	DISC GUARD COVER	TAPA DEL CÁRTER DEL DISCO	
30	3231373	SOUND-ABSORBENT PANEL	PANEL FONOAORSORBENTE	
31	1272701	HOSE DIA.	TUBO	D.6X8
32	3227803	WATER HOSE DIA.	TUBO DE AGUA	D.10X14

Go to Discount-Equipment.com to order your parts

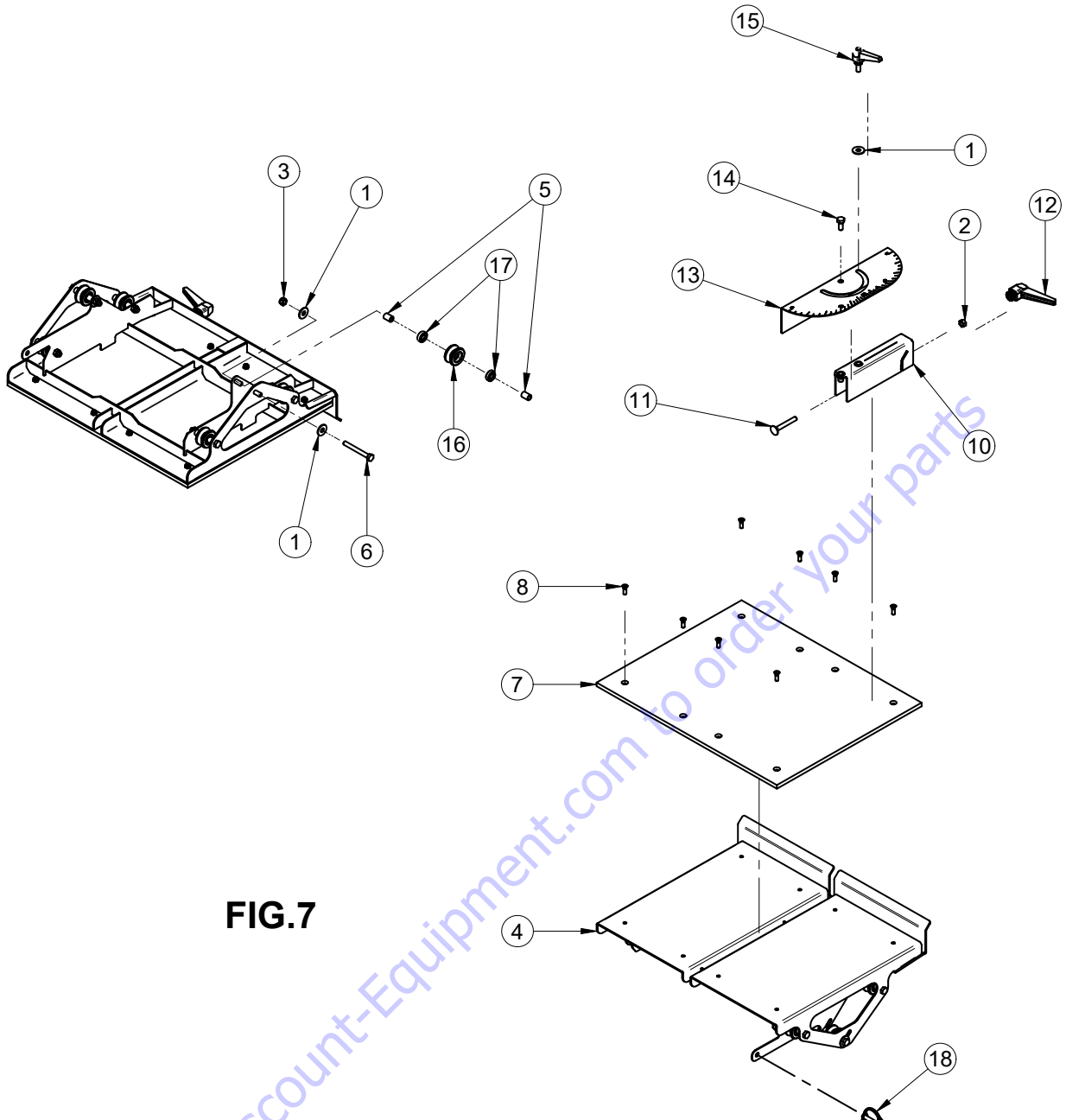


FIG. 7

TAV. 7 - CARRIAGE - CARRO				
REF.	CODE	DESCRIPTION		NOTES
1	2224204	WASHER	ARANDELA	6593 Ø 8X24
2	2223570	NUT	TUERCA	M8
3	3210623	NUT	TUERCA	M8
4	3236863	CARRIAGE	CARRO	
5	3231075	SPACER	DISTANCIADOR	
6	2222091	SCREW	TORNILLO	TE 5737 M8x70
7	3230990	WOODEN TABLE	MESA DE MADERA	
8	3214965	SCREW	TORNILLO	TSPEI 5933 M6X20
10	3231211	GONIOMETER MOUNT	SOPORTE DEL GONIÓMETRO	
11	3231183	SCREW	TORNILLO	TTCQ M8X60
12	3231007	LEVER	PALANCA DE RESORTE	M8 F.
13	3230971	GONIOMETER	GONIÓMETRO	
14	3234670	PIN	MANGUITO	M8X20
15	3208414	LEVER	PALANCA DE RESORTE	M8X20 M.
16	3207397	WHEEL	RUEDA	
17	3204945	BEARING	COJINETE	608 2RS1
18	3239800	PIN	MANGUITO	

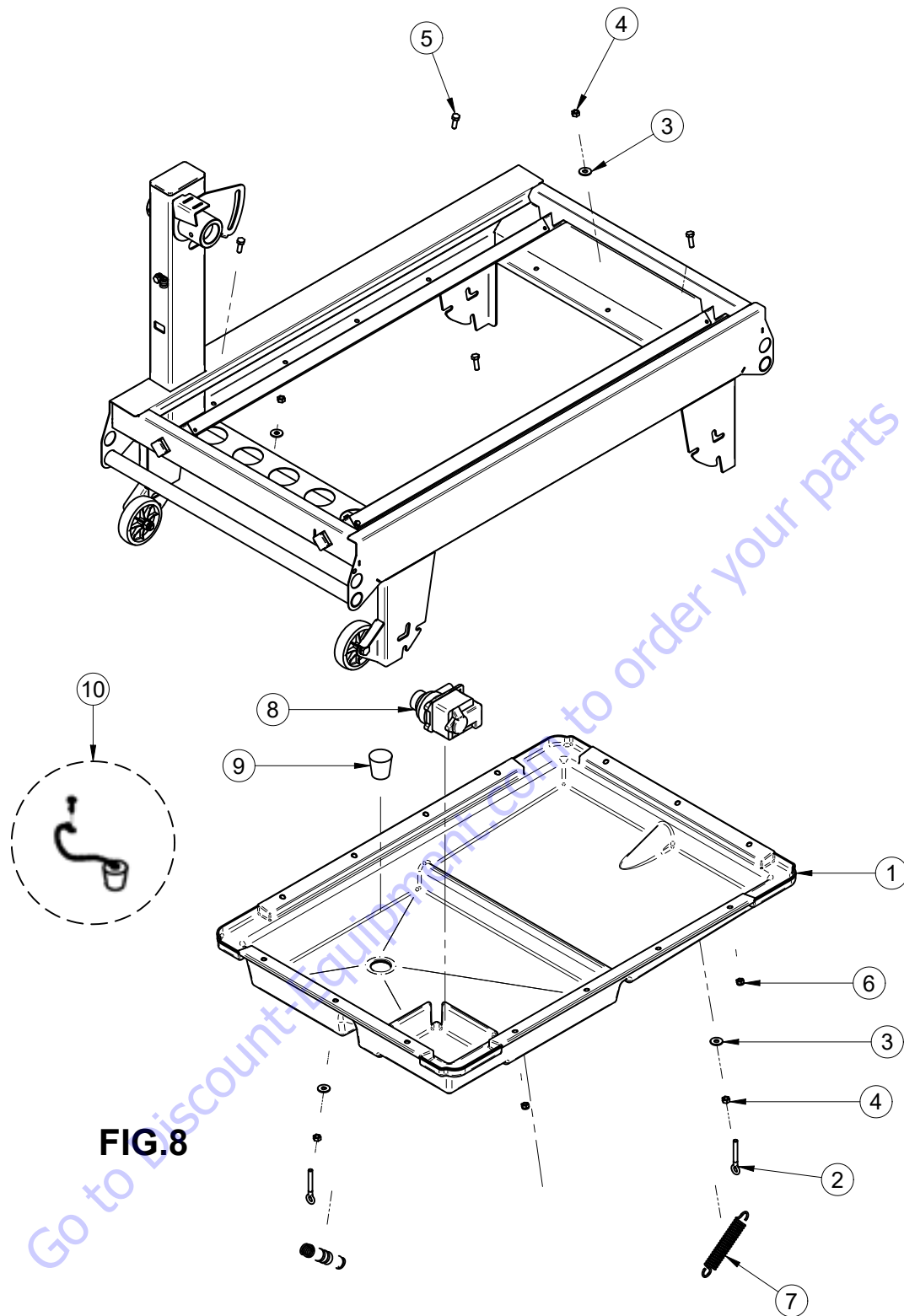
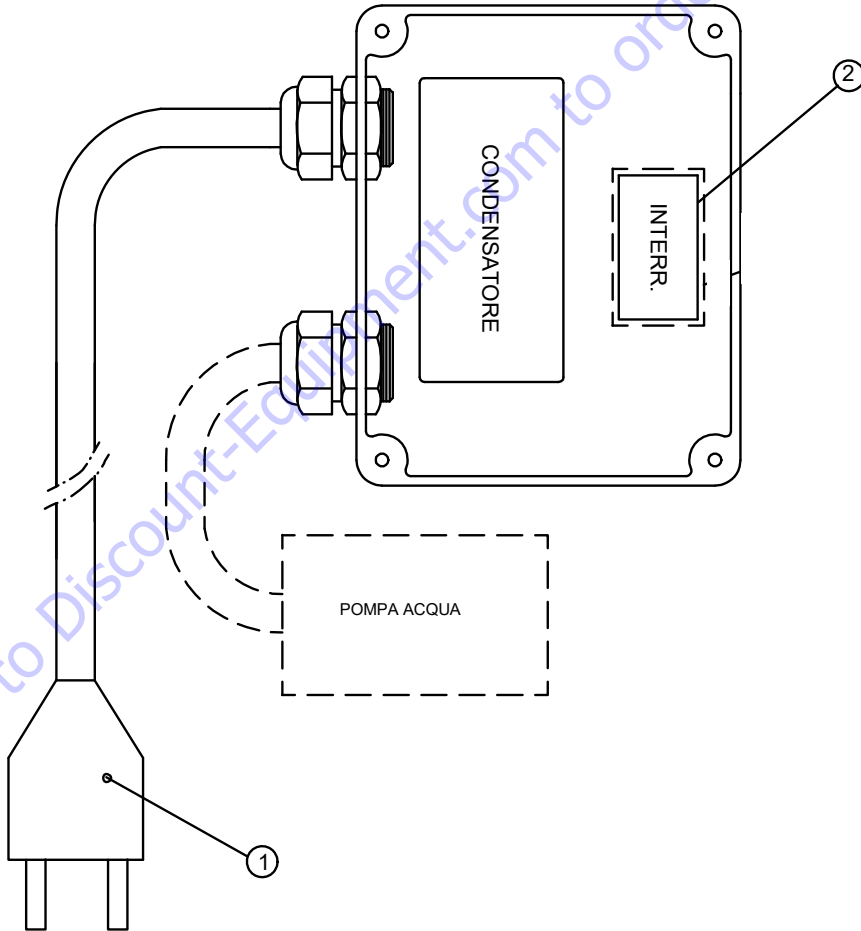
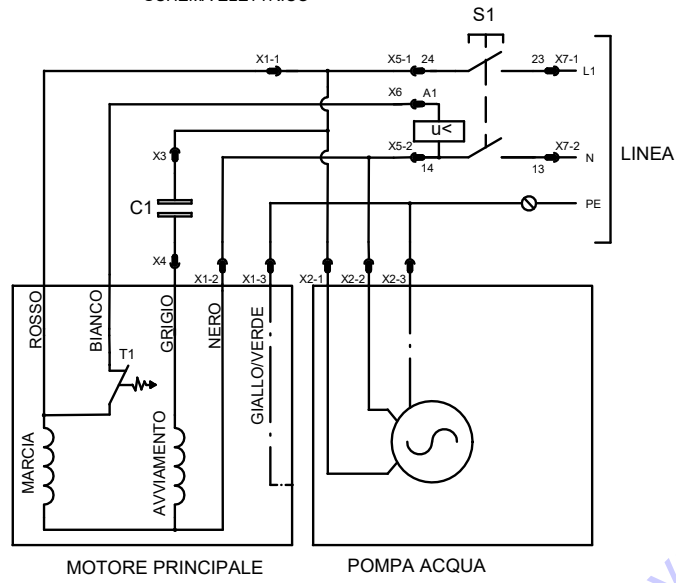


FIG.8

TAV. 8 - TANK ASSEMBLY - GRUPO DEL DEPÓSITO				
REF.	CODE	DESCRIPTION		NOTES
1	3231003	TANK	DEPÓSITO	
2	3231034	TIE-ROD	TIRANTE	
3	2224204	WASHER	ARANDELA	6593 - Ø 8X24
4	2223570	NUT	TUERCA	M8
5	2222076	SCREW	TORNILLO	TE 5739 M8X25
6	3210623	NUT	TUERCA	M8
7	3230973	LEG SPRING	MUELLE DE LAS PATAS	
8	3231176	WATER PUMP	BOMBA DE AGUA	
9	3231018	PLUG	TAPÓN	
10	3231093	COMPLETE PLUG	TAPÓN COMPLETO	

SCHEMA ELETTRICO



WIRING DIAGRAM - ESQUEMA ELÉCTRICO				
REF.	CODE	DESCRIPTION		NOTES
1		PLUG 2P+GND	CLAVIJA 2P+T	2P+T IP67 16A 115V
2	3210233	SWITCH	INTERRUPTOR	115V

TO PURCHASE THIS PRODUCT PLEASE CONTACT US



**Equipment Financing and
Extended Warranties Available**



**Discount-Equipment.com is your online resource for
commercial and industrial quality parts and equipment sales.**

561-964-4949

visit us on line @ www.discount-equipment.com

Select an option below to find your Equipment

Search by Manufacturer

Search by Product Type

Request a Quote

We sell worldwide for the brands: Genie, Terex, JLG, MultiQuip, Mikasa, Essick, Whiteman, Mayco, Toro Stone, Diamond Products, Generac Magnum, Airman, Haulotte, Barreto, Power Blanket, Nifty Lift, Atlas Copco, Chicago Pneumatic, Allmand, Miller Curber, Skyjack, Lull, Skytrak, Tsurumi, Husquvarna Target, Stow, Wacker, Sakai, Mi-T-M, Sullair, Basic, Dynapac, MBW, Weber, Bartell, Bennar Newman, Haulotte, Ditch Runner, Menegotti, Morrison, Contec, Buddy, Crown, Edco, Wyco, Bomag, Laymor, EZ Trench, Bil-Jax, F.S. Curtis, Gehl Pavers, Heli, Honda, ICS/PowerGrit, IHI, Partner, Imer, Clipper, MMD, Koshin, Rice, CH&E, General Equipment, Amida, Coleman, NAC, Gradall, Square Shooter, Kent, Stanley, Tamco, Toku, Hatz, Kohler, Robin, Wisconsin, Northrock, Oztec, Toker TK, Rol-Air, APT, Wylie, Ingersoll Rand / Doosan, Innovatech, Con X, Ammann, Mecalac, Makinex, Smith Surface Prep, Small Line, Wanco, Yanmar



IMER U.S.A. inc.

EQUIPMENT WARRANTY

IMER U.S.A. INC.

We warrant to the original purchaser that the IMER equipment described herein (the "equipment") shall be free from defects in material and workmanship under normal use and service for which it was intended and designed for period of one (1) year from the date of purchase by the original purchaser.

Our obligation under this warranty is expressly limited to replacing or repairing, free of charge, F. O.B. our designated service facility, such part of the equipment as our inspection shall disclose to be defective. Parts such as engines, motors, pumps, valves, electric motors, etc. furnished by us, but not manufactured by us, will carry only the warranty of the manufacturer. Transportation charges or duties shall be borne by purchaser. This shall be the limit of our liability with respect to the quality of the equipment.

This warranty shall not apply to any equipment, or parts thereof, which has been damaged by reason of accident, negligence, unreasonable use, faulty repairs, or which has not been maintained and operated in accordance with our printed instructions for the equipment. Further, this warranty is void if the equipment, or any of its components, is altered or modified in any way.

THIS WARRANTY IS EXPRESSLY IN LIEU OF ALL OTHER WARRANTIES, EXPRESSED OR IMPLIED, INCLUDING ANY IMPLIED WARRANTY OF MERCHANTABILITY OR FITNESS FOR A PARTICULAR PURPOSE.

We make no other warranty, representation or guarantee, nor is anyone authorized to make one on our behalf. We shall not be liable for consequential damage of any kind, including loss or damage resulting, directly or indirectly, from the use or loss of use of the machine. Without limiting the generality of the foregoing, this exclusion from liability embraces the purchaser's expenses for downtime, damages for which the purchaser may be liable to other person, damages to property, and injury or death of any persons.

This warranty shall not be deemed to cover maintenance parts, including but not limited to blades, belts, hoses, hydraulic oil, or filters, for which we shall have no responsibility or liability whatsoever.



www.Discount-Equipment.com