

TO PURCHASE THIS PRODUCT PLEASE CONTACT US



**Equipment Financing and
Extended Warranties Available**



**Discount-Equipment.com is your online resource for
commercial and industrial quality parts and equipment sales.**

561-964-4949

visit us on line @ www.discount-equipment.com

Select an option below to find your Equipment

Search by Manufacturer

Search by Product Type

Request a Quote

We sell worldwide for the brands: Genie, Terex, JLG, MultiQuip, Mikasa, Essick, Whiteman, Mayco, Toro Stone, Diamond Products, Generac Magnum, Airman, Haulotte, Barreto, Power Blanket, Nifty Lift, Atlas Copco, Chicago Pneumatic, Allmand, Miller Curber, Skyjack, Lull, Skytrak, Tsurumi, Husquvarna Target, Stow, Wacker, Sakai, Mi-T-M, Sullair, Basic, Dynapac, MBW, Weber, Bartell, Bennar Newman, Haulotte, Ditch Runner, Menegotti, Morrison, Contec, Buddy, Crown, Edco, Wyco, Bomag, Laymor, EZ Trench, Bil-Jax, F.S. Curtis, Gehl Pavers, Heli, Honda, ICS/PowerGrit, IHI, Partner, Imer, Clipper, MMD, Koshin, Rice, CH&E, General Equipment, Amida, Coleman, NAC, Gradall, Square Shooter, Kent, Stanley, Tamco, Toku, Hatz, Kohler, Robin, Wisconsin, Northrock, Oztec, Toker TK, Rol-Air, APT, Wylie, Ingersoll Rand / Doosan, Innovatech, Con X, Ammann, Mecalac, Makinex, Smith Surface Prep, Small Line, Wanco, Yanmar

S/N:

***Thank you for purchasing a machine from an IMER U.S.A. dealer.
Your decision is an intelligent one.
No other mixer in the world today offers the features and value of the our machne.***

- * After the initial set-up the Mixer can be knocked down or reassembled in just minutes.
- * Direct drive of the paddle, efficient and safe.
- * Compact, the clever design allows the **machine** to fit into the trunk or hatchback area of almost all cars and trucks.
- * Finish, the high quality of paint and construction components ensure a piece of equipment that you will be proud to own for years.

*At IMER U.S.A. we continually search for ways to better serve our customers. Should you have an idea or thought to share with us regarding this Product we would appreciate hearing from you. Our motto is **"Tools and Services for the 21st Century"**. We look forward to delivering the goods.*

Thank you again for your purchase,

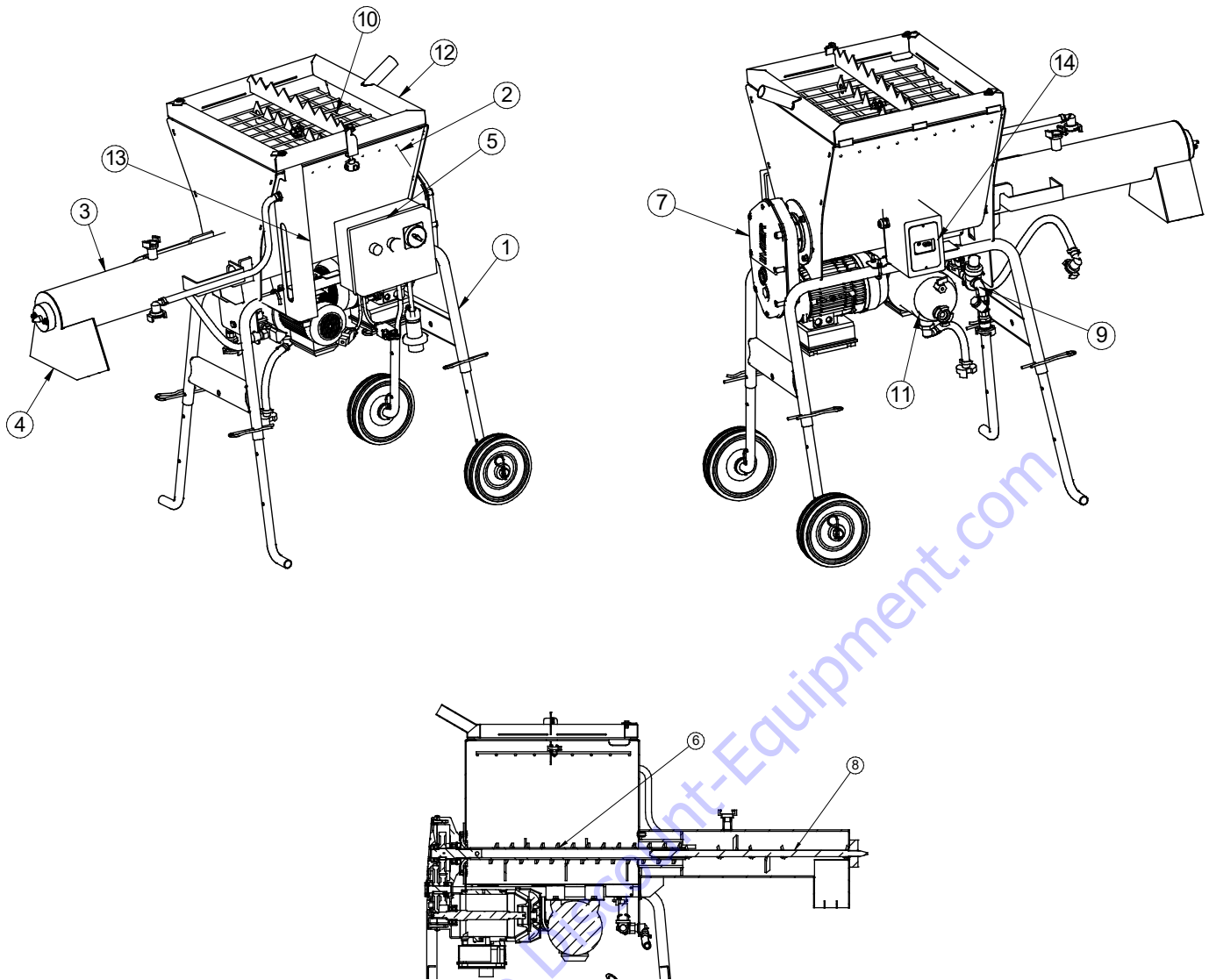


FIG.1

ENGLISH

- (1) WHEELED FRAME
- (2) HOPPER
- (3) MIXING CHAMBER
- (4) MATERIAL OFFLOAD PORT
- (5) ELECTRICAL PANEL
- (6) AUGER TYPE BATCHING SYSTEM
- (7) GEARMOTOR
- (8) MIXER
- (9) WATER CIRCUIT
- (10) HOPPER GRID
- (11) WATER PUMP
- (12) I DUST GRID
- (13) FLOW METER
- (14) PUMP ELECTRICAL PANEL

Special attention must be given to warnings with this symbol:





GB		SPIN 15A
TECHNICAL DATA		
Machine code	1106340 - 115V 60Hz	
MAIN POWER SUPPLY	V Hz	115 60
WATER CONNECTION		1/2"
GEARMOTOR	kW	1.4
WATER PUMP	kW	0.45
MAXIMUM PRESSURE	bar	2.0
MAXIMUM POWER	kW	7.75
MATERIAL FLOW RATE (APPROX.)	l/min	15
DIMENSIONS		
X	mm	1380
Y	mm	720
Z	mm	1165-1095-950
LOADING HEIGHT	mm	1165-1095-950
HOPPER CAPACITY	l	60
WEIGHT	kg	78
WITH WATER PUMP	kg	85
NOISE EMISSION LEVEL LPA A 1M - LWA - EN ISO 3744 (2000/14/EC)	dB(A)	<76 88

To order go to Discount-Equipment.com

Dear Customer,
 compliments on your purchase: this IMER mixer, the result of long-standing experience in the field, features maximum reliability and innovative technical solutions.

- **WORKING IN SAFETY.**

To ensure complete safety, read all the instructions in this manual carefully.

This OPERATION AND MAINTENANCE manual must be kept by the Site Manager and be always available for consultation. The manual is considered part of the machine and must be stored for future reference (EN ISO 12100) through to scrapping of the machine itself. If the manual is lost or damaged, a replacement copy can be ordered from the manufacturer.

The manual contains important information on construction site procedures, installation, operation, maintenance and requests for spare parts. Nevertheless, the user must both have adequate experience and knowledge of the machine prior to use: the user should be trained by a person totally familiar with the operation and use of this machine.

To guarantee complete safety of the operator, safe operation and long life of equipment, follow the instructions in this manual carefully, and observe all safety standards currently in force for the prevention of accidents at work (use of safety footwear and suitable clothing, helmets, gloves, goggles etc.).

- **Make sure that all signs are legible.**

- **It is strictly forbidden to carry out any form of modification to the steel structure or working parts of the mixer.** IMER INTERNATIONAL accepts no responsibility in the event of damage or defects on machinery or equipment not supplied by IMER and used in combination with IMER machinery. IMER INTERNATIONAL accepts no responsibility in the event of failure to comply with laws governing the use of this type of equipment, with particular reference to: improper use, incorrect power supply, lack of maintenance, unauthorised modifications, failure to comply, either wholly or partially, with the instructions set out in this manual.

IMER INTERNATIONAL reserves the right to modify the characteristics of the mixer and/or contents of this manual, without the obligation to update the previous machine and/or manuals.

1. TECHNICAL DATA

Table 1 provides the technical specifications of the mixer, with reference to figure 1

2. NOISE EMISSION LEVEL

Table 1 shows the sound pressure levels of the mixer measured at the ear of the operator (L_{PA} at 1 m) and noise emission levels in the environment (power L_{WA}) measured according to EN ISO 3744 (2000/14/CE)

3. DESCRIPTION OF MIXER OPERATION

- **THE CONTINUOUS HORIZONTAL MIXER is designed for use in building sites, for mixing and pumping all mixed mortars declared as compatible with this type of machine by the material manufacturers: brickwork plasters, mortars for semi-dry tiles, cement mixes, lime/cement based plasters, grouting mortar etc**

3.1 DESCRIPTION OF MIXER (see fig.1)

The mixer comprises a wheeled frame (ref.1), which supports a hopper (ref.2), a mixing chamber (ref.3), a water circuit (ref.9), an electrical panel (ref.5).

There is a version of horizontal mixer with the water pump already assembled (ref. 11).

The pre-mixed dry material is poured in to the hopper (using sacks or by means of other equipment), which houses an auger batching system (ref.6), activated by a gearmotor (rif.7), which moves the auger, transferring the material into the mixing chamber. This chamber is fitted with a mixer (ref.8), which connected to the auger, mixes the material with water delivered directly to the chamber by the water pump and via the water circuit.

The mixed material is then conveyed to the discharge outlet (ref.4), ready to use and collected in crates, wheelbarrows, buckets etc. and then applied manually where required.

4. OPERATION SAFETY

- **Before using the mixer, ensure that it is fitted with all safety devices.**

- **Never insert parts of the body and/or tools in the hopper or discharge outlet during operation.**

- **Always use the mixer in sufficiently ventilated environments.**

All current standards governing accident prevention and safety devices must be observed in the workplace.

Take care when handling sacks of material to avoid dispersion of dust with inhalation of the latter; if this is not possible, masks must be worn to protect the mouth and nose.

- **Never use the machine in areas subject to the risk of explosion/fires or in underground installations.**

The mixer is not equipped with a lighting system and therefore the workplace must be fitted with adequate lighting.

The power lines must be laid to prevent any possible damage. Never place the mixer on electric power cables.

Ensure that the electrical connection is protected against the risk of water penetration in connectors. Use exclusively connectors and couplings equipped with water spray protection.

- Never use inadequate or provisional electric lines: if in doubt consult specialist personnel for assistance.

- Repairs to the electrical circuit must be performed exclusively by specialised personnel. Disconnect the machine from the power supply before performing maintenance or repairs.

- Avoid contact of electric wires with movable and/or moving parts of the machine. to avoid injury from contact with live metal parts.

-CAUTION!

Keep the hands away from the outlet.



5. ELECTRIC SAFETY

The SPIN15 mixer is constructed according to standard EN 60204-1, with protection against water sprays and protection against overload and power failure.

The mixer must be connected to the earthing circuit.

To facilitate transport, the machine can be disassembled as shown in fig.4.

6. MECHANICAL SAFETY (see fig.1)

The hazardous points on the IMER mixer are protected by means of suitable safety devices, which must remain fitted at all times and kept in perfect condition. For example, this includes the electric motor cooling fan guard and the hopper grid (ref. 10) to prevent contact with the auger.

Also, release of the mixing chamber, shuts down all rotary parts of the machine immediately thanks to a specific safety device.

7. TRANSPORT (see fig.2 and fig.3)

- **CAUTION! Before moving the mixer, always detach the power plug.**

Before moving the mixer, disconnect the water supply hose.

Only a minimal amount of the material should be in the hopper when handling.

Lift the mixer by means of the relative handles (fig.2) and push in the required direction.

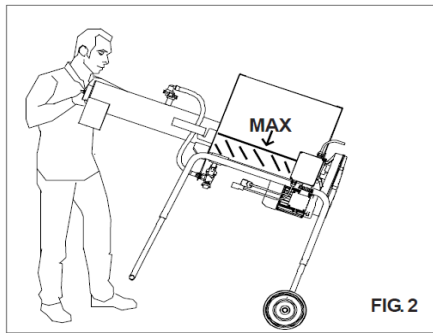


FIG. 2

-CAUTION! Before lifting the mixer, always check that all machine components are correctly secured and fitted in place and no objects have been left on the surface

- CAUTION! Lift with care to avoid hazardous oscillations

- CAUTION! Never use points other than as specified in figure 3 to lift the machine

To lift the machine, use the four specific attachment rings (fig.3).

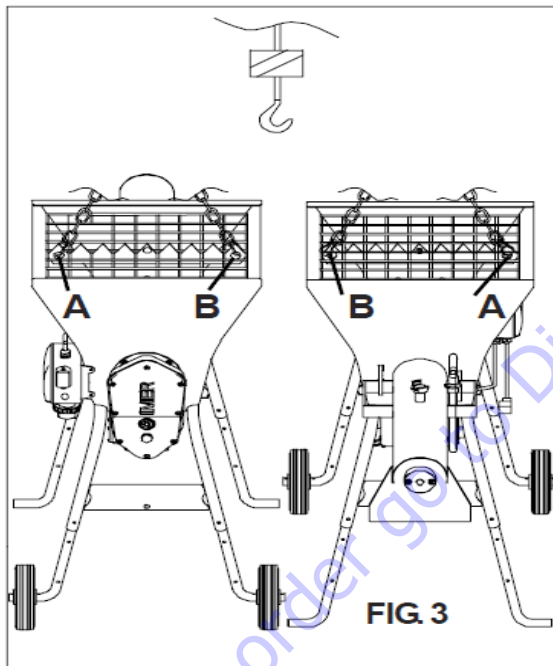


FIG. 3

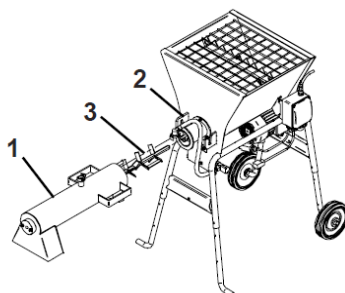


FIG. 4

8. INSTALLATION

Position the mixer on a flat surface in a suitably ventilated environment where it does not constitute an obstruction either during use or cleaning at the end of the work shift.

- Position the mixer on a flat surface or slightly inclined towards the material outlet.

9. CONNECTIONS

9.1 ELECTRICAL CONNECTION (see fig.5)

! - Ensure that the power supply voltage, mains frequency and electrical connection (socket, fuses, cable) correspond to specifications in table 1.

The electrical power socket must be fitted with protection against current overload (e.g. by means of fuses or a thermal magnetic cut-out) and against dispersion current to earth (e.g. with a differential circuit breaker). The electric cable wire size must take into account the operating currents and length of the line to avoid excessive voltage drops.

Avoid use of extension leads wound on drums. The power cable must be suitable for frequent movements and with an abrasion resistant sheath

(e.g. type H07RN-F).

Before connecting the mixer to the electrical mains, ensure that all safety devices are fitted and are in perfect condition, and check in particular that the hopper grid is secured in place, that the extension is in good condition and that the plugs and sockets are not wet. Connect the mixer socket on the electrical panel to the mains (fig.5).

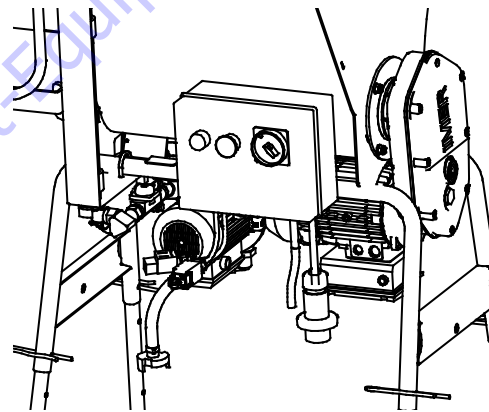


fig.5

9.2 WATER CONNECTION (see fig. 1)

Connect the water hose (table 1) to the water mains.

With horizontal mixer without water pump, the water mains must guarantee a minimum flow rate of 20 l/min and a minimum pressure of 2 bar.

-perform air purge through appropriate valve before each start

-With a water pump mixer if the pump is not fed by water, the sealing gasket burns

- the maximum water pressure must not exceed 5 bar

10. LOADING HEIGHTS (SEE FIG 6):

The SPIN15 continuous mixer can be operated at three different heights.

The feet can slide within the frame before being locked in position with the split pins at set heights, to enable three different loading heights:

- 1) Direct loading of material into SMALL50 type plaster mixer;
- 2) Direct loading of material onto trolley;
- 3) Direct loading of materials into work bucket.

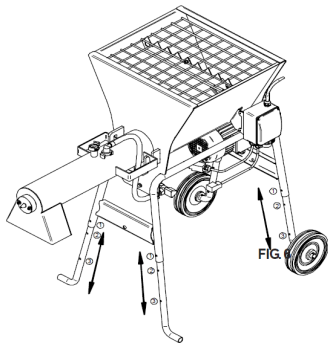


FIG. 6

11. START-UP

- During work start and stop the mixer exclusively by means of the ON/OFF buttons.

- Load the pre-mixed dry material. Take the bags of material and place them securely on the bag splitter grid (ref.10,fig.1), lift the two end corners of the bag to completely empty the contents into the hopper (fig.7).

- At this point position a suitable container below the material outlet and start up the mixer by means of the ON/OFF switch. The machine should now be in operation. To obtain the required material consistency: Optimise the quantity of the water delivered by means of the valve, while the mixer is in operation. Make small adjustments of approx. 1/2 turn, every 15 seconds. The machine is fitted with protection against power failure: if this occurs, press the ON button to resume operation. To stop the machine in the event of an emergency, press the red button (OFF); all moving parts are shut down. Then disconnect the plug from the power mains.

THERMAL CUTOUT PROTECTION:

- The electric motor is protected against overload by a thermal cutout, the activation of which is indicated by total shutdown of the machine. In this case, authorised personnel should wait for the motors to cool and restart the unit by means of the ON/OFF switch.

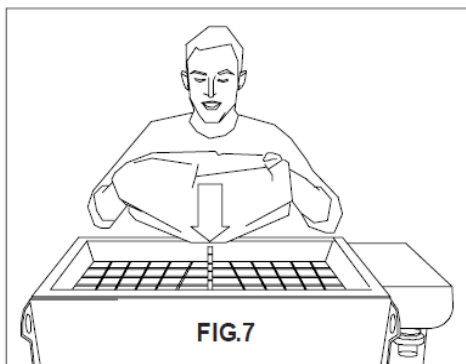
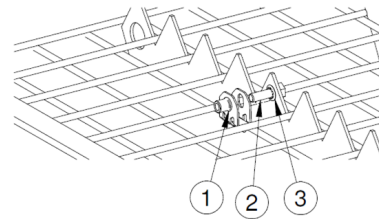


FIG. 7

12. OPERATION

- The hopper safety grid must always be fitted.



The safety grille of the hopper is fixed by tightening the screw (ref. 2) in the grille support (ref. 1) to which the grille is attached. The screw (ref. 2) is held captive by the stop ring (ref. 3), so the grille support (ref.1) remains permanently attached to the grille structure.

- Wear envisaged personal protection devices before starting work.

12.1 Pauses during work

Interruptions exceeding 30 min should be avoided. Prolonged shutdown can cause clogging in the mixing chamber. If no material exits the discharge outlet, this must be cleaned. Stop the machine, proceed as described in para. 14, refit and restart the unit.

13. MIXER CLEANING AND SHUTDOWN (see fig. 4)

At the end of the work shift turn off the machine by means of the ON/OFF switch.

Remove the mixing chamber (ref.1) by turning it to release the relative hooks (ref.2), together with the shaft (ref.3). Empty and clean the mixing chamber and mixer with water and dry both with paper.

Refit the shaft in its seat after ensuring that it is clean, then insert the mixing chamber and hook up correctly.

At this point, on completion of machine cleaning, turn off the main switch, disconnect the power plug, close the water delivery valve, open the auxiliary valve and detach the delivery hose.

Before restarting the machine, ensure that all valves are closed again.

If the machine is not to be used for several days, empty the hopper completely.

- Caution! Before disassembling the mixer or removing the grid, ensure that the main switch is set to OFF and the plug is disconnected from the power supply.

14. MAINTENANCE (see fig. 1)

- Maintenance must be performed by adequately trained personnel, after switching off the machine, disconnecting it from the power supply and emptying the hopper.

Check daily that the water filter (table 2, ref.14) is clean.

Check weekly that the mixer shaft (ref. 8) is in good condition and replace if necessary

Check weekly that the electric motors are free of dust and dirt and if necessary clean using compressed air.

Check weekly that the plug and socket contacts are clean, dry and rust free.

Every six months arrange for an inspection of the machine by an authorised IMER service centre.

- Spent oil is a special waste. Therefore it must be disposed of according to current legislation.

- Always keep notices and symbols on the machine legible

15 SILICA DUST WARNING

Grinding/cutting/drilling of masonry, concrete, metal and other materials with silica in their composition may give off dust or mists containing crystalline silica. Silica is a basic component of sand, quartz, brick clay, granite and numerous other minerals and rocks. Repeated and/or substantial inhalation of airborne crystalline silica can cause serious or fatal respiratory diseases, including silicosis. In addition, California and some other authorities have listed respirable crystalline silica as a substance known to cause cancer. When cutting such materials, always follow respiratory precautions.

Use appropriate NIOSH-approved respiratory protection where dust hazard may occur. Paper masks or surgical masks without a NIOSH approval number are not recommended because they do little to protect the worker. For more information about respirator programs, including what respirators have received NIOSH approval as safe and effective, please visit the NIOSH website at:
<http://www.cdc.gov/niosh/topics/respirators>

Observe OSHA regulations for respirator use (29 C.F.R. § 1910.134). Visit <http://www.osha.gov> for more information.

California proposition 65 message

Some dust created by power sanding, sawing, grinding, drilling, and other construction activities contains chemicals known (to the State of California) to cause cancer, birth defects or other reproductive harm. Some examples of these chemicals are:

- Lead, from lead-based paints
- Crystalline silica, from bricks and cement and other masonry products
- Arsenic and chromium, from chemically treated lumber

For further information, consult the following sources:

- <http://www.osha.gov/dsg/topics/silicacrystalline/index.html>
- <http://www.cdc.gov/niosh/docs/96-112/>
- <http://oehha.ca.gov/prop65/law/P65law72003.html>
- <http://www.dir.ca.gov/Title8/sub4.html>
- <http://www.P65warnings.ca.gov>

Your risk from these exposures varies depending on how often you do this type of work. To reduce your exposure to these chemicals, work in a well-ventilated area, and work with approved safety equipment, such as dust masks that are specially designed to filter out microscopic particles. Where use of a dust extraction device is possible, it should be used. To achieve a high level of dust collection, use an industrial HEPA vacuum cleaner. Observe OSHA 29 CFR part 1926.57 and 1926.103

16. SCRAPPING

The machine must be disposed of according to the current regulations.



The barred bin symbol indicates that at the end of its service life the product must be scrapped separately from other materials.

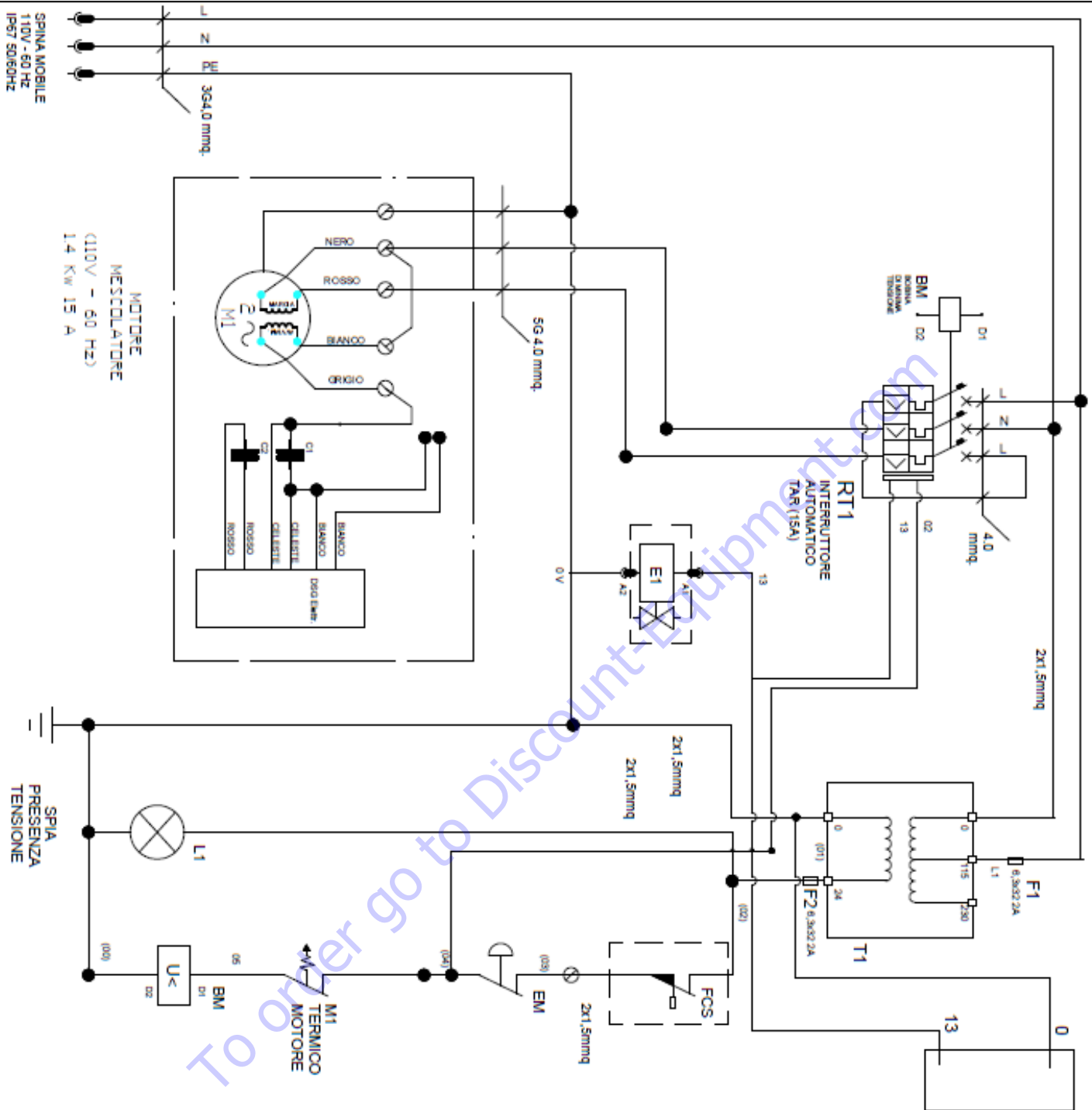
The manufacturer is responsible for separate scrapping of the equipment at the end of its service life. The user must therefore contact the manufacturer and follow the instructions given by the latter for separate scrapping of the equipment at the end of its service life.

Separate scrapping for subsequent recycling, treatment and eco-compatible disposal contributes to avoiding negative effects for the environment and for the health of persons, and promotes the reuse/recycling of the materials of which the equipment is fabricated.

Incorrect/illegal scrapping is punishable by law.

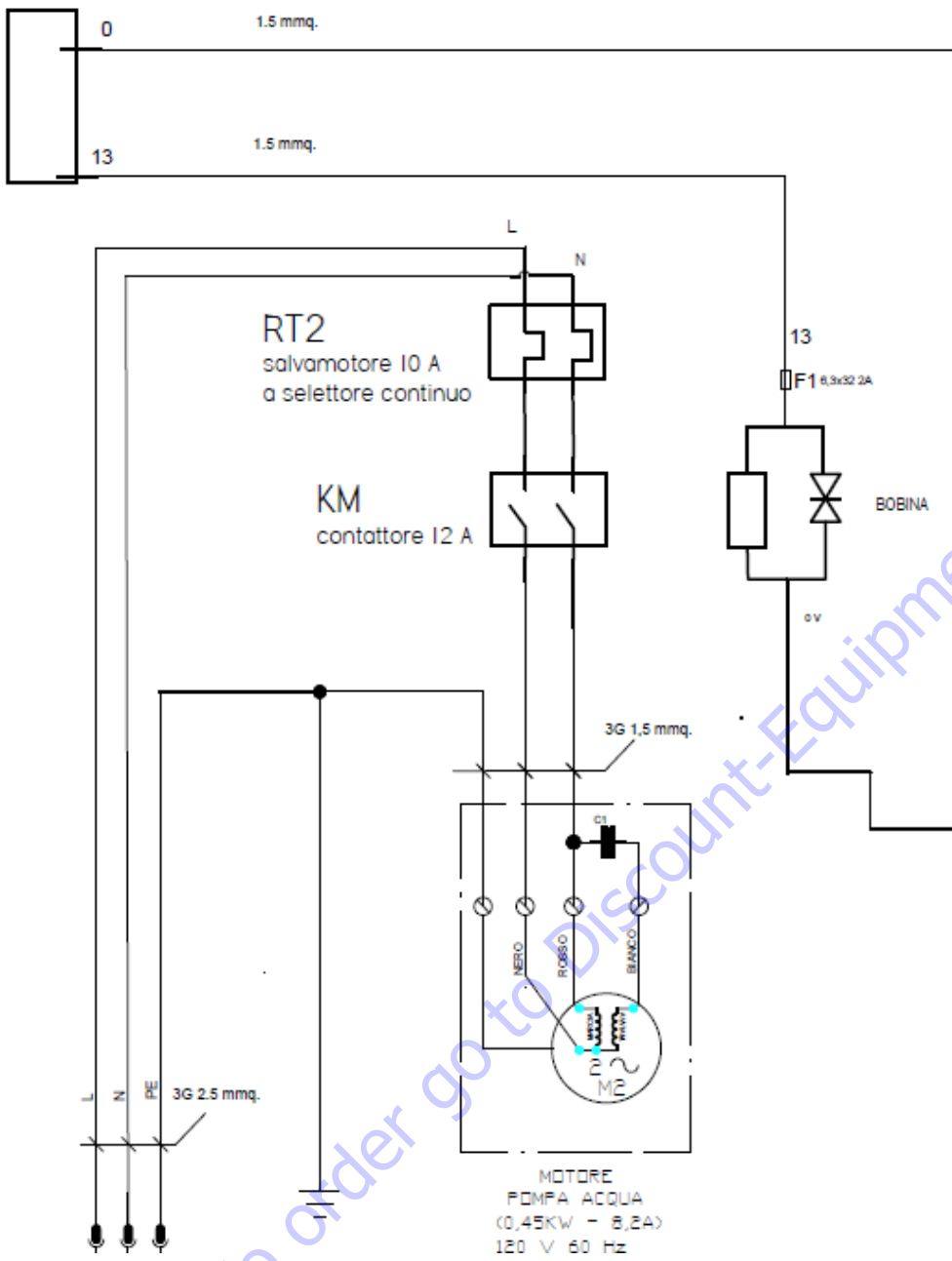
PROBLEMS	CAUSES	CORRECTIVE ACTION
Machine does not start	Electric current <ul style="list-style-type: none"> - No current delivered to connector of site panel (fuses?) - No power delivered to machine (defective connector connection? loose cable?) - Main ON/OFF (thermal cutout) switch not turned on - Mixing chamber open (thermal magnetic switch does not engage) - Emergency pushbutton pressed (release) 	<ul style="list-style-type: none"> - Check points listed alongside
Thermal cutout trips on start-up	Material in hopper <ul style="list-style-type: none"> - Material has hardened in the hopper - The type of material requires more water for mixing 	<ul style="list-style-type: none"> - Completely empty the hopper and restart with new material - Increase the quantity of water delivered
Material consistency not constant; too hard or too fluid	Water supply insufficient <ul style="list-style-type: none"> - Water hose bent - Pump inlet water filter clogged - Pressure reducer water filter clogged - Pressure reducer faulty 	<ul style="list-style-type: none"> - Check points listed alongside
The water continues to exit from the mixing chamber when machine is stationary	Solenoid valve faulty	<ul style="list-style-type: none"> - Contact an authorised IMER service centre
Material does not exit the offload port	Mixing chamber clogged <ul style="list-style-type: none"> - The container used for offload is too high and does not enable the material to flow out - The offload port is clogged 	<ul style="list-style-type: none"> - Check points listed alongside
Mix not optimal	The type of material used is not suitable <ul style="list-style-type: none"> - Not all products on the market can be mixed with this type of high speed mixing system - Mixing shaft worn 	<ul style="list-style-type: none"> - Consult the material manufacturers to check compatibility - Replace shaft

WIRING DIAGRAM -



- T1 - TRANSFORMER 25 VA 0-115-230/0-24V 50/60HZ
- F1 - PRIMARY FUSE 6.3X32 2A
- F2 - SECONDARY FUSE 6.3X32 2A
- EM - EMERGENCY STOP
- RT1 -AUTOMATIC SWITCH
- E1 - WATER ELECTROVALVE 24vca 50/60 hz
- M1 - MOTOR MIXER
- FCS - SAFETY SWITCH
- L1 - CONTROL LIGHT 24 VCA
- C1 - RUN CAPACITOR 110mF 250V
- C2 - START CAPACITOR 100 mF 250V
- DSG - CIRCUIT BREAKER

WIRING DIAGRAM WATER PUMP 1107638

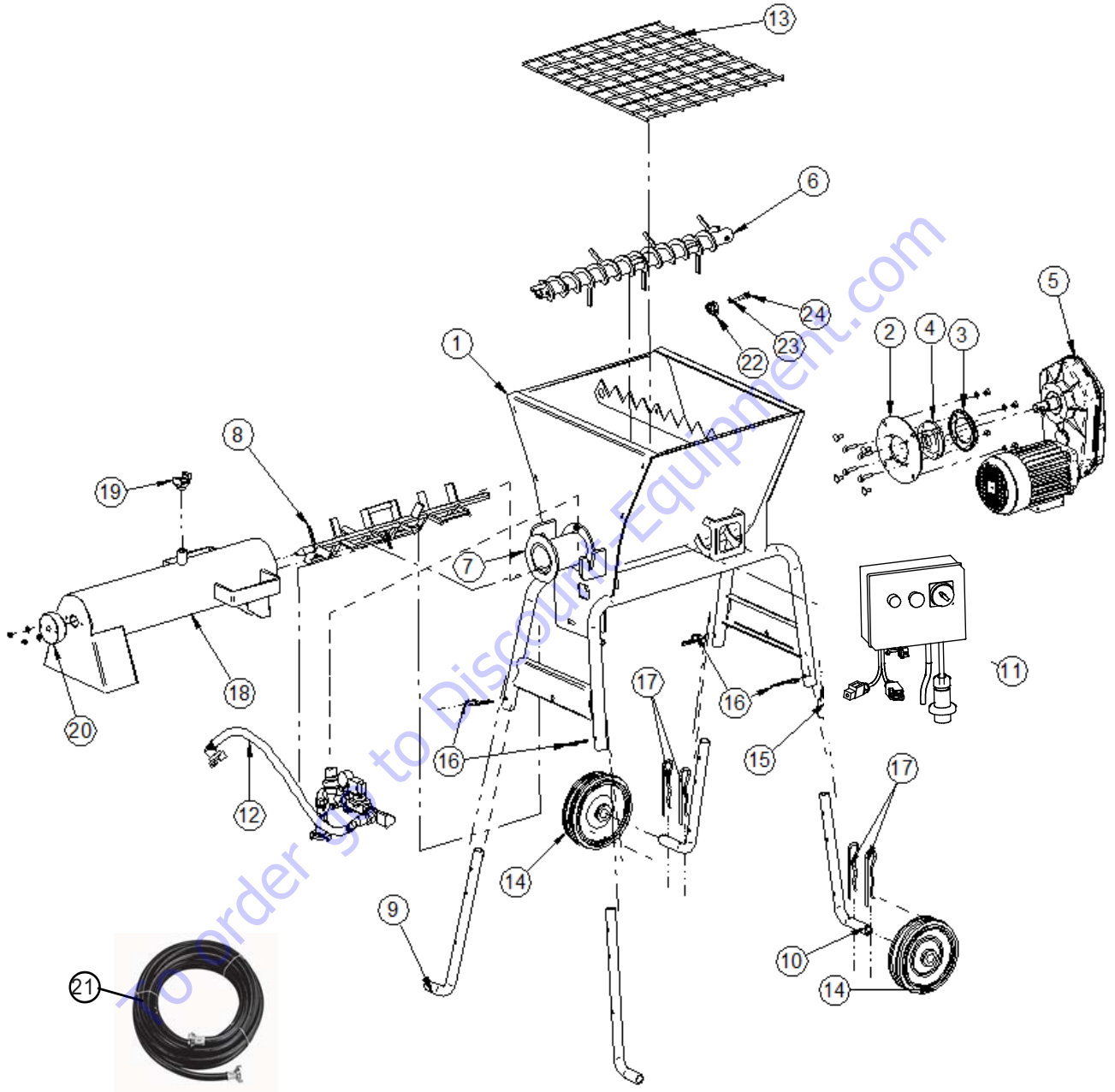


- F1 - FUSE 6.3 X32 2 A**
- KM - CONTACTOR 12A**
- RT2 - SWITCH 10 A**
- M2 - WATER PUMP MOTOR**

SPARE PARTS

To order go to Discount-Equipment.com

Fig.1 Tav.1





TAV.1 STRUTTURA MACCHINA - STRUCTURE DE LA MACHINE - MACHINE STRUCTURE - MASCHINESTRUKTUR - ESTRUCTURA DE LA MAQUINA							
Rif.	Cod.	I	F	GB	D	E	NOTE
1	3226550	TELAIO	CHÂSSIS	FRAME	RAHMEN	BASTIDOR	
2	3226555	RINFORZO PER MOTORIDUTTORE	RENFORCEMENT MOTOREDUCTEUR	ENHANCEMENT FOR GEARMOTOR	BESCHLAG GETRIEBE-MOTOR	CONSOLIDACION POR MOTOREDUCTOR	
3	3224231	FLANGIA GUARNIZIONE	BRIDE JOINT	SEAL FLANGE	DICHTUNGSFLANSCH	BRIDA DE LA JUNTA	
4	3226558	GUARNIZIONE	JOINT	SEAL	DICHTUNG	GUARNICIÓN	D143
5	3237350	MOTORIDUTTORE	MOTOREDUCTEUR	GEARMOTOR	GETRIEBEMOTOR	MOTOREDUCTOR	115V-60HZ
6.A	3226707	COCLEA	VIS SANS FIN	AUGER	SCHNECKE	TORNILLO SIN FIN	
7	3226708	BOCCOLA CAMERA DI MISCELAZIONE	DOUILLE CHAMBRE MALAXAGE	MIXING CHAMBER BUSHING	MISCHKAMMERBUCHSE	CASQUILLO CAMARA DE MEZCLADO	
8	3226706	ALBERO DI MISCELAZIONE	ARBRE MALAXAGE	MIXING SHAFT	MISCHERWELLE	MEZCLADOR	
9	3226560	GAMBA ANTERIORE	PIED AVANT	FRONT FOOT	VORDERER STELLFUSS	PIE DELANTERO	
10	3226561	GAMBA POSTERIORE	PIED ARRIERE	REAR FOOT	HINTERER STELLFUSS	PIE TRASERO	
11	3237341	IMPIANTO ELETTRICO	ELECTRIQUE GROUPE	ELECTRIC UNIT	ELEKTRISH BAUGRUPPE	GRUPO ELECTRICO	
12	3237349	IMPIANTO ACQUA	CIRCUIT D'EAU	WATER CIRCUIT	WASSERANLAGE	INSTALACION DEL AGUA	
13	3226549	RETE	GRILLE	MESH	NETZ	REJILLA	
14	3209809	RUOTA	ROUE	WHEEL	RAD	RUEDA	SEMPN. 200X50f26.5 MOZZ
15	3214791	FINECORSA	FIN DE COURSE	LIMIT SWITCH	ENDSCHLALTER	TOPR DE RECORRIDO	
16	2226700	COPIGLIA	GOUPILLE PIN	SPLIT	SPLINT	PASADOR	
17	3223903	COPIGLIA	GOUPILLE PIN	SPLIT	SPLINT	PASADOR	
18	3226551	CAMERA DI MISCELAZIONE	CHAMBRE MALAXAGE	MIXING CHAMBER	MISCHKAMMER	CAMARA DE MEZCLADO	
19	3224203	ATTACCO RAPIDO	RAPID COUPLEUR	QUICK COUPLEUR	SHNELLKUPPLING	CONNEXION RAPIDA	M 1/2" OTTONE
20	3226559	SUPPORTO ANTERIAORE MISCELATORE	SUPPORT ARRIERE MELANGEUR	FRONT SUPPORT MIXER	VORDERER HALTERUNG MISHER	SOPORTE DELANTERO MEZCLADOR	
21A	3227714	TUBO ACQUA	TUYAU EAU	WATER HOSE	WASSESCHLAUSS	TUBO DE AGUA	1/2" 10BAR L.10MT
21B	3223706	TUBO ACQUA	TUYAU EAU	WATER HOSE	WASSESCHLAUSS	TUBO DE AGUA	1/2" 10BAR L.40MT
22	3236962	BLOCCAGGIO GRIGLIA	SERRUE DE LA GRILLE	MESH LOCK	GRILLSCHLOSS	BLOQUEO DE PARILLA	
23	3230084	FISSATORE ELASTICO	FIXATOR ELASTIQUE	ELASTIC FIXATOR	ELASTICHER FIXATOR	FIXATOR ELASTICO	
24	3230236	VITE	VIS	SCREW	SCHRAUBE	TORNILLO	TEFR 8X25 Z

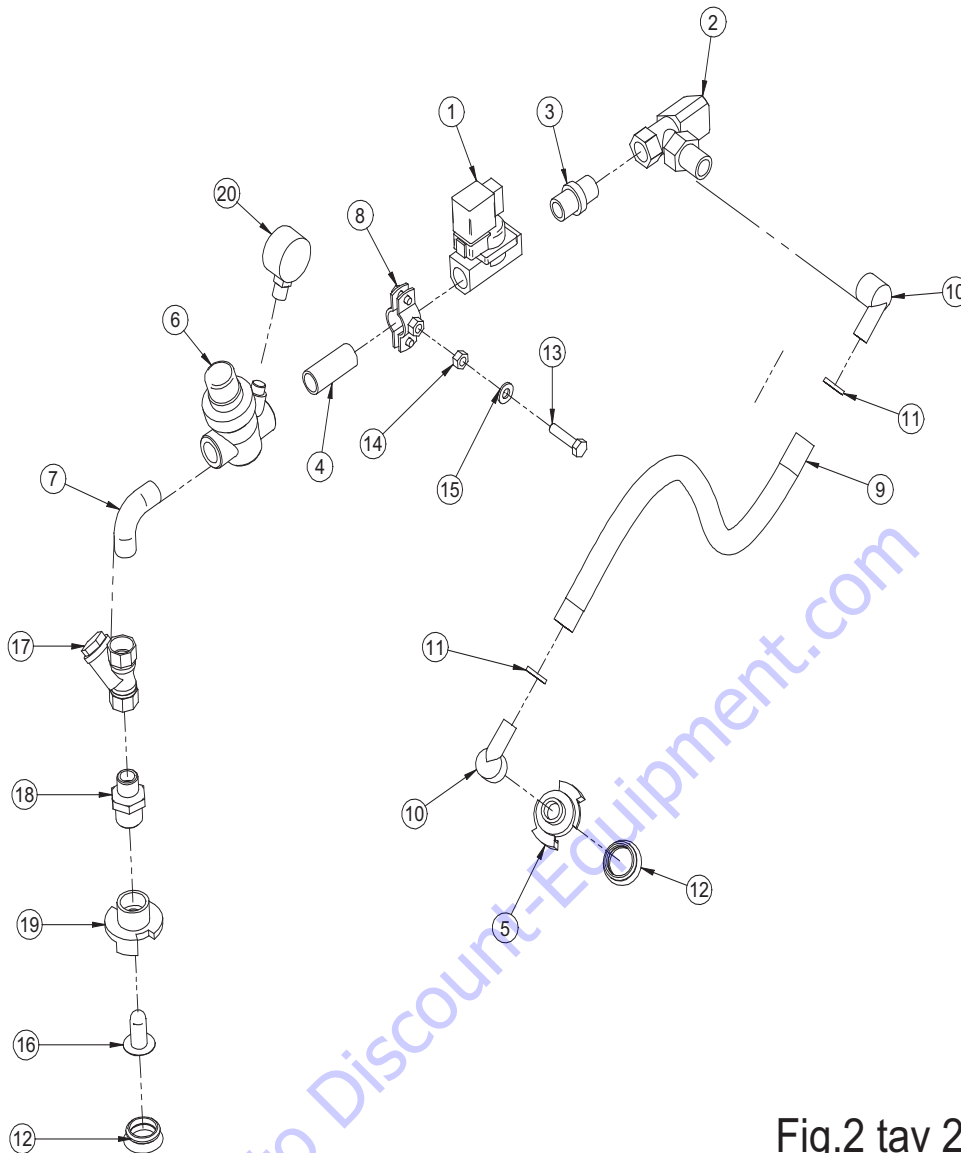


Fig.2 tav 2

TAV.2 3237349 IMPIANTO ACQUA - CIRCUIT D'EAU - WATER CIRCUIT - WASSERANLAGE - INSTALACIÓN DEL AGUA							
Rif.	Cod.	I	F	GB	D	E	NOTE
1	3223631	ELETTROVALVOLA	ÉLECTROVANNE	SOLENOID VALVE	MAGNETVENTIL	ELECTROVÁLVULA	1/2" 115V 50/60HZ
2	3223627	VALVOLA ANGOLO	SOUPAPE ANGULAIRE	ANGLE VALVE	WINKELVENTIL	VÁLVULA ÁNGULO	1/2"
3	3223607	NIPLES	NIPLES	NIPPLE	NIPPEL	NIPLE	1/2" OTTONE
4	3224381	TRONCHETTO	TRICOISES	BRANCH	BOLZEN	MANGUITO	1/2" L.50mm
5	3224203	ATTACCO RAPIDO	FIXATION RAPIDE	QUICK CONNECTOR	SCHNELLAN-SCHLUSS	CONNECTION RAPIDA	1/2" M.
6	3228211	RIDUTTORE DI PRESSIONE	RÉDUCTEUR DE PRESSION	PRESSURE REDUCER	DRUCKMINDERER	REDUCTOR DE PRESIÓN	
7	3227947	GOMITO	COUDE	ELBOW FITTING	KURVE	CODO	90° M.M. 1/2" GHISA Z
8	3226677	COLLARE	COLLIER	CLIP	SHELLE	ABRAZADERA	1/2"
9	3224608	TUBO ACQUA	TUYAU EAU	WATER HOSE	WASSERSCHLAUCH	MANGUERA AGUA	D.13X20 20BAR
10	3224580	PORTAGOMMA	PORTE-CAOUTCHOUC	HOSE FITTING	SCHLAUCHHALTER	ADAPTADOR	90° 1/2" F. D.13
11	3223638	FASCETTA AD ANELLO	COLLIER EN FORME DE BAGUE	RING CLIP	RINGSHELLE	ABRAZADERA DE ANILLO	D. 20-23
12	3223697	GUARNIZIONE ATTACCO RAPIDO	JOINT DE RACCORD EXCENTRIQUE	QUICK COUPLING GASKET	DICHTUNG SCHNELLKUPPLER	JUNTA CONEXIÓN RÁPIDA	
13	2222004	VITE	VIS	SCREW	SCHRAUBE	TORNILLO	TE 5739 M8X35 Z.
14	2223570	DADO	ECROU	NUT	MUTTER	TUERCA	M8
15	2224140	DADO	ECROU	NUT	MUTTER	TUERCA	1/8" M.
16	3223639	FILTRO	FILTRE	FILTER	FILTER	FILTRO	
17	3227840	FILTRO	FILTRE	FILTER	FILTER	FILTRO	"Y" 1/2" 200 MICRON
18	3225605	NIPLES RIDOTTO	NIPLES REDUIT	REDUCED NIPPLE	NIPPEL REDUZIERSTÜCK	NIPLE REDUCIDO	3/4" -1/2"
19	3223636	ATTACCO RAPIDO	FIXATION RAPIDE	QUICK CONNECTOR	SCHNELLAN-SCHLUSS	CONNECTION RAPIDA	3/4" F.
20	3227182	MANOMETRO	MANOMÈTRE	GAUGE	MANOMETER	MANÓMETRO	D.63 0-10 BAR 1/4" M.

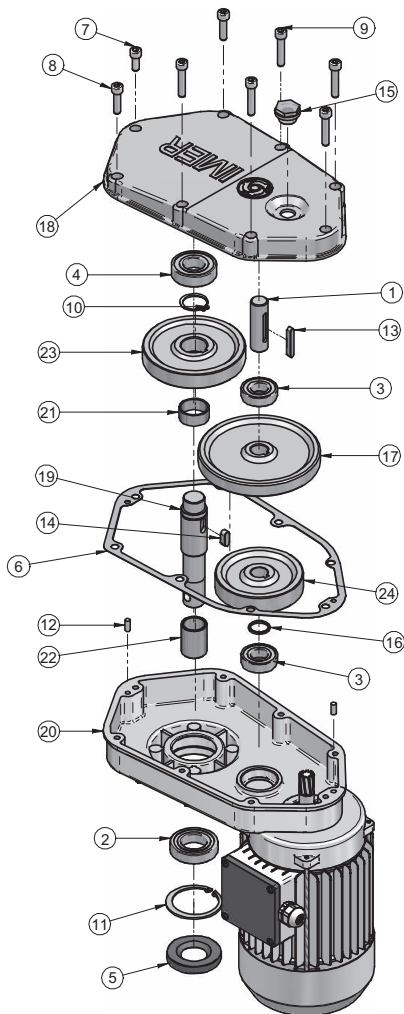
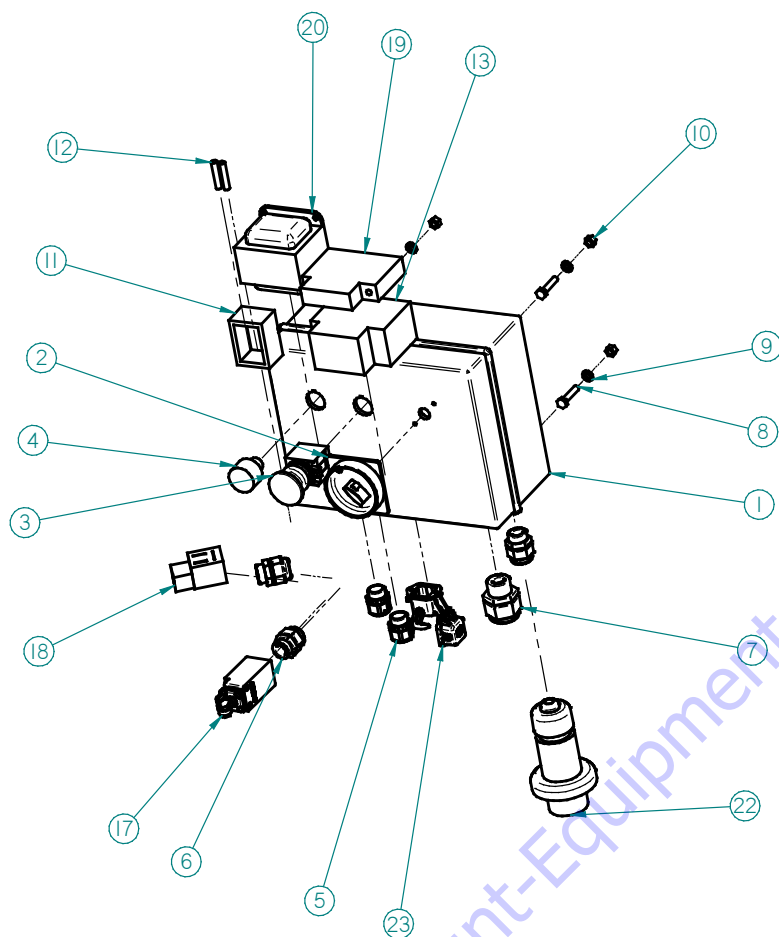


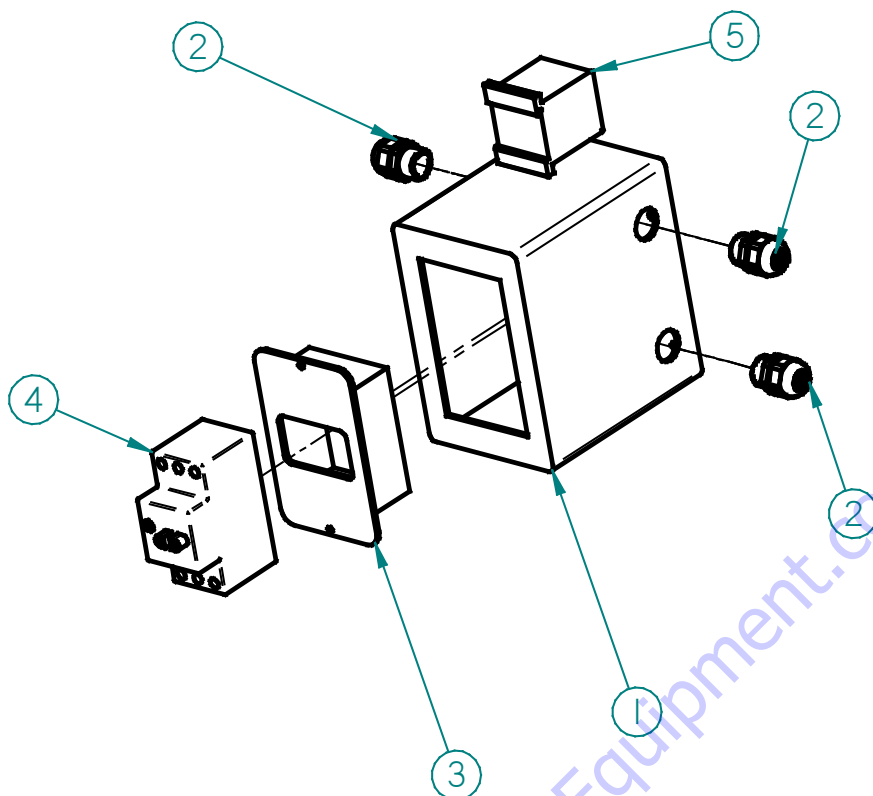
Fig.3 tav 3

TAV. 3		MOTORIDUTTORE - MOTORÉDUCTEUR - GEAR MOTOR - GETRIEBEMOTOR - MOTOREDUCTOR					
		SPIN15-SPIN 15A 115V - 60HZ cod. 3237350					
RIF.	COD.	I	F	GB	D	E	NOTE
1	2201130	PIGNONE	PIGNON	PINION	RITZEL	PIÑÓN	
2	2204220	CUSCINETTO	ROULEMENT	BEARING	LAGER	COJINETE	6206
3	2204440	CUSCINETTO	ROULEMENT	BEARING	LAGER	COJINETE	6004 2RS
4	2204550	CUSCINETTO	ROULEMENT	BEARING	LAGER	COJINETE	6205 SKF
5	2207490	ANELLO PARAOLIO	PARE-HUILE	OIL SEAL	ÖLDICHTUNG	GUARDAGOTAS	62X30X10
6	2216331	GUARNIZIONE	JOINT	GASKET	DICHTUNG	JUNTA	6204
7	2222509	VITE	VIS	BOLT	SCHRAUBE	TORNILLO	5931 M8X20 Z
8	2222513	VITE	VIS	BOLT	SCHRAUBE	TORNILLO	5931 M8X30 Z
9	2222514	VITE	VIS	BOLT	SCHRAUBE	TORNILLO	5931 M8X40 Z
10	2227340	ANELLO ARRESTO	BAGUE D'ARRET	STOP RING	SPERRING	ANILLO DE TOPE	D 30
11	2227660	ANELLO ARRESTO	BAGUE D'ARRET	STOP RING	SPERRING	ANILLO DE TOPE	D 62
12	2228820	SPINA	PIVOT	PIN	ZAPFEN	PERNO	D.2X14
13	2229327	LINGUETTA	LANGUETTE	KEY	FEDER	LENGÜETA	6X6X400
14	2229450	LINGUETTA	LANGUETTE	KEY	FEDER	LENGÜETA	8X7X20
15	2235420	LIVELLO OLIO	NIVEAU HUILE	OIL LEVEL PLUG	SCHAUGLAS	NIVEL ACEITE	
16	2237301	DISTANZIALE	ENTRETOISE	SPACER BRACKET	DISTANZHULSE	ESPACIADOR	20X2
17	3234948	INGRANAGGIO	ENGRENAGE	GEAR	ZAHNRAD	ENGRANAJE	Z.76 M.1.75
18	3225254	FLANGIA RIDUTTORE	BRIDE REDUCTEUR	REDUCTION REAR FLANGE	FLANSCH	BRIDA DEL REDUCTOR	
19	3226623	ALBERO	ARBRE	SHAFT	WELLE	EJE	EIXO
20	3237342	MOTORE ELETTRICO	MOTEUR	ELECTRIC MOTOR	KOMPLETTER MUTTER	MOTOR ELECTRICO	
21	3226630	DISTANZIALE	ENTRETOISE	SPACER BRACKET	DISTANZHULSE	ESPACIADOR	35X31X14.5
22	3226631	ANELLO	BAGUE	RING	RING	ANILLO	25X30X38.5
23	3229751	INGRANAGGIO	ENGRENAGE	GEAR	ZAHNRAD	ENGRANAJE	Z.59 M.2
24	3229749	INGRANAGGIO	ENGRENAGE	GEAR	ZAHNRAD	ENGRANAJE	Z.43 M.2
25	3210707	CONDENSATORE	CONDENSATEUR	CAPACITOR	KONDENSATOR	CONDENSADOR	110mF 250V
26	3230847	SCATOLA ELETTRICA + COPERCHIO	CAISSE ELECTRIQUE + COUVERCLE	ELECTRICAL BOX + COVER	ELEKTRISCH BOX+DECKEL	CAJON ELECTRICO + TAPA	



TAV. 4

IMPIANTO ELETTRICO-ELECTRIQUE GROUPE-ELECTRIC-ELEKTRISH HAUGRUPPE-GRUPO ELECTRICO SPIN 15 115V-60HZ COD.3237341							
RIF.	COD.	I	F	GB	D	E	NOTE
1	3237398	SCATOLA ELETTRICA + COPERCHIO	CAISSE ELECTRIQUE + COUVERCLE	ELECTRICAL BOX + COVER	ELEKTRISCH BOX+DECKEL	CAJON ELECTRICO + TAPA	
2	3226345	INTERRUPTORE PRINCIPALE	INTERRUPTEUR	SWITCH	SCHALTER	INTERRUPTOR	
3	3225237	INTERRUPTORE	INTERRUPTEUR	SWITCH	SCHALTER	INTERRUPTOR	
4	3225241	LED	LED	CABLE CLAMP	KABELKLEMME	PRENSACABLE	
5	3201217	PRESSACAVO	SERRE-CABLE	CABLE CLAMP	KABELKLEMME	PRENSACABLE	
6	3201216	PRESSACAVO	SERRE-CABLE	CABLE CLAMP	KABELKLEMME	PRENSACABLE	
7	3211826	PRESSACAVO	SERRE-CABLE	CABLE CLAMP	KABELKLEMME	PRENSACABLE	
8	2222022	VITE	VIS	BOLT	SCHRAUBE	TORNILLO	
9	2224530	RONDELLA	RONDELLE	WASHER	ANTERLEGSCHIEBE	ARANDELA	
10	2223260	DADO	ECROU	NUT	MUTTER	TUERCA	
11	3227742	PORTAFUSIBILE	FUSE BOX	FUSE BOX	FUSE BOX	FUSE BOX	
12	3227783	FUSIBILE	FUSE	FUSE	FUSE	FUSE	
13	3225223	PROTEZIONE INTERRUPTORE	PROTECTION INTERRUPTEUR	SWITCH PROTECTION	SCUTZ SCHALTER	PROTECCION INTERRUPTOR	
17	3214791	FINECORSA	SWITCH	SWITCH	SWITCH	SWITCH	
18	3226204	CONNETTORE ELETTROVALVOLA	ELECTROVALVE CONNECTOR	ELECTROVALVE CONNECTOR	ELECTROVALVE CONNECTOR	ELECTROVALVE CONNECTOR	
19	3226210	BOBINA	REEL	REEL	REEL	REEL	
20	3200185	TRASFORMATORE	TRANSOFORMATEUR	TRANSFORMER	TRANSFORMER	TRANSFORMER	
21	3204782	SPINA	PLUG	PLUG	PLUG	PLUG	
22	3237396	CONNETTORE HARTIG	HARTIG PLUG	HARTIG PLUG	HARTIG PLUG	HARTIG PLUG	



TAV. 4-1

IMPIANTO ELETTRICO POMPA-ELECTRIC PUMP-SPIN 15 115V-60HZ COD.3237344							
RIF.	COD.	I	F	GB	D	E	NOTE
1	3237383	SCATOLA ELETTRICA + COPERCHIO	CAISSE ELECTRIQUE + COUVERCLE	ELECTRICAL BOX + COVER	ELEKTRISCH BOX+DECKEL	CAJON ELECTRICO + TAPA	
2	3209692	PRESSACAVO	SERRE-CABLE	CABLE CLAMP	KABELKLEMME	PRENSACABLE	
3	3207929	BOX INTERRUTTORE	BOX INTERRUPTEUR	BOX SWITCH	BOX SCHALTER	BOX INTERRUPTOR	
4	3207920	INTERRUTTORE	INTERRUPTEUR	SWITCH	SCHALTER	INTERRUPTOR	
5	3237382	BOBINA	REEL	REEL	REEL	REEL	

**POMPA ACQUA - POMPE - WATER PUMP - PUMPE - BOMBA
SPIN 15-A**

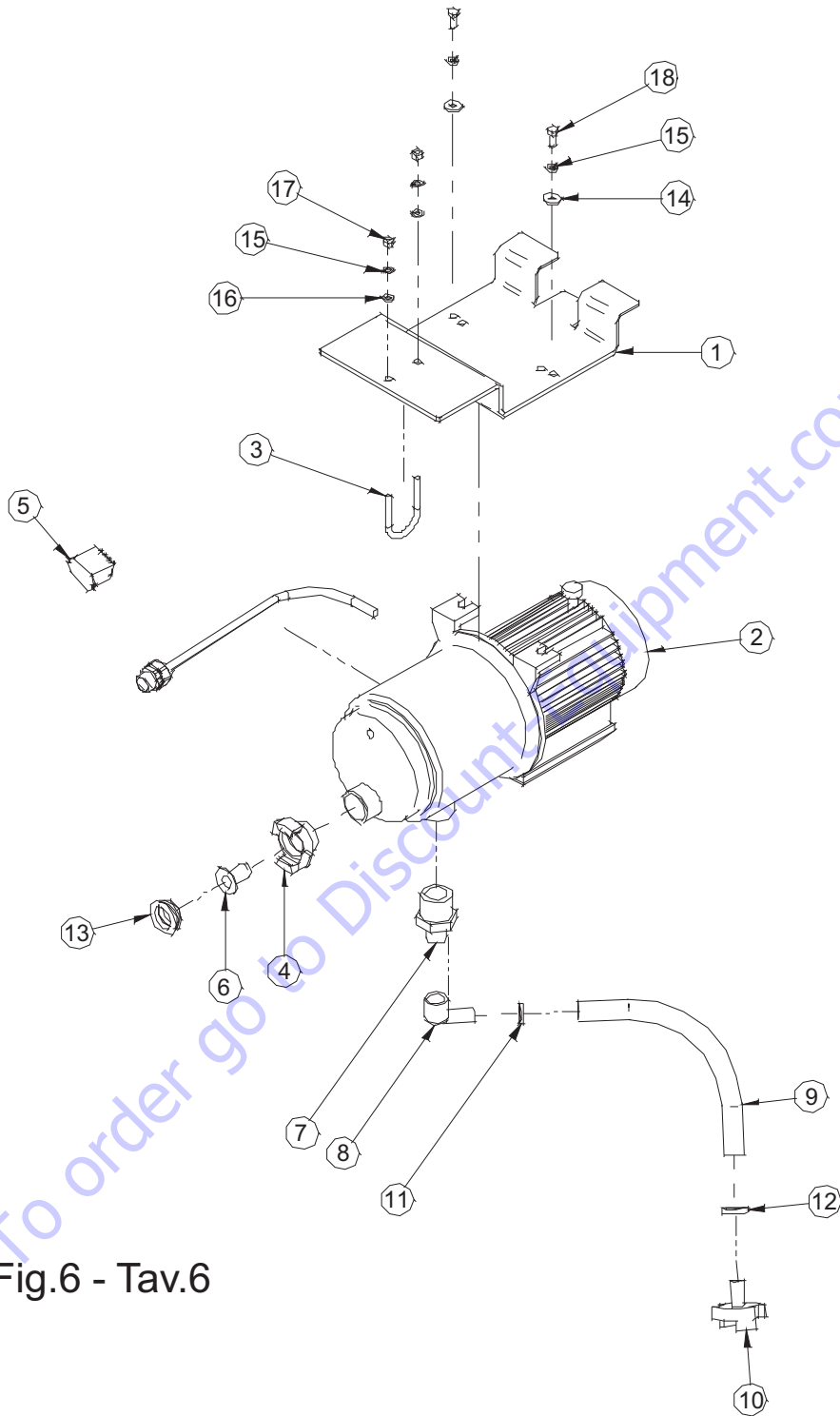


Fig.6 - Tav.6

1107638
KIT POMPA ACQUA - POMPE - KIT WATER PUMP - PUMPE - BOMBA

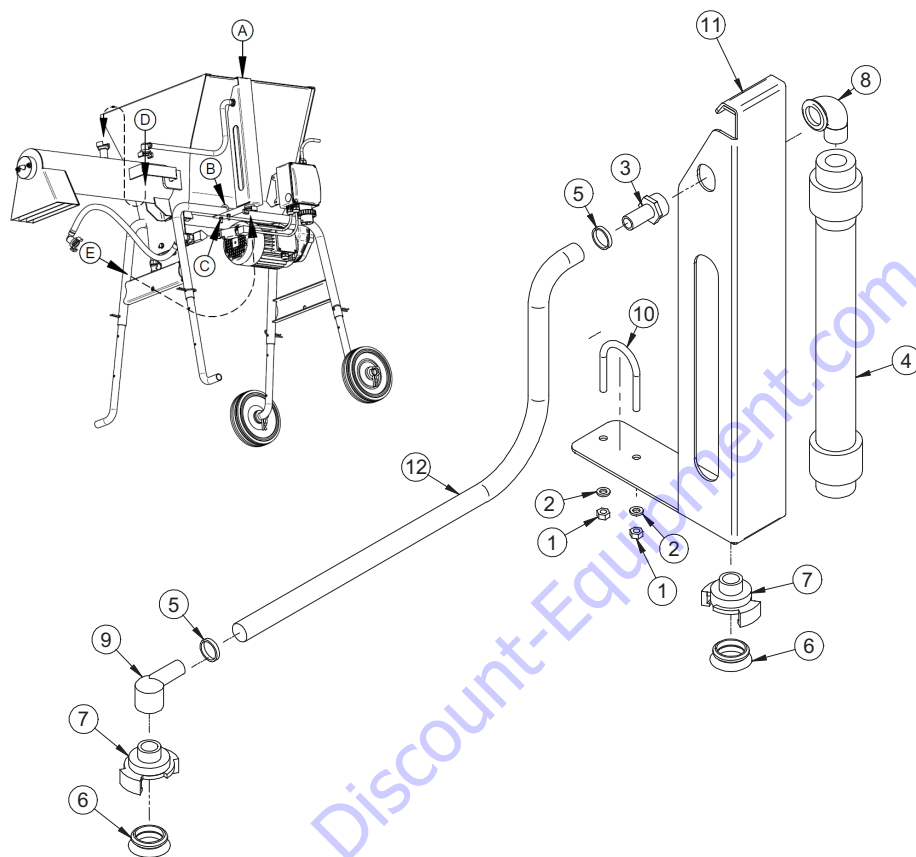


TAV. 6: POMPA ACQUA - POMPE - WATER PUMP - PUMPE - BOMBA							
Rif.	Cod.	I	F	GB	D	E	NOTE
1	3227387	LAMIERA SUPPORTO POMPA	TOLE DE SUPPORT	SUPPORT PLATE	HALTERUNGSBLECH	CHAPA DE SOPORTE	
2	3237343	POMPA	POMPE	PUMP	PUMPE	BOMBA	115v 60Hz
3	3227431	COLLARE ZINCATO	COLLIER	CLIP	SHELLE	ABRAZADERA	M6 DI 35 H61
4	3223722	ATTACCO RAPIDO	FIXATION RAPIDE	QUICK CONNECTOR	SCHNELLANSCHLUSS	EMPALME RÁPIDO	1" M OTTONE
5	3227388	KIT CABLAGGIO POMPA ACQUA	KIT CABLAGE POMPE	PUMP WIRING KIT	KIT VERDRÄHTUNG PUMPE	KIT CABLEADO BOMBA	
6	3223639	FILTRO	FILTRE	FILTER	FILTER	FILTRO	
7	3224349	NIPLES RIDOTTO	NIPLES REDUIT	REDUCED NIPPLE	NIPPEL REDUZIER-STÜCK	NIPLE REDUCIDO	1" - 1/2"
8	3224580	PORTAGOMMA	PORTE-CAOUTCHOUC	HOSE FITTING	SCHLAUCHHALTER	ADAPTADOR	90° 1/2" F. D13
9	3224608	TUBO AIR WATER	TUYAU EAU	WATER HOSE	WASSERSCHLAUCH	TUBO DE AGUA	
10	3223615	ATTACCO RAPIDO CON PORTAGOMMA	FIXATION RAPIDE	QUICK CONNECTOR	SCHNELLANSCHLUSS	EMPALME RÁPIDO	D13 OTTONE
11	3223638	FASCETTA AD ANELLO	COLLIER EN FORME DE BAGUE	RING CLIP	RINGSHELLE	ABRAZADERA DE ANILLO	D. 20-23
12	3225073	FASCETTA AD ANELLO	COLLIER EN FORME DE BAGUE	RING CLIP	RINGSHELLE	ABRAZADERA DE ANILLO	D. 17-20
13	3223697	GUARNIZIONE ATTACCO RAPIDO	JOINT DE RACCORD EXCENTRIQUE	QUICK COUPLING GASKET	DICHTUNG SCHNELLKUPPLER	JUNTA CONEXIÓN RÁPIDA	
14	2224204	RONDELLA	RONDELLE	WASHER	ANTERLEGSCHLEIBE	ARANDELA	M8X24Z
15	2224060	ROSETTA GROWER	RONDELLE GROWER	GROWER WASHER	GROWER-UNTERLEGSCHLEIBE	ARANDELA GROWER	D8 Z
16	2224530	RONDELLA	RONDELLE	WASHER	ANTERLEGSCHLEIBE	ARANDELA	M6X12Z S1.6
17	2223280	DADO	ECROU	NUT	MUTTER	TUERCA	M6Z
18	2222076	VITE	VIS	SCREW	SCHRAUBE	TORNILLO	TE 5739 M8X24 Z.

To order go to Discount-Equipment.com

1107601
KIT FLUSSIMETRO - KIT FLUXMETRE - KIT FLOW METER
KIT DURCHFLUSSMESSER - KIT CAUDALIMETRO

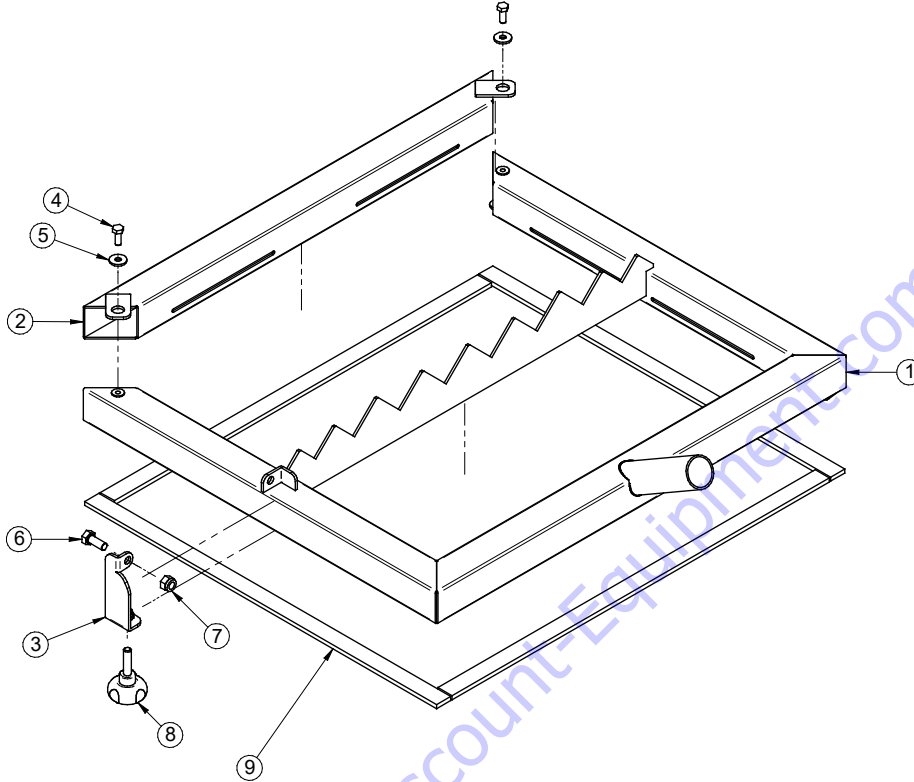
Tav.7



TAV.7: 1107601							
KIT FLUSSIMETRO - KIT FLUXMETRE - KIT FLOW METER							
KIT DURCHFLUSSMESSER - KIT CAUDALIMETRO							
Rif.	Cod.	I	F	GB	D	E	NOTE
1	2223280	DADO	ECROU	NUT	MUTTER	TUERCA	M6Z
2	2224530	RONDELLA	RONDELLE	WASHER	ANTERLEGSCHIEBE	ARANDELA	M6X12Z S1.6
3	3223613	PORTAGOMMA	PORTE-CAOU-TCHOU	HOSE FITTING	SCHLAUCHHALTER	ADAPTADOR	M 1/2" D.13
4	3223633	FLUSSIMETRO	FLUXMETRE	FLOWMETER	DURCHFLUSSMESSER	CAUDALIMETRO	1/2" 150-1000 L/h
5	3223638	FASCETTA AD ANELLO	COLLIER EN FORME DE BAGUE	RING CLIP	RINGSCHELLE	ABRAZADERA DE ANILLO	D. 20-23
6	3223697	GUARNIZIONE ATTACCO RAPIDO	JOINT DE RACCORD EXCENTRIQUE	QUICK COUPLING GASKET	DICHTUNG SCHNELLKUPPLER	JUNTA CONEXION RÁPIDA	
7	3224203	ATTACCO RAPIDO	FIXATION RAPIDE	QUICK CONNECTOR	SCHNELLANSCHLUSS	EMPALME RÁPIDO	1/2" M.
8	3224351	GOMITO 90°	COUDE 90°	90° ELBOW FITTING	90°-KURVE	CODO 90°	1/2" M.F.
9	3224580	PORTAGOMMA	PORTE-CAOU-TCHOU	HOSE FITTING	SCHLAUCHHALTER	ADAPTADOR	90° 1/2" F. D13
10	3227431	COLLARE ZINCATO	COLLIER	CLIP	SHELLE	ABRAZADERA	M6 DI 35 H61
11	3230844	SUPPORTO FLUSSIMETRO	SUPPORT FLUXMETRE	SUPPORT FLOWMETER	MOUNT FLOWMETER	SOPORTE CAUDALIMETRO	1/2" 150-1000 L/h
12	3230849	TUBO AIR WATER	TUYAU EAU	WATER HOSE	WASSERSCHLAUCH	TUBO DE AGUA	13 BAR 13X20 L.860



1107629
KIT CUFFIA ASPIRANTE - KIT DUST CONTROL



TAV.7: 1107629
KIT CUFFIA ASPIRANTE - KIT DUST CONTROL

Rif.	Cod.	I	F	GB	D	E
1	3236925	TUBO ASPIRAZIONE	TUYAU D'ASPIRATION	SUCTION HOSE	SAUGSCHLAUCH	MANGUERA DE SUCCION
2	3236927	TUBO ISPEZIONE				
3	3236930	LAMIERA BLOCCAGGIO				
4	2222021	VITE	VIS	SCREW	SCHRAUBE	TORNILLO
5	2224531	RONDELLA	RONDELLE	WASHER	ANTERLEGSCHIEBE	ARANDELA
6	2222060	VITE	VIS	SCREW	SCHRAUBE	TORNILLO
7	2223923	DADO	ECROU	NUT	MUTTER	TUERCA
8	3207939	POMELLO	POMMEAU	KNOB	KNOPF	MANDO
9	3224965	GUARNIZIONE	SEAL	SEAL	SEAL	SEAL

TO PURCHASE THIS PRODUCT PLEASE CONTACT US



**Equipment Financing and
Extended Warranties Available**



**Discount-Equipment.com is your online resource for
commercial and industrial quality parts and equipment sales.**

561-964-4949

visit us on line @ www.discount-equipment.com

Select an option below to find your Equipment

Search by Manufacturer

Search by Product Type

Request a Quote

We sell worldwide for the brands: Genie, Terex, JLG, MultiQuip, Mikasa, Essick, Whiteman, Mayco, Toro Stone, Diamond Products, Generac Magnum, Airman, Haulotte, Barreto, Power Blanket, Nifty Lift, Atlas Copco, Chicago Pneumatic, Allmand, Miller Curber, Skyjack, Lull, Skytrak, Tsurumi, Husquvarna Target, Stow, Wacker, Sakai, Mi-T-M, Sullair, Basic, Dynapac, MBW, Weber, Bartell, Bennar Newman, Haulotte, Ditch Runner, Menegotti, Morrison, Contec, Buddy, Crown, Edco, Wyco, Bomag, Laymor, EZ Trench, Bil-Jax, F.S. Curtis, Gehl Pavers, Heli, Honda, ICS/PowerGrit, IHI, Partner, Imer, Clipper, MMD, Koshin, Rice, CH&E, General Equipment, Amida, Coleman, NAC, Gradall, Square Shooter, Kent, Stanley, Tamco, Toku, Hatz, Kohler, Robin, Wisconsin, Northrock, Oztec, Toker TK, Rol-Air, APT, Wylie, Ingersoll Rand / Doosan, Innovatech, Con X, Ammann, Mecalac, Makinex, Smith Surface Prep, Small Line, Wanco, Yanmar



EQUIPMENT WARRANTY

IMER U.S.A. INC.
HEADQUARTERS

We warrant to the original purchaser that the IMER equipment described herein (the "equipment") shall be free from defects in material and workmanship under normal use and service for which it was intended for period of one (1) year from the date of purchase by the original purchaser.

Our obligation under this warranty is expressly limited to replacing or repairing, free of charge, F. O.B. our designated service facility, such part of the equipment as our inspection shall disclose to be defective. Parts such as engines, motors, pumps, valves, electric motors, etc. furnished by us, but not manufactured by us, will carry only the warranty of the manufacturer. Transportation charges or duties shall be borne by purchaser. This shall be the limit of our liability with respect to the quality of the equipment.

This warranty shall not apply to any equipment, or parts thereof, which has been damaged by reason of accident, negligence, unreasonable use, faulty repairs, or which has not been maintained and operated in accordance with our printed instructions for the equipment. Further, this warranty is void if the equipment, or any of its components, is altered or modified in any way.

THIS WARRANTY IS EXPRESSLY IN LIEU OF ALL OTHER WARRANTIES, EXPRES-SED OR IMPLIED, INCLUDING ANY IMPLIED WARRANTY OF MERCHANTABILITY OR FITNESS FOR A PARTICULAR PURPOSE.

We make no other warranty, representation or guarantee, nor is anyone authorized to make one on our behalf. We shall not be liable for consequential damage of any kind, including loss or damage resulting, directly or indirectly, from the use or loss of use of the machine. Without limiting the generality of the fore-going, this exclusion from liability embraces the purchaser's expenses for downtime, damages for which the purchaser may be liable to other person, damages to property, and injury or death of any persons.

This warranty shall not be deemed to cover maintenance parts, including but not limited to blades, belts, hoses, hydraulic oil, or filters, for which we shall have no responsibility or liability whatsoever.



www.Discount-Equipment.com