



Parts List Manual

VAC-200



Manual - Portable

PARTS FINDER

**Search Website
by Part Number**



**Search Manual
Library For Parts
Manual & Lookup Part
Numbers – Purchase
or Request Quote**

**Can't Find Part or
Manual? Request Help
by Manufacturer,
Model & Description**

Discount-Equipment.com is your online resource for quality parts & equipment.

Florida: **561-964-4949** Outside Florida TOLL FREE: **877-690-3101**

Need parts?

Click on this link: <http://www.discount-equipment.com/category/5443-parts/> and choose one of the options to help get the right parts and equipment you are looking for. Please have the machine model and serial number available in order to help us get you the correct parts. If you don't find the part on the website or on one of the online manuals, please fill out the request form and one of our experienced staff members will get back to you with a quote for the right part that your machine needs.

We sell worldwide for the brands: Genie, Terex, JLG, MultiQuip, Mikasa, Essick, Whiteman, Mayco, Toro Stone, Diamond Products, Generac Magnum, Airman, Haulotte, Barreto, Power Blanket, Nifty Lift, Atlas Copco, Chicago Pneumatic, Allmand, Miller Curber, Skyjack, Lull, Skytrak, Tsurumi, Husquvarna Target, Stow, Wacker, Sakai, Mi-T-M, Sullair, Basic, Dynapac, MBW, Weber, Bartell, Bennar Newman, Haulotte, Ditch Runner, Menegotti, Morrison, Contec, Buddy, Crown, Edco, Wyco, Bomag, Laymor, EZ Trench, Bil-Jax, F.S. Curtis, Gehl Pavers, Heli, Honda, ICS/PowerGrit, IHI, Partner, Imer, Clipper, MMD, Koshin, Rice, CH&E, General Equipment, Amida, Coleman, NAC, Gradall, Square Shooter, Kent, Stanley, Tamco, Toku, Hatz, Kohler, Robin, Wisconsin, Northrock, Oztec, Toker TK, Rol-Air, APT, Wylie, Ingersoll Rand / Doosan, Innovatech, Con X, Ammann, Mecalac, Makinex, Smith Surface Prep, Small Line, Wanco, Yanmar

READ AND UNDERSTAND THE OPERATORS INSTRUCTION MANUAL THOROUGHLY BEFORE ATTEMPTING TO OPERATE THIS EQUIPMENT. Death or serious injury could occur if this machine is used improperly.



SAFETY MESSAGES



The safety instructions are preceded by a graphic alert message of DANGER, WARNING, or CAUTION.



Indicates an imminent hazard which, if not avoided, will result in death or serious injury.



Indicates an imminent hazard which, if not avoided, can result in death or serious injury.



Indicates hazards which, if not avoided, could result in serious injury and or damage to the equipment.

GASOLINE Powered Equipment



- Do not operate gasoline powered equipment without adequate ventilation. Carbon monoxide is an invisible, odorless gas that can kill.

ELECTRICAL Powered Equipment



- ELECTRICAL HAZARD** - Be sure equipment is properly grounded. Failure to comply could kill or result in serious injury.



The engine exhaust from this product contains chemicals known to the State of California to cause cancer, birth defects or other reproductive harm.

GENERAL INSTRUCTIONS



- You must read and understand the operators instruction manual and all other manuals associated with this machine. For your safety and the safety of others around you, it is extremely important to fully understand how to operate this machine in the way it was intended. Different model machines or older/newer versions of the same model may have different parts and controls that you need to understand. If instructions are not readable or available DO NOT USE this machine and contact Discount-equipment for a replacement Manual.
- You must be able to physically handle the bulk weight and power of this machine. If not properly controlled this machine can cause death or serious injury.
- Do not operate this machine in an impaired mental state. You must be able to exercise good judgement and reactions to maintain a safe working environment.
- This is a "one person" machine which means only one operator can be operating the machine at any one time. For the safety of others, maintain a safe operating distance to other personnel. Your work area should be defined and appropriately marked so bystanders and coworkers do not stand or walk near this machine and end up seriously injured by flying debris or exposing them to harmful noise or dust.
- This equipment is for Commercial use. Although this is a "one person" machine your work team should understand how to shut this machine off and quickly get medical help if an accident strikes the operator.
- Keep all guards in place during operation. The guards are to provide protection from inadvertent contact with dangerous moving parts, pinch points, or hot surfaces.
- Wear appropriate Personal Protective Equipment (PPE) including safety glasses, safety boots, work gloves, respiratory protection, hearing protection, and head protection. Do not wear loose clothing that can get tangled in moving parts. Failure to do so could result

in dismemberment or death. **Wear an approved respirator when removing hazardous materials or when grinding/cutting dry materials. Some dust particles such as concrete dust can contain silicate particles which can cause silicosis (a very serious lung disease). Contact NIOSH or OSHA for further details. When wet grinding/cutting, avoid contact with the concrete/asphalt slurry which can cause serious skin irritations.**

- You must maintain this machine per the maintenance schedule in the operator manual. Remember before adjusting, servicing, or fueling this machine, disconnect the source of power to the machine by disconnecting the spark plug (Gas models), or by unplugging the electrical power cord (electric models) or air hose (Pneumatic models) AT THE MACHINE so you can assure yourself it remains unplugged while you are working on it. Do not modify this machine. Use only genuine EDCO parts and accessories. Repairs and service should be performed by approved EDCO dealers or authorized technicians.
- You should look carefully around the area before you begin work so you can identify potential hazards such as deck inserts, pipes, columns, openings, electrical cords or outlets, or any other objects protruding from the slab surface.
- This machine has no brain so you must use your own. There is no substitute for safety. The safety decals on the machine are to serve as a reminder for information you must already know before you begin using this machine. Take a moment to reread the safety decals each time you use the machine. If your machine is missing any decals, contact Discount-equipment for a replacement.

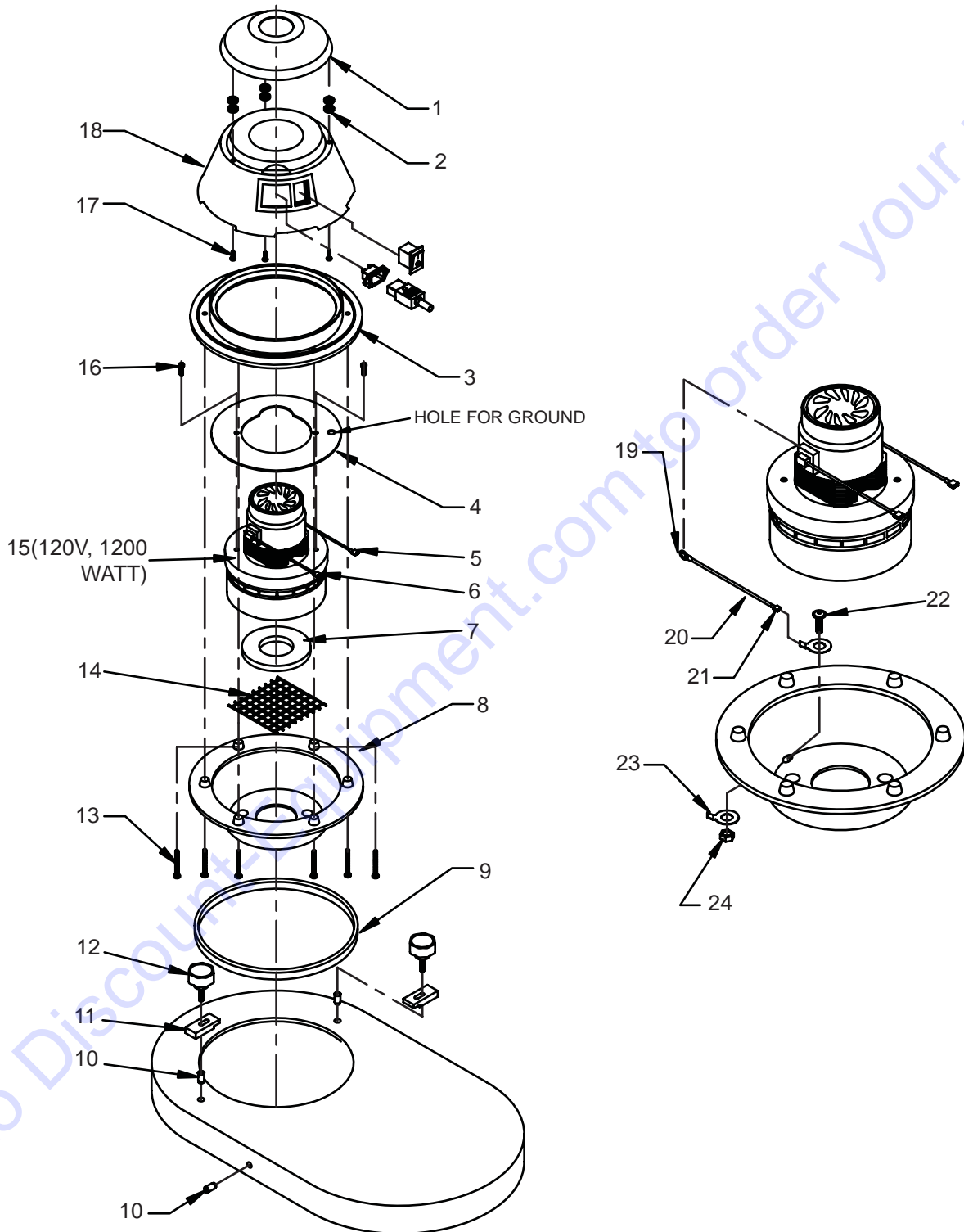
PARTS LIST MANUAL

MODEL VAC-200

<u>Section</u>	<u>Page Number</u>
Safety Messages / General Instructions	2
How To Order Replacement Parts	3
Illustration 1 : 1000 Motor Deck Assembly	4,5
Illustration 2 : 2220 Motor Deck Assembly	6,7
Illustration 3 : 1000 Switch assembly	8,9
Illustration 4 : 2220 Switch Assembly	10,11
Illustration 5 : Filter Assemblies	12,13
Illustration 6 : Hepa Filter & MiniHelic Assembly	14,15
Illustration 7 : Base Assembly	16,17
Illustration 8 : Dust Pan Lever Assembly	18,19
Illustration 9 : Inlet Assemblies	20,21
Blank	22,23
Limited Equipment Warranty	Back Cover

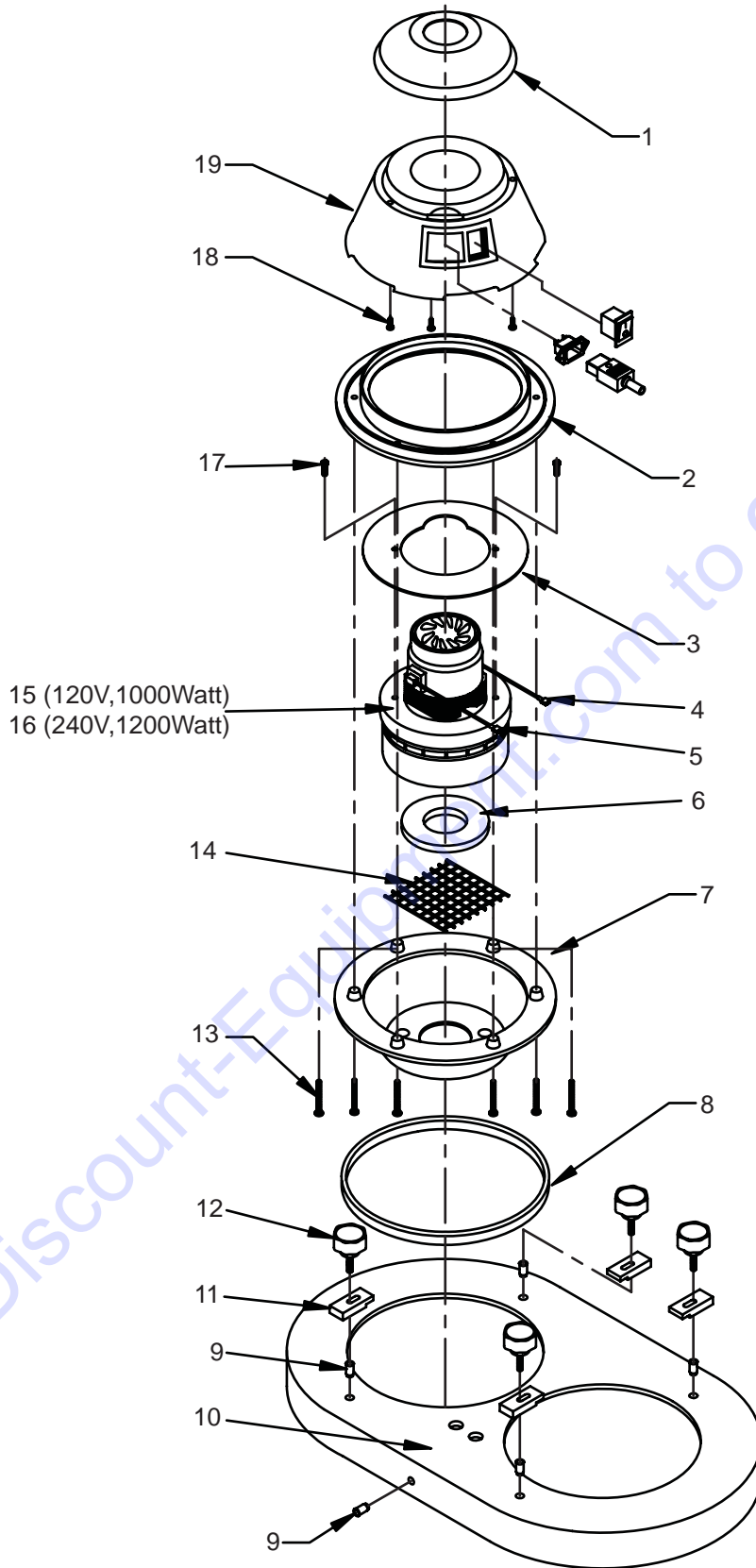
Go to Discount-Equipment.com to order your parts

ILLUSTRATION #1 : 1000 MOTOR DECK ASSEMBLY



PARTS LISTING - ILLUSTRATION #1 : 1000 MOTOR DECK ASSEMBLY			
ITEM #	PART #	DESCRIPTION	QTY
1	ED27015	HOUSING COVER, SINGLE MOTOR	1
2	ED200432	NYLON WASHER, NOT USED	0
3	ED8004	SUPPORT RING FOR SINGLE MOTOR	1
4	ED27007	SEPARATOR PLATE,WNS MOTOR HEAD	1
5	ED31711	TERMINAL, 16/14 GAUGE, FEMALE, PUSHON BLUE NYLON	2
6	ED31011	TERMINAL, 16/14 GAUGE,PUSHON, FEMALE, NON-INSULATED	2
7	ED2509811	NEOPRENE SPONGE GASKET, 3/8" THICK, 5" OD,2-1/4" ID	1
8	ED27001	MOTOR HEAD, ALUMINUM	1
9	ED27004	GASKET FOR MOTOR HEAD	1
10	ED34817A	M6 BLIND PEM	4
11	ED20020	HOLD DOWN BRACKET, FOR WS MOTOR	2
12	ED26603	KNOB FOR MOTOR HOLD DOWN, M6	2
13	ED27003	#8 X 2" PHIL PAN HEAD, ZINC	6
14	ED8021	PROTECTION SCREEN, MOTOR HEAD	1
15	ED27000	MOTOR, 120V, 1200 W	1
16	ED32987	SHEET METAL SCREW, 4.2X16MM	2
17	ED27012	#8 X 1/2" PHIL PAN HEAD, ZINC	3
18	ED27014	MOTOR HOUSING, SINGLE	1
19	ED31503	TERMINAL, # 10 RING, 16/14 GAUGE	1
20	ED34993	GROUND CABLE, 16 GAUGE, GREEN	1
21	ED31711	TERMINAL, 16/14 GAUGE, FEMALE	1
22	ED34817	M6 X 20 ULS ALLEN HEAD SCREW	1
23	ED34998	GROUND CONNECTION, FOR BOLT	2
24	ED34876	M6 LOCK NUT, ZINC	1

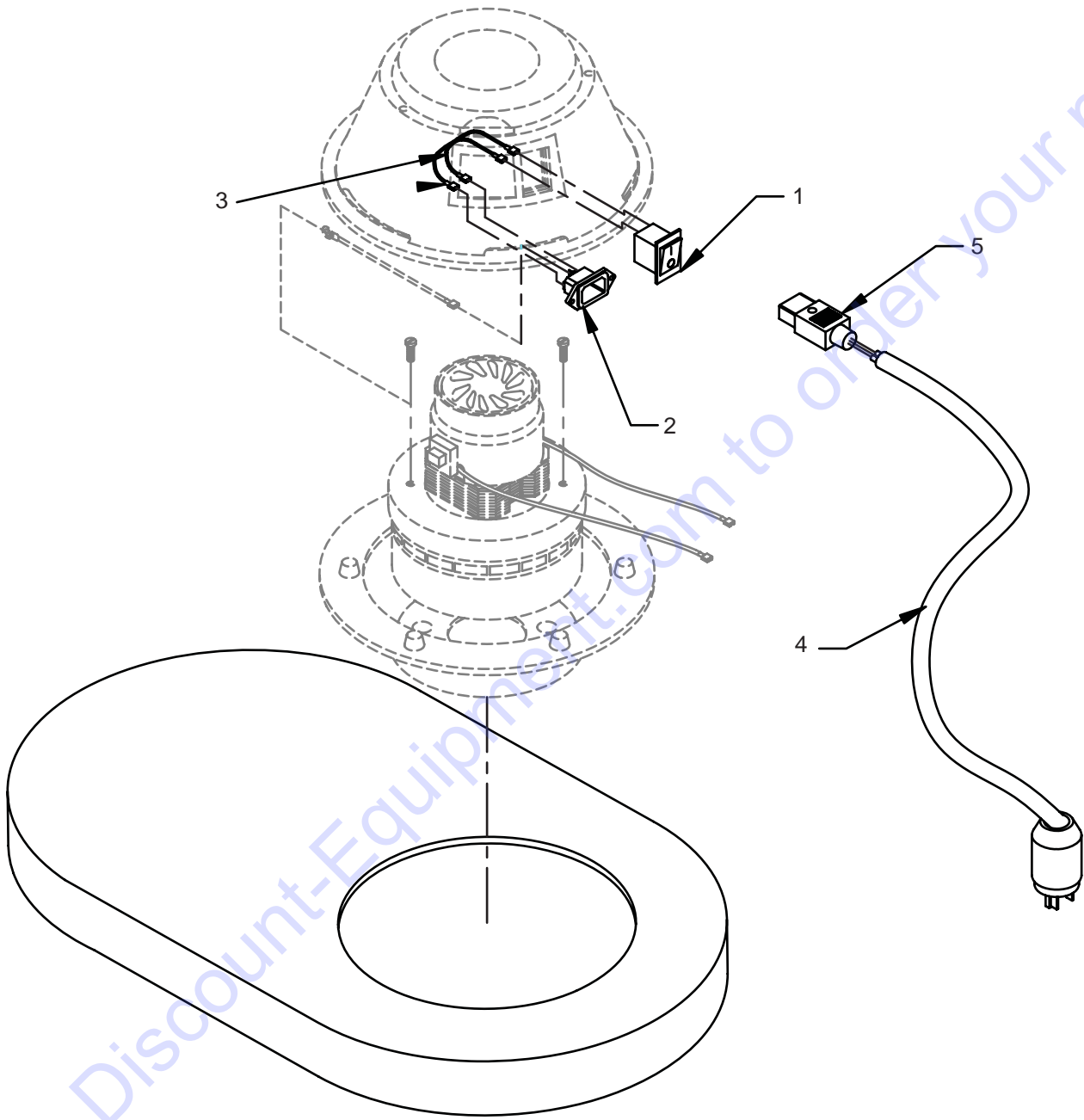
ILLUSTRATION #2 : 2220 MOTOR DECK ASSEMBLY



PARTS LISTING - ILLUSTRATION #2 : 2220 MOTOR DECK ASSEMBLY

ITEM #	PART #	DESCRIPTION	QTY
1	ED27015	HOUSING COVER, SINGLE MOTOR	2
2	ED8004	SUPPORT RING FOR SINGLE MOTOR	2
3	ED27007	SEPARATOR PLATE, WNS MOTOR HEAD	2
4	ED31711	TERMINAL, 16/14 GAUGE, FEMALE, PUSHON BLUE NYLON	4
5	ED31011	TERMINAL, 16/14 GAUGE, PUSHON, FEMALE, NON-INSULATED	4
6	ED2509811	NEOPRENE SPONGE GASKET	2
7	ED27001	MOTOR HEAD, ALUMINUM	2
8	ED27004	GASKET FOR MOTOR HEAD	2
9	ED34817A	M6 BLIND PEM	6
10	ED90223	WNS MOTOR DECK, RED, WNS, 2 MOTOR	1
11	ED20020	HOLD DOWN BRACKET, FOR WS MOTOR	4
12	ED26603	KNOB FOR MOTOR HOLD DOWN, M6	4
13	ED27003	#8 X 2" PHIL PAN HEAD, ZINC	12
14	ED8021	PROTECTION SCREEN, MOTOR HEAD	2
15	ED27002	MOTOR, 120V, 1000 WATT	2
16	ED116549-13	MOTOR, 240V, 1200 WATT	2
17	ED32987	SHEET METAL SCREW, 4.2X16MM	4
18	ED27012	#8 X 1/2" PHIL PAN HEAD, ZINC	6
19	ED27014	MOTOR HOUSING, SINGLE	2

ILLUSTRATION #3 : 1000 SWITCH ASSEMBLY

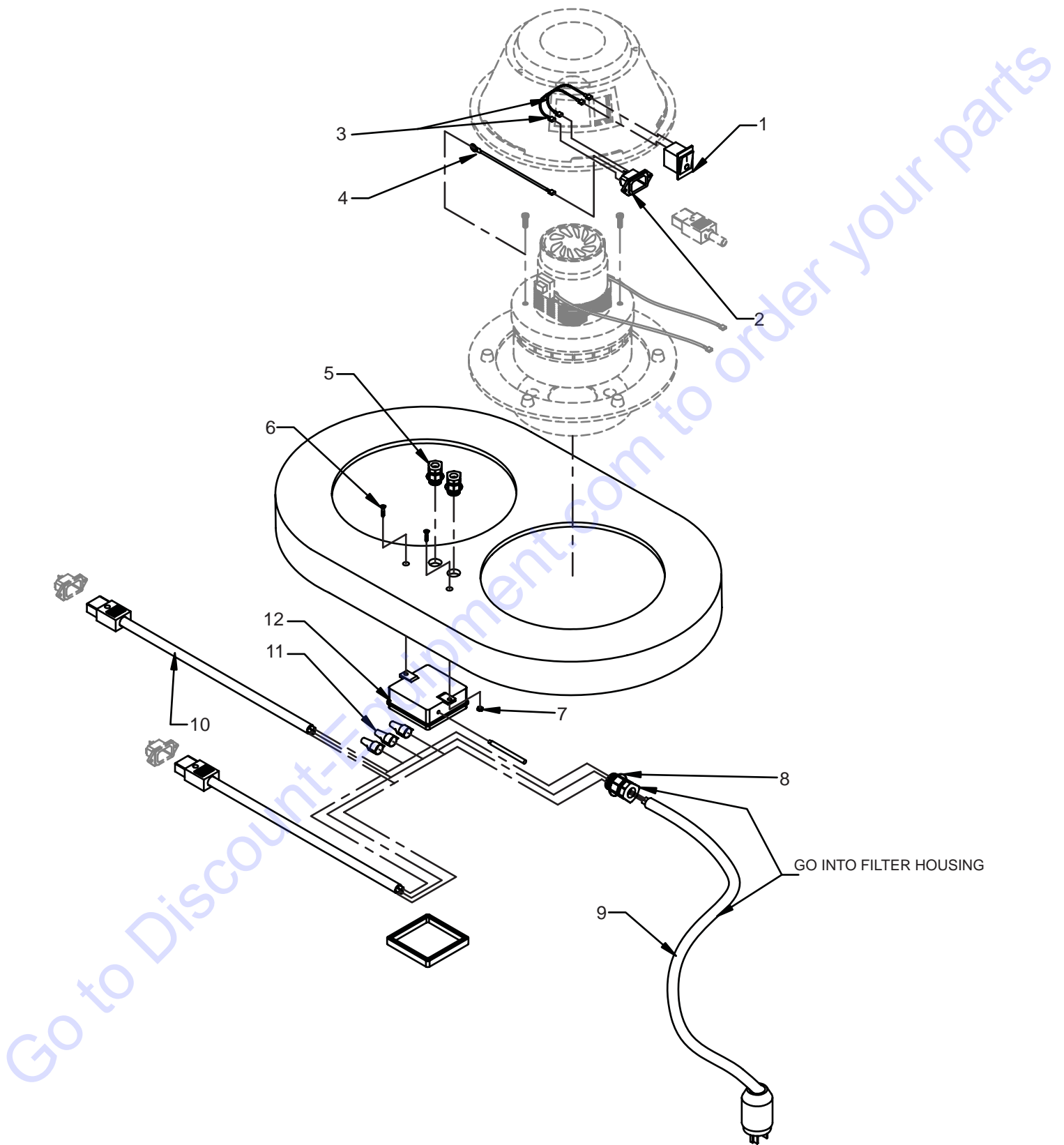


Go to Discount-Equipment.com to order your parts

PARTS LISTING - ILLUSTRATION #3 : 1000 SWITCH ASSEMBLY

ITEM #	PART #	DESCRIPTION	QTY
1	ED27017	SWITCH, TOGGLE, WS, 1000/1200	1
2	ED25211	MALE IEC PLUG	1
3	ED34905A	GROUND WIRE FROM PLUG TO MOTOR	2
4	ED2005531	POWER CORD, 12/3 SJO W/MOLDED 110V PLUG	1
5	ED25209	FEMALE IEC PLUG	1

ILLUSTRATION #4 : 2220 SWITCH ASSEMBLY



PARTS FINDER

**Search Website
by Part Number**



**Search Manual
Library For Parts
Manual & Lookup Part
Numbers – Purchase
or Request Quote**

Search Manuals

Enter your information to help us find the right parts manual for your machine.

* Brand:

* Model:

* Serial:

* Part Number:

SEARCH

**Can't Find Part or
Manual? Request Help
by Manufacturer,
Model & Description**

Parts Order Form

Please fill in the following information to help us find the right part for your machine.

Manufacturer:	<input type="text"/>
Model:	<input type="text"/>
Description:	<input type="text"/>
Part Number:	<input type="text"/>
Quantity:	<input type="text"/>
Notes:	<input type="text"/>

Discount-Equipment.com is your online resource for quality parts & equipment.

Florida: **561-964-4949** Outside Florida TOLL FREE: **877-690-3101**

Need parts?

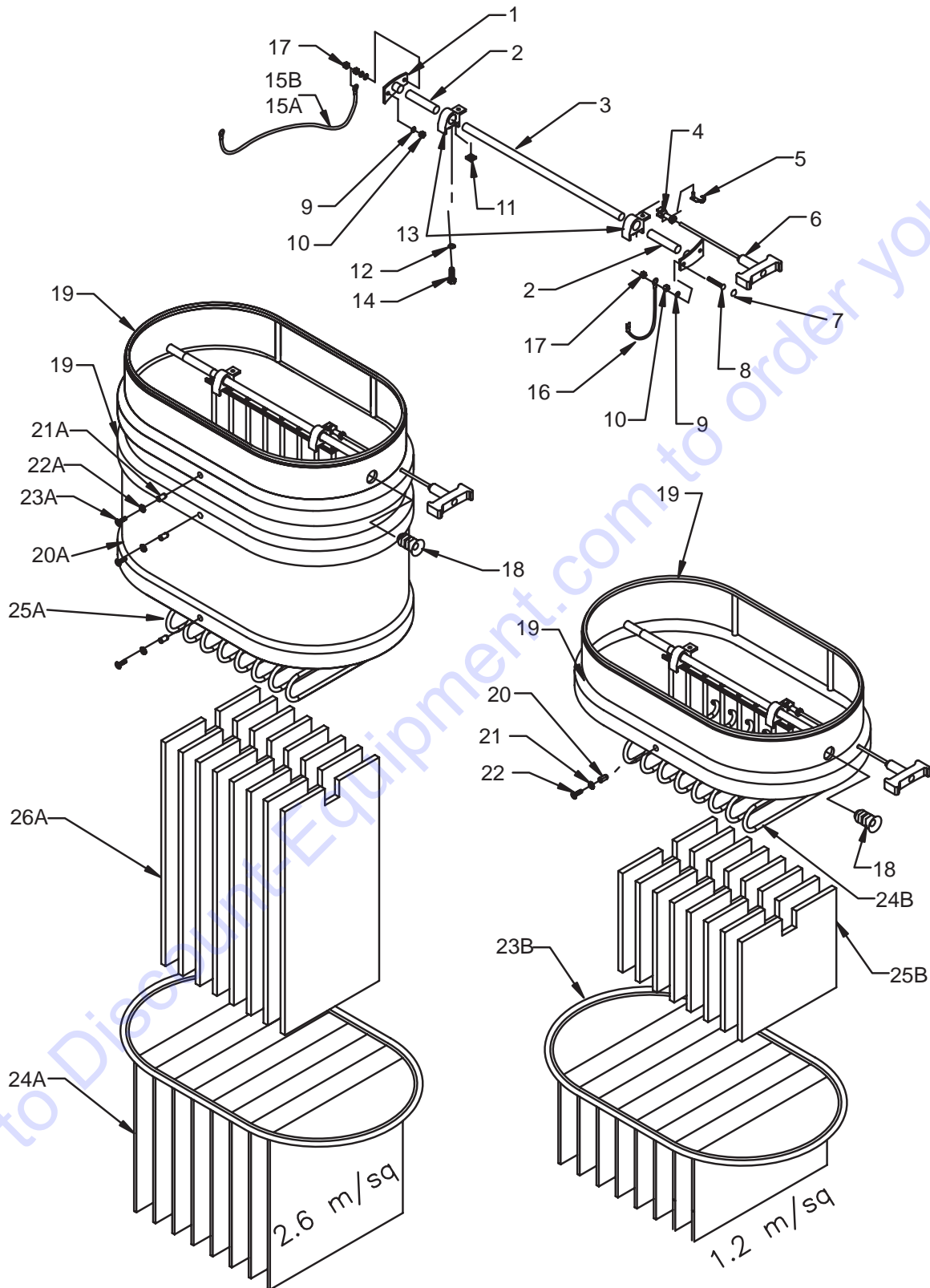
Click on this link: <http://www.discount-equipment.com/category/5443-parts/> and choose one of the options to help get the right parts and equipment you are looking for. Please have the machine model and serial number available in order to help us get you the correct parts. If you don't find the part on the website or on one of the online manuals, please fill out the request form and one of our experienced staff members will get back to you with a quote for the right part that your machine needs.

We sell worldwide for the brands: Genie, Terex, JLG, MultiQuip, Mikasa, Essick, Whiteman, Mayco, Toro Stone, Diamond Products, Generac Magnum, Airman, Haulotte, Barreto, Power Blanket, Nifty Lift, Atlas Copco, Chicago Pneumatic, Allmand, Miller Curber, Skyjack, Lull, Skytrak, Tsurumi, Husquvarna Target, Stow, Wacker, Sakai, Mi-T-M, Sullair, Basic, Dynapac, MBW, Weber, Bartell, Bennar Newman, Haulotte, Ditch Runner, Menegotti, Morrison, Contec, Buddy, Crown, Edco, Wyco, Bomag, Laymor, EZ Trench, Bil-Jax, F.S. Curtis, Gehl Pavers, Heli, Honda, ICS/PowerGrit, IHI, Partner, Imer, Clipper, MMD, Koshin, Rice, CH&E, General Equipment, Amida, Coleman, NAC, Gradall, Square Shooter, Kent, Stanley, Tamco, Toku, Hatz, Kohler, Robin, Wisconsin, Northrock, Oztec, Toker TK, Rol-Air, APT, Wylie, Ingersoll Rand / Doosan, Innovatech, Con X, Ammann, Mecalac, Makinex, Smith Surface Prep, Small Line, Wanco, Yanmar

PARTS LISTING - ILLUSTRATION #4 : 2220 SWITCH ASSEMBLY

ITEM #	PART #	DESCRIPTION	QTY
1	ED27017	SWITCH, TOGGLE, WS, 1000/1200	2
2	ED25211	MALE IEC PLUG	2
3	ED34905A	GROUND WIRE FROM PLUG TO MOTOR	4
4	ED34993	GROUND CABLE, 16 GAUGE, GREEN	2
5	ED34960	PG 09 CABLE GRIP	2
6	ED25048	#8-32 X 3/4 PHILLIPS FLAT HEAD	2
7	ED25049	#8-32 HEX NUT	2
8	ED34955	PG 16, CABLE GRIP	1
9	ED2005531	POWER CABLE	1
10	ED25210	FEMALE IEC PLUG W/12" WIRE	2
11	ED21095	WIRE NUT, TWISTING	3
12	ED32999	JUNCTION BOX	1

ILLUSTRATION #5 : FILTER ASSEMBLIES



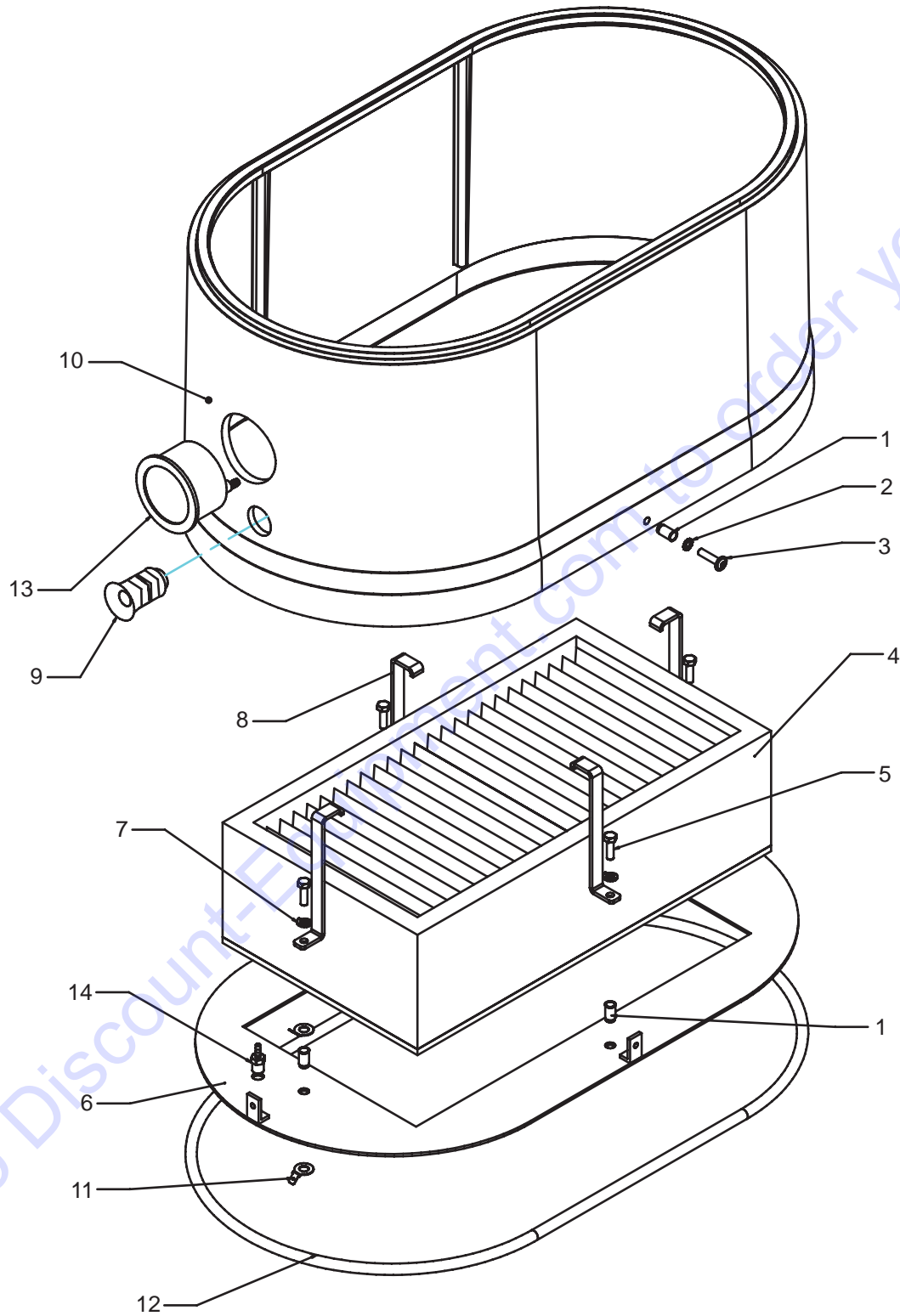
PARTS LISTING - ILLUSTRATION #5 : 1.2 FILTER ASSEMBLY

ITEM #	PART #	DESCRIPTION	QTY
1	ED34806	34806 SHAKER ROD MOUNTING SUPPORT	2
2	ED34805	CLEAR HOSE, 3/4 ID	2
3	ED34804	SLIDE BAR	1
4	ED25047	STEEL YOKE END	1
5	ED34879	SPRING CLIP, 6X12	1
6	ED22565	SHAKER BAR WITH SWIVEL HANDLE	1
7	ED34871	PLASTIC PLUG 4.5/13	4
8	ED34815	M6 X 30 ALLEN SCREW COUNTER SUNK	4
9	ED20039	M6 SPLIT LOCK WASHER	4
10	ED20040	M6 HEX NUT	4
11	ED20045	SQUARE NUT, 8MM, ZINC	2
12	ED20050	M8 LOCK WASHER	2
13	ED34802	SLIDE ASSEMBLY, W/HOOK	2
14	ED25038	M8 HEX CAP-1.25X20 ZINC	2
15B	ED34868	GROUND, DEFLECTOR, 1.2 FILTER	1
16	ED34866	GROUND, SHAKER TO MOTOR DECK	1
17	ED34876	M6 LOCK NUT	2
18	ED34955	PG 16 CABLE GRIP	1
19	ED34823	HOUSING SPACER, SMALL, RED	1
20	ED34817A	M6 BLIND PEM	2
21	ED25000	1/4" STAR WASHER	2
22	ED3481701	M6X25 ALLEN HEAD SCREW	2
23B	ED20091	FILTER, 13 SQ/FT, 1.2M2	1
24B	ED25056	FILTER SHAKER INSERT, 1.2M	1
25B	ED20091F	FILTER INSERT, 1.2M	1

PARTS LISTING - ILLUSTRATION #5 : 2.6 FILTER ASSEMBLY

ITEM #	PART #	DESCRIPTION	QTY
1	ED34806	34806 SHAKER ROD MOUNTING SUPPORT	2
2	ED34805	CLEAR HOSE, 3/4 ID	2
3	ED34804	SLIDE BAR	1
4	ED25047	STEEL YOKE END	1
5	ED34879	SPRING CLIP, 6X12	1
6	ED22565	SHAKER BAR WITH SWIVEL HANDLE	1
7	ED34871	PLASTIC PLUG 4.5/13	4
8	ED34815	M6 X 30 ALLEN SCREW COUNTER SUNK	4
9	ED20039	M6 SPLIT LOCK WASHER	4
10	ED20040	M6 HEX NUT	4
11	ED20045	SQUARE NUT, 8MM, ZINC	2
12	ED20050	M8 LOCK WASHER	2
13	ED34802	SLIDE ASSEMBLY, W/HOOK	2
14	ED25038	M8 HEX CAP-1.25X20 ZINC	2
15A	ED34869	GROUND, DEFLECTOR, 2.6 FILTER	1
16	ED34866	GROUND, SHAKER TO MOTOR DECK	1
17	ED34876	M6 LOCK NUT	2
18	ED34955	PG 16 CABLE GRIP	1
19	ED34823	HOUSING SPACER, SMALL, RED	2
20A	ED34820	HOUSING SPACER, LARGE, RED	1
21A	ED34817A	M6 BLIND PEM	6
22A	ED25000	1/4" STAR WASHER	6
23A	ED3481701	M6X25 ALLEN HEAD SCREW	6
24A	ED30091	FILTER, 28 SQ/FT, 2.6M2	1
25A	ED34807	FILTER SHAKER INSERT, 2.6M	1
26	ED30091F	FILTER INSERT, 2.6M	1

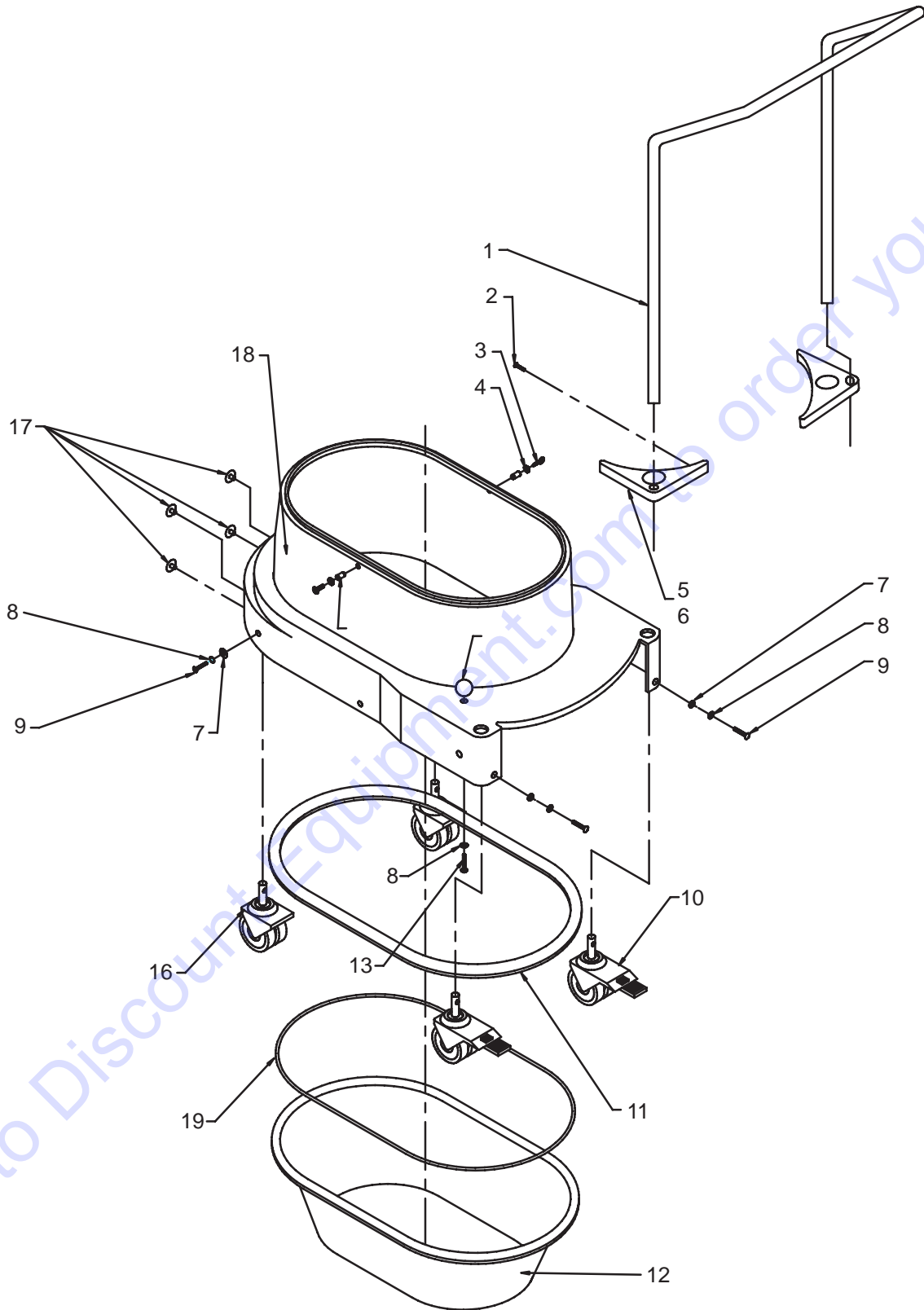
ILLUSTRATION #6 : HEPA FILTER & MINIHELIC ASSEMBLY



PARTS LISTING - ILLUSTRATION #6 : HEPA FILTER & MINIHELIC ASSEMBLY

ITEM #	PART #	DESCRIPTION	QTY
1	ED34817A	M6 BLIND PEM	6
2	ED25000	1/4" STAR WASHER, EXTERNAL	2
3	ED3481701	M6X25 ALLEN HEAD SCREW	2
4	ED35211	HEPA FILTER 40 SQ FOOT, WS, DS1	1
5	ED32903	M6X1.0 X 20 HEX CAP SCREW, ZINC	4
6	ED34947	HEPA ADAPTER PLATE, DS1	1
7	ED20039	M6 SPLIT LOCK WASHER	4
8	ED34949	HEPA HOLD DOWN BRACKET	4
9	ED34955	PG 16, CABLE GRIP	1
10	ED34820	HOUSING SPACER, LARGE, RED	1
11	ED34998	GROUND CONNECTION, FOR BOLT	2
12	ED25098	GASKET, ROUND, 10MM	1
13	ED25143	MINIHELIC, WITH MOUNTING	1
14	ED25149	HOSE BARB ,1/8 NPT X 1/8 BARB	1
15	ED34800	CLEAR HOSE, 1/8" ID 0.5	0.5

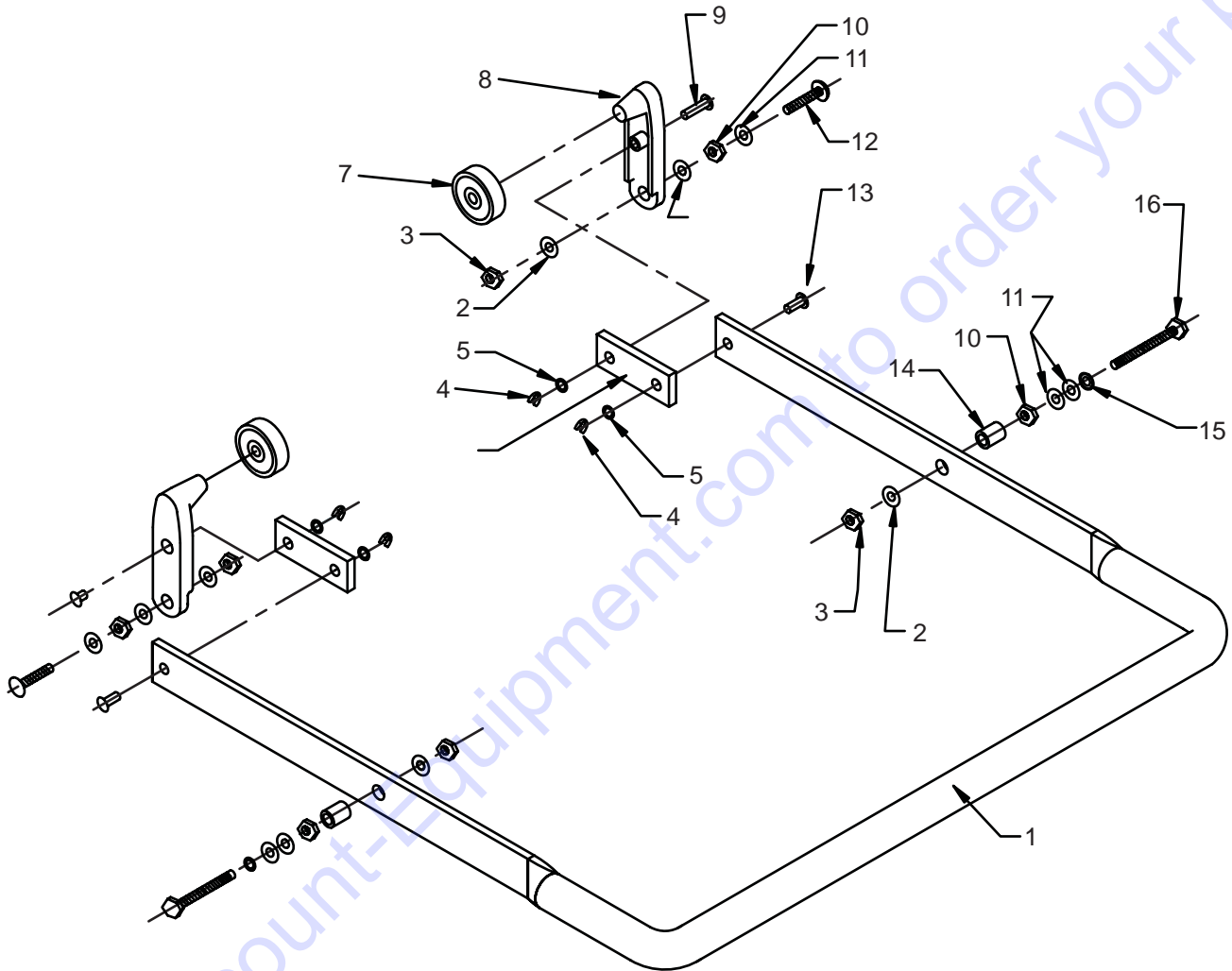
ILLUSTRATION #7 : BASE ASSEMBLY



PARTS LISTING - ILLUSTRATION #7 : BASE ASSEMBLY

ITEM #	PART #	DESCRIPTION	QTY
1	ED25080	PUSH HANDLE	1
2	ED32988	#8 X 1 PHIL TRUSS HEAD, ZINC	4
3	ED3481701	M6X25 ALLEN HEAD SCREW	2
4	ED25000	1/4" STAR WASHER	2
5	ED32039	HANDLE SUPPORT, PLASTIC	2
6	ED34809	HANDLE SUPPORT, ALUMINUM	2
7	ED34882	M8 FLAT WASHER	4
8	ED25037	M8 WASHER	5
9	ED25054	M8 X 25 HEX BOLT	4
10	ED25085	DUAL CASTERS, FIXED, 75MM, W/STUD	2
11	ED20070	GASKET, DUST PAN/LOWER HOUSING, 20X15MM	1
12	ED34813	DUST PAN, 35LTR, RED	1
13	ED25038	M8 HEX CAP-1.25X20 ZINC	1
14	ED25060	KNOB, BLACK, 8MM	1
15	ED34817A	M6 BLIND PEM	2
16	ED25084	DOUBLE CASTERS, SWIVEL, 75MM	2
17	ED22120	PLUG, 8MM, BLACK	4
18	ED34808	LOWER HOUSING, RED	1
19	ED2509865	DUST PAN REPLACEMENT GASKET	1

ILLUSTRATION #8 : DUST PAN LEVER ASSEMBLY

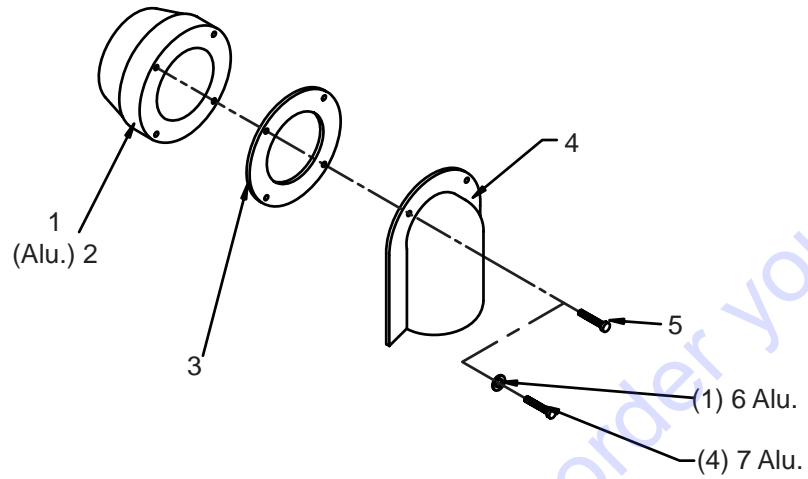


PARTS LISTING - ILLUSTRATION #8 : DUST PAN LEVER ASSEMBLY

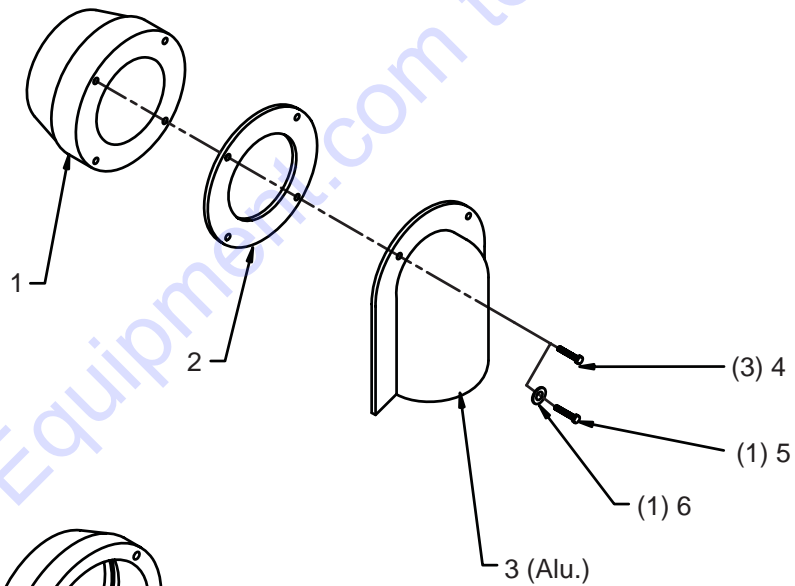
ITEM #	PART #	DESCRIPTION	QTY
1	ED20010	FOOT LEVER	1
2	ED25061	M8 FLAT WASHER, ZINC	6
3	ED30029	M8 LOCK NUT	4
4	ED34923	C SPRING CLIP	4
5	ED25067	M6 FLAT WASHER	4
6	ED20027	FLAT STEEL PIVOT	2
7	ED34853	DUST PAN LEVER BEARING	2
8	ED34852	DUST PAN TENSION LEVER	2
9	ED34922	PIN,D=6X 19MM	2
10	ED20044	M8 HEX NUT -8	4
11	ED34882	M8 FLAT WASHER	6
12	ED25053	M8 X 35 CARRIAGE SCREW	2
13	ED34921	PIN D6X15	2
14	ED34812	SPACER FOR FOOT LEVER	2
15	ED25037	M8 WASHER, EXTERNAL	2
16	ED34811	M8 HEX BOLT, X 55-8.8	2

ILLUSTRATION #9 : 50mm, 70mm & 100mm INLET ASSEMBLY

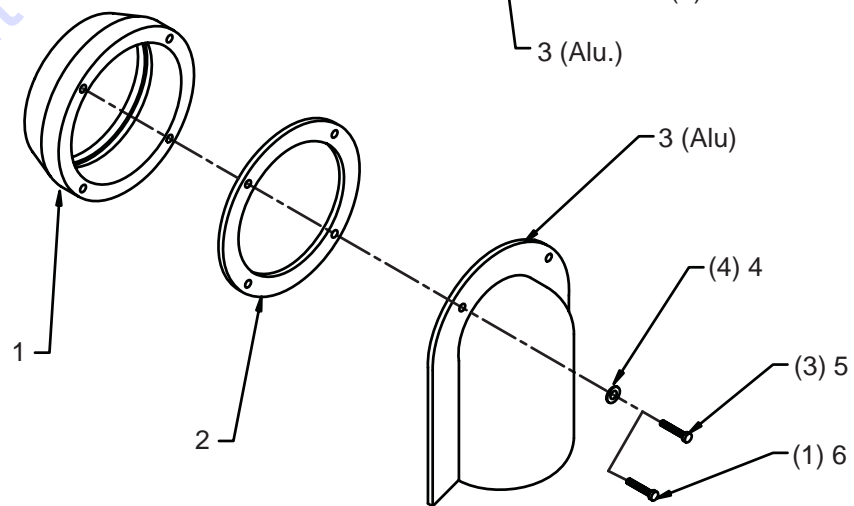
50mm



70mm



100mm



PARTS LISTING - ILLUSTRATION #9 : 50mm INLET ASSEMBLY

ITEM #	PART #	DESCRIPTION	QTY
1	ED31963	INLET, 50MM, GFK BLACK PLASTIC	1
2	ED20006	INLET, 50MM, ALUMINUM	1
3	ED34870	GASKET 50MM INLET	1
4	ED20021	INLET DEFLECTOR, 50MM, METAL	1
5	ED32988	#8 X 1 PHIL TRUSS HEAD, ZINC	4
6	ED20025	WASHER, STAR LOCKING, M4	1
7	ED25057	M4X20 SOCKET SCREW CAP	4

PARTS LISTING - ILLUSTRATION #9 : 70mm INLET ASSEMBLY

ITEM #	PART #	DESCRIPTION	QTY
1	ED30007	INLET, 70MM, ALUMINUM	1
2	ED34821	GASKET, 70MM INLET	1
3	ED30008	DEFLECTOR, 70MM, ALUMINUM	1
4	ED32866	M5-.8X30 SOCKET CAP, ALLEN HEAD	3
5	ED32863	M5-.8X20 SOCKET CAP SCREW	1
6	ED32867	32867 M5 EXT TOOTH LOCK WASHER ZINC	1

PARTS LISTING - ILLUSTRATION #9 : 100mm INLET ASSEMBLY

ITEM #	PART #	DESCRIPTION	QTY
1	ED35188	INLET, 100MM, ALUMINUM	1
2	ED34918	GASKET, 100MM INLET	1
3	ED35189	DEFLECTOR, 100MM, ALUMINUM	1
4	ED32867	M5 EXT TOOTH LOCK WASHER ZINC	4
5	ED32866	M5-.8X30 SOCKET CAP, ALLEN HEAD	3
6	ED32863	M5-.8X20 SOCKET CAP SCREW	1

PARTS FINDER

**Search Website
by Part Number**



**Search Manual
Library For Parts
Manual & Lookup Part
Numbers – Purchase
or Request Quote**

Search Manuals

Enter your information to help us find the right parts manual for your machine.

* Brand:

* Model:

* Serial:

* Part Number:

SEARCH

**Can't Find Part or
Manual? Request Help
by Manufacturer,
Model & Description**

Parts Order Form

Please fill in the following information to help us find the right part for your machine.

Manufacturer:	<input type="text"/>
Model:	<input type="text"/>
Description:	<input type="text"/>
Part Number:	<input type="text"/>
Quantity:	<input type="text"/>
Notes:	<input type="text"/>

Submit

Discount-Equipment.com is your online resource for quality parts & equipment.

Florida: **561-964-4949** Outside Florida TOLL FREE: **877-690-3101**

Need parts?

Click on this link: <http://www.discount-equipment.com/category/5443-parts/> and choose one of the options to help get the right parts and equipment you are looking for. Please have the machine model and serial number available in order to help us get you the correct parts. If you don't find the part on the website or on one of the online manuals, please fill out the request form and one of our experienced staff members will get back to you with a quote for the right part that your machine needs.

We sell worldwide for the brands: Genie, Terex, JLG, MultiQuip, Mikasa, Essick, Whiteman, Mayco, Toro Stone, Diamond Products, Generac Magnum, Airman, Haulotte, Barreto, Power Blanket, Nifty Lift, Atlas Copco, Chicago Pneumatic, Allmand, Miller Curber, Skyjack, Lull, Skytrak, Tsurumi, Husquvarna Target, Stow, Wacker, Sakai, Mi-T-M, Sullair, Basic, Dynapac, MBW, Weber, Bartell, Bennar Newman, Haulotte, Ditch Runner, Menegotti, Morrison, Contec, Buddy, Crown, Edco, Wyco, Bomag, Laymor, EZ Trench, Bil-Jax, F.S. Curtis, Gehl Pavers, Heli, Honda, ICS/PowerGrit, IHI, Partner, Imer, Clipper, MMD, Koshin, Rice, CH&E, General Equipment, Amida, Coleman, NAC, Gradall, Square Shooter, Kent, Stanley, Tamco, Toku, Hatz, Kohler, Robin, Wisconsin, Northrock, Oztec, Toker TK, Rol-Air, APT, Wylie, Ingersoll Rand / Doosan, Innovatech, Con X, Ammann, Mecalac, Makinex, Smith Surface Prep, Small Line, Wanco, Yanmar