



# PARTS LIST MANUAL BAGGER VAC-200



## 200 CFM HEPA 2.0 DIRECT BAGGING VACUUM

PART #

MODEL #

POWER OPTION

ED33125HCONDB

WNS2220-DB

DUAL MOTORS, 3.2 HP 120V



# PARTS FINDER

**Search Website  
by Part Number**



**Search Manual  
Library For Parts  
Manual & Lookup Part  
Numbers – Purchase  
or Request Quote**

**Search Manuals**

Enter your information to help us find the right parts manual for your machine.

\* Brand:

\* Model:

\* Serial:

\* Part Number:

SEARCH

**Can't Find Part or  
Manual? Request Help  
by Manufacturer,  
Model & Description**

**Parts Order Form**

Please fill in the following information to help us find the right part for your machine.

Manufacturer:	<input type="text"/>
Model:	<input type="text"/>
Description:	<input type="text"/>
Part Number:	<input type="text"/>
Quantity:	<input type="text"/>
Notes:	<input type="text"/>

Discount-Equipment.com is your online resource for quality parts & equipment.

Florida: **561-964-4949** Outside Florida TOLL FREE: **877-690-3101**

**Need parts?**

Click on this link: <http://www.discount-equipment.com/category/5443-parts/> and choose one of the options to help get the right parts and equipment you are looking for. Please have the machine model and serial number available in order to help us get you the correct parts. If you don't find the part on the website or on one of the online manuals, please fill out the request form and one of our experienced staff members will get back to you with a quote for the right part that your machine needs.

We sell worldwide for the brands: Genie, Terex, JLG, MultiQuip, Mikasa, Essick, Whiteman, Mayco, Toro Stone, Diamond Products, Generac Magnum, Airman, Haulotte, Barreto, Power Blanket, Nifty Lift, Atlas Copco, Chicago Pneumatic, Allmand, Miller Curber, Skyjack, Lull, Skytrak, Tsurumi, Husquvarna Target, Stow, Wacker, Sakai, Mi-T-M, Sullair, Basic, Dynapac, MBW, Weber, Bartell, Bennar Newman, Haulotte, Ditch Runner, Menegotti, Morrison, Contec, Buddy, Crown, Edco, Wyco, Bomag, Laymor, EZ Trench, Bil-Jax, F.S. Curtis, Gehl Pavers, Heli, Honda, ICS/PowerGrit, IHI, Partner, Imer, Clipper, MMD, Koshin, Rice, CH&E, General Equipment, Amida, Coleman, NAC, Gradall, Square Shooter, Kent, Stanley, Tamco, Toku, Hatz, Kohler, Robin, Wisconsin, Northrock, Oztec, Toker TK, Rol-Air, APT, Wylie, Ingersoll Rand / Doosan, Innovatech, Con X, Ammann, Mecalac, Makinex, Smith Surface Prep, Small Line, Wanco, Yanmar

## READ AND UNDERSTAND THE OPERATORS INSTRUCTION MANUAL THOROUGHLY BEFORE ATTEMPTING TO OPERATE THIS EQUIPMENT.



**Death or serious injury could occur if this machine is used improperly.**



### SAFETY MESSAGES

- Safety Instructions are preceded by a graphic alert symbol of DANGER, WARNING, or CAUTION.



Indicates an imminent hazard which, if not avoided, will result in death or serious injury.



Indicates an imminent hazard which, if not avoided, can result in death or serious injury.



Indicates hazards which, if not avoided, could result in serious injury and or damage to the equipment.

### GASOLINE/PROPANE POWERED EQUIPMENT



- Engine exhaust from this product contains chemicals known to the State of California to cause cancer, birth defects or other reproductive harm.



- Gasoline is extremely flammable and poisonous. It should only be dispensed in well ventilated areas, and with a cool engine.

- Small gasoline engines produce high concentrations of carbon monoxide (CO) example: a 5 HP 4 cycle engine operation in an enclosed 100,000 cu. ft. area with only one change of air per hour is capable of providing deadly concentrations of CO in less than fifteen minutes. Five changes of air in the same area will produce noxious fumes in less than 30 minutes. Gasoline or propane powered equipment should not be used in enclosed or partially enclosed areas. Symptoms of CO poisoning include, headache, nausea, weakness, dizziness, visual problems and loss of consciousness. If symptoms occur - get into fresh air and seek medical attention immediately.

### ELECTRICAL POWERED EQUIPMENT



Extreme care must be taken when operating electric models with water present: Ensure power cord is properly grounded, is attached to a Ground-Fault-Interrupter (GFI) outlet, and is undamaged.

- Check all electrical cables - be sure connections are tight and cable is continuous and in good condition. Be sure cable is correctly rated for both the operating current and voltage of this equipment.
- Improper connection of the equipment-grounding conductor can result in a risk of electric shock. Check with qualified electrician or service person if there is any doubt as to whether the outlet is properly grounded. Adhere to all local codes and ordinances.
- **NOTE:** In the event of a malfunction or breakdown, grounding provides a path of least resistance for the electric current to dissipate. The motor is equipped with a grounded plug and must be connected to an outlet that is properly installed and properly grounded. DO NOT modify the plug provided on the motor. If the plug does not fit the outlet have a qualified electrician install the proper receptacle.
- Switch motor OFF **before** disconnecting power.

- Do not disconnect power by pulling cord. To disconnect, grasp the plug, not the cord.
- Unplug power cord at the machine when not in use and before servicing.

### GENERAL INSTRUCTIONS


- Equipment should only be operated by trained personnel in good physical condition and mental health (not fatigued). The operator and maintenance personnel must be physically able to handle the bulk weight and power of this equipment.
- This is a one person tool. Maintain a safe operating distance to other personnel. It is the **operators' responsibility** to keep other people (workers, pedestrians, bystanders, etc.) away during operation. Block off the work area in all directions with roping, safety netting, etc. for a safe distance. Failure to do so may result in others being injured by flying debris or exposing them to harmful dust and noise.
- This equipment is intended for commercial use only.
- For the operator's safety and the safety of others, always keep all guards in place during operation.
- Never let equipment run unattended.



- Personal Protection Equipment and proper safety attire must be worn when operating this machinery. The operator must wear approved safety equipment appropriate for the job such as hard hat and safety shoes when conditions require. Hearing protection **MUST** be used (operational noise levels of this equipment may exceed 85db). Eye protection **MUST** be worn at all times.



Keep body parts and loose clothing away from moving parts. Failure to do so could result in dismemberment or death.

- Do not modify the machine.
  - Stop motor/engine when adjusting or servicing this equipment.
-  Maintain a safe operating distance from flammable materials. Sparks from the cutting-action of this machine can ignite flammable materials or vapors.

### DUST WARNING



Some dust created by power sanding, sawing, grinding, drilling, and other construction activities contains chemicals known to cause cancer, birth defects, or other reproductive harm. Some examples of these chemicals are:

- Lead from lead-based paints, and
- Crystalline silica from bricks and concrete and other masonry products.

Your risk of exposure to these chemicals varies depending on how often you do this type of work. To reduce your risk: work in a well ventilated area, use a dust control system, such as an industrial-style vacuum, and wear approved personal safety equipment, such as a dust/particle respirator designed to filter out microscopic particles.

# PARTS LIST MANUAL

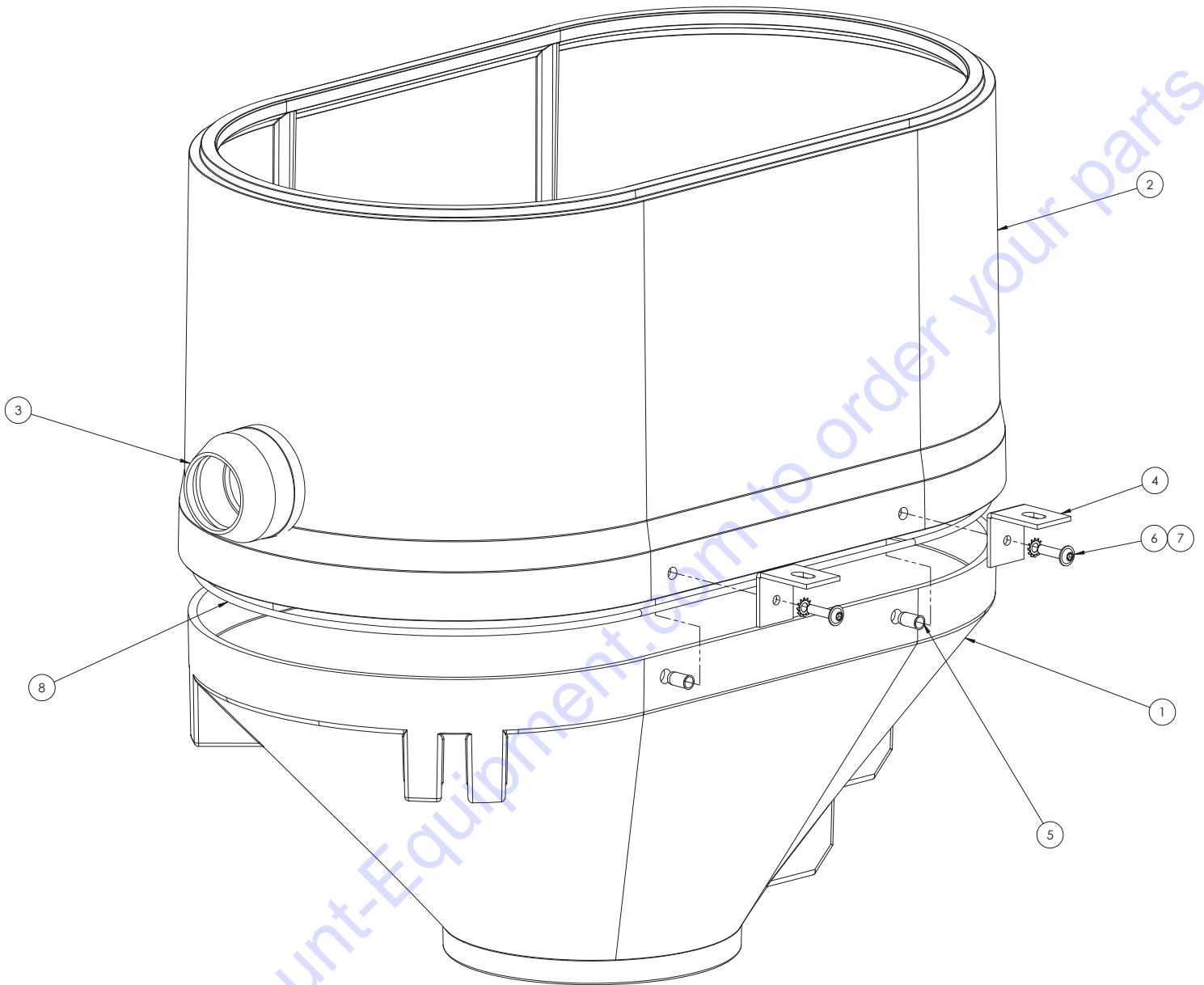
## BAGGER VAC-200

### 200 CFM HEPA 2.0 DIRECT BAGGING VACUUM

#### TABLE OF CONTENTS

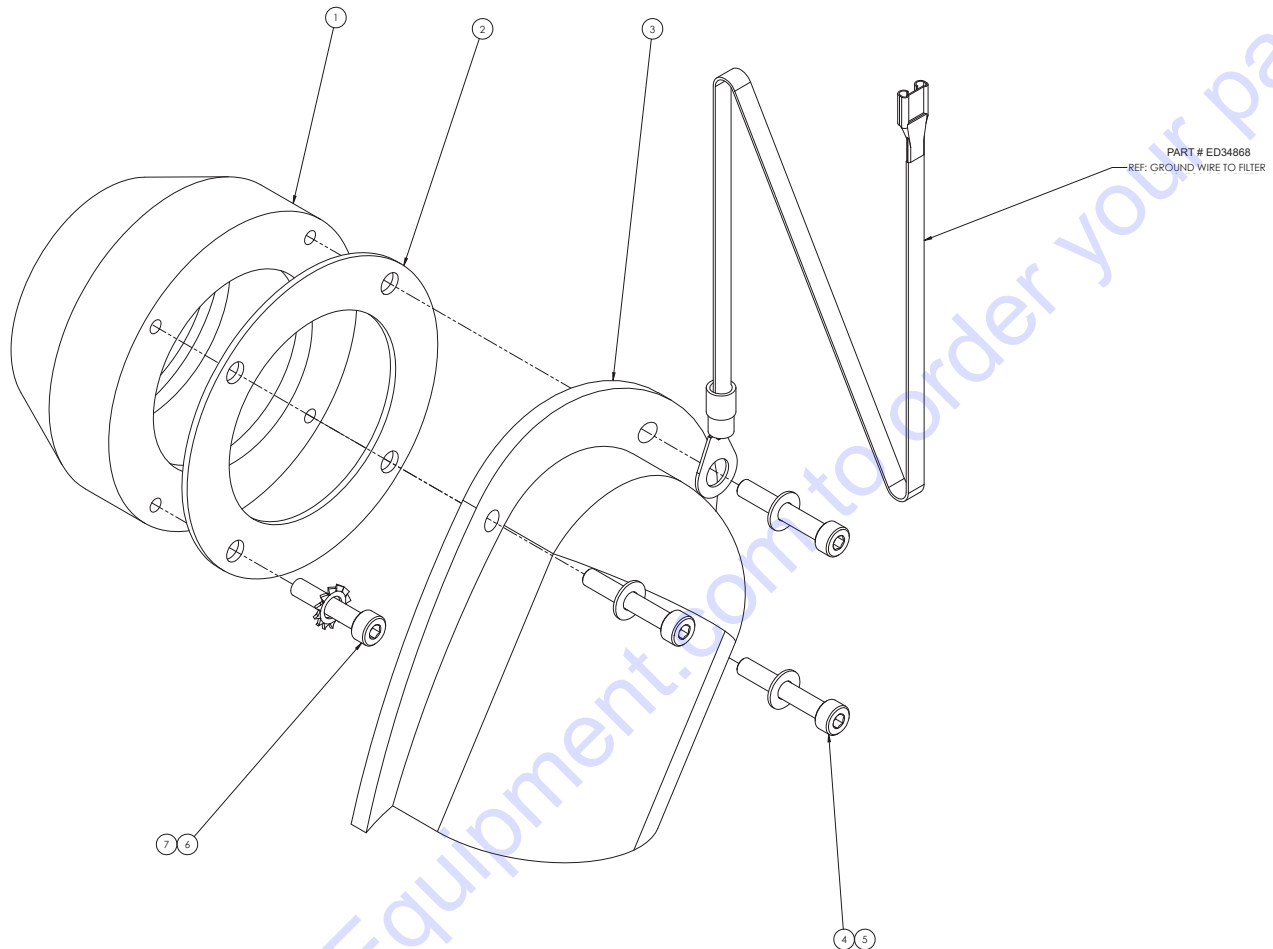
<u>Section</u>	<u>Page Number</u>
Safety Messages and General Instructions .....	2
How To Order Replacement Parts .....	3
Illustration 1: Direct Bagger Silo Assembly .....	4
Illustration 2: 50mm Inlet Assembly .....	5
Illustration 3: Direct Bagger Frame Assembly .....	6, 7
Illustration 4: Direct Bagger Assembly .....	8, 9
Illustration 5: 1.2M Filter & Manual Shaker Assembly .....	10, 11
Illustration 6: Motor Deck Assembly .....	12, 13
Illustration 7: Motor Head Assembly, 120V, 1200 Watt .....	14, 15
Illustration 8: HEPA 2.0 Filter Assembly .....	16
Illustration 9: Hose, Wand and Floor Tool .....	17
Decal Sheet .....	18
Limited Equipment Warranty of Sale - Terms & Conditions .....	19

## ILLUSTRATION 1: DIRECT BAGGER SILO ASSEMBLY



ITEM #	PART #	DESCRIPTION	QTY.
1	ED21497	CONE, D1W2, 200MM OPENING, RED	1
2	ED34820006	HOUSING SPACER, LRG, RED, 50MM INLET, DB	1
3	ED20006AS	INLET ASM, 50MM ALU, SILO (REFER TO ILLUS. 2 FOR BREAKDOWN)	1
4	ED565053	BENT SILO SUPPORT	4
5	ED34817A	M6 BLIND PEM	4
6	ED3481701	SCREW, BH SOC, FLANGED, M6 X 25	4
7	ED25000	WASHER, EXT. STAR 1/4"	4
8	ED31376	GASKET, 3/16 DIA., 6FT. PIECE	1

## ILLUSTRATION 2: 50mm INLET ASSEMBLY

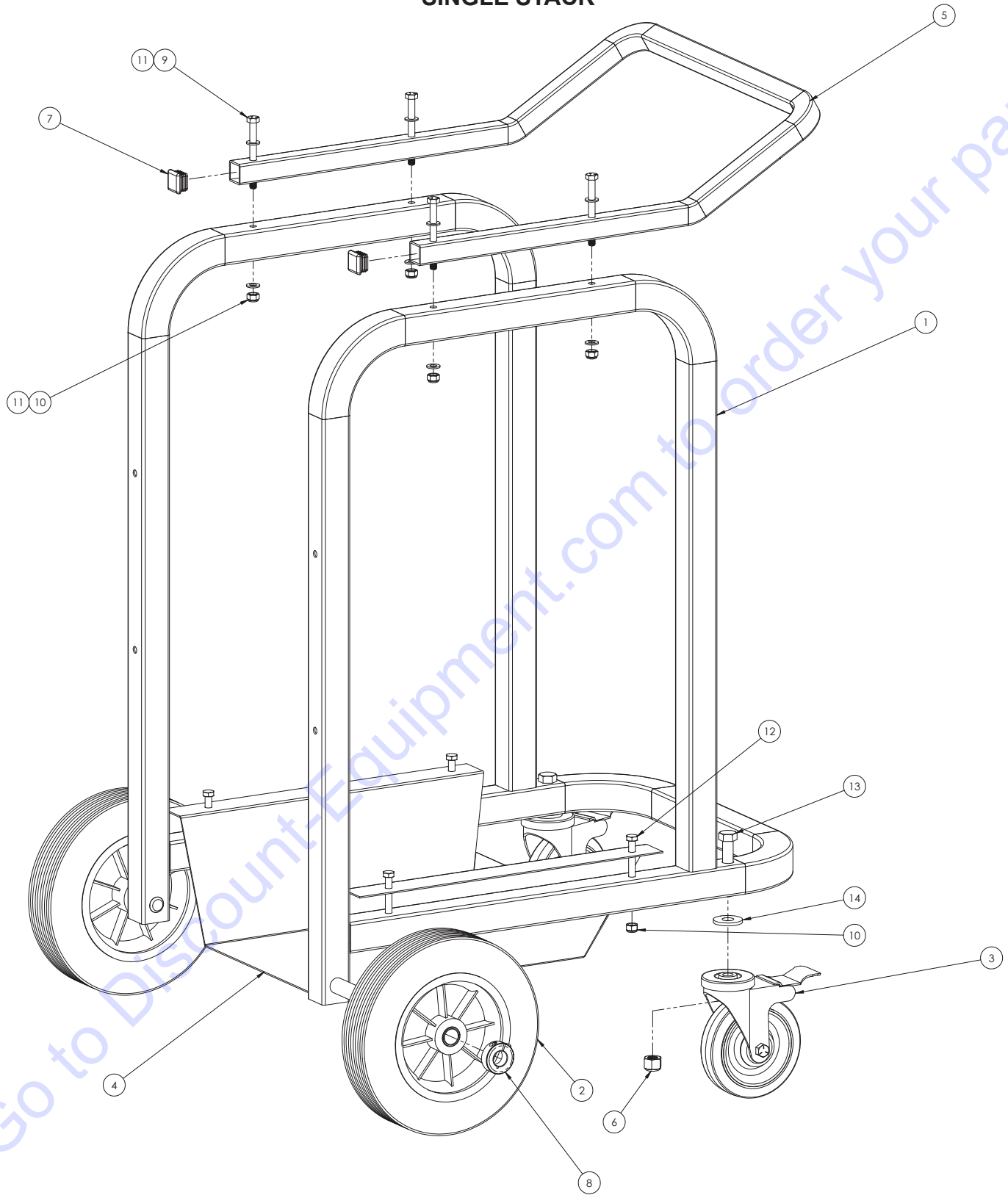


ITEM #	PART #	DESCRIPTION	QTY.
1	ED20006	INLET, 50MM, ALUMINUM	1
2	ED34870	GASKET 50MM INLET	1
3	ED20021	DEFLECTOR, 50MM, ALUMINUM	1
4	ED32870	SCREW, SOC HD CAP M4 X 25 ZINC	3
5	ED328667	WASHER, FLAT, M4, DIN 125, ZINC	3
6	ED25057	SCREW, SOC HD CAP M4 X 20 ZINC	1
7	ED32867	WASHER, EXT. STAR, M5, ZINC	1



# ILLUSTRATION 3: DIRECT BAGGER FRAME ASSEMBLY

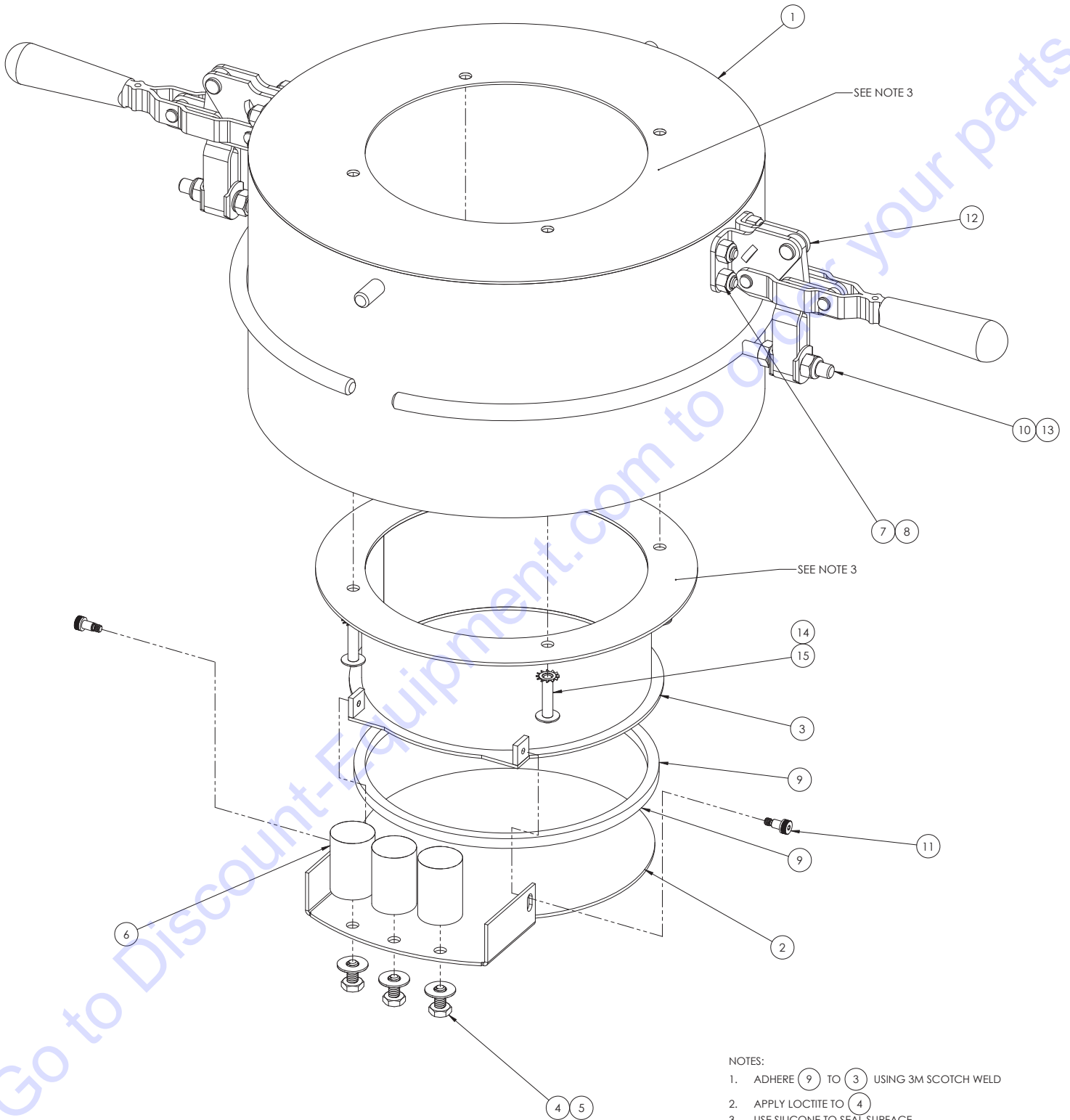
## SINGLE STACK



<b>PARTS LISTING - ILLUSTRATION 3: DIRECT BAGGER FRAME ASSEMBLY</b>			
ITEM #	PART #	DESCRIPTION	QTY.
1	ED565301	DIRECT BAGGER FRAME, SINGLE STACK	1
2	ED31848	CASTER, 10IN X 2.75, SOLID TIRE	2
3	ED30204	CASTER, SWIVEL, 5IN, BRAKE, BOLT HOLE, SES	2
4	ED565303	DIRECT BAGGER FRAME, BAG TRAY	1
5	ED565304	SQUARE HANDLE BAR, DB FRAME	1
6	ED500045	LOCK NUT 1/2-13	2
7	ED8010	END CAP, PLASTIC PLUG, 1IN X .095IN, SERRATED	2
8	ED31801	SHAFT COLLAR, .75IN	2
9	ED312505	BOLT, HEX HEAD, 5/16-18, 3.25LG, ZINC	4
10	ED31202	5/16-18 LOCK NUT	8
11	ED25061	WASHER, FLAT, M8, DIN125, ZINC	8
12	ED31211	BOLT, HEX, 5/16-18 X 2"	4
13	ED500010	BOLT, HEX HEAD, 1/2-13, 2.75LG, ZINC	2
14	ED50001	FLAT WASHER 1/2"	2



# ILLUSTRATION 4: DIRECT BAGGER ASSEMBLY

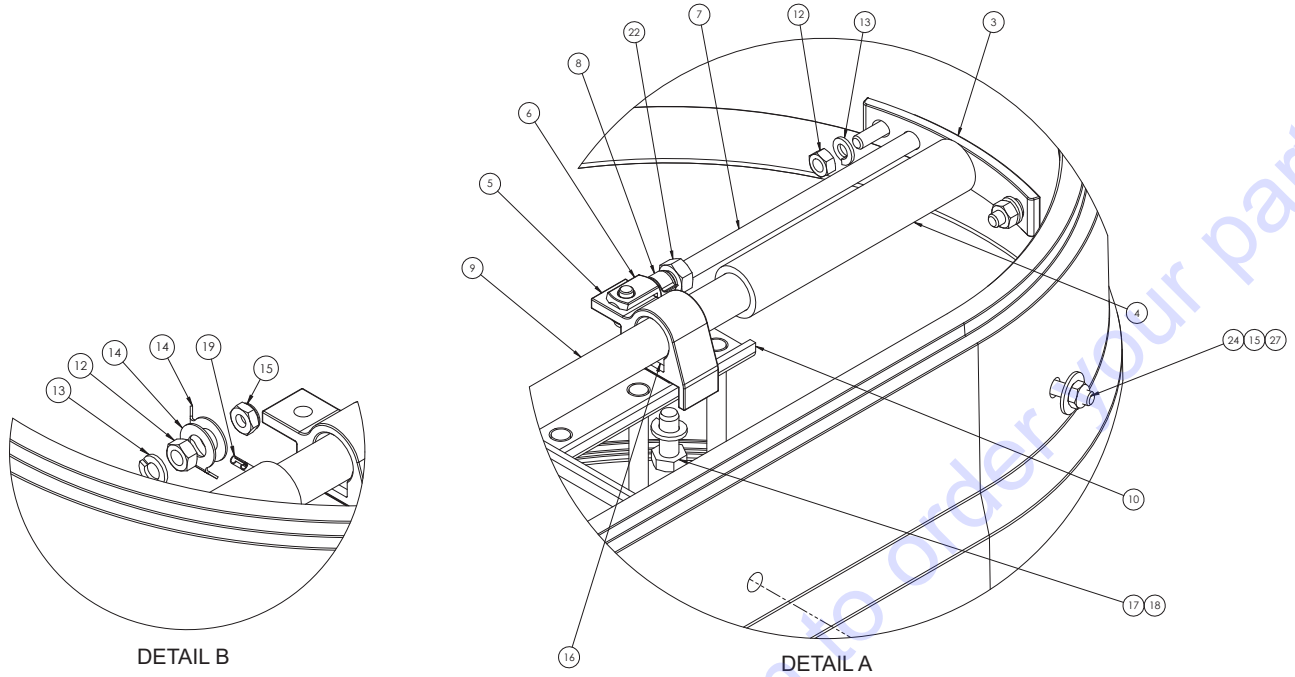


- NOTES:
- 1. ADHERE (9) TO (3) USING 3M SCOTCH WELD
  - 2. APPLY LOCTITE TO (4)
  - 3. USE SILICONE TO SEAL SURFACE



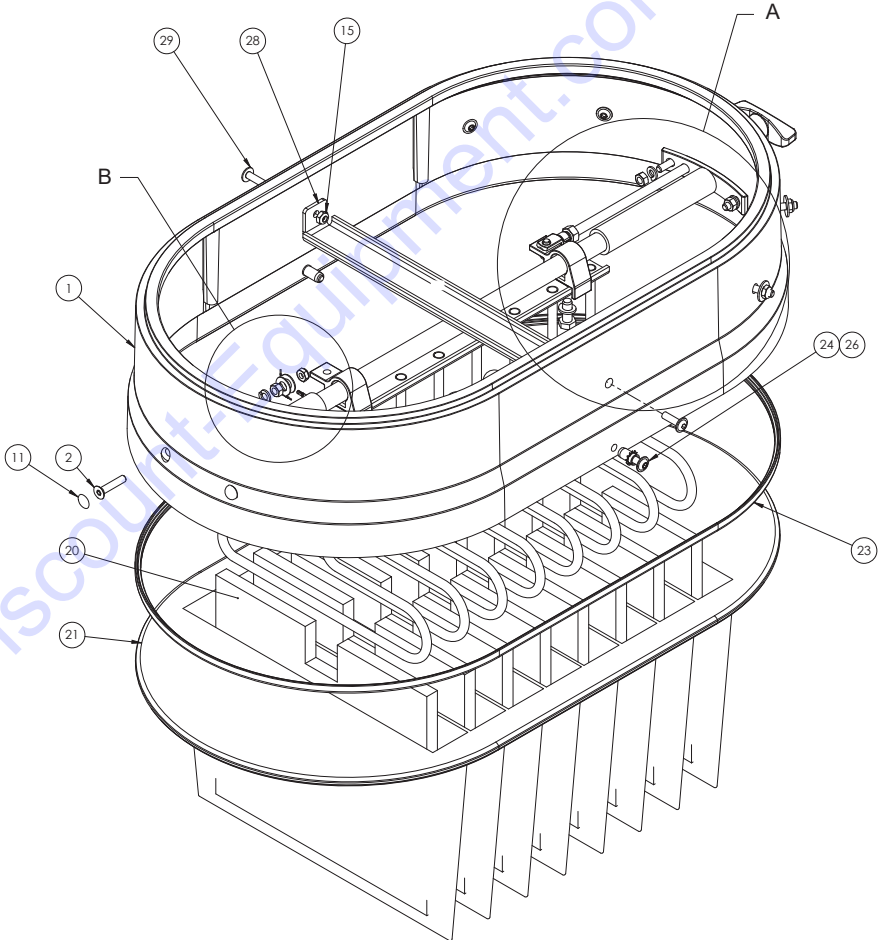
<b>PARTS LISTING - ILLUSTRATION 4: DIRECT BAGGER ASSEMBLY</b>			
ITEM #	PART #	DESCRIPTION	QTY.
1	ED970540	DIRECT BAGGER, DROP BODY BARREL	1
2	ED970542	LID, DROP BODY, LONGOPAC	1
3	ED970541	CHUTE, DROP BODY, LONGOPAC	1
4	ED25003	HEX BOLT 1/4-20, .5LG	3
5	ED200180	WASHER, FLAT .25 (.688OD) SS	3
6	ED970543	DIRECT BAGGER, COUNTER WEIGHT	3
7	ED250025	NUT, LOCK 1/4-20	8
8	ED250030	BOLT HEX 1/4-20 X 5/8"	8
9	ED250984	SQUARE GASKET, .25, NITRILE	1
10	ED970545	CLAMP EXTENSION, DB GRAVITY DROP CLAMP	2
11	ED25066	SCREW, SHOULDER, 8-32	2
12	ED9014101	CLAMP, TOGGLE, DE STA CO	2
13	ED31202	5/16-18 LOCK NUT	4
14	ED25000	WASHER, EXT. STAR 1/4"	4
15	ED3481701	SCREW, SOC BH, FLANGED, M6 X 25	4

# ILLUSTRATION 5: 1.2M FILTER & MANUAL SHAKER ASSEMBLY



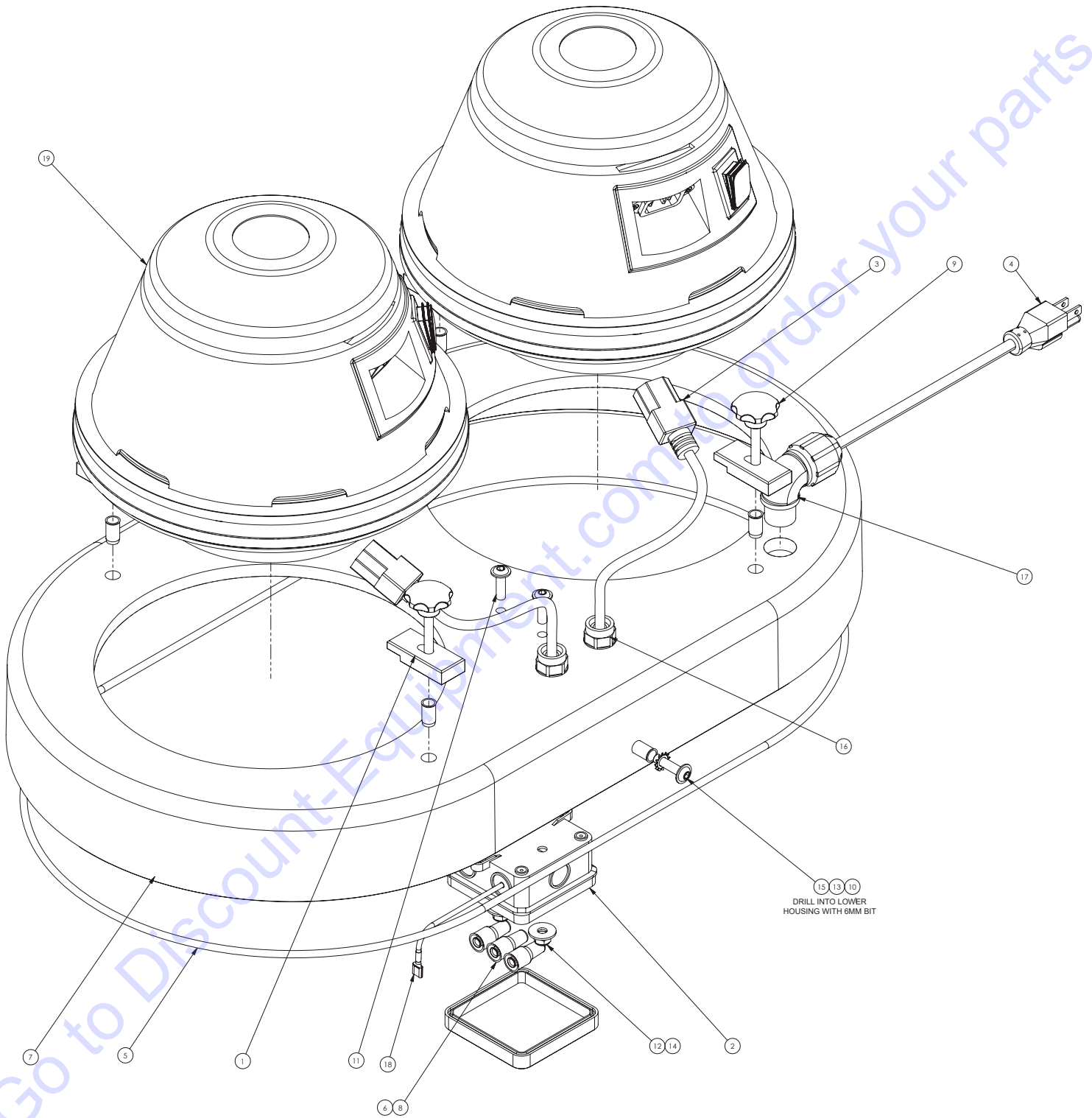
DETAIL B

DETAIL A



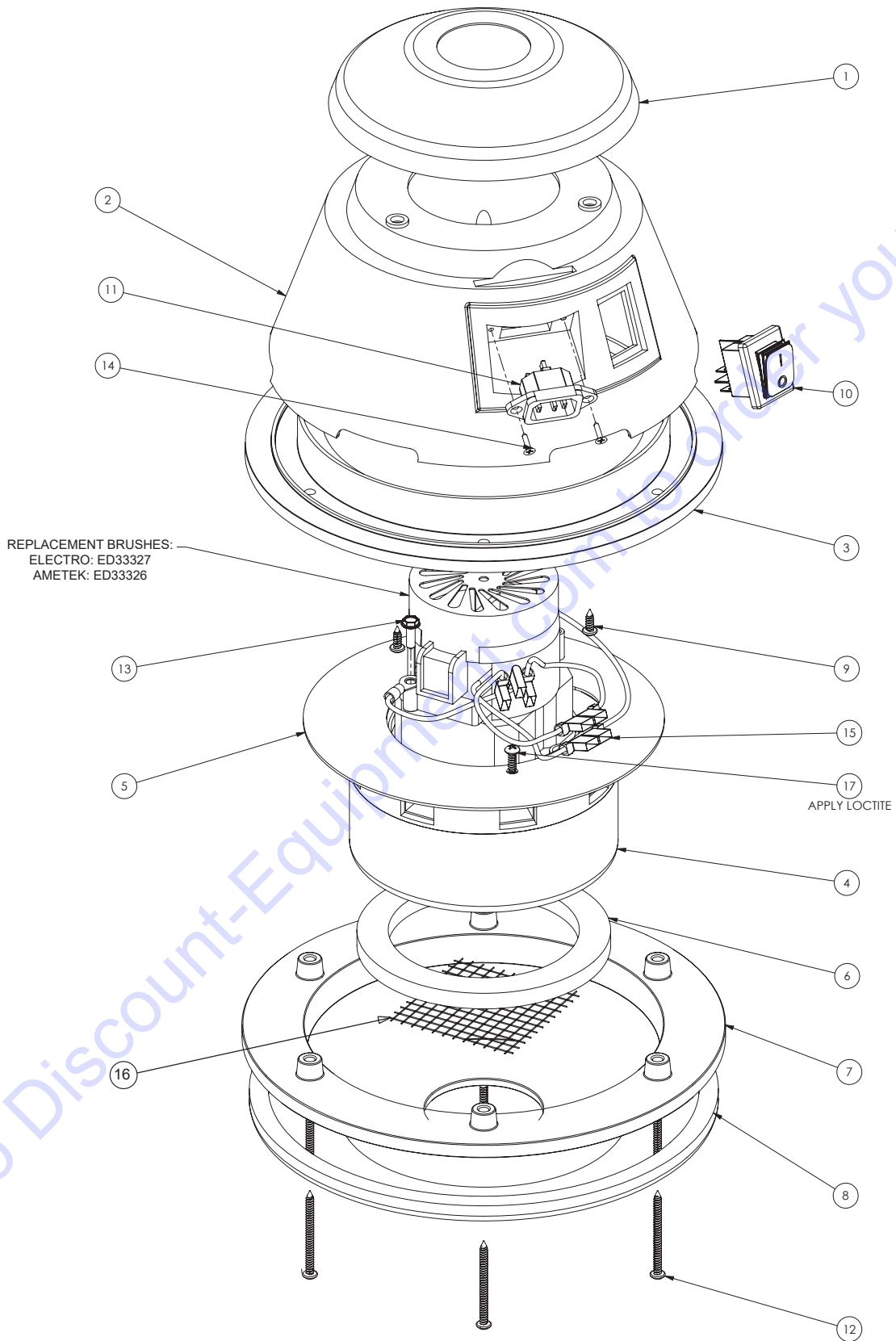
<b>PARTS LISTING - ILLUSTRATION 5: 1.2M FILTER ASSEMBLY &amp; MANUAL SHAKER</b>			
<b>ITEM #</b>	<b>PART #</b>	<b>DESCRIPTION</b>	<b>QTY.</b>
1	ED34823002	HOUSING SPACER, PORT, SMALL, RED	1
2	ED34815	SCREW, SOC FH CAP M6 X 30	4
3	ED34806	SHAKER ROD MOUNTING SUPPORT	2
4	ED34805	HOSE, 3/4 ID CLEAR	2
5	ED34802	SLIDE ASSEMBLY, W/ HOOK	2
6	ED25047	CLEVIS, DIN 71752G, STEEL	1
7	ED22565	SHAKER BAR W/ SWIVEL HANDLE	1
8	ED34879	SPRING CLIP, 6 X 12, CLEVIS YOKE	1
9	ED34804	SLIDE BAR, FILTER MANUAL SHAKER	1
10	ED25056	FILTER SUPPORT WELDMENT, 1.2M	1
11	ED34871	PLASTIC PLUG 4.5/13	4
12	ED20040	NUT, HEX, M6-8, DIN 934, ZINC	4
13	ED20039	WASHER, SPLIT LOCK, M6 DIN 7980	4
14	ED34998	GROUND CONNECTION, FOR BOLT	2
15	ED34876	NUT, LOCK M6 ZINC	7
16	ED20045	NUT, SQUARE, M8, ZINC	2
17	ED25038	BOLT, HEX, M8 X 20, DIN 933, ZINC	2
18	ED20050	WASHER, SPLIT LOCK, M8	2
19	ED34868	GROUND WIRE, FILTER TO DEFLECTOR	1
20	ED20091F	FILTER INSERT, 1.2M	8
21	ED20091	FILTER, 13 SQ/FT, 1.2M	1
22	ED20044	NUT, HEX M8-8, DIN 934, ZINC	1
23	ED3137766	GASKET, NITRILE SPONGE FOR D1	1
24	ED3481701	SCREW, BH SOC, FLANGED, M6 X 25	6
25	ED34817A	M6 BLIND PEM	2
26	ED25000	WASHER, EXT. STAR 1/4"	2
27	ED34819	WASHER, FENDER, M6	4
28	ED30095	FILTER BAR SUPPORT, DS1/W2	1
29	ED34817	SCREW, SOC BH, ULS, M6 X 20	2

**ILLUSTRATION 6: MOTOR DECK ASSEMBLY**



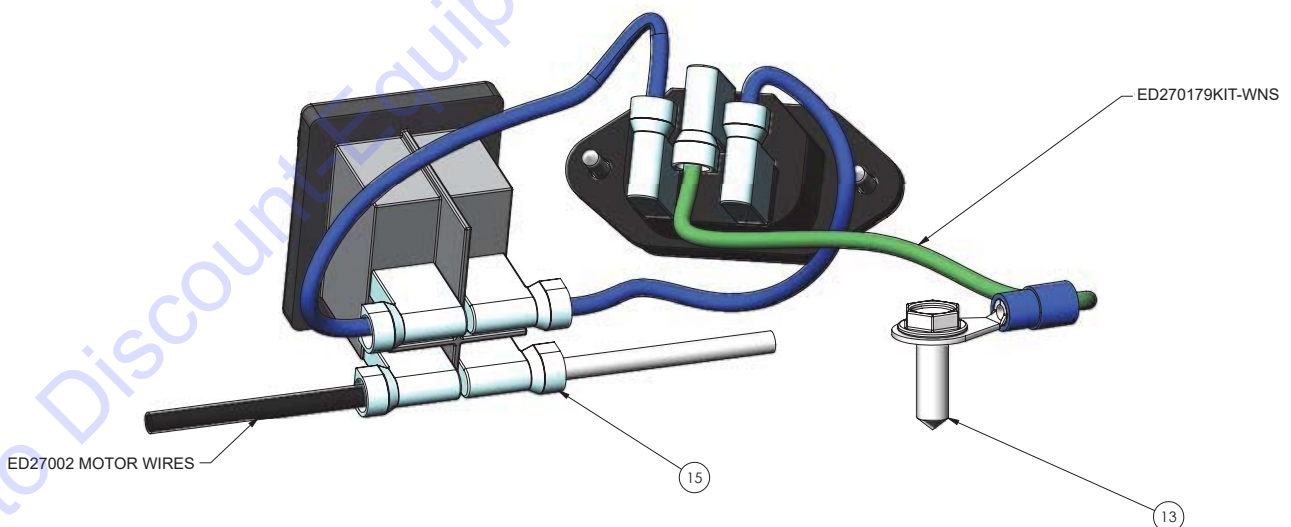
<b>PARTS LISTING - ILLUSTRATION 6: MOTOR DECK ASSEMBLY</b>			
ITEM #	PART #	DESCRIPTION	QTY.
1	ED20020	MOTOR HOLD DOWN BRACKET	4
2	ED32999	JUNCTION BOX, ELECTRICAL, GREY	1
3	ED25210	FEMALE IEC PLUG W/12" WIRE	2
4	ED2005531	POWER CORD, 12/3 SJO W/MOLDED PLUG	1
5	ED31376	GASKET 3/16 DIA. FOR MOTOR LID	1
6	ED21092-1	INSULATOR, GAS EX, BRASS	3
7	ED90223WNS	MOTOR DECK, RED, DS1	1
8	ED21092	WIRE NUT, GAS EX, CRIMP ON	3
9	ED26603	KNOB FOR MOTOR HOLD DOWN, M6	4
10	ED34817A	M6 BLIND PEM	6
11	ED34817	SCREW, SOC BH, ULS, M6 X 20	2
12	ED34876	NUT, LOCK M6 ZINC	2
13	ED25000	WASHER, EXT. STAR 1/4"	2
14	ED34819	WASHER, FENDER, M6	2
15	ED3481701	SCREW, BH SOC, FLANGED, M6 X 25	2
16	ED34960	PG 09 CABLE GRIP	2
17	ED34961	STRAIN RELIEF, 90, 1/2", BLACK	1
18	ED270179KIT-WNS	GROUND, PART OF WIRE KIT FOR WNS	1
19	ED27001A	MOTOR HEAD, COMPLETE (REFER TO ILLUS. 6 FOR BREAKDOWN)	2

**ILLUSTRATION 7: MOTOR HEAD ASSEMBLY, 120V, 1200 WATT**





PARTS LISTING - ILLUSTRATION 7: MOTOR HEAD ASSEMBLY, 120V, 1000 WATT			
ITEM #	PART #	DESCRIPTION	QTY.
1	ED27015	HOUSING COVER, SINGLE MOTOR	1
2	ED27014	MOTOR HOUSING, SINGLE MOTOR	1
3	ED8004	SUPPORT RING, SINGLE MOTOR	1
4	ED27002	MOTOR, 120V, 1200 WATT	1
	ED33327	REPLACEMENT BRUSHES: BRUSH SET, ELECTRO MOTOR	1
	ED33326	BRUSH SET, AMETEK MOTOR	1
5	ED27007	SEPARATOR PLATE, WNS MOTOR HEAD	1
6	ED2509811R	MOTOR HEAD GASKET	1
7	ED27001	MOTOR HEAD, ALUMINUM	1
8	ED27004	GASKET FOR MOTOR HEAD, WNS	1
9	ED27012	SCREW #8 X 1/2" PHIL PAN HEAD, ZINC	3
10	ED27017	SWITCH, ROCKER, 1000/1200W	1
11	ED25211	MALE IEC PLUG	1
12	ED27003	SCREW #8 X 2" PHIL PAN HEAD, ZINC	6
13	ED32989	HEX WASHER TEX SCREW, #10-16, .625LG	1
14	ED27011	SCREW, #6 X 0.5	2
15	ED31715	TERMINAL, 90 DEG, 16-14 GA. BLUE	2
16	ED8021	PROTECTION SCREEN, MOTOR HEAD	1
17	ED25064	SCREW PHIL PH #8 X 5/8" ZINC	2

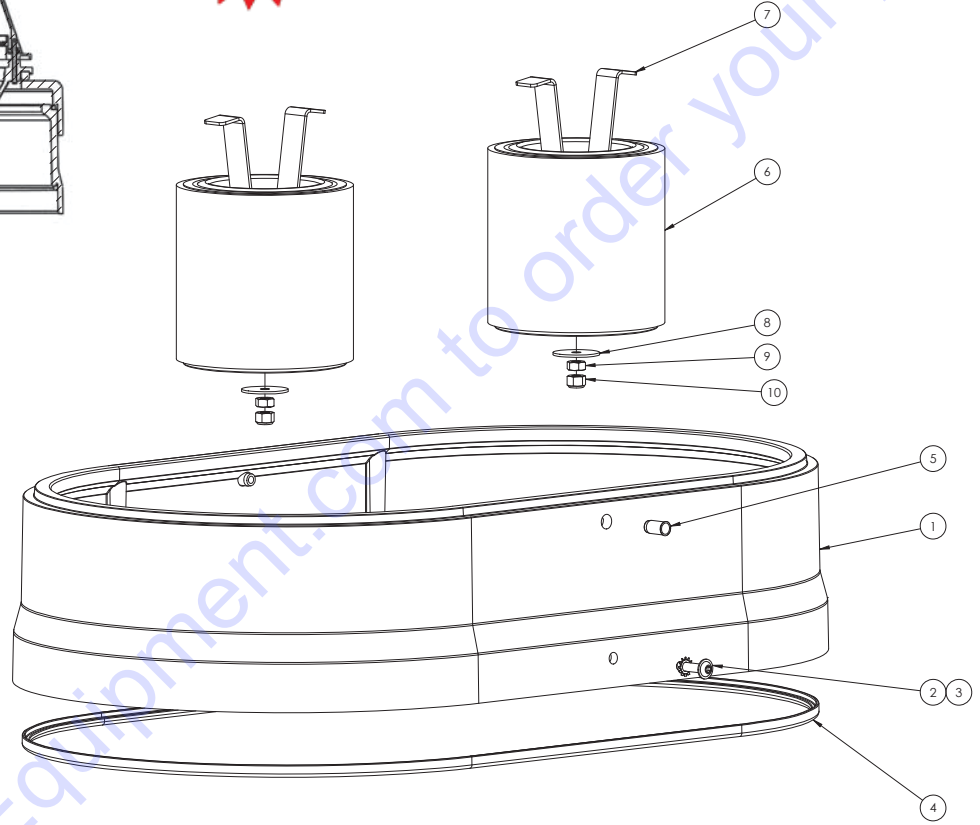
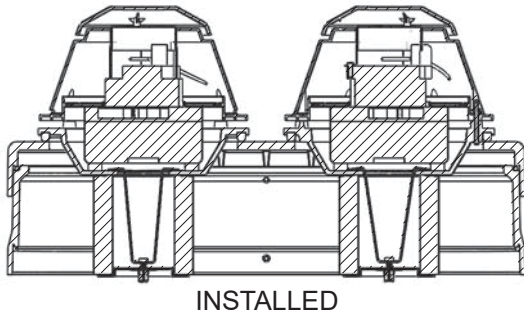


## WIRE DIAGRAM

**ILLUSTRATION 8: HEPA 2.0 FILTER MODULE**

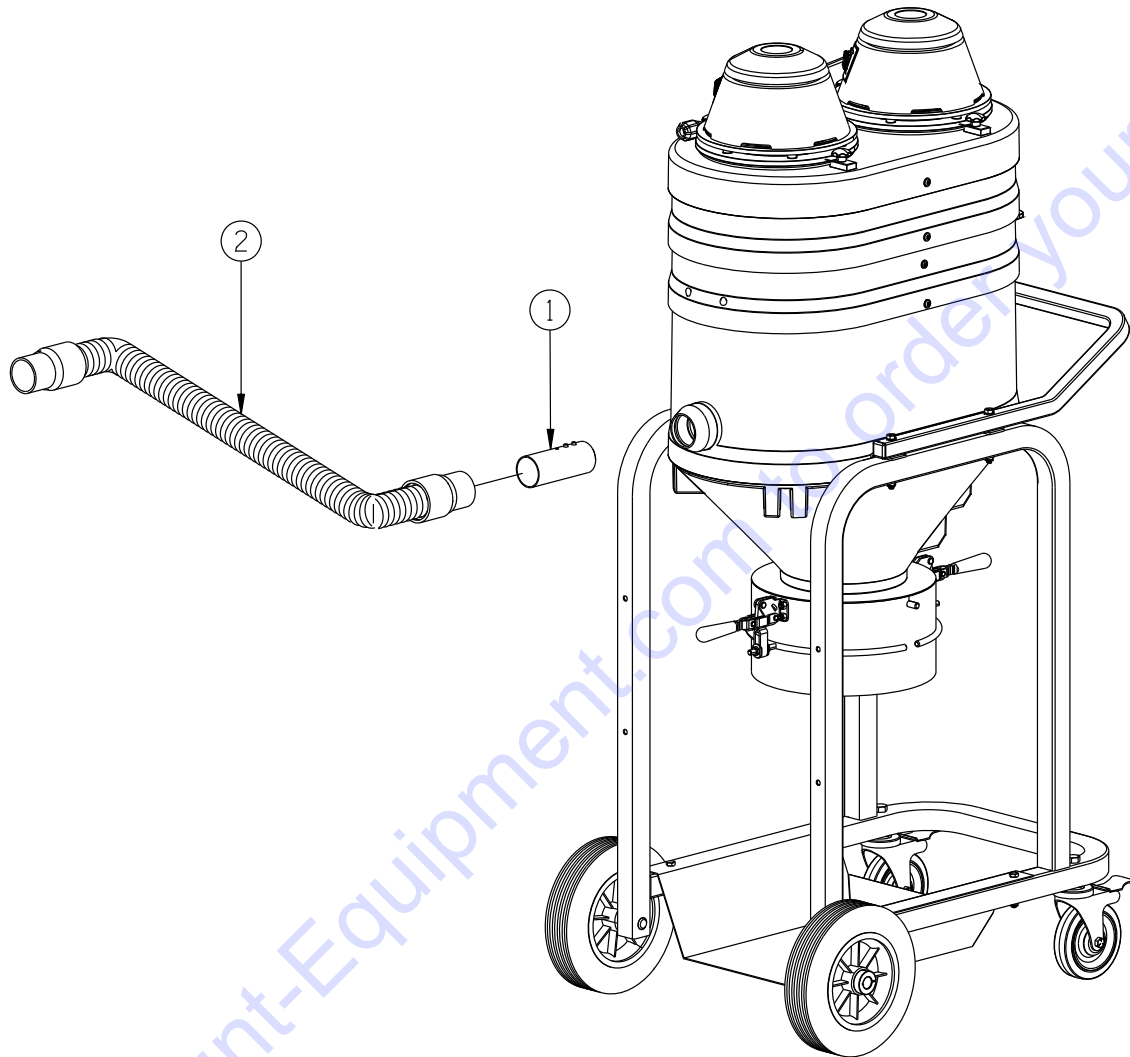
SILICA COMPLIANT

*Meets and Exceeds OSHA Respiratory Standards*



ITEM #	PART #	DESCRIPTION	QTY.
1-10	ED35192CON	HEPA 2.0 FIELD UPGRADE KIT (INCLUDES ITEMS 1 THRU 10)	1
1	ED34823004	SMALL SPACER RING, HEPA 2.0	1
2	ED3481701	SCREW, BH SOC, FLANGED, M6 X 25	2
3	ED25000	WASHER, EXT. STAR 1/4"	2
4	ED3137766	GASKET, NITRILE SPONGE FOR D1	1
5	ED34817A	M6 BLIND PEM	2
6	ED35211CON	HEPA FILTER 2.0	2
7	ED3519201	HEPA RETAINING BRACKET, CONTRACTOR	2
8	ED20031	WASHER, FENDER, 1/4 X 1-1/4	2
9	ED250025	NUT, 1/4-20, ZINC	2
10	ED25001	NUT, LOCK 1/4-20, ZINC	2

## ILLUSTRATION 9: HOSE AND CONNECTOR



ITEM #	PART #	DESCRIPTION	QTY.
1	ED5220-BL	HOSE CONNECTOR 2"BL TO 2" HOSE	1
2	ED501425	HOSE, 2" X 25', PLASTIC CRUSH-PROOF (WITH CUFFS)	1
	ED5014B	REPLACEMENT 2" HOSE CUFF ONLY	2

# PARTS FINDER

**Search Website  
by Part Number**



**Search Manual  
Library For Parts  
Manual & Lookup Part  
Numbers – Purchase  
or Request Quote**

**Search Manuals**

Enter your information to help us find the right parts manual for your equipment.

\* Brand:

\* Model:

\* Serial:

\* Part Number:

SEARCH

**Can't Find Part or  
Manual? Request Help  
by Manufacturer,  
Model & Description**

**Parts Order Form**

Please fill in the following information to help us find the right part for your equipment.

Manufacturer:	<input type="text"/>
Model:	<input type="text"/>
Description:	<input type="text"/>
Part Number:	<input type="text"/>
Quantity:	<input type="text"/>
Notes:	<input type="text"/>

Submit

Discount-Equipment.com is your online resource for quality parts & equipment.

Florida: **561-964-4949** Outside Florida TOLL FREE: **877-690-3101**

**Need parts?**

Click on this link: <http://www.discount-equipment.com/category/5443-parts/> and choose one of the options to help get the right parts and equipment you are looking for. Please have the machine model and serial number available in order to help us get you the correct parts. If you don't find the part on the website or on one of the online manuals, please fill out the request form and one of our experienced staff members will get back to you with a quote for the right part that your machine needs.

We sell worldwide for the brands: Genie, Terex, JLG, MultiQuip, Mikasa, Essick, Whiteman, Mayco, Toro Stone, Diamond Products, Generac Magnum, Airman, Haulotte, Barreto, Power Blanket, Nifty Lift, Atlas Copco, Chicago Pneumatic, Allmand, Miller Curber, Skyjack, Lull, Skytrak, Tsurumi, Husquvarna Target, Stow, Wacker, Sakai, Mi-T-M, Sullair, Basic, Dynapac, MBW, Weber, Bartell, Bennar Newman, Haulotte, Ditch Runner, Menegotti, Morrison, Contec, Buddy, Crown, Edco, Wyco, Bomag, Laymor, EZ Trench, Bil-Jax, F.S. Curtis, Gehl Pavers, Heli, Honda, ICS/PowerGrit, IHI, Partner, Imer, Clipper, MMD, Koshin, Rice, CH&E, General Equipment, Amida, Coleman, NAC, Gradall, Square Shooter, Kent, Stanley, Tamco, Toku, Hatz, Kohler, Robin, Wisconsin, Northrock, Oztec, Toker TK, Rol-Air, APT, Wylie, Ingersoll Rand / Doosan, Innovatech, Con X, Ammann, Mecalac, Makinex, Smith Surface Prep, Small Line, Wanco, Yanmar