

## Parts List Manual

# VAC-290



Manual - Portable

# PARTS FINDER

**Search Website  
by Part Number**



**Search Manual  
Library For Parts  
Manual & Lookup Part  
Numbers – Purchase  
or Request Quote**

**Search Manuals**

Enter your information to help us find the right parts manual for your machine.

\* Brand:

\* Model:

\* Serial:

\* Part Number:

SEARCH

**Can't Find Part or  
Manual? Request Help  
by Manufacturer,  
Model & Description**

**Parts Order Form**

Please fill in the following information to help us find the right part for your machine.

|               |                      |
|---------------|----------------------|
| Manufacturer: | <input type="text"/> |
| Model:        | <input type="text"/> |
| Description:  | <input type="text"/> |
| Part Number:  | <input type="text"/> |
| Quantity:     | <input type="text"/> |
| Notes:        | <input type="text"/> |

Discount-Equipment.com is your online resource for quality parts & equipment.

Florida: **561-964-4949** Outside Florida TOLL FREE: **877-690-3101**

**Need parts?**

Click on this link: <http://www.discount-equipment.com/category/5443-parts/> and choose one of the options to help get the right parts and equipment you are looking for. Please have the machine model and serial number available in order to help us get you the correct parts. If you don't find the part on the website or on one of the online manuals, please fill out the request form and one of our experienced staff members will get back to you with a quote for the right part that your machine needs.

We sell worldwide for the brands: Genie, Terex, JLG, MultiQuip, Mikasa, Essick, Whiteman, Mayco, Toro Stone, Diamond Products, Generac Magnum, Airman, Haulotte, Barreto, Power Blanket, Nifty Lift, Atlas Copco, Chicago Pneumatic, Allmand, Miller Curber, Skyjack, Lull, Skytrak, Tsurumi, Husquvarna Target, Stow, Wacker, Sakai, Mi-T-M, Sullair, Basic, Dynapac, MBW, Weber, Bartell, Bennar Newman, Haulotte, Ditch Runner, Menegotti, Morrison, Contec, Buddy, Crown, Edco, Wyco, Bomag, Laymor, EZ Trench, Bil-Jax, F.S. Curtis, Gehl Pavers, Heli, Honda, ICS/PowerGrit, IHI, Partner, Imer, Clipper, MMD, Koshin, Rice, CH&E, General Equipment, Amida, Coleman, NAC, Gradall, Square Shooter, Kent, Stanley, Tamco, Toku, Hatz, Kohler, Robin, Wisconsin, Northrock, Oztec, Toker TK, Rol-Air, APT, Wylie, Ingersoll Rand / Doosan, Innovatech, Con X, Ammann, Mecalac, Makinex, Smith Surface Prep, Small Line, Wanco, Yanmar

READ AND UNDERSTAND THE OPERATORS INSTRUCTION MANUAL THOROUGHLY BEFORE ATTEMPTING TO OPERATE THIS EQUIPMENT. Death or serious injury could occur if this machine is used improperly.



## SAFETY MESSAGES



The safety instructions are preceded by a graphic alert message of DANGER, WARNING, or CAUTION.



Indicates an imminent hazard which, if not avoided, will result in death or serious injury.



Indicates an imminent hazard which, if not avoided, can result in death or serious injury.



Indicates hazards which, if not avoided, could result in serious injury and or damage to the equipment.

## GASOLINE Powered Equipment



- Do not operate gasoline powered equipment without adequate ventilation. Carbon monoxide is an invisible, odorless gas that can kill.

## ELECTRICAL Powered Equipment



- ELECTRICAL HAZARD** - Be sure equipment is properly grounded. Failure to comply could kill or result in serious injury.



The engine exhaust from this product contains chemicals known to the State of California to cause cancer, birth defects or other reproductive harm.

## GENERAL INSTRUCTIONS



- You must read and understand the operators instruction manual and all other manuals associated with this machine. For your safety and the safety of others around you, it is extremely important to fully understand how to operate this machine in the way it was intended. Different model machines or older/newer versions of the same model may have different parts and controls that you need to understand. If instructions are not readable or available DO NOT USE this machine and contact Discount-equipment for a replacement Manual.
- You must be able to physically handle the bulk weight and power of this machine. If not properly controlled this machine can cause death or serious injury.
- Do not operate this machine in an impaired mental state. You must be able to exercise good judgement and reactions to maintain a safe working environment.
- This is a "one person" machine which means only one operator can be operating the machine at any one time. For the safety of others, maintain a safe operating distance to other personnel. Your work area should be defined and appropriately marked so bystanders and coworkers do not stand or walk near this machine and end up seriously injured by flying debris or exposing them to harmful noise or dust.
- This equipment is for Commercial use. Although this is a "one person" machine your work team should understand how to shut this machine off and quickly get medical help if an accident strikes the operator.
- Keep all guards in place during operation. The guards are to provide protection from inadvertent contact with dangerous moving parts, pinch points, or hot surfaces.
- Wear appropriate Personal Protective Equipment (PPE) including safety glasses, safety boots, work gloves, respiratory protection, hearing protection, and head protection. Do not wear loose clothing that can get tangled in moving parts. Failure to do so could result

in dismemberment or death. **Wear an approved respirator when removing hazardous materials or when grinding/cutting dry materials. Some dust particles such as concrete dust can contain silicate particles which can cause silicosis (a very serious lung disease). Contact NIOSH or OSHA for further details. When wet grinding/cutting, avoid contact with the concrete/asphalt slurry which can cause serious skin irritations.**

- You must maintain this machine per the maintenance schedule in the operator manual. Remember before adjusting, servicing, or fueling this machine, disconnect the source of power to the machine by disconnecting the spark plug (Gas models), or by unplugging the electrical power cord (electric models) or air hose (Pneumatic models) AT THE MACHINE so you can assure yourself it remains unplugged while you are working on it. Do not modify this machine. Use only genuine EDCO parts and accessories. Repairs and service should be performed by approved EDCO dealers or authorized technicians.
- You should look carefully around the area before you begin work so you can identify potential hazards such as deck inserts, pipes, columns, openings, electrical cords or outlets, or any other objects protruding from the slab surface.
- This machine has no brain so you must use your own. There is no substitute for safety. The safety decals on the machine are to serve as a reminder for information you must already know before you begin using this machine. Take a moment to reread the safety decals each time you use the machine. If your machine is missing any decals, contact Discount-equipment for a replacement.

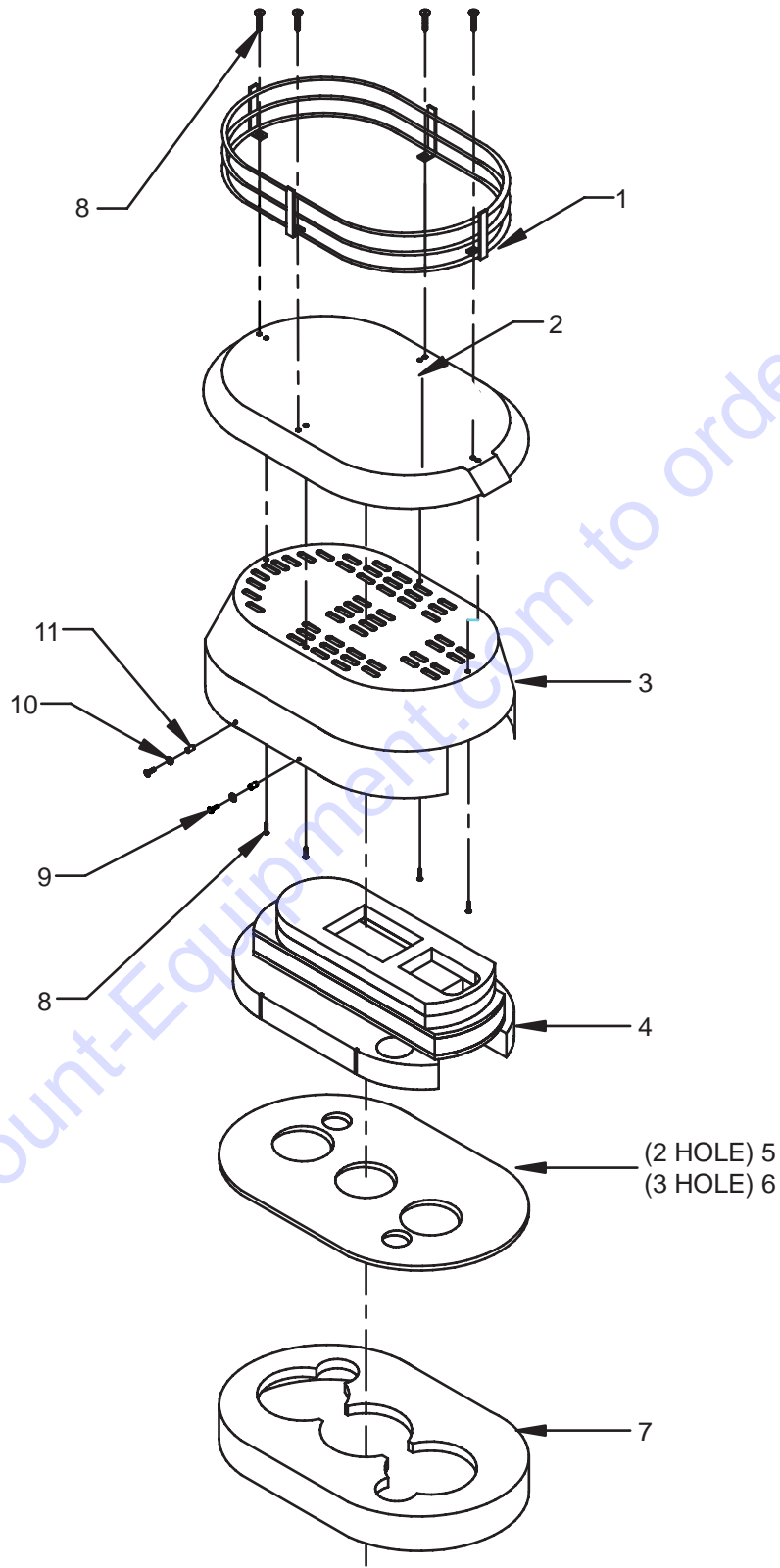
# PARTS LIST MANUAL

## VAC-290

| <u>Section</u>  | <u>Page Number</u> |
|---|--------------------|
| Safety Messages / General Instructions .....                        | 2                  |
| How To Order Replacement Parts .....                                | 3                  |
| Illustration 1 : Silencer w/Raun Guard & Tool Caddie Assembly ..... | 4,5                |
| Illustration 2 : Motor Assembly .....                               | 6,7                |
| Illustration 3 : Filter Assemblies .....                            | 8,9                |
| Illustration 4 : Hepa Filter & MiniHelic Assembly .....             | 10,11              |
| Illustration 5 : Base Assembly .....                                | 12,13              |
| Illustration 6 : Dust Pan Lever Assembly .....                      | 14,15              |
| Illustration 7 : Inlet Assembly .....                               | 16,17              |
| Illustration 8 : Blank .....  | 18,19              |
| Limited Equipment Warranty .....                                    | Back Cover         |

Go to Discount-Equipment.com to order your parts

# ILLUSTRATION #1 : SILENCER w/RAIN GUARD & TOOL CADDIE ASSEMBLY

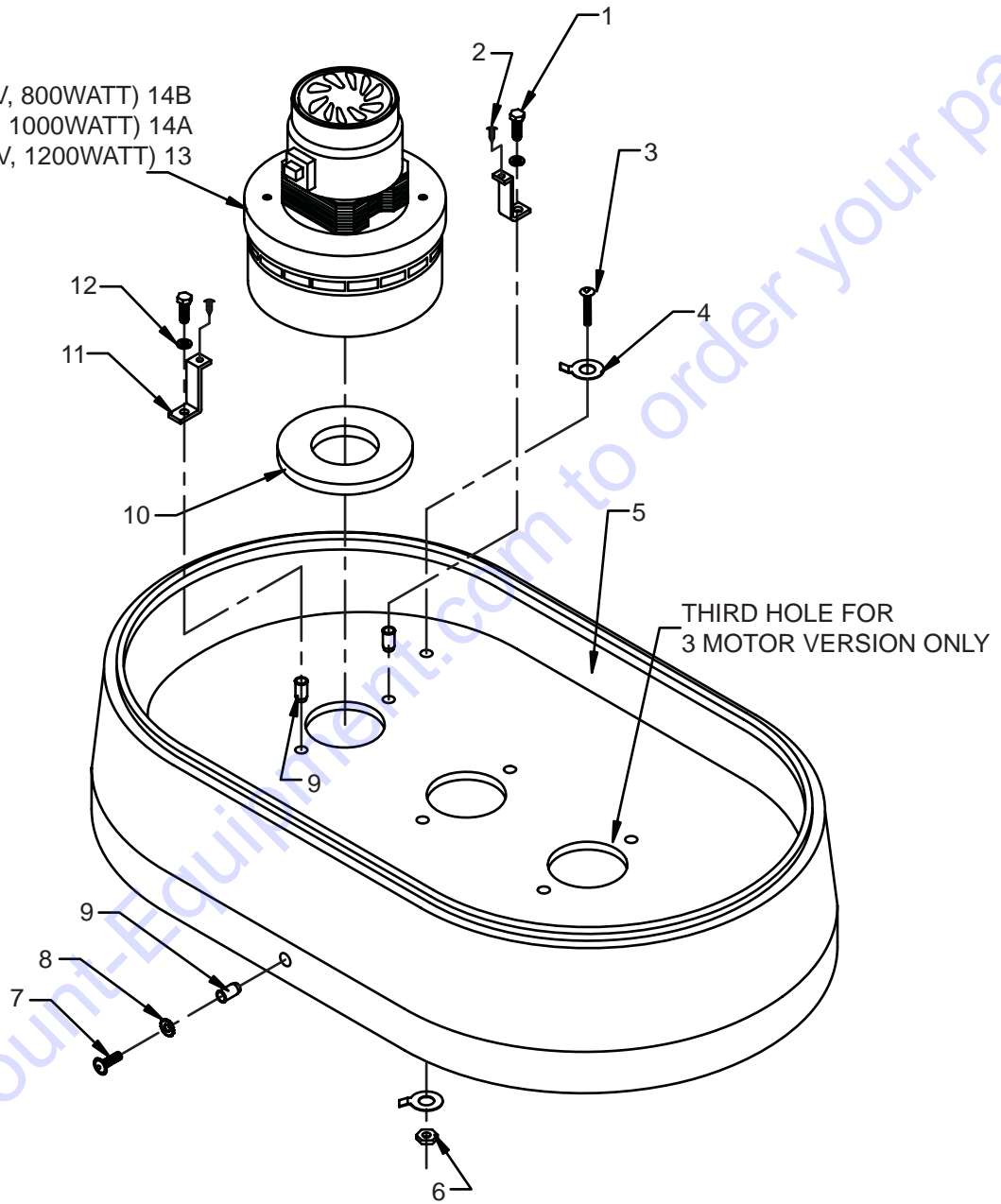


**PARTS LISTING - ILLUSTRATION #1 : SILENCER w/RAIN GUARD & TOOL  
CADDIE ASSEMBLY**

| ITEM # | PART #    | DESCRIPTION                     | QTY |
|--------|-----------|---------------------------------|-----|
| 1      | ED25175   | TOOL BASKET                     | 1   |
| 2      | ED32986   | RAIN GUARD                      | 1   |
| 3      | ED34980   | SILENCER HOOD                   | 1   |
| 4      | ED34982   | SILENCER FOAM ASSEMBLY          | 1   |
| 5      | ED34985   | AIR CHANNEL PLATE, 2 MOTOR      | 1   |
| 6      | ED34986   | AIR CHANNEL PLATE, 3 MOTOR      | 1   |
| 7      | ED34984   | FOAM ASSEMBLY FOR MOTORS, LOWER | 1   |
| 8      | ED25064   | #8 X 5/8 PHIL PAN HEAD, ZINC    | 8   |
| 9      | ED3481701 | M6X25 ALLEN HEAD SCREW          | 4   |
| 10     | ED25000   | 1/4" STAR WASHER, EXTERNAL      | 4   |
| 11     | ED34817A  | M6 BLIND PEM                    | 4   |

# ILLUSTRATION #2 : MOTOR ASSEMBLY

WS 2320 (120V, 800WATT) 14B  
WS 2220 (120V, 1000WATT) 14A  
WS 2220, WS 2320 (240V, 1200WATT) 13



**PARTS LISTING - ILLUSTRATION #2 : WS2220 120V, 240V MOTOR ASSEMBLY**

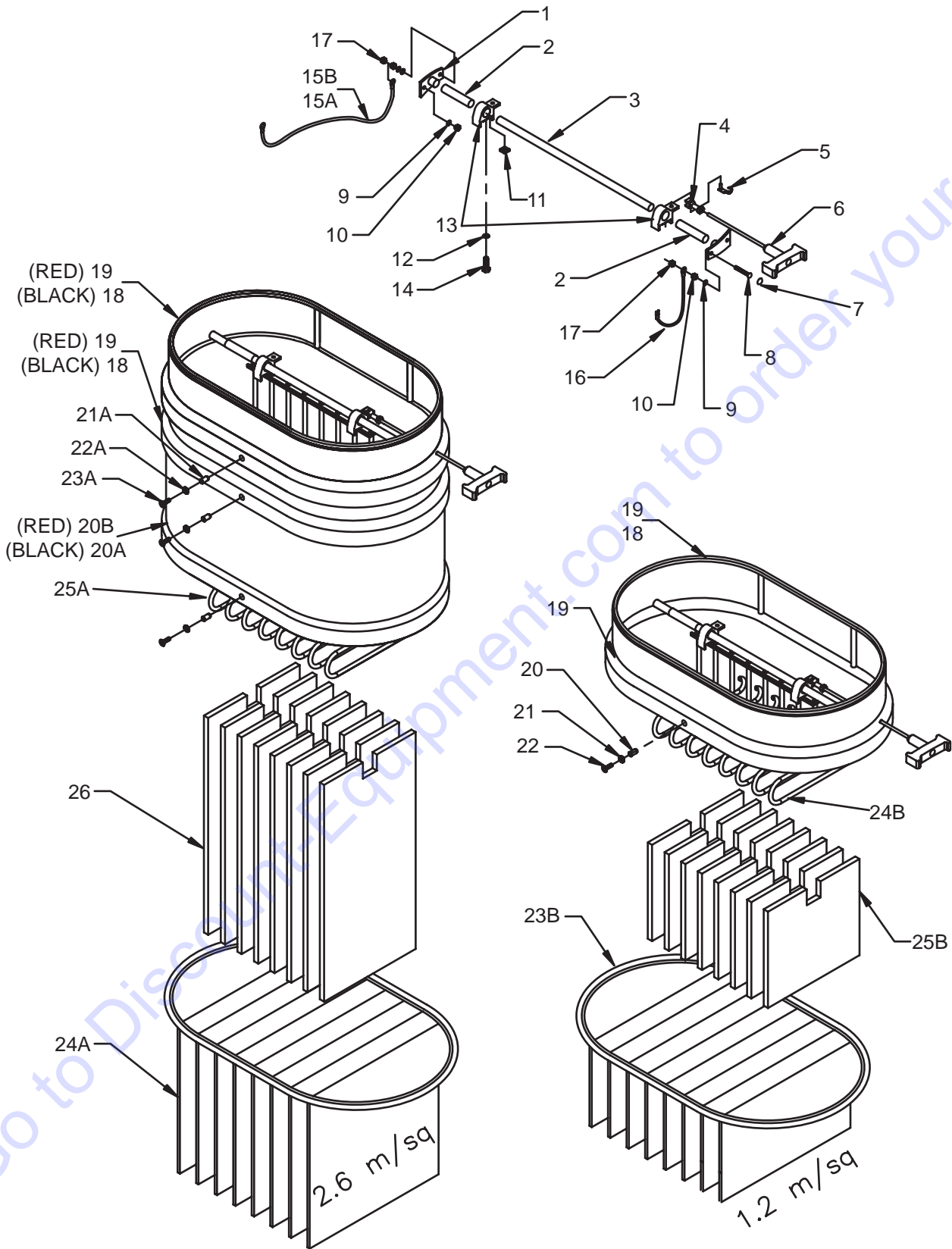
| ITEM # | PART #      | DESCRIPTION                   | QTY |
|--------|-------------|-------------------------------|-----|
| 1      | ED34854     | M6X25 HEX CAP                 | 4   |
| 2      | ED27012     | #8 X 1/2" PHIL PAN HEAD, ZINC | 4   |
| 3      | ED34817     | M6 X 20 ULS ALLEN HEAD SCREW  | 1   |
| 4      | ED34998     | GROUND CONNECTION, FOR BOLT   | 2   |
| 5      | ED34983     | WS MOTOR DECK                 | 1   |
| 6      | ED34876     | M6 LOCK NUT, ZINC             | 1   |
| 7      | ED3481701   | M6X25 ALLEN HEAD SCREW        | 2   |
| 8      | ED25000     | 1/4" STAR WASHER, EXTERNAL    | 2   |
| 9      | ED34817A    | M6 BLIND PEM                  | 6   |
| 10     | ED2509811   | NEOPRENE SPONGE GASKET        | 2   |
| 11     | ED34826     | MOTOR HOLD DOWN BRACKET, WS   | 4   |
| 12     | ED20039     | M6 SPLIT LOCK WASHER          | 4   |
| 13     | ED116549-13 | MOTOR, 240V, 1200 WATT        | 2   |
| 14A    | ED27002     | MOTOR, 120V, 1000 WATT        | 2   |

**PARTS LISTING - ILLUSTRATION #2 : WS2320 120V, 240V MOTOR ASSEMBLY**

| ITEM # | PART #      | DESCRIPTION                   | QTY |
|--------|-------------|-------------------------------|-----|
| 1      | ED34854     | M6X25 HEX CAP                 | 6   |
| 2      | ED27012     | #8 X 1/2" PHIL PAN HEAD, ZINC | 6   |
| 3      | ED34817     | M6 X 20 ULS ALLEN HEAD SCREW  | 1   |
| 4      | ED34998     | GROUND CONNECTION, FOR BOLT   | 2   |
| 5      | ED34983     | WS MOTOR DECK                 | 1   |
| 6      | ED34876     | M6 LOCK NUT, ZINC             | 1   |
| 7      | ED3481701   | M6X25 ALLEN HEAD SCREW        | 2   |
| 8      | ED25000     | 1/4" STAR WASHER, EXTERNAL    | 2   |
| 9      | ED34817A    | M6 BLIND PEM                  | 8   |
| 10     | ED2509811   | NEOPRENE SPONGE GASKET        | 3   |
| 11     | ED34826     | MOTOR HOLD DOWN BRACKET, WS   | 6   |
| 12     | ED20039     | M6 SPLIT LOCK WASHER          | 6   |
| 13     | ED116549-13 | MOTOR, 240V, 1200 WATT        | 3   |
| 14B    | ED119514    | MOTOR, 120V, 800 WATT         | 3   |



# ILLUSTRATION #3 : FILTER ASSEMBLIES 1.2 & 2.6 sq/m



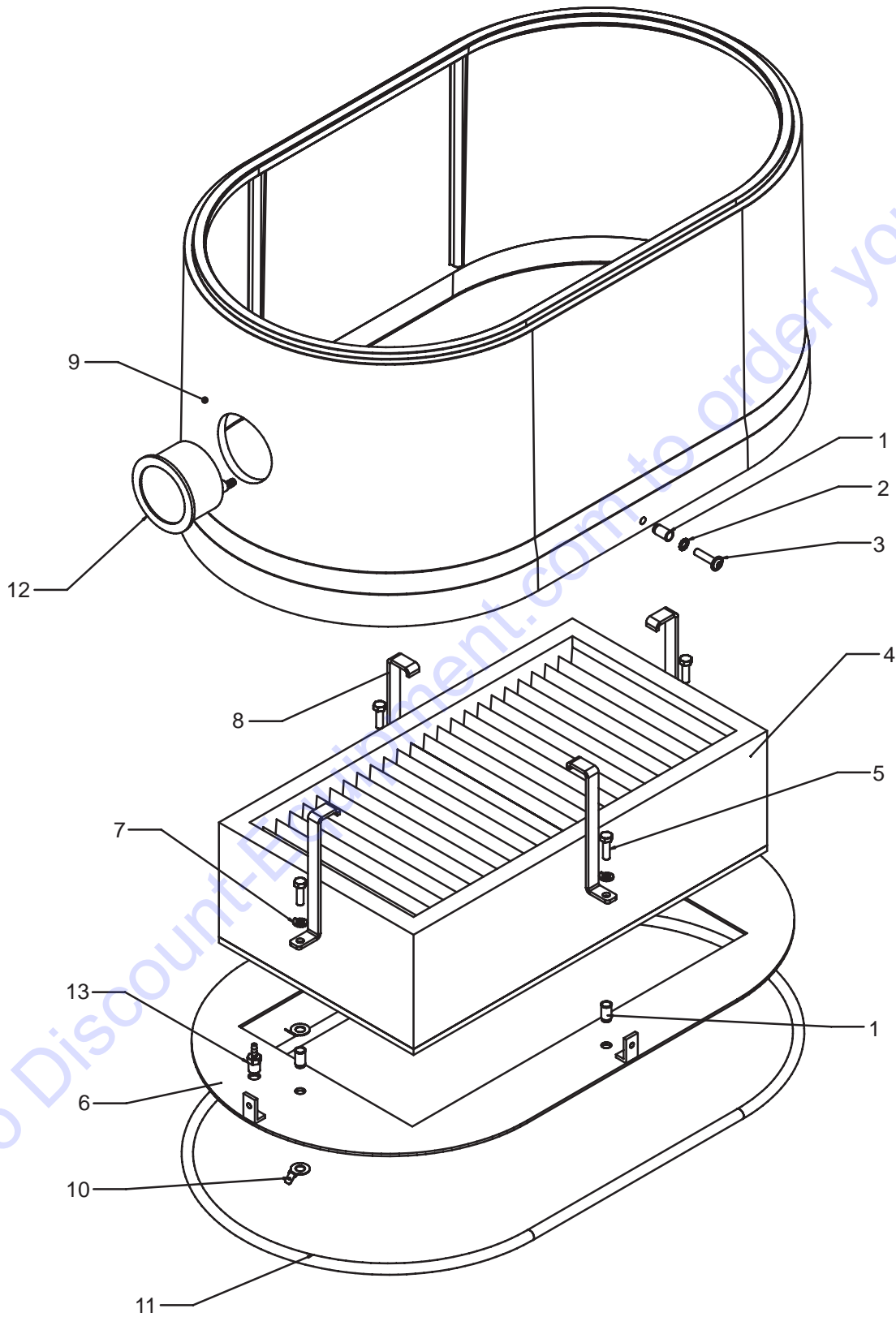
**PARTS LISTING - ILLUSTRATION #3 : 1.2 FILTER ASSEMBLY**

| ITEM # | PART #    | DESCRIPTION                       | QTY |
|--------|-----------|-----------------------------------|-----|
| 1      | ED34806   | 34806 SHAKER ROD MOUNTING SUPPORT | 2   |
| 2      | ED34805   | CLEAR HOSE, 3/4 ID                | 2   |
| 3      | ED34804   | SLIDE BAR                         | 1   |
| 4      | ED25047   | STEEL YOKE END                    | 1   |
| 5      | ED34879   | SPRING CLIP, 6X12                 | 1   |
| 6      | ED22565   | SHAKER BAR WITH SWIVEL HANDLE     | 1   |
| 7      | ED34871   | PLASTIC PLUG 4.5/13               | 4   |
| 8      | ED34815   | M6 X 30 ALLEN SCREW COUNTER SUNK  | 4   |
| 9      | ED20039   | M6 SPLIT LOCK WASHER              | 4   |
| 10     | ED20040   | M6 HEX NUT                        | 4   |
| 11     | ED20045   | SQUARE NUT, 8MM, ZINC             | 2   |
| 12     | ED20050   | M8 LOCK WASHER                    | 2   |
| 13     | ED34802   | SLIDE ASSEMBLY, W/HOOK            | 2   |
| 14     | ED25038   | M8 HEX CAP-1.25X20 ZINC           | 2   |
| 15B    | ED34868   | GROUND, DEFLECTOR, 1.2 FILTER     | 1   |
| 16     | ED34866   | GROUND, SHAKER TO MOTOR DECK      | 1   |
| 17     | ED34876   | M6 LOCK NUT                       | 2   |
| 18     | ED32834   | HOUSING SPACER, SMALL, BLACK      | 1   |
| 19     | ED34823   | HOUSING SPACER, SMALL, RED        | 1   |
| 20     | ED34817A  | M6 BLIND PEM                      | 2   |
| 21     | ED25000   | 1/4" STAR WASHER                  | 2   |
| 22     | ED3481701 | M6X25 ALLEN HEAD SCREW            | 2   |
| 23B    | ED20091   | FILTER, 13 SQ/FT, 1.2M2           | 1   |
| 24B    | ED25056   | FILTER SHAKER INSERT, 1.2M        | 1   |
| 25B    | ED20091F  | FILTER INSERT, 1.2M               | 1   |

**PARTS LISTING - ILLUSTRATION #3 : 2.6 FILTER ASSEMBLY**

| ITEM # | PART #    | DESCRIPTION   | QTY |
|--------|-----------|---|-----|
| 1      | ED34806   | SHAKER ROD MOUNTING SUPPORT                                 | 2   |
| 2      | ED34805   | CLEAR HOSE, 3/4 ID  | 2   |
| 3      | ED34804   | SLIDE BAR   | 1   |
| 4      | ED25047   | STEEL YOKE END  | 1   |
| 5      | ED34879   | SPRING CLIP, 6X12   | 1   |
| 6      | ED22565   | SHAKER BAR WITH SWIVEL HANDLE                               | 1   |
| 7      | ED34871   | PLASTIC PLUG 4.5/13   | 4   |
| 8      | ED34815   | M6 X 30 ALLEN SCREW COUNTER SUNK                            | 4   |
| 9      | ED20039   | M6 SPLIT LOCK WASHER  | 4   |
| 10     | ED20040   | M6 HEX NUT  | 4   |
| 11     | ED20045   | SQUARE NUT, 8MM, ZINC                                       | 2   |
| 12     | ED20050   | M8 LOCK WASHER  | 2   |
| 13     | ED34802   | SLIDE ASSEMBLY, W/HOOK                                      | 2   |
| 14     | ED25038   | M8 HEX CAP-1.25X20 ZINC                                     | 2   |
| 15A    | ED34869   | GROUND, DEFLECTOR, 2.6 FILTER, NO GROUND FOR BLACK MACHINES | 1   |
| 16     | ED34866   | GROUND, SHAKER TO MOTOR DECK, NO GROUND FOR BLACK MACHINES  | 1   |
| 17     | ED34876   | M6 LOCK NUT   | 2   |
| 18     | ED32834   | HOUSING SPACER, SMALL, BLACK                                | 2   |
| 19     | ED34823   | HOUSING SPACER, SMALL, RED                                  | 2   |
| 20A    | ED32835   | HOUSING SPACER, LARGE, BLACK                                | 1   |
| 20B    | ED34820   | HOUSING SPACER, LARGE, RED                                  | 1   |
| 21A    | ED34817A  | M6 BLIND PEM  | 6   |
| 22A    | ED25000   | 1/4" STAR WASHER  | 6   |
| 23A    | ED3481701 | M6X25 ALLEN HEAD SCREW                                      | 6   |
| 24A    | ED30091   | FILTER, 28 SQ/FT, 2.6 M2                                    | 1   |
| 25A    | ED34807   | FILTER SHAKER INSERT, 2.6M                                  | 1   |
| 26     | ED30091F  | FILTER INSERT, 2.6M   | 1   |

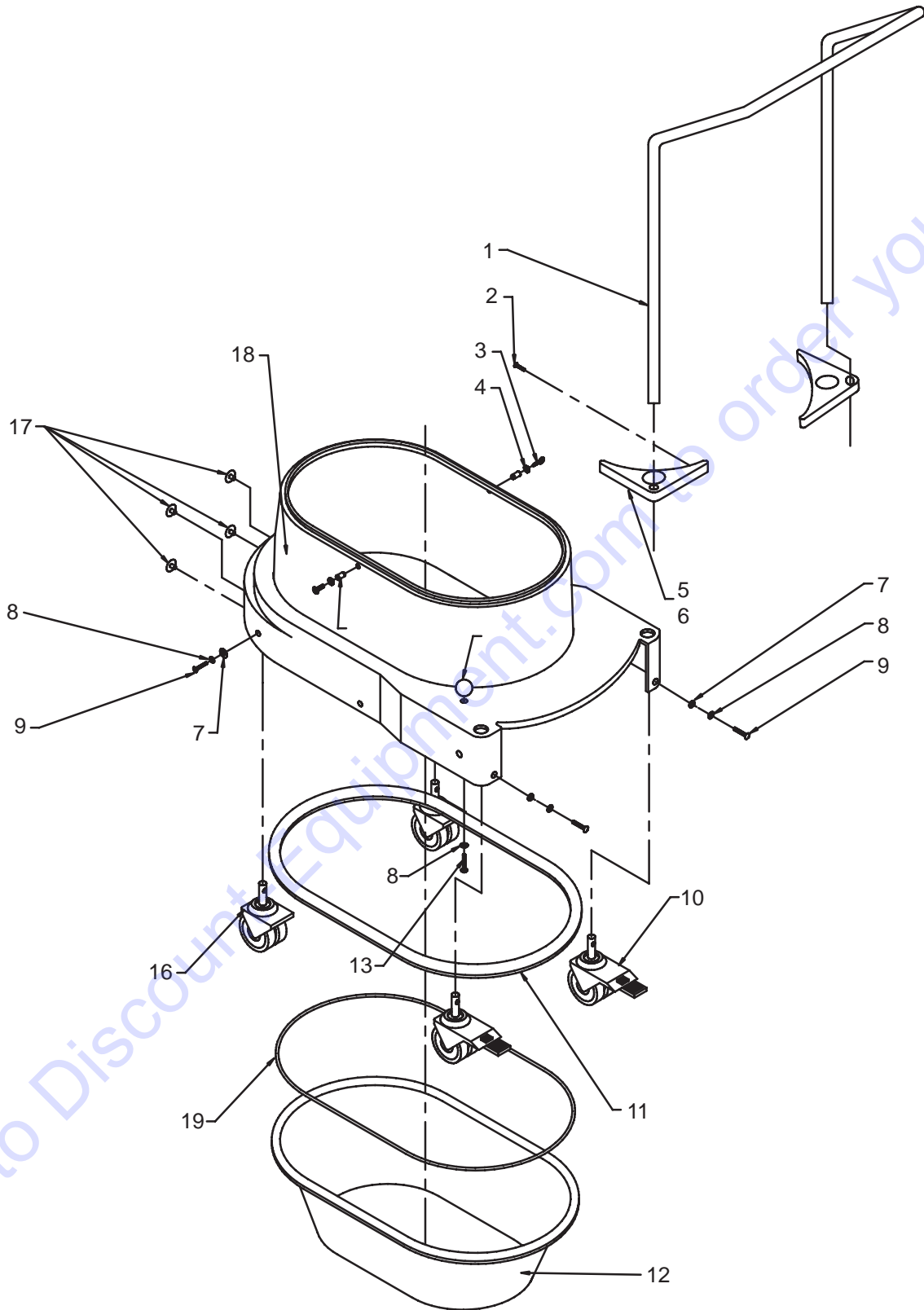
ILLUSTRATION #4 : HEPA FILTER & MINIHHELIC ASSEMBLY



**PARTS LISTING - ILLUSTRATION #4 : HEPA FILTER & MINIHELIC ASSEMBLY**

| ITEM # | PART #    | DESCRIPTION                     | QTY |
|--------|-----------|---------------------------------|-----|
| 1      | ED34817A  | M6 BLIND PEM                    | 6   |
| 2      | ED25000   | 1/4" STAR WASHER, EXTERNAL      | 2   |
| 3      | ED3481701 | M6X25 ALLEN HEAD SCREW          | 2   |
| 4      | ED35211   | HEPA FILTER 40 SQ FOOT, WS, DS1 | 1   |
| 5      | ED32903   | M6X1.0 X 20 HEX CAP SCREW, ZINC | 4   |
| 6      | ED34947   | HEPA ADAPTER PLATE, DS1         | 1   |
| 7      | ED20039   | M6 SPLIT LOCK WASHER            | 4   |
| 8      | ED34949   | HEPA HOLD DOWN BRACKET          | 4   |
| 9      | ED34820   | HOUSING SPACER, LARGE, RED      | 1   |
| 10     | ED34998   | GROUND CONNECTION, FOR BOLT     | 2   |
| 11     | ED25098   | GASKET, ROUND, 10MM             | 1   |
| 12     | ED25143   | MINIHELIC, WITH MOUNTING        | 1   |
| 13     | ED25149   | HOSE BARB , 1/8 NPT X 1/8 BARB  | 1   |
| 14     | ED34800   | CLEAR HOSE, 1/8" ID 0.5         | 0.5 |

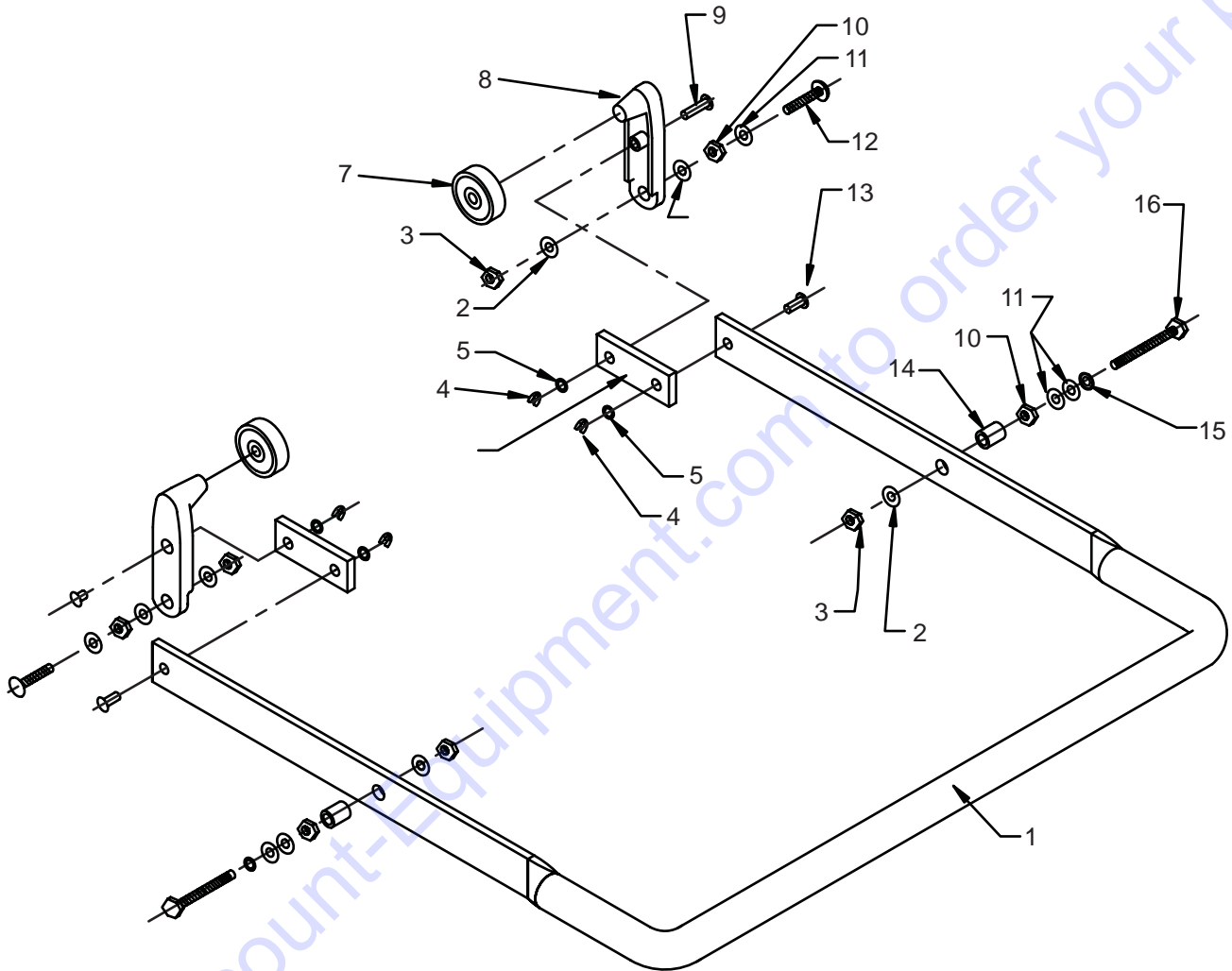
# ILLUSTRATION #5 : BASE ASSEMBLY



## PARTS LISTING - ILLUSTRATION #5 : BASE ASSEMBLY

| ITEM # | PART #    | DESCRIPTION                             | QTY |
|--------|-----------|---|-----|
| 1      | ED25080   | PUSH HANDLE                             | 1   |
| 2      | ED32988   | #8 X 1 PHIL TRUSS HEAD, ZINC            | 4   |
| 3      | ED3481701 | M6X25 ALLEN HEAD SCREW                  | 2   |
| 4      | ED25000   | 1/4" STAR WASHER                        | 2   |
| 5      | ED32039   | HANDLE SUPPORT, PLASTIC                 | 2   |
| 6      | ED34809   | HANDLE SUPPORT, ALUMINUM                | 2   |
| 7      | ED34882   | M8 FLAT WASHER                          | 4   |
| 8      | ED25037   | M8 WASHER                               | 5   |
| 9      | ED25054   | M8 X 25 HEX BOLT                        | 4   |
| 10     | ED25085   | DUAL CASTERS, FIXED, 75MM, W/STUD       | 2   |
| 11     | ED20070   | GASKET, DUST PAN/LOWER HOUSING, 20X15MM | 1   |
| 12     | ED34813   | DUST PAN, 35LTR, RED                    | 1   |
| 13     | ED25038   | M8 HEX CAP-1.25X20 ZINC                 | 1   |
| 14     | ED25060   | KNOB, BLACK, 8MM                        | 1   |
| 15     | ED34817A  | M6 BLIND PEM                            | 2   |
| 16     | ED25084   | DOUBLE CASTERS, SWIVEL, 75MM            | 2   |
| 17     | ED22120   | PLUG, 8MM, BLACK                        | 4   |
| 18     | ED34808   | LOWER HOUSING, RED                      | 1   |
| 19     | ED2509865 | DUST PAN REPLACEMENT GASKET             | 1   |

# ILLUSTRATION #6 : DUST PAN LEVER ASSEMBLY



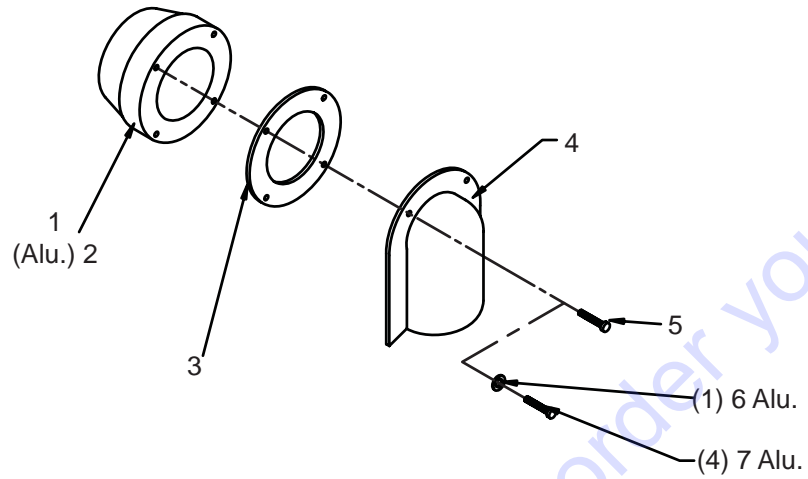
**PARTS LISTING - ILLUSTRATION #6 : DUST PAN LEVER ASSEMBLY**

| ITEM # | PART #  | DESCRIPTION            | QTY |
|--------|---------|------------------------|-----|
| 1      | ED20010 | FOOT LEVER             | 1   |
| 2      | ED25061 | M8 FLAT WASHER, ZINC   | 6   |
| 3      | ED30029 | M8 LOCK NUT            | 4   |
| 4      | ED34923 | C SPRING CLIP          | 4   |
| 5      | ED25067 | M6 FLAT WASHER         | 4   |
| 6      | ED20027 | FLAT STEEL PIVOT       | 2   |
| 7      | ED34853 | DUST PAN LEVER BEARING | 2   |
| 8      | ED34852 | DUST PAN TENSION LEVER | 2   |
| 9      | ED34922 | PIN,D=6X 19MM          | 2   |
| 10     | ED20044 | M8 HEX NUT -8          | 4   |
| 11     | ED34882 | M8 FLAT WASHER         | 6   |
| 12     | ED25053 | M8 X 35 CARRIAGE SCREW | 2   |
| 13     | ED34921 | PIN D6X15              | 2   |
| 14     | ED34812 | SPACER FOR FOOT LEVER  | 2   |
| 15     | ED25037 | M8 WASHER, EXTERNAL    | 2   |
| 16     | ED34811 | M8 HEX BOLT, X 55-8.8  | 2   |

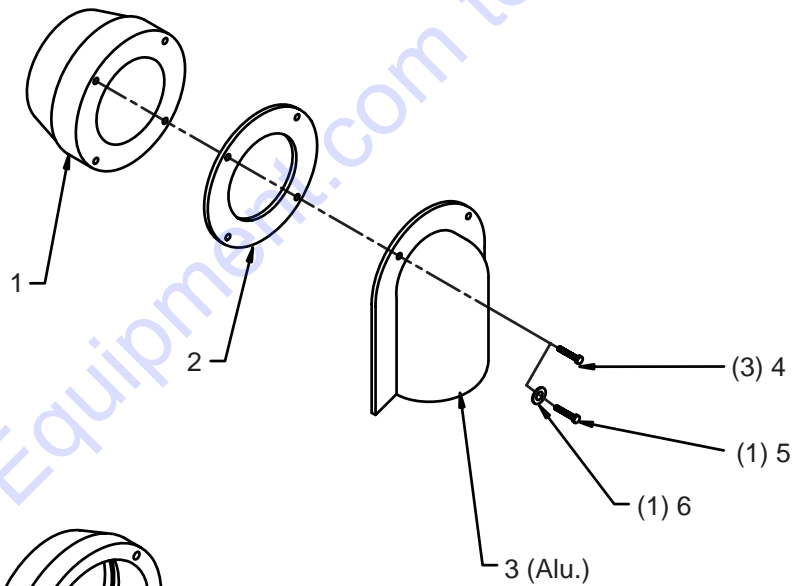


ILLUSTRATION #7 : 50mm, 70mm & 100mm INLET ASSEMBLY

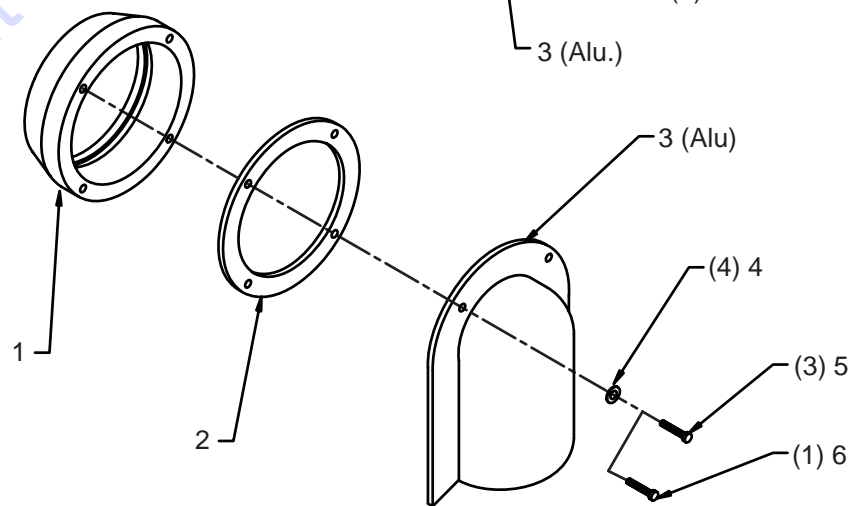
50mm



70mm



100mm



**PARTS LISTING - ILLUSTRATION #7 : 50mm INLET ASSEMBLY**

| ITEM # | PART #  | DESCRIPTION                    | QTY |
|--------|---------|--------------------------------|-----|
| 1      | ED31963 | INLET, 50MM, GFK BLACK PLASTIC | 1   |
| 2      | ED20006 | INLET, 50MM, ALUMINUM          | 1   |
| 3      | ED34870 | GASKET 50MM INLET              | 1   |
| 4      | ED20021 | INLET DEFLECTOR, 50MM, METAL   | 1   |
| 5      | ED32988 | #8 X 1 PHIL TRUSS HEAD, ZINC   | 4   |
| 6      | ED20025 | WASHER, STAR LOCKING, M4       | 1   |
| 7      | ED25057 | M4X20 SOCKET SCREW CAP         | 4   |

**PARTS LISTING - ILLUSTRATION #7 : 70mm INLET ASSEMBLY**

| ITEM # | PART #  | DESCRIPTION                         | QTY |
|--------|---------|-------------------------------------|-----|
| 1      | ED30007 | INLET, 70MM, ALUMINUM               | 1   |
| 2      | ED34821 | GASKET, 70MM INLET                  | 1   |
| 3      | ED30008 | DEFLECTOR, 70MM, ALUMINUM           | 1   |
| 4      | ED32866 | M5-.8X30 SOCKET CAP, ALLEN HEAD     | 3   |
| 5      | ED32863 | M5-.8X20 SOCKET CAP SCREW           | 1   |
| 6      | ED32867 | 32867 M5 EXT TOOTH LOCK WASHER ZINC | 1   |

**PARTS LISTING - ILLUSTRATION #7 : 100mm INLET ASSEMBLY**

| ITEM # | PART #  | DESCRIPTION                     | QTY |
|--------|---------|---------------------------------|-----|
| 1      | ED35188 | INLET, 100MM, ALUMINUM          | 1   |
| 2      | ED34918 | GASKET, 100MM INLET             | 1   |
| 3      | ED35189 | DEFLECTOR, 100MM, ALUMINUM      | 1   |
| 4      | ED32867 | M5 EXT TOOTH LOCK WASHER ZINC   | 4   |
| 5      | ED32866 | M5-.8X30 SOCKET CAP, ALLEN HEAD | 3   |
| 6      | ED32863 | M5-.8X20 SOCKET CAP SCREW       | 1   |

# PARTS FINDER

**Search Website  
by Part Number**



**Search Manual  
Library For Parts  
Manual & Lookup Part  
Numbers – Purchase  
or Request Quote**

**Search Manuals**

Enter your information to help us find the right part for your machine.

\* Brand:

\* Model:

\* Serial:

\* Part Number:

SEARCH

**Can't Find Part or  
Manual? Request Help  
by Manufacturer,  
Model & Description**

**Parts Order Form**

Please fill in the following information to help us find the right part for your machine.

Manufacturer:

Model:

Description:

Quantity:

Part Number:

Part Name:

Part Description:

Part Category:

Part Location:

Part Status:

Part Color:

Part Material:

Part Weight:

Part Dimensions:

Part Price:

Part Availability:

Part Lead Time:

Part Notes:

Submit

Discount-Equipment.com is your online resource for quality parts & equipment.

Florida: **561-964-4949** Outside Florida TOLL FREE: **877-690-3101**

**Need parts?**

Click on this link: <http://www.discount-equipment.com/category/5443-parts/> and choose one of the options to help get the right parts and equipment you are looking for. Please have the machine model and serial number available in order to help us get you the correct parts. If you don't find the part on the website or on one of the online manuals, please fill out the request form and one of our experienced staff members will get back to you with a quote for the right part that your machine needs.

We sell worldwide for the brands: Genie, Terex, JLG, MultiQuip, Mikasa, Essick, Whiteman, Mayco, Toro Stone, Diamond Products, Generac Magnum, Airman, Haulotte, Barreto, Power Blanket, Nifty Lift, Atlas Copco, Chicago Pneumatic, Allmand, Miller Curber, Skyjack, Lull, Skytrak, Tsurumi, Husquvarna Target, Stow, Wacker, Sakai, Mi-T-M, Sullair, Basic, Dynapac, MBW, Weber, Bartell, Bennar Newman, Haulotte, Ditch Runner, Menegotti, Morrison, Contec, Buddy, Crown, Edco, Wyco, Bomag, Laymor, EZ Trench, Bil-Jax, F.S. Curtis, Gehl Pavers, Heli, Honda, ICS/PowerGrit, IHI, Partner, Imer, Clipper, MMD, Koshin, Rice, CH&E, General Equipment, Amida, Coleman, NAC, Gradall, Square Shooter, Kent, Stanley, Tamco, Toku, Hatz, Kohler, Robin, Wisconsin, Northrock, Oztec, Toker TK, Rol-Air, APT, Wylie, Ingersoll Rand / Doosan, Innovatech, Con X, Ammann, Mecalac, Makinex, Smith Surface Prep, Small Line, Wanco, Yanmar