



REVISED STARTING
SERIAL #18020182

PARTS LIST MANUAL

VAC-300



**Vortex
300**

300 CFM GASOLINE HEPA MAX VACUUM

PART #

MODEL #

POWER OPTION

ED33725HK

GV10

HONDA 10 HP GASOLINE ENGINE



PARTS FINDER

**Search Website
by Part Number**



**Search Manual
Library For Parts
Manual & Lookup Part
Numbers – Purchase
or Request Quote**

Search Manuals

Enter your information to help us find the right parts manual for your machine.

* Brand:

* Model:

* Serial:

* Part Number:

SEARCH

**Can't Find Part or
Manual? Request Help
by Manufacturer,
Model & Description**

Parts Order Form

Please fill in the following information to help us find the right part for your machine.

Manufacturer:	<input type="text"/>
Model:	<input type="text"/>
Description:	<input type="text"/>
Part Number:	<input type="text"/>
Quantity:	<input type="text"/>
Notes:	<input type="text"/>

Submit

Discount-Equipment.com is your online resource for quality parts & equipment.

Florida: **561-964-4949** Outside Florida TOLL FREE: **877-690-3101**

Need parts?

Click on this link: <http://www.discount-equipment.com/category/5443-parts/> and choose one of the options to help get the right parts and equipment you are looking for. Please have the machine model and serial number available in order to help us get you the correct parts. If you don't find the part on the website or on one of the online manuals, please fill out the request form and one of our experienced staff members will get back to you with a quote for the right part that your machine needs.

We sell worldwide for the brands: Genie, Terex, JLG, MultiQuip, Mikasa, Essick, Whiteman, Mayco, Toro Stone, Diamond Products, Generac Magnum, Airman, Haulotte, Barreto, Power Blanket, Nifty Lift, Atlas Copco, Chicago Pneumatic, Allmand, Miller Curber, Skyjack, Lull, Skytrak, Tsurumi, Husquvarna Target, Stow, Wacker, Sakai, Mi-T-M, Sullair, Basic, Dynapac, MBW, Weber, Bartell, Bennar Newman, Haulotte, Ditch Runner, Menegotti, Morrison, Contec, Buddy, Crown, Edco, Wyco, Bomag, Laymor, EZ Trench, Bil-Jax, F.S. Curtis, Gehl Pavers, Heli, Honda, ICS/PowerGrit, IHI, Partner, Imer, Clipper, MMD, Koshin, Rice, CH&E, General Equipment, Amida, Coleman, NAC, Gradall, Square Shooter, Kent, Stanley, Tamco, Toku, Hatz, Kohler, Robin, Wisconsin, Northrock, Oztec, Toker TK, Rol-Air, APT, Wylie, Ingersoll Rand / Doosan, Innovatech, Con X, Ammann, Mecalac, Makinex, Smith Surface Prep, Small Line, Wanco, Yanmar

READ AND UNDERSTAND THE OPERATORS INSTRUCTION MANUAL THOROUGHLY BEFORE ATTEMPTING TO OPERATE THIS EQUIPMENT.



Death or serious injury could occur if this machine is used improperly.



SAFETY MESSAGES

- Safety Instructions are preceded by a graphic alert symbol of DANGER, WARNING, or CAUTION.



Indicates an imminent hazard which, if not avoided, will result in death or serious injury.



Indicates an imminent hazard which, if not avoided, can result in death or serious injury.



Indicates hazards which, if not avoided, could result in serious injury and or damage to the equipment.

GASOLINE/PROPANE POWERED EQUIPMENT



- Engine exhaust from this product contains chemicals known to the State of California to cause cancer, birth defects or other reproductive harm.



- Gasoline is extremely flammable and poisonous. It should only be dispensed in well ventilated areas, and with a cool engine.

- Small gasoline engines produce high concentrations of carbon monoxide (CO) example: a 5 HP 4 cycle engine operation in an enclosed 100,000 cu. ft. area with only one change of air per hour is capable of providing deadly concentrations of CO in less than fifteen minutes. Five changes of air in the same area will produce noxious fumes in less than 30 minutes. Gasoline or propane powered equipment should not be used in enclosed or partially enclosed areas. Symptoms of CO poisoning include, headache, nausea, weakness, dizziness, visual problems and loss of consciousness. If symptoms occur - get into fresh air and seek medical attention immediately.

ELECTRICAL POWERED EQUIPMENT



Extreme care must be taken when operating electric models with water present: Ensure power cord is properly grounded, is attached to a Ground-Fault-Interrupter (GFI) outlet, and is undamaged.

- Check all electrical cables - be sure connections are tight and cable is continuous and in good condition. Be sure cable is correctly rated for both the operating current and voltage of this equipment.
- Improper connection of the equipment-grounding conductor can result in a risk of electric shock. Check with qualified electrician or service person if there is any doubt as to whether the outlet is properly grounded. Adhere to all local codes and ordinances.
- **NOTE:** In the event of a malfunction or breakdown, grounding provides a path of least resistance for the electric current to dissipate. The motor is equipped with a grounded plug and must be connected to an outlet that is properly installed and properly grounded. DO NOT modify the plug provided on the motor. If the plug does not fit the outlet have a qualified electrician install the proper receptacle.
- Switch motor OFF **before** disconnecting power.

- Do not disconnect power by pulling cord. To disconnect, grasp the plug, not the cord.
- Unplug power cord at the machine when not in use and before servicing.

GENERAL INSTRUCTIONS


- Equipment should only be operated by trained personnel in good physical condition and mental health (not fatigued). The operator and maintenance personnel must be physically able to handle the bulk weight and power of this equipment.
- This is a one person tool. Maintain a safe operating distance to other personnel. It is the **operators' responsibility** to keep other people (workers, pedestrians, bystanders, etc.) away during operation. Block off the work area in all directions with roping, safety netting, etc. for a safe distance. Failure to do so may result in others being injured by flying debris or exposing them to harmful dust and noise.
- This equipment is intended for commercial use only.
- For the operator's safety and the safety of others, always keep all guards in place during operation.
- Never let equipment run unattended.



- Personal Protection Equipment and proper safety attire must be worn when operating this machinery. The operator must wear approved safety equipment appropriate for the job such as hard hat and safety shoes when conditions require. Hearing protection **MUST** be used (operational noise levels of this equipment may exceed 85db). Eye protection **MUST** be worn at all times.



Keep body parts and loose clothing away from moving parts. Failure to do so could result in dismemberment or death.

- Do not modify the machine.
 - Stop motor/engine when adjusting or servicing this equipment.
-  Maintain a safe operating distance from flammable materials. Sparks from the cutting-action of this machine can ignite flammable materials or vapors.

DUST WARNING



Some dust created by power sanding, sawing, grinding, drilling, and other construction activities contains chemicals known to cause cancer, birth defects, or other reproductive harm. Some examples of these chemicals are:

- Lead from lead-based paints, and
- Crystalline silica from bricks and concrete and other masonry products.

Your risk of exposure to these chemicals varies depending on how often you do this type of work. To reduce your risk: work in a well ventilated area, use a dust control system, such as an industrial-style vacuum, and wear approved personal safety equipment, such as a dust/particle respirator designed to filter out microscopic particles.

PARTS LIST MANUAL

VAC-300

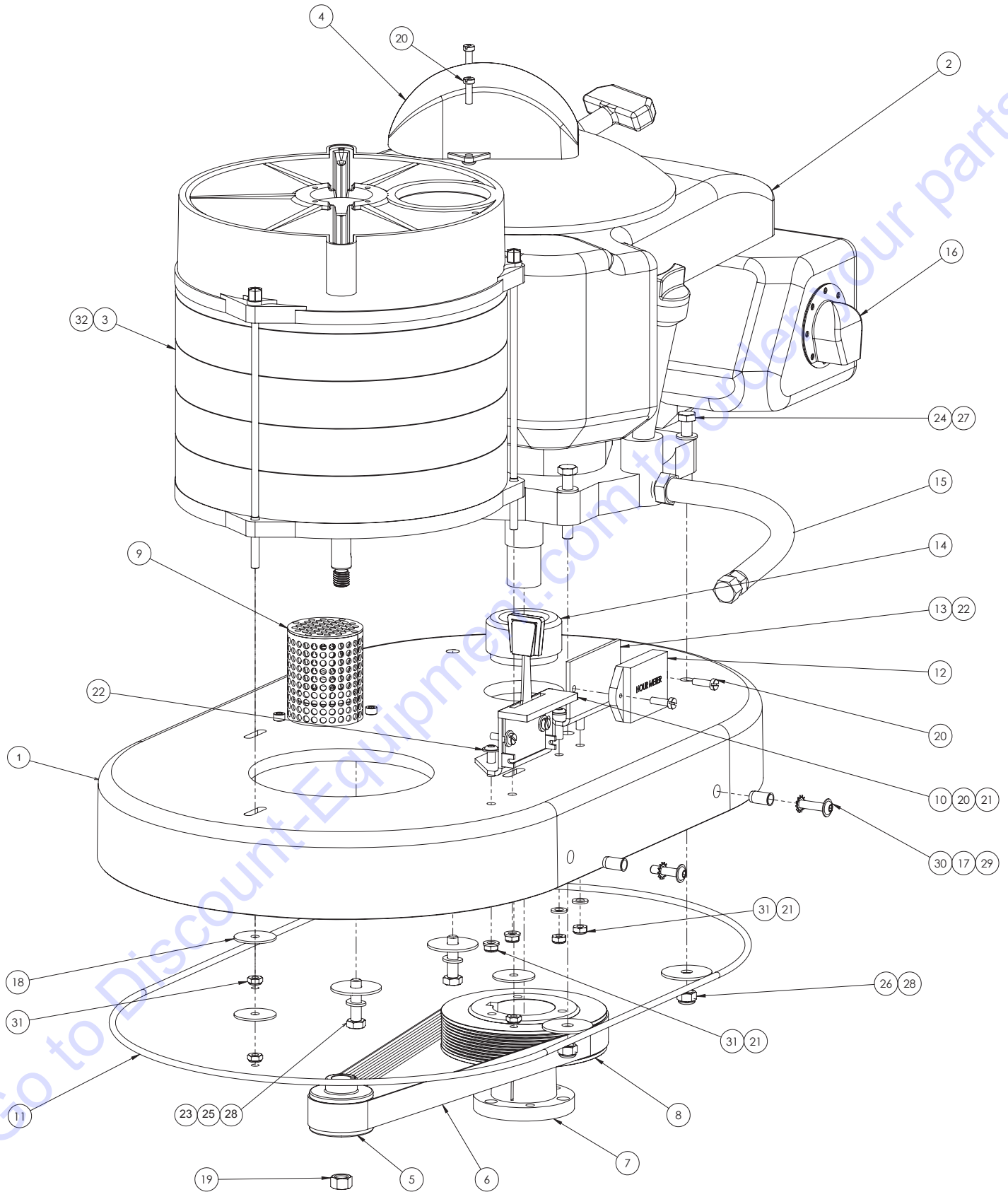
300 CFM GASOLINE HEPA MAX VACUUM

TABLE OF CONTENTS

<u>Section</u>	<u>Page Number</u>
Safety Messages and General Instructions	2
How To Order Replacement Parts	3
Illustration 1: Engine Deck Assembly	4, 5
Illustration 2: HEPA Max Filter Assembly	6, 7
Illustration 3: 2.6M Filter & Manual Shaker Assembly	8, 9
Illustration 4: Base Assembly	10, 11
Illustration 5: Dustpan Assembly	12
Illustration 6: Dustpan Lever Assembly	13
Illustration 7: 70mm Inlet Assembly	14
Illustration 8: Hose and Connector	15
Decal Sheet	16
Notes	17
This page was left blank intentionally	18
Limited Equipment Warranty of Sale - Terms & Conditions	19
STOP...Before Using This Product	20



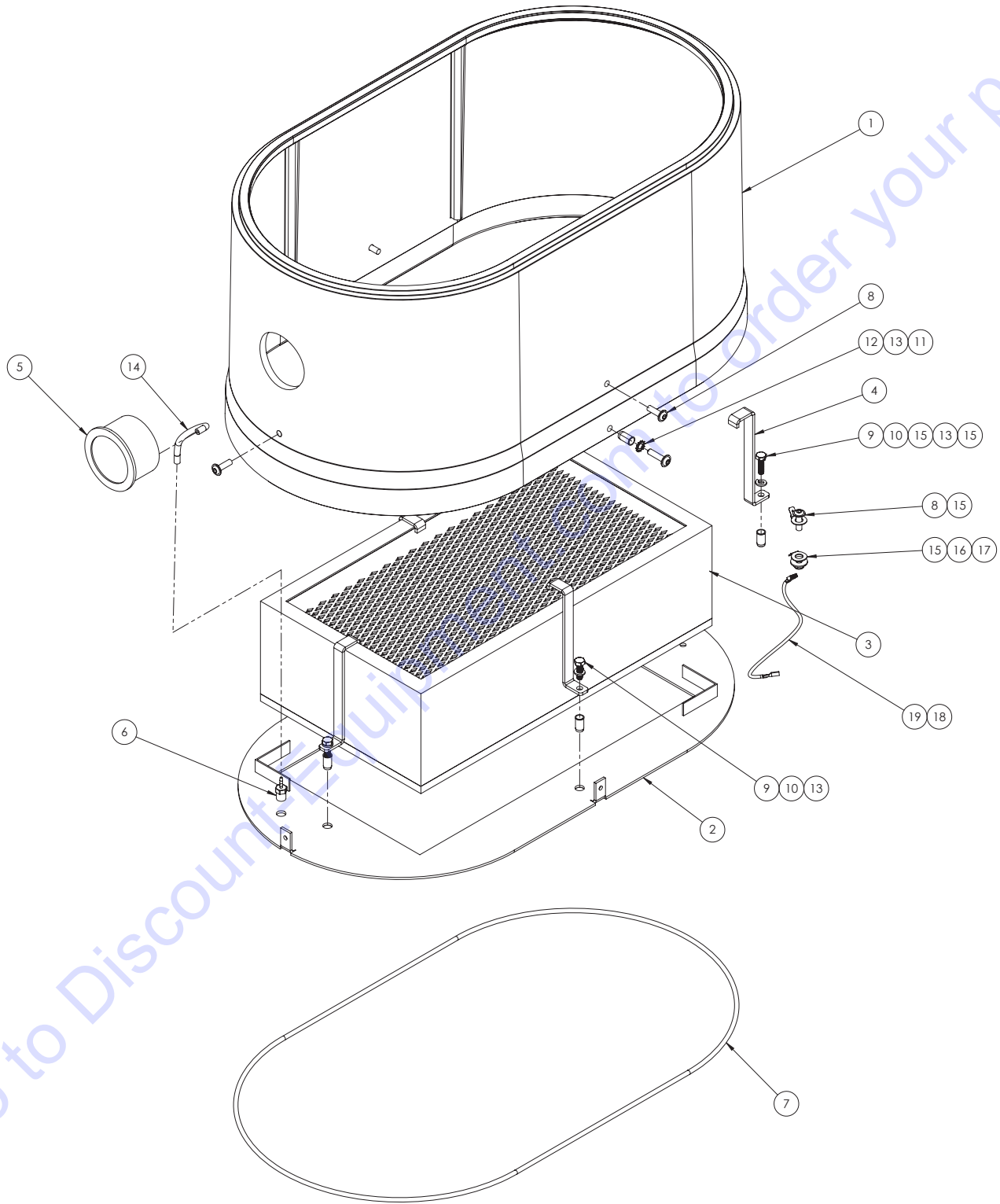
ILLUSTRATION 1: ENGINE DECK ASSEMBLY

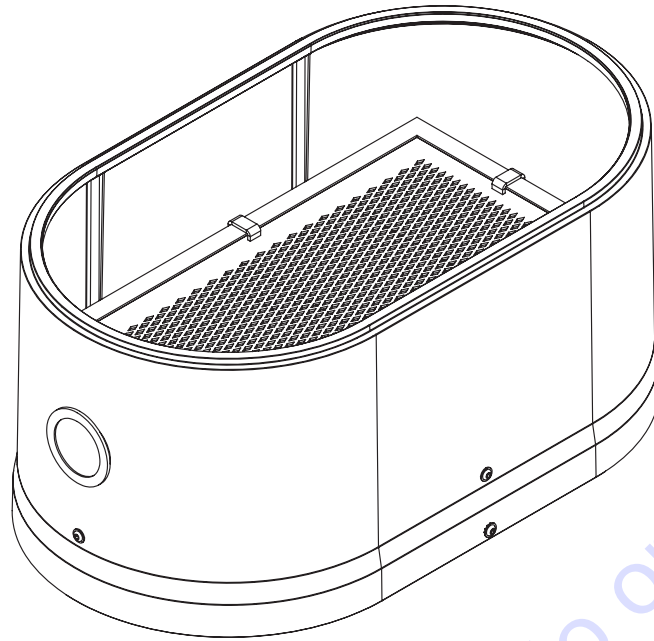


PARTS LISTING - ILLUSTRATION 1: ENGINE DECK ASSEMBLY			
ITEM #	PART #	DESCRIPTION	QTY.
1	ED90228005	ENGINE DECK, GV10, DS1 BLACK	1
2	ED2501309	ENGINE, HONDA 10HP GASOLINE	1
3	ED22221	TURBINE, NTB 5S/12/48,4.0 KW	1
4	ED32856	EXHAUST DEFLECTOR, TURBINE	1
5	ED33057	PULLEY, 48MM, 10 GROOVE, POLY-V	1
6	ED35014	BELT, 330J, 10 GROOVE, POLY-V	1
7	ED330501	BUSHING, P1 X 1-INCH	1
8	ED33052US	SHEAVE, 125MM, 10 GROOVE, POLY V	1
9	ED1002201A3	PRESSURE RELIEF VALVE, PERFORATED COVER	1
10	ED2501309T	THROTTLE CABLE FOR GAS ENGINE	1
11	ED31376002	GASKET, NEOPRENE, .188", 5.4FT LG	1
12	ED2501309E	HOUR METER, DS1 GAS VAC	1
13	ED2501309J	INSTRUCTION BRACKET	2
14	ED2501309L	SPACER PVC, GAS VAC, 2-1/4"OD X 1-1/2"ID	1
15	ED2501309Z	DRAINZIT, 20MM CONNECTION, HONDA ENGINE	1
16	ED2501309D	ENGINE EXHAUST DEFLECTOR	1
17	ED25000	WASHER, EXT. STAR 1/4"	4
18	ED20031	WASHER, FENDER 1/4 X 1-1/4	3
19	ED32827	NUT, HEX, LH M12 X 1.75	1
20	ED328685	SCREW, SLOT, CH, M5 X 16	6
21	ED25067	WASHER, FLAT, M6, DIN 125, ZINC	6
22	ED34817	SCREW, SOC BH, ULS, M6 X 20	4
23	ED312084	BOLT, HEX 5/16-24 X 1-1/4	2
24	ED31211	BOLT, HEX, 5/16-18 X 2 ZINC	2
25	ED31206	WASHER, LOCK, 5/16", ZINC	2
26	ED31202	NUT, LOCK 5/16-18	2
27	ED25061	WASHER, FLAT, M8, DIN125, ZINC	2
28	ED20032	WASHER, FENDER, 5/16 x 1-1/2, ZINC	4
29	ED34817A	M6 BLIND PEM	4
30	ED3481701	SCREW, BH SOC, FLANGED, M6 X 25	4
31	ED34876	NUT, LOCK M6 ZINC	7
32	ED22120	PLUG, 8MM, BLACK	2

ILLUSTRATION 2: HEPA MAX FILTER ASSEMBLY

PART # ED35193

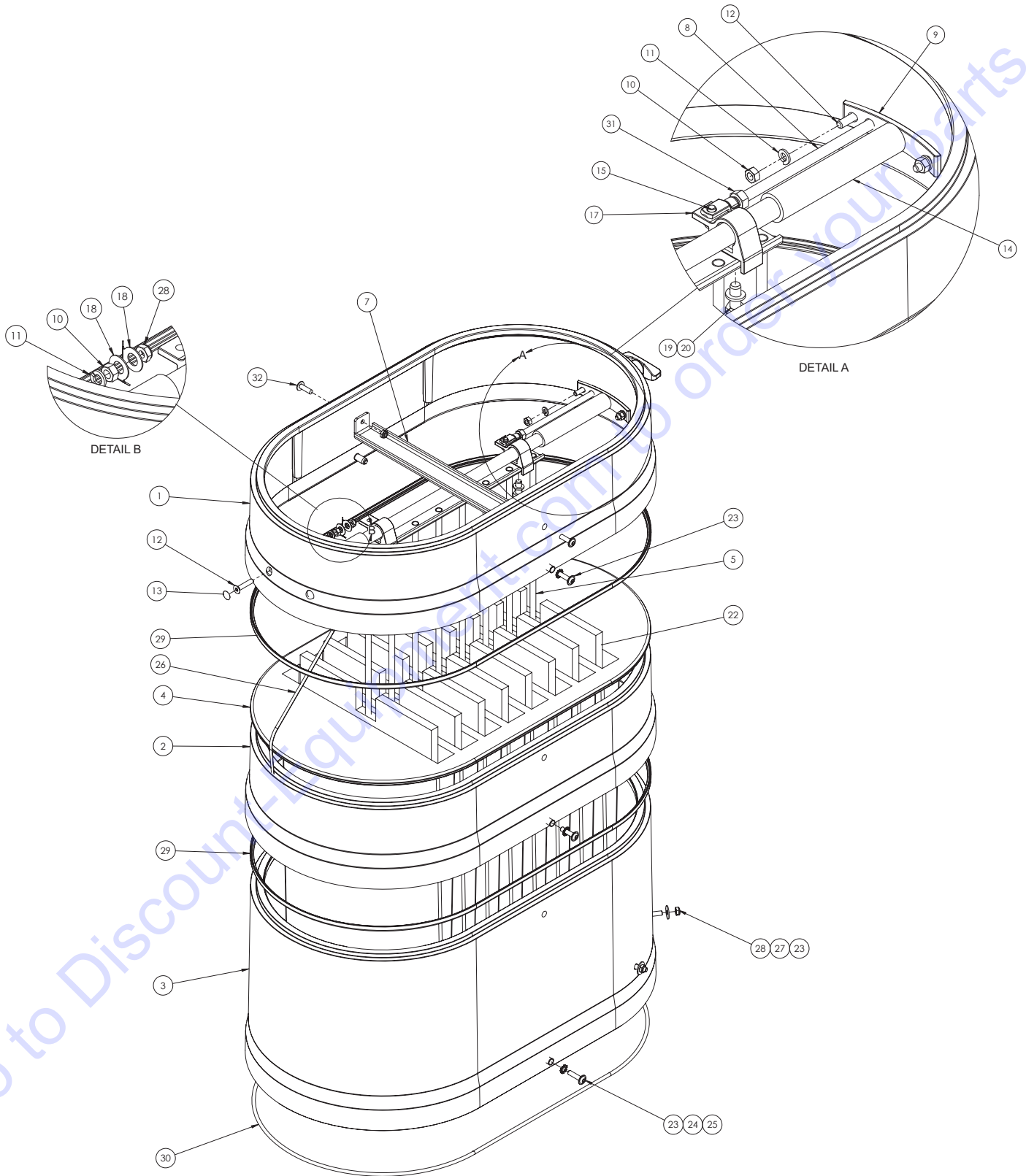




PARTS LISTING - ILLUSTRATION 2: HEPA MAX FILTER ASSEMBLY

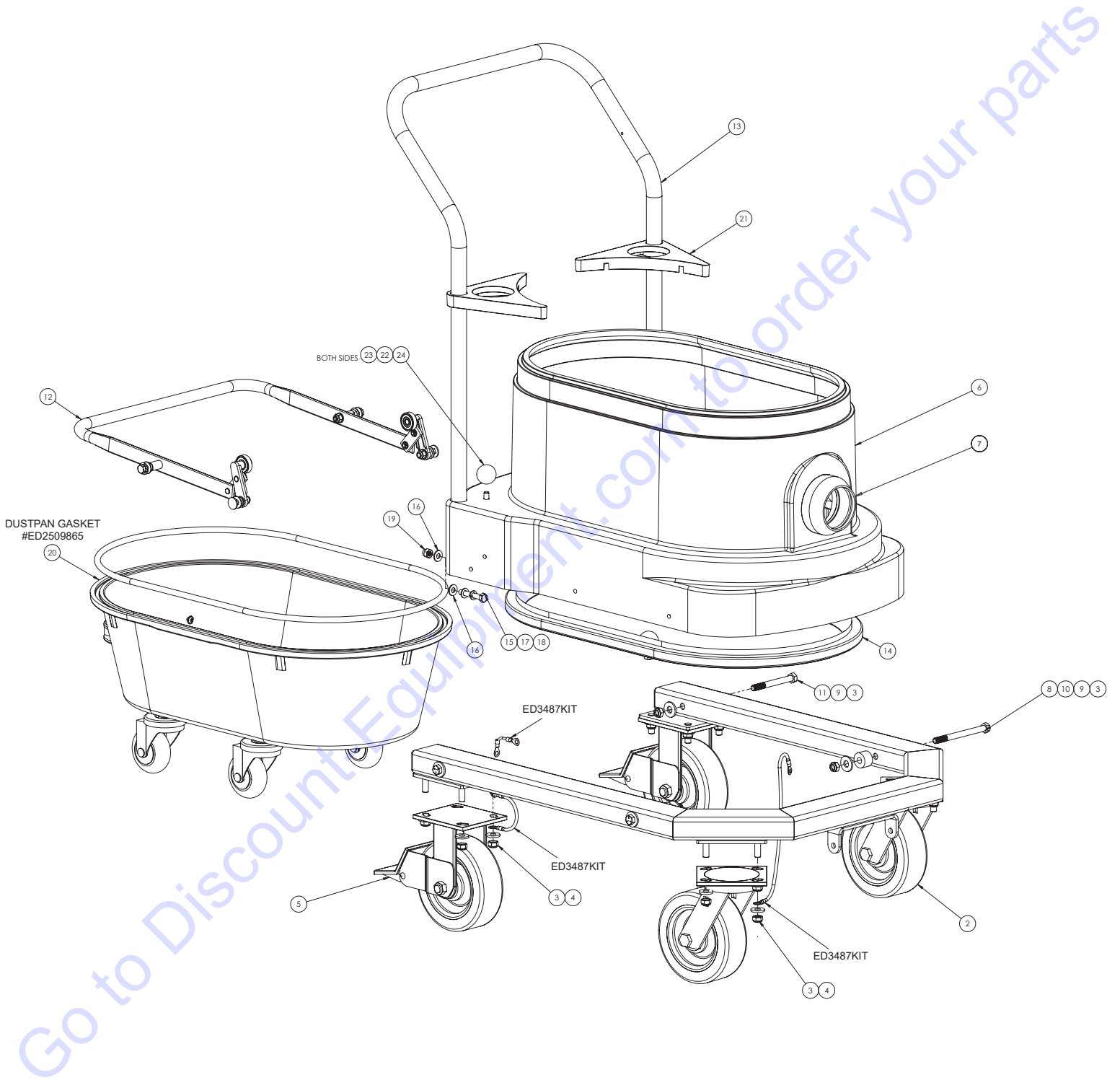
ITEM #	PART #	DESCRIPTION	QTY.
1	ED32835001	LRG. HOUSING SPACER, D1-WS, HEPA, BLACK	1
2	ED34947	HEPA ADAPTER PLATE, DS1	1
3	ED35211	HEPA FILTER 40 SQ FOOT, WS, DS1	1
4	ED34949	HEPA HOLD DOWN BRACKET, WS	4
5	ED25143	MINIHELIC, WITH MTG BRKT 10"WC	1
6	ED25149	HOSE BARB, 1/8 X 1/8, STRAIGHT	1
7	ED31376002	GASKET, NEOPRENE, .188", 5.4FT LG	1
8	ED34817	SCREW, SOC BH, ULS, M6 X 20	5
9	ED32903	BOLT, HEX, M6 X 20 ZINC	4
10	ED20039	WASHER, SPLIT LOCK, M6 DIN 7980	4
11	ED3481701	SCREW, BH SOC, FLANGED, M6 X 25	2
12	ED25000	WASHER, EXT. STAR 1/4"	2
13	ED34817A	M6 BLIND PEM	6
14	ED34800	HOSE, CLEAR, 1/8" INSTRUMENT	1FT
15	ED34998	GROUND CONNECTION, FOR BOLT	2
16	ED34819	WASHER, FENDER, M6	1
17	ED34876	NUT, LOCK M6 ZINC	1
18	ED31713	TERMINAL, 16/14 GA., PUSHON BLUE NYLON	2
19	ED34993	GROUND CABLE, 16 GAUGE, GREEN	8IN

ILLUSTRATION 3: 2.6M FILTER & MANUAL SHAKER ASSEMBLY



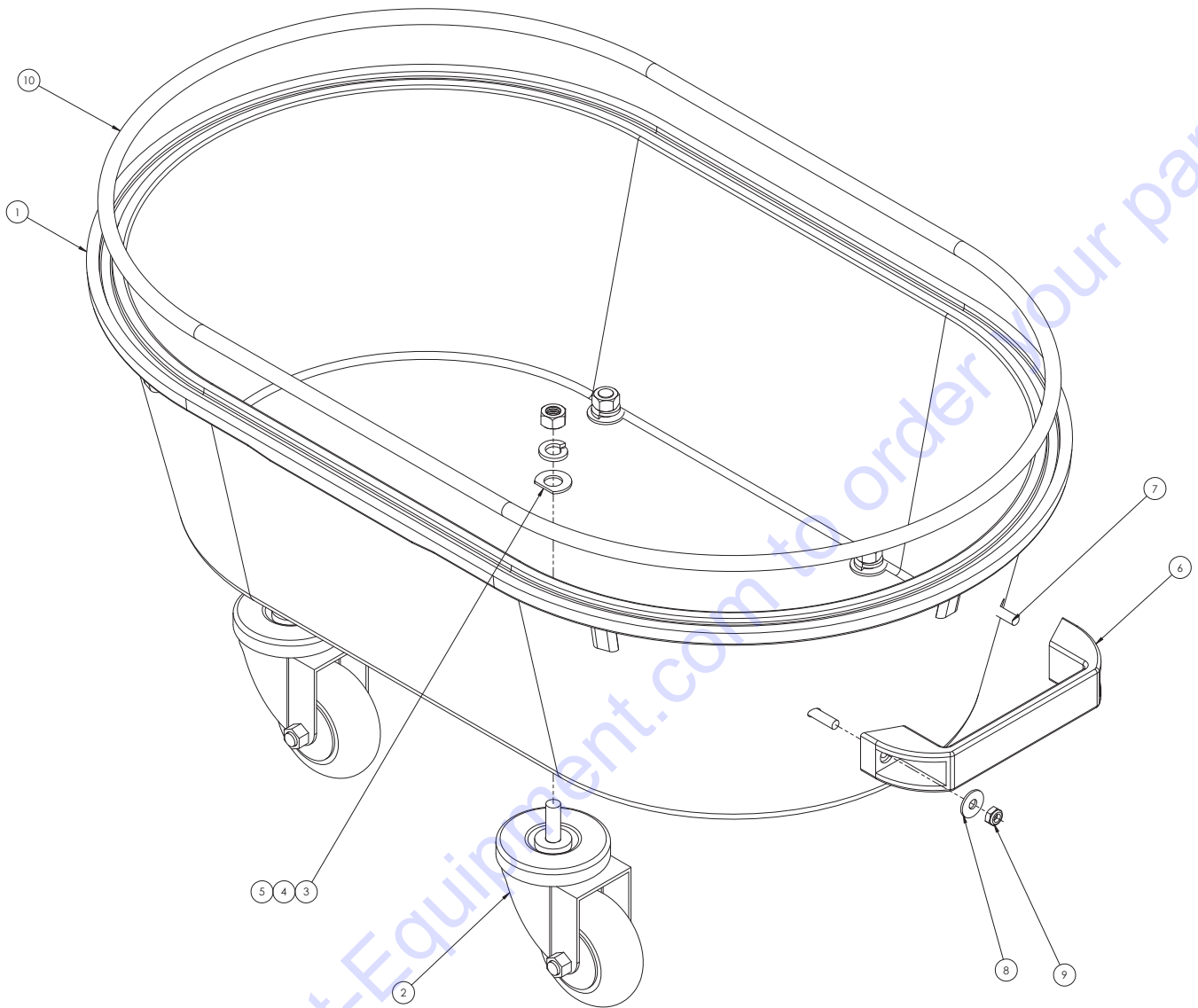
PARTS LISTING - ILLUSTRATION 3: 2.6M FILTER & MANUAL SHAKER ASSEMBLY			
ITEM #	PART #	DESCRIPTION	QTY.
1	ED32834003	HOUSING SPACER, D1, SMALL, BLACK, NO HBAR BRKT HOLES	1
2	ED32834004	HOUSING SPACER,D1,PORT,SMALL,BLACK	1
3	ED32835002	HOUSING SPACER, D1, LRG, BLACK, HANDLE SUPPORT HOLES	1
4	ED30091	FILTER, 28 SQ/FT, 2.6M	1
5	ED34807	FILTER SHAKER INSERT, 2.6M	1
6	ED34804	SLIDE BAR, FILTER MANUAL SHAKER	1
7	ED30095	FILTER BAR SUPPORT, DS1/W2	1
8	ED22565	SHAKER BAR W/ SWIVEL HANDLE	1
9	ED34806	SHAKER ROD MOUNTING SUPPORT	2
10	ED20040	NUT, HEX M8-8, DIN 934, ZINC	4
11	ED20039	WASHER, SPLIT LOCK, M6 DIN 7980	4
12	ED34815	SCREW, SOC FH CAP M6 X 30	4
13	ED34871	PLASTIC PLUG 4.5/13	4
14	ED34805	HOSE, 3/4 ID CLEAR	2
15	ED34879	SPRING CLIP, 6 X 12, CLEVIS YOKE	1
16	ED25047	CLEVIS, DIN 71752G, STEEL	1
17	ED34802	SLIDE ASSEMBLY, W/ HOOK	2
18	ED34998	GROUND CONNECTION, FOR BOLT	2
19	ED20050	WASHER, SPLIT LOCK, M8	2
20	ED25038	BOLT, HEX, M8 X 20, DIN 933, ZINC	2
21	ED20045	NUT, SQUARE, M8, ZINC	2
22	ED30091F	FILTER INSERT, 2.6M	8
23	ED3481701	SCREW, BH SOC, FLANGED, M6 X 25	10
24	ED25000	WASHER, EXT. STAR 1/4"	6
25	ED34817A	M6 BLIND PEM	6
26	ED34869	GROUND, DEFLECTOR, 2.6 FILTER	1
27	ED34819	WASHER, FENDER, M6	4
28	ED34876	NUT, LOCK M6 ZINC	7
29	ED3137766	GASKET, NITRILE SPONGE FOR D1	2
30	ED31376002	GASKET, NEOPRENE, .188", 5.4FT LG	5.4FT
31	ED20044	NUT, HEX M8-8, DIN 934, ZINC	1
32	ED34817	SCREW, SOC BH, ULS, M6 X 20	2

ILLUSTRATION 4: BASE ASSEMBLY



PARTS LISTING - ILLUSTRATION 4: BASE ASSEMBLY			
ITEM #	PART #	DESCRIPTION	QTY.
1	ED302120A	CASTER FRAME HD	1
2	ED30210C	CASTER, 6IN, SWIVEL, NO BRK, EX	2
3	ED37506	NUT, LOCK 3/8-16	20
4	ED31205	FLAT WASHER, 5/16", ZINC	16
5	ED30213C	CASTER 6" RIGID W/ BRAKE	2
6	ED32836004	LOWER HOUSING BASE, D1, BLK	1
7	ED30007A	INLET KIT, 70MM, ALUMINUM (REFER TO ILLUS. 7 FOR BREAKDOWN)	1
8	ED200515	HEX BOLT 3/8-16 X 4-1/2	2
9	ED37507	FLAT WASHER, 3/8"	8
10	ED2006601	SPACER	2
11	ED200512	HEX BOLT 3/8-16 X 3-1/2	2
12	ED20010A	DUST PAN LEVER ASSY., DS1 (REFER TO ILLUS. 6 FOR BREAKDOWN)	1
13	ED25080	PUSH HANDLE	1
14	ED20070	GASKET, DUST PAN/LOWER HOUSING	1
15	ED34810	HEX BOLT M8 X 50	2
16	ED200190	WASHER, M8 BLACK NYLON	5
17	ED20050	WASHER, SPLIT LOCK M8	2
18	ED25061	WASHER, FLAT, M8, DIN125, ZINC	2
19	ED32927	NUT, ACORN M8	2
20	ED32837002 ED2509865	D1 DUSTPAN ASM, EX CASTERS DUST PAN REPLACEMENT GASKET (REFER TO ILLUS. 5 FOR BREAKDOWN)	1 1
21	ED32039R	HANDLE SUPPORT, PLASTIC	2
22	ED25038	BOLT, HEX, M8 X 20, DIN 933, ZINC	2
23	ED25037	WASHER EXT STAR M8 ZINC	2
24	ED25060	KNOB, BLACK, 8MM	2
25	ED3487KIT	WIRE KIT, HD CASTER FRAME	1

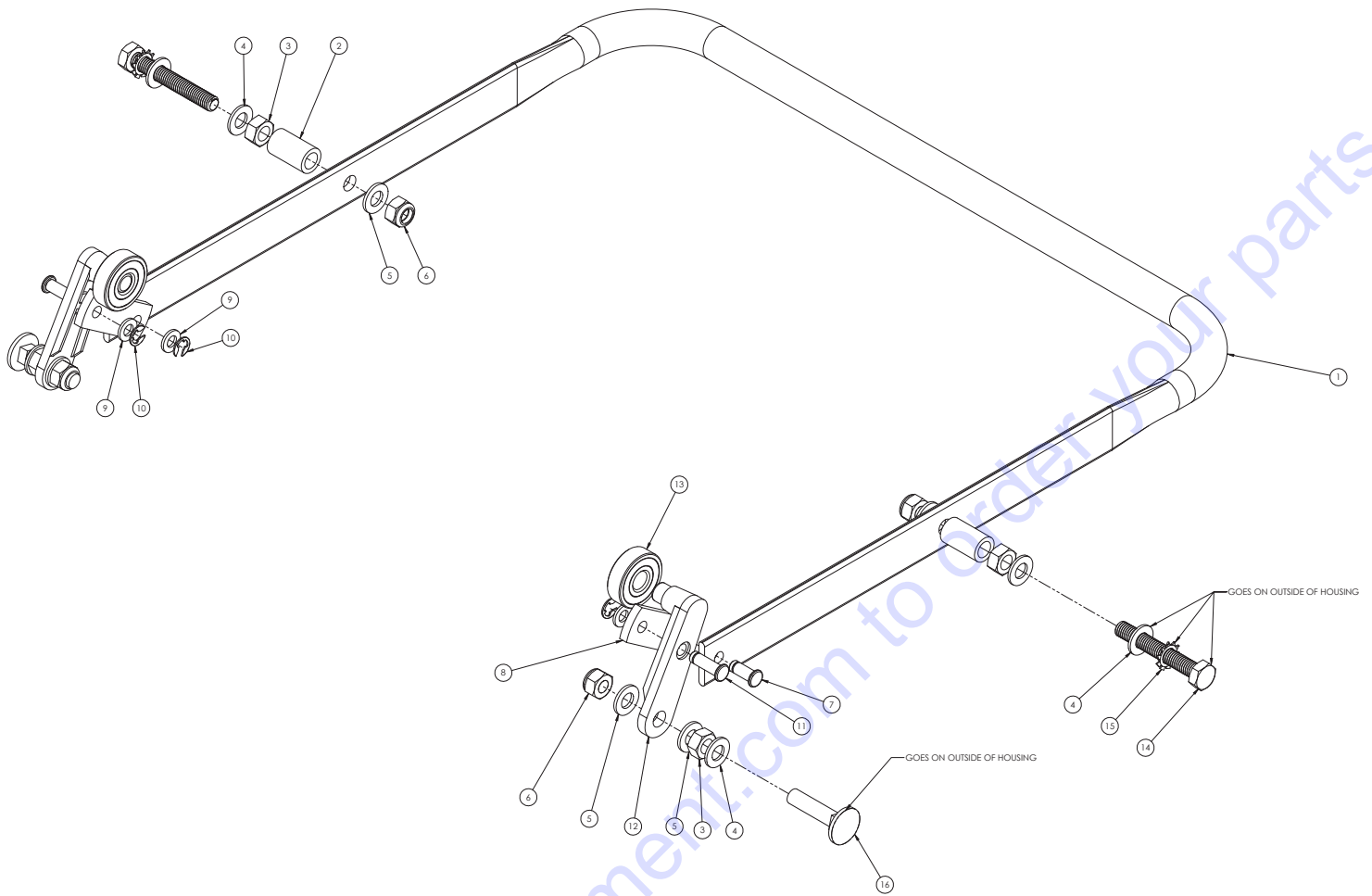
ILLUSTRATION 5: DUSTPAN ASSEMBLY



ITEM #	PART #	DESCRIPTION	QTY.
1	ED3283701	DUST PAN, 35 LITER, BLACK	1
2	ED30199	CASTER, 3IN X 1.25IN, GREY, CONDUCTIVE	4
3	EDHW4076A02	WASHER 3/8" D-SHAPED	4
4	ED37501	WASHER,SPLIT LOCK,3/8", ZINC	4
5	ED37502	HEX NUT, 3/8-16	4
6	ED21658-28	HANDLE, BLACK, 2X6MM, CUT AT A 28	1
7	ED21464	SCREW, SOC BH, FLNGD, M6 X 30	2
8	ED34819	WASHER, FENDER, M6	2
9	ED34876	NUT, LOCK M6 ZINC	2
10	ED2509865	DUST PAN REPLACEMENT GASKET	1

ILLUSTRATION 6: DUSTPAN LEVER ASSEMBLY

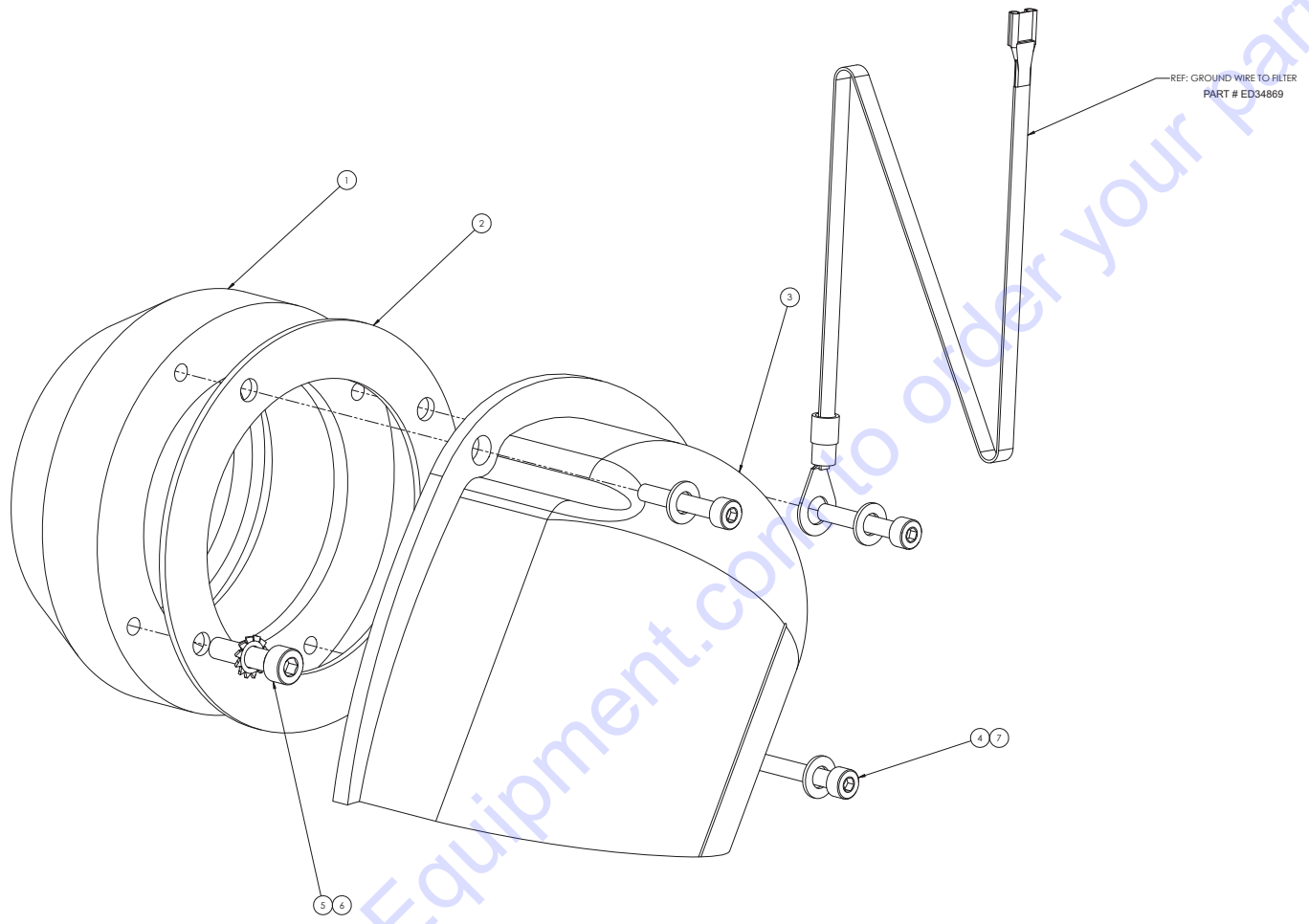
E-VAC300-PL-0218



ITEM #	PART #	DESCRIPTION	QTY.
1	ED20010	FOOT LEVER, D1	1
2	ED34812	SPACER FOR FOOT LEVER	2
3	ED20044	NUT, HEX M8-8, DIN 934, ZINC	4
4	ED34882	WASHER, FLAT/THIN M8 ZINC	6
5	ED25061	WASHER, FLAT, M8, DIN125, ZINC	6
6	ED30029	NUT, LOCK, M8, ZINC	4
7	ED34921	PIN, D6X15MM	2
8	ED20027	FLAT STEEL PIVOT	2
9	ED25067	WASHER, FLAT, M6, DIN 125, ZINC	4
10	ED34923	C SPRING CLIP, ZINC	4
11	ED34922	PIN, D6 X 19MM	2
12	ED34852*	DUST PAN TENSION LEVER (*USE ED34852A FOR KIT)	2
13	ED34853*	DUST PAN LEVER BEARING (*USE ED34852A FOR KIT)	2
14	ED34811	BOLT, HEX M8 X 55, DIN 933, ZINC	2
15	ED25037	WASHER, EXT. STAR M8 ZINC	2
16	ED25053	BOLT, CARRAIGE M8 X 35	2



ILLUSTRATION 7: 70mm INLET ASSEMBLY



ITEM #	PART #	DESCRIPTION	QTY.
1	ED30007	INLET, 70MM, ALUMINUM	1
2	ED34821	GASKET, 70MM INLET	1
3	ED32958	DEFLECTOR, 70MM., ALU., DS1/WS	1
4	ED328661	SCREW, SOC HD CAP M5 X 25 BLKCOX	3
5	ED32863	SCREW, SOC HD CAP M5 X 20 BLKCOX	1
6	ED32867	WASHER, EXT. STAR, M5, ZINC	1
7	ED328669	WASHER, FLAT, M5, SS	3

ILLUSTRATION 8: HOSE AND CONNECTOR



ITEM #	PART #	DESCRIPTION	QTY.
1	ED701225	STANDARD HOSE, 3" X 25', CRUSH-PROOF W/ CUFFS	1
	ED7012B	REPLACEMENT 3" HOSE CUFF ONLY	2
	ED501425	*OPTIONAL HOSE, 2" X 25', CRUSH-PROOF (NOT SHOWN)	1
	ED5014B	REPLACEMENT 2" HOSE CUFF ONLY	2
2	ED7018-BL	STANDARD HOSE CONNECTOR 3"BL TO 3" HOSE	1
3	ED5220-BL	OPTIONAL HOSE CONNECTOR 2"BL TO 2" HOSE	1
4	ED30009-BL	OPTIONAL ADAPTER, 3" INLET TO 2" INLET	1
*NOTE: OPTIONAL 2" HOSE REQUIRES ITEMS 3 AND 4.			

PARTS FINDER

**Search Website
by Part Number**



**Search Manual
Library For Parts
Manual & Lookup Part
Numbers – Purchase
or Request Quote**

Search Manuals

Enter your information to help us find the right parts manual for your machine.

* Brand:

* Model:

* Serial:

* Part Number:

SEARCH

**Can't Find Part or
Manual? Request Help
by Manufacturer,
Model & Description**

Parts Order Form

Please fill in the following information to help us find the right part for your machine.

Manufacturer:	<input type="text"/>
Model:	<input type="text"/>
Description:	<input type="text"/>
Part Number:	<input type="text"/>
Quantity:	<input type="text"/>
Notes:	<input type="text"/>

Discount-Equipment.com is your online resource for quality parts & equipment.

Florida: **561-964-4949** Outside Florida TOLL FREE: **877-690-3101**

Need parts?

Click on this link: <http://www.discount-equipment.com/category/5443-parts/> and choose one of the options to help get the right parts and equipment you are looking for. Please have the machine model and serial number available in order to help us get you the correct parts. If you don't find the part on the website or on one of the online manuals, please fill out the request form and one of our experienced staff members will get back to you with a quote for the right part that your machine needs.

We sell worldwide for the brands: Genie, Terex, JLG, MultiQuip, Mikasa, Essick, Whiteman, Mayco, Toro Stone, Diamond Products, Generac Magnum, Airman, Haulotte, Barreto, Power Blanket, Nifty Lift, Atlas Copco, Chicago Pneumatic, Allmand, Miller Curber, Skyjack, Lull, Skytrak, Tsurumi, Husquvarna Target, Stow, Wacker, Sakai, Mi-T-M, Sullair, Basic, Dynapac, MBW, Weber, Bartell, Bennar Newman, Haulotte, Ditch Runner, Menegotti, Morrison, Contec, Buddy, Crown, Edco, Wyco, Bomag, Laymor, EZ Trench, Bil-Jax, F.S. Curtis, Gehl Pavers, Heli, Honda, ICS/PowerGrit, IHI, Partner, Imer, Clipper, MMD, Koshin, Rice, CH&E, General Equipment, Amida, Coleman, NAC, Gradall, Square Shooter, Kent, Stanley, Tamco, Toku, Hatz, Kohler, Robin, Wisconsin, Northrock, Oztec, Toker TK, Rol-Air, APT, Wylie, Ingersoll Rand / Doosan, Innovatech, Con X, Ammann, Mecalac, Makinex, Smith Surface Prep, Small Line, Wanco, Yanmar