

# OWNERS MANUAL

## Blockbuster® Compact Masonry Saw



### MODELS

BBC157 BBC207

BBC307 BBC547

BBC507



[www.Discount-Equipment.com](http://www.Discount-Equipment.com)



Form BBC157-207-307-547-507 Manual Rev 9-2019

# PARTS FINDER

**Search Website  
by Part Number**



**Search Manual  
Library For Parts  
Manual & Lookup Part  
Numbers – Purchase  
or Request Quote**

**Search Manuals**

Enter the model number of the equipment you are looking for to search for parts.

\* Brand:

\* Model:

\* Serial:

SEARCH

**Can't Find Part or  
Manual? Request Help  
by Manufacturer,  
Model & Description**

**Parts Order Form**

Please fill in as much information as possible to help us find the right part for you.

Manufacturer:

Model:

Serial:

Description:

Quantity:

Part Number:

Part Name:

Part Location:

Part Drawing:

Part Photo:

Part Notes:

Submit

Discount-Equipment.com is your online resource for quality parts & equipment.

Florida: **561-964-4949** Outside Florida TOLL FREE: **877-690-3101**

**Need parts?**

Click on this link: <http://www.discount-equipment.com/category/5443-parts/> and choose one of the options to help get the right parts and equipment you are looking for. Please have the machine model and serial number available in order to help us get you the correct parts. If you don't find the part on the website or on one of the online manuals, please fill out the request form and one of our experienced staff members will get back to you with a quote for the right part that your machine needs.

We sell worldwide for the brands: Genie, Terex, JLG, MultiQuip, Mikasa, Essick, Whiteman, Mayco, Toro Stone, Diamond Products, Generac Magnum, Airman, Haulotte, Barreto, Power Blanket, Nifty Lift, Atlas Copco, Chicago Pneumatic, Allmand, Miller Curber, Skyjack, Lull, Skytrak, Tsurumi, Husquvarna Target, , Stow, Wacker, Sakai, Mi-T- M, Sullair, Basic, Dynapac, MBW, Weber, Bartell, Bennar Newman, Haulotte, Ditch Runner, Menegotti, Morrison, Contec, Buddy, Crown, Edco, Wyco, Bomag, Laymor, Barreto, EZ Trench, Bil-Jax, F.S. Curtis, Gehl Pavers, Heli, Honda, ICS/PowerGrit, IHI, Partner, Imer, Clipper, MMD, Koshin, Rice, CH&E, General Equipment, ,AMida, Coleman, NAC, Gradall, Square Shooter, Kent, Stanley, Tamco, Toku, Hatz, Kohler, Robin, Wisconsin, Northrock, Oztec, Toker TK, Rol-Air, Small Line, Wanco, Yanmar

# WARRANTY

Norton warrants all products manufactured by it against defects in workmanship or materials for a period of one (1) year from the date of shipment to the customer.

The responsibility of Norton under this warranty is limited to replacement or repair of defective parts at Saint-Gobain Abrasives, Inc. Stephenville, Texas factory, or at a point designated by it, of such part as shall appear to us upon inspection at such point, to have been defective in material or workmanship, with expense for transportation borne by the customer.

In no event shall Norton be liable for consequential or incidental damages arising out of the failure of any product to operate properly.

Integral units such as **gasoline engines, electric motors, batteries, tires, transmissions, etc.**, are excluded from this warranty and are subject to the prime manufacturer's warranty.

This warranty is in lieu of all other warranties, expressed or implied, and all such other warranties are hereby disclaimed.

**Important: Before placing equipment in operation, record the following information.**

**MODEL:** \_\_\_\_\_ **SERIAL NO.** \_\_\_\_\_

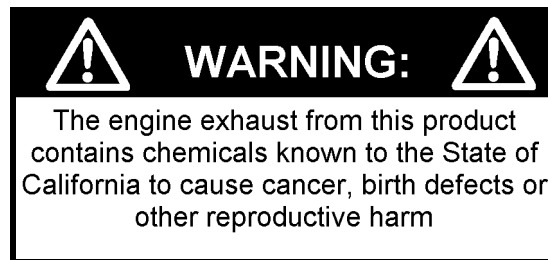
**PURCHASE FROM:** \_\_\_\_\_

**ADDRESS:** \_\_\_\_\_

**CITY** \_\_\_\_\_ **STATE** \_\_\_\_\_ **ZIP** \_\_\_\_\_

**TELEPHONE NO.** \_\_\_\_\_

***Before using this equipment, make sure that person using it  
Read and understand the instructions in this owner's manual.***



# BBC 157/207/307/547/507 OWNER'S MANUAL

CONTENTS		PAGE
<b>I. Preparation</b>		
A. Safety Precautions		4-6
B. Assembly		7-12
C. Specifications		13
D. Electrical Connections		14
E. Wiring Diagram		15-18
F. Electrical Motor Trouble Shooting		19
G. Gasoline Engine		19-20
<b>II. Operation</b>		
A. How to mount Blade		21
B. How To Use "Step Cutting" With Abrasive Blades		22
C. How To Use "Jam Cutting" And "Step Cutting" With Diamond Blades.		23
D. Dry Cutting		24
E. Wet Cutting		24
<b>III. Maintenance</b>		
A. V-Belts		25-26
B. Electric Motor		27
C. Gasoline Engine		27-28
D. Blade Shaft Bearings		29
E. Water Pump		29
<b>IV. Parts List Section</b>		
A. Ordering Information		30
B. Parts List		30-39
Power Plant Gasoline BBC157/507		31-32
Power Plant Electric: BBC157/BBC207/BBC307		33
Frame Common All: BBC157/BBC207/BBC307/BBC547/BBC507		34-35
Cutting Head All: BBC157/BBC207/BBC307/BBC547/BBC507		36-37
Cutting Table All: BBC157/BBC207/BBC307/BBC547/BBC507		38-39
C. Baldor Service Policy		40
D. Honda Service Policy		41



## Read Owners Manual Before Use

Safety Alert Symbol: Information Following This Symbol Is Very Important.

## Use Only Norton Clipper Diamond Blades

# I. PREPARATION

## A. Safety Precautions

**Important! The following safety precautions must always be observed.**

### Hazard Symbols



Fuel (gasoline) is extremely flammable and its vapors can explode if ignited. Store gasoline only in approved containers, in well-ventilated, unoccupied approved areas, and away from sparks or flames. Do not fill the fuel tank while the engine is hot or running. Do not start the engine near spilled fuel. Never use the fuel as a cleaning agent



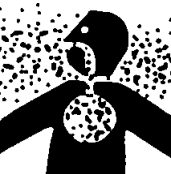
Engine components can get extremely hot from operation. To prevent burns, do not touch the engine or related parts while the engine is running or immediately after it is turned off. Never operate the engine with any heat shields or guards removed.



Keep all guards in place when operating any piece of equipment



Keep hands, feet, hair, and clothing away from all rotating parts



Lethal Exhaust Gas use only in well ventilated areas. Engine exhaust gases contain poisonous carbon monoxide, which is odorless, colorless, and can cause death if inhaled. Avoid inhaling exhaust fumes, and never run the engine in a closed building or confined area



Never tamper with the governor components of settings to increase the maximum speed. Severe personal injury and damage to the engine or equipment can result if operated at speed above maximum. Always obey the maximum speed rating of blade.



**DO NOT LIFT THE SAW BY THE HANDLE BARS**

# **WARNING**

## **Dust and Silica Warning**

Grinding/cutting/drilling of masonry, concrete, metal and other materials can generate dust, mists and fumes containing chemicals known to cause serious or fatal injury or illness, such as respiratory disease, cancer, birth defects or other reproductive harm. If you are unfamiliar with the risks associated with the particular process and/or material being cut or the composition of the tool being used, review the material safety data sheet and/or consult your employer, the material manufacturer/supplier, governmental agencies such as OSHA and NIOSH and other sources on hazardous materials and make certain to comply with all product warnings and instructions for the safe and effective use of the material being cut. California and some other authorities, for instance, have published lists of substances known to cause cancer, reproductive toxicity, or other harmful effects.

Control dust, mist and fumes at the source where possible. In this regard use good work practices and follow the recommendations of the manufacturer/supplier, OSHA/NIOSH, and occupational and trade associations. Water should be used for dust suppression when wet cutting is feasible. When the hazards from inhalation of dust, mists and fumes cannot be eliminated through engineering controls such as either vacuum and/or water mist, the operator and any bystanders should always wear a respirator approved by NIOSH/MSHA for the material being cut.

### **California Proposition 65 Message**

Some dust created by power sanding, sawing, grinding, drilling, and other construction activities contain chemicals known (to the State of California) to cause cancer, birth defects or other reproductive harm. Some examples of these chemicals are:

- Lead, from lead-based paints
- Crystalline silica, from bricks and cement and other masonry products
- Arsenic and chromium, from chemically treated lumber



**Eye Protection**



**Hearing Protection**



**Respiratory Protection**



**Head Protection**

1. Before mounting any blade on the saw, the blade should be inspected for any damage which might have occurred during shipment, handling or previous use.
2. The blade collars and arbors should be cleaned and examined for damage before mounting the blade.
3. The blade must be properly fitted over the arbor with the drive pin on the outside collar projecting through the drive pinhole on the blade and inside collar.
4. The blade shaft nut, which is a left-hand thread nut, must be tightened securely against the outside blade shaft collar.
5. The blade must be operated within the specified maximum operating speed listed on the blade.
6. Turn water control valve to full to provide adequate coolant (4 to 6 gallons per minute) for diamond blades and wet cutting abrasive blades. Insufficient coolant could result in severe blade breakage or diamond segment separation.
7. The blade guard must be in place with the nose guard down and locked when the saw is running.
8. The operator should wear safety glasses and any other appropriate safety equipment.
9. When starting the saw, the operator should stand away and to the side of the blade.
10. If for any reason the saw should stall in the cut, raise the blade out of the cut. Check the outside blade shaft collar and nut for tightness. Inspect the blade for damage before restarting the saw. Use caution when resuming a cut. Be certain that the blade is in alignment with the previous cut.
11. During cutting operations, do not exert excess side pressure on the handles as a method of steering. Do not force the blade into the cut by lowering the blade too fast or by pushing the saw too fast.



**You Are Responsible For Your Safety!!!**

# I. PREPARATION

## B. Assembly

The compact Masonry saws are shipped completely assembled and ready for use except for diamond blade, gasoline, oil, and Head Locking Bar. Inspect the saw for shipping damage. If any damage is found, contact the shipper immediately and file a freight claim.

**The Norton Company is not responsible for any freight-related damages.**

Remove the saw from the pallet.

Items Included with the saw:

UPC	Part Number	Item	QTY
00310006528	82738	Head Locking Handle With Stud	1
00310002135	75817	Leg Kit (Contains Legs and Cap) Set of Four (4)	1
00310007367	83754	Conveyor Cart Assembly	1
00310007501	83892	Guide-A-Cut Assembly	1
00310004633	75132	Water Curtain Assembly	1
00310004053	70807	Wrench 19 mm	1
00310004199	72143	Wrench 22mm	1
00310004237	72305	Water Pump Assembly (Gasoline Powered Machines Only)	1
70184668392	214169	Water Pump PE-1	1
70184650470	9602010	Fitting Barb Hose ¼" FPT X ½ Male Barb (Electric Models Only)	1
**	**	14" Genuine Norton Diamond Blade for Brick And Block	1

\*\* = Contact Customer Service For Details

### Head Locking Handle:

Remove the Head Locking Screw from the machine (see *Figure: Head Locking Screw Removal*). Replace the Head Locking Screw with the Head Locking Handle located in the plastic bag of accessories (see *Figure: Head Locking Handle Installation*). Read and understand the remaining sections of this Owners Manual.

The Head Locking Handle is used to lock the cutting head at a set position or depth of cut. The Head Locking Screw is only used to hold the Cutting Head of the machine in place at the Norton Company Factory.

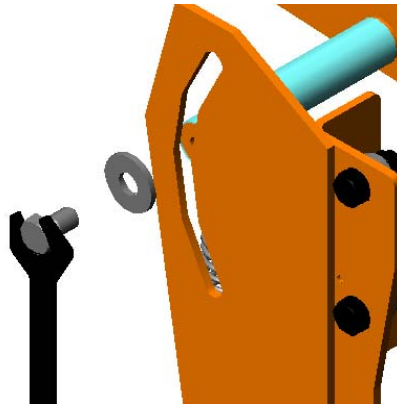


**Do not install the blade until it is time to use the saw!**

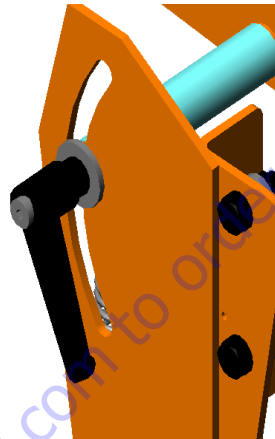


**ANSI regulations prohibit the transportation of any concrete saw with the blade installed!**





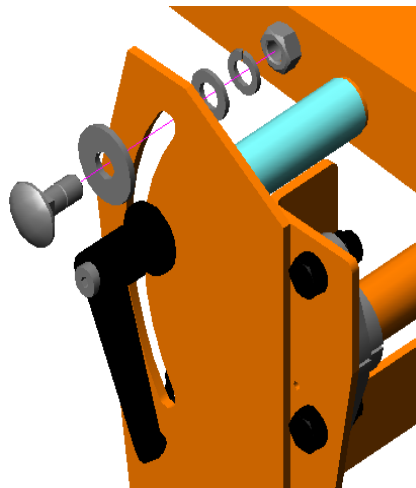
**Figure 1: Head Locking Screw Removal**



**Figure 2: Head Locking Handle Installation**

**Depth Limiting Bolt:**

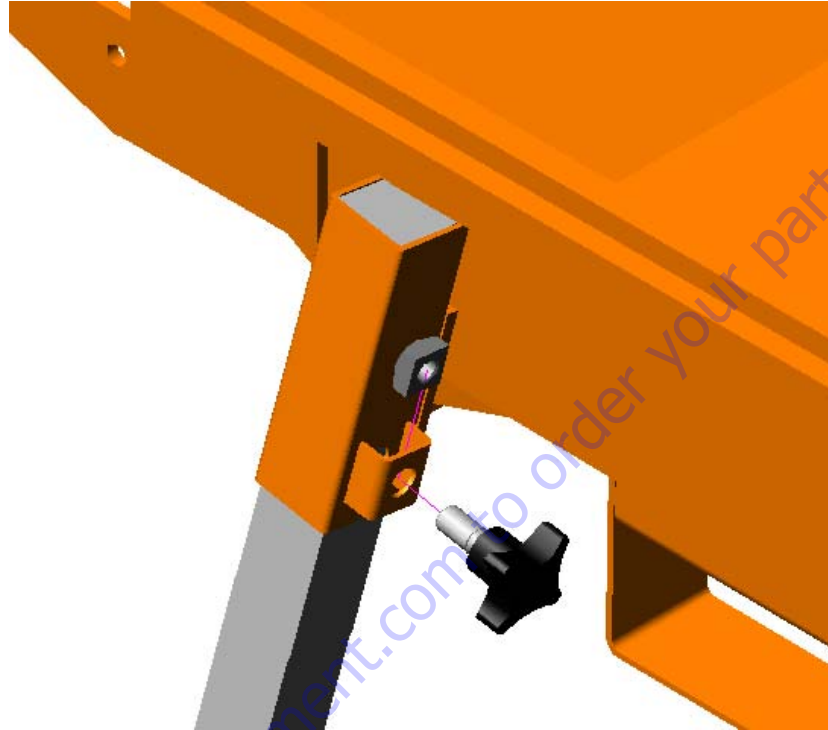
Remove the 12mm Carriage Bolt, 12mm Large Flat Washer (DIN9021), 12mm Flat Washer, 12mm Lock Washer, and 12mm Nut from the plastic Bag. Place the 12mm Large Washer over the 12mm Carriage Bolt. Slide the 12mm Carriage thru the Head Locking handle Slot either above the Head Locking Handle (to limit the depth of cut) or below the Head Locking Handle (to limit the tilt angle of the Cutting Head) and attach the 12mm Flat Washer, 12mm Lock Washer, and 12mm Nut as show in **Figure 3: Depth Limiting Bolt Assembly**.



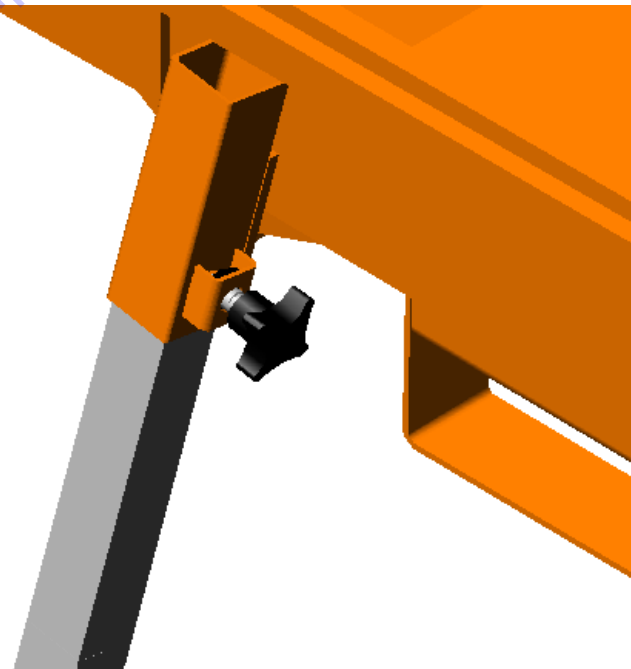
**Figure 3: Depth Limiting Bolt Assembly**

**Leg Assembly:**

Remove the four (4) Legs from the Saw Water Pan, and the four (4) Plastic Handle Knobs and four (4) Square Nuts from the plastic bag. Place one (1) Square Nut into each of the Nut Retaining Brackets located on each of the Leg Holders. Attach one (1) Plastic Knob to each of the Square Nuts as shown in **Figure 4: Plastic Knob Attachment**. NOTE: Do not tighten Plastic Knobs at this time. Place one (1) Leg into each of the Leg Holders and tighten the Plastic Knobs see **Figure 5: Leg Attachment**.



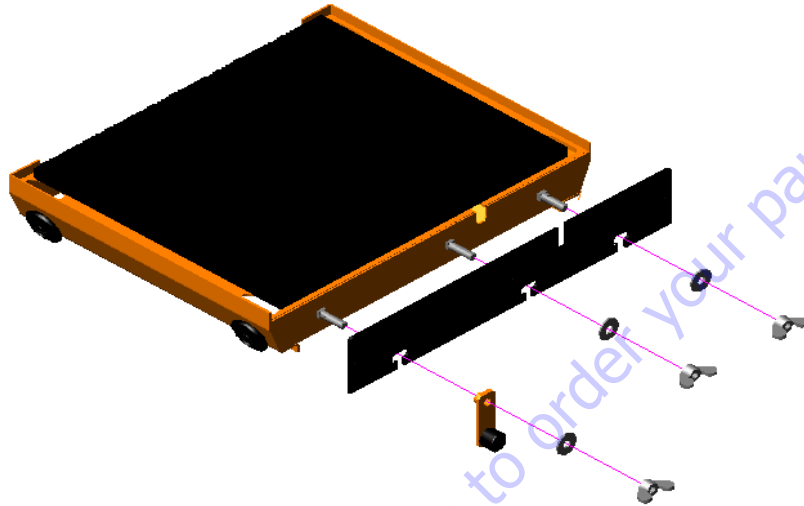
**Figure 4: Plastic Knob Attachment**



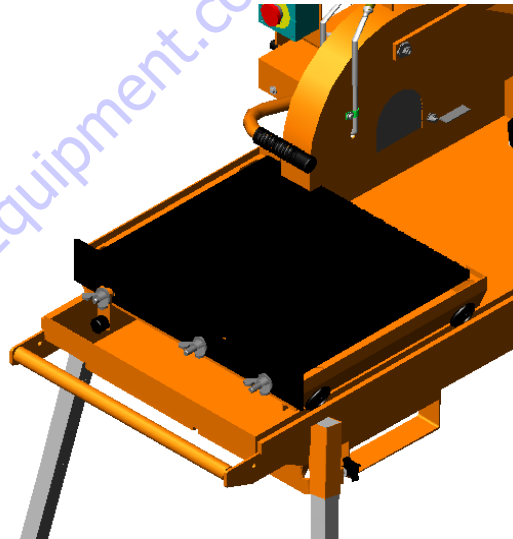
**Figure 5: Leg Attachment**

### **Conveyor Cart Assembly:**

Remove the Conveyor Cart and Back Stop from the Saws Water Pan, and the Wing Nuts, Carriage Bolts, Washers, and Cart Stop from the plastic bag. Slide one (1) Carriage Bolt thru each of the three (3) Square Holes located on the front of the Conveyor Cart. Slide the Back Stop Over each of the Carriage Bolts. Slide the Stop Assembly over the Carriage Bolt Located on the Left front of the Conveyor Cart NOTE: The Rubber Stop will faces away from the Conveyor Cart. Attach one (1) Washer and one (1) Wing Nut to each Carriage Bolt and Tighten. **See Figure 6: Back Stop Assembly.** Place the Conveyor Cart on the Machine **see Figure 7: Conveyor Cart Installation.**



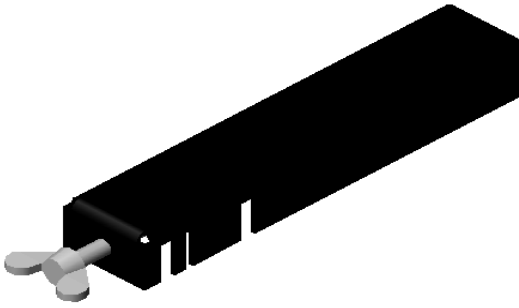
**Figure 6: Back Stop Assembly**



**Figure 7: Conveyor Cart Installation**

### **Guide-A-Cut Assembly:**

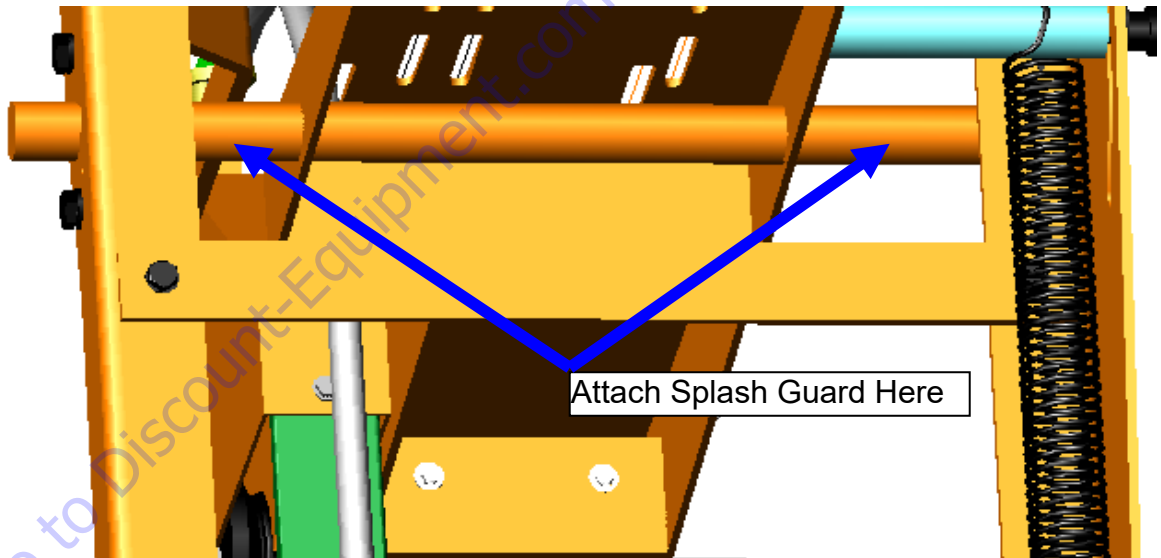
Attach the Guide-A-Cut to the Conveyor Cart by adjusting the Wing Bolt until the Guide-A-Cut can slide over the Black Stop. The Guide-A-Cut will work as a Rip Guide that is adjustable for 90° and 45° cuts. See **Figure 8: Guide-A-Cut Assembly.**



**Figure 8: Guide-A-Cut Assembly**

**Water Curtain Assembly:**

Remove the Water Curtain from the Saw Water Pan. Attach the Water Curtain Spring Clips to the Pivoting Bar Located Under the Cutting Head. Note that the rough side of the Water Curtain should face towards the front of the saw. The Water Curtain material is made is designed to be easy to clean. To clean simply rinse the Water Curtain with water until clean. The Water Curtain should be used when wet cutting to reduce the amount of debris thrown from the blade and cutting surface. When dry cutting the Water Curtain can be removed to allow the dust particles to drift away from the Saw Operator. See **Figure 9: Water Curtain Assembly.**



**Figure 9: Splash Guard Assembly**

**Wrenches:**

Remove the 19mm and 22mm Wrenches from the plastic bag. Place the Wrenches in the Wrench Holder Slots located in the rear of the machine see **Figure10: Wrench Placement.**

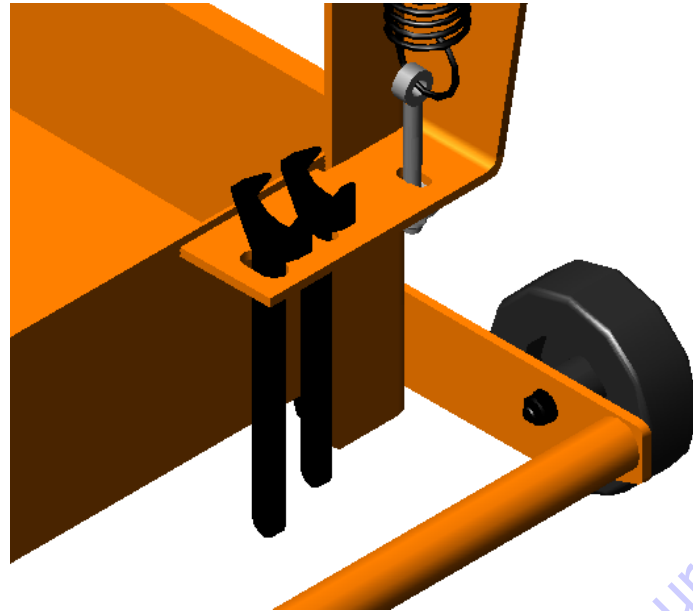


Figure 10: Wrench Placement

**Water Pump Assembly:**

The Water Pump requires no additional assembly.

Go to [Discount-Equipment.com](http://Discount-Equipment.com) to order your parts

# I. PREPARATION

## C. BBC157/207/307/547/507 Series Masonry Saw Specifications

<b>Dimensions/Weight</b>	
Length (Working)	60" (1524mm)
Width	24" (965mm)
Height (Electric)	34" (864mm)
Height (Gas)	38" (965mm)
Weight (Electric) Uncrated	250lbs (kg)
Weight (Gas) Uncrated	275lbs (kg)
<b>Electric Motor</b>	
Motor Mfg.	Baldor
Motor Type	TEFC, Thermal Protection
Motor Voltages	115-230 (Switch able) 60 Hz single Phase
Motor RPM	3450
BBC157 Horse Power	1-1/2 HP
BBC157 Amp Draw	13.4 Amp @ 115v, 6.7 Amp @ 230v
BBC207 Horse Power	2 HP
BBC207 Run Amp	16.8 Amp @115v, 8.4 Amp @ 230v
BBC307 Horse Power	3 HP
BBC307 Run Amp	14.3-14.5 Amp @ 230v
<b>Engine</b>	
Engine Mfg.	Honda
Model	GX160
Spec No.	GX160K1QXC9
Engine Type	Single Cylinder 4 Cycle
Horse Power	5.5 hp (4.0 kW) @ 3,600 rpm
Max Torque	8 ft-lbs (11 Nm, 1.1 kg-m) @ 2,500 rpm
Cooling System	Forced Air
Oil Capacity	0.6 liter (0.63 US qt)
Fuel Capacity	3.6 liter (0.95 US gal)
Fuel Type	Unleaded Gasoline (86 pump octane)
Fuel Consumption	310 g/kWh (0.51 lb/Hp hr)
Low Oil Sensor	Yes
Air Filtration	Four Stage Cyclone
<b>Characteristics</b>	
Max Blade	Ø14" (356 mm) BBC157, BBC207, and BBC547 Ø20" (203 mm) BBC307 & BBC507
Depth of Cut	20" (508 mm) 8" (203 mm) 14" (356 mm) 5" (127 mm) 12" (305 mm) 4" (102 mm)
Arbor Bore	1" (25.4 mm)
Blade Shaft Locking Device	Machined Into Flats Of Tight Collar
Blade Shaft Speed	2900 rpm
Depth Control	Hand Feed With Return Spring
Depth Lock	Standard
Number Of V-Belts	1
Blade Guard Type	All Steel Construction
Stay Level Blade Guard	Yes
Fork Lift Brackets	Built In
Rolling Wheels	Standard
Water Pump	Standard, Mechanically Belt Driven
Sound pressure <sup>1</sup> (Gasoline Engine)	88 db (A)
Sound power <sup>1</sup> (Gasoline Engine)	105 db (A)

1) The sound measures have been made following pr EN 12638, Annex A; 2) " Floor sawing, grooving and milling machines – Safety "

# I. PREPARATION

## D. Electrical Connections



**Important**-Before connecting the motor leads to the power supply be sure that the voltage, cycles and phase shown on the nameplate of the motor correspond to the available power supply.

### Voltage Selection For Single Phase Motors

1-1/2 HP and 2 HP single phase masonry saw motors have a dual voltage capable. A 115-volt or 230 volt power supply can be used. To change voltage simply move the voltage change switch located on the front of the motor to the required voltage, no rewiring is required.

Wherever possible, use 230-volt power supply for best operation.

BBC307 3 HP models are 230 volt only.



Failure to run the motor on the proper voltage will damage the motor and is not covered under warranty. Improperly wired motors are not covered under warranty.

### **BBC157 & BBC207 models are wired for 115 Volt from the factory!!!**

#### Power Connections

Connect the power supply to the pigtail leads of the switch. Direct wiring connection is preferred, but an extension cord with an electrical plug with 30-amp minimum capacity may be used. A 30-amp circuit breaker is recommended. Connecting wires should be as short as possible and in one piece. In no case should the connecting wires be longer than shown in the following table for 1-1/2, 2, and 3 HP. Single-phase motors:

Wire gauge	Length Of Wire	
	115 volt	230 volt
12 AWG	50' (15m)	100' (30.4m)
10 AWG	50' (15m)	150' (45.7m)

**Caution-When wires that are too small gauge or too long are used, loss of power, over heating, or possible damage to the motor will result. For the best performance and cost use a 10 AWG 50 foot (15 meter) extension cord.**



Always use the proper wiring connectors that are UL/CSA approved to attach the motor to the electrical supply. Any wiring hook ups should be made by qualified personal and made to National Electrical Code and to any Local Codes.

### **Generators:**

If a generator must be used, it must be of 8kW or larger. The generator must have a 30A circuit and capable of providing a minimum of 8kW at the required voltage. Under size generators will cause motor damage and is not covered under warranty.

## D. Wiring Diagram

Be sure to ground the saw properly before operating, such as a ground wire connection provided by the power company.

Model	Part#	UPC#	Description	HP	Volts	Hz	PH	Baldor Specification	Baldor Drawing
BBC157	232084	00510003896	MOT 1.5HP 115-230v W/Switch	1.5	115-230v	60	1	35R833X136G1	CD0526
BBC207	232085	00510003897	MOT 2HP 115-230v W/Switch	2	115-230v	60	1	35R834X459G1	CD0392
BBC307	232160	70184630439	MOT 3HP 230/60/1 W/Switch	3	230v	60	1	35Z497R207G1	CD0836A01

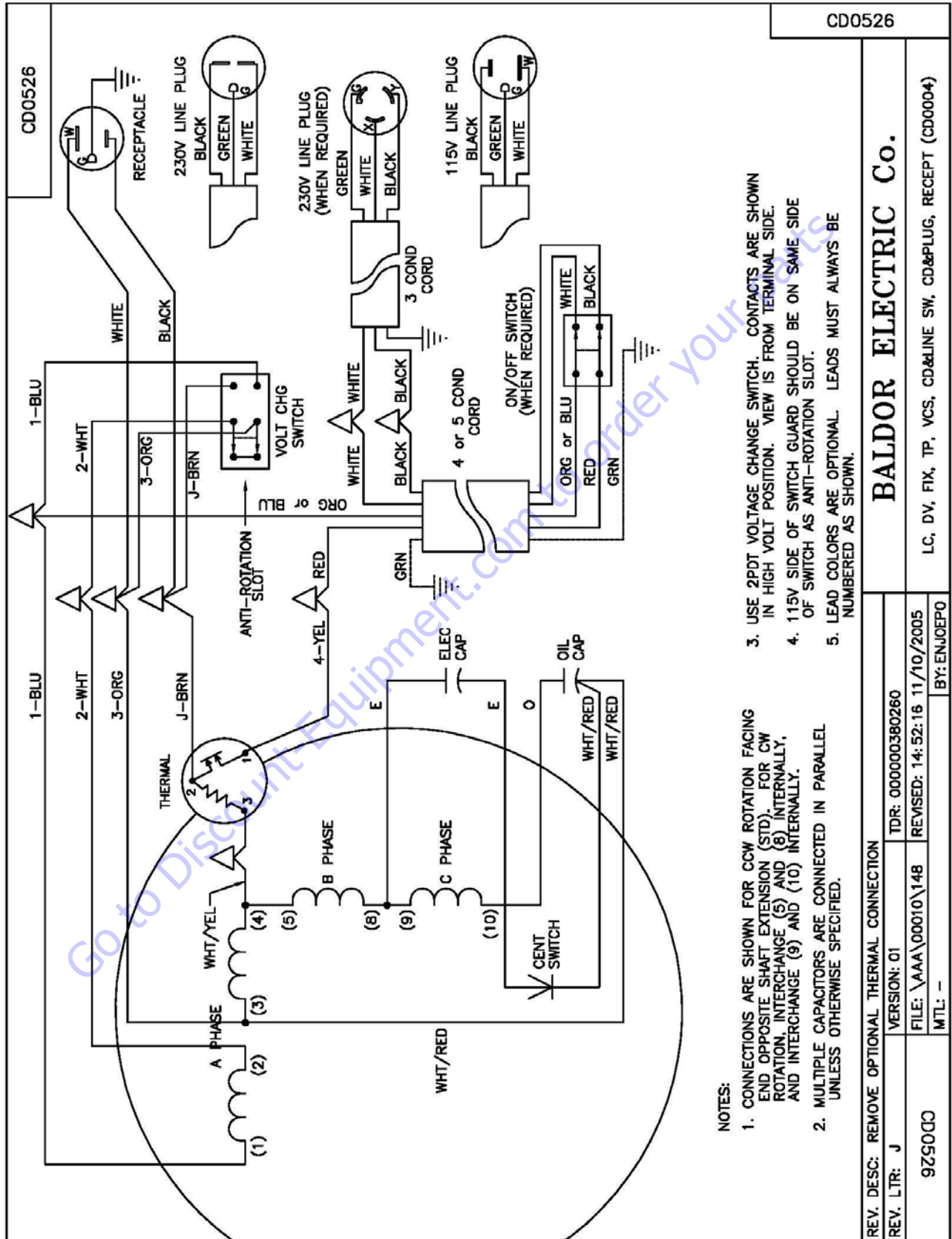
Before attempting any electrical work always verify the voltage, phase, and Baldor Motor Specification from the Motor Name Plate with the Chart Shown Above. Any failure due to misapplication of voltages and or Phase is not covered under any warranty.

Go to [Discount-Equipment.com](http://Discount-Equipment.com) to order your parts



# Wiring Diagram BBC157: 1.5 HP 115-230v/60 Hz/1 Phase

Model	Part#	UPC#	Description	HP	Volts	Hz	PH	Baldor Specification	Baldor Drawing
BBC157	232084	00510003896	MOT 1.5HP 115-230v W/Switch	1.5	115-230v	60	1	35R833X136G1	CD0526

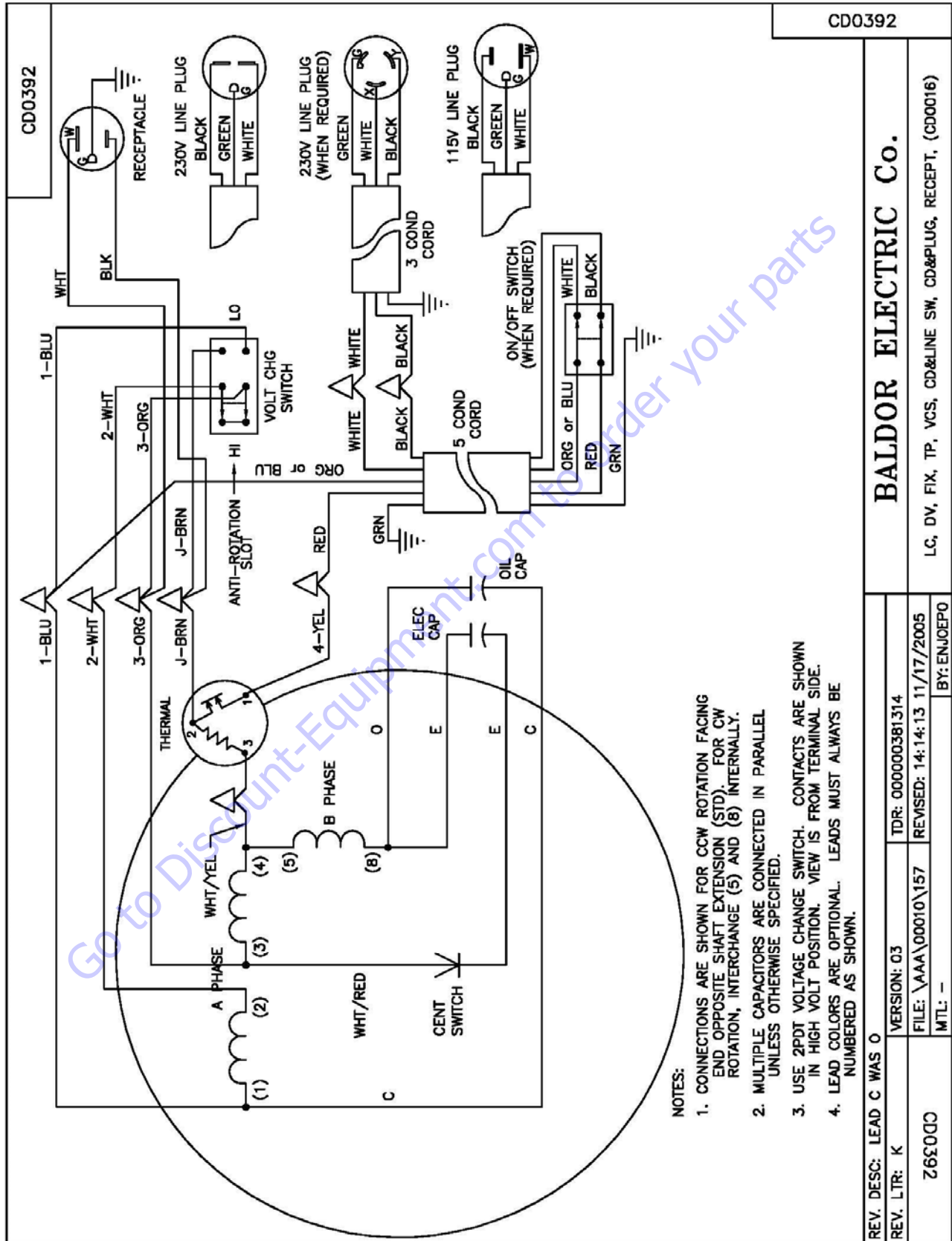


- NOTES:**
1. CONNECTIONS ARE SHOWN FOR CCW ROTATION FACING END OPPOSITE SHAFT EXTENSION (STD). FOR CW ROTATION, INTERCHANGE (5) AND (8) INTERNALLY, AND INTERCHANGE (9) AND (10) INTERNALLY.
  2. MULTIPLE CAPACITORS ARE CONNECTED IN PARALLEL UNLESS OTHERWISE SPECIFIED.
  3. USE 2PDT VOLTAGE CHANGE SWITCH. CONTACTS ARE SHOWN IN HIGH VOLT POSITION. VIEW IS FROM TERMINAL SIDE.
  4. 115V SIDE OF SWITCH GUARD SHOULD BE ON SAME SIDE OF SWITCH AS ANTI-ROTATION SLOT.
  5. LEAD COLORS ARE OPTIONAL. LEADS MUST ALWAYS BE NUMBERED AS SHOWN.

CD0526	
<b>BALDOR ELECTRIC Co.</b>	
LC, DV, FIX, TP, VCS, CD&LINE SW, CD&PLUG, RECEIPT (CD0004)	
REV. DESC: REMOVE OPTIONAL THERMAL CONNECTION	TDR: 000000380260
REV. LTR: J	VERSION: 01
925000	FILE: \AAA\00010\14B
	REvised: 14:52:16 11/10/2005
	BY: ENJOEPO
	MTL: -

# Wiring Diagram BBC207: 2 HP 115-230v/60 Hz/1 Phase

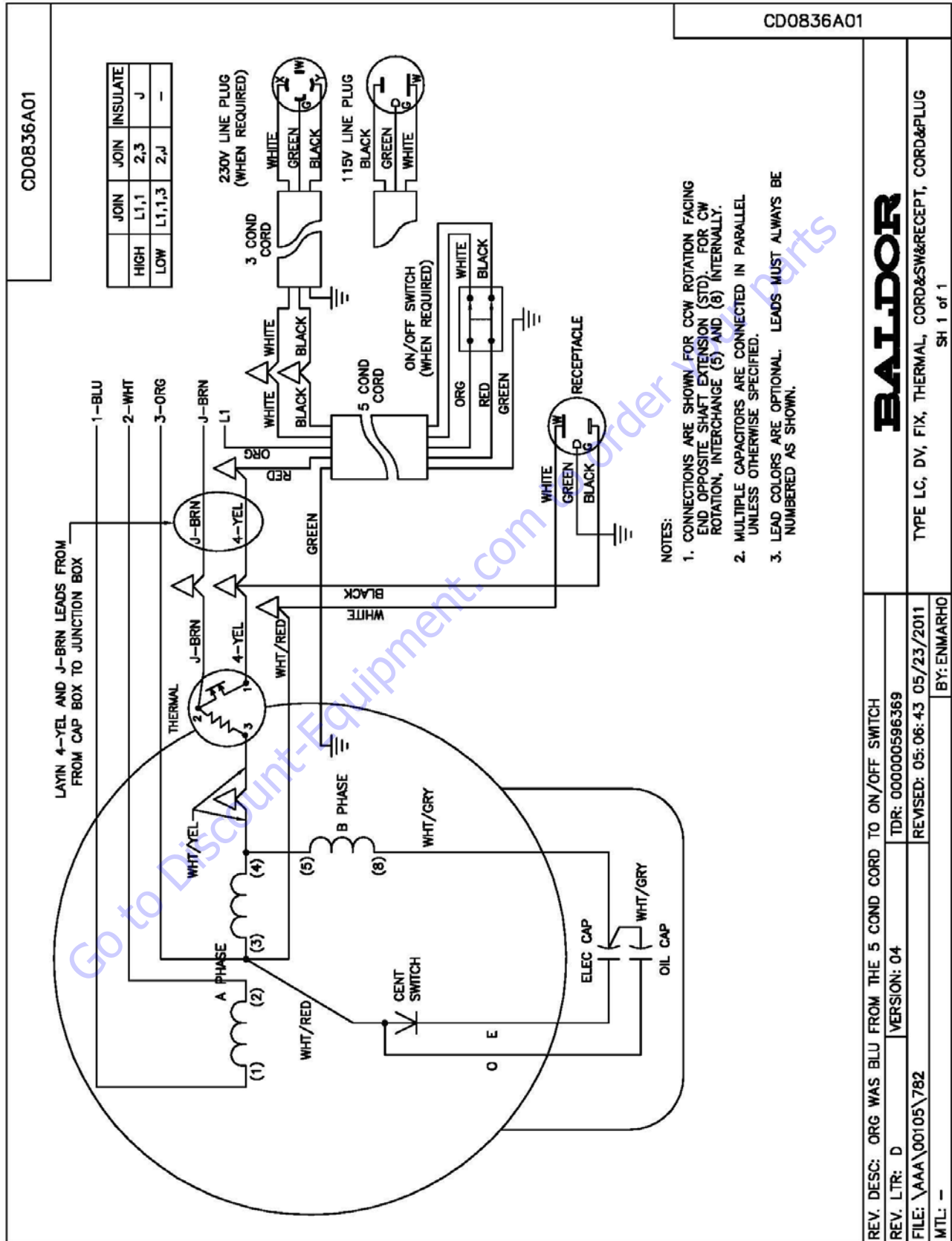
Model	Part#	UPC#	Description	HP	Volts	Hz	PH	Baldor Specification	Baldor Drawing
BBC207	232085	00510003897	MOT 2HP 115-230v W/Switch	2	115-230v	60	1	35R834X459G1	CD0392



- NOTES:**
1. CONNECTIONS ARE SHOWN FOR CCW ROTATION FACING END OPPOSITE SHAFT EXTENSION (STD). FOR CW ROTATION, INTERCHANGE (5) AND (8) INTERNALLY.
  2. MULTIPLE CAPACITORS ARE CONNECTED IN PARALLEL UNLESS OTHERWISE SPECIFIED.
  3. USE 2PDT VOLTAGE CHANGE SWITCH. CONTACTS ARE SHOWN IN HIGH VOLT POSITION. VIEW IS FROM TERMINAL SIDE.
  4. LEAD COLORS ARE OPTIONAL. LEADS MUST ALWAYS BE NUMBERED AS SHOWN.

# Wiring Diagram BBC307: 3 HP 230v/60 Hz/1 Phase

Model	Part#	UPC#	Description	HP	Volts	Hz	PH	Baldor Specification	Baldor Drawing
BBC207	232085	00510003897	MOT 2HP 115-230v W/Switch	2	115-230v	60	1	35R834X459G1	CD0392


**BALDOR**  
 TYPE LC, DV, FIX, THERMAL, CORD&SW&RECEPT, CORD&PLUG  
 SH 1 of 1
 
 REV. DESC: ORG WAS BLU FROM THE 5 COND CORD TO ON/OFF SWITCH  
 REV. LTR: D  
 FILE: \AAA\00105\782  
 MTL: -
 
 TDR: 00000596369  
 REVISION: 04  
 REVISED: 05:06:43 05/23/2011  
 BY: ENMARHO

## F. Electrical Motor Trouble Shooting:

### Circuit Breaker During Start Up or Not Cutting:

- Verify that the power supply voltage matches the motor name plate voltage



Failure to run the motor on the proper voltage will damage the motor and is not covered under warranty. Improperly wired motors are not covered under warranty.

- Verify that the circuit breaker is at least 30 amps
- Verify that the Extension Cord meets the requirements on **See: Power Connections** page 9
- Have a qualified Electrician verify that the Electrical Connections are correctly made.
- If using a generator verify that it meets the minimum requirements **See: Generators** on page 9

**Circuit Breaker Trips while cutting:** - This is an issue with the Blade or Cutting Method being used.

- Verify that the Blade Being used is correct for the material being cut
- Verify that the Blade is properly exposed
- Verify that the Blade is installed properly
- Verify the cutting method. Forcing the Blade into the material is a sign that either the Blade is **NOT** correct for the material being cut or an inexperienced operator. Let the Blade and Machine work for you do not work for the Blade and Machine.

**Overload Protector (Thermal) Trips** – This is a sign of Low Voltage, Incorrect Blade for Material being cut, or forcing the Blade through the material.

- Verify Voltage at the machine!
- Verify that the Extension Cord meets the requirements on **See: Power Connections** page 9
- Verify the cutting method. Forcing the Blade into the material is a sign that either the Blade is **NOT** correct for the material being cut or an inexperienced operator. Let the Blade and Machine work for you do not work for the Blade and Machine.
- Clean Motor by blowing out the fan cover with compressed air
- Check the Motor for a damaged fan

## G. Gasoline Engine

**Prior to attempting to operate the engine, read the information contained in the engine owner's manual. An engine owner's manual is supplied with every gasoline powered concrete saw.**

1. **Check Oil:** Add oil if low. Refer to the engine owner's manual for the recommended SAE viscosity grades. Capacity of oil is 1.1 liters (1.16 US qt)

2. **Check Fuel:** Fill if low. Use only unleaded gasoline with a pump sticker octane rating of 86 or higher is recommended. **Never use an oil and gasoline mixture!**
3. **Air Cleaner:** Never run the engine without the air cleaner! Rapid engine wear will result from contaminants being drawn through the carburetor and into the engine.
4. **Engine Starting:** Refer to the engine owner's manual for proper engine starting procedure.



**Make sure that the Cutting Head Depth Limiting Bolt Assembly is in the bottom position. The head on the Gasoline Powered Saw should only rise to a maximum of nine (9) inches above the surface of the Cutting Table**

*Go to [Discount-Equipment.com](http://Discount-Equipment.com) to order your parts*

## II. OPERATION

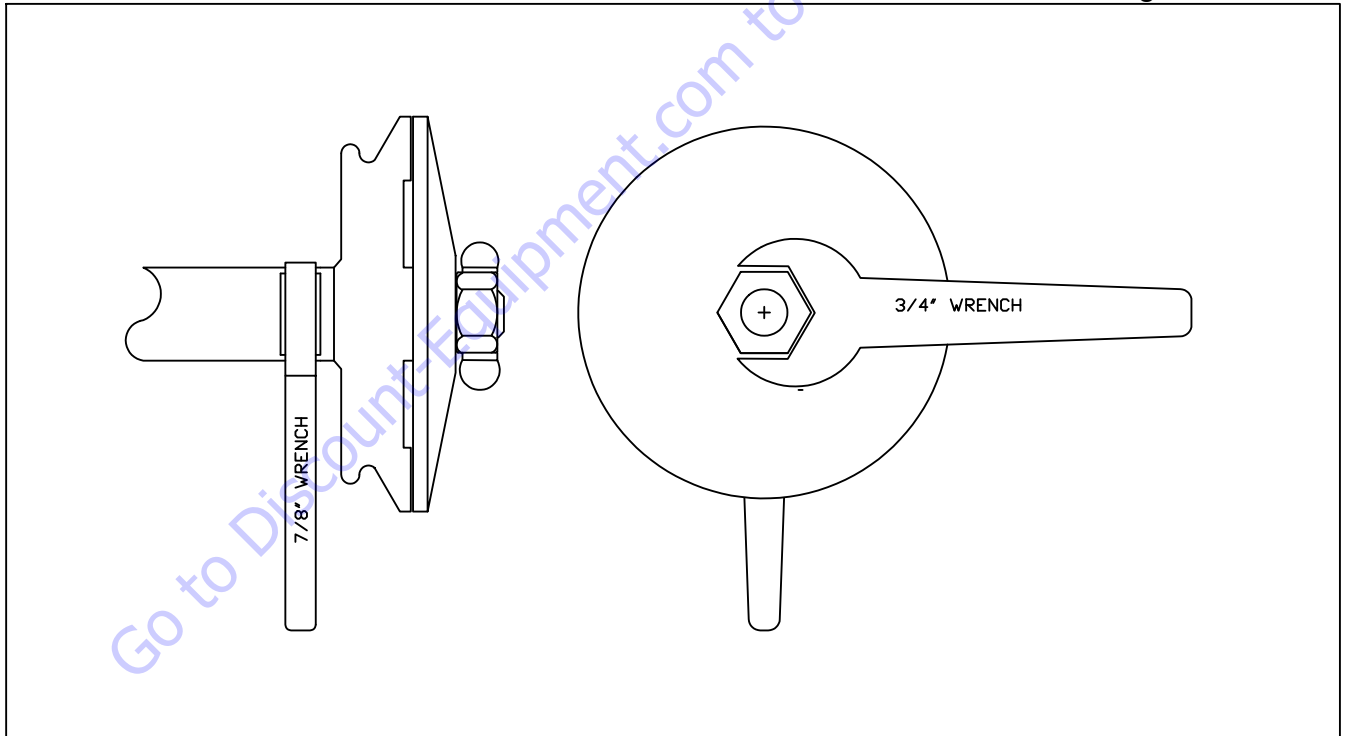
### A. Installing the Blade

1. For Gasoline powered machines disconnect the spark plug and for Electrical Powered Machines disconnect from power source.
2. Remove the blade shaft nut, (Turn clockwise), and remove the outside collar.
3. Clean off any foreign particles on the clamping surfaces of both collars and on the mounting surface of the blade.
4. Place the blade on the blade shaft.



Use only Norton Clipper Diamond Blades.

5. Slide the outside blade shaft collar onto the blade shaft.
6. Tighten the blade shaft nut (clockwise) securely against the outside collar by using the Blade Shaft Wrench 19mm and Blade Shaft Flat Wrench 22mm as show in the figure below



**Figure 11: Blade Tightening**

7. Reconnect the spark plug or reconnect the electrical power.

**Use Only Norton Clipper Diamond Blades**

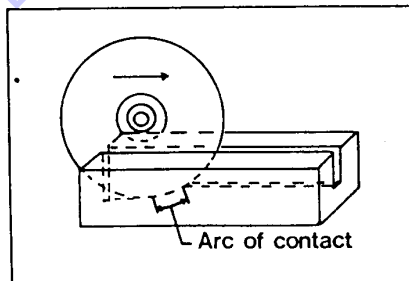
## II. OPERATION

### B. How To Use " Step Cutting " With Abrasive Blades

Use "step cutting" without exception when cutting wet or dry with abrasive blades.

"Jam cutting", which is discussed and illustrated in the section following, is to be used only with wet and dry cutting diamond blades.

1. Clamp and hold material firmly against the backstop on conveyor cart. Be certain the material does not slip or rock during cutting operation, as this can bind blade, causing excessive wear and fracture.
2. Move the conveyor cart near the blade, and pull down on the head until the blade is lowered to a point where it will lightly contact the top of the material. Then start "step cutting" - which means passing the material beneath the blade with rapid, (50 to 60 strokes per minute) full length strokes, taking a shallow cut (approximately 1/8" deep) on the forward, and also on the backward stroke. Complete each rapid stroke backward and forward, by passing the material beyond the center of the blade before starting the reverse movement of the cart. The harder the material, the more rapid the forward and backward strokes.
3. "Step cutting" as can be seen in the sketch below, lessens the area of the blade circumference in contact with the material, keeping the blade cool, running free, and cutting at peak efficiency. Don't get the impression "step" cutting means slow cutting - actually it is 6 times faster than trying to "force" the cut by strong-arming the material through the blade. Forcing the blade through with a deep cut causes a longer area of the blade circumference to be in contact with the material, causing excessive friction heat to be generated, which then causes the blade to "smear" or "load" with fused material particles and lose its sharp cutting surface. (*Note: If improper operation should cause an abrasive blade to "smear", make several cuts through a soft brick to "dress" the blade back to good cutting performance.*)



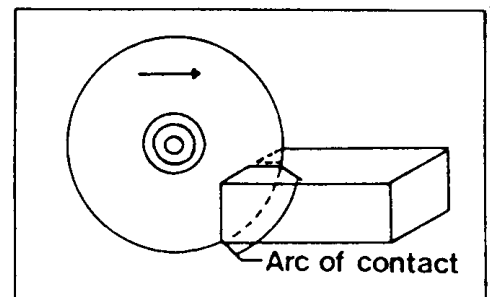
## II. OPERATION

### C. How To Use "Jam Cutting" (Fixed Cutting) and "Step Cutting" With Diamond Blades

In "Jam" cutting the head is locked in a fixed position and the material is pushed into it as shown in the sketch at the bottom. "Jam" cutting with the head locked in a fixed position usually provides greater efficiency.

1. To lock the head into position, tighten the lever nut at the back of the saw.
2. "Step" cutting with diamond blades is done by applying more pressure to the blade. Unlike "step" cutting with abrasive blades, "step" cutting with diamond blades requires only a few passes through the material.
3. In cutting, clamp the material securely and hold it firmly against the conveyor cart backstop. If the material is allowed to slip, resulting seizure of the blade may bend the diamond blade steel center or cause a ring section to be twisted off.
4. Do not force the material or bump into the blade. When nearing completion of the cut, retard and slightly hold back the conveyor cart. If this is not done, the material may be pulled into the blade so fast that excessive pressure on the rim may cause warping or twisting of the rim section.
5. When a new diamond blade is broken in, make the first few cuts slowly until the blade cuts freely and easily.
6. When the blade is cutting freely and easily. Use it! As long as it cuts satisfactorily do not dress the diamond blade or remove it from the blade shaft.
7. After continuous cutting of extremely hard and dense materials, the blade may slow down and it may be necessary to "dress" the cutting edge. To do this:
  - a. Use a rapid "step" cutting method for a few cuts - push the material back and forth under the blade while it is cutting down. If this is not sufficient:
  - b. Make one or two cuts in a soft brick or light weight block.

***However, "dressing" should be done as seldom as possible - because too much "dressing" reduces blade life.***





## II. OPERATION

### D. Dry Cutting

1. Use a proper blade, which is marked for dry cutting.
2. Remove the water curtain.
3. Disconnect the water pump.
4. Use "step" cutting as explained previously when using abrasive blades.
5. Use "jam" or "step" cutting when using dry cutting diamond blades.

### E. Wet Cutting

Water may be supplied either by filling the water pan to within a half-inch of the top (for continuous use of the same water) or by placing a barrel of water next to the saw (for continuous flow of clean water). When using water from a barrel, remove water from pan and submerge it in water barrel. Remove the drain plug so the used water and sludge will drain from pan.

1. Prepare water supply.
2. Install water curtain on cutting head pivot bar.
3. Be sure the water pump is plugged into the receptacle on the back of the masonry saw motor. (The pump will start when the main switch is turned on.)
4. Handle on petcock should be turned in line with the water flow. Start motor and be certain that both sides of the blade are getting water.
5. Be sure that the water covers the bottom of the pump at all times. Do not let sludge and dirt get deep enough in the pan to block the pump inlet.
6. Use "step" cutting with abrasive blades as previously directed.
7. Use "jam" cutting or "step" cutting with diamond blades as previously described.

### III. MAINTENANCE

The Blockbuster Compact requires very little maintenance for long satisfactory operation. However, the following points must be watched:

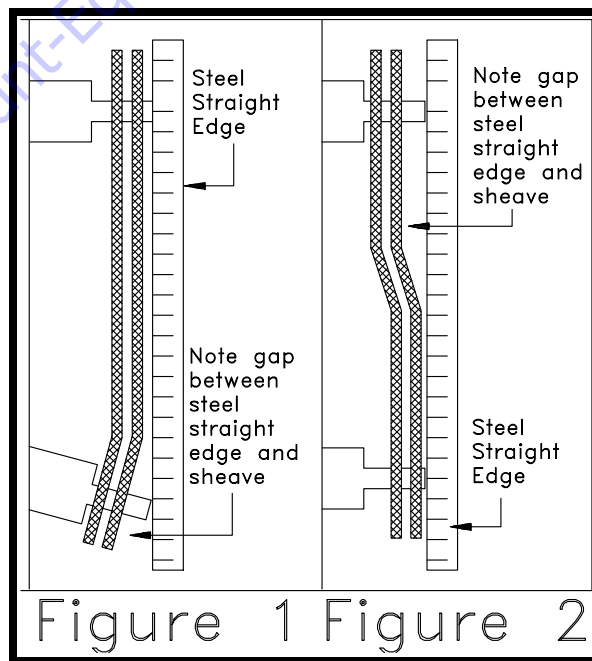
#### A. V-Belts

The drive belts are made of premium oil and heat resistant materials. They require very little adjustment, but should be tightened after the first few days of running.

##### Adjustment And Alignment

**Warning: Never make adjustments to v-belts and pulleys while engine is running.**

1. The best tension for a v-belt drive is the lowest tension at which the belts will not slip under full load. The normal tension is 3.8 to 5.4 lbf. approx. 1/2" deflection
2. Simply take up the drive until the belts are snug in the grooves. Run the drive for about 15 minutes to "seat" the belts. Then impose the peak load. If the belts slip, tighten them until they no longer slip at peak load.
3. Remember, too much tension shortens belt and bearing life.
4. Check belt tension frequently during the first day of operation. Check belt tension periodically thereafter and make any necessary adjustments.
5. The two most common causes of misalignment are shown in the drawing.
  - a). The engine drive shaft pulley and the blade shaft are not parallel.[See figure 1]
  - b). The pulleys are not located properly on the shafts.[See figure 2]
- 6). To check alignment, all you need is a steel straight edge.
- 7). Line up the straight edge along the outside face of both pulleys as shown in the drawing.
- 8). Misalignment will show up as a gap between the pulley face and the straight edge.
- 9). Make sure that the width of the outside land is equal on both pulleys.



## Main Causes of Belt Failures:

Premature Belt failure can be attributed to the following issues: Tension (too much or too little), Pulley Misalignment, Damaged Pulleys, Improper Handling or Storage, Incorrect Blade Specification for Material Being Cut, and Cutting Too Deep.

Symptom	Possible Cause	Corrective Action
Belt Breakage	Too Much Tension	Re-tension Belts
	Excessive Shock Load	Reduce Load/ Check Blade Specification
	Pulley Out Of Round	Replace Pulley
Burning of Belt	Too Little Belt Tension	Increase Belt Tension
	Excessive Load (Cutting Full Depth)	For Best Performance Only Cut only 1-1/2" to 2" Per Pass
	Containments On Belts	Replace Belts and Find Source Of Containments
	Incorrect Blade Specification	Replace Blade With One Designed For Material Being Cut

Belt Failure Table Continued From Previous Page

Symptom	Possible Cause	Corrective Action
Belt Tearing/Ripping	Pulley Misalignment	Align Pulleys
Belt Rolling Off Pulley	Pulley Misalignment	Align Pulleys
Belt Cracking	Extremely Low Temperature at Startup	Warm Machine Before Use
	Exposure To Chemicals or Lubricates	Locate Source of Containments and Replace Belts.



**Belts are a normal wear item and are not covered under warranty.**

### III. MAINTENANCE

#### B. Electric Motor

The motors are specially designed for masonry sawing. It is totally enclosed and the sealed bearings require no lubrication. The motor is equipped with thermal overload protection.

1. Periodically clean the dirt and sludge build-up from the motor fan housing and cooling fins.
2. If the motor becomes overheated, the protector shuts the motor off. Turn the motor switch to the "OFF" and identify the cause of overheating.

#### C. Gasoline Engine

##### Gasoline Engine Warranty:

Norton does not warranty or service the gasoline engine. If any warranty or service of the engine is required contact your nearest Honda service center, or from the Internet:

<http://engines.honda.com/dealer-locator>

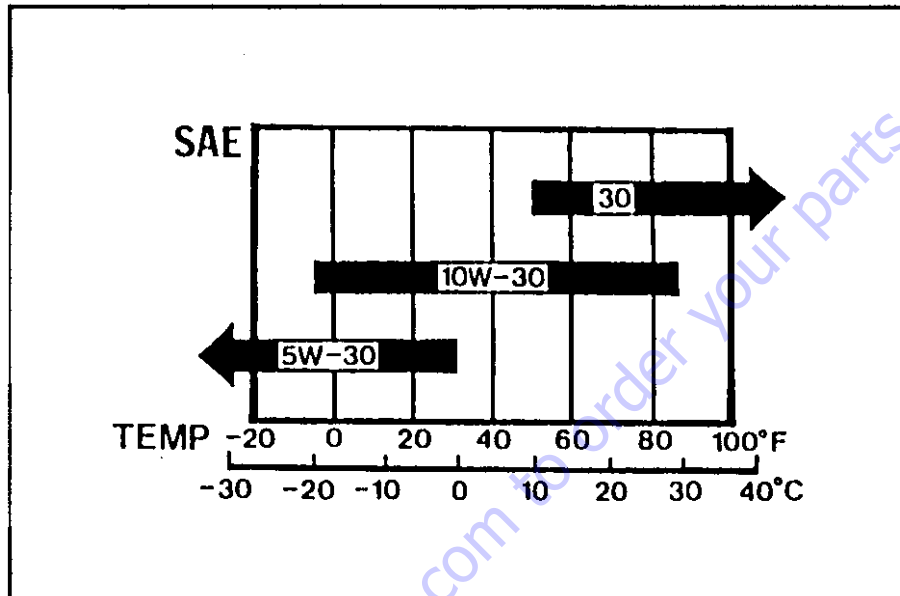
##### Honda Engine Maintenance Schedule (refer to owner's manual for complete maintenance.)

Follow the below schedule for engine maintenance. NOTE: Check the Honda Engine manual that came with the engine for any changes to the maintenance schedule. If the charts have any differences, follow the chart in the Honda Engine Manual.

REGULAR SERVICE PERIOD (3) Perform at every indicated month or operating hour interval, whichever comes first.		Each Use	First Month or 20 Hrs	Every 3 Months or 50 Hrs	Every 6 Months or 100 Hrs	Every Year or 300 Hrs	Refer to Page
ITEM							
Engine oil	Check level	○					9
	Change		○		○		9
Reduction case oil (applicable types)	Check level	○					9 – 10
	Change		○		○		10
Air filter	Check	○					10
	Clean			○ (1)	○ * (1)		11 – 12
	Replace					○ * *	
Sediment cup	Clean				○		12
Spark plug	Check-adjust				○		12
	Replace					○	
Spark arrester (applicable types)	Clean				○		13
Idle speed	Check-adjust					○ (2)	13
Valve clearance	Check-adjust					○ (2)	Shop manual
Combustion chamber	Clean	After every 500 Hrs. (2)					Shop manual
Fuel tank & filter	Clean				○ (2)		Shop manual
Fuel tube	Check	Every 2 years (Replace if necessary) (2)					Shop manual

Check the engine oil level before each use when the engine is cool and the engine is level. Add oil if the level is low. The oil level should be within the operating range (see the engine owner's manual for details).

Only use a high-detergent, premium quality motor oil certified to meet or exceed U.S. automobile manufacturer's requirements for Service Classification SG, SF/CC, CD. Motor oils will show the classification on the container. A SAE viscosity of 10W-30 is recommended by Honda for general, all temperature use. Please consult the below chart or contact your local Honda service center for the proper viscosity for your temperature range.



Always refer to the engine manual for more detailed information on checking the oil, changing oil, and oil capacity, air filter changes, and fuel type to use. Use only Honda air filters. Do not clean the air filter with gasoline or other flammable solvents. A fire or explosion could result. To clean, follow the instructions found in the Honda engine manual.

## Dry Cutting Engine Maintenance

- When operating the engine in dry cutting or dusty environments the following is required:
- Engine oil changed more often.
- Every 50 hours (or more often if conditions require) clean all of the engine cooling fins.
- Every 25 hours (or more often if conditions require) clean the engine pre-cleaner.
- Every 100 hours (or more often if conditions require) replace the air filter. If the engine is equipped with a reusable air cleaner, clean and re-oil it.
- Check and clean the air filter after each use. Replace as needed.

## D. Blade Shaft Bearings

The blade shaft bearings are lubricated and should not require daily lubrication under normal conditions. However, to assure long life the bearings do need to be lubricated periodically. The time interval between greasing is dependent on the running speed and operating conditions. The following chart covers most situations and can be used as a guide.

Temperature	Cleanliness	Greasing Interval
*UP TO 150°F	Dirty	6 to 12 months
Over 150°F	Dirty	Daily to 2 Weeks
Any Temp	Very Dirty	Daily to 2 Weeks
Any Temp	Extreme Conditions	Daily to 2 Weeks

**NOTE:** *Never operate saw without bearing cover in place.*

For normal conditions the grease should conform to the NLGI grade two consistency and be free of any chemical impurities such as free acid or free alkali, dust, rust, metal particles or abrasives. For best results, the bearings should be lubricated while in operation.

**NOTE:** *Due caution for personal safety must be observed when servicing rotating equipment.*

If necessary to lubricate while the bearing is idle, refer to lubrication table for the maximum grease capacity for the bearings.

## E. Pump

The submersible water pumps for all BBL Electrical and Gasoline powered machine's do not require any lubrication.

The electrical water pumps for all BBL Electric powered masonry saws are 115v. The motors have an autotransformer to provide the required 115v with out any changes to the electrical motor. The electrical powered water pumps must be submerged in water when connected to an electrical supply to reduce over heating of the pump. When cutting dry disconnect the electrical water pump from the power source.

The mechanical driven pump of the gasoline powered masonry saw is designed to run wet or dry, but for continued dry cutting, disconnect the pump.

For all water pumps:

1. Be sure to keep the pump clean - do not allow sediment to cake in the pump and clog it.
2. Keep all lines clean and running free.
3. At the end of each work day it is recommended that the water pump be cleaned by placing the pump in clear, clean water and running the pump for 2 to 5 minutes to remove any sediment from the pump and water hoses.
4. Do not allow the water pump to sit in any slurry or sediment as when the slurry or sediment dries out it can damage the water pump impeller.
5. Do not allow the Flex-cable for the Mechanically Driven water pumps to be pinched by the blade guard or anything else. Damage to the Flex cable by pinching is not covered under any warranty. Do not pinch or cut the power supply cable for the electrical water pumps as this can cause a dangerous electrical short. Damage to the power supply cable is not covered under any warranty.

## IV. PARTS LIST SECTION

### A. Ordering Information

#### A. Ordering Information

1. List model number and serial number of machine from the Machine's Serial Number Plate.
2. List UPC number, part number, and Description of part DO NOT use the item number. It is best to use the UPC number when ordering.
3. Wherever alternate parts are shown due to product improvement, inspect the part you have and provide additional description as necessary.
4. Specify mode of shipping desired, such as, parcel post, truck, U.P.S., best way, etc.

#### Common Replacement Parts

UPC	Part No	Description
00310007367	83754	Conveyor Cart (aka Cutting Table) Complete BBC <i>Includes: Wheels, Backstop, Top, and Conveyor Cart Stop</i>
00310004676	75333	Wheel Kit, Conveyor Cart (4) <i>Set of Four (4) Includes Hardware</i>
00310007501	83892	Guide-A-Cut Assembly <i>Includes Thumb Screw</i>
00310004237	72305	Pump Water Complete Mechanic Type For BBC <i>Gasoline Powered Machines</i>
70184668392	214169	Pump Water PE-1 <i>Electrical Powered Machines</i>
00310004360	72926	Belt XPZ 1500 LW (1) 14" <i>Electric Models Only</i>
70184640662	232191	Belt XPZ 1850 LW (1) 20" <i>Electric Models Only</i>
70184655386	70398	Belt XPZ 1262 LP (1) BBC 14" <i>Gasoline Powered Only</i>
70184645448	232381	Belt XPZ 1287 LP (1) BBC 20" <i>Gasoline Powered Only</i>
70184682606	83717	Belt XPZ 562 LW (14" and 20" <i>Gasoline Powered Models</i> )

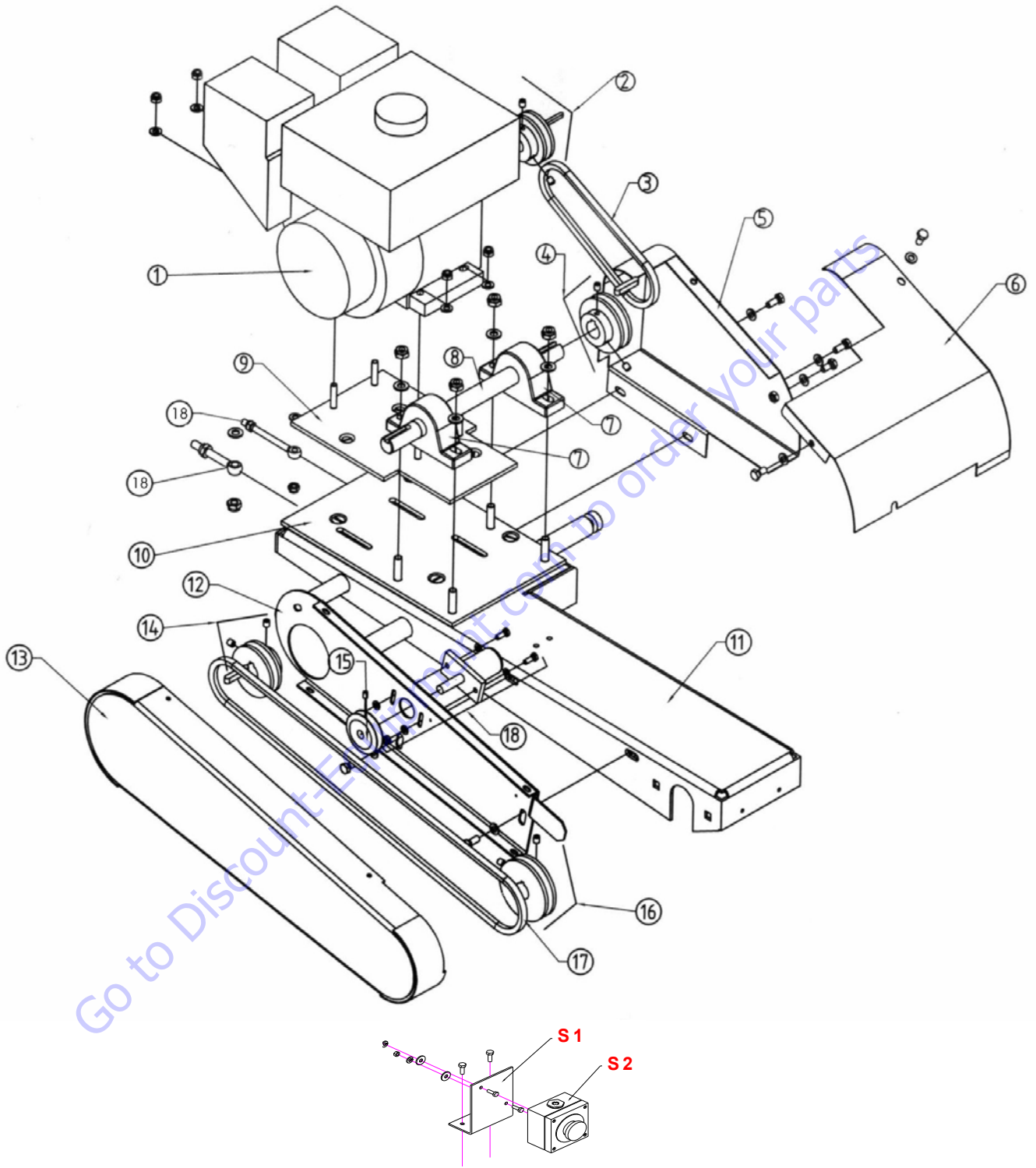
NOTE: All Parts Are Sold As Individual (each) Unless Noted Otherwise

Kitted items are shown in a phantom lined box within the parts drawing.

All parts are designated as either Service Parts (S) or Wear Parts (W) in the Type column in the parts listing. Wear parts are worn out through normal use of the machine. The wear period depends on the intensity of use of the machine, handling, and maintenance of the machine. Wear parts must be serviced and eventually changed following the indications of the manufacturer. Any wear due to normal use of the machine will not be considered as a case of warranty for items designated as Wear Parts (W). For best performance and life Genuine Norton Clipper replacement parts should always be used. Changes to part specifications, are subject to change without notice.

# V. PARTS LIST SECTION

Power Gasoline Plant: BBC547/BBC507



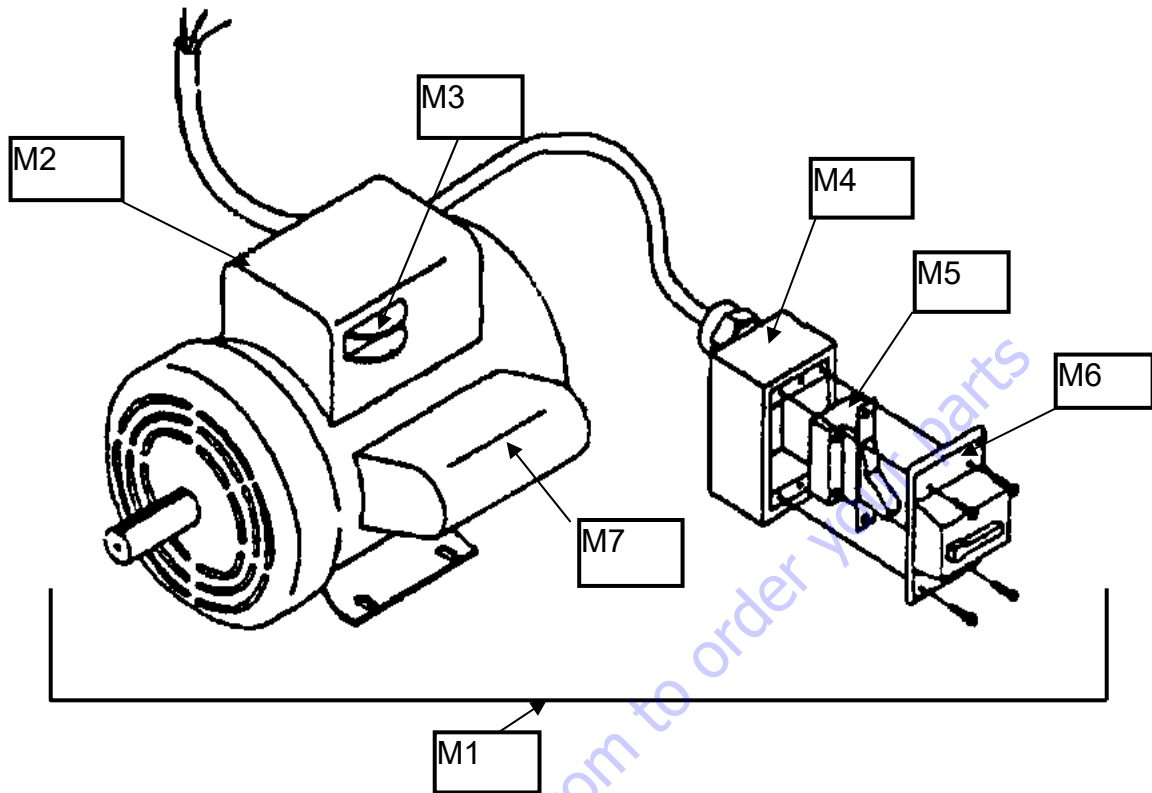


## Power Gasoline Plant: BBC547/BBC507

Item	UPC	Part No	Description	QTY	Type	NOTES
1	70184649829	216264	Engine 5.5HP Honda GX160K1QXC9	1	S	Engine Only
2	00310007337	83716	Pulley Ø70MM X 3/4"B 1G XPZ Belt <i>Engine Pulley</i>	1	S	Includes Pulley and Key 70MM X 3/4"B 1G XPZ Belt
3	70184682606	83717	Belt XPZ 562 LW (1) <i>14" and 20" Gasoline Powered Models</i>	1	W	Sold as each Belt size XPZ 562
4	00310007339	83718	Pulley Ø 80MMX 25MM B 1G XPZ <i>Jackshaft Pulley</i>	1	W	Includes Pulley and Key 80MMX 25MM B 1G XPZ
5	00310007340	83719	Right Belt Guard	1	S	
6	00310007341	83720	Guard For The Jackshaft	1	S	
7	00310004011	70599	Bearing	2	W	Sold as each
8	00310007342	83721	Jackshaft	1	S	Shaft Only
9	00310007343	83722	Motor Fixation Plate	1	S	
10	00310007344	83723	Jackshaft Fixation Plate	1	S	
11	00310007345	83724	Cutting Head BBC 14"	1	S	Cutting Head Only
	70184647230	232192	Cutting Head BBC 20"	1	S	Cutting Head Only
12	00310007346	83725	Bracket Belt Guard BBC547 <i>14" BBC only</i>	1	S	
	70184641208	232180	Bracket Belt Guard BBC507 <i>20" BBC only</i>	1	S	
13	00310007347	83726	Belt Guard For 14" BBC only	1	S	BBC547 Only
	70184647231	232188	Belt Guard For 20" BBC only	1	S	BBC507 Only
14	00310004783	76102	Pulley Ø75mm X 24mm B 1G XPZ Belt <i>Jackshaft Output 14" BBC only</i>	1	S	Pulley and Key 75MM x 24MM B 1G XPZ Belt
	00310007363	083747	PULLEY 68MM X 24MM B 1G XPZ <i>Jackshaft Output 20" BBC only</i>	1	S	Pulley and Key 68MM x 24MM B 1G XPZ Belt
15	00310004669	75270	Water Pump Pulley	1	S	
16	00310004779	76098	Blade Shaft Pulley	1	S	Pulley and Key 89MM X 17MM B 1G XPZ Belt
17	70184655386	70398	Belt XPZ 1262 LP (1) <i>BBC 14" Gasoline Powered Only</i>	1	W	Sold as each Belt Size XPZ 1262
	70184645448	232381	Belt XPZ 1287 LP (1) <i>BBC 20" Gasoline Powered Only</i>	1	W	Sold as each Belt size XPZ 1287
18	70184655538	76015	Eye bolt M10 X 130 1.5 With Hardware (1)	2	S	BBC 14" Only Includes: Eye Bolt M10 x 130, Nut M10 Lock (1), Nut M10 Hex (1), Washer M10 Flat (2)
	70184647716	232426	Eye bolt M10 X 150 1.5 With Hardware (1)	2	S	BBC 20" Only Includes: Eye Bolt M10 x 150, Nut M10 Lock (1), Nut M10 Hex (1), Washer M10 Flat (2)
S1	00310007362	83746	Switch Support	1	S	
S2	00310007361	83745	Emergency Stop Switch	1	S	
-NA-	70184647661	232427	SCR M6 x 16 1.0 DIN 933 LH THRD HHC	1	S	M6x16 Left Hand Screw Used with 00310007342, 00310004752, and 00310004887

Type: S = Service Part, W = Wear Part, All Parts Are Sold As Individual (each) Unless Noted Otherwise

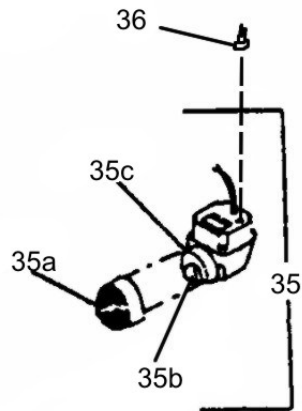
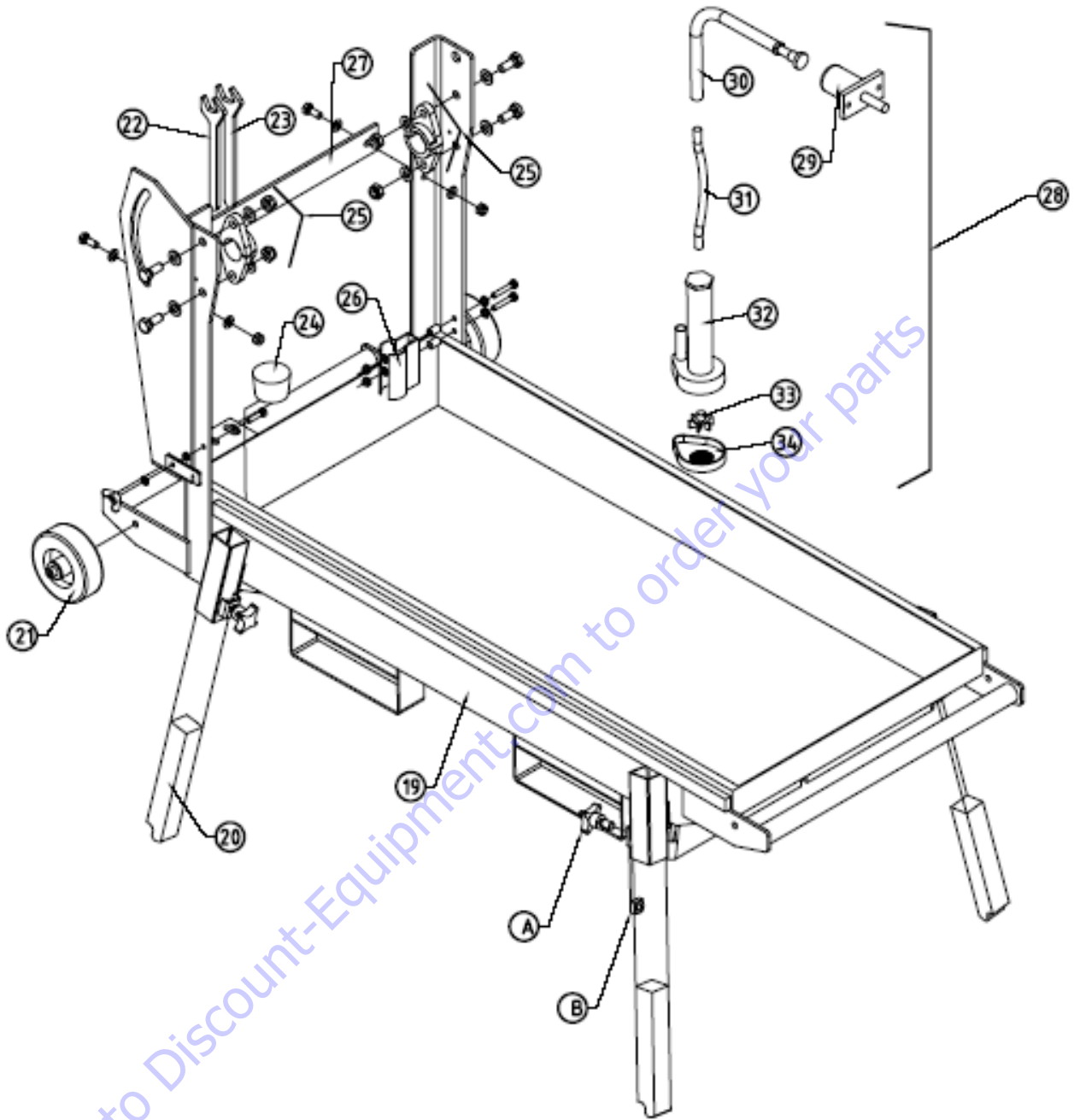
## Power Plant Electric: BBC157/BBC207/BBC307



Item	UPC	Part No	Description	QTY	Type	NOTES
M1	00510003896	232084	Motor Assembly w/Switch 1-1/2HP 115/230v/60/1	1	S	Motor and Switch
	00510003897	232085	Motor Assembly w/Switch 2 HP 115/230v/60/1	1	S	Motor and Switch
	70184630439	232160	Motor Assembly w/Switch 3HP 230v/60/1	1	S	Motor and Switch
M2	70184683525	232085A	TERMINAL BOX BBC157-207	1	S	BBC157 and BBC207
	70184603044	70184603044	TERMINAL BOX BBC307	1	S	BBC307 ONLY
M3	70184678482	231085	Voltage Change Switch	1	S	
M4	70184678483	231087	Switch Box Rear	1	S	
M5	70184678142	231088	Switch On/Off	1	S	
M6	70184678141	231089	Switch Box Cover	1	S	Cover Only
M7	70184678485	231091	Capacitor Box Small	1	S	
-NA-	70184600165	232129	Thermal Reset Button 1-1/2 HP TPMST24AB	1	S	"F" Serial Number Motors
	70184645416	232129B	Thermal BBC157 1-1/2 H TPCRJ51CB	1	S	"W" Serial Number Motors
	70184602830	70184602830	Thermal Reset BBC207 TPCRT33CB	1	S	2 HP Motor Only
	-NA-	-NA-	Thermal Reset Button 3 HP	1	S	Contact Customer Service For Assistance
-NA-	00310004783	76102	Pulley Ø75mm X 24mm B 1G XPZ Belt <i>Jackshaft Output 14" BBC only</i>	1	S	14" Electric Models Only 75MM x 24MM B 1G XPZ Belt
	00310007363	083747	PULLEY 68MM X 24MM B 1G XPZ <i>Jackshaft Output 20" BBC only</i>	1	S	20" Electric Models Only 68MM x 24MM B 1G XPZ Belt
	-NA-	232198	Key 8mm x 7mm x 24mm	1	S	
-NA-	00310004360	72926	Belt XPZ 1500 LW (1) 14" Electric Models Only	1	S	14" Electric Models Only
	70184640662	232191	Belt XPZ 1850 LW (1) 20" Electric Models Only	1	S	20" Electric Models Only

Type: S = Service Part, W = Wear Part, All Parts Are Sold As Individual (each) Unless Noted Otherwise

Frame Common All: BBC157/BBC207/BBC307/BBC547/BBC507



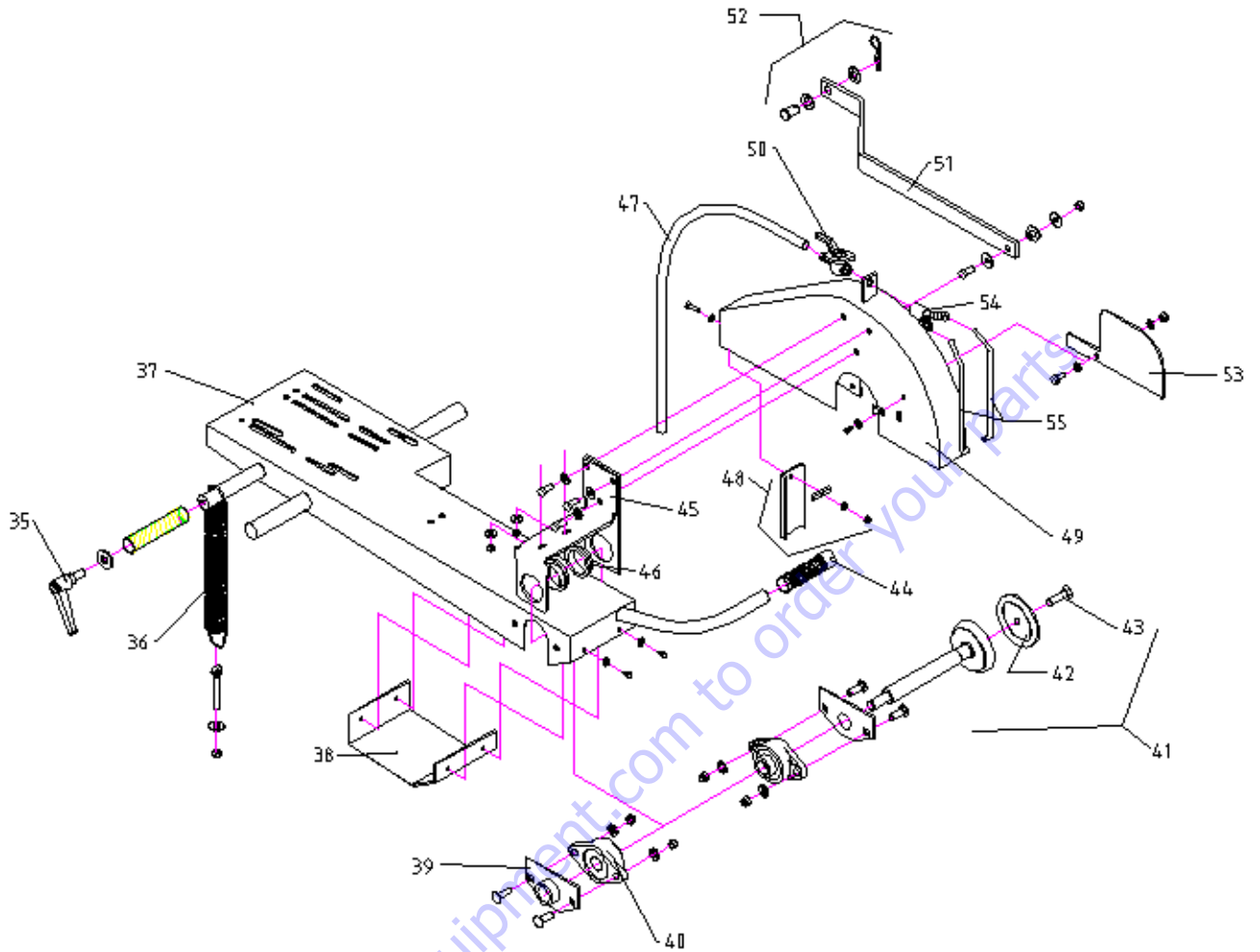
Electrical Water Pump

## Frame Common All: BBC157/BBC207/BBC307/BBC547/BBC507

Item	UPC	Part No	Description	QTY	Type	NOTES
18	00310004671	75280	Screws For Water Pump	1	S	
19	00310007348	83727	Frame Only	1	S	
20	00310002135	75817	Leg Kit (4) BBC	1	S	Set of Four (4) Legs
	00310004345	72856	Knob M10 X 20 1.5 (1)	1	W	
	00510005107	27065	Nut M10 Square (1)	1	W	
21	00310012190	82733	Wheel (1)	1	W	Sold Each
22	00310004053	70807	Wrench Open End 19mm	1	W	
23	00310004199	72143	Wrench Open End 22mm	1	W	
24	00310004776	76095	Drain Plug	1	W	
25	00310007349	83728	Split Bearing (1) W/Hardware	1	W	Sold Each W/Hardware
26	00310004778	76097	Clamp Water Pump W/Hardware	1	S	
27	00310007350	83729	Support Cross Piece BBC W/Hardware	1	S	
28	00310004237	72305	Pump Water Complete Mechanic Type For BBC	1	W	Includes Items: 29, 30, 31, 32, 33, and 34
29	00310004236	72297	Drive End Complete	1	W	
30	-NA-	-NA-	Sheath For Flexible Shaft – Part of 72307	1	W	Part of 72307
31	00310004238	72307	Flexible Shaft Complete For Mechanical Water Pump 72305	1	W	L= 29" (910mm) Includes Flexible Shaft
32	00310004231	72284	Body For Mechanical Water Pump	1	W	
33	00310004349	72862	Propeller Water Pump Mechanical Pump	1	W	
34	00310004207	72186	Screen Inlet Plastic For Mechanical Water Pump	1	W	
35	70184668392	214169	Pump Water PE-1	1	W	Electric Models Only Includes Items: 36a, 35b, and 35c
35a	70184680196	155775	Screen Water Pump PE-1	1	W	
35b	70184680194	155774	Impeller Water Pump PE-1	1	W	
35c	70184680195	101375	Volute Water Pump PE-1	1	W	
36	70184650470	9602010	Fitting Barb Hose ¼" FPT X ½ Male Barb	1	W	
-NA-	00310004633	75132	Water Curtain BBC Series	1	W	Can Substitute 00310004632

Type: S = Service Part, W = Wear Part, All Parts Are Sold As Individual (each) Unless Noted Otherwise

# Cutting Head All: BBC157/BBC207/BBC307/BBC547/BBC507

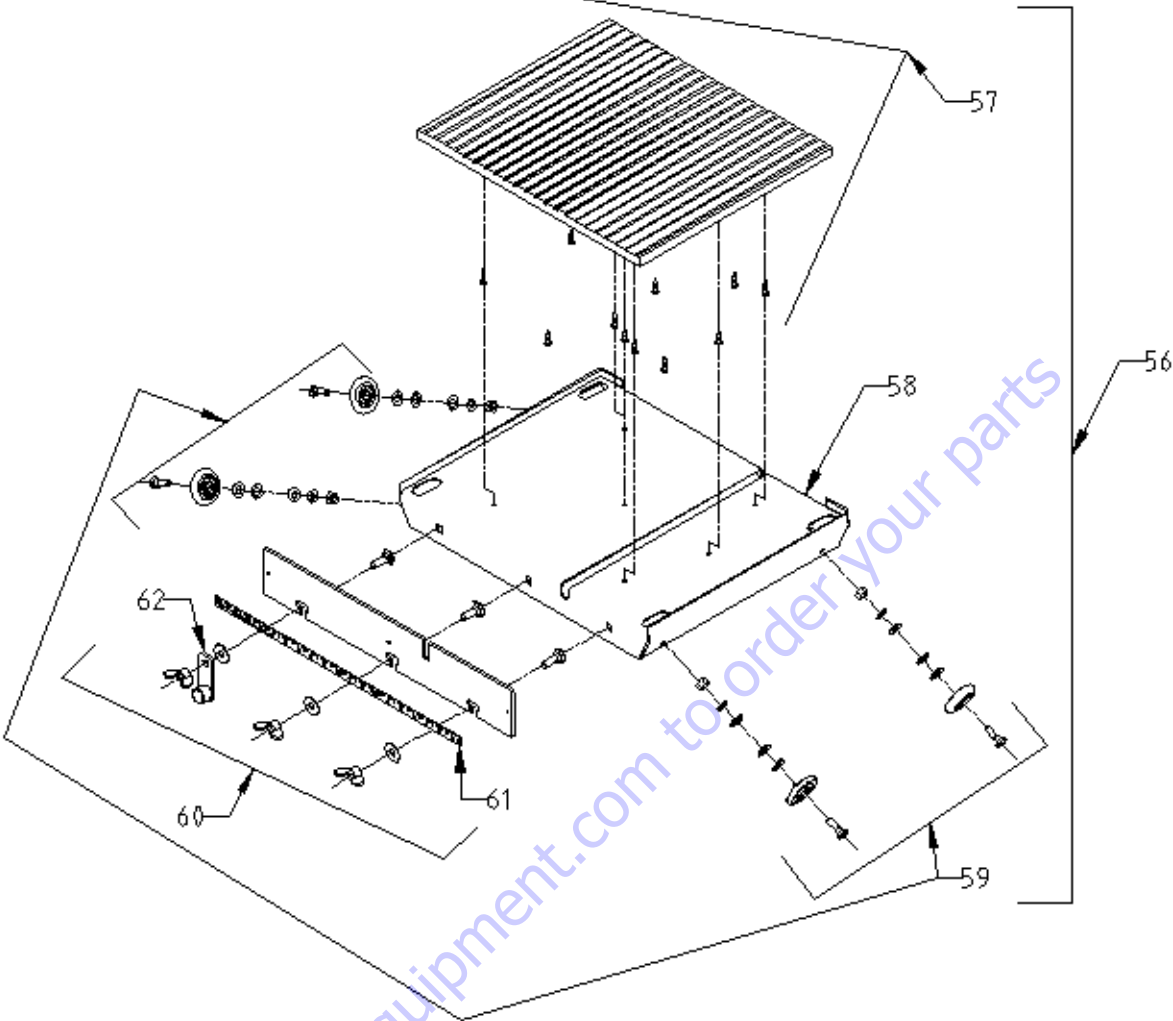


## Cutting Head All: BBC157/BBC207/BBC307/BBC547/BBC507

Item	UPC	Part No	Description	QTY	Type	NOTES
35	00310006528	82738	Locking Handle W/Stud For Cutting Head	1	W	
36	00310004305	72567	Spring	1	W	
37	00310007345	83724	Cutting Head BBC 14"	1	S	
	70184647230	232192	Cutting Head BBC 20"	1	S	
38	00310004792	76111	Bearing Protection Plate	1	S	
39	00310004767	76060	Support Blade Shift (2)	1	S	Set of Two (2)
40	70184655657	73418	Bearing Blade Shaft Kit W/Hardware (2)	1	W	Set of Two (2) Includes Mounting Hardware
41	00310004752	76035	Blade Shaft Assembly 14" Models Only	1	W	Includes: Blade Shaft, Blade Collars, and Blade Shaft Bolt. <i>Bearings Not Included</i>
	00310004887	76556	Blade Shaft Assembly 20" Models Only	1	W	Includes: Blade Shaft, Blade Collars, and Blade Shaft Bolt. <i>Bearings Not Included</i>
42	00310004410	73216	Loose Collar 14" Models Only	1	W	14" Models Only
	00310004438	73281	Loose Collar 20" Models Only	1	W	20" Models Only
43	70184649944	8042096	Screw 1/2"-20 X 1-1/2" Hex Head Cap	1	W	Blade Shaft Bolt
44	00310004190	72097	Hand Grip (1)	1	W	
45	00310004794	76113	Leveling Support BBC	1	S	
46	00310004412	73220	Bush Kit Nylon BBC (2)	1	W	Set of Two (2)
47	00310004270	72413	Hose Water 1/2"ID x 3/4"OD x 48" (1,200mm) Long	1	W	1/2"ID x 3/4" OD x 48"L
48	00310004413	73221	Splash Guard Kit BBC	1	W	
49	00310004753	76037	Blade Guard 14"	1	S	
	00310004797	76126	Blade Guard 20"	1	S	
50	70184681061	72357	Valve Petcock 1/4"Male Pipe Thread X 1/2" Hose Barb	1	W	
51	00310004430	73266	Stay Level Arm	1	S	
52	00310004754	76039	Pin Stay Level Arm Kit	1	S	
53	00310004790	76109	Cover Blade Shaft Vent	1	S	Includes Mounting Hardware
54	00310004233	72286	Hose Y Fitting	1	W	
55	00310002235	80568	Nozzle Water Kit (2)	1	W	Set of Two (2)
-NA-	00310004779	76098	Pulley Ø89MM X 17MM B 1G XPZ Belt <i>Blade Shaft Pulley – Key Not Included</i>	1	S	Pulley and Set Screws 89MM X 17MM B 1G XPZ Belt
-NA-	70184649698	9201081	KEY 3/16x1 3/8 <i>Key for Blade Shaft Pulley</i>	1	W	
-NA-	70184647661	232427	SCR M6 x 16 1.0 DIN 933 LH THRD HHC	1	S	M6x16 Left Hand Screw Used with 00310007342, 00310004752, and 00310004887

Type: S = Service Part, W = Wear Part, All Parts Are Sold As Individual (each) Unless Noted Otherwise

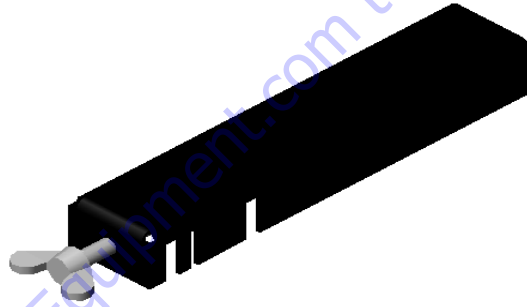
Cutting Table All: BBC157/BBC207/BBC307/BBC547/BBC507



## Cutting Table All: BBC157/BBC207/BBC307/BBC547/BBC507

Item	UPC	Part No	Description	QTY	Type	NOTES
58	00310007367	83754	Conveyor Cart (aka Cutting Table) Complete BBC	1	W	Includes: Wheels, Backstop, Top, and Conveyor Cart Stop
57	00310004943	76742	Top For Cutting Table Only	1	W	Screws Not Included
	70184600556	30373	Screw 4x 12mm DIN 7976	11	W	Sold Each, 11 Required
58	-NA-	-NA-	Conveyor Cart Frame Only – Part of 83754	-NA-	-NA-	
59	00310004676	75333	Wheel Kit, Conveyor Cart (4)	1	W	Set of Four (4) Includes Hardware
60	00310007365	83752	Back Stop Plate	1	W	Sold Each includes HW
	70184683490	27282	Carriage Bolt M10 x 30 DIN 603	3	S	Sold Each, 3 Required
	70184683491	27508	Washer 10.5 DIN 9021	3	S	Sold Each, 3 Required
	70184683489	27040	Wing Nut M10 DIN 315	3	S	Sold Each, 3 Required
61	00310007366	83753	Scale for Conveyor Cart w/Rivets	1	W	
62	00310005280	82856	Stop Assembly for Conveyor Cart (Complete)	1	W	
	-NA-	-NA-	Rubber Stop –	-NA-	-NA-	Part of 00310005280
	70184600584	27003	Nut M6 DIN 439	1	S	Sold Each, 1 Required
	70184600585	27539	Washer M6 DIN 125	1	S	Sold Each, 1 Required

Type: S = Service Part, W = Wear Part, All Parts Are Sold As Individual (each) Unless Noted Otherwise



Item	UPC	Part No	Description	QTY	Type	NOTES
-NA-	00310007501	83892	Guide-A-Cut Assembly	1	W	Includes Thumb Screw

Type: S = Service Part, W = Wear Part, All Parts Are Sold As Individual (each) Unless Noted Otherwise



## C. Baldor Service Policy



### SERVICE POLICY AND AUTHORIZED SERVICE CENTERS

#### SERVICE POLICY AND LIMITED WARRANTY

DATA SECTION

**505**

December 15, 1991

REPLACES  
DATA SECTIONS  
505 AND 505 C  
DATED JANUARY, 1990

- 1) Baldor electric motors are warranted for a period of one (1) year, from date of shipment from the factory or factory warehouse against defects in material and workmanship. To allow for stocking and/or fabrication period and, also, one year of actual service, the warranty period will be extended for an additional period of six months, or a total of eighteen (18) months after date of shipment from factory or factory warehouse stock. In no case will the warranty be extended for a longer period. Baldor extends this limited warranty to each buyer of the electric motor for the purpose of resale and to the original purchaser for use.
- 2) Baldor will, at its option, repair or replace a motor which fails due to defects in material or workmanship during the warranty period if:
  - (a) the purchaser presents the defective motor at, or ships it prepaid to, the Baldor plant in Fort Smith, Arkansas or one of the Baldor Authorized Service Centers, which are listed below; and
  - (b) the purchaser gives written notification concerning the motor and the claimed defect including the date purchased, the task performed by the Baldor electric motor, and the problem encountered.
- 3) Baldor will not absorb the cost of removal of any electric motors from any equipment, the cost of delivery to Fort Smith, Arkansas or a Baldor Authorized Service Center, or the cost of any incidental or consequential damages resulting from the claimed defects. (Some states do not allow the exclusion or limitation of incidental or consequential damages, so the above exclusion may not apply to you.) Any implied warranty given by laws shall be limited to the duration of the warranty period hereunder. (Some states do not allow limitations on how long an implied warranty lasts, so the above limitation may not apply to you.)
- 4) Baldor Authorized Service Centers, when convinced to their satisfaction that a Baldor motor developed defects in material or workmanship within the warranty period, are authorized to proceed with the required repairs to fulfill Baldor's warranty when the cost of such repairs to be absorbed by Baldor does not exceed Baldor's warranty repair allowance. Baldor will not absorb overtime or premium repair charges without prior authorization.
- 5) The cost of warranty repairs made by other than Baldor Authorized Service Centers WILL NOT be absorbed unless first authorized by Baldor.
- 6) Claims of a purchaser that a motor is defective even when a failure results within an hour or less after being placed in service are not always justified. Therefore, Baldor Authorized Service Centers must determine from the condition of the motor as delivered to the Center whether or not the motor is defective, if, in the opinion of a Baldor Authorized Service Center, a motor did not fail as a result of defects in material or workmanship, the Center is to proceed with repairs only if the owner agrees to pay for them. If the decision is in dispute, the owner should still pay for the repairs and submit the paid invoice and the Authorized Service Center's signed service report to Baldor for further consideration. The matter will then be handled direct by Baldor with the owner or those who present the claim for adjustment.
- 7) This warranty gives you specific legal rights, and you may also have other rights which vary from state to state.

### CENTRES DE SERVICE AUTORISES AU CANADA NOTRE GARANTIE

- 1) Les moteurs électriques Baldor sont garantis pour une période d'un (1) an, à partir de leur date d'expédition de la manufacture ou de l'entrepôt de la manufacture contre tous défauts de matériel et de main d'oeuvre. Allouant pour la marchandise en main et-ou la période de fabrication et, aussi, pour un an actuellement en service, cette garantie sera extensionnée d'une période additionnelle de six mois ou, un total de dix-huit (18) mois à partir de la date d'expédition de notre manufacture ou entrepôt de notre manufacture. Cette garantie ne sera d'aucune façon prolongée pour une plus longue période.
- 2) A sa discrétion, Baldor réparera ou remplacera, F.O.B. Fort Smith, Arkansas, ou du plus proche Centre de Service Autorisé Baldor, à ses dépens, tout moteur défectueux pour cause de matériel ou de main d'oeuvre durant la durée de cette garantie.
- 3) Baldor ne sera pas responsable pour le coût d'enlèvement de ses moteurs de l'équipement qu'ils font tourner, ni du coût de livraison de ses moteurs à ou de Fort Smith, ou du Centre de Service Autorisé Baldor, ni du coût des dommages conséquents résultant de défauts de ces moteurs.
- 4) Lorsqu'un Centre de Service Autorisé de Baldor sera convaincu à sa satisfaction qu'un moteur a développé un défaut en dedans de la période de garantie, il sera autorisé à procéder aux réparations requises pour remplir notre garantie quand le coût de ces réparations n'excédera pas le montant de réparation alloué par Baldor. Cependant dans les situations d'urgence, nous pourrions si on le juge nécessaire autoriser les travaux de réparation.
- 5) Le coût réparation alloué par d'autres que les Centres de Service Autorisés de Baldor ne sera pas absorbé par nous à moins d'avoir d'abord obtenu notre autorisation.
- 6) Les réclamations d'un propriétaire de ces moteurs, devenus défectueux même en dedans d'une heure de leur mise en service ne sont pas toujours justifiables. Conséquemment les Centres de Service Autorisés Baldor doivent déterminer par la condition du moteur au moment qu'il leur est livré, si oui ou non ce moteur est défectueux. Si, dans l'opinion du Centre de Service Autorisé Baldor, le défaut de moteur n'est pas dû à un défaut de matériel ou de main d'oeuvre, il ne devra procéder à la réparation seulement si le propriétaire s'engage à en payer le coût. S'il y a dispute, le propriétaire devra quand même en payer le coût et ensuite soumettre la facture et le rapport du Centre de Service Autorisé Baldor à Baldor pour considération. Le problème sera alors résolu, avec le propriétaire où la partie qui présentera la réclamation pour ajustement, directement par Baldor.

**TO PURCHASE THIS PRODUCT PLEASE CONTACT US**



**Equipment Financing and  
Extended Warranties Available**



**Discount-Equipment.com is your online resource for  
commercial and industrial quality parts and equipment sales.**

**561-964-4949**

**visit us on line @ [www.discount-equipment.com](http://www.discount-equipment.com)**

Select an option below to find your Equipment

**Search by Manufacturer**

**Search by Product Type**

**Request a Quote**

We sell worldwide for the brands: Genie, Terex, JLG, MultiQuip, Mikasa, Essick, Whiteman, Mayco, Toro Stone, Diamond Products, Generac Magnum, Airman, Haulotte, Barreto, Power Blanket, Nifty Lift, Atlas Copco, Chicago Pneumatic, Allmand, Miller Curber, Skyjack, Lull, Skytrak, Tsurumi, Husquvarna Target, Stow, Wacker, Sakai, Mi-T-M, Sullair, Basic, Dynapac, MBW, Weber, Bartell, Bennar Newman, Haulotte, Ditch Runner, Menegotti, Morrison, Contec, Buddy, Crown, Edco, Wyco, Bomag, Laymor, EZ Trench, Bil-Jax, F.S. Curtis, Gehl Pavers, Heli, Honda, ICS/PowerGrit, IHI, Partner, Imer, Clipper, MMD, Koshin, Rice, CH&E, General Equipment, Amida, Coleman, NAC, Gradall, Square Shooter, Kent, Stanley, Tamco, Toku, Hatz, Kohler, Robin, Wisconsin, Northrock, Oztec, Toker TK, Rol-Air, APT, Wylie, Ingersoll Rand / Doosan, Innovatech, Con X, Ammann, Mecalac, Makinex, Smith Surface Prep, Small Line, Wanco, Yanmar



www.Discount-Equipment.com



*elipper*®

# WARNING

Some dust created by power sanding, sawing, grinding, drilling, and other construction activities contains chemicals known to cause cancer, birth defects or other reproductive harm. Some examples of these chemicals are:

- Lead from lead-based paints,
- Crystalline silica from bricks and cement and other masonry products, and
- Arsenic and chromium from chemically-treated lumber.

Your risk from these exposures varies, depending on how often you do this type of work. To reduce your exposure to these chemicals: work in a well ventilated area, and work with approved safety equipment, such as those dust masks that are specially designed to filter out microscopic particles.