

## Parts List Manual

# VAC-290



Manual - Portable

# PARTS FINDER

**Search Website  
by Part Number**



**Search Manual  
Library For Parts  
Manual & Lookup Part  
Numbers – Purchase  
or Request Quote**

**Search Manuals**

Enter your information to help us find the right parts manual for your machine.

\* Brand:

\* Model:

\* Serial:

\* Part Number:

SEARCH

**Can't Find Part or  
Manual? Request Help  
by Manufacturer,  
Model & Description**

**Parts Order Form**

Please fill in the following information to help us find the right part for your machine.

Manufacturer:	<input type="text"/>
Model:	<input type="text"/>
Description:	<input type="text"/>
Part Number:	<input type="text"/>
Quantity:	<input type="text"/>
Notes:	<input type="text"/>

Submit

Discount-Equipment.com is your online resource for quality parts & equipment.

Florida: **561-964-4949** Outside Florida TOLL FREE: **877-690-3101**

**Need parts?**

Click on this link: <http://www.discount-equipment.com/category/5443-parts/> and choose one of the options to help get the right parts and equipment you are looking for. Please have the machine model and serial number available in order to help us get you the correct parts. If you don't find the part on the website or on one of the online manuals, please fill out the request form and one of our experienced staff members will get back to you with a quote for the right part that your machine needs.

We sell worldwide for the brands: Genie, Terex, JLG, MultiQuip, Mikasa, Essick, Whiteman, Mayco, Toro Stone, Diamond Products, Generac Magnum, Airman, Haulotte, Barreto, Power Blanket, Nifty Lift, Atlas Copco, Chicago Pneumatic, Allmand, Miller Curber, Skyjack, Lull, Skytrak, Tsurumi, Husquvarna Target, Stow, Wacker, Sakai, Mi-T-M, Sullair, Basic, Dynapac, MBW, Weber, Bartell, Bennar Newman, Haulotte, Ditch Runner, Menegotti, Morrison, Contec, Buddy, Crown, Edco, Wyco, Bomag, Laymor, EZ Trench, Bil-Jax, F.S. Curtis, Gehl Pavers, Heli, Honda, ICS/PowerGrit, IHI, Partner, Imer, Clipper, MMD, Koshin, Rice, CH&E, General Equipment, Amida, Coleman, NAC, Gradall, Square Shooter, Kent, Stanley, Tamco, Toku, Hatz, Kohler, Robin, Wisconsin, Northrock, Oztec, Toker TK, Rol-Air, APT, Wylie, Ingersoll Rand / Doosan, Innovatech, Con X, Ammann, Mecalac, Makinex, Smith Surface Prep, Small Line, Wanco, Yanmar

READ AND UNDERSTAND THE OPERATORS INSTRUCTION MANUAL THOROUGHLY BEFORE ATTEMPTING TO OPERATE THIS EQUIPMENT. Death or serious injury could occur if this machine is used improperly.



## SAFETY MESSAGES



The safety instructions are preceded by a graphic alert message of DANGER, WARNING, or CAUTION.



Indicates an imminent hazard which, if not avoided, will result in death or serious injury.



Indicates an imminent hazard which, if not avoided, can result in death or serious injury.



Indicates hazards which, if not avoided, could result in serious injury and or damage to the equipment.

## GASOLINE Powered Equipment



- Do not operate gasoline powered equipment without adequate ventilation. Carbon monoxide is an invisible, odorless gas that can kill.

## ELECTRICAL Powered Equipment



- ELECTRICAL HAZARD** - Be sure equipment is properly grounded. Failure to comply could kill or result in serious injury.



The engine exhaust from this product contains chemicals known to the State of California to cause cancer, birth defects or other reproductive harm.

## GENERAL INSTRUCTIONS



- You must read and understand the operators instruction manual and all other manuals associated with this machine. For your safety and the safety of others around you, it is extremely important to fully understand how to operate this machine in the way it was intended. Different model machines or older/newer versions of the same model may have different parts and controls that you need to understand. If instructions are not readable or available DO NOT USE this machine and contact Discount-equipment for a replacement Manual.
- You must be able to physically handle the bulk weight and power of this machine. If not properly controlled this machine can cause death or serious injury.
- Do not operate this machine in an impaired mental state. You must be able to exercise good judgement and reactions to maintain a safe working environment.
- This is a "one person" machine which means only one operator can be operating the machine at any one time. For the safety of others, maintain a safe operating distance to other personnel. Your work area should be defined and appropriately marked so bystanders and coworkers do not stand or walk near this machine and end up seriously injured by flying debris or exposing them to harmful noise or dust.
- This equipment is for Commercial use. Although this is a "one person" machine your work team should understand how to shut this machine off and quickly get medical help if an accident strikes the operator.
- Keep all guards in place during operation. The guards are to provide protection from inadvertent contact with dangerous moving parts, pinch points, or hot surfaces.
- Wear appropriate Personal Protective Equipment (PPE) including safety glasses, safety boots, work gloves, respiratory protection, hearing protection, and head protection. Do not wear loose clothing that can get tangled in moving parts. Failure to do so could result

in dismemberment or death. **Wear an approved respirator when removing hazardous materials or when grinding/cutting dry materials. Some dust particles such as concrete dust can contain silicate particles which can cause silicosis (a very serious lung disease). Contact NIOSH or OSHA for further details. When wet grinding/cutting, avoid contact with the concrete/asphalt slurry which can cause serious skin irritations.**

- You must maintain this machine per the maintenance schedule in the operator manual. Remember before adjusting, servicing, or fueling this machine, disconnect the source of power to the machine by disconnecting the spark plug (Gas models), or by unplugging the electrical power cord (electric models) or air hose (Pneumatic models) AT THE MACHINE so you can assure yourself it remains unplugged while you are working on it. Do not modify this machine. Use only genuine EDCO parts and accessories. Repairs and service should be performed by approved EDCO dealers or authorized technicians.
- You should look carefully around the area before you begin work so you can identify potential hazards such as deck inserts, pipes, columns, openings, electrical cords or outlets, or any other objects protruding from the slab surface.
- This machine has no brain so you must use your own. There is no substitute for safety. The safety decals on the machine are to serve as a reminder for information you must already know before you begin using this machine. Take a moment to reread the safety decals each time you use the machine. If your machine is missing any decals, contact Discount-equipment for a replacement.

# PARTS LIST MANUAL

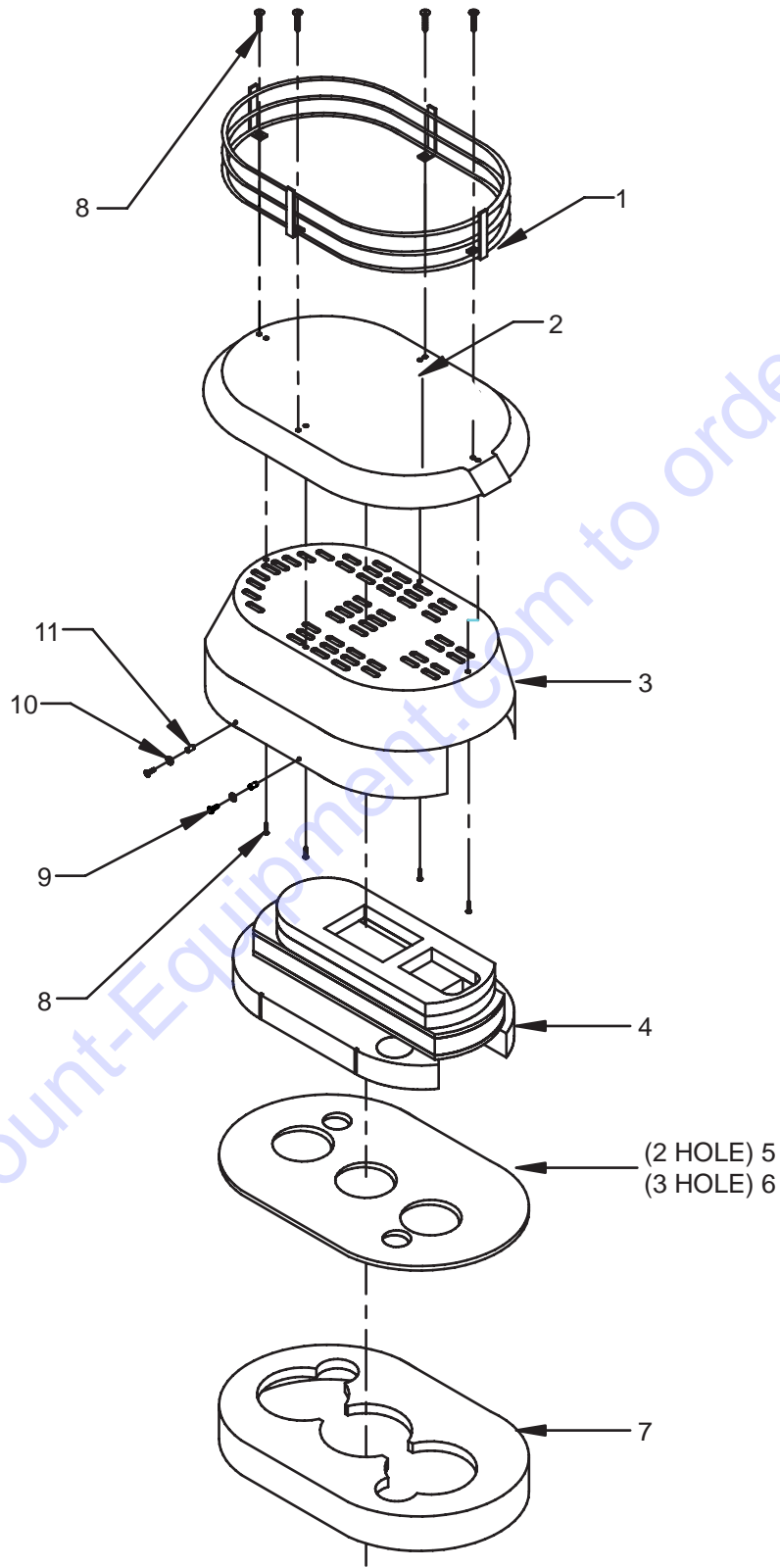
## VAC-290

<u>Section</u>	<u>Page Number</u>
Safety Messages / General Instructions .....	2
How To Order Replacement Parts .....	3
Illustration 1 : Silencer w/Raun Guard & Tool Caddie Assembly .....	4,5
Illustration 2 : Motor Assembly .....	6,7
Illustration 3 : Filter Assemblies .....	8,9
Illustration 4 : Hepa Filter & MiniHelic Assembly .....	10,11
Illustration 5 : Base Assembly .....	12,13
Illustration 6 : Dust Pan Lever Assembly .....	14,15
Illustration 7 : Inlet Assembly .....	16,17
Illustration 8 : Hose & Adaptor .....	18
Blank Page .....	19
Limited Equipment Warranty .....	Back Cover

Go to Discount-Equipment.com to order your parts



# ILLUSTRATION #1 : SILENCER w/RAIN GUARD & TOOL CADDIE ASSEMBLY

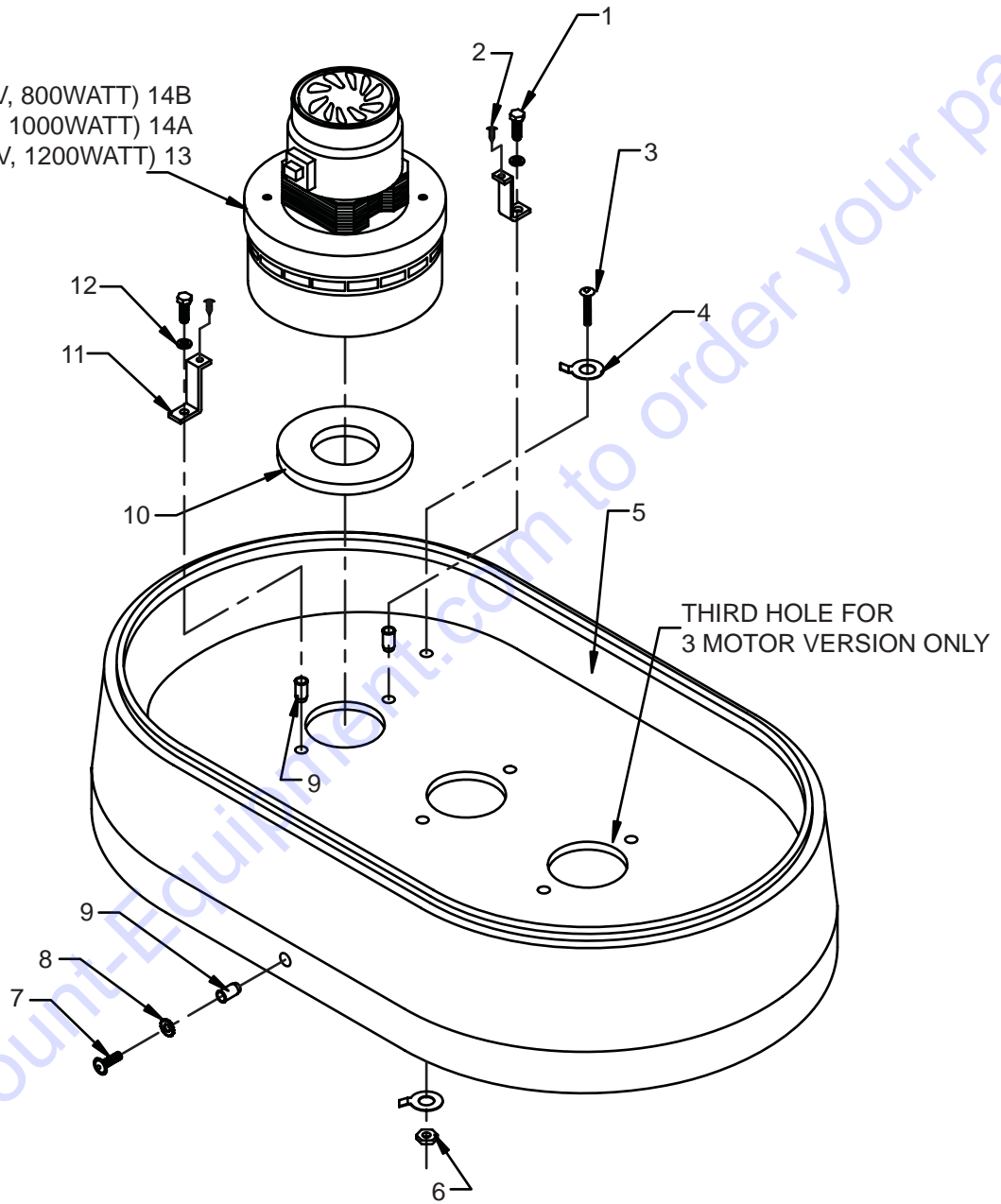


**PARTS LISTING - ILLUSTRATION #1 : SILENCER w/RAIN GUARD & TOOL  
CADDIE ASSEMBLY**

ITEM #	PART #	DESCRIPTION	QTY
1	ED25175	TOOL BASKET	1
2	ED32986	RAIN GUARD	1
3	ED34980	SILENCER HOOD	1
4	ED34982	SILENCER FOAM ASSEMBLY	1
5	ED34985	AIR CHANNEL PLATE, 2 MOTOR	1
6	ED34986	AIR CHANNEL PLATE, 3 MOTOR	1
7	ED34984	FOAM ASSEMBLY FOR MOTORS, LOWER	1
8	ED25064	#8 X 5/8 PHIL PAN HEAD, ZINC	8
9	ED3481701	M6X25 ALLEN HEAD SCREW	4
10	ED25000	1/4" STAR WASHER, EXTERNAL	4
11	ED34817A	M6 BLIND PEM	4

# ILLUSTRATION #2 : MOTOR ASSEMBLY

WS 2320 (120V, 800WATT) 14B  
WS 2220 (120V, 1000WATT) 14A  
WS 2220, WS 2320 (240V, 1200WATT) 13



**PARTS LISTING - ILLUSTRATION #2 : WS2220 120V, 240V MOTOR ASSEMBLY**

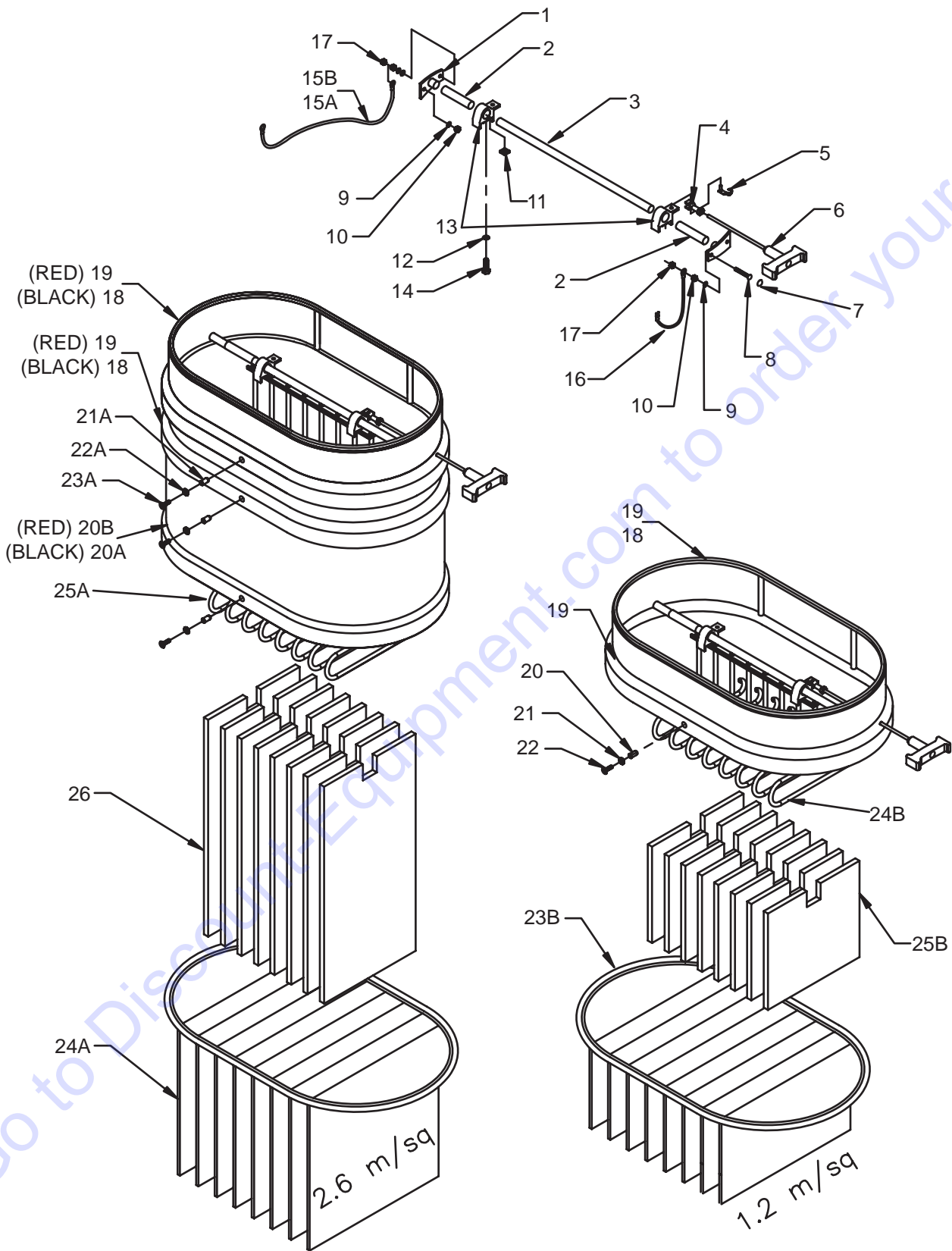
ITEM #	PART #	DESCRIPTION	QTY
1	ED34854	M6X25 HEX CAP	4
2	ED27012	#8 X 1/2" PHIL PAN HEAD, ZINC	4
3	ED34817	M6 X 20 ULS ALLEN HEAD SCREW	1
4	ED34998	GROUND CONNECTION, FOR BOLT	2
5	ED34983	WS MOTOR DECK	1
6	ED34876	M6 LOCK NUT, ZINC	1
7	ED3481701	M6X25 ALLEN HEAD SCREW	2
8	ED25000	1/4" STAR WASHER, EXTERNAL	2
9	ED34817A	M6 BLIND PEM	6
10	ED2509811	NEOPRENE SPONGE GASKET	2
11	ED34826	MOTOR HOLD DOWN BRACKET, WS	4
12	ED20039	M6 SPLIT LOCK WASHER	4
13	ED116549-13	MOTOR, 240V, 1200 WATT	2
14A	ED27002	MOTOR, 120V, 1000 WATT	2

**PARTS LISTING - ILLUSTRATION #2 : WS2320 120V, 240V MOTOR ASSEMBLY**

ITEM #	PART #	DESCRIPTION	QTY
1	ED34854	M6X25 HEX CAP	6
2	ED27012	#8 X 1/2" PHIL PAN HEAD, ZINC	6
3	ED34817	M6 X 20 ULS ALLEN HEAD SCREW	1
4	ED34998	GROUND CONNECTION, FOR BOLT	2
5	ED34983	WS MOTOR DECK	1
6	ED34876	M6 LOCK NUT, ZINC	1
7	ED3481701	M6X25 ALLEN HEAD SCREW	2
8	ED25000	1/4" STAR WASHER, EXTERNAL	2
9	ED34817A	M6 BLIND PEM	8
10	ED2509811	NEOPRENE SPONGE GASKET	3
11	ED34826	MOTOR HOLD DOWN BRACKET, WS	6
12	ED20039	M6 SPLIT LOCK WASHER	6
13	ED116549-13	MOTOR, 240V, 1200 WATT	3
14B	ED119514	MOTOR, 120V, 800 WATT	3



# ILLUSTRATION #3 : FILTER ASSEMBLIES 1.2 & 2.6 sq/m



# PARTS FINDER

**Search Website  
by Part Number**



**Search Manual  
Library For Parts  
Manual & Lookup Part  
Numbers – Purchase  
or Request Quote**

**Search Manuals**

Enter your information to help us find the right parts manual for your machine.

\* Brand:

\* Model:

\* Serial:

\* Part Number:

SEARCH

**Can't Find Part or  
Manual? Request Help  
by Manufacturer,  
Model & Description**

**Parts Order Form**

Please fill in the following information to help us find the right part for your machine.

Manufacturer:	<input type="text"/>
Model:	<input type="text"/>
Description:	<input type="text"/>
Part Number:	<input type="text"/>
Quantity:	<input type="text"/>
Notes:	<input type="text"/>

Discount-Equipment.com is your online resource for quality parts & equipment.

Florida: **561-964-4949** Outside Florida TOLL FREE: **877-690-3101**

**Need parts?**

Click on this link: <http://www.discount-equipment.com/category/5443-parts/> and choose one of the options to help get the right parts and equipment you are looking for. Please have the machine model and serial number available in order to help us get you the correct parts. If you don't find the part on the website or on one of the online manuals, please fill out the request form and one of our experienced staff members will get back to you with a quote for the right part that your machine needs.

We sell worldwide for the brands: Genie, Terex, JLG, MultiQuip, Mikasa, Essick, Whiteman, Mayco, Toro Stone, Diamond Products, Generac Magnum, Airman, Haulotte, Barreto, Power Blanket, Nifty Lift, Atlas Copco, Chicago Pneumatic, Allmand, Miller Curber, Skyjack, Lull, Skytrak, Tsurumi, Husquvarna Target, Stow, Wacker, Sakai, Mi-T-M, Sullair, Basic, Dynapac, MBW, Weber, Bartell, Bennar Newman, Haulotte, Ditch Runner, Menegotti, Morrison, Contec, Buddy, Crown, Edco, Wyco, Bomag, Laymor, EZ Trench, Bil-Jax, F.S. Curtis, Gehl Pavers, Heli, Honda, ICS/PowerGrit, IHI, Partner, Imer, Clipper, MMD, Koshin, Rice, CH&E, General Equipment, Amida, Coleman, NAC, Gradall, Square Shooter, Kent, Stanley, Tamco, Toku, Hatz, Kohler, Robin, Wisconsin, Northrock, Oztec, Toker TK, Rol-Air, APT, Wylie, Ingersoll Rand / Doosan, Innovatech, Con X, Ammann, Mecalac, Makinex, Smith Surface Prep, Small Line, Wanco, Yanmar

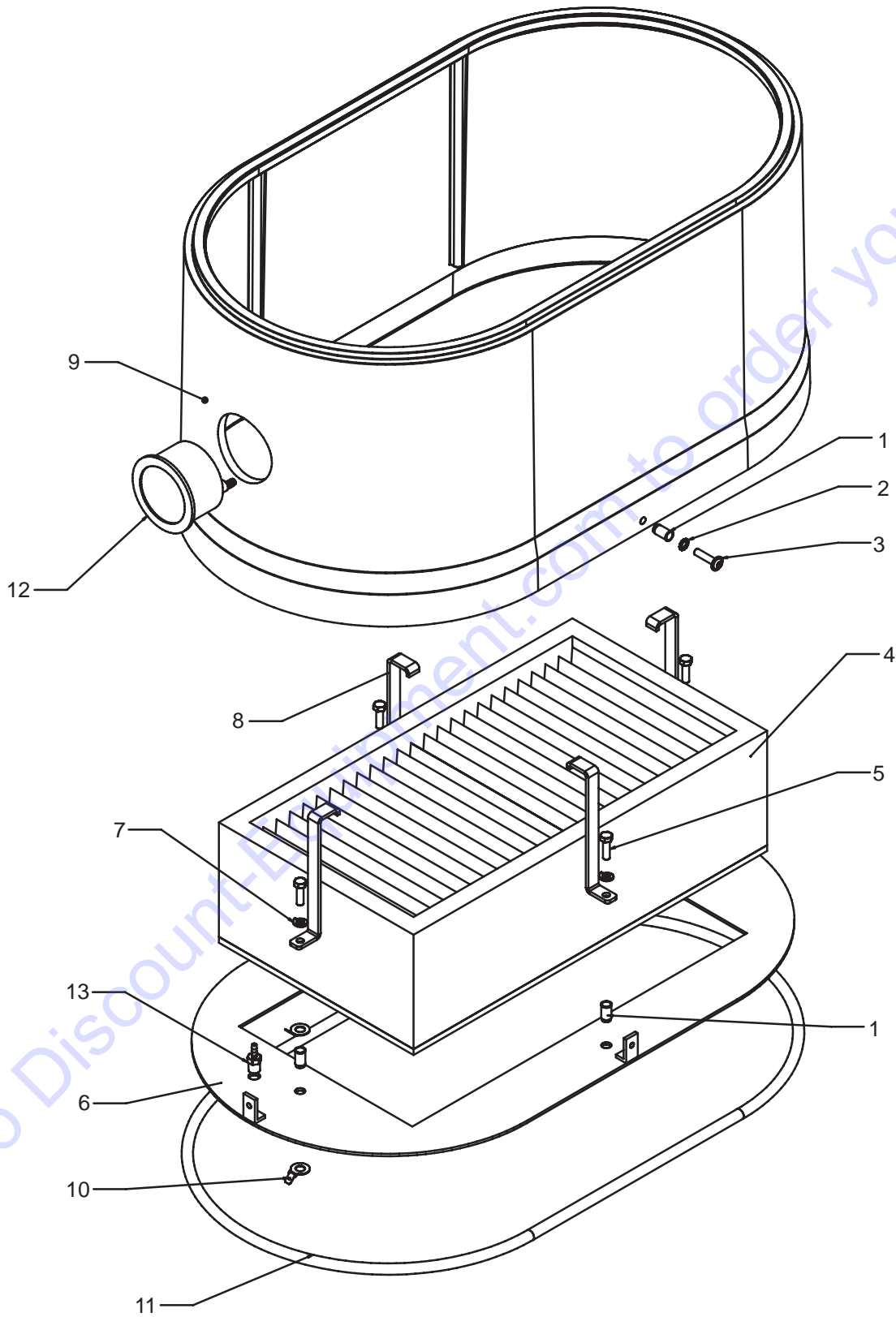
**PARTS LISTING - ILLUSTRATION #3 : 1.2 FILTER ASSEMBLY**

ITEM #	PART #	DESCRIPTION	QTY
1	ED34806	34806 SHAKER ROD MOUNTING SUPPORT	2
2	ED34805	CLEAR HOSE, 3/4 ID	2
3	ED34804	SLIDE BAR	1
4	ED25047	STEEL YOKE END	1
5	ED34879	SPRING CLIP, 6X12	1
6	ED22565	SHAKER BAR WITH SWIVEL HANDLE	1
7	ED34871	PLASTIC PLUG 4.5/13	4
8	ED34815	M6 X 30 ALLEN SCREW COUNTER SUNK	4
9	ED20039	M6 SPLIT LOCK WASHER	4
10	ED20040	M6 HEX NUT	4
11	ED20045	SQUARE NUT, 8MM, ZINC	2
12	ED20050	M8 LOCK WASHER	2
13	ED34802	SLIDE ASSEMBLY, W/HOOK	2
14	ED25038	M8 HEX CAP-1.25X20 ZINC	2
15B	ED34868	GROUND, DEFLECTOR, 1.2 FILTER	1
16	ED34866	GROUND, SHAKER TO MOTOR DECK	1
17	ED34876	M6 LOCK NUT	2
18	ED32834	HOUSING SPACER, SMALL, BLACK	1
19	ED34823	HOUSING SPACER, SMALL, RED	1
20	ED34817A	M6 BLIND PEM	2
21	ED25000	1/4" STAR WASHER	2
22	ED3481701	M6X25 ALLEN HEAD SCREW	2
23B	ED20091	FILTER, 13 SQ/FT, 1.2M2	1
24B	ED25056	FILTER SHAKER INSERT, 1.2M	1
25B	ED20091F	FILTER INSERT, 1.2M	1

**PARTS LISTING - ILLUSTRATION #3 : 2.6 FILTER ASSEMBLY**

ITEM #	PART #	DESCRIPTION	QTY
1	ED34806	SHAKER ROD MOUNTING SUPPORT	2
2	ED34805	CLEAR HOSE, 3/4 ID	2
3	ED34804	SLIDE BAR	1
4	ED25047	STEEL YOKE END	1
5	ED34879	SPRING CLIP, 6X12	1
6	ED22565	SHAKER BAR WITH SWIVEL HANDLE	1
7	ED34871	PLASTIC PLUG 4.5/13	4
8	ED34815	M6 X 30 ALLEN SCREW COUNTER SUNK	4
9	ED20039	M6 SPLIT LOCK WASHER	4
10	ED20040	M6 HEX NUT	4
11	ED20045	SQUARE NUT, 8MM, ZINC	2
12	ED20050	M8 LOCK WASHER	2
13	ED34802	SLIDE ASSEMBLY, W/HOOK	2
14	ED25038	M8 HEX CAP-1.25X20 ZINC	2
15A	ED34869	GROUND, DEFLECTOR, 2.6 FILTER, NO GROUND FOR BLACK MACHINES	1
16	ED34866	GROUND, SHAKER TO MOTOR DECK, NO GROUND FOR BLACK MACHINES	1
17	ED34876	M6 LOCK NUT	2
18	ED32834	HOUSING SPACER, SMALL, BLACK	2
19	ED34823	HOUSING SPACER, SMALL, RED	2
20A	ED32835	HOUSING SPACER, LARGE, BLACK	1
20B	ED34820	HOUSING SPACER, LARGE, RED	1
21A	ED34817A	M6 BLIND PEM	6
22A	ED25000	1/4" STAR WASHER	6
23A	ED3481701	M6X25 ALLEN HEAD SCREW	6
24A	ED30091	FILTER, 28 SQ/FT, 2.6 M2	1
25A	ED34807	FILTER SHAKER INSERT, 2.6M	1
26	ED30091F	FILTER INSERT, 2.6M	1

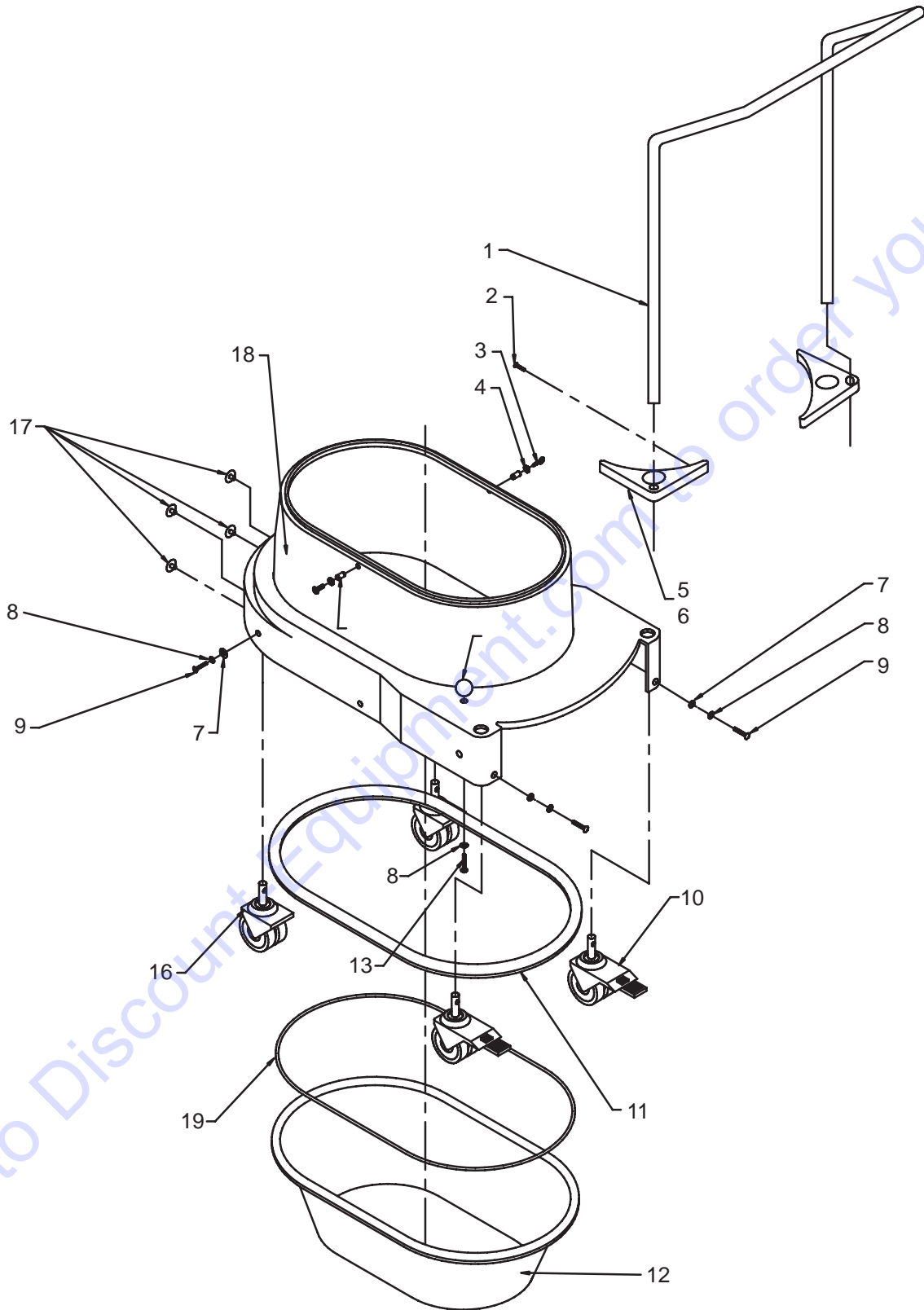
ILLUSTRATION #4 : HEPA FILTER & MINIHHELIC ASSEMBLY



**PARTS LISTING - ILLUSTRATION #4 : HEPA FILTER & MINIHELIC ASSEMBLY**

ITEM #	PART #	DESCRIPTION	QTY
1	ED34817A	M6 BLIND PEM	6
2	ED25000	1/4" STAR WASHER, EXTERNAL	2
3	ED3481701	M6X25 ALLEN HEAD SCREW	2
4	ED35211	HEPA FILTER 40 SQ FOOT, WS, DS1	1
5	ED32903	M6X1.0 X 20 HEX CAP SCREW, ZINC	4
6	ED34947	HEPA ADAPTER PLATE, DS1	1
7	ED20039	M6 SPLIT LOCK WASHER	4
8	ED34949	HEPA HOLD DOWN BRACKET	4
9	ED34820	HOUSING SPACER, LARGE, RED	1
10	ED34998	GROUND CONNECTION, FOR BOLT	2
11	ED25098	GASKET, ROUND, 10MM	1
12	ED25143	MINIHELIC, WITH MOUNTING	1
13	ED25149	HOSE BARB , 1/8 NPT X 1/8 BARB	1
14	ED34800	CLEAR HOSE, 1/8" ID 0.5	0.5

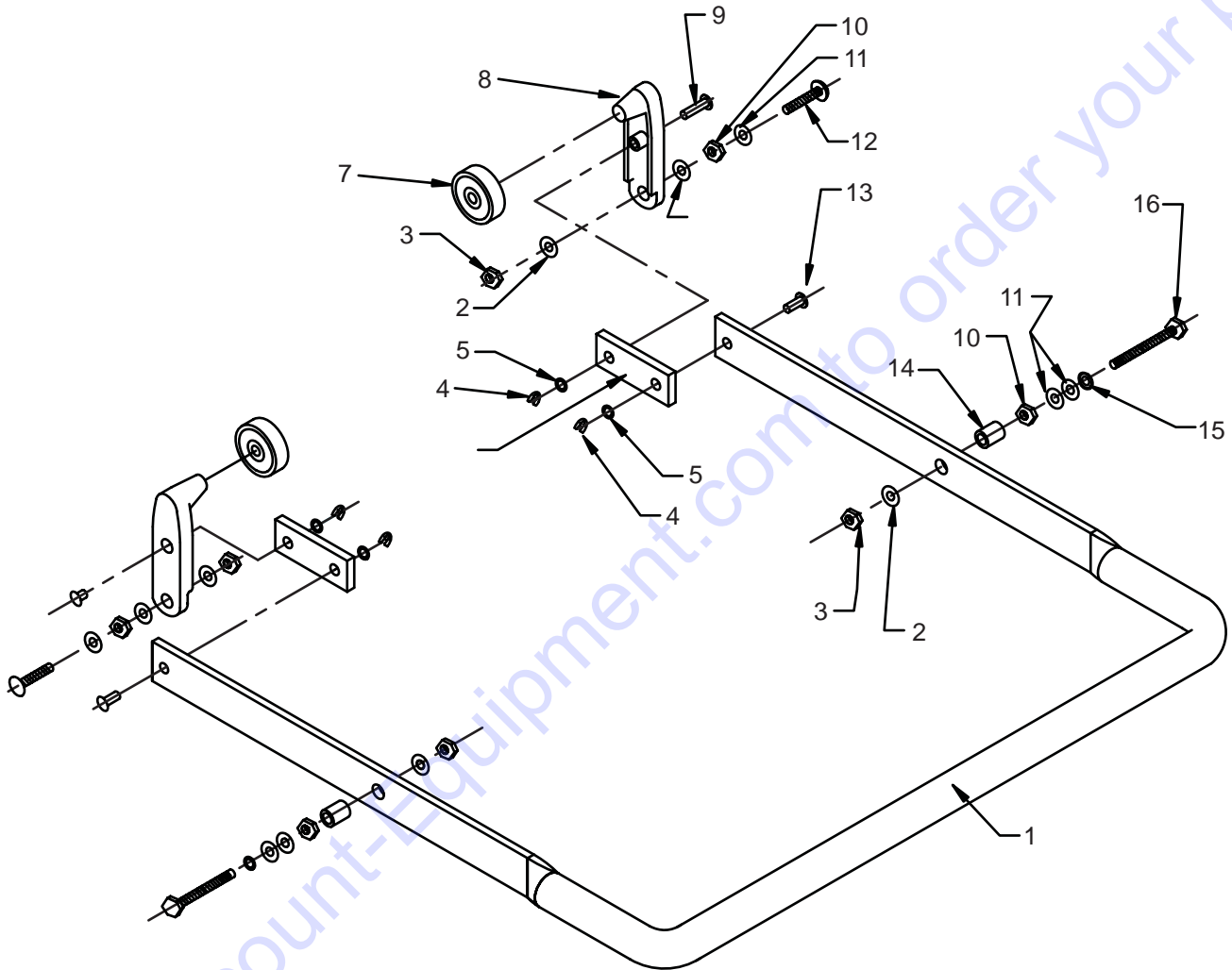
# ILLUSTRATION #5 : BASE ASSEMBLY



## PARTS LISTING - ILLUSTRATION #5 : BASE ASSEMBLY

ITEM #	PART #	DESCRIPTION	QTY
1	ED25080	PUSH HANDLE	1
2	ED32988	#8 X 1 PHIL TRUSS HEAD, ZINC	4
3	ED3481701	M6X25 ALLEN HEAD SCREW	2
4	ED25000	1/4" STAR WASHER	2
5	ED32039	HANDLE SUPPORT, PLASTIC	2
6	ED34809	HANDLE SUPPORT, ALUMINUM	2
7	ED34882	M8 FLAT WASHER	4
8	ED25037	M8 WASHER	5
9	ED25054	M8 X 25 HEX BOLT	4
10	ED25085	DUAL CASTERS, FIXED, 75MM, W/STUD	2
11	ED20070	GASKET, DUST PAN/LOWER HOUSING, 20X15MM	1
12	ED34813	DUST PAN, 35LTR, RED	1
13	ED25038	M8 HEX CAP-1.25X20 ZINC	1
14	ED25060	KNOB, BLACK, 8MM	1
15	ED34817A	M6 BLIND PEM	2
16	ED25084	DOUBLE CASTERS, SWIVEL, 75MM	2
17	ED22120	PLUG, 8MM, BLACK	4
18	ED34808	LOWER HOUSING, RED	1
19	ED2509865	DUST PAN REPLACEMENT GASKET	1

# ILLUSTRATION #6 : DUST PAN LEVER ASSEMBLY



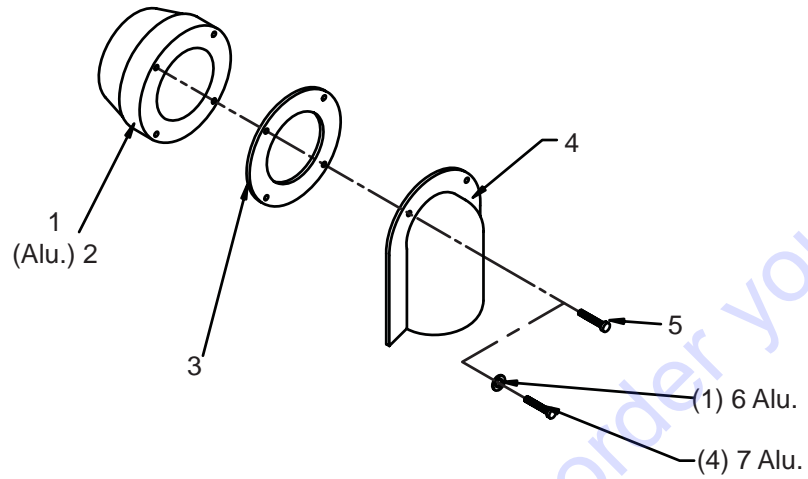


**PARTS LISTING - ILLUSTRATION #6 : DUST PAN LEVER ASSEMBLY**

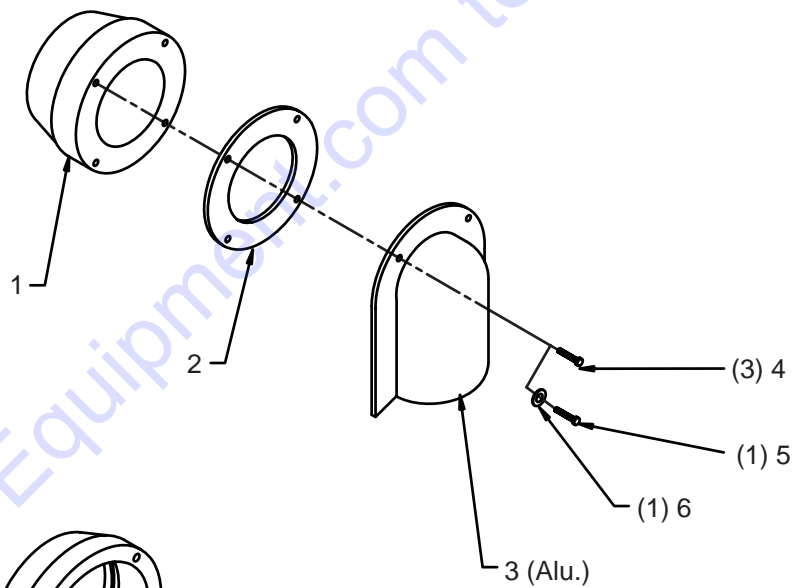
ITEM #	PART #	DESCRIPTION	QTY
1	ED20010	FOOT LEVER	1
2	ED25061	M8 FLAT WASHER, ZINC	6
3	ED30029	M8 LOCK NUT	4
4	ED34923	C SPRING CLIP	4
5	ED25067	M6 FLAT WASHER	4
6	ED20027	FLAT STEEL PIVOT	2
7	ED34853	DUST PAN LEVER BEARING	2
8	ED34852	DUST PAN TENSION LEVER	2
9	ED34922	PIN,D=6X 19MM	2
10	ED20044	M8 HEX NUT -8	4
11	ED34882	M8 FLAT WASHER	6
12	ED25053	M8 X 35 CARRIAGE SCREW	2
13	ED34921	PIN D6X15	2
14	ED34812	SPACER FOR FOOT LEVER	2
15	ED25037	M8 WASHER, EXTERNAL	2
16	ED34811	M8 HEX BOLT, X 55-8.8	2

ILLUSTRATION #7 : 50mm, 70mm & 100mm INLET ASSEMBLY

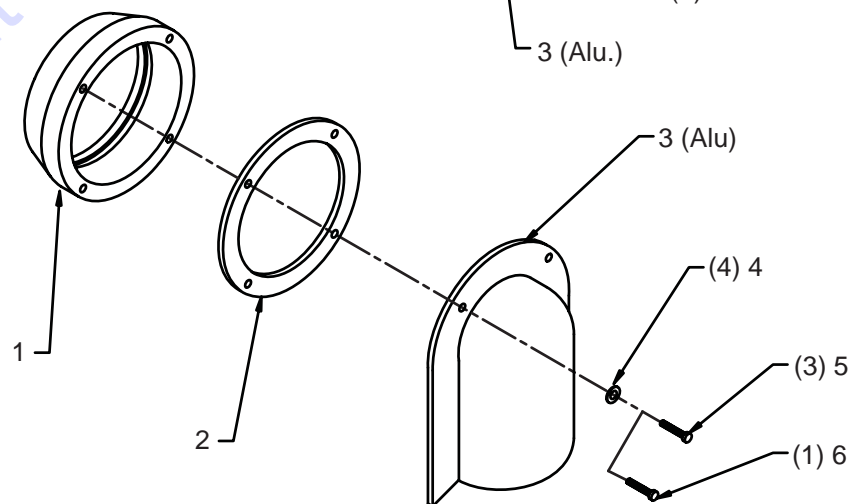
50mm



70mm



100mm



**PARTS LISTING - ILLUSTRATION #7 : 50mm INLET ASSEMBLY**

ITEM #	PART #	DESCRIPTION	QTY
1	ED31963	INLET, 50MM, GFK BLACK PLASTIC	1
2	ED20006	INLET, 50MM, ALUMINUM	1
3	ED34870	GASKET 50MM INLET	1
4	ED20021	INLET DEFLECTOR, 50MM, METAL	1
5	ED32988	#8 X 1 PHIL TRUSS HEAD, ZINC	4
6	ED20025	WASHER, STAR LOCKING, M4	1
7	ED25057	M4X20 SOCKET SCREW CAP	4

**PARTS LISTING - ILLUSTRATION #7 : 70mm INLET ASSEMBLY**

ITEM #	PART #	DESCRIPTION	QTY
1	ED30007	INLET, 70MM, ALUMINUM	1
2	ED34821	GASKET, 70MM INLET	1
3	ED30008	DEFLECTOR, 70MM, ALUMINUM	1
4	ED32866	M5-.8X30 SOCKET CAP, ALLEN HEAD	3
5	ED32863	M5-.8X20 SOCKET CAP SCREW	1
6	ED32867	32867 M5 EXT TOOTH LOCK WASHER ZINC	1

**PARTS LISTING - ILLUSTRATION #7 : 100mm INLET ASSEMBLY**

ITEM #	PART #	DESCRIPTION	QTY
1	ED35188	INLET, 100MM, ALUMINUM	1
2	ED34918	GASKET, 100MM INLET	1
3	ED35189	DEFLECTOR, 100MM, ALUMINUM	1
4	ED32867	M5 EXT TOOTH LOCK WASHER ZINC	4
5	ED32866	M5-.8X30 SOCKET CAP, ALLEN HEAD	3
6	ED32863	M5-.8X20 SOCKET CAP SCREW	1

**PARTS LISTING - ILLUSTRATION #8 : 2 & 3 INCH HOSE & ADAPTORS**

ITEM #	PART #	DESCRIPTION	QTY
1	ED501425-CON	2.00" x 25' w/(2) 2.00" rubber cuffs	25'
1	ED701225	3.00" x 25' w/(2) 2.75" rubber cuffs	25'
2	ED7018-BL	Hose Connector 3.00"	1
3	ED5220-BL	Hose Connector 2.00"	1



# PARTS FINDER

Search Website  
by Part Number



Search Manual  
Library For Parts  
Manual & Lookup Part  
Numbers – Purchase  
or Request Quote

**Search Manuals**

Enter your machine model and serial number to search for parts manuals.

\* Brand:

\* Serial Number:

\* Model:

Serial:

Part Number:

Category:

Submit

Can't Find Part or  
Manual? Request Help  
by Manufacturer,  
Model & Description

**Parts Order Form**

Please fill out this form to request help finding parts.

Manufacturer	Model	Description
<input type="text"/>	<input type="text"/>	<input type="text"/>
<input type="text"/>	<input type="text"/>	<input type="text"/>
<input type="text"/>	<input type="text"/>	<input type="text"/>
<input type="text"/>	<input type="text"/>	<input type="text"/>
<input type="text"/>	<input type="text"/>	<input type="text"/>
<input type="text"/>	<input type="text"/>	<input type="text"/>
<input type="text"/>	<input type="text"/>	<input type="text"/>
<input type="text"/>	<input type="text"/>	<input type="text"/>
<input type="text"/>	<input type="text"/>	<input type="text"/>
<input type="text"/>	<input type="text"/>	<input type="text"/>
<input type="text"/>	<input type="text"/>	<input type="text"/>
<input type="text"/>	<input type="text"/>	<input type="text"/>
<input type="text"/>	<input type="text"/>	<input type="text"/>
<input type="text"/>	<input type="text"/>	<input type="text"/>
<input type="text"/>	<input type="text"/>	<input type="text"/>
<input type="text"/>	<input type="text"/>	<input type="text"/>
<input type="text"/>	<input type="text"/>	<input type="text"/>
<input type="text"/>	<input type="text"/>	<input type="text"/>
<input type="text"/>	<input type="text"/>	<input type="text"/>
<input type="text"/>	<input type="text"/>	<input type="text"/>
<input type="text"/>	<input type="text"/>	<input type="text"/>

Discount-Equipment.com is your online resource for quality parts & equipment.

Florida: **561-964-4949** Outside Florida TOLL FREE: **877-690-3101**

Need parts?

Click on this link: <http://www.discount-equipment.com/category/5443-parts/> and choose one of the options to help get the right parts and equipment you are looking for. Please have the machine model and serial number available in order to help us get you the correct parts. If you don't find the part on the website or on one of the online manuals, please fill out the request form and one of our experienced staff members will get back to you with a quote for the right part that your machine needs.

We sell worldwide for the brands: Genie, Terex, JLG, MultiQuip, Mikasa, Essick, Whiteman, Mayco, Toro Stone, Diamond Products, Generac Magnum, Airman, Haulotte, Barreto, Power Blanket, Nifty Lift, Atlas Copco, Chicago Pneumatic, Allmand, Miller Curber, Skyjack, Lull, Skytrak, Tsurumi, Husquvarna Target, Stow, Wacker, Sakai, Mi-T-M, Sullair, Basic, Dynapac, MBW, Weber, Bartell, Bennar Newman, Haulotte, Ditch Runner, Menegotti, Morrison, Contec, Buddy, Crown, Edco, Wyco, Bomag, Laymor, EZ Trench, Bil-Jax, F.S. Curtis, Gehl Pavers, Heli, Honda, ICS/PowerGrit, IHI, Partner, Imer, Clipper, MMD, Koshin, Rice, CH&E, General Equipment, Amida, Coleman, NAC, Gradall, Square Shooter, Kent, Stanley, Tamco, Toku, Hatz, Kohler, Robin, Wisconsin, Northrock, Oztec, Toker TK, Rol-Air, APT, Wylie, Ingersoll Rand / Doosan, Innovatech, Con X, Ammann, Mecalac, Makinex, Smith Surface Prep, Small Line, Wanco, Yanmar