

JANUARY 1999
STARTING SERIAL # 25785

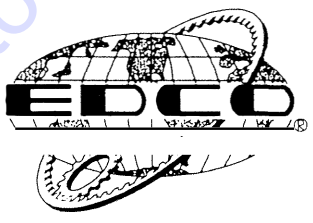


MODEL ALR - BS CHISEL SCALER

INSTRUCTIONS AND PARTS LIST



The
**Big
Stick**



EQUIPMENT DEVELOPMENT COMPANY, INC.



PARTS FINDER

**Search Website
by Part Number**



**Search Manual
Library For Parts
Manual & Lookup Part
Numbers – Purchase
or Request Quote**

Search Manuals

Enter your information to help us find the right parts manual for your machine.

* Brand:

* Model:

* Serial:

* Part Number:

SEARCH

**Can't Find Part or
Manual? Request Help
by Manufacturer,
Model & Description**

Parts Order Form

Please fill in the following information to help us find the right part for your machine.

Manufacturer:	<input type="text"/>
Model:	<input type="text"/>
Description:	<input type="text"/>
Part Number:	<input type="text"/>
Quantity:	<input type="text"/>
Notes:	<input type="text"/>

Discount-Equipment.com is your online resource for quality parts & equipment.

Florida: **561-964-4949** Outside Florida TOLL FREE: **877-690-3101**

Need parts?

Click on this link: <http://www.discount-equipment.com/category/5443-parts/> and choose one of the options to help get the right parts and equipment you are looking for. Please have the machine model and serial number available in order to help us get you the correct parts. If you don't find the part on the website or on one of the online manuals, please fill out the request form and one of our experienced staff members will get back to you with a quote for the right part that your machine needs.

We sell worldwide for the brands: Genie, Terex, JLG, MultiQuip, Mikasa, Essick, Whiteman, Mayco, Toro Stone, Diamond Products, Generac Magnum, Airman, Haulotte, Barreto, Power Blanket, Nifty Lift, Atlas Copco, Chicago Pneumatic, Allmand, Miller Curber, Skyjack, Lull, Skytrak, Tsurumi, Husquvarna Target, Stow, Wacker, Sakai, Mi-T-M, Sullair, Basic, Dynapac, MBW, Weber, Bartell, Bennar Newman, Haulotte, Ditch Runner, Menegotti, Morrison, Contec, Buddy, Crown, Edco, Wyco, Bomag, Laymor, EZ Trench, Bil-Jax, F.S. Curtis, Gehl Pavers, Heli, Honda, ICS/PowerGrit, IHI, Partner, Imer, Clipper, MMD, Koshin, Rice, CH&E, General Equipment, Amida, Coleman, NAC, Gradall, Square Shooter, Kent, Stanley, Tamco, Toku, Hatz, Kohler, Robin, Wisconsin, Northrock, Oztec, Toker TK, Rol-Air, APT, Wylie, Ingersoll Rand / Doosan, Innovatech, Con X, Ammann, Mecalac, Makinex, Smith Surface Prep, Small Line, Wanco, Yanmar

The Big Stick

MADE IN USA

Chisel Scaler
Model ALR - BS

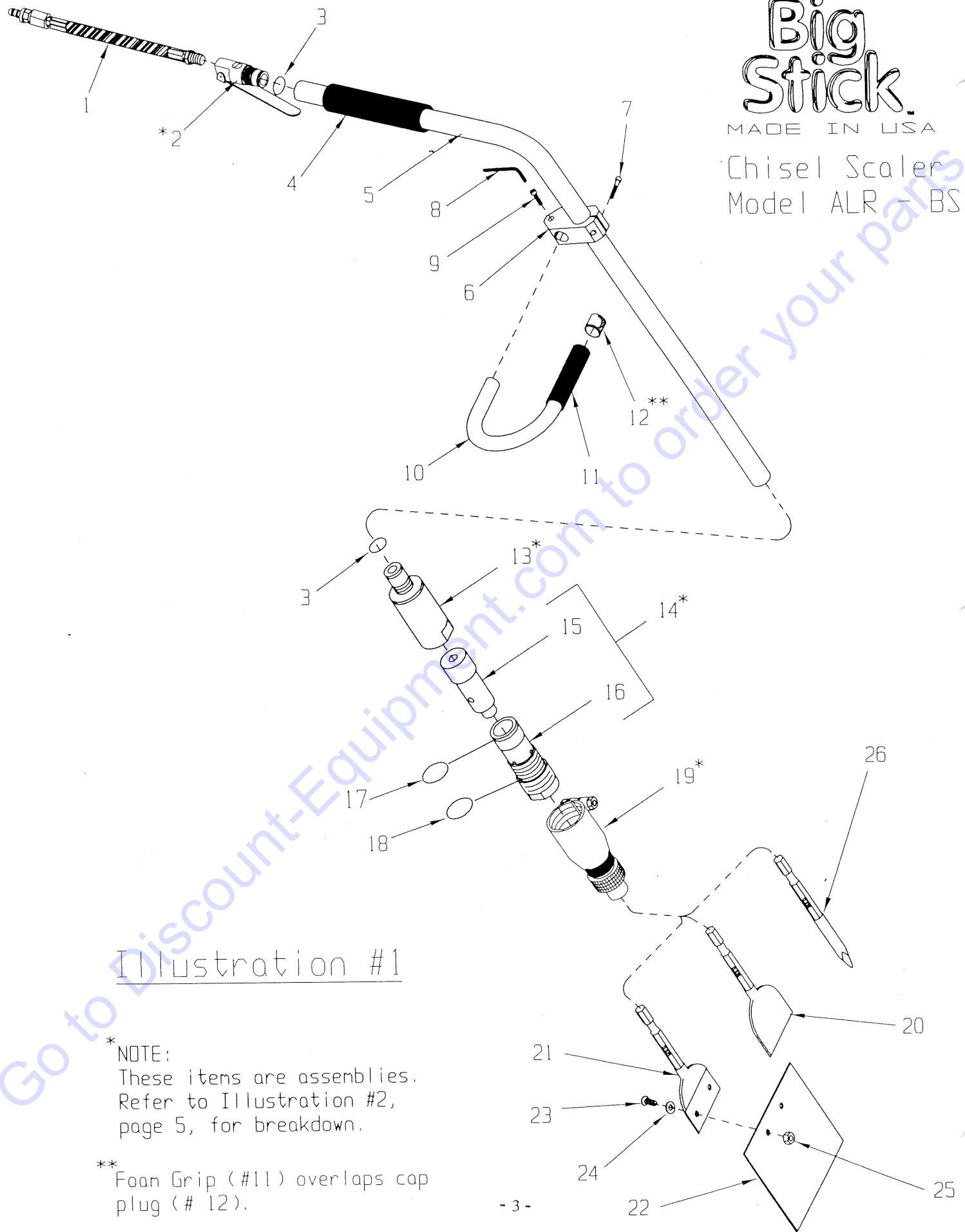


Illustration #1

* NOTE:
These items are assemblies.
Refer to Illustration #2,
page 5, for breakdown.

**
Foam Grip (#11) overlaps cap
plug (# 12).

PARTS LISTING - ILLUSTRATION # 1

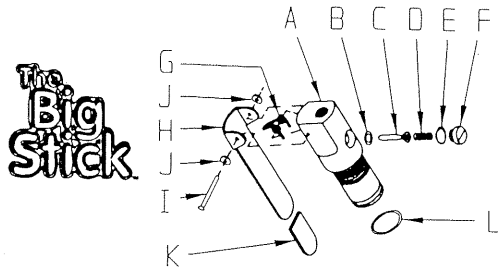
ITEM #	PART #	DESCRIPTION	QTY.
1	27025	WHIP HOSE ASSEMBLY	1
2	27001	VALVE BODY ASSEMBLY (REFER TO ILLUSTRATION # 2 FOR BREAKDOWN)	1
*3	27020	O – RING 2 x 30mm	2
4	27026	GRIP, FOAM 1-1/2" ID x 12" L	1
5	27006	CASING, ERGONOMIC STEEL	1
6	27007	CLAMP, ERGONOMIC HANDLE	1
7	10856	SCREW, SKT. HD. CAP 1/4-20 x 1-1/2	1
8	66045	WRENCH, HEX KEY 3/16 in.	1
9	10869	SCREW, SKT. HD. CAP 1/4-20 x 1	1
10	C10588	HANDLE, U – SHAPED	1
11	61067	GRIP, FOAM 7/8" ID x 5" L	1
12	C10598	PLUG, CAP 1"	1
13	27008	CYLINDER HOUSING ASSEMBLY (STEEL) (REFER TO ILLUSTRATION # 2 FOR BREAKDOWN)	1
14	27028	PISTON & CYLINDER ASSEMBLY (INCLUDES ITEMS 15 THRU 18)	
15	27013	PISTON	1
16	27012	CYLINDER	1
*17	27021	O – RING 2 x 52mm	1
*18	27022	O – RING 2 x 55mm	1
19	27014	CHISEL HOLDER ASSEMBLY, 7/8" HEX SHANK (REFER TO ILLUSTRATION # 2 FOR BREAKDOWN)	1
20		CHISEL, 7/8" SHANK	1
	27033	BS-3 3" SINGLE BEVEL (STANDARD)	
	27031	BS-2 2" SINGLE BEVEL (OPTIONAL)	
	27032	BS-2D 2" DOUBLE BEVEL (OPTIONAL)	
21	27034	BS-3M 3" MILLED CHISEL, 7/8" SHANK (OPTIONAL)	
22		SCRAPER BLADES (TO BE USED w/ # 27034 MILLED CHISEL)	
	27035	BS-6S 6" STANDARD (5-PACK) (OPTIONAL)	
	27036	BS-6B 6" w/ BEVEL (5-PACK) (OPTIONAL)	
23	10855	SCREW, SKT. BUTTON HEAD 3/8-24 x 1	2
24	10025	WASHER, FLAT 3/8	2
25	10152	NUT, NYLON LOCK 3/8-24	2
26	27037	BS – MPT CHIPPING POINT (OPTIONAL)	

*** NOTE :**

TO ORDER KIT OF ALL O – RINGS (8 TOTAL) USE PART # 27030
THIS KIT INCLUDES ITEMS # 3, 17, & 18 FROM ILLUSTRATION
1 AND ITEMS 2-B, 2-E, 13-D, 13-E, & 13-F FROM ILLUSTRATION
2.

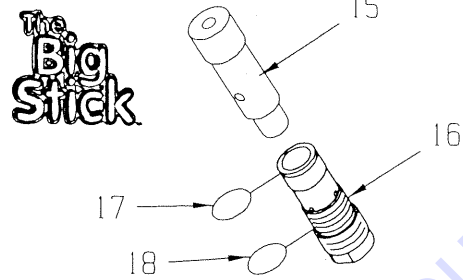
ILLUSTRATION #2

ITEM #2 27001 VALVE BODY ASSEMBLY



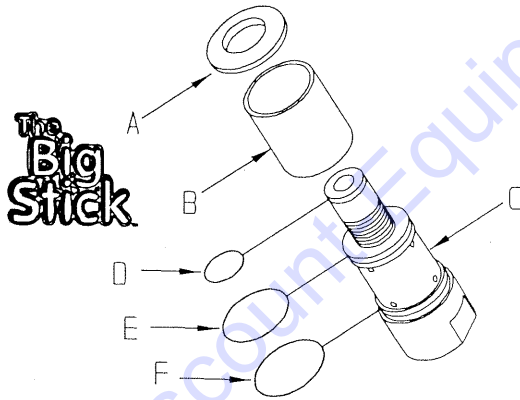
ITEM	PART #	DESCRIPTION	QTY.
2 - A	27002	Valve Body	1
2 - B	27038	O - Ring, #112, 3/32 x 1/2" ID	1
2 - C	27003	Valve Stem	1
2 - D	C10542	Spring, Valve Stem	1
2 - E	27039	O - Ring, 2 x 18mm	1
2 - F	27004	Valve Stem Retainer	1
2 - G	C10585	Spring, Double Torsion	1
2 - H	27027	Lever, Air Valve 6-1/2"	1
2 - I	11556	Rivet, 1/8 x 1-1/2 Oval Head	1
2 - J	11557	Washer, Rivet 1/8"ID x 3/8" OD	2
2 - K	C10569	Grip, Flat Red .125 x .75 x 1.5L	1
2 - L	27020	O - Ring, 2 x 30mm	1

ITEM #14 27028 PISTON & CYLINDER ASSEMBLY



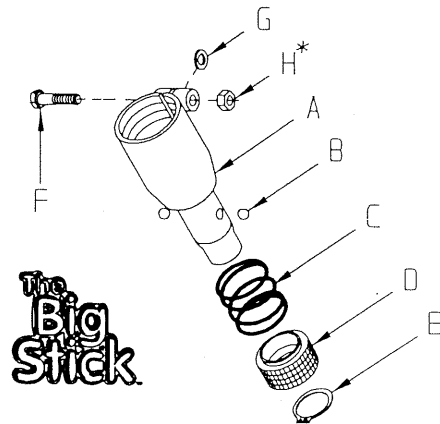
ITEM	PART #	DESCRIPTION	QTY.
15	27013	Piston (Hammer)	1
16	27012	Cylinder	1
17	27021	O - Ring 2 x 52mm	1
18	27022	O - Ring 2 x 55mm	1

ITEM #13 27008 CYLINDER HOUSING ASSEMBLY



ITEM	PART #	DESCRIPTION	QTY.
13 - A	27011	Cylinder Housing Cap	1
13 - B	27010	Cylinder Housing Sleeve	1
13 - C	27009	Cylinder Housing Main Body	1
13 - D	27020	O - Ring 2 x 30mm	1
13 - E	27023	O - Ring 2 x 65mm	1
13 - F	27024	O - Ring 2 x 67mm	1

ITEM #19 27014 CHISEL HOLDER ASSEMBLY



ITEM	PART #	DESCRIPTION	QTY.
19 - A	27015	Chuck Body	1
19 - B	27017	Ball, Chrome 3/8"	2
19 - C	27018	Spring, Comp. 1.906" OD x 1.41" FL	1
19 - D	27016	Collar, Knurled, Ball Locking	1
19 - E	27019	Retaining Ring, Ext. 1-1/2"	1
19 - F	27029	Screw, Cap 3/8-16 x 1 3/4	1
19 - G	10025	Washer, Flat 3/8	1
19 - H*	10810	Nut, Lock 3/8-16	1

* NOTE: Item H is used as a Jam Nut to prevent the Cap Screw (F) from loosening during operation

PARTS FINDER

**Search Website
by Part Number**



**Search Manual
Library For Parts
Manual & Lookup Part
Numbers – Purchase
or Request Quote**

Search Manuals

Enter your information to help us find the right parts manual for your equipment.

* Brand:

* Model:

* Serial:

* Part Number:

SEARCH

**Can't Find Part or
Manual? Request Help
by Manufacturer,
Model & Description**

Parts Order Form

Please fill in the following information to help us find the right parts for your equipment.

Manufacturer:	<input type="text"/>
Model:	<input type="text"/>
Description:	<input type="text"/>
Part Number:	<input type="text"/>
Quantity:	<input type="text"/>
Notes:	<input type="text"/>

Submit

Discount-Equipment.com is your online resource for quality parts & equipment.

Florida: **561-964-4949** Outside Florida TOLL FREE: **877-690-3101**

Need parts?

Click on this link: <http://www.discount-equipment.com/category/5443-parts/> and choose one of the options to help get the right parts and equipment you are looking for. Please have the machine model and serial number available in order to help us get you the correct parts. If you don't find the part on the website or on one of the online manuals, please fill out the request form and one of our experienced staff members will get back to you with a quote for the right part that your machine needs.

We sell worldwide for the brands: Genie, Terex, JLG, MultiQuip, Mikasa, Essick, Whiteman, Mayco, Toro Stone, Diamond Products, Generac Magnum, Airman, Haulotte, Barreto, Power Blanket, Nifty Lift, Atlas Copco, Chicago Pneumatic, Allmand, Miller Curber, Skyjack, Lull, Skytrak, Tsurumi, Husquvarna Target, Stow, Wacker, Sakai, Mi-T-M, Sullair, Basic, Dynapac, MBW, Weber, Bartell, Bennar Newman, Haulotte, Ditch Runner, Menegotti, Morrison, Contec, Buddy, Crown, Edco, Wyco, Bomag, Laymor, EZ Trench, Bil-Jax, F.S. Curtis, Gehl Pavers, Heli, Honda, ICS/PowerGrit, IHI, Partner, Imer, Clipper, MMD, Koshin, Rice, CH&E, General Equipment, Amida, Coleman, NAC, Gradall, Square Shooter, Kent, Stanley, Tamco, Toku, Hatz, Kohler, Robin, Wisconsin, Northrock, Oztec, Toker TK, Rol-Air, APT, Wylie, Ingersoll Rand / Doosan, Innovatech, Con X, Ammann, Mecalac, Makinex, Smith Surface Prep, Small Line, Wanco, Yanmar