



**PARTS LIST MANUAL**

**MODEL ALR-BS**

**CHISEL SCALER**



**The  
Big  
Stick™**

PART # 27100 - ERGONOMIC MODEL (SHOWN)

PART # 27200 - STRAIGHT MODEL



A Division of Equipment Development Company, Inc.

# PARTS FINDER

**Search Website  
by Part Number**



**Search Manual  
Library For Parts  
Manual & Lookup Part  
Numbers – Purchase  
or Request Quote**

**Search Manuals**

Enter your information to help us find the right parts manual for your machine.

\* Brand:

\* Model:

\* Serial:

\* Part Number:

SEARCH

**Can't Find Part or  
Manual? Request Help  
by Manufacturer,  
Model & Description**

**Parts Order Form**

Please fill in the following information to help us find the right part for your machine.

MANUFACTURER:

MODEL:

DESCRIPTION:

SEARCH

Discount-Equipment.com is your online resource for quality parts & equipment.

Florida: **561-964-4949** Outside Florida TOLL FREE: **877-690-3101**

**Need parts?**

Click on this link: <http://www.discount-equipment.com/category/5443-parts/> and choose one of the options to help get the right parts and equipment you are looking for. Please have the machine model and serial number available in order to help us get you the correct parts. If you don't find the part on the website or on one of the online manuals, please fill out the request form and one of our experienced staff members will get back to you with a quote for the right part that your machine needs.

We sell worldwide for the brands: Genie, Terex, JLG, MultiQuip, Mikasa, Essick, Whiteman, Mayco, Toro Stone, Diamond Products, Generac Magnum, Airman, Haulotte, Barreto, Power Blanket, Nifty Lift, Atlas Copco, Chicago Pneumatic, Allmand, Miller Curber, Skyjack, Lull, Skytrak, Tsurumi, Husquvarna Target, Stow, Wacker, Sakai, Mi-T-M, Sullair, Basic, Dynapac, MBW, Weber, Bartell, Bennar Newman, Haulotte, Ditch Runner, Menegotti, Morrison, Contec, Buddy, Crown, Edco, Wyco, Bomag, Laymor, EZ Trench, Bil-Jax, F.S. Curtis, Gehl Pavers, Heli, Honda, ICS/PowerGrit, IHI, Partner, Imer, Clipper, MMD, Koshin, Rice, CH&E, General Equipment, Amida, Coleman, NAC, Gradall, Square Shooter, Kent, Stanley, Tamco, Toku, Hatz, Kohler, Robin, Wisconsin, Northrock, Oztec, Toker TK, Rol-Air, APT, Wylie, Ingersoll Rand / Doosan, Innovatech, Con X, Ammann, Mecalac, Makinex, Smith Surface Prep, Small Line, Wanco, Yanmar

**READ AND UNDERSTAND THE OPERATOR'S INSTRUCTION MANUAL *THOROUGHLY* BEFORE ATTEMPTING TO OPERATE THIS EQUIPMENT.**



**Death or serious injury could occur if this equipment is used improperly.**



**SAFETY MESSAGES**

- Safety Instructions are preceded by a graphic alert symbol of DANGER, WARNING, or CAUTION.



Indicates an imminent hazard which, if not avoided, will result in death or serious injury.



Indicates an imminent hazard which, if not avoided, can result in death or serious injury.



Indicates hazards which, if not avoided, could result in serious injury and or damage to the equipment.

**AIR POWERED EQUIPMENT**



- When operating this equipment, the operator must wear approved job related safety attire. Eye and hearing protection must be worn at all times while equipment is in use as sound levels exceed 85 dBA. Steel toe safety shoes should be worn. Head protection is required if work is performed overhead. Wear proper dust mask based on material being removed.
- Use the correct size air hose for the tool, 1/2" diameter (minimum). Hose and fittings must be rated for safe handling in excess of 100 PSI pressure. The working pressure of this tool is 80-90 PSI and should never be allowed to exceed 100 PSI.
- ALR-E Limit the hose length to 30 feet (10 meters) maximum. Note: The pressure drop of 1/2" diameter hose is approximately 1 PSI per 90 linear feet.
- ALR-BS Limit the hose length to 30 feet (10 meters) maximum. Note: The pressure drop of 3/8" diameter hose is approximately 3 PSI per 90 linear feet.
- A filter/water separator must be provided on the air source to afford an adequate supply of clean, dry air to this tool. A lubricator should also be used. If a lubricator is unavailable, lubricate the tool daily by putting 6 to 7 drops of lightweight machine oil in the hose connector opening prior to connecting the air supply. In cold weather, use graphite oil for lubrication.



• Disconnect the air supply before removing or installing a chisel or accessory. Squeeze the hand lever to release all compressed air from the tool. Use only genuine EDCO chisels and accessories with this equipment. Failure to do so may result in serious bodily injury or death.

- Replace any damaged parts immediately. Use only genuine EDCO parts.

**AIR POWERED EQUIPMENT CONTINUED**

- To install or remove chisel: Disconnect the air supply. Squeeze the hand lever to release all compressed air. Pull back in the spring loaded locking collar and hold while removing the chisel. Hold back on the spring loaded lock-in collar while firmly seating the new chisel in the holder. Release collar to retain the chisel.
- The appropriate accessory must be used for the job at hand. Do **NOT** force the tool into the work. The hammering action of the tool will perform the work for you. **NEVER USE THE TOOL AS A PRY BAR.** Damage to the equipment will result. If the tool does not seem to perform the work to your specifications, try another accessory or Contact Discount-equipment.

- To activate tool, attach the air source firmly grip the tool and then squeeze the hand lever on the air valve.



- After releasing the air valve hand lever, the tool will continue to operate for up to 15 seconds. This is a normal result of stored up pressure in the tool casing being released gradually. **Be sure to firmly grip the tool until ALL air leaves the chamber.**

- Remove the air source from the tool when not in use.



- This equipment will create dust from the material being removed. That dust may contain a chemical known to the state of California to cause cancer and/or birth defects or other reproductive harm. Check the chemical properties of the materials to be removed.



- It is the operator's responsibility to keep other people (workers, pedestrians, bystanders, etc.) away during operation. Block off the work area in all directions with roping, safety netting, etc. for a safe distance. Failure to do so may result in others being injured by flying debris or exposing them to harmful dust and noise.

**DUST WARNING**

Some dust created by power sanding, sawing, grinding, drilling, and other construction activities contains chemicals known to cause cancer, birth defects, or other reproductive harm. Some examples of these chemicals are:

- Lead from lead-based paints, and
- Crystalline silica from bricks, concrete and other masonry products.

Your risk of exposure to these chemicals varies depending on how often you do this type of work. To reduce your risk: work in a well ventilated area, use a dust control system, such as an industrial-style vacuum, and wear approved personal safety equipment, such as a dust/particle respirator designed to filter out microscopic particles.



PARTS LIST MANUAL  
MODEL ALR-BS  
CHISEL SCALER

TABLE OF CONTENTS

<u>Section</u>	<u>Page Number</u>
Safety Messages & General Instructions .....	2
How To Order Replacement Parts .....	3
Illustration 1: Big Stick Assemblies .....	4, 5
Illustration 2: Big Stick Sub-Assemblies .....	6, 7
Limited Equipment Warranty of Sale - Terms & Conditions .....	8 (Back Page)

Go to Discount-Equipment.com to order your parts

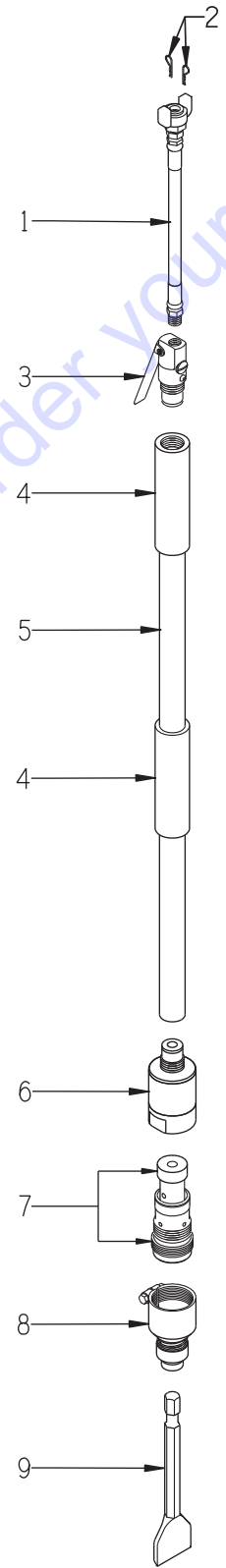
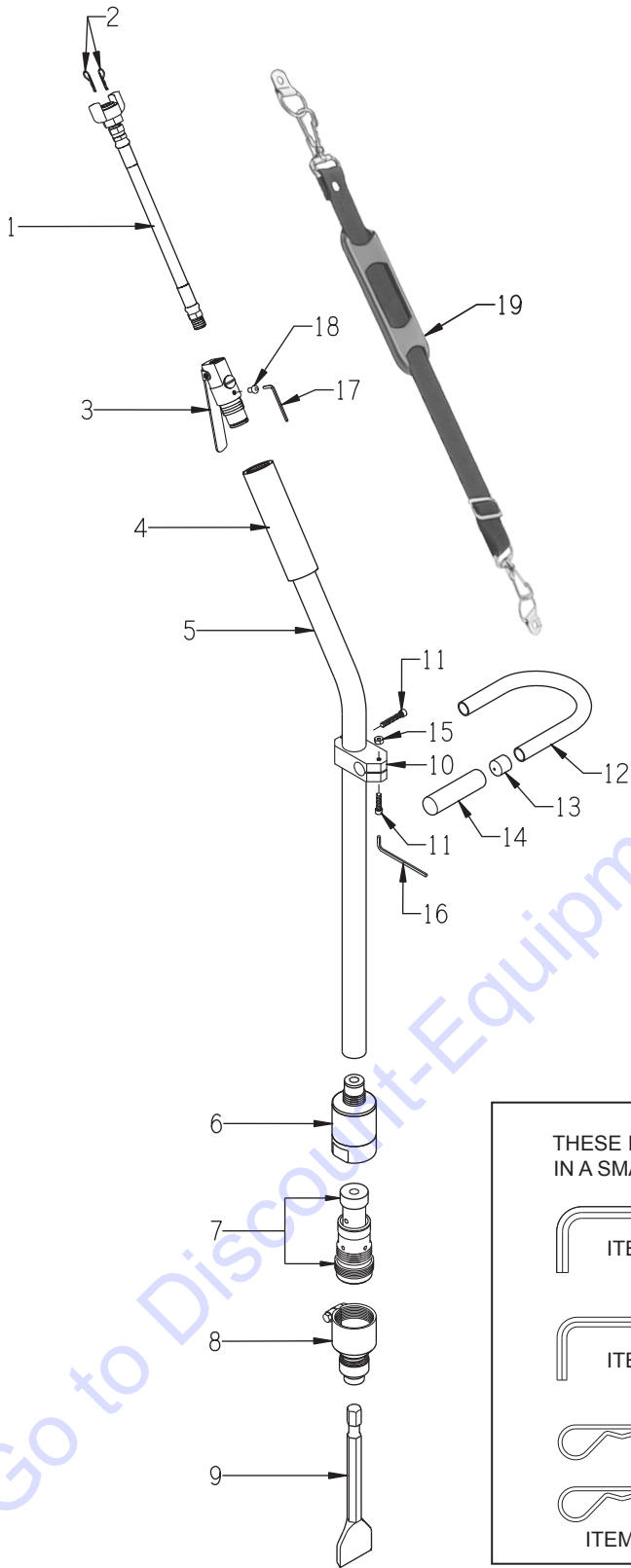


A Division of Equipment Development Company, Inc.

**ILLUSTRATION 1: BIG STICK ASSEMBLIES**

ERGONOMIC MODEL

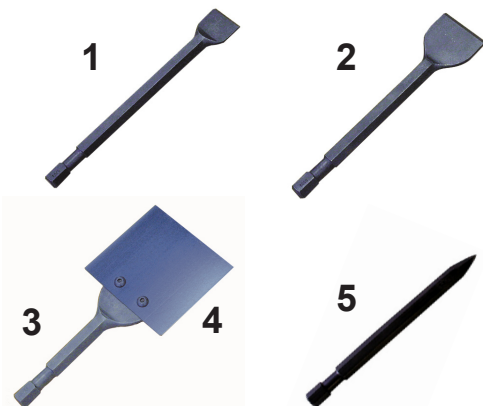
STRAIGHT MODEL



<b>PARTS LISTING - ILLUSTRATION 1: BIG STICK ASSEMBLIES</b>			
ITEM #	PART #	DESCRIPTION	QTY.
1	27025	HOSE ASSEMBLY 12", WHIP, ALR-BS	1
2	61066	PIN, HAIR COTTER, .080" X 1-9/16" OAL	2
3	27001	VALVE BODY ASSEMBLY, ALR-BS	1
4	27026	GRIP, FOAM 1-1/2" ID X 8" L, ALR-BS	1 OR 2
5	27005	CASING, STRAIGHT STEEL 44-1/2"	1
	27006	CASING, STEEL, ERGONOMIC, ALR-BS	1
6	27008	CYLINDER HOUSING ASSEMBLY, ALR-BS	1
7	27028	PISTON & CYLINDER ASSEMBLY, ALR-BS	1
8	27014	CHISEL HOLDER ASSY., 7/8" HEX SHANK	1
9	27033	BS-3 CHISEL, 3" SINGLE BEVEL	1
10	27007	CLAMP, HANDLE, ALR-BS	1
11	10856	SCREW, SKT. HD. CAP 1/4-20 X 1-1/2	2
12	C10588	HANDLE, U-SHAPED, ERGONOMIC ALR/BS	1
13	C10598	CAP, BLACK VINYL 1" ID X 1" H	1
14	61067	GRIP, FOAM 7/8" ID X 5" L	1
15	10015	NUT, HEX LOCK 1/4-20 ZINC	1
16	66045	WRENCH, HEX L-KEY 3/16", LONG-ARM	1
17	11564	WRENCH, HEX KEY 5/32 IN.	1
18	11578	SCREW, SKT. BUTTON HD. 1/4-20 X 1/2	1
19	24040	STRAP, SHOULDER, ALR/BS	1

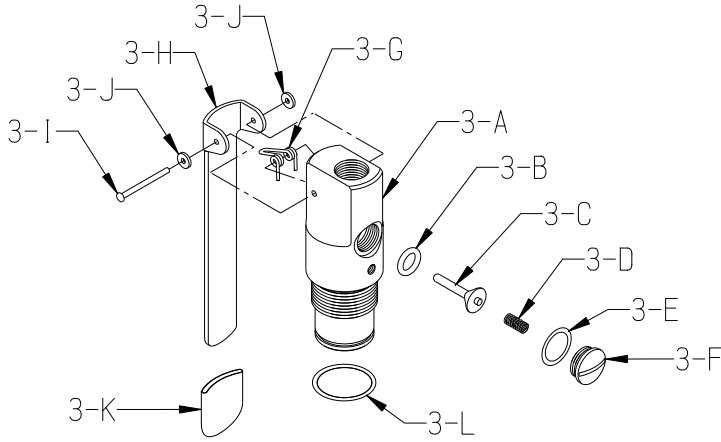
<b>BIG STICK CHISEL SCALER ACCESSORIES (SHOWN BELOW)</b>			
ITEM #	PART #	DESCRIPTION	QTY.
1	27031	BS-2 CHISEL, 2" SINGLE BEVEL	1
2	27033	BS-3 CHISEL, 3" SINGLE BEVEL	1
3	27034	BS-3M BLADE ADAPTER (LESS BLADE)	1
4	27035	BS-6S SCRAPER BLADES 6"	5 PACK
5	27037	BS-MPT CHIPPING POINT	1

<b>O-RING KIT - PART # 27030 (INCLUDES ALL O-RINGS)</b>		
PART #	O-RING SIZE	QTY.
27020	2 X 30MM	2
27021	2 X 52MM	1
27022	2 X 55MM	1
27023	2 X 65MM	1
27024	2 X 67MM	1
27038	#205, 7/16 X 11/16 VITON	1
27039	2 X 18MM	1

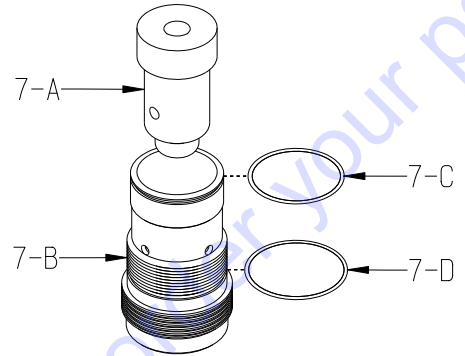


**ILLUSTRATION 2: BIG STICK SUB-ASSEMBLIES**

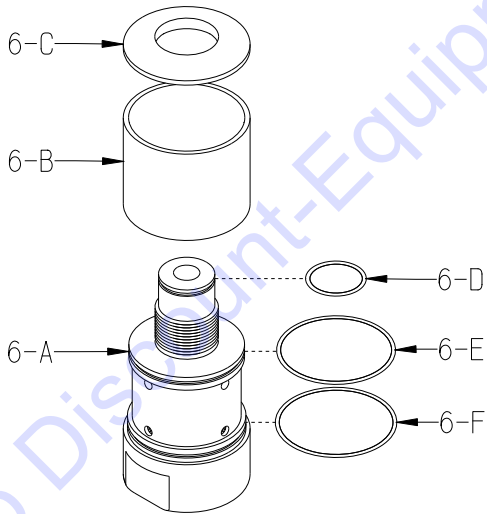
**ITEM # 3 PART # 27001  
VALVE BODY ASSEMBLY**



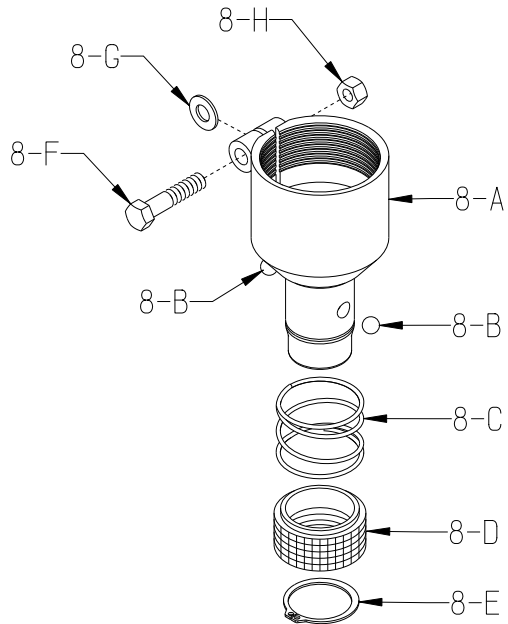
**ITEM # 7 PART # 27028  
PISTON & CYLINDER ASSEMBLY**



**ITEM # 6 PART # 27008  
CYLINDER HOUSING ASSEMBLY**



**ITEM # 8 PART # 27014  
CHISEL HOLDER ASSEMBLY**



<b>PARTS LISTING - ILLUSTRATION 2: BIG STICK SUB-ASSEMBLIES</b>			
<b>ITEM #</b>	<b>PART #</b>	<b>DESCRIPTION</b>	<b>QTY.</b>
3	27001	VALVE BODY ASSEMBLY, ALR-BS	1
3-A	27002	VALVE BODY, ALR-BS	1
3-B	27038	O-RING #205, 7/16 X11/16 VITON	1
3-C	27003	VALVE STEM, ALR-BS	1
3-D	C10607	SPRING, VALVE STEM, ALR-BS	1
3-E	27039	O-RING 2X 18MM	1
3-F	27004	RETAINER, VALVE STEM, ALR-BS	1
3-G	C10585	SPRING, DOUBLE TORSION	1
3-H	27027	LEVER, AIR VALVE 6-1/2"	1
3-I	11556	RIVET, SEMI-TUBULAR OVAL HEAD 1/8 X 1-1/2	1
3-J	11557	WASHER, RIVET 1/8 X 3/8 X 1/16THK	2
3-K	C10569	GRIP, FLAT RED .125 X .75 X 1.5"L	1
3-L	27020	O-RING 2 X 30MM	1
6	27008	CYLINDER HOUSING ASSEMBLY, ALR-BS	1
6-A	27009	CYLINDER HOUSING MAIN BODY, ALR-BS	1
6-B	27010	CYLINDER HOUSING SLEEVE, ALR-BS	1
6-C	27011	CYLINDER HOUSING CAP, ALR-BS	1
6-D	27020	O-RING 2 X 30MM	1
6-E	27023	O-RING 2 X 65MM	1
6-F	27024	O-RING 2 X 67MM	1
7	27028	PISTON & CYLINDER ASSEMBLY, ALR-BS	1
7-A	27013	PISTON (HAMMER), ALR-BS	1
7-B	27012	CYLINDER, ALR-BS	1
7-C	27021	O-RING 2 X 52MM	1
7-D	27022	O-RING 2 X 55MM	1
8	27014	CHISEL HOLDER ASSY., 7/8"HEX SHANK	1
8-A	27015	CHUCK BODY, ALR-BS	1
8-B	27017	BALL, CHROME 3/8	2
8-C	27018	SPRING, COMP. 1.906"OD X 1.41"FL	1
8-D	27016	COLLAR, KNURLED, BALL LOCKING	1
8-E	27019	RETAINING RING, EXT. 1-1/2"	1
8-F	27029	SCREW, CAP 3/8-16 X 1-3/4, ALR-BS	1
8-G	10025	WASHER, FLAT 3/8 SAE ZINC	1
8-H	10810	NUT, HEX LOCK 3/8-16 ZINC	1



# PARTS FINDER

**Search Website  
by Part Number**



**Search Manual  
Library For Parts  
Manual & Lookup Part  
Numbers – Purchase  
or Request Quote**

**Search Manuals**

Enter your information to help us find the right parts manual for your machine.

\* Brand:

\* Model:

\* Serial:

\* Part Number:

SEARCH

**Can't Find Part or  
Manual? Request Help  
by Manufacturer,  
Model & Description**

**Parts Order Form**

Please fill in the following information to help us find the right part for your machine.

Manufacturer:	<input type="text"/>
Model:	<input type="text"/>
Description:	<input type="text"/>
Part Number:	<input type="text"/>
Quantity:	<input type="text"/>
Notes:	<input type="text"/>

Submit

Discount-Equipment.com is your online resource for quality parts & equipment.

Florida: **561-964-4949** Outside Florida TOLL FREE: **877-690-3101**

**Need parts?**

Click on this link: <http://www.discount-equipment.com/category/5443-parts/> and choose one of the options to help get the right parts and equipment you are looking for. Please have the machine model and serial number available in order to help us get you the correct parts. If you don't find the part on the website or on one of the online manuals, please fill out the request form and one of our experienced staff members will get back to you with a quote for the right part that your machine needs.

We sell worldwide for the brands: Genie, Terex, JLG, MultiQuip, Mikasa, Essick, Whiteman, Mayco, Toro Stone, Diamond Products, Generac Magnum, Airman, Haulotte, Barreto, Power Blanket, Nifty Lift, Atlas Copco, Chicago Pneumatic, Allmand, Miller Curber, Skyjack, Lull, Skytrak, Tsurumi, Husquvarna Target, Stow, Wacker, Sakai, Mi-T-M, Sullair, Basic, Dynapac, MBW, Weber, Bartell, Bennar Newman, Haulotte, Ditch Runner, Menegotti, Morrison, Contec, Buddy, Crown, Edco, Wyco, Bomag, Laymor, EZ Trench, Bil-Jax, F.S. Curtis, Gehl Pavers, Heli, Honda, ICS/PowerGrit, IHI, Partner, Imer, Clipper, MMD, Koshin, Rice, CH&E, General Equipment, Amida, Coleman, NAC, Gradall, Square Shooter, Kent, Stanley, Tamco, Toku, Hatz, Kohler, Robin, Wisconsin, Northrock, Oztec, Toker TK, Rol-Air, APT, Wylie, Ingersoll Rand / Doosan, Innovatech, Con X, Ammann, Mecalac, Makinex, Smith Surface Prep, Small Line, Wanco, Yanmar