



REVISED STARTING
SERIAL # 130110096

PARTS LIST MANUAL

MODEL TMS-10



SHOWN WITH
OPTIONAL FOLDING STAND
PART NO. 24150

10" ELECTRIC TILE SAWS

SKU #	MODEL #	POWER OPTION
24200	TMS10-1.5L	LEESON ELECTRIC MOTOR 1.5HP 60Hz 1-PHASE
24200-50	TMS10-1.5L/50	LEESON ELECTRIC MOTOR 1.5HP 50Hz 1-PHASE



A Division of Equipment Development Company, Inc.

PARTS FINDER

**Search Website
by Part Number**



**Search Manual
Library For Parts
Manual & Lookup Part
Numbers – Purchase
or Request Quote**

Search Manuals

Enter your information to help us find the right parts manual for your machine.

* Brand:

* Model:

* Serial:

* Part Number:

SEARCH

**Can't Find Part or
Manual? Request Help
by Manufacturer,
Model & Description**

Parts Order Form

Please fill in the following information to help us find the right part for your machine.

Manufacturer:	<input type="text"/>
Model:	<input type="text"/>
Description:	<input type="text"/>
Part Number:	<input type="text"/>
Quantity:	<input type="text"/>
Notes:	<input type="text"/>

Submit

Discount-Equipment.com is your online resource for quality parts & equipment.

Florida: **561-964-4949** Outside Florida TOLL FREE: **877-690-3101**

Need parts?

Click on this link: <http://www.discount-equipment.com/category/5443-parts/> and choose one of the options to help get the right parts and equipment you are looking for. Please have the machine model and serial number available in order to help us get you the correct parts. If you don't find the part on the website or on one of the online manuals, please fill out the request form and one of our experienced staff members will get back to you with a quote for the right part that your machine needs.

We sell worldwide for the brands: Genie, Terex, JLG, MultiQuip, Mikasa, Essick, Whiteman, Mayco, Toro Stone, Diamond Products, Generac Magnum, Airman, Haulotte, Barreto, Power Blanket, Nifty Lift, Atlas Copco, Chicago Pneumatic, Allmand, Miller Curber, Skyjack, Lull, Skytrak, Tsurumi, Husquvarna Target, Stow, Wacker, Sakai, Mi-T-M, Sullair, Basic, Dynapac, MBW, Weber, Bartell, Bennar Newman, Haulotte, Ditch Runner, Menegotti, Morrison, Contec, Buddy, Crown, Edco, Wyco, Bomag, Laymor, EZ Trench, Bil-Jax, F.S. Curtis, Gehl Pavers, Heli, Honda, ICS/PowerGrit, IHI, Partner, Imer, Clipper, MMD, Koshin, Rice, CH&E, General Equipment, Amida, Coleman, NAC, Gradall, Square Shooter, Kent, Stanley, Tamco, Toku, Hatz, Kohler, Robin, Wisconsin, Northrock, Oztec, Toker TK, Rol-Air, APT, Wylie, Ingersoll Rand / Doosan, Innovatech, Con X, Ammann, Mecalac, Makinex, Smith Surface Prep, Small Line, Wanco, Yanmar

READ AND UNDERSTAND THE OPERATORS INSTRUCTION MANUAL *THOROUGHLY* BEFORE ATTEMPTING TO OPERATE THIS EQUIPMENT.



Death or serious injury could occur if this machine is used improperly.



SAFETY MESSAGES

- Safety Instructions are preceded by a graphic alert symbol of DANGER, WARNING, or CAUTION.

DANGER

Indicates an imminent hazard which, if not avoided, will result in death or serious injury.

WARNING

Indicates an imminent hazard which, if not avoided, can result in death or serious injury.

CAUTION

Indicates hazards which, if not avoided, could result in serious injury and or damage to the equipment.

GASOLINE/PROPANE POWERED EQUIPMENT

WARNING

- Engine exhaust from this product contains chemicals known to the State of California to cause cancer, birth defects or other reproductive harm.



Gasoline is extremely flammable and poisonous. It should only be dispensed in well ventilated areas, and with a cool engine.

- Small gasoline engines produce high concentrations of carbon monoxide (CO) example: a 5 HP 4 cycle engine operation in an enclosed 100,000 cu. ft. area with only one change of air per hour is capable of providing deadly concentrations of CO in less than fifteen minutes. Five changes of air in the same area will produce noxious fumes in less than 30 minutes. Gasoline or propane powered equipment should not be used in enclosed or partially enclosed areas. Symptoms of CO poisoning include, headache, nausea, weakness, dizziness, visual problems and loss of consciousness. If symptoms occur - get into fresh air and seek medical attention immediately.

ELECTRICAL POWERED EQUIPMENT



Extreme care must be taken when operating electric models with water present: Ensure power cord is properly grounded, is attached to a Ground-Fault-Interrupter (GFI) outlet, and is undamaged.

- Check all electrical cables - be sure connections are tight and cable is continuous and in good condition. Be sure cable is correctly rated for both the operating current and voltage of this equipment.
- Improper connection of the equipment-grounding conductor can result in a risk of electric shock. Check with qualified electrician or service person if there is any doubt as to whether the outlet is properly grounded. Adhere to **all** local codes and ordinances.
- **NOTE:** In the event of a malfunction or breakdown, grounding provides a path of least resistance for the electric current to dissipate. The motor is equipped with a grounded plug and must be connected to an outlet that is properly installed and properly grounded. **DO NOT** modify the plug provided on the motor. If the plug does not fit the outlet have a qualified electrician install the proper receptacle.
- Switch motor OFF **before** disconnecting power.

- Do not disconnect power by pulling cord. To disconnect, grasp the plug, not the cord.
- Unplug power cord at the machine when not in use and before servicing.

GENERAL INSTRUCTIONS

- Equipment should only be operated by trained personnel in good physical condition and mental health (not fatigued). The operator and maintenance personnel must be physically able to handle the bulk weight and power of this equipment.
- This is a one person tool. Maintain a safe operating distance to other personnel. It is the **operators' responsibility** to keep other people (workers, pedestrians, bystanders, etc.) away during operation. Block off the work area in all directions with roping, safety netting, etc. for a safe distance. Failure to do so may result in others being injured by flying debris or exposing them to harmful dust and noise.
- This equipment is intended for commercial use only.
- For the operator's safety and the safety of others, always keep all guards in place during operation.
- Never let equipment run unattended.



- Personal Protection Equipment and proper safety attire must be worn when operating this machinery. The operator must wear approved safety equipment appropriate for the job such as hard hat and safety shoes when conditions require. Hearing protection **MUST** be used (operational noise levels of this equipment may exceed 85 dBA). Eye protection **MUST** be worn at all times.



Keep body parts and loose clothing away from moving parts. Failure to do so could result in dismemberment or death.

- Do not modify the machine.
- Stop motor/engine when adjusting or servicing this equipment.



Maintain a safe operating distance from flammable materials. Sparks from the cutting-action of this machine can ignite flammable materials or vapors.

DUST WARNING

WARNING

Some dust created by power sanding, sawing, grinding, drilling, and other construction activities contains chemicals known to cause cancer, birth defects, or other reproductive harm. Some examples of these chemicals are:

- Lead from lead-based paints, and
 - Crystalline silica from bricks and concrete and other masonry products.
- Your risk of exposure to these chemicals varies depending on how often you do this type of work. To reduce your risk: work in a well ventilated area, use a dust control system, such as an industrial-style vacuum, and wear approved personal safety equipment, such as a dust/particle respirator designed to filter out microscopic particles.

PARTS LIST MANUAL

MODEL TMS-10

10" ELECTRIC TILE SAW

TABLE OF CONTENTS

<u>Section</u>	<u>Pages</u>
Safety Messages and General Instructions	2
How To Order Replacement Parts	3
Illustration 1: Main Grouping	4, 5
Illustration 2: Rolling Table Assembly	6, 7
Illustration 3: Blade Guard & Water Pump Grouping	8, 9
Illustration 4: Arbor Assembly	10
Illustration 5: Motor & Belt Drive Grouping	11
Decal Sheet	12
Decals Continued	13
Wiring Diagram for 60 Hertz Motor	14
Wiring Diagram for 50 Hertz Motor	15
Limited Equipment Warranty of Sale - Terms & Conditions	16 (Back Page)



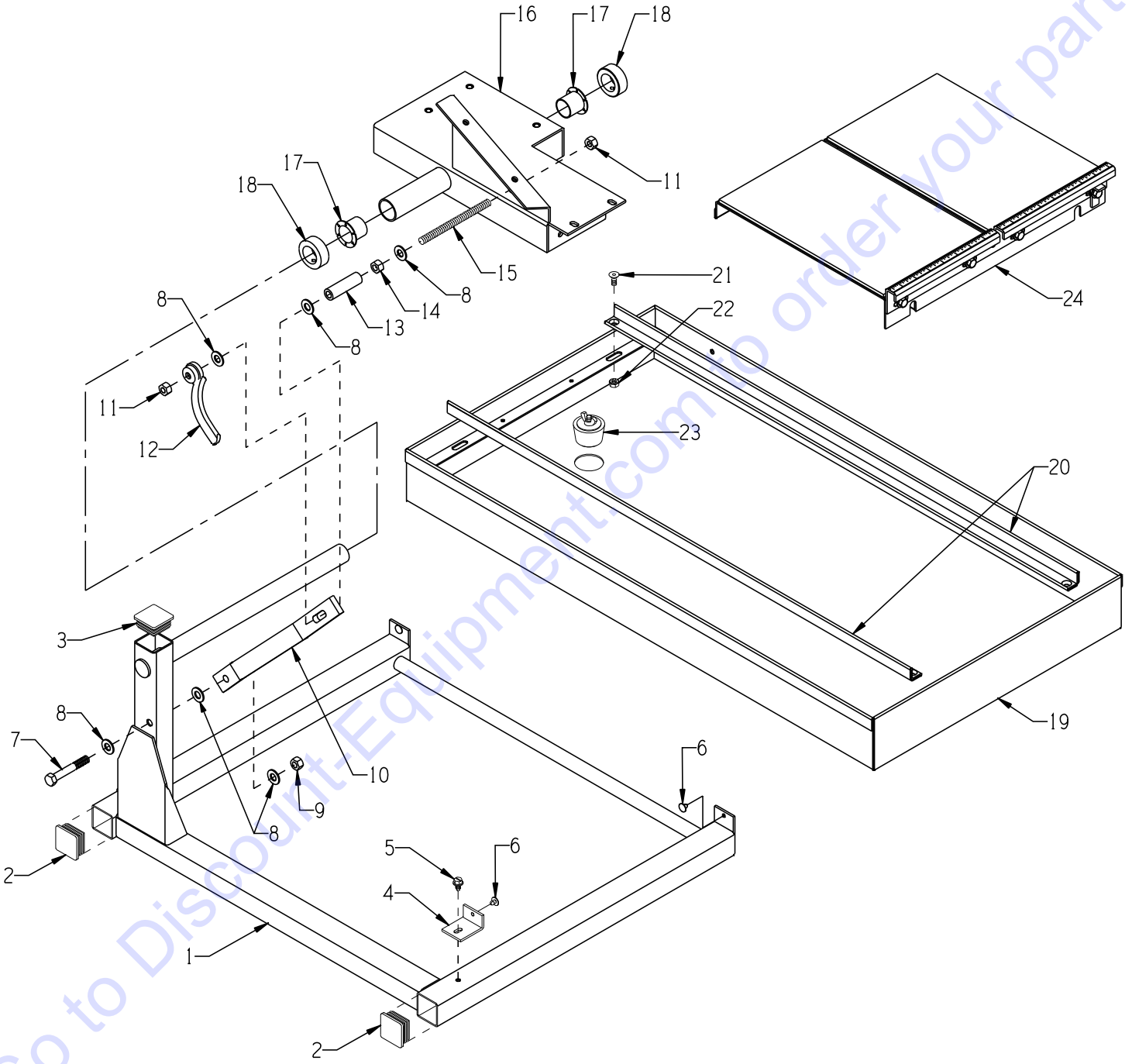
A Division of Equipment Development Company, Inc.

Printed in USA

JWA ©2013

Page 3

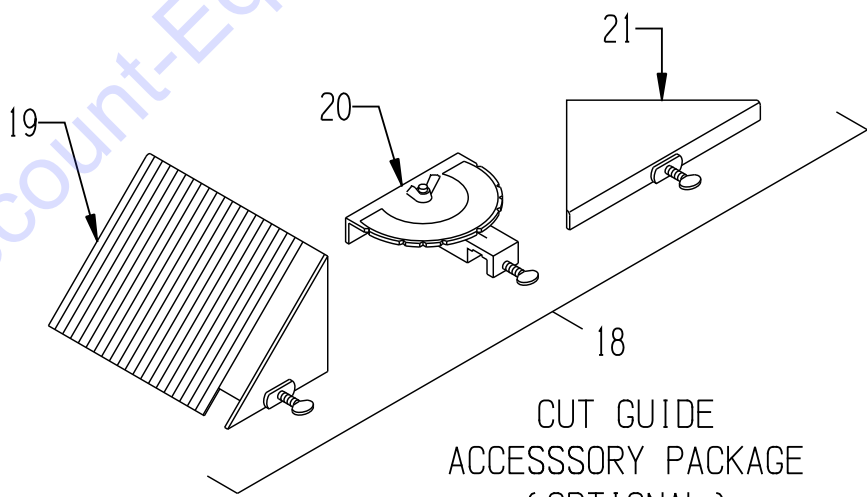
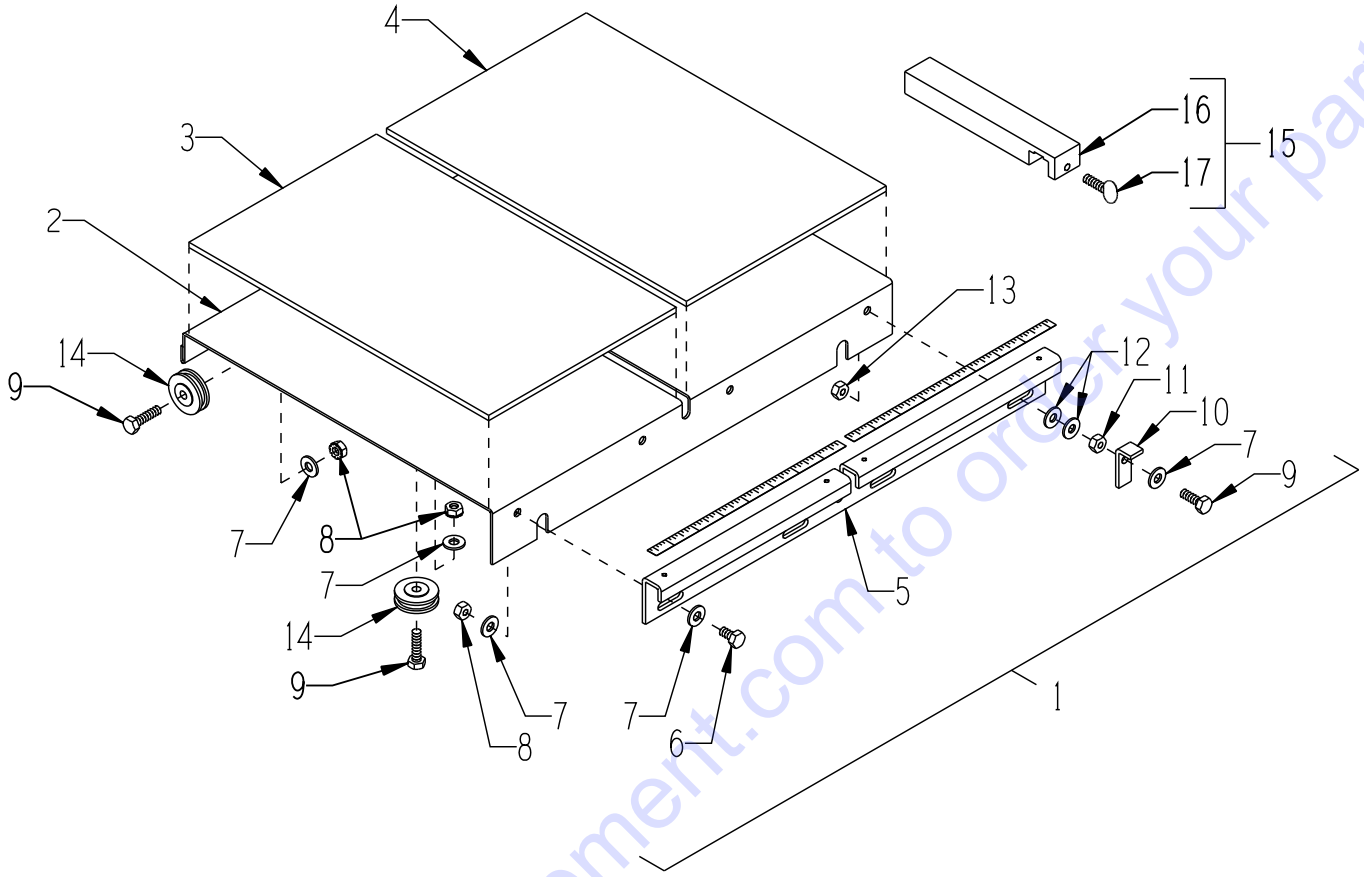
ILLUSTRATION 1: MAIN GROUPING



PARTS LISTING - ILLUSTRATION 1 : MAIN GROUPING			
ITEM #	PART #	DESCRIPTION	QTY.
1	42107	BASE & POST FRAME WELDMENT, TMS-10	1
2	42123	PLUG, SQ. TUBE 1-1/2 X 14 GA., BLK.	2
3	42148	PLUG, SQ. TUBE 1-1/2 X 11 GA., BLK	1
4	42126	BRACKET, NYLON RIVET, TMS-10	2
5	10846	SCREW, CAP STSHW 1/4-20 X 1/2	2
6	42127	RIVET, NYLON PUSH-IN PANEL	2
7	10393	SCREW, CAP 3/8-24 X 2-1/2	1
8	10025	WASHER, FLAT 3/8 SAE ZINC (* SHIM AS REQUIRED TO ALIGN DECK PROPERLY)	6*
9	10004	NUT, HEX LOCK 3/8-24 ZINC	1
10	42162	LOCKING BAR, ARBOR HEIGHT, TMS-10	1
11	10156	NUT, HEX NYLON LOCK 3/8-16 ZINC	2
12	40044	NUT, TAIL HANDLE 3/8-16	1
13	42163	SPACER, ARBOR HEIGHT LOCKING BAR 5/8"OD x 3/8"ID x 2-1/8"L	1
14	10404	NUT, HEX 3/8-16 ZINC	1
15	42164	ROD, ALLTHREAD 3/8-16 X 5, TMS-10	1
16	42108N	DECK, MOTOR & ARBOR, TMS-10	1
17	41123	BEARING, SLEEVE 1"ID NYLON FLANGED	2
18	10427	COLLAR, LOCKING 1"ID	2
19	42101	PAN, TMS-10	1
20	42102B	TRACK RAIL 33-3/4"L, GMS/TMS-10	2
21	11540	SCREW, FLAT HD SLT 1/4-20 X 5/8	4
22	10861	NUT, KEPS LOCK 1/4-20 ZINC	4
23	40378	STOPPER ASSEMBLY 1-1/2"	1
24	42170	TABLE COMPLETE, ROLLING, TMS-10 (REFER TO ILLUS. 2 FOR BREAKDOWN)	1



ILLUSTRATION 2: ROLLING TABLE ASSEMBLY

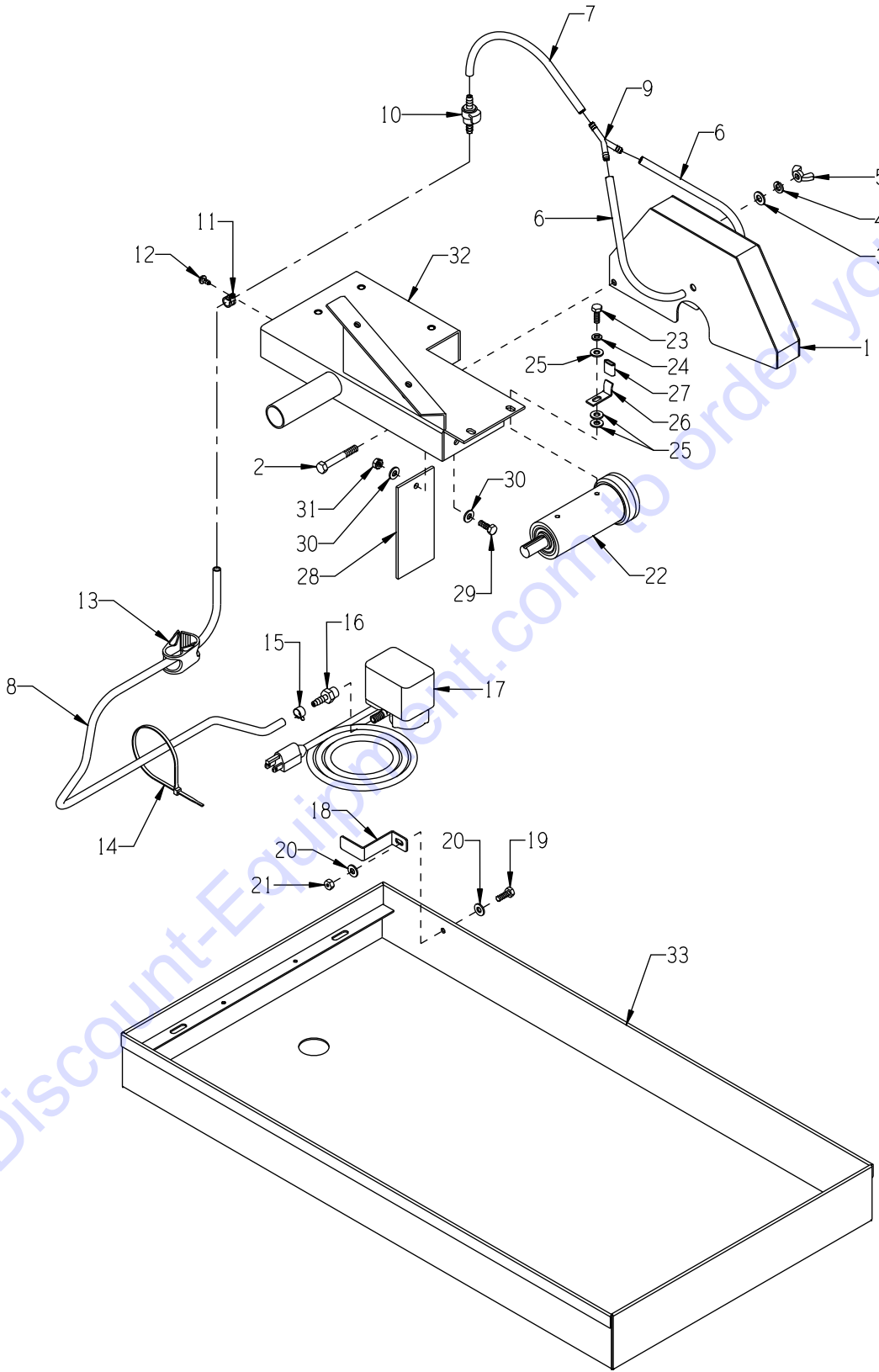


CUT GUIDE
ACCESSORY PACKAGE
(OPTIONAL)

PARTS LISTING - ILLUSTRATION 2 : ROLLING TABLE ASSEMBLY			
ITEM #	PART #	DESCRIPTION	QTY.
1	42170	TABLE COMPLETE, ROLLING, TMS-10 (INCLUDES ITEMS 2 THRU 16 + RULER DECALS)	1
2	42171	TABLE, ROLLING, TMS-10	1
3	42222	RUBBER PAD 12 X 7-1/2 X 3/16	1
4	42221	RUBBER PAD 12 X 8 X 3/16	1
5	42172	TABLE FRONT PANEL, ROLLING, TMS-10 (NO RULER DECALS)	1
6	10018	SCREW, CAP 1/4-20 X 3/4	3
7	10602	WASHER, FLAT 1/4 SAE ZINC	13
8	10861	NUT, KEPS LOCK 1/4-20 ZINC	9
9	10031	SCREW, CAP 1/4-20 X 1	7
10	42106	LATCH, ROLLING TABLE	1
11	10013	NUT, HEX 1/4-20 ZINC	1
12	11704	WASHER, FLAT .257 X .624 X .060THK	2
13	10015	NUT, HEX LOCK 1/4-20 ZINC	1
14	14082	PULLEY BEARING 1-1/4DIA. X 1/4BORE	6
15	42160	GUIDE ASSY., STRAIGHT CUT, TMS-10 (INCLUDES ITEMS 16 & 17)	1
16	42132	GUIDE ONLY, STRAIGHT CUT, TMS-10	1
17	42133	SCREW, THUMB, SPADE HD 1/4-20 X 3/4	1
18	42149	ACCESSORY PACKAGE, TMS-10 (INCLUDES ITEMS 19, 20 & 21)	1
19	42155	GUIDE ASSY., 45 DEG. MITER, TMS-10	1
20	42150	GUIDE ASSY., ADJ. PROTRACTOR, TMS10	1
21	42153	GUIDE ASSY., DUAL 45D ANGLE, TMS-10	1



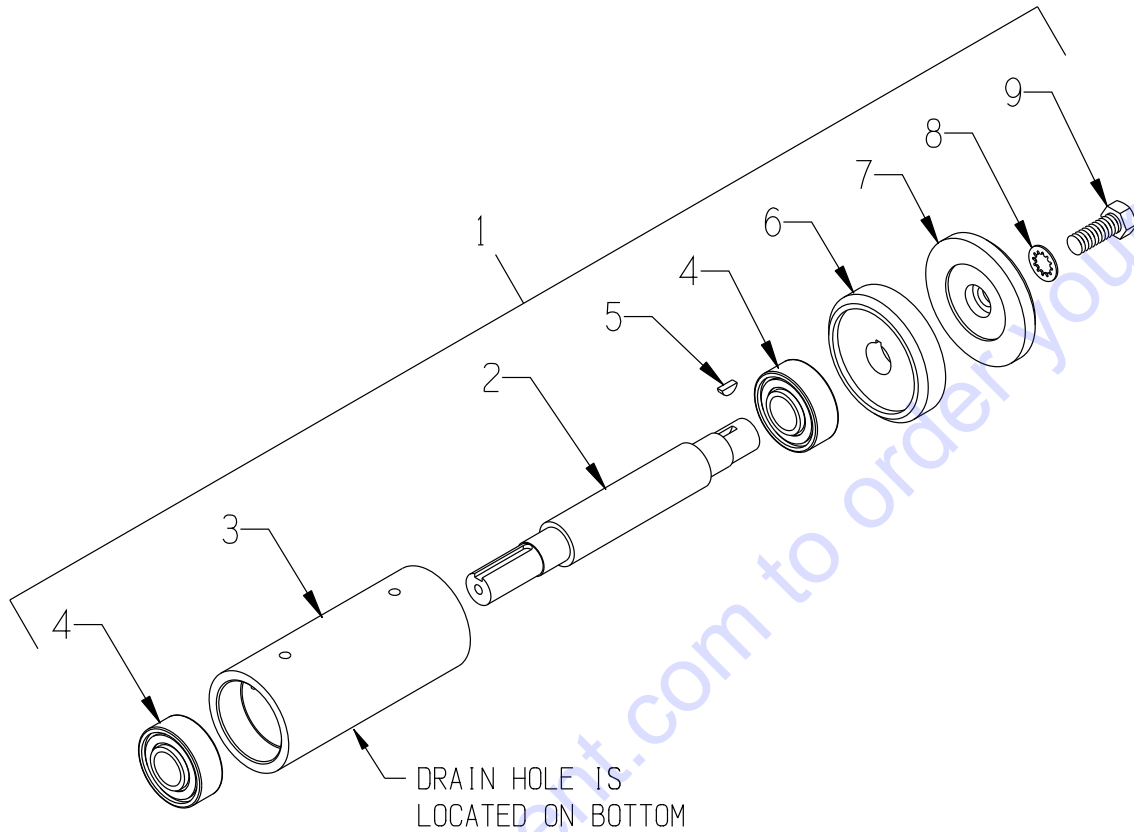
ILLUSTRATION 3: BLADE GUARD & WATER PUMP GROUPING



PARTS LISTING - ILLUSTRATION 3 : BLADE GUARD & WATER PUMP GROUPING			
ITEM #	PART #	DESCRIPTION	QTY.
1	42113	GUARD, BLADE 10"	1
2	10341	SCREW, CAP 5/16-18 X 2-1/4	1
3	10213	WASHER, FLAT 5/16 SAE ZINC	1
4	10801	WASHER, LOCK 5/16 ZINC	1
5	10902	NUT, WING 5/16-18	1
6	42141	HOSE 1/4"ID X 8"L	2
7	42142	HOSE 1/4"ID X 12"L, TMS-10	1
8	42143	HOSE 1/4"ID X 36"L, TMS-10	1
9	99323	BARBED FITTING, "Y" 1/4"HOSE	1
10	42134	COUPLING, QUICK-DISCONNECT 1/4"	1
11	11690	CLAMP, LOOM, 3/8"	1
12	10877	SCREW, CAP STSHW 10-24 X 1/2	1
13	42131	CLAMP, TUBE, FLOW CONTROL 3/4"	1
14	10982	TIE, CABLE, BLACK NYLON 11-1/4"	4
15	10762	CLAMP, HOSE, SPRING-BAND 3/8" GREEN	1
16	42165	ADAPTER, FEMALE 1/8FNPT X 1/4"HOSE	1
17	42130	PUMP, WATER, TILE SAW	1
18	42166	RETAINER, WATER PUMP, TMS-10	1
19	10018	SCREW, CAP 1/4-20 X 3/4	1
20	10602	WASHER, FLAT 1/4 SAE ZINC	2
21	10861	NUT, KEPS LOCK 1/4-20 ZINC	1
22	42114T	ARBOR ASSY. COMPLETE, TMS-10 (REFER TO ILLUS. 4 FOR BREAKDOWN)	1
23	10018	SCREW, CAP 1/4-20 X 3/4	4
24	10038	WASHER, LOCK 1/4 ZINC	4
25	10602	WASHER, FLAT 1/4 SAE ZINC	6
26	42128	BRACKET, BLADE GUARD RETAINER	1
27	42144	COVER, VIBRATION	1
28	42161	FLAP, SPLASH 2-1/2 X 5-1/4	1
29	10018	SCREW, CAP 1/4-20 X 3/4	1
30	10602	WASHER, FLAT 1/4 SAE ZINC	2
31	10861	NUT, KEPS LOCK 1/4-20 ZINC	1
32	42108N	DECK, MOTOR & ARBOR, TMS-10 (REFER TO ILLUS. 1, ITEM 16)	1
33	42101	PAN, TMS-10 (REFER TO ILLUS. 1, ITEM 21)	1

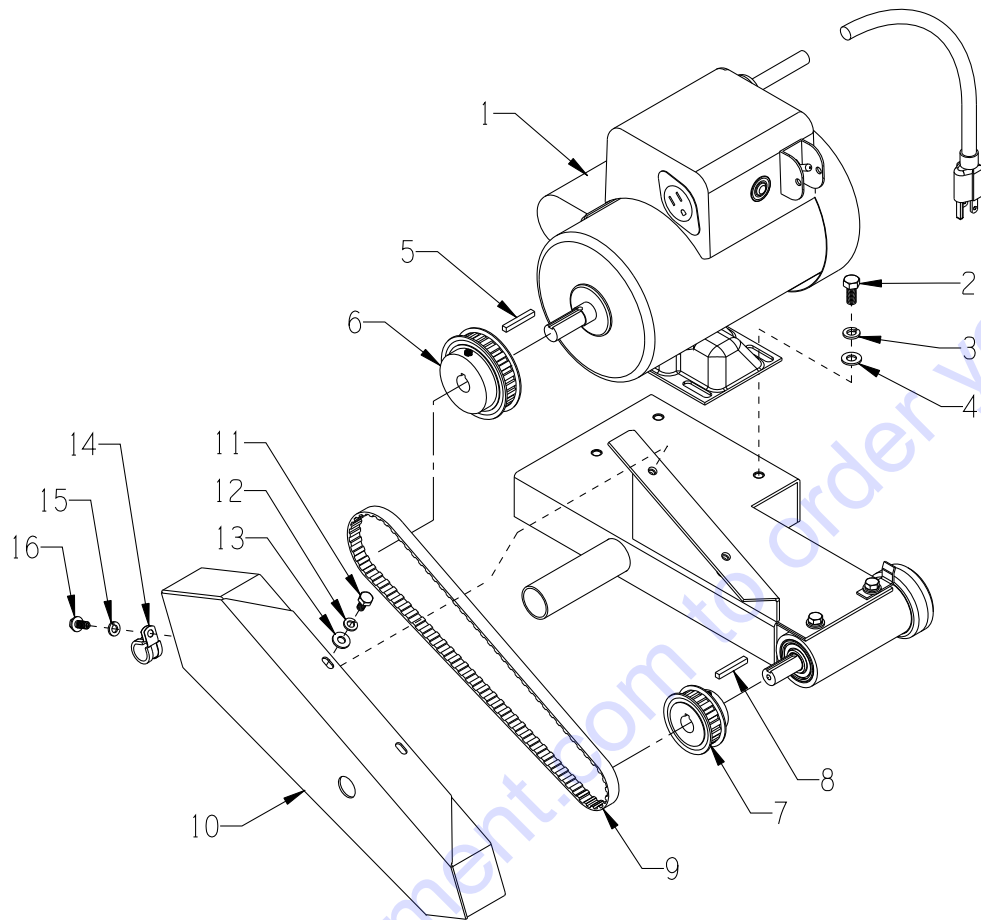


ILLUSTRATION 4: ARBOR ASSEMBLY



ITEM #	PART #	DESCRIPTION	QTY.
1	42114T	ARBOR ASSY. COMPLETE, TMS-10 (INCLUDES ITEMS 2 THRU 9)	1
2	42115	ARBOR SHAFT 6-3/4" L	1
3	42116	ARBOR HOUSING	1
4	42119	BEARING, RADIAL BALL 17mm X 40mm X .563in	2
5	40036	KEY, WOODRUFF 1/8 X 3/8 (#403)	1
6	42117	ARBOR BACKING PLATE 2-1/2"	1
7	42118	ARBOR BLADE CAP 2-1/2"	1
8	10453	WASHER, LOCK, INT. TOOTH 3/8"	1
9	10021	SCREW, CAP 3/8-24 X 1	1

ILLUSTRATION 5: MOTOR & BELT DRIVE GROUPING



ITEM #	PART #	DESCRIPTION	QTY.
1	16036	MOTOR, LEESON 1.5HP-1P 60HZ 1650RPM	1
	16063	MOTOR, LEESON 1.5HP-1P 50HZ 1375RPM	1
2	10053	SCREW, CAP 5/16-18 X 3/4	4
3	10213	WASHER, FLAT 5/16 SAE ZINC	4
4	10801	WASHER, LOCK 5/16 ZINC	4
5	-----	KEY 3/16SQ. X 1-3/8 (INCLUDED W/ MOTOR)	1
6	42120	PULLEY, TIMING, 24L050 X 5/8"BORE	1
7	42121	PULLEY, TIMING, 17L050 X 5/8"BORE	1
8	10060	KEY 3/16SQ X 1-1/4	1
9	42124	BELT, TIMING 300L050	1
10	42112	COVER, BELT, TMS-10	1
11	10834	SCREW, CAP 1/4-20 X 1/2 ZINC	2
12	10038	WASHER, LOCK 1/4 ZINC	3
13	10602	WASHER, FLAT 1/4 SAE ZINC	2
14	11565	CLAMP, LOOM, 5/8" (SAE SIZE 10)	1
15	10038	WASHER, LOCK 1/4 ZINC	1
16	10846	SCREW, CAP STSHW 1/4-20 X 1/2	1

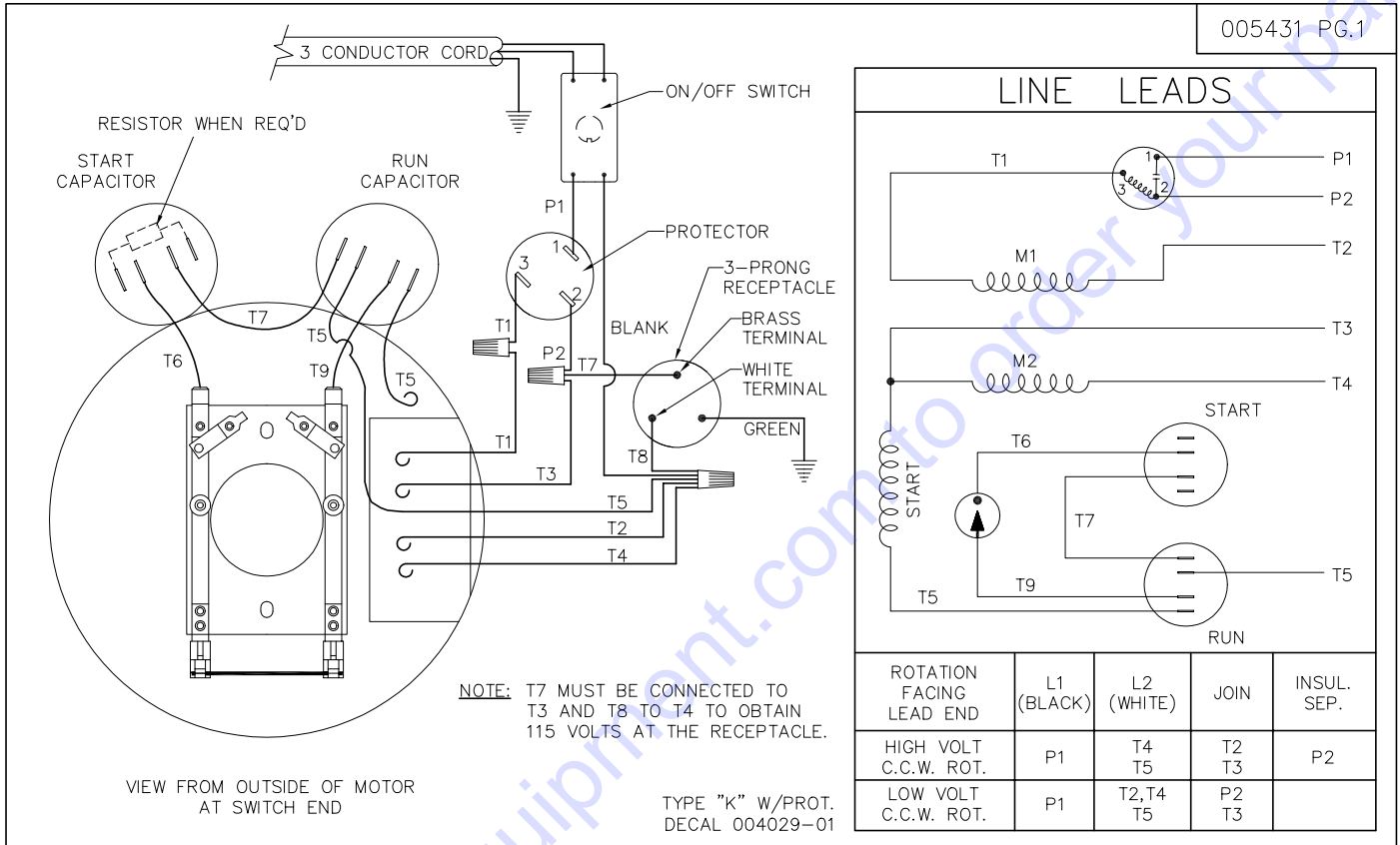


A Division of Equipment Development Company, Inc.

WIRING DIAGRAM FOR 60 HERTZ MOTOR

LEESON CAT. NO. 102413
1.5HP 60Hz 1-PHASE

005431 PG.1

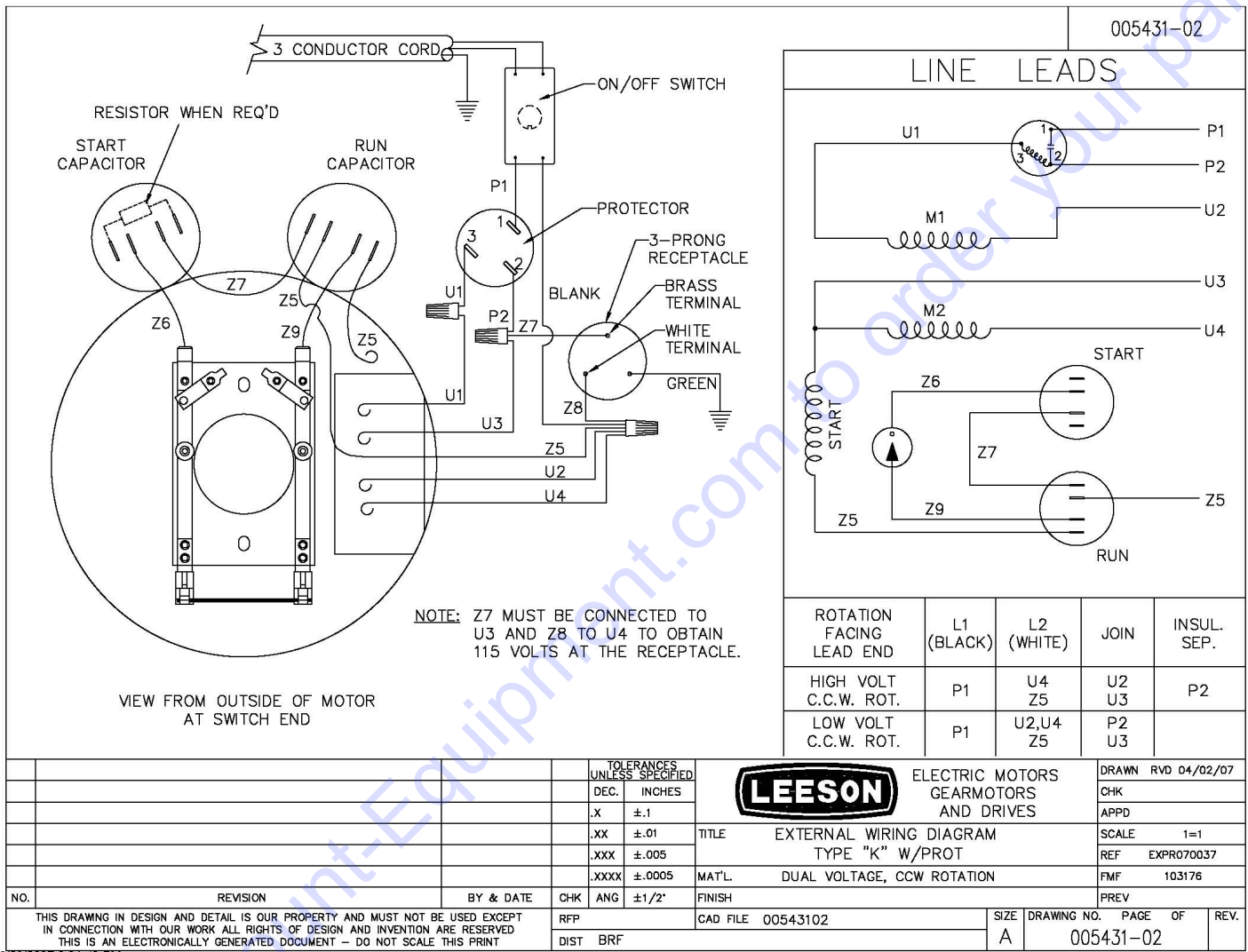


				TOLERANCES UNLESS OTHERWISE SPECIFIED		LEESON ELECTRIC CORPORATION					
				DECIMALS		TITLE					
				.00	± .01	DRAWN	DWF 8/31/98	EXTERNAL WIRING DIAGRAM			
				.000	± .005	CH'K'D.		TYPE "K" W/PROT.			
				.0000	± .0005	APPR.		MAT'L.			
NO.	REVISION	BY	DATE	FRACTIONS	± 1/64	SCALE	1=2	DUAL VOLTAGE			
				ANGLES	± 1/2°	REF.	005037.02	FINISH	EDCO	SIZE	DRAWING NO.
				INCH/MM		FMF	102413.00		A	005431 PG.1	
THIS DRAWING IN DESIGN AND DETAIL IS OUR PROPERTY AND MUST NOT BE USED EXCEPT IN CONNECTION WITH OUR WORK ALL RIGHTS OF DESIGN AND INVENTION ARE RESERVED											

REPLACEMENT PARTS	
PART #	DESCRIPTION
16139	SWITCH, TOGGLE DPST (ON/OFF)
16153	RESET BUTTON, LEESON 300002.02 CEJ53CA
16174	CAPACITOR, RUN, LEESON 003014.02, 50MFD 240V
16181	CAPACITOR, START, LEESON 003024.01, 374 MFD 115V

WIRING DIAGRAM FOR 50 HERTZ MOTOR

LEESON CAT. NO. 103176
1.5HP 50Hz 1-PHASE



REPLACEMENT PARTS	
PART #	DESCRIPTION
16139	SWITCH, TOGGLE DPST (ON/OFF)
16545	RESET BUTTON, LEESON 300067.02 CEJ51CA
16174	CAPACITOR, RUN, LEESON 003014.02, 50MFD 240V
16181	CAPACITOR, START, LEESON 003024.01, 374 MFD 115V

PARTS FINDER

**Search Website
by Part Number**



**Search Manual
Library For Parts
Manual & Lookup Part
Numbers – Purchase
or Request Quote**

Search Manuals

Enter your information to help us find the right parts manual for your machine.

* Brand:

* Model:

* Serial:

* Part Number:

SEARCH

**Can't Find Part or
Manual? Request Help
by Manufacturer,
Model & Description**

Parts Order Form

Please fill in the following information to help us find the right part for your machine.

Manufacturer:	<input type="text"/>
Model:	<input type="text"/>
Description:	<input type="text"/>
Part Number:	<input type="text"/>
Quantity:	<input type="text"/>
Notes:	<input type="text"/>

Submit

Discount-Equipment.com is your online resource for quality parts & equipment.

Florida: **561-964-4949** Outside Florida TOLL FREE: **877-690-3101**

Need parts?

Click on this link: <http://www.discount-equipment.com/category/5443-parts/> and choose one of the options to help get the right parts and equipment you are looking for. Please have the machine model and serial number available in order to help us get you the correct parts. If you don't find the part on the website or on one of the online manuals, please fill out the request form and one of our experienced staff members will get back to you with a quote for the right part that your machine needs.

We sell worldwide for the brands: Genie, Terex, JLG, MultiQuip, Mikasa, Essick, Whiteman, Mayco, Toro Stone, Diamond Products, Generac Magnum, Airman, Haulotte, Barreto, Power Blanket, Nifty Lift, Atlas Copco, Chicago Pneumatic, Allmand, Miller Curber, Skyjack, Lull, Skytrak, Tsurumi, Husquvarna Target, Stow, Wacker, Sakai, Mi-T-M, Sullair, Basic, Dynapac, MBW, Weber, Bartell, Bennar Newman, Haulotte, Ditch Runner, Menegotti, Morrison, Contec, Buddy, Crown, Edco, Wyco, Bomag, Laymor, EZ Trench, Bil-Jax, F.S. Curtis, Gehl Pavers, Heli, Honda, ICS/PowerGrit, IHI, Partner, Imer, Clipper, MMD, Koshin, Rice, CH&E, General Equipment, Amida, Coleman, NAC, Gradall, Square Shooter, Kent, Stanley, Tamco, Toku, Hatz, Kohler, Robin, Wisconsin, Northrock, Oztec, Toker TK, Rol-Air, APT, Wylie, Ingersoll Rand / Doosan, Innovatech, Con X, Ammann, Mecalac, Makinex, Smith Surface Prep, Small Line, Wanco, Yanmar