



REVISED STARTING
SERIAL # 15101251

PARTS LIST MANUAL MODEL KL14



14" DOWNCUT - CONCRETE AND ASPHALT WALK BEHIND SAW

SKU #	MODEL #	POWER OPTION
39100	KL14-7H	SUBARU GASOLINE ENGINE MODEL SP210



A Division of Equipment Development Company, Inc.

PARTS FINDER

**Search Website
by Part Number**



**Search Manual
Library For Parts
Manual & Lookup Part
Numbers – Purchase
or Request Quote**

Search Manuals

Enter your information to help us find the right parts manual for your machine.

* Brand:

* Model:

* Serial:

* Part Number:

SEARCH

**Can't Find Part or
Manual? Request Help
by Manufacturer,
Model & Description**

Parts Order Form

Please fill in the following information to help us find the right part for your machine.

Manufacturer:	<input type="text"/>
Model:	<input type="text"/>
Description:	<input type="text"/>
Part Number:	<input type="text"/>
Quantity:	<input type="text"/>
Notes:	<input type="text"/>

Submit

Discount-Equipment.com is your online resource for quality parts & equipment.

Florida: **561-964-4949** Outside Florida TOLL FREE: **877-690-3101**

Need parts?

Click on this link: <http://www.discount-equipment.com/category/5443-parts/> and choose one of the options to help get the right parts and equipment you are looking for. Please have the machine model and serial number available in order to help us get you the correct parts. If you don't find the part on the website or on one of the online manuals, please fill out the request form and one of our experienced staff members will get back to you with a quote for the right part that your machine needs.

We sell worldwide for the brands: Genie, Terex, JLG, MultiQuip, Mikasa, Essick, Whiteman, Mayco, Toro Stone, Diamond Products, Generac Magnum, Airman, Haulotte, Barreto, Power Blanket, Nifty Lift, Atlas Copco, Chicago Pneumatic, Allmand, Miller Curber, Skyjack, Lull, Skytrak, Tsurumi, Husquvarna Target, Stow, Wacker, Sakai, Mi-T-M, Sullair, Basic, Dynapac, MBW, Weber, Bartell, Bennar Newman, Haulotte, Ditch Runner, Menegotti, Morrison, Contec, Buddy, Crown, Edco, Wyco, Bomag, Laymor, EZ Trench, Bil-Jax, F.S. Curtis, Gehl Pavers, Heli, Honda, ICS/PowerGrit, IHI, Partner, Imer, Clipper, MMD, Koshin, Rice, CH&E, General Equipment, Amida, Coleman, NAC, Gradall, Square Shooter, Kent, Stanley, Tamco, Toku, Hatz, Kohler, Robin, Wisconsin, Northrock, Oztec, Toker TK, Rol-Air, APT, Wylie, Ingersoll Rand / Doosan, Innovatech, Con X, Ammann, Mecalac, Makinex, Smith Surface Prep, Small Line, Wanco, Yanmar

READ AND UNDERSTAND THE OPERATORS INSTRUCTION MANUAL THOROUGHLY BEFORE ATTEMPTING TO OPERATE THIS EQUIPMENT.



Death or serious injury could occur if this machine is used improperly.



SAFETY MESSAGES

- Safety Instructions are preceded by a graphic alert symbol of DANGER, WARNING, or CAUTION.



Indicates an imminent hazard which, if not avoided, will result in death or serious injury.



Indicates an imminent hazard which, if not avoided, can result in death or serious injury.



Indicates hazards which, if not avoided, could result in serious injury and or damage to the equipment.

GASOLINE/PROPANE POWERED EQUIPMENT



- Engine exhaust from this product contains chemicals known to the State of California to cause cancer, birth defects or other reproductive harm.



- Gasoline is extremely flammable and poisonous. It should only be dispensed in well ventilated areas, and with a cool engine.

- Small gasoline engines produce high concentrations of carbon monoxide (CO) example: a 5 HP 4 cycle engine operation in an enclosed 100,000 cu. ft. area with only one change of air per hour is capable of providing deadly concentrations of CO in less than fifteen minutes. Five changes of air in the same area will produce noxious fumes in less than 30 minutes. Gasoline or propane powered equipment should not be used in enclosed or partially enclosed areas. Symptoms of CO poisoning include, headache, nausea, weakness, dizziness, visual problems and loss of consciousness. If symptoms occur - get into fresh air and seek medical attention immediately.

ELECTRICAL POWERED EQUIPMENT



Extreme care must be taken when operating electric models with water present: Ensure power cord is properly grounded, is attached to a Ground-Fault-Interrupter (GFI) outlet, and is undamaged.

- Check all electrical cables - be sure connections are tight and cable is continuous and in good condition. Be sure cable is correctly rated for both the operating current and voltage of this equipment.
- Improper connection of the equipment-grounding conductor can result in a risk of electric shock. Check with qualified electrician or service person if there is any doubt as to whether the outlet is properly grounded. Adhere to all local codes and ordinances.
- **NOTE:** In the event of a malfunction or breakdown, grounding provides a path of least resistance for the electric current to dissipate. The motor is equipped with a grounded plug and must be connected to an outlet that is properly installed and properly grounded. DO NOT modify the plug provided on the motor. If the plug does not fit the outlet have a qualified electrician install the proper receptacle.
- Switch motor OFF before disconnecting power.

- Do not disconnect power by pulling cord. To disconnect, grasp the plug, not the cord.
- Unplug power cord at the machine when not in use and before servicing.

GENERAL INSTRUCTIONS

- Equipment should only be operated by trained personnel in good physical condition and mental health (not fatigued). The operator and maintenance personnel must be physically able to handle the bulk weight and power of this equipment.
- This is a one person tool. Maintain a safe operating distance to other personnel. It is the **operators' responsibility** to keep other people (workers, pedestrians, bystanders, etc.) away during operation. Block off the work area in all directions with roping, safety netting, etc. for a safe distance. Failure to do so may result in others being injured by flying debris or exposing them to harmful dust and noise.
- This equipment is intended for commercial use only.
- For the operator's safety and the safety of others, always keep all guards in place during operation.
- Never let equipment run unattended.



- Personal Protection Equipment and proper safety attire must be worn when operating this machinery. The operator must wear approved safety equipment appropriate for the job such as hard hat and safety shoes when conditions require. Hearing protection **MUST** be used (operational noise levels of this equipment may exceed 85db). Eye protection **MUST** be worn at all times.



Keep body parts and loose clothing away from moving parts. Failure to do so could result in dismemberment or death.

- Do not modify the machine.
 - Stop motor/engine when adjusting or servicing this equipment.
- Maintain a safe operating distance from flammable materials. Sparks from the cutting-action of this machine can ignite flammable materials or vapors.

DUST WARNING



Some dust created by power sanding, sawing, grinding, drilling, and other construction activities contains chemicals known to cause cancer, birth defects, or other reproductive harm. Some examples of these chemicals are:

- Lead from lead-based paints, and
- Crystalline silica from bricks and concrete and other masonry products.

Your risk of exposure to these chemicals varies depending on how often you do this type of work. To reduce your risk: work in a well ventilated area, use a dust control system, such as an industrial-style vacuum, and wear approved personal safety equipment, such as a dust/particle respirator designed to filter out microscopic particles.

PARTS LIST MANUAL

MODEL KL14

14" DOWNCUT - COMPACT WALK BEHIND SAW

TABLE OF CONTENTS

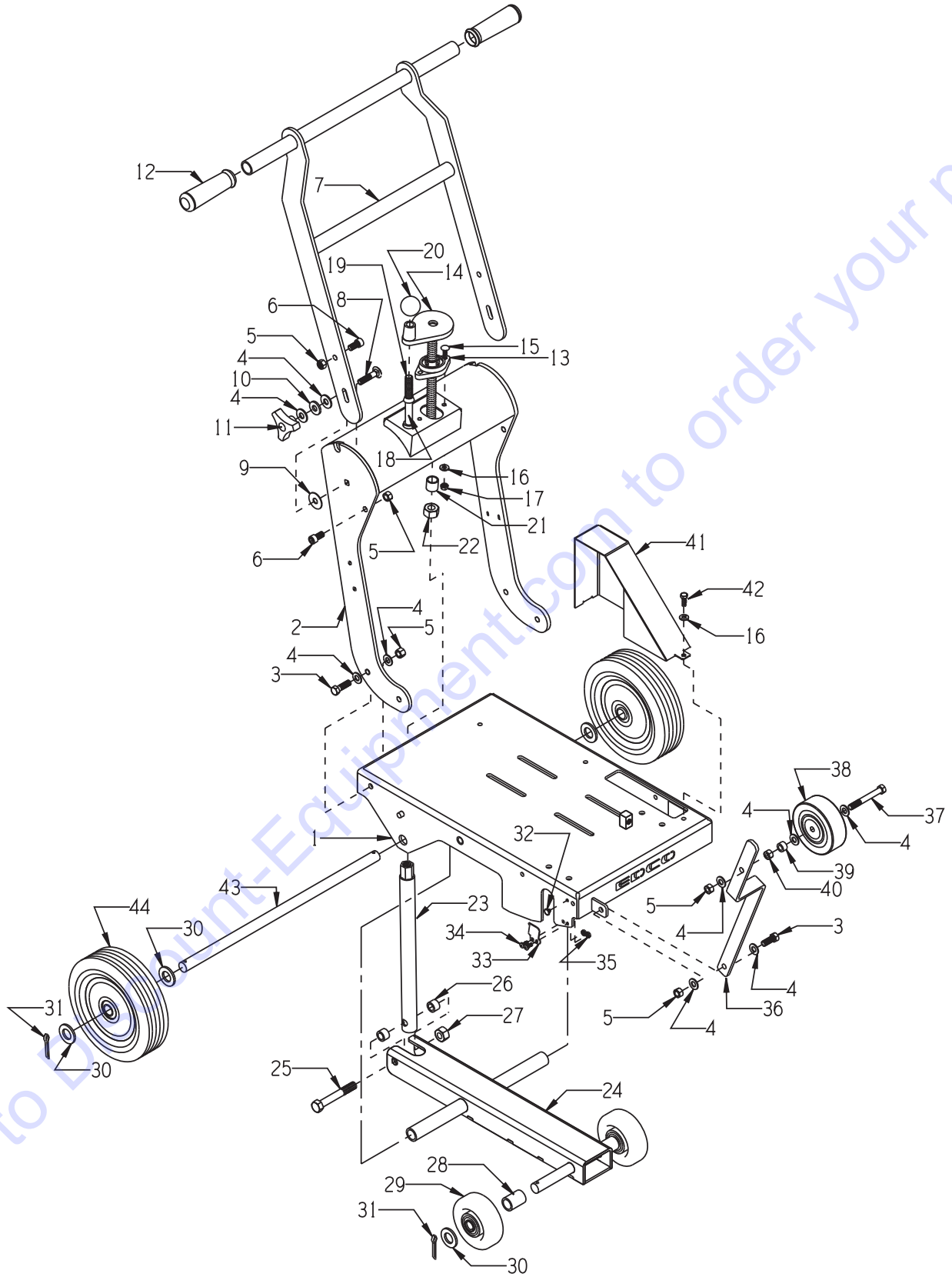
<u>Section</u>	<u>Page Number</u>
Safety Messages and General Instructions.....	2
How To Order Replacement Parts.....	3
Illustration 1: Main Grouping.....	4-5
Illustration 2: Arbor & Blade Guard Grouping.....	6-7
Illustration 3: Engine & Belt Drive Grouping.....	8-9
Illustration 4: Wiring Diagram.....	10
Decals.....	11
Warranty.....	12

Go to Discount-Equipment.com to order your parts



A Division of Equipment Development Company, Inc.

ILLUSTRATION 1: MAIN GROUPING



PARTS LISTING - ILLUSTRATION 1 : MAIN GROUPING

ITEM #	PART #	DESCRIPTION	QTY.
1	54001	MAIN FRAME	1
2	54002	LOWER HANDLE	1
3	10021	SCREW, CAP 3/8-24 X 1	2
4	10025	WASHER, FLAT 3/8 SAE ZINC	13
5	10152	NUT, HEX NYLON LOCK 3/8-24 ZINC	7
6	11851	SCREW, SKT. HD 3/8X24 X 3/4 S/S	4
7	54003	UPPER HANDLE	1
8	10087	BOLT, CARRIAGE 3/8-16 X 1-3/4	2
9	28133	WASHER, FLAT 13/32 X 1-1/4 X .047	2
10	42224	BUSHING, RUBBER 1" OD X 3/8" ID X 1/8	2
11	80011	KNOB, 3-PRONG W/ 3/8-16 THD.	2
12	10608	GRIP, HAND 1" MODEL AT	2
13	80009	BEARING, BALL 5/8" 2 HOLE (NO G.F.)	1
14	80008	HANDWHEEL, SMALL W/ 5/8-11 X 12 ROD	1
15	10412	BOLT, CARRIAGE 1/4-20 X 1" FULL THD.	2
16	10602	WASHER, FLAT 1/4 SAE ZINC	4
17	10861	NUT, KEPS LOCK 1/4-20 ZINC	2
18	50550	SLEEVE, BRASS 1/2" TAPERED	1
19	10411	SCREW, SKT HD. CAP 1/2-13 X 4" ZINC	1
20	14023	KNOB, BALL 1-3/8 W/ 1/2-13 THD BLK	1
21	55010	SPACER, HANDWHEEL 5/8"ID X 3/4"L	1
22	10046	NUT, HEX 5/8-11 ZINC	1
23	54005	LINKAGE, CUT-CONTROL, KL-14	1
24	54006	FORK, KL-14	1
25	10202	SCREW, CAP 1/2-20 X 3	1
26	54022	FORK LINKAGE SPACER	2
27	10205	NUT, HEX LOCK 1/2-20 ZINC	1
28	54023	FORK WHEEL SPACER 3/4 x 1-3/8	2
29	52001	WHEEL 4 X 1-1/2 X 3/4"BRG. ALUM/RUB	2
30	10009	WASHER, FLAT 3/4 SAE ZINC	6
31	10306	PIN, COTTER 3/16 X 1-1/2	4
32	42127	RIVET, NYLON PUSH-IN PANEL	2
33	54007	CLIP, BLADE GUARD RETAINING	2
34	10830	SCREW, MACHINE PPH 10-32 X 1/2	4
35	10832	NUT, KEPS LOCK 10-32 ZINC	4
36	54008	GUIDE BAR, KL-14	1
37	10885	SCREW, CAP 3/8-24 X 3	1
38	50024	WHEEL 4 X 1-3/8 X 3/8"BORE	1
39	10011	SPACER, STEEL 5/8OD X 3/8ID X 3/8T	1
40	10058	NUT, HEX LOCK 3/8-24 W/ NYLON PATCH	1
41	54009	BELT GUARD, KL-14	1
42	10018	SCREW, CAP 1/4-20 X 3/4	2
43	54010	AXLE SHAFT, 3/4" DIA X 18-9/16	1
44	79013	WHEEL, 8 X 2-1/2 X 3/4"BRG.POLY HUB	2



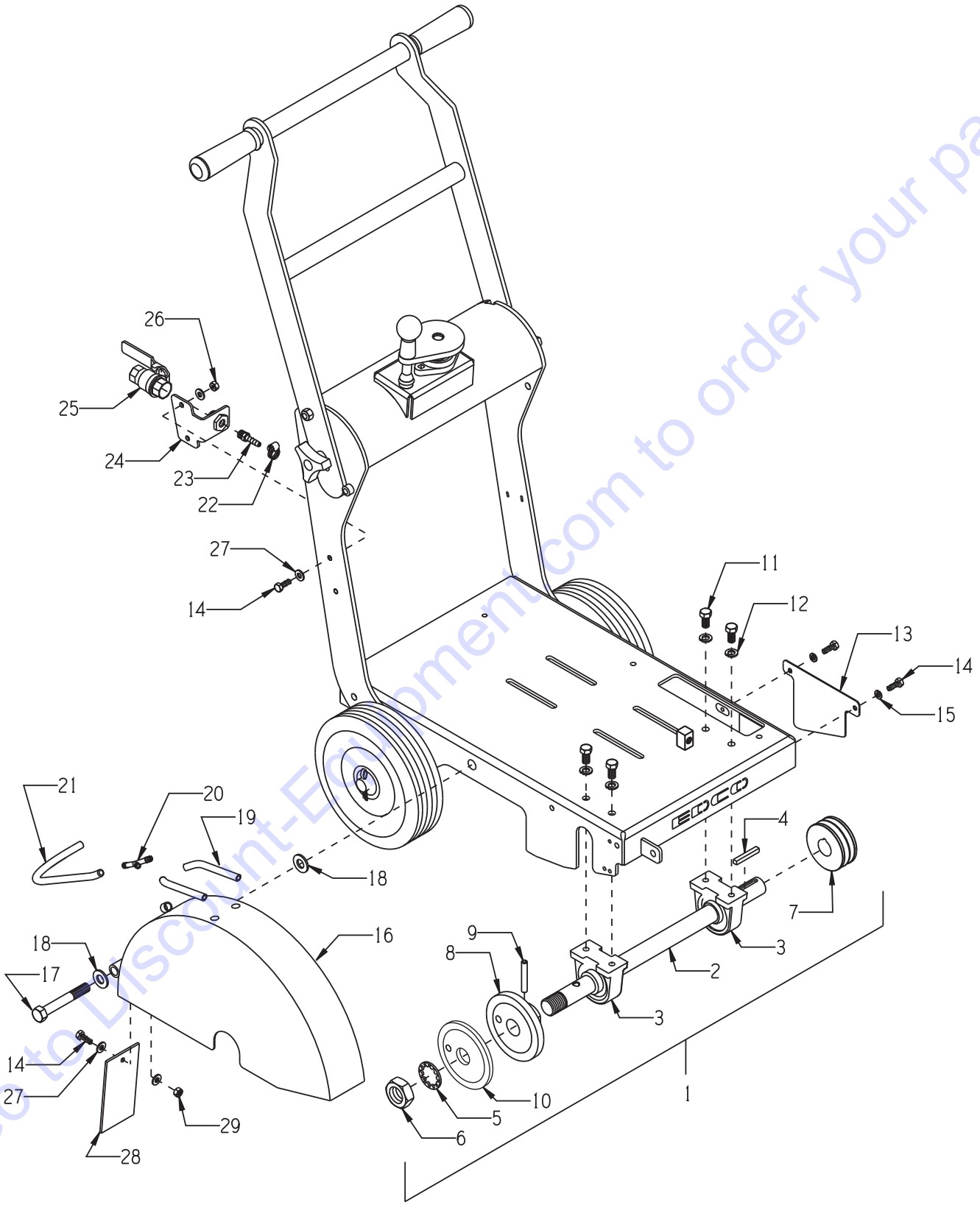
A Division of Equipment Development Company, Inc.

Printed in USA

KJK ©2012

Page 5

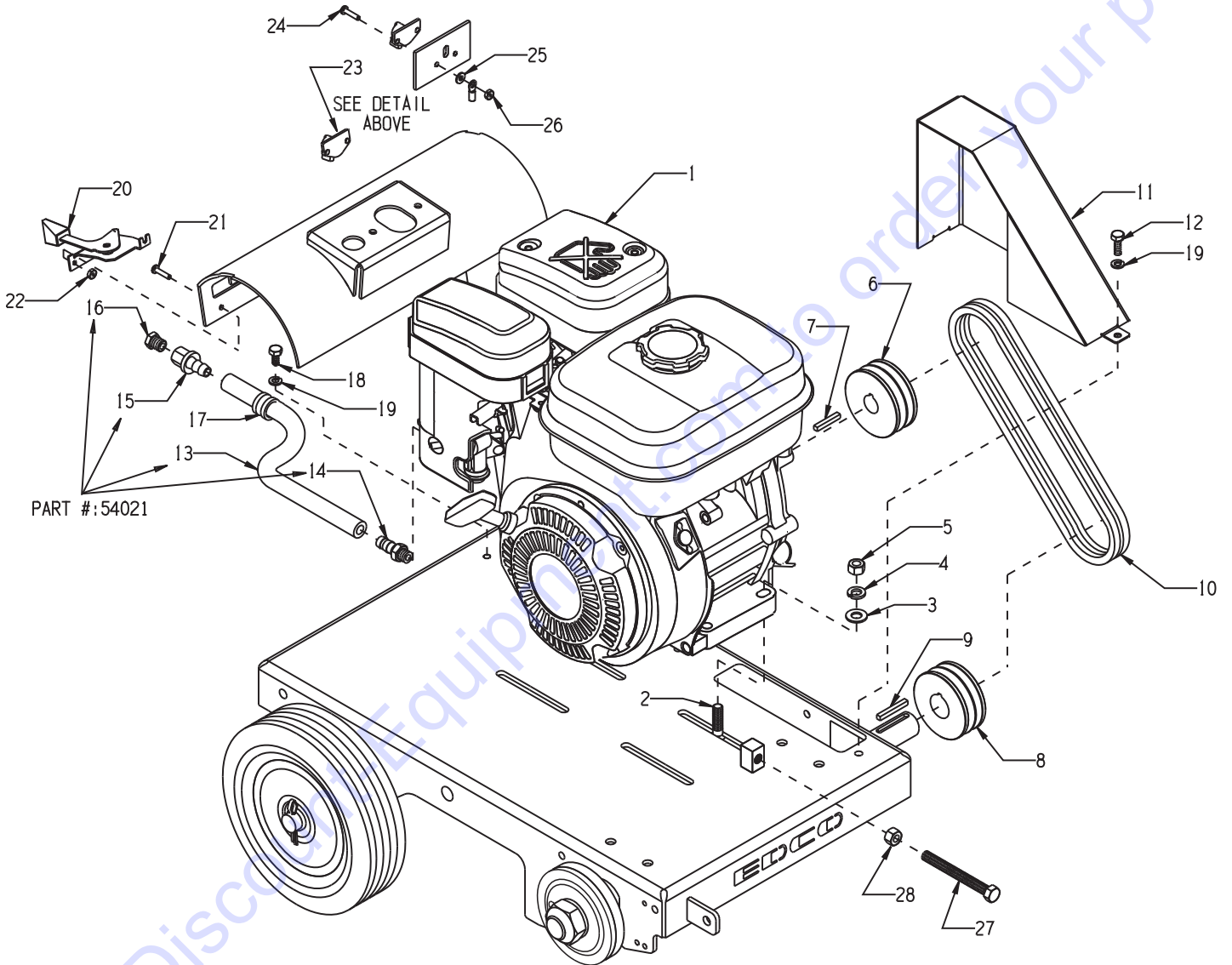
ILLUSTRATION 2: ARBOR & BLADE GUARD GROUPING



PARTS LISTING - ILLUSTRATION 2 :ARBOR & BLADE GUARD GROUPING			
ITEM #	PART #	DESCRIPTION	QTY.
1	54011A	ARBOR, ASSY. COMPLETE (ITEMS 2-10)	1
2	54011	ARBOR SHAFT, 15.8" L, KL-14	1
3	50222	BEARING, BALL 1" TPB	2
4	40317	KEY 1/4SQ X 1-5/8	1
5	55009	WASHER, LOCK, INT. TOOTH 1"	1
6	50019	NUT, HEX JAM 1-14 ZINC GRADE A	1
7	52125	SHEAVE 2.75"OD X 2GR.3V X 1"BORE	1
8	56026	ARBOR BACKING PLATE 4"	1
9	10211	PIN, ROLL 5/16 X 2	1
10	56025	ARBOR BLADE CAP 4"OD W/1"HOLE	1
11	10907	SCREW, CAP 3/8-16 X 3/4	4
12	10811	WASHER, LOCK 3/8 ZINC	4
13	54012	GUARD, ARBOR, KL-14	1
14	10018	SCREW, CAP 1/4-20 X 3/4	5
15	10038	WASHER, LOCK 1/4 ZINC	2
16	54013	GUARD, BLADE 14", KL-14 DOWNCUT	1
17	81001	SCREW, CAP 1/2-13 X 4	1
18	10312	WASHER, FLAT 1/2 SAE ZINC	2
19	54015	HOSE, WATER 1/4" D X 4-1/4	2
20	99323	BARBED FITTING, "Y" 1/4"HOSE	1
21	54016	HOSE, WATER 1/4" D X 14"	1
22	10714	CLAMP, HOSE, SAE #4, ADJ. TO 5/8"	1
23	97034	BARB, 1/4HOSE X 1/4MPT (BRASS)	1
24	54017	BRACKET, WATER VALVE, KL-14	1
25	10711	VALVE, BALL 1/2 FPT	1
26	10861	NUT, KEPS LOCK 1/4-20 ZINC	2
27	10602	WASHER, FLAT 1/4 SAE ZINC	2
28	54025	FLAP, SPLASH 2.5 X 5	1
29	10013	NUT, HEX 1/4-20 ZINC	1



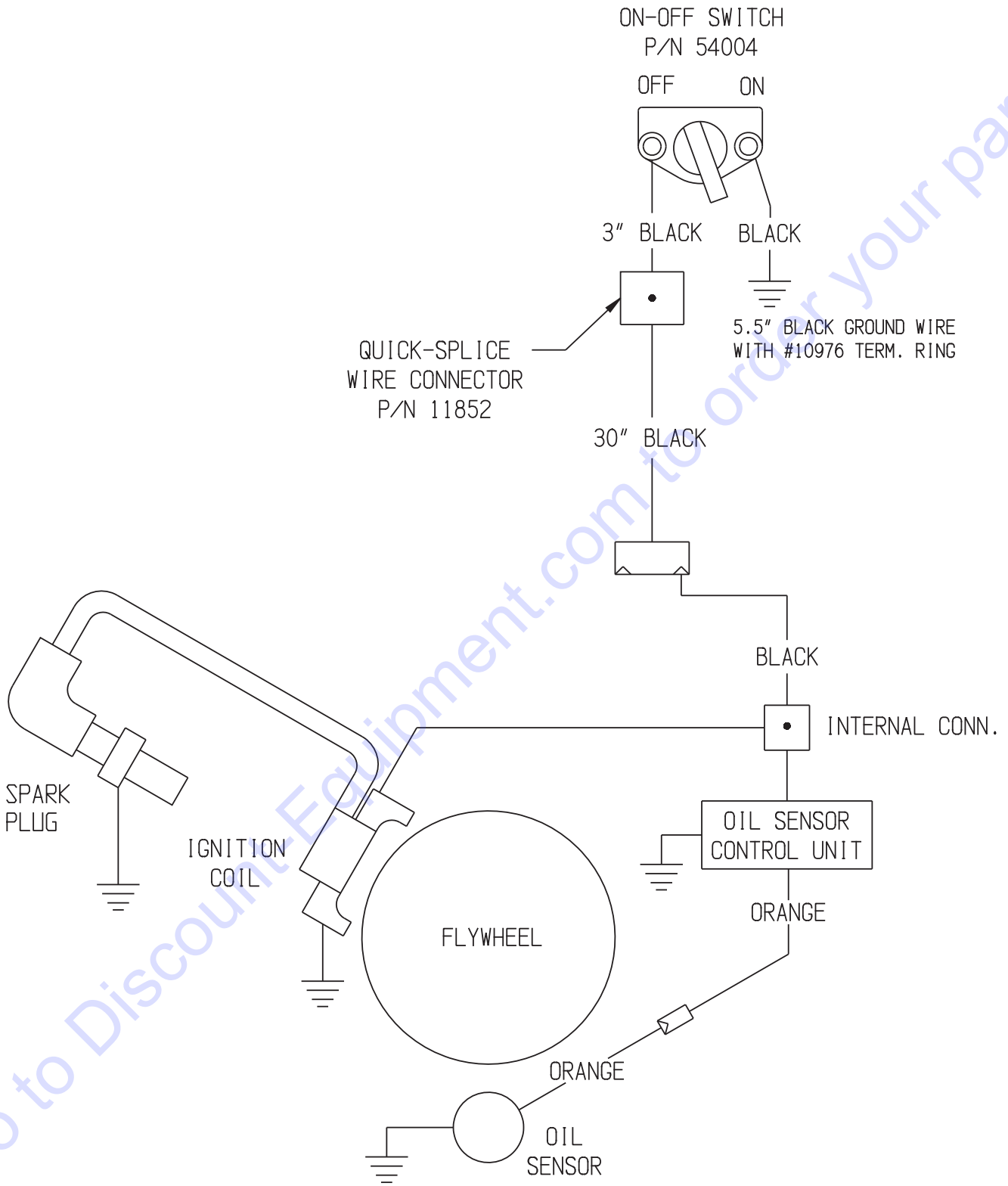
ILLUSTRATION 3: ENGINE & BELT DRIVE GROUPING



PARTS LISTING - ILLUSTRATION 3: ENGINE & BELT DRIVE GROUPING			
ITEM #	PART #	DESCRIPTION	QTY.
1	15092	ENGINE, SUBARU 7HP SP-210	1
2	10817	BOLT, CARRIAGE 5/16-18 X 1-1/2 F.T.	4
3	10213	WASHER, FLAT 5/16 SAE ZINC	4
4	10801	WASHER, LOCK 5/16 ZINC	4
5	10807	NUT, HEX 5/16-18 ZINC	4
6	40694	SHEAVE 2.75"OD X 2GR.3V X 3/4"BORE	1
7	10170	KEY 3/16SQ X 1-3/4	1
8	52125	SHEAVE 2.75"OD X 2GR.3V X 1"BORE	1
9	40317	KEY 1/4SQ X 1-5/8	1
10	36921	BELT 3VX-250 COG	2
11	54009	BELT GUARD, KL-14	1
12	11811	SCREW, HEX CAP 1/4-20 X 3/4 ZINC	2
13-16	54021	OIL DRAIN KIT	1
13	54018	HOSE, PUSH ON 3/8" ID X 9"	1
14	54020	BARB, 3/8 X 1/4 POHB X MIP ADAPTER	1
15	11544	BARB, PUSH-ON 3/8 HOSE X 1/4FPT	1
16	10766	PIPE PLUG 1/4 NPT (BRASS)	1
17	11565	CLAMP, LOOM, 5/8" (SAE SIZE 10)	1
18	10846	SCREW, CAP STSHW 1/4-20 X 1/2	1
19	10038	WASHER, LOCK 1/4 ZINC	3
20	54019	LEVER, THROTTLE, KL-14	1
21	10830	SCREW, MACHINE PPH 10-32 X 1/2	2
22	10832	NUT, KEPS LOCK 10-32 ZINC	2
23	54004	SWITCH, POWER FOR SUBARU SP210 ADDITIONAL PARTS REQ'D: (NOT SHOWN)	1
	50084	TERM., RING #10 16-14GA. INSULATED	1
	10976	TERM., RING 3/8 12-10GA. INSULATED	1
	10970	CONN., WIRE QUICK-SPLICE 18-14 GA.	1
	11852	CONNECTOR, BUTT 22-16GA. INSULATED RED	1
	36042	CLIP, NATURAL CORD, 1/8 X 1/4	3
	11853	CONNECTOR, BULLET STD. 16-14GA.BLUE	1
	10982	TIE, CABLE, BLACK NYLON 11-1/4"	1
24	10362	SCREW, MACHINE 8-32 X 3/4	2
25	10831	WASHER, LOCK, INT. TOOTH #10	1
26	10462	NUT, KEPS LOCK 8-32 ZINC	2
27	52015	BOLT, TAP 3/8-16 X 3-1/2	1
28	10404	NUT, HEX 3/8-16 ZINC	1



SWITCH & ENGINE WIRING DIAGRAM



PARTS FINDER

**Search Website
by Part Number**



**Search Manual
Library For Parts
Manual & Lookup Part
Numbers – Purchase
or Request Quote**

Search Manuals

Enter your information to help us find the right parts manual for your machine.

* Brand:

* Model:

* Serial:

* Part Number:

SEARCH

**Can't Find Part or
Manual? Request Help
by Manufacturer,
Model & Description**

Parts Order Form

Please fill in the following information to help us find the right part for your machine.

Manufacturer:	<input type="text"/>
Model:	<input type="text"/>
Description:	<input type="text"/>
Part Number:	<input type="text"/>
Quantity:	<input type="text"/>
Notes:	<input type="text"/>

Discount-Equipment.com is your online resource for quality parts & equipment.

Florida: **561-964-4949** Outside Florida TOLL FREE: **877-690-3101**

Need parts?

Click on this link: <http://www.discount-equipment.com/category/5443-parts/> and choose one of the options to help get the right parts and equipment you are looking for. Please have the machine model and serial number available in order to help us get you the correct parts. If you don't find the part on the website or on one of the online manuals, please fill out the request form and one of our experienced staff members will get back to you with a quote for the right part that your machine needs.

We sell worldwide for the brands: Genie, Terex, JLG, MultiQuip, Mikasa, Essick, Whiteman, Mayco, Toro Stone, Diamond Products, Generac Magnum, Airman, Haulotte, Barreto, Power Blanket, Nifty Lift, Atlas Copco, Chicago Pneumatic, Allmand, Miller Curber, Skyjack, Lull, Skytrak, Tsurumi, Husquvarna Target, Stow, Wacker, Sakai, Mi-T-M, Sullair, Basic, Dynapac, MBW, Weber, Bartell, Bennar Newman, Haulotte, Ditch Runner, Menegotti, Morrison, Contec, Buddy, Crown, Edco, Wyco, Bomag, Laymor, EZ Trench, Bil-Jax, F.S. Curtis, Gehl Pavers, Heli, Honda, ICS/PowerGrit, IHI, Partner, Imer, Clipper, MMD, Koshin, Rice, CH&E, General Equipment, Amida, Coleman, NAC, Gradall, Square Shooter, Kent, Stanley, Tamco, Toku, Hatz, Kohler, Robin, Wisconsin, Northrock, Oztec, Toker TK, Rol-Air, APT, Wylie, Ingersoll Rand / Doosan, Innovatech, Con X, Ammann, Mecalac, Makinex, Smith Surface Prep, Small Line, Wanco, Yanmar