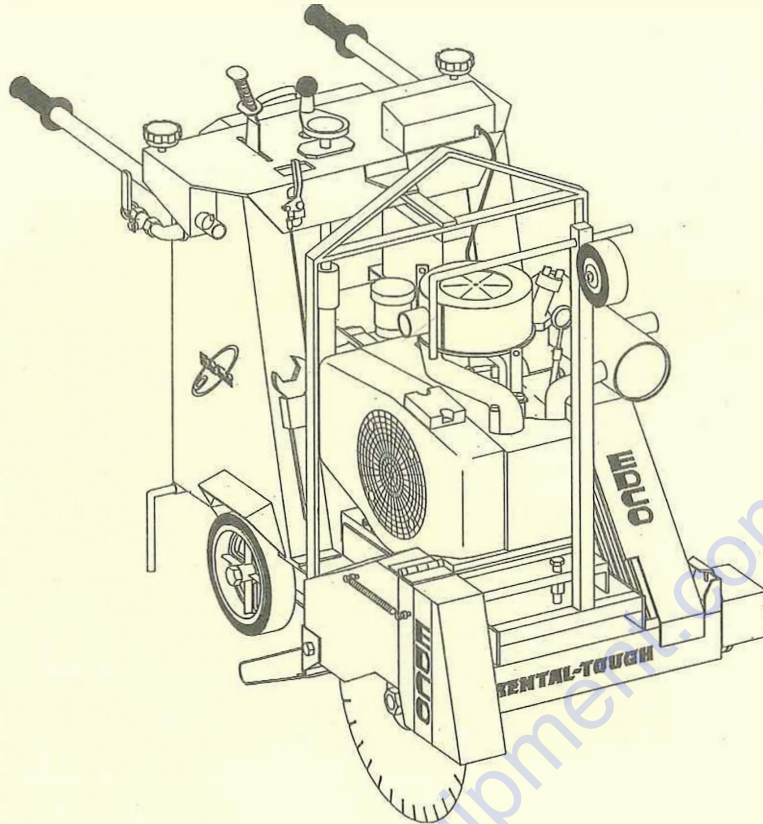


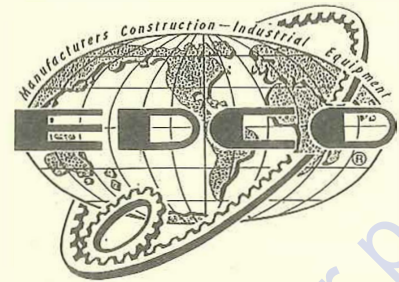
SELF-PROPELLED CONCRETE / ASPHALT SAW



MODELS SS-16 & SS-18

TABLE OF CONTENTS

	PAGE
1 FRAME GROUPING.....	1
2 ARBOR AND BLADE GUARD GROUPING.....	3
3 WATER PUMP GROUPING (OPTIONAL).....	5
4 TRANSMISSION GROUPING.....	7
5 BELT DRIVE GROUPING.....	9
6 ENGINE GROUPING FOR MODEL SS-16.....	11
7 ENGINE GROUPING FOR MODEL SS-18.....	13
8 BATTERY GROUPING FOR ELECTRIC START UNITS..	15
9 H.D. AIR CLEANER GROUPING (OPTIONAL).....	16
10 MOTOR GROUPING FOR ELECTRIC UNITS.....	17
11 BLADE DEPTH GAUGE GROUPING (OPTIONAL).....	19
12 HEAD LAMP GROUPING (OPTIONAL).....	20
13 WIRING DIAGRAM FOR ELECTRIC START UNITS....	21
14 WIRING DIAGRAM FOR ELECTRIC UNITS.....	22
WARRANTY/HOW TO ORDER REPAIR PARTS.....	23



PARTS LIST MANUAL

REVISED SEPT. 1994
STARTING SERIAL NO. 1911

PRINTED IN USA

PARTS FINDER

**Search Website
by Part Number**



**Search Manual
Library For Parts
Manual & Lookup Part
Numbers – Purchase
or Request Quote**

Search Manuals

Enter your information to help us find the right parts manual for your machine.

* Brand:

* Model:

* Serial:

* Part Number:

SEARCH

**Can't Find Part or
Manual? Request Help
by Manufacturer,
Model & Description**

Parts Order Form

Please fill in the following information to help us find the right part for your machine.

Manufacturer:	<input type="text"/>
Model:	<input type="text"/>
Description:	<input type="text"/>
Part Number:	<input type="text"/>
Quantity:	<input type="text"/>
Notes:	<input type="text"/>

Submit

Discount-Equipment.com is your online resource for quality parts & equipment.

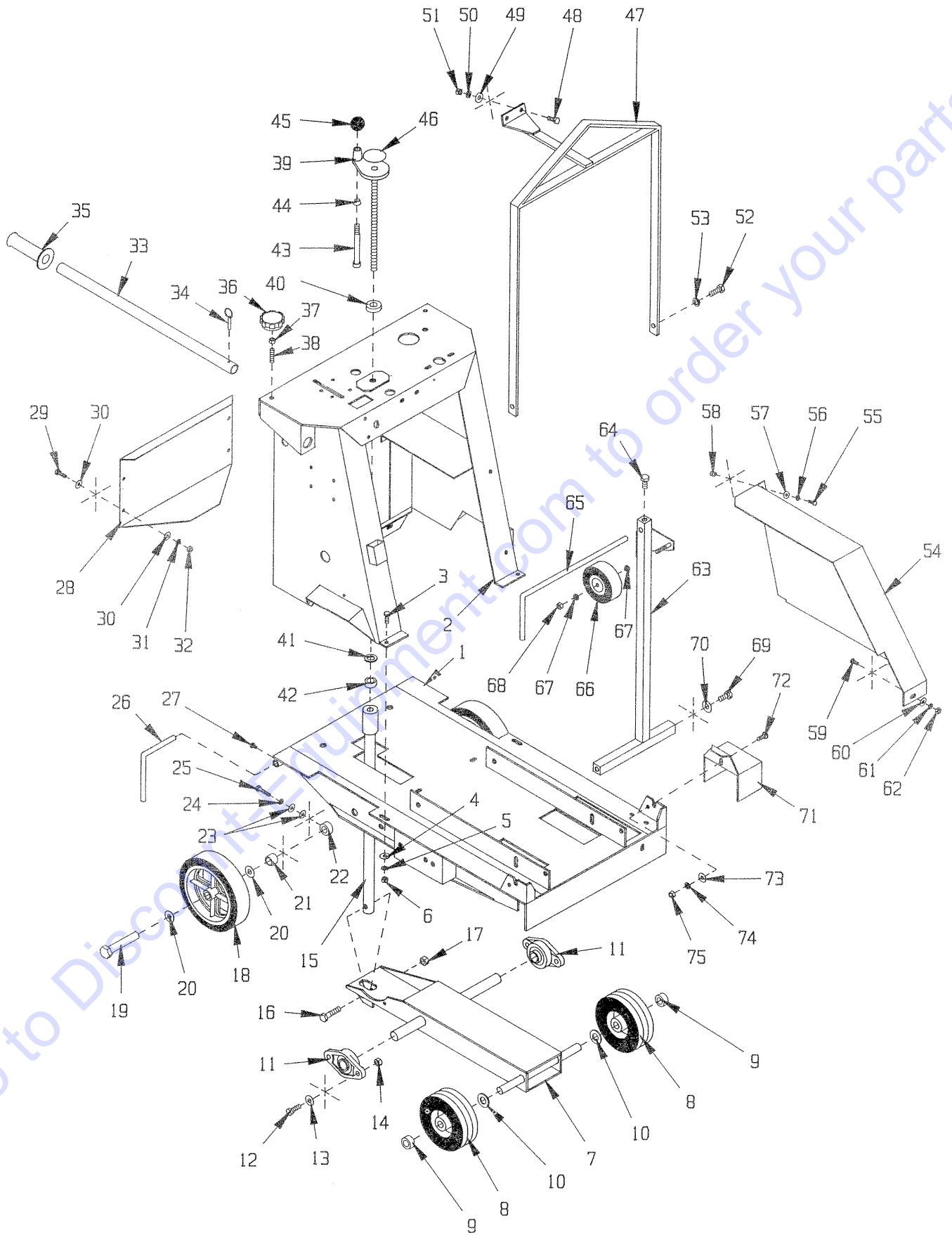
Florida: **561-964-4949** Outside Florida TOLL FREE: **877-690-3101**

Need parts?

Click on this link: <http://www.discount-equipment.com/category/5443-parts/> and choose one of the options to help get the right parts and equipment you are looking for. Please have the machine model and serial number available in order to help us get you the correct parts. If you don't find the part on the website or on one of the online manuals, please fill out the request form and one of our experienced staff members will get back to you with a quote for the right part that your machine needs.

We sell worldwide for the brands: Genie, Terex, JLG, MultiQuip, Mikasa, Essick, Whiteman, Mayco, Toro Stone, Diamond Products, Generac Magnum, Airman, Haulotte, Barreto, Power Blanket, Nifty Lift, Atlas Copco, Chicago Pneumatic, Allmand, Miller Curber, Skyjack, Lull, Skytrak, Tsurumi, Husquvarna Target, Stow, Wacker, Sakai, Mi-T-M, Sullair, Basic, Dynapac, MBW, Weber, Bartell, Bennar Newman, Haulotte, Ditch Runner, Menegotti, Morrison, Contec, Buddy, Crown, Edco, Wyco, Bomag, Laymor, EZ Trench, Bil-Jax, F.S. Curtis, Gehl Pavers, Heli, Honda, ICS/PowerGrit, IHI, Partner, Imer, Clipper, MMD, Koshin, Rice, CH&E, General Equipment, Amida, Coleman, NAC, Gradall, Square Shooter, Kent, Stanley, Tamco, Toku, Hatz, Kohler, Robin, Wisconsin, Northrock, Oztec, Toker TK, Rol-Air, APT, Wylie, Ingersoll Rand / Doosan, Innovatech, Con X, Ammann, Mecalac, Makinex, Smith Surface Prep, Small Line, Wanco, Yanmar

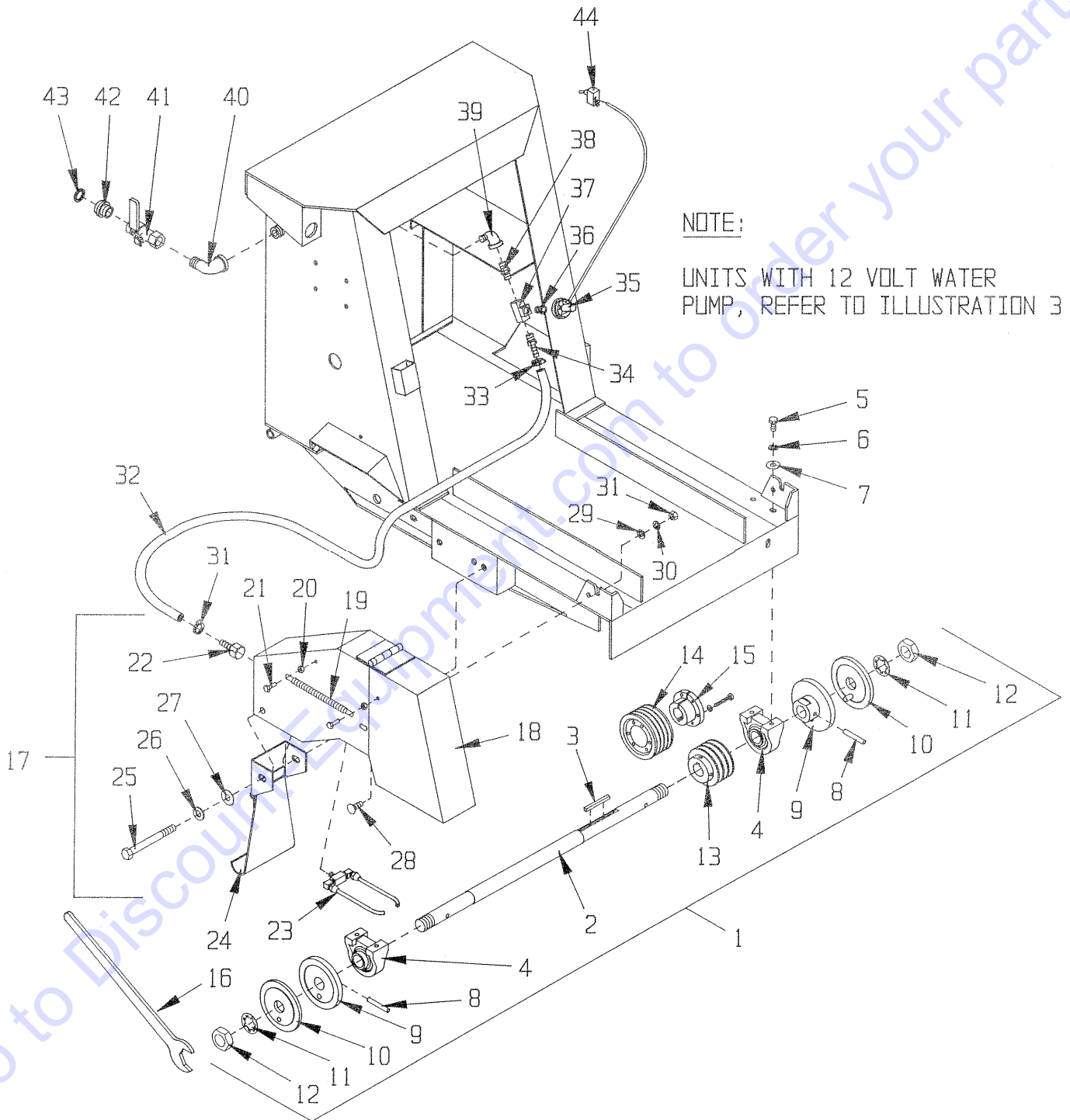
ILLUSTRATION 1: FRAME GROUPING



PARTS LISTING - ILLUSTRATION 1: FRAME GROUPING

Item #	Part #	Description	Qty.
1	51001	Main Frame	1
2	51002	Console	1
3	10021	Screw, Cap 3/8-24 x 1	4
4	10025	Washer, Flat 3/8	6
5	10811	Washer, Lock 3/8	4
6	10014	Nut 3/8-24	4
7	51004	Fork	1
8	80028	Wheel 6 x 2 x 3/4"Brg.	2
9	10428	Collar, Locking 3/4"	2
10	10009	Washer, Flat 3/4	2
11	62022	Bearing, Ball 1" 2-Hole Flange	2
12	10003	Screw, Cap 7/16-20 x 1-1/4	4
13	10062	Washer, Flat 7/16	4
14	10002	Nut, Lock 7/16-20	4
15	56003	Linkage, Cut Control	1
16	10322	Screw, Cap 1/2-20 x 2	1
17	10205	Nut, Lock 1/2-20	1
18	51028	Wheel 8 x 2 x 3/4"Brg.	2
19	51050	Axle, Bolt Blank 3/4 x 5	2
20	10009	Washer, Flat 3/4	4
21	51053	Spacer 1"OD x 3/4"ID x 3/4"L	2
22	10428	Collar, Locking 3/4 (Set-screw removed)	2
23	10213	Washer, Flat 5/16	4
24	10801	Washer, Lock 5/16	2
25	10342	Screw, Cap 5/16-18 x 1-1/2	2
26	51011	Guide, Rear	1
27	10834	Screw, Cap 1/4-20 x 1/2	2
28	51016	Shield, Rear (Not req'd. on units w/ rear gas tank.)	1
29	10806	Screw, Cap 5/16-18 x 1	4
30	10213	Washer, Flat 5/16	8
31	10801	Washer, Lock 5/16	4
32	10054	Nut 5/16-18	4
33	51024	Handle Bar	2
34	10145	Pin, Detent Ring 3/16 x 1-5/16"Eff.Lg.	2
35	61108	Grip, Hand 1" Model SX	2
36	10923	Knob, Fluted 3/8-16 x 2"Dia.	2
37	10404	Nut 3/8-16	2
38	50539	Rod, Allthread 3/8-16 x 1-3/4	2
39	81023	Handwheel, Small w/ 5/8-8 x 12"Rod	1
40	85005	Bearing, Ball 5/8"ID x 1-1/2"OD, Thrust	1
41	10073	Washer, Flat 5/8	1
42	10096	Collar, Locking 5/8	1
43	10346	Screw, Skt. Hd. 1/2-13 x 4-1/2	1
44	50550	Sleeve for 1/2" Capscrew, Tapered	1
45	14023	Knob, Ball 1-3/8"Dia. w/ 1/2-13 Thd.	1
46	80007	Decal, "Cut Control", Small	1
47	51057	Bail, Lifting	1
48	10021	Screw, Cap 3/8-24 x 1	2
49	10025	Washer, Flat 3/8	2
50	10811	Washer, Lock 3/8	2
51	10014	Nut 3/8-24	2
52	10321	Screw, Cap 1/2-20 x 1-1/4	2
53	10045	Washer, Lock 1/2	2
54		Cover, Belt	1
	51009	Gasoline Models	
	51058	Electric Models	
55	10018	Screw, Cap 1/4-20 x 3/4	2
56	10038	Washer, Lock 1/4	2
57	10602	Washer, Flat 1/4	2
58	10439	Thread-Sert 1/4-20, Blind Rivet	2
59	10053	Screw, Cap 5/16-18 x 3/4	1
60	10213	Washer, Flat 5/16	1
61	10801	Washer, Lock 5/16	1
62	10054	Nut 5/16-18	1
63	51013	Guide Bar, Front	1
64	10304	Screw, Cap 1/2-20 x 1	1
65	51012	Guide, Front	1
66	50024	Wheel 4 x 1-3/8 x 3/8"Bore	1
67	10025	Washer, Flat 3/8	1
68	10811	Nut, Lock 3/8	1
69	10304	Screw, Cap 1/2-20 x 1	2
70	10312	Washer, Flat 1/2	2
71	51010	Cover, Arbor	1
72	10818	Bolt, Carriage 5/16-18 x 3/4	1
73	10213	Washer, Flat 5/16	1
74	10801	Washer, Lock 5/16	1
75	10054	Nut 5/16-18	1

ILLUSTRATION 2: ARBOR & BLADE GUARD GROUPING

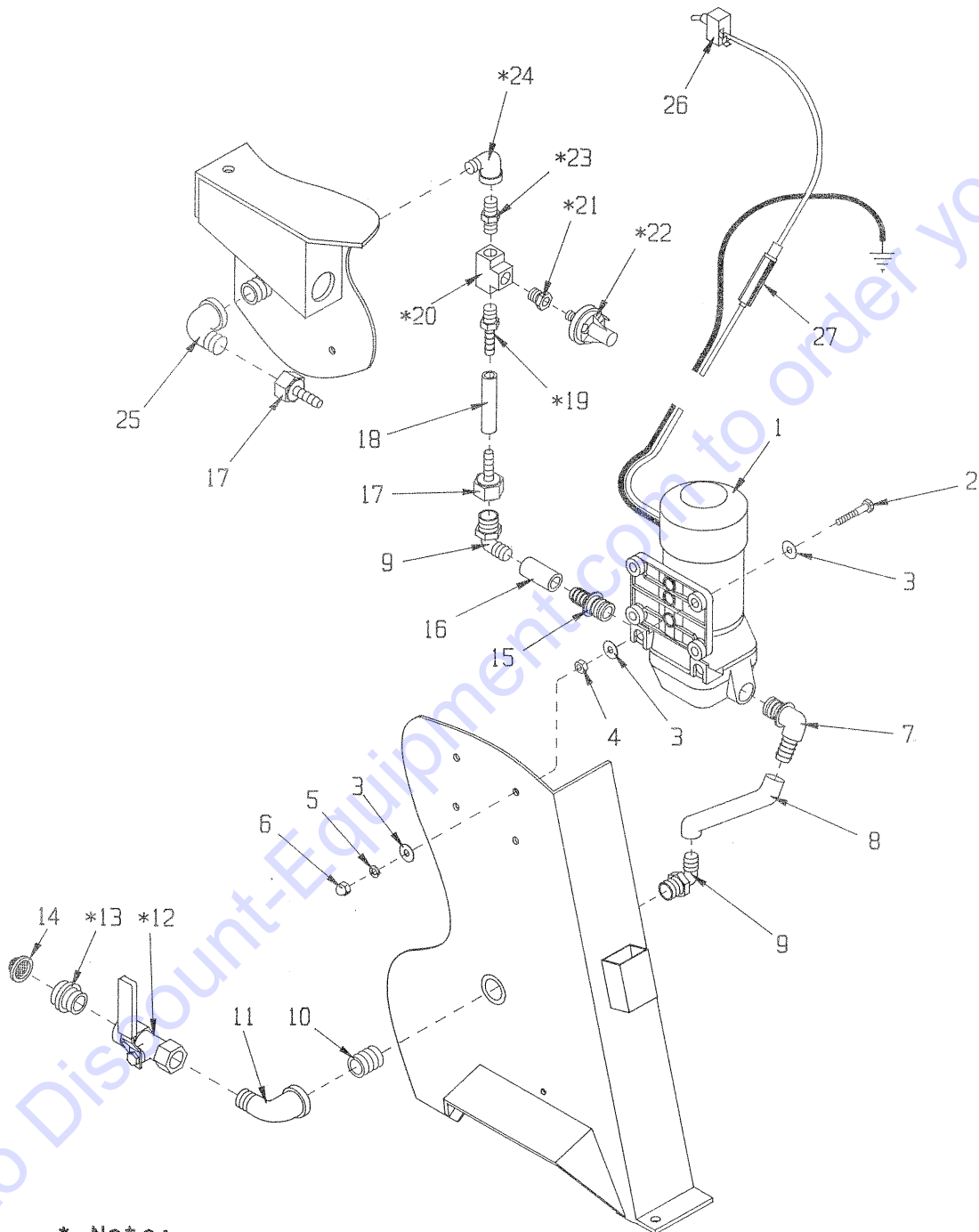


PARTS LISTING - ILLUSTRATION 2: ARBOR & BLADE GUARD GROUPING

Item #	Part #	Description	Qty.
1		Arbor Assembly Complete (See note)	
	56007A	Includes Items 2 thru 13	
	56007B	Includes Items 2 thru 12, 14, & 15	
2	56007	Arbor Shaft 24-1/2"L	1
3	10017	Key 1/4" Sq. x 2-3/8	1
4	50222	Bearing, Ball 1" Tapped Block	2
5	10907	Screw, Cap 3/8-16 x 3/4	4
6	10811	Washer, Lock 3/8	4
7	10025	Washer, Flat 3/8	4
8	10211	Pin, Roll 5/16 x 2	2
9	56026	Arbor Backing Plate 4"Dia.	2
10	56025	Arbor Blade Retaining Cap 4"Dia.	2
11	55009	Washer, Lock, Internal Tooth 1"	2
12	50019	Nut, Jam 1-14	2
*13	80027	Sheave 3"OD x 3Gr.A x 1"Bore	1
*14	10504	Sheave 3.65"OD x 4Gr.3V x SH	1
*15	10076	Bushing, Sheave SH x 1"Bore	1
16	50445	Wrench, Arbor 1-1/2	2
17		Blade Guard Assembly Complete (Includes Items 18 thru 23)	1
	51005C	16" Guard Assembly, Model SS-16	
	51039C	18" Guard Assembly, Model SS-18	
18		Guard, Blade	1
	51005	16" Guard Only, Model SS-16	
	51039	18" Guard Only, Model SS-18	
19	3636	Spring, Ext. 6"L	2
20	10013	Nut 1/4-20 (Shown, outside)	4
	10861	Nut, Keps 1/4-20 (Not shown, inside)	4
21	10018	Screw, Cap 1/4-20 x 3/4	4
22	10729	Barb, 3/8"Hose x 1/2FPT	1
23	51026	Nozzle, Coolant	1
24	56024	Guard, Steel Flap	1
25	10409	Screw, Cap 1/2-20 x 4-1/2	1
26	10045	Washer, Lock 1/2	1
27	10312	Washer, Flat 1/2	1
28	10802	Bolt, Carriage 3/8-16 x 1	1
29	10025	Washer, Flat 3/8	1
30	10811	Washer, Lock 3/8	1
31	10404	Nut 3/8-16	1
32	51029	Hose, Water 3/8"ID x 36"L	1
33	50069	Clamp, Hose Adjustable 5/16 to 7/8"	2
34	50075	Barb, Hose 3/8"Hose x 1/4MPT	1
35	51030	Switch, Pressure, Mag. Ign. 76061-2 NC	1
36	10718	Bushing, Hex 1/4 x 1/8 NPT (Brass)	1
37	10719	Pipe Tee, Female 1/4 NPT (Brass)	1
38	10717	Nipple, Hex 1/4 NPT (Brass)	1
39	85039	Elbow, Street 1/4NPT x 90 (Black)	1
40	10724	Elbow, Street 1/2NPT x 90 (Black)	1
41	10711	Valve, Ball 1/2 FPT	1
42	80021	Conn., Swivel Female 3/4Hose x 1/2MPT	1
43	10070	Washer, Hose 3/4	1
44	10633	Switch, Toggle SPST	1

* Note:
 Kohler 20 HP & Baldor 10 HP, use a 4-belt 3V-style groove sheave (Item 14) and require a SH-style bushing (Item #15).
 All other units use a 3-belt A-Style groove sheave and do not require a bushing.

ILLUSTRATION 3: 12 VOLT DC WATER PUMP GROUPING (OPTIONAL) PART NO. 51060



* Note:
Items 11 thru 13, and 19 thru 24 exist on standard units. These parts are not included with water pump assembly when converting saw. Items 11, 12, and 13 (Elbow, Ball Valve, and Hose Connector) must be relocated to the lower pipe fitting in the right side of the console. Also item 14 (Hose Filter Screen) should replace the hose washer (Illus. 2 - Item 43) that is used on standard units.

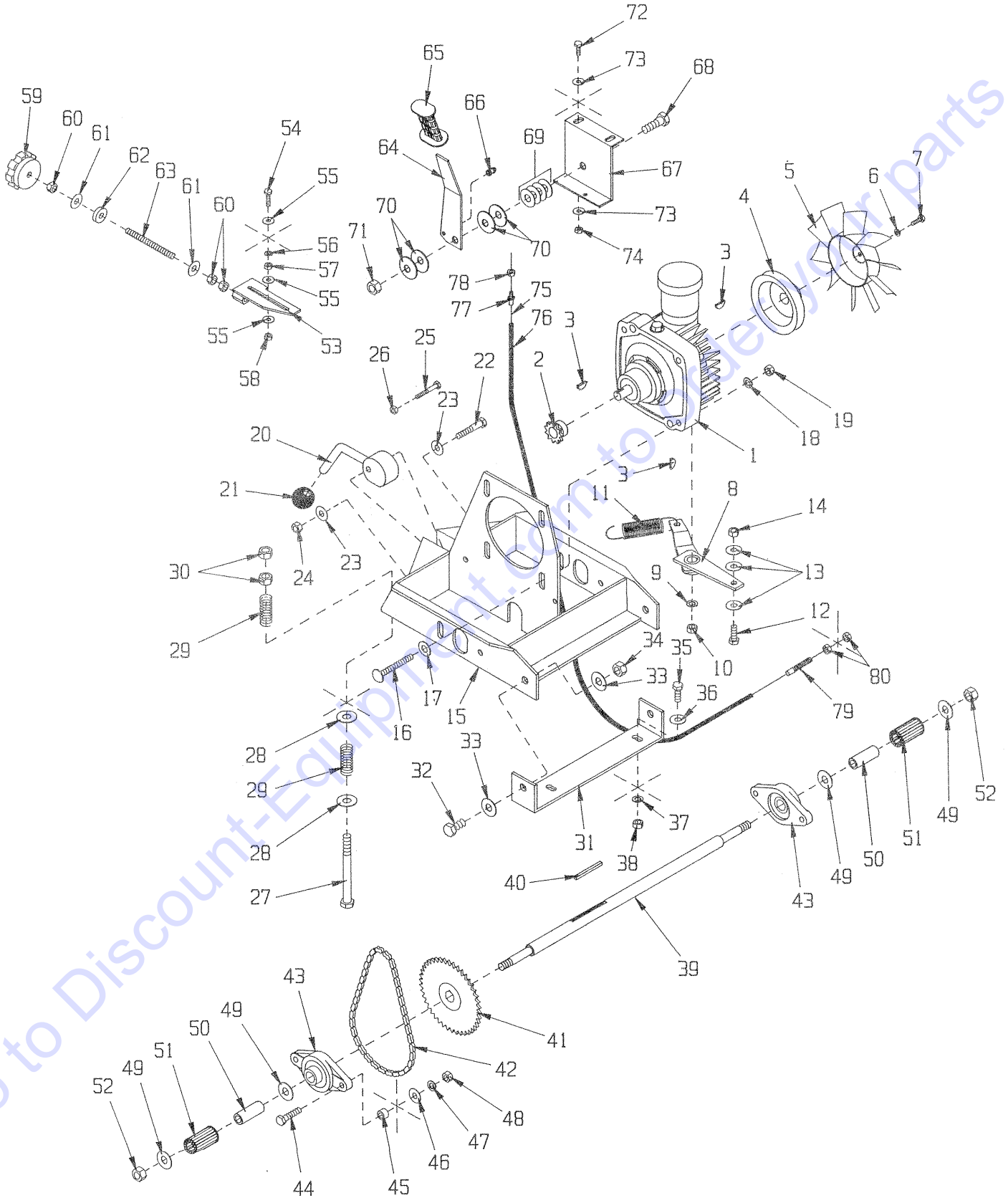
PARTS LISTING - ILLUSTRATION 3:
 OPTIONAL - 12 VOLT DC WATER PUMP GROUPING FOR
 GASOLINE/PROPANE POWERED ELECTRIC START UNITS

Item #	Part #	Description	Qty.
1	50470	Pump, Water 12 VDC, Flojet Quad	1
2	10315	Screw, Cap 1/4-20 x 1-1/2	4
3	10602	Washer, Flat 1/4	12
4	10015	Nut, Lock 1/4-20	4
5	10038	Washer, Lock 1/4	4
6	10876	Nut, Acorn 1/4-20	4
7	50469	Barb Elbow 90, 1/2 Hose x 3/4 Push-In	1
8	57138	Hose 1/2"ID x 7"L	1
9	50471	Barb Elbow 90, 1/2Hose x 1/2MPT (Plstc.)	2
10	10728	Pipe Nipple, Close 1/2 NPT (Black)	1
11	10724	Elbow, Street 1/2NPT x 90 (Black)	*
12	10711	Valve, Ball 1/2 FPT	*
13	80021	Conn., Swivel Female 3/4Hose x 1/2MPT	*
14	10758	Screen, Hose Filter	1
15	10684	Barb, 1/2Hose x 3/4 Push-In (Plastic)	1
16	50532	Hose 1/2"ID x 2"L	1
17	10729	Barb, 3/8 Hose x 1/2 FPT	2
18	57059	Hose 3/8"ID x 2-1/2"L	1
19	50075	Barb, 3/8 Hose x 1/4 MPT	*
20	10719	Pipe Tee, Female 1/4 NPT (Brass)	*
21	10718	Bushing, Hex 1/4 x 1/8 NPT (Brass)	*
22	51030	Switch, Pressure, Mag. Ign. 76061-2 NC	*
23	10717	Nipple, Hex 1/4 NPT (Brass)	*
24	85039	Elbow, Street 1/4 NPT x 90 (Black)	*
25	10724	Elbow, Street 1/2NPT x 90 (Black)	1
26	10633	Switch, Toggle SPST	1
27	50447	Fuse & Holder, 10 Amp.	1

* Note:

These items are not included with water pump assembly.

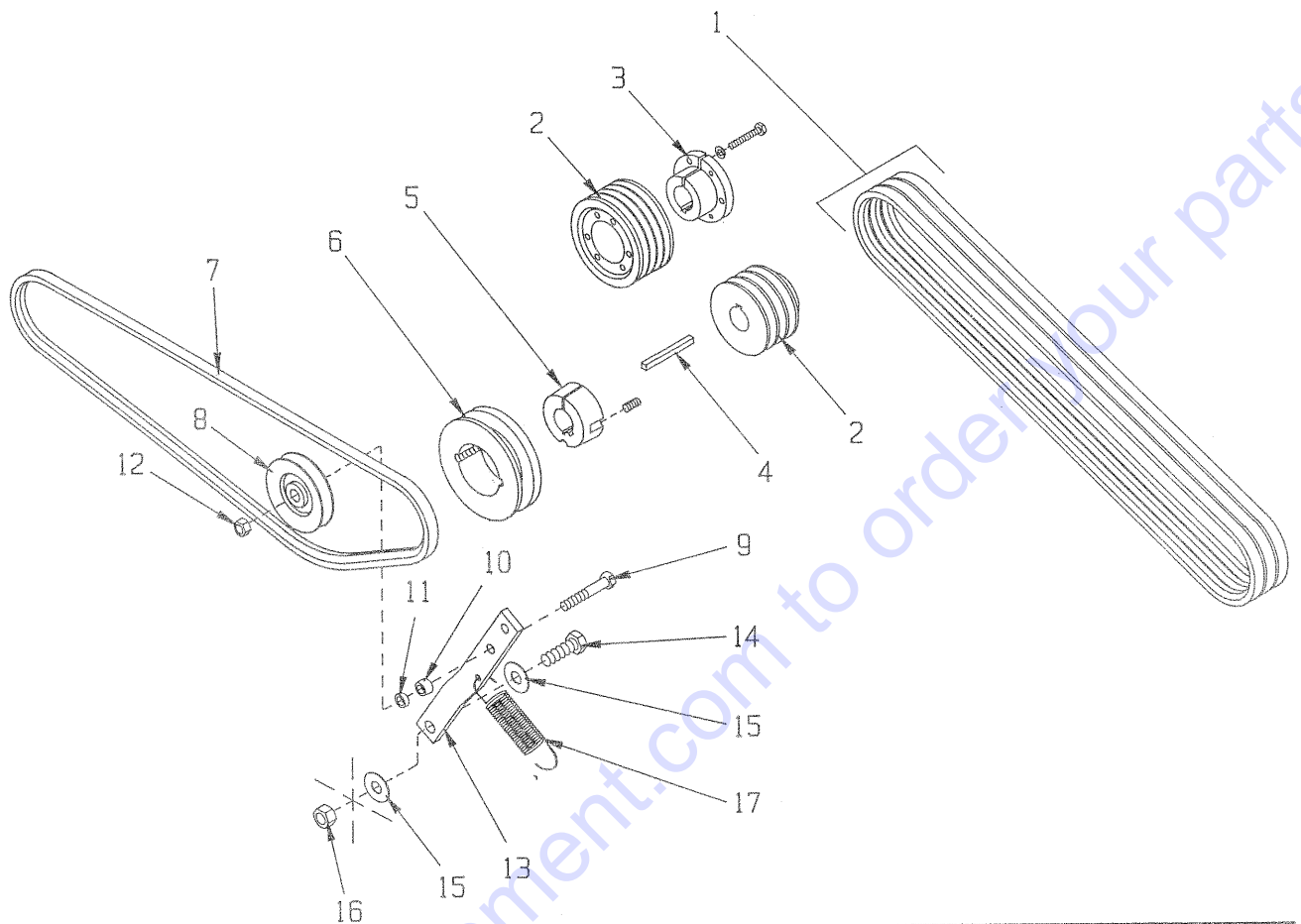
ILLUSTRATION 4: TRANSMISSION GROUPING



PARTS LISTING - ILLUSTRATION 4: TRANSMISSION GROUPING

Item #	Part #	Description	Qty.
1	50061	Transmission, Hydrostatic	1
2	50048	Sprocket #3511 x .67"Bore	1
3	50071	Key, Woodruff 1/8 x 1/2 (#404)	3
4	50062	Sheave, Hyd. Trans. 4"OD x 1Gr. x .671"B	1
5	50266	Fan Blade W/ Plate 7", Transmission	1
6	10038	Washer, Lock 1/4	1
7	10018	Screw, Cap 1/4-20 x 3/4	1
8	51021	Transmission Control Arm	1
9	10811	Washer, Lock 3/8	1
10	10404	Nut 3/8-16	1
11	50074	Spring, Ext. 1"OD x 3-15/16"Inside Ends	1
12	50087	Screw, Cap 3/8-24 x 1 (Grade 2) To have hole drilled for anchoring wire	1
13	10025	Washer, Flat 3/8	3
14	10004	Nut, Lock 3/8-24	1
15		Mount, Transmission	1
	51006	Model SS-16	
	51041	Model SS-18	
16	10909	Bolt, Carriage 3/8-16 x 3	4
17	10040	Washer, Garret 1"OD x 17/32"ID x .054"T	4
18	10811	Washer, Lock 3/8	4
19	10404	Nut 3/8-16	4
20	51022	Cam Lever, Transmission	1
21	14023	Knob, Ball 1-3/8"RD. W/ 1/2-13 Thd.	1
22	10030	Screw, Cap 3/8-24 x 2	1
23	10025	Washer, Flat 3/8	2
24	10004	Nut, Lock 3/8-24	1
25	10314	Screw, Cap 1/4-20 x 1-3/4	1
26	10015	Nut, Lock 1/4-20	1
27	10376	Screw, Cap 1/2-13 x 5	2
28	10312	Washer, Flat 1/2	4
29	51035	Spring, Comp. .828"OD x .578"ID x 2"Lg.	4
30	10417	Nut 1/2-13	4
31	51007	Mount Bracket, Transmission	1
32	10304	Screw, Cap 1/2-20 x 1	2
33	10312	Washer, Flat 1/2	4
34	10205	Nut, Lock 1/2-20	2
35	10021	Screw, Cap 3/8-24 x 1	2
36	10025	Washer, Flat 3/8	2
37	10811	Washer, Lock 3/8	2
38	10014	Nut 3/8-24	2
39	51025	Shaft, Drive 2 1/2"L (Jackshaft)	1
40	10119	Key 3/16"sq. x 2-1/4	1
41	51037	Sprocket #35B42 x 3/4"Bore	1
42	51059	Chain, Roller #35 x 22-3/8"LOA (Includes P/N 10971 Connecting Link)	1
43	50049	Bearing, Ball 3/4" 2-Hole Flange	2
44	10816	Screw, Cap 3/8-24 x 1-1/2	4
45	10011	Spacer, Steel 5/8"OD x 3/8"ID x 3/8"	4
46	10025	Washer, Flat 3/8	4
47	10811	Washer, Lock 3/8	4
48	10004	Nut 3/8-24	4
49	10312	Washer, Flat 1/2	4
50	51054	Spacer, Drive Roller 3/4"OD x 1/2"ID x 1-29/32"L	
51	51055	Bearing, Roller Assy. (Drive Roller) 3/4"ID x 1-1/8"ID x 2"L	2
52	10205	Nut, Lock 1/2-20	2
53	50418	Detent Plate, Drive Lever	1
54	10031	Screw, Cap 1/4-20 x 1	2
55	10602	Washer, Flat 1/4	6
56	10038	Washer, Lock 1/4	2
57	10013	Nut 1/4-20	2
58	10015	Nut, Lock 1/4-20	2
59	10923	Knob, Fluted 3/8-16 x 2"Dia.	1
60	10404	Nut 3/8-16	3
61	10025	Washer, Flat 3/8	2
62	56018	Bushing, Rubber 1-1/8OD x 3/8ID x 1/4Thk	1
63	50111	Rod, Allthread 3/8-16 x 4-1/2	1
64	51018	Lever, Drive	1
65	10927	Grip, Hand 3/4" Model JX	1
66	50035	Swivel Stop, Wire .090"Dia.	1
67	51019	Bracket, Drive Lever	1
68	10308	Screw, Cap 1/2-20 x 1-1/2	1
69	10312	Washer, Flat 1/2	4
70	10426	Washer, Spring 1/2"ID x 3/64"Thk.	4
71	10205	Nut, Lock 1/2-20	1
72	10018	Screw, Cap 1/4-20 x 3/4	2
73	10602	Washer, Flat 1/4	4
74	10015	Nut, Lock 1/4-20	2
75	51033	Cable Wire .072"Dia. x 33"L	1
76	51034	Cable Housing, Trans. 23"L	1
77	50060	Fitting, Conduit 1/4-20 (Swage Fitting)	1
78	10013	Nut 1/4-20	1
79	50085	Fitting, Conduit 5/16-24 (Adj. Collar)	1
80	10424	Nut 5/16-24	2
75-80	51080	Cable Assembly, Transmission (Includes Items 75 thru 80)	

ILLUSTRATION 5: BELT DRIVE GROUPING



BELT DRIVE SPECIFICATION CHART					
Model	Engine/Motor & HP	Shaft Size	* Sheave Size (Item #2)	Arbor Belt Size	Trans. Belt Size
SS-16	Honda GX340 11 HP	1"	3"OD W/O Hub	AX-31	AP-41
	Robin EY44W 10.5 HP	1-1/8"	3"OD	AX-34	AP-41
	Kohler Mag. 14/16 HP	1-1/8"	3"OD	AX-34	4L-450
SS-18	Kohler Magnum 18 HP	1-1/8"	3"OD	AX-34	4L-450
	B&S Vanguard 18 HP	1"	3"OD W/O Hub	AX-33	4L-440
	Kohler Magnum 20 HP	1-7/16"	3.65"OD SH	3VX-375	AP-44
	Elec. Baldor 7.5 HP	1-1/8"	3"OD	AX-36	AP-41
	Elec. Baldor 10 HP	1-3/8"	3.65"OD SH	3VX-400	AP-44

* Note:
 Kohler 20 HP & Baldor 10 HP, use a 4-belt 3V-style groove sheave and require a SH-style bushing (Item #3). All other units use a 3-belt A-style groove sheave and do not require a bushing.

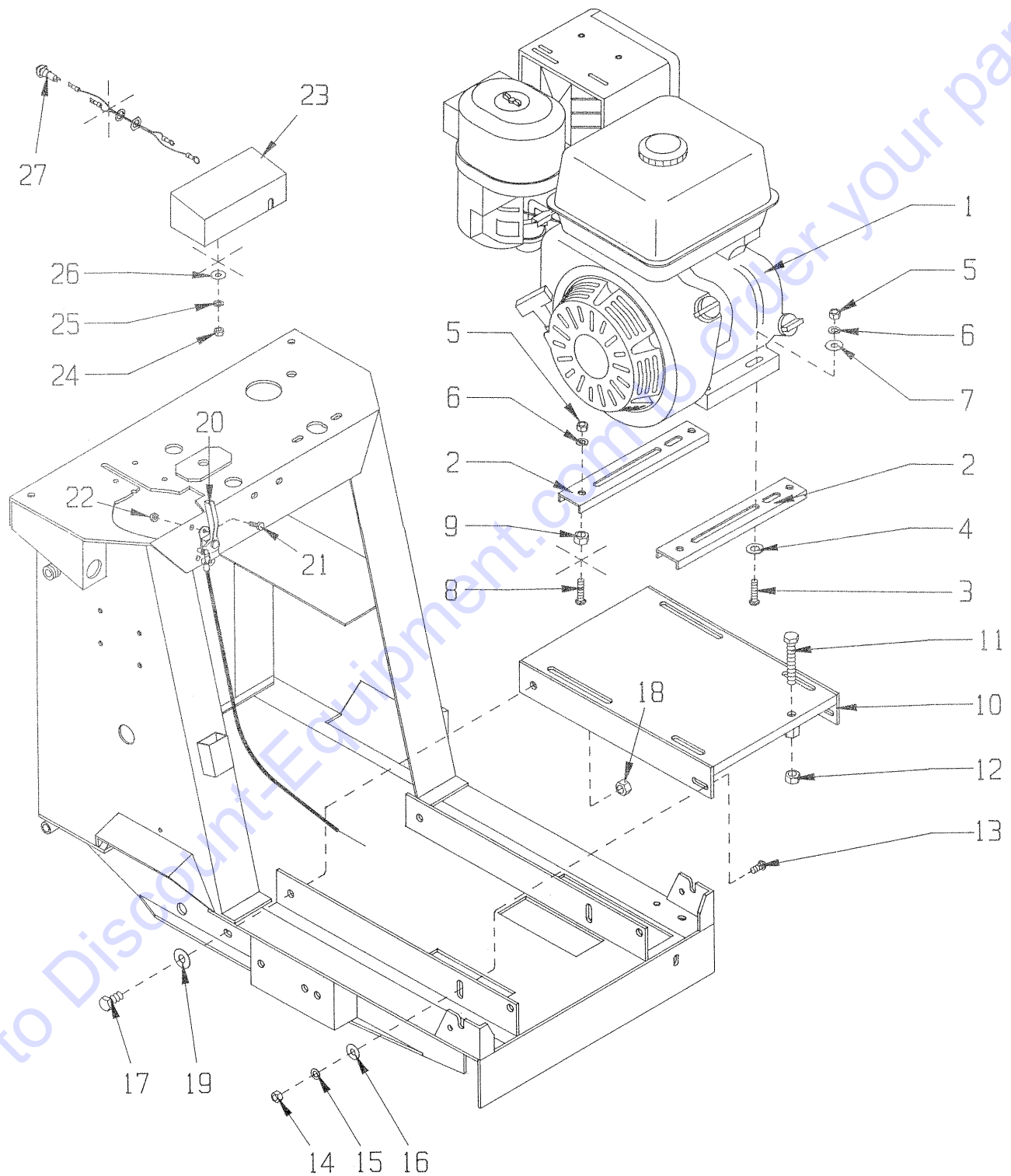
PARTS LISTING - ILLUSTRATION 5: BELT DRIVE GROUPING

Item #	Part #	Description	Qty.
*1		Belt, Arbor (Refer to Chart)	3 / 4
	10249	AX-31 (Qty. 3)	
	81007	AX-33 (Qty. 3)	
	10233	AX-34 (Qty. 3)	
	10223	AX-36 (Qty. 3)	
	10258	3VX-375 (Qty. 4)	
	10269	3VX-400 (Qty. 4)	
2		Sheave (Refer to Chart)	1
	80027	3"OD x 3Gr.A x 1"Bore W/ Hub	
	80027S	3"OD x 3Gr.A x 1"Bore W/O Hub	
	81006	3"OD x 3Gr.A x 1-1/8"Bore	
	10504	3.65"OD x 4Gr.3V x SH (Requires SH Style Bushing)	
3		Bushing, Sheave	1
	10075	SH x 1-7/16"Bore (Kohler Mag. 20 HP)	
	10508	SH x 1-3/8"Bore (Baldor 10 HP)	
4		Key	1
	10115	1/4"Sq. x 2"L	
	10307	1/4"Sq. x 2-1/4"L	
	10148	3/8 x 1/4 x 2"L	
5		Bushing, Taper-Lock (Refer to Chart)	1
	10544	1"Bore	
	10529	1-1/8"Bore	
	10537	1-3/8"Bore	
	10531	1-7/16"Bore	
6	10528	Sheave 4.15"OD x 1Gr.AB x Taper-Lock (Requires Taper-Lock Style Bushing)	
*7		Belt, Transmission (Refer to Chart)	1
	10242	AP-41	
	10240	AP-44	
	10229	4L-440	
	10218	4L-450	
8	50115	Pulley, Idler 3"OD x 1Gr.AB x 3/8"Bore	1
9		Screw, Cap	1
	10029	3/8-24 x 1-3/4 (SS-18)	
	10336	3/8-24 x 2-1/4 (SS-16)	
10	10011	Spacer, Steel 5/8"OD x 3/8"ID x 3/8"	1
11	10113	Spacer, Steel 9/16"OD x 3/8"ID x 7/32" (Required for SS-16 Only)	
12	10004	Nut, Lock 3/8-24	1
13	51052	Idler Arm	1
14	10308	Screw, Cap 1/2-20 x 1-1/2	1
15	10312	Washer, Flat 1/2	2
16	10205	Nut, Lock 1/2-20	1
17	50074	Spring, Ext. 1"OD x 3-15/16"Inside Ends	1

* Note:

Due to variances, belt sizes may be different than listed on chart. Always refer to the NAME PLATE on the machine for belt sizes before ordering.

ILLUSTRATION 6: ENGINE GROUPING FOR MODEL SS-16



PARTS LISTING - ILLUSTRATION 6:
ENGINE GROUPING FOR MODEL SS-16

Item #	Part #	Description	Qty.
1		Engine	1
	79045	Honda GX340 11 HP (Shown)	
	15003	Robin EY44W 10.5HP	
	15028	Kohler Magnum M14T 14 HP	
	15024	Kohler Magnum M16S 16 HP Elec. Start	
2	51014	Mount Brkt., Channel	2
3	10087	Bolt, Carriage 3/8-16 x 1-3/4	4
4	10040	Washer, Garret 1"OD x 17/32"ID x .054"T	4
5	10404	Nut 3/8-16	8
6	10811	Washer, Lock 3/8	8
7	10025	Washer, Flat 3/8	4
8	10804	Bolt, Carriage 3/8-16 x 1-1/2	4
9	10417	Nut 1/2-13	4
10	51008	Mount, Engine	1
11	10340	Bolt, Tap 1/2-13 x 3 (Full Thread)	1
12	10417	Nut 1/2-13	1
13	10802	Bolt, Carriage 3/8-16 x 1	2
14	10404	Nut 3/8-16	2
15	10811	Washer, Lock 3/8	2
16	10025	Washer, Flat 3/8	2
17	10321	Screw, Cap 1/2-20 x 1-1/4	1
18	10205	Nut, Lock 1/2-20	1
19	10312	Washer, Flat 1/2	1
20	3611	Cable, Throttle, Lever-Type 54" (Note: Trim to appropriate length)	1
21	10018	Screw, Cap 1/4-20 x 3/4	2
22	10861	Nut, Keps 1/4-20	2
23	51056	Console, Mini	1
24	10054	Nut 5/16-18	2
25	10801	Washer, Lock 5/16	2
26	10213	Washer, Flat 5/16	2
27	10992	Switch, Push Button Momentary Red SPST	1

PARTS FINDER

**Search Website
by Part Number**



**Search Manual
Library For Parts
Manual & Lookup Part
Numbers – Purchase
or Request Quote**

Search Manuals

Enter your information to help us find the right parts manual for your machine.

* Brand:

* Model:

* Serial:

* Part Number:

SEARCH

**Can't Find Part or
Manual? Request Help
by Manufacturer,
Model & Description**

Parts Order Form

Please fill in the following information to help us find the right part for your machine.

Manufacturer:	<input type="text"/>
Model:	<input type="text"/>
Description:	<input type="text"/>
Part Number:	<input type="text"/>
Quantity:	<input type="text"/>
Notes:	<input type="text"/>

Submit

Discount-Equipment.com is your online resource for quality parts & equipment.

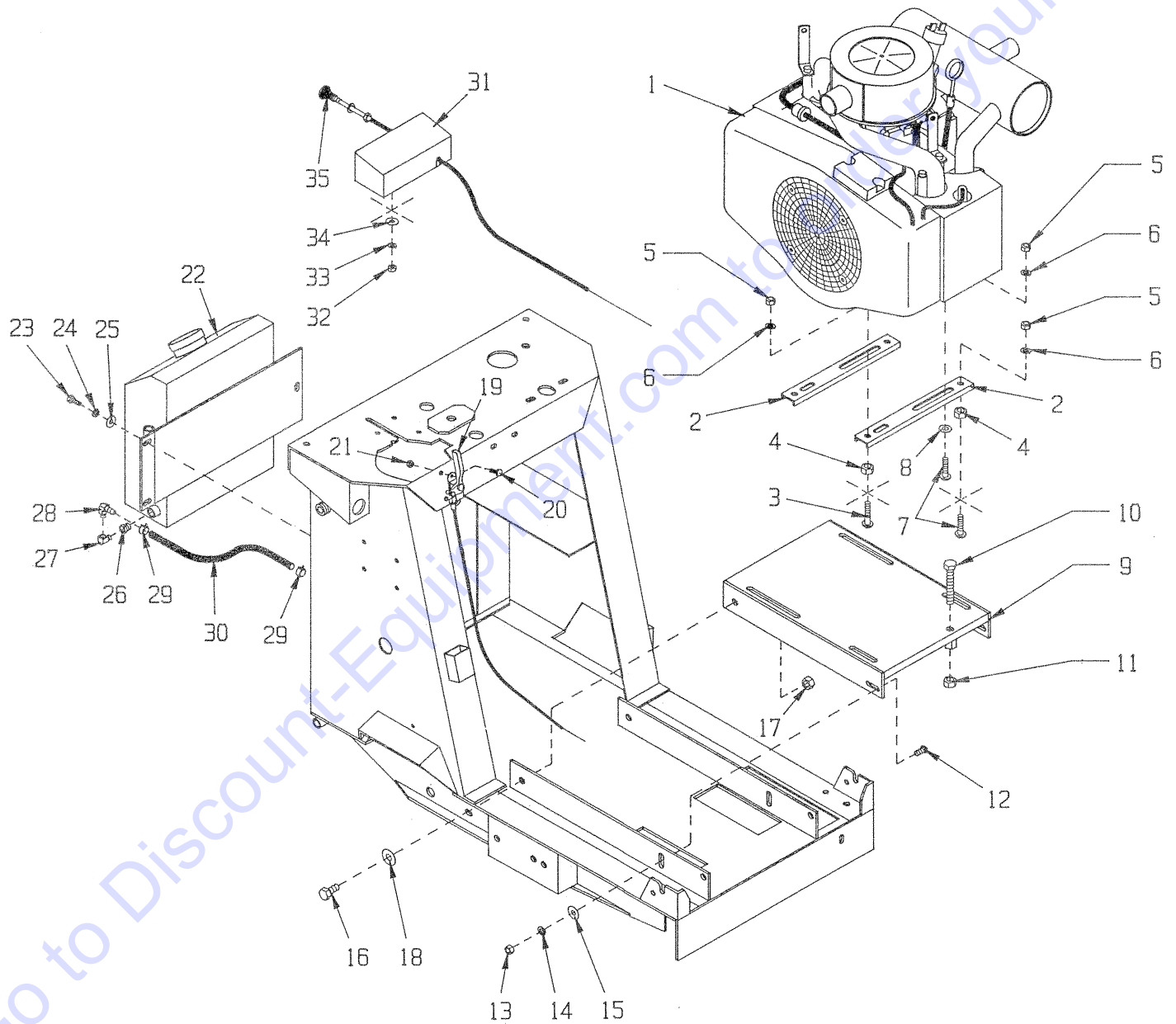
Florida: **561-964-4949** Outside Florida TOLL FREE: **877-690-3101**

Need parts?

Click on this link: <http://www.discount-equipment.com/category/5443-parts/> and choose one of the options to help get the right parts and equipment you are looking for. Please have the machine model and serial number available in order to help us get you the correct parts. If you don't find the part on the website or on one of the online manuals, please fill out the request form and one of our experienced staff members will get back to you with a quote for the right part that your machine needs.

We sell worldwide for the brands: Genie, Terex, JLG, MultiQuip, Mikasa, Essick, Whiteman, Mayco, Toro Stone, Diamond Products, Generac Magnum, Airman, Haulotte, Barreto, Power Blanket, Nifty Lift, Atlas Copco, Chicago Pneumatic, Allmand, Miller Curber, Skyjack, Lull, Skytrak, Tsurumi, Husquvarna Target, Stow, Wacker, Sakai, Mi-T-M, Sullair, Basic, Dynapac, MBW, Weber, Bartell, Bennar Newman, Haulotte, Ditch Runner, Menegotti, Morrison, Contec, Buddy, Crown, Edco, Wyco, Bomag, Laymor, EZ Trench, Bil-Jax, F.S. Curtis, Gehl Pavers, Heli, Honda, ICS/PowerGrit, IHI, Partner, Imer, Clipper, MMD, Koshin, Rice, CH&E, General Equipment, Amida, Coleman, NAC, Gradall, Square Shooter, Kent, Stanley, Tamco, Toku, Hatz, Kohler, Robin, Wisconsin, Northrock, Oztec, Toker TK, Rol-Air, APT, Wylie, Ingersoll Rand / Doosan, Innovatech, Con X, Ammann, Mecalac, Makinex, Smith Surface Prep, Small Line, Wanco, Yanmar

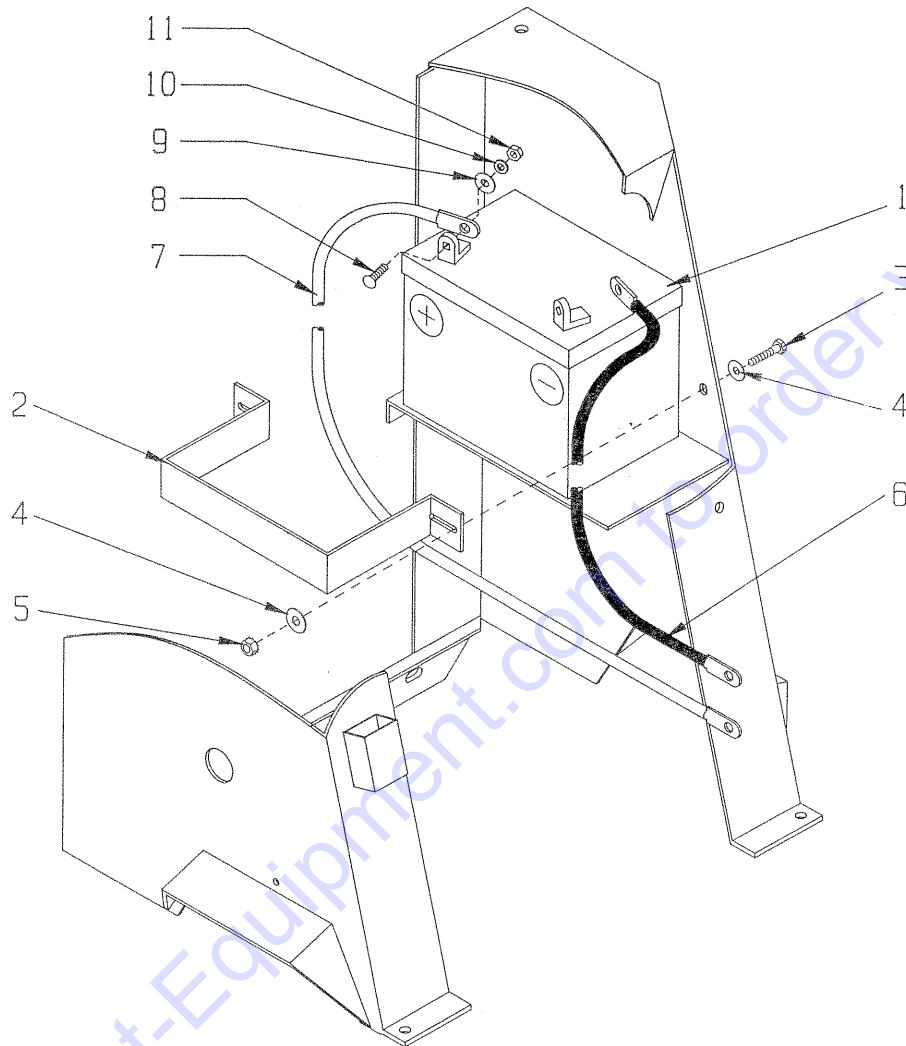
ILLUSTRATION 7: ENGINE GROUPING FOR MODEL SS-18



PARTS LISTING - ILLUSTRATION 7:
ENGINE GROUPING FOR MODEL SS-18

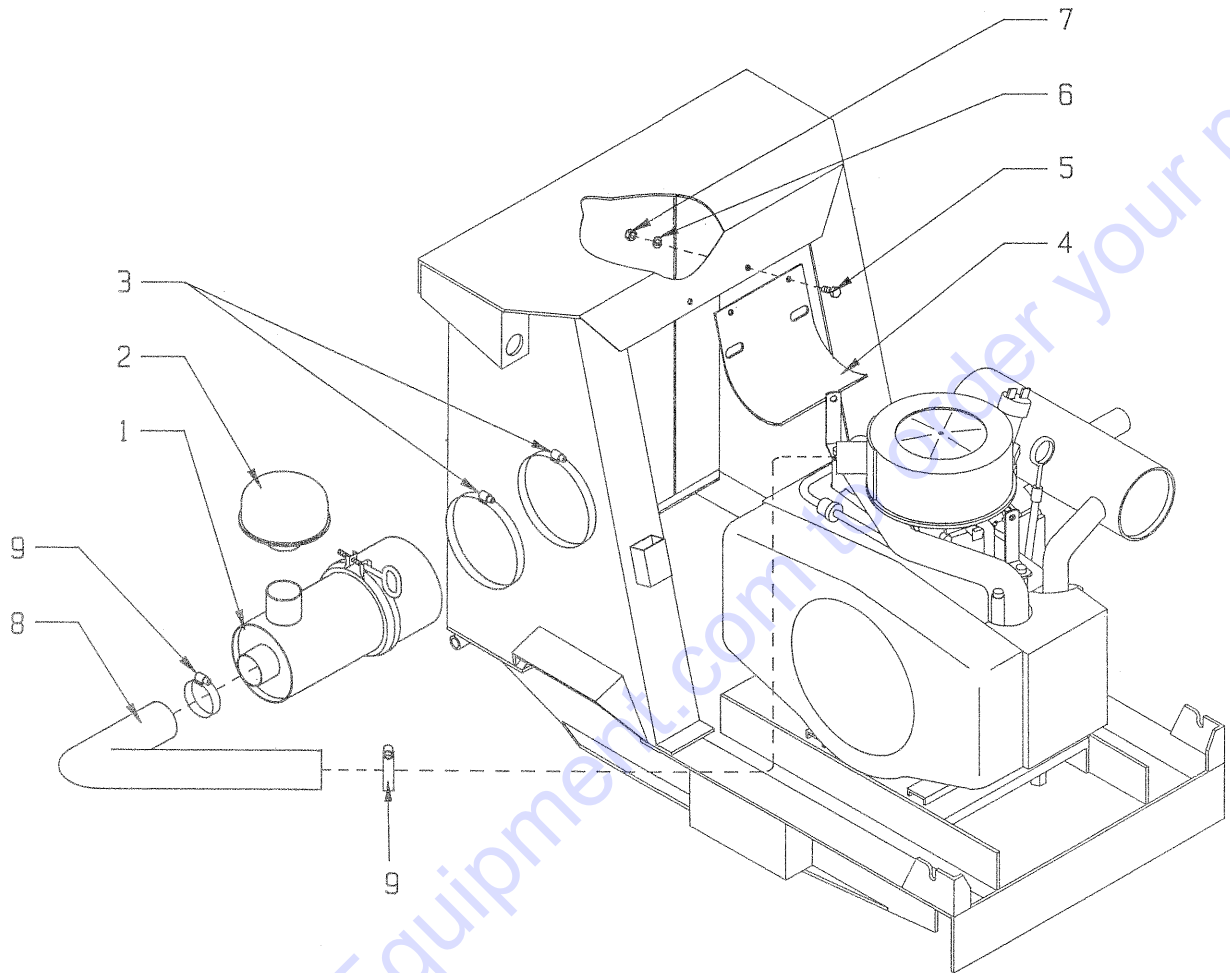
Item #	Part #	Description	Qty.
1		Engine	1
	15031	Brigg & Stratton Vanguard 18 HP	
	15007	Kohler Magnum M18S 18 HP (Shown)	
	15020	Kohler Magnum M20S 20 HP	
2	51014	Mount Brkt., Channel	2
3	10087	Bolt, Carriage 3/8-16 x 1-3/4	2
4	10417	Nut 1/2-13	4
5	10404	Nut 3/8-16	6
6	10811	Washer, Lock 3/8	6
7	10804	Bolt, Carriage 3/8-16 x 1-1/2	4
8	10040	Washer, Garret 1"OD x 17/32"ID x .054"T	2
9	51008	Mount, Engine	1
10	10340	Bolt, Tap 1/2-13 x 3 (Full Thread)	1
11	10417	Nut 1/2-13	1
12	10802	Bolt, Carriage 3/8-16 x 1	2
13	10404	Nut 3/8-16	2
14	10811	Washer, Lock 3/8	2
15	10025	Washer, Flat 3/8	2
16	10321	Screw, Cap 1/2-20 x 1-1/4	1
17	10205	Nut, Lock 1/2-20	1
18	10312	Washer, Flat 1/2	1
19	3611	Cable, Throttle, Lever-Type 54" (Note: Trim to appropriate length)	1
20	10018	Screw, Cap 1/4-20 x 3/4	2
21	10861	Nut, Keps 1/4-20	2
22	51042	Tank, Gas 1-1/2 Gal.	1
23	10806	Screw, Cap 5/16-18 x 1	3
24	10801	Washer, Lock 5/16	3
25	10213	Washer, Flat 5/16	3
26	10718	Bushing, Hex 1/4 x 1/8 NPT (Brass)	1
27	40015	Elbow, Street 1/8 NPT x 90 (Brass)	1
28	10771	Barb Elbow 90, 1/4Hose x 1/8MPT (Brass)	1
29	10763	Clamp, Hose Spring 7/16"	2
30	61063	Hose, Fuel 1/4"ID x 24"L	1
31	51056	Console, Mini	1
32	10054	Nut 5/16-18	2
33	10801	Washer, Lock 5/16	2
34	10213	Washer, Flat 5/16	2
35	50443	Cable, Choke 54" (Trim to length)	1

ILLUSTRATION 8: BATTERY GROUPING FOR ELEC. START UNITS



Item #	Part #	Description	Qty.
1	84011	Battery 12 Volt/295 CCA	1
2	50091	Clamp, Battery Hold Down	1
3	10905	Screw, Cap 1/4-20	2
4	10602	Washer, Flat 1/4	4
5	10861	Nut, Keps 1/4-20	2
6	50117B	Cable, Eye-Eye 4 Ga. x 24" Black (Neg.)	1
7		Cable, Eye-Eye (Pos.)	1
	61064	Eye-Eye 4 Ga. x 40" Red (Kohler Mag. 18 or 20 HP)	
	50437	Eye-Eye 4 Ga. x 58" Red (Kohler Mag. 14 or 16 HP, B&S 18 HP)	
8	10412	Bolt, Carriage 1/4-20 x 1	2
9	10602	Washer, Flat 1/4	2
10	10038	Washer, Lock 1/4	2
11	10013	Nut 1/4-20	2

ILLUSTRATION 9: H.D. AIR CLEANER GROUPING (OPTIONAL) PART #51061

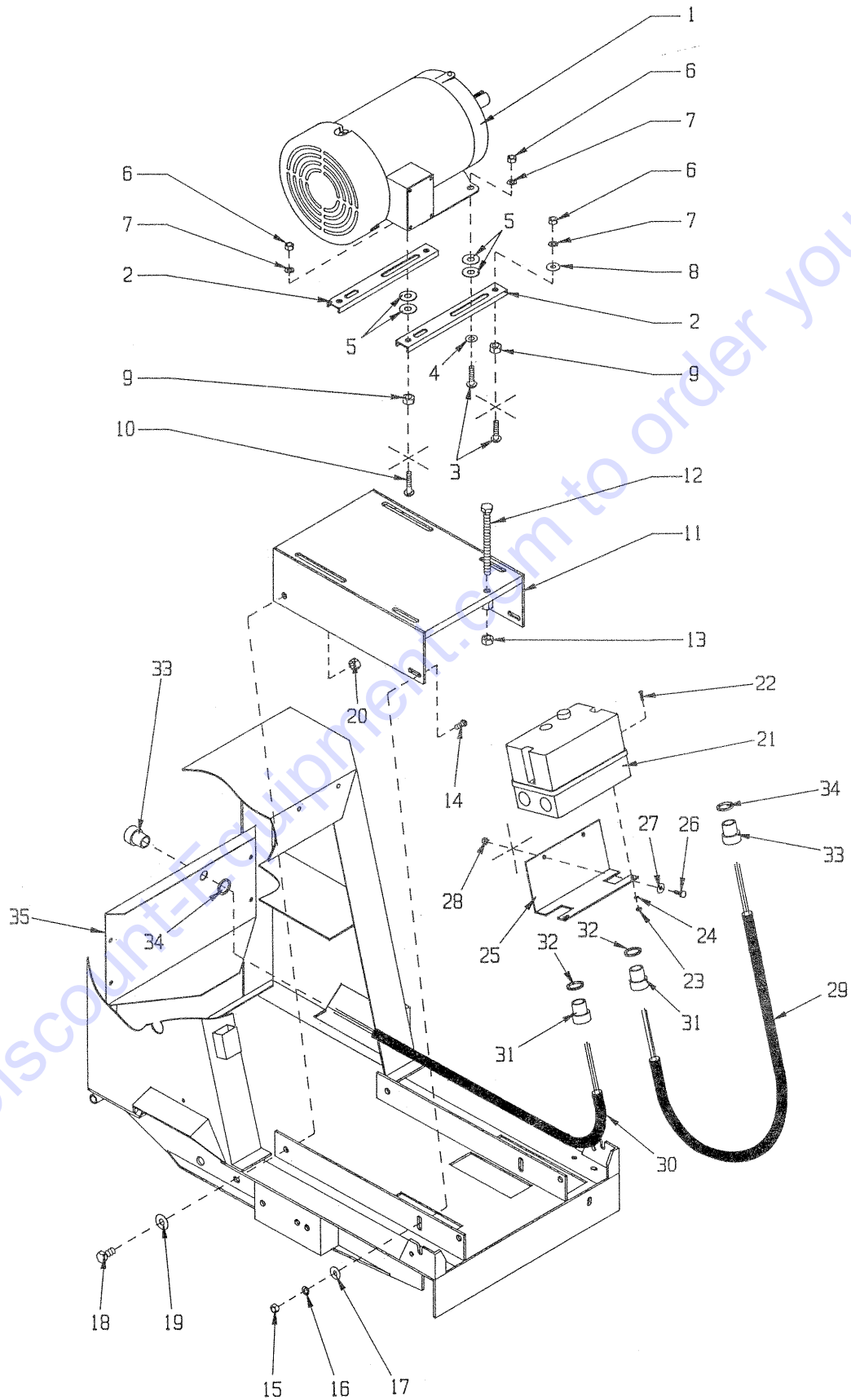


Item #	Part #	Description	Qty.
1	10612	Air Cleaner Assy., Cyclopac, FWG04-2503 (Includes Air Filter Element)	1
	10611	Element, Air Filter, Cyclopac P10-2745	
2	10626	Hood, Air Cleaner Inlet 1-3/4"ID	1
3	10712	Clamp, Hose, Adj. to 5", Size 72	2
4	61101	Mount Bracket, Air Cleaner, Cyclopac	1
5	10053	Screw, Cap 5/16-18 x 3/4	2
6	10801	Washer, Lock 5/16	2
7	10054	Nut 5/16-18	2
*8	10668	Hose Elbow 1-3/4"ID x 10 x 12 (Must be cut to size.)	1
9	10766	Clamp, Hose, Adj. to 2-1/4", Size 28	2

*** Note:**

Hose Elbow shown is for Kohler Magnum 18 or 20 HP.
Other Engines may require a different hook-up.

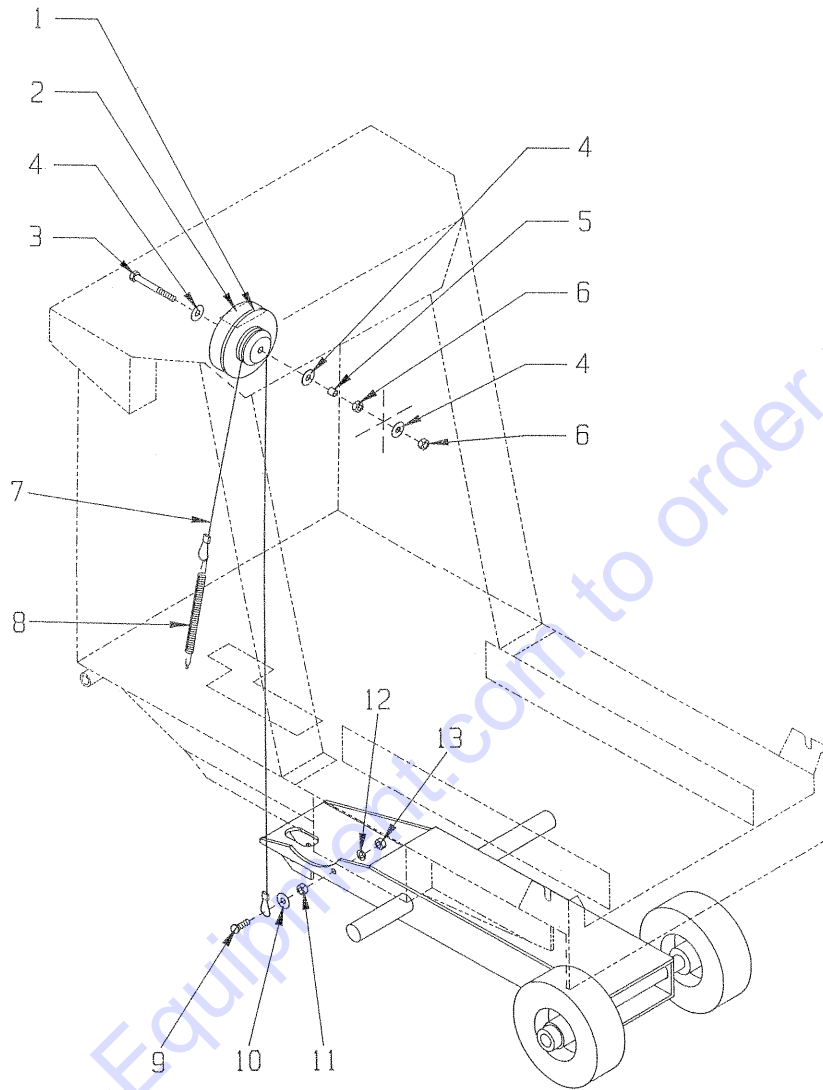
ILLUSTRATION 10: MOTOR GROUPING FOR ELECTRIC UNITS



PARTS LISTING - ILLUSTRATION 10:
MOTOR GROUPING FOR ELECTRIC UNITS

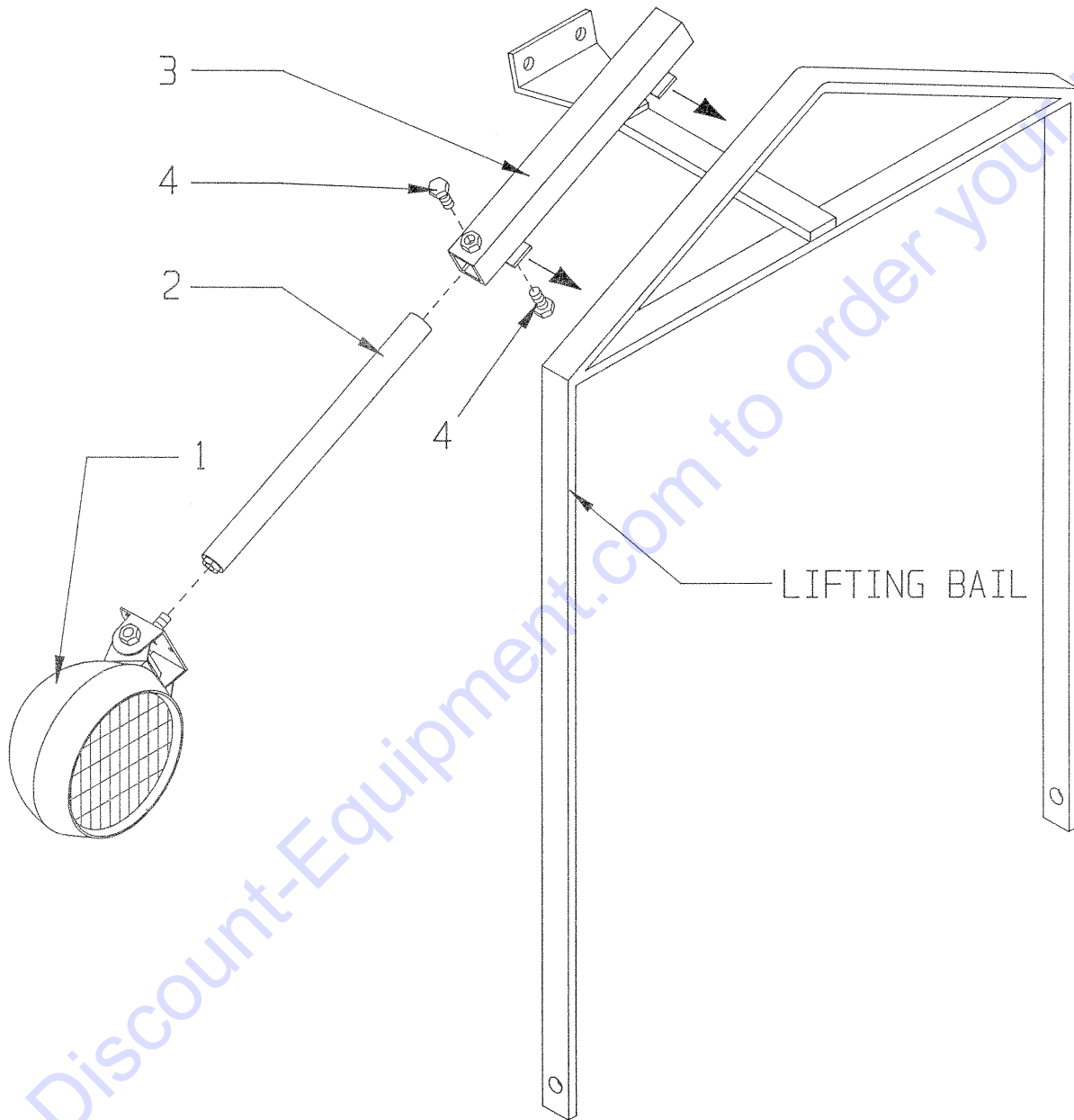
Item #	Part #	Description	Qty.
1		Motor	1
	16002	Baldor 7.5 HP-3 PH, 60 Hz, 3450 RPM	
	16004	Baldor 10 HP-3 PH, 60 Hz, 3450 RPM	
	16010	Baldor 10 HP-3 PH, 50 Hz, 2850 RPM	
2	51014	Mount Brkt., Channel	2
3	10804	Bolt, Carriage 3/8-16 x 1-1/2	4
4	10040	Washer, Garret 1"OD x 17/32"ID x .054"T	2
5	10312	Washer, Flat 1/2	8
6	10404	Nut 3/8-16	6
7	10811	Washer, Lock 3/8	6
8	10025	Washer, Flat 3/8	2
9	10417	Nut 1/2-13	4
10	10917	Bolt, Carriage 3/8-16 x 2	4
11	51063	Mount, Motor	1
12	51067	Bolt, Tap 1/2-13 x 6-1/2 (Full Thread)	1
13	10417	Nut 1/2-13	1
14	10802	Bolt, Carriage 3/8-16 x 1	2
15	10404	Nut 3/8-16	2
16	10811	Washer, Lock 3/8	2
17	10025	Washer, Flat 3/8	2
18	10321	Screw, Cap 1/2-20 x 1-1/4	2
19	10312	Washer, Flat 1/2	2
20	10205	Nut, Lock 1/2	2
21	85045	Starter CBK3-30 W/ Large Enclosure (Specify H.P., Phase, Volts, Amps, Hz)	1
22	10362	Screw, Machine 8-32 x 3/4	2
23	10462	Nut 8-32	2
24	10461	Washer, Lock, Int. Tooth #8	2
25	51064	Mounting Bracket, Starter	1
26	10018	Screw, Cap 1/4-20 x 3/4	2
27	10602	Washer, Flat 1/4	2
28	10861	Nut, Keps 1/4-20	2
29	51065	Wire Harness 10/4 x 55"LOA	1
30	51066	Wire Harness 10/4 x 40"LOA	1
31	41053	Conn., Strain Relief 1/2NPT x .625-.750"	2
32	10790	Conduit Lock Nut 1/2 NP	2
33	10605	Conn., Strain Relief 3/4NPT x .650-.750"	2
34	10740	Conduit Lock Nut 3/4 NP	2
35	51016	Shield, Rear (See Illus. 1 - Item #28)	1
		Note: Requires hole for wire harness	

ILLUSTRATION 11: BLADE DEPTH GAUGE GROUPING (OPTIONAL) PART #51062



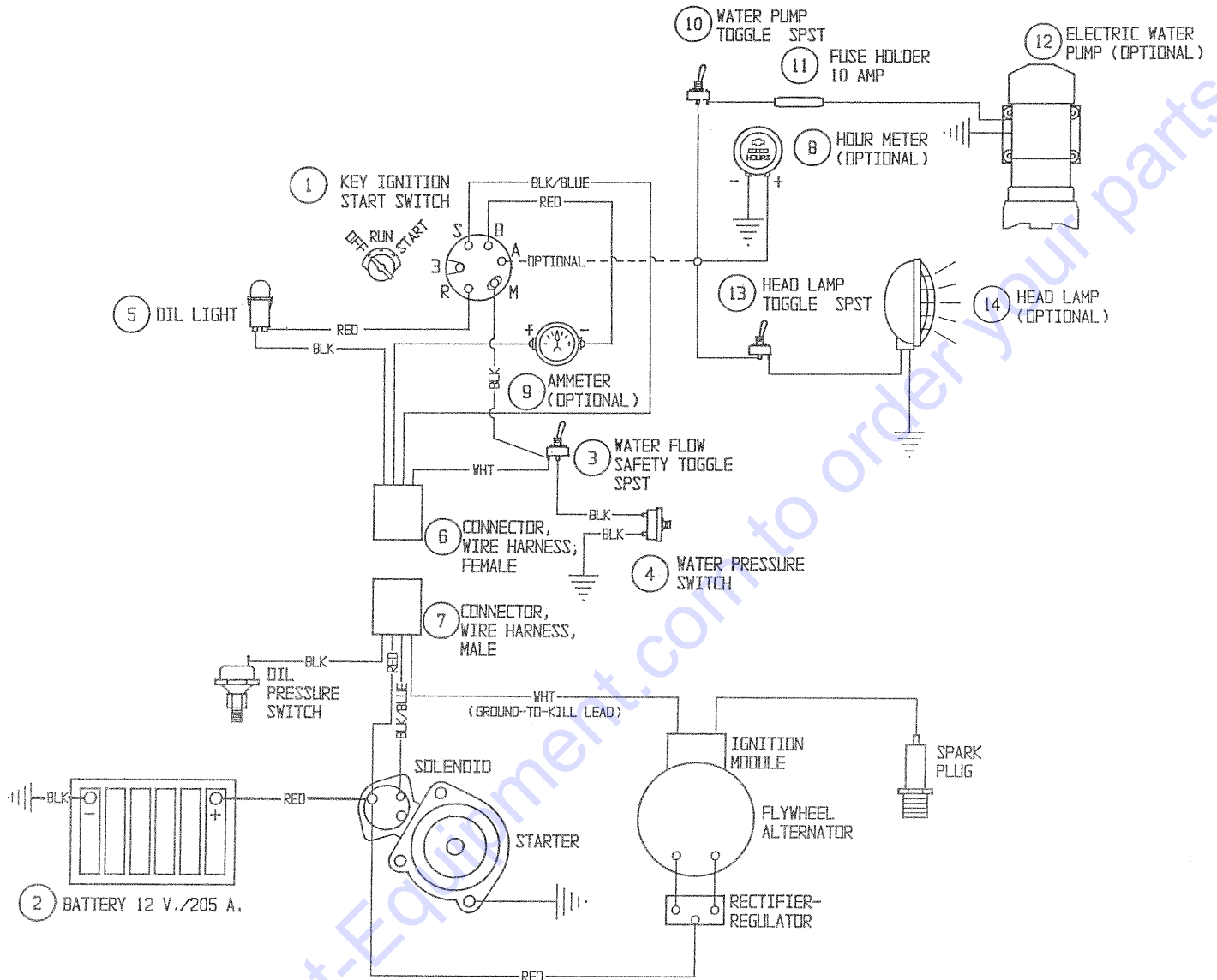
Item #	Part #	Description	Qty.
1	57132	Wheel, Depth Gauge	1
2	51068	Sticker, Depth Gauge	1
3	10815	Screw, Cap 3/8-24 x 2-3/4	1
4	10025	Washer, Flat 3/8	3
5	10011	Spacer, Steel 5/8"OD x 3/8"ID x 3/8"	1
6	10004	Nut, Lock 3/8-24	2
7	51069	Cable, Depth Gauge	1
8	3636	Spring, Ext. 6"	1
9	10819	Bolt, Carriage 5/16-18 x 1	1
10	10213	Washer, Flat 5/16	1
11	10491	Nut, Jam 5/16-18	1
12	10801	Washer, Lock 5/16	1
13	10054	Nut 5/16-18	1

ILLUSTRATION 12: HEAD LAMP GROUPING (OPTIONAL) PART #51070



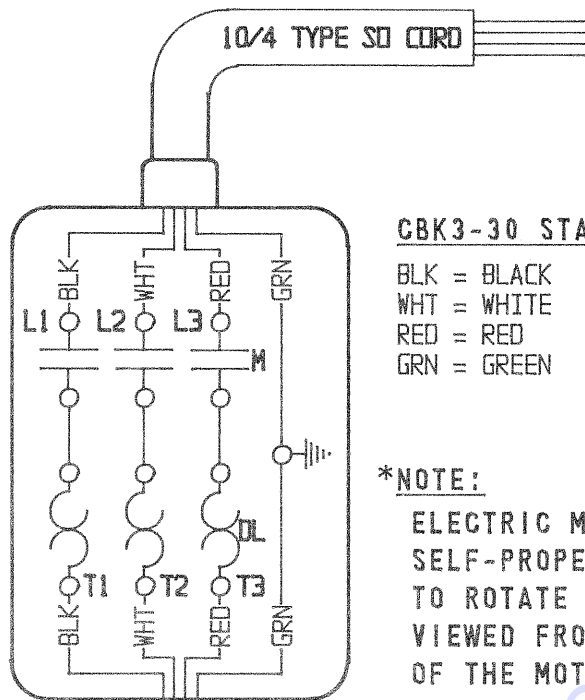
Item #	Part #	Description	Qty.
1	51045	Lamp W/ Universal Brkt., 12 Volt	1
2	51071	Bar, Head Lamp Extension	1
3	51072	Mount, Head Lamp	1
4	10053	Screw, Cap 5/16-18 x 3/4	3

ILLUSTRATION 13: WIRING DIAGRAM FOR ELEC. START UNITS



Item #	Part #	Description	Qty.
1	10650	Switch, Key Ignition	1
2	84011	Battery 12 Volt/295 CCA (Refer to Illus. 8 - Item #1)	1
3	10633	Switch, Toggle SPST (Refer to Illus. 2 - Item #44)	1
4	51030	Switch, Pressure, Mag. Ign. 76061-2 NC (Refer to Illus. 2 - Item #35)	1
5	10651	Light, Oil Pressure	1
6	51049	Connector, Wire Harness, Female	1
7	51048	Connector, Wire Harness, Male	1
8	10637	Meter, Hour	1
9	10631	Meter, 30 Amp	1
10	10633	Switch, Toggle SPST (Refer to Illus. 3 - Item #26)	1
11	50447	Fuse & Holder, 10 Amp (Refer to Illus. 3 - Item #27)	1
12	50470	Pump, Water 12 VDC, Flojet Quad (Refer to Illus. 3 - Item #1)	1
13	10633	Switch, Toggle SPST	1
14	51045	Lamp W/ Universal Brkt., 12 Volt (Refer to Illus. 12 - Item #1)	1

ILLUSTRATION 14: WIRING DIAGRAM FOR ELECTRIC UNITS



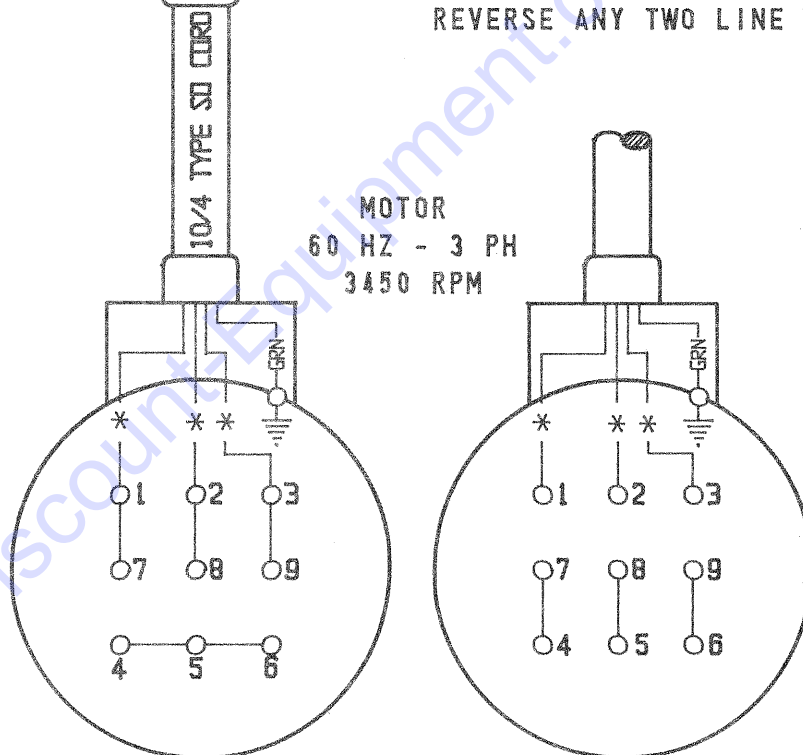
CBK3-30 STARTER

BLK = BLACK
 WHT = WHITE
 RED = RED
 GRN = GREEN

*NOTE:

ELECTRIC MOTORS ON SS-16/18 SELF-PROPELLED SAWS ARE WIRED TO ROTATE COUNTER-CLOCKWISE AS VIEWED FROM THE SHAFT END OF THE MOTOR.

TO REVERSE MOTOR ROTATION REVERSE ANY TWO LINE WIRES.



LOW VOLTAGE
 (208 - 230)

HIGH VOLTAGE
 (460)

PARTS FINDER

**Search Website
by Part Number**



**Search Manual
Library For Parts
Manual & Lookup Part
Numbers – Purchase
or Request Quote**

Search Manuals

Enter your information to help us find the right parts manual for your machine.

* Brand:

* Model:

* Serial:

* Part Number:

SEARCH

**Can't Find Part or
Manual? Request Help
by Manufacturer,
Model & Description**

Parts Order Form

Please fill in the following information to help us find the right part for your machine.

Manufacturer:	<input type="text"/>
Model:	<input type="text"/>
Description:	<input type="text"/>
Part Number:	<input type="text"/>
Quantity:	<input type="text"/>
Notes:	<input type="text"/>

Submit

Discount-Equipment.com is your online resource for quality parts & equipment.

Florida: **561-964-4949** Outside Florida TOLL FREE: **877-690-3101**

Need parts?

Click on this link: <http://www.discount-equipment.com/category/5443-parts/> and choose one of the options to help get the right parts and equipment you are looking for. Please have the machine model and serial number available in order to help us get you the correct parts. If you don't find the part on the website or on one of the online manuals, please fill out the request form and one of our experienced staff members will get back to you with a quote for the right part that your machine needs.

We sell worldwide for the brands: Genie, Terex, JLG, MultiQuip, Mikasa, Essick, Whiteman, Mayco, Toro Stone, Diamond Products, Generac Magnum, Airman, Haulotte, Barreto, Power Blanket, Nifty Lift, Atlas Copco, Chicago Pneumatic, Allmand, Miller Curber, Skyjack, Lull, Skytrak, Tsurumi, Husquvarna Target, Stow, Wacker, Sakai, Mi-T-M, Sullair, Basic, Dynapac, MBW, Weber, Bartell, Bennar Newman, Haulotte, Ditch Runner, Menegotti, Morrison, Contec, Buddy, Crown, Edco, Wyco, Bomag, Laymor, EZ Trench, Bil-Jax, F.S. Curtis, Gehl Pavers, Heli, Honda, ICS/PowerGrit, IHI, Partner, Imer, Clipper, MMD, Koshin, Rice, CH&E, General Equipment, Amida, Coleman, NAC, Gradall, Square Shooter, Kent, Stanley, Tamco, Toku, Hatz, Kohler, Robin, Wisconsin, Northrock, Oztec, Toker TK, Rol-Air, APT, Wylie, Ingersoll Rand / Doosan, Innovatech, Con X, Ammann, Mecalac, Makinex, Smith Surface Prep, Small Line, Wanco, Yanmar