



REVISED STARTING
SERIAL # 100610001

PARTS LIST MANUAL 36" CORE DRILL RIGS



SKU #	MODEL #	VACUUM PUMP	DRILL MOTOR	SPEED/RPM
97220EV	3620	INCLUDED	MILWAUKEE DYMO DRILL 20 AMP, 120 VOLT, 60 HZ	2 SPEED 300/600
97220E	3620	NOT INCLUDED		
97200EV	3615	INCLUDED	MILWAUKEE DYMO DRILL 15 AMP, 120 VOLT, 60 HZ	2 SPEED 375/750
97200E	3615	NOT INCLUDED		



A Division of Equipment Development Company, Inc.

PARTS FINDER

**Search Website
by Part Number**



**Search Manual
Library For Parts
Manual & Lookup Part
Numbers – Purchase
or Request Quote**

Search Manuals

Enter your information to search for a manual or to purchase a manual or parts.

* Brand:

* Model:

* Serial:

* Part Number:

SEARCH

**Can't Find Part or
Manual? Request Help
by Manufacturer,
Model & Description**

Parts Order Form

Please fill in the following information to request help finding a part or manual.

Manufacturer:

Model:

Description:

Quantity:

Part Number:

Part Name:

Part Description:

Part Category:

Part Location:

Part Status:

Part Condition:

Part Material:

Part Color:

Part Weight:

Part Dimensions:

Part Price:

Part Lead Time:

Part Availability:

Part Notes:

Submit

Discount-Equipment.com is your online resource for quality parts & equipment.

Florida: **561-964-4949** Outside Florida TOLL FREE: **877-690-3101**

Need parts?

Click on this link: <http://www.discount-equipment.com/category/5443-parts/> and choose one of the options to help get the right parts and equipment you are looking for. Please have the machine model and serial number available in order to help us get you the correct parts. If you don't find the part on the website or on one of the online manuals, please fill out the request form and one of our experienced staff members will get back to you with a quote for the right part that your machine needs.

We sell worldwide for the brands: Genie, Terex, JLG, MultiQuip, Mikasa, Essick, Whiteman, Mayco, Toro Stone, Diamond Products, Generac Magnum, Airman, Haulotte, Barreto, Power Blanket, Nifty Lift, Atlas Copco, Chicago Pneumatic, Allmand, Miller Curber, Skyjack, Lull, Skytrak, Tsurumi, Husquvarna Target, Stow, Wacker, Sakai, Mi-T-M, Sullair, Basic, Dynapac, MBW, Weber, Bartell, Bennar Newman, Haulotte, Ditch Runner, Menegotti, Morrison, Contec, Buddy, Crown, Edco, Wyco, Bomag, Laymor, EZ Trench, Bil-Jax, F.S. Curtis, Gehl Pavers, Heli, Honda, ICS/PowerGrit, IHI, Partner, Imer, Clipper, MMD, Koshin, Rice, CH&E, General Equipment, Amida, Coleman, NAC, Gradall, Square Shooter, Kent, Stanley, Tamco, Toku, Hatz, Kohler, Robin, Wisconsin, Northrock, Oztec, Toker TK, Rol-Air, APT, Wylie, Ingersoll Rand / Doosan, Innovatech, Con X, Ammann, Mecalac, Makinex, Smith Surface Prep, Small Line, Wanco, Yanmar

READ AND UNDERSTAND THE OPERATORS INSTRUCTION MANUAL THOROUGHLY BEFORE ATTEMPTING TO OPERATE THIS EQUIPMENT. Death or serious injury could occur if this machine is used improperly.



SAFETY MESSAGES



The safety instructions are preceded by a graphic alert message of DANGER, WARNING, or CAUTION.



Indicates an imminent hazard which, if not avoided, will result in death or serious injury.



Indicates an imminent hazard which, if not avoided, can result in death or serious injury.



Indicates hazards which, if not avoided, could result in serious injury and or damage to the equipment.

GASOLINE Powered Equipment



- Do not operate gasoline powered equipment without adequate ventilation. Carbon monoxide is an invisible, odorless gas that can kill.

ELECTRICAL Powered Equipment



- ELECTRICAL HAZARD** - Be sure equipment is properly grounded. Failure to comply could kill or result in serious injury.



The engine exhaust from this product contains chemicals known to the State of California to cause cancer, birth defects or other reproductive harm.

GENERAL INSTRUCTIONS



- You must read and understand the operators instruction manual and all other manuals associated with this machine. For your safety and the safety of others around you, it is extremely important to fully understand how to operate this machine in the way it was intended. Different model machines or older/newer versions of the same model may have different parts and controls that you need to understand. If instructions are not readable or available DO NOT USE this machine and contact Discount-equipment for a replacement Manual.
- You must be able to physically handle the bulk weight and power of this machine. If not properly controlled this machine can cause death or serious injury.
- Do not operate this machine in an impaired mental state. You must be able to exercise good judgement and reactions to maintain a safe working environment.
- This is a "one person" machine which means only one operator can be operating the machine at any one time. For the safety of others, maintain a safe operating distance to other personnel. Your work area should be defined and appropriately marked so bystanders and coworkers do not stand or walk near this machine and end up seriously injured by flying debris or exposing them to harmful noise or dust.
- This equipment is for Commercial use. Although this is a "one person" machine your work team should understand how to shut this machine off and quickly get medical help if an accident strikes the operator.
- Keep all guards in place during operation. The guards are to provide protection from inadvertent contact with dangerous moving parts, pinch points, or hot surfaces.
- Wear appropriate Personal Protective Equipment (PPE) including safety glasses, safety boots, work gloves, respiratory protection, hearing protection, and head protection. Do not wear loose clothing that can get tangled in moving parts. Failure to do so could result

in dismemberment or death. **Wear an approved respirator when removing hazardous materials or when grinding/cutting dry materials. Some dust particles such as concrete dust can contain silicate particles which can cause silicosis (a very serious lung disease). Contact NIOSH or OSHA for further details. When wet grinding/cutting, avoid contact with the concrete/asphalt slurry which can cause serious skin irritations.**

- You must maintain this machine per the maintenance schedule in the operator manual. Remember before adjusting, servicing, or fueling this machine, disconnect the source of power to the machine by disconnecting the spark plug (Gas models), or by unplugging the electrical power cord (electric models) or air hose (Pneumatic models) AT THE MACHINE so you can assure yourself it remains unplugged while you are working on it. Do not modify this machine. Use only genuine EDCO parts and accessories. Repairs and service should be performed by approved EDCO dealers or authorized technicians.
- You should look carefully around the area before you begin work so you can identify potential hazards such as deck inserts, pipes, columns, openings, electrical cords or outlets, or any other objects protruding from the slab surface.
- This machine has no brain so you must use your own. There is no substitute for safety. The safety decals on the machine are to serve as a reminder for information you must already know before you begin using this machine. Take a moment to reread the safety decals each time you use the machine. If your machine is missing any decals, contact Discount-equipment for a replacement.

PARTS LIST MANUAL

36" CORE DRILL RIGS

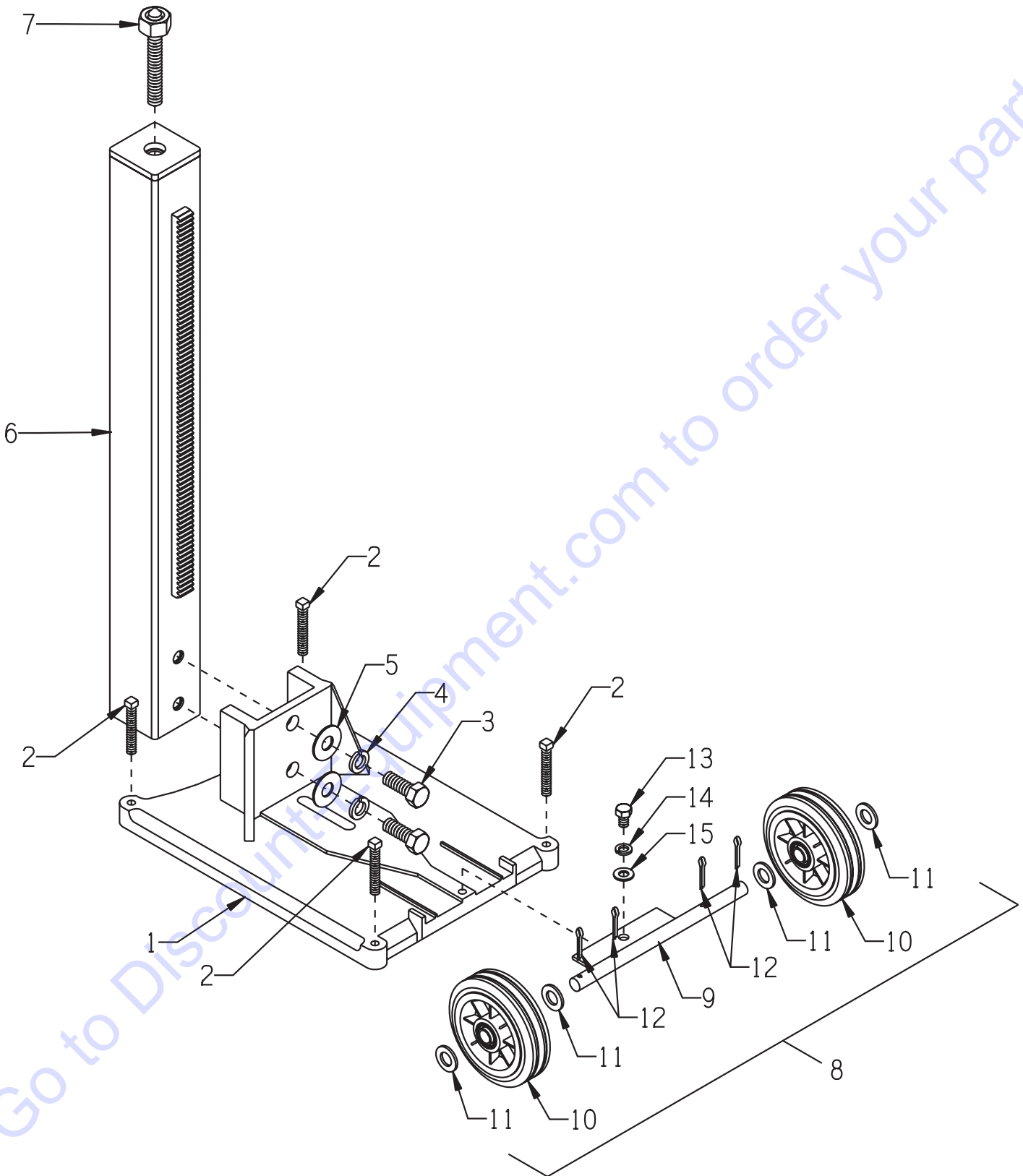
TABLE OF CONTENTS

<u>Section</u>	<u>Page Number</u>
Safety Messages and General Instructions	2
How To Order Replacement Parts	3
Illustration 1: Base and Column Grouping	4, 5
Illustration 2: Vacuum Pump Assembly	6, 7
Illustration 3: Carriage Assembly	8, 9
Illustration 4: Drill Motor Grouping	10, 11
Illustration 5: Motor Mount Kit for 14" Drill Bit	12
Illustration 6: Motor Mount Kit for 16" Drill Bit	13
Illustration 7: Control Box Assembly	14
Illustration 8: Wiring Diagram for Control Box	15
Limited Equipment Warranty of Sale - Terms & Conditions	16 (Back Page)



A Division of Equipment Development Company, Inc.

ILLUSTRATION 1: BASE AND COLUMN GROUPING



PARTS LISTING - ILLUSTRATION 1 : BASE AND COLUMN GROUPING

ITEM #	PART #	DESCRIPTION	QTY.
1	97003	VACUUM BASE, DRILL RIG	1
2	97017	SCREW, SET 1/2-13 X 3 SQ. HD	4
3	97020	SCREW, CAP 3/4-10 X 2	2
4	10489	WASHER, LOCK 3/4	2
5	97021	WASHER, FLAT 3/4 USS	2
6	97040	MAST, 36" FOR SMALL DRILL RIG (COLUMN)	1
7	97050	CEILING JACK, DRILL RIG	1
8	97054K	WHEEL BASE ASSEMBLY (INCLUDES ITEMS 9 THRU 12)	1
9	97054	WHEEL BASE PLATE	1
10	80028	WHEEL 6 X 2 X 3/4"BRG.	2
11	10009	WASHER, FLAT 3/4 SAE	4
12	10306	PIN, COTTER 3/16 X 1-1/2	4
13	10914	SCREW, CAP 1/2-13 X 1	1
14	10045	WASHER, LOCK 1/2	1
15	10312	WASHER, FLAT 1/2 SAE	1

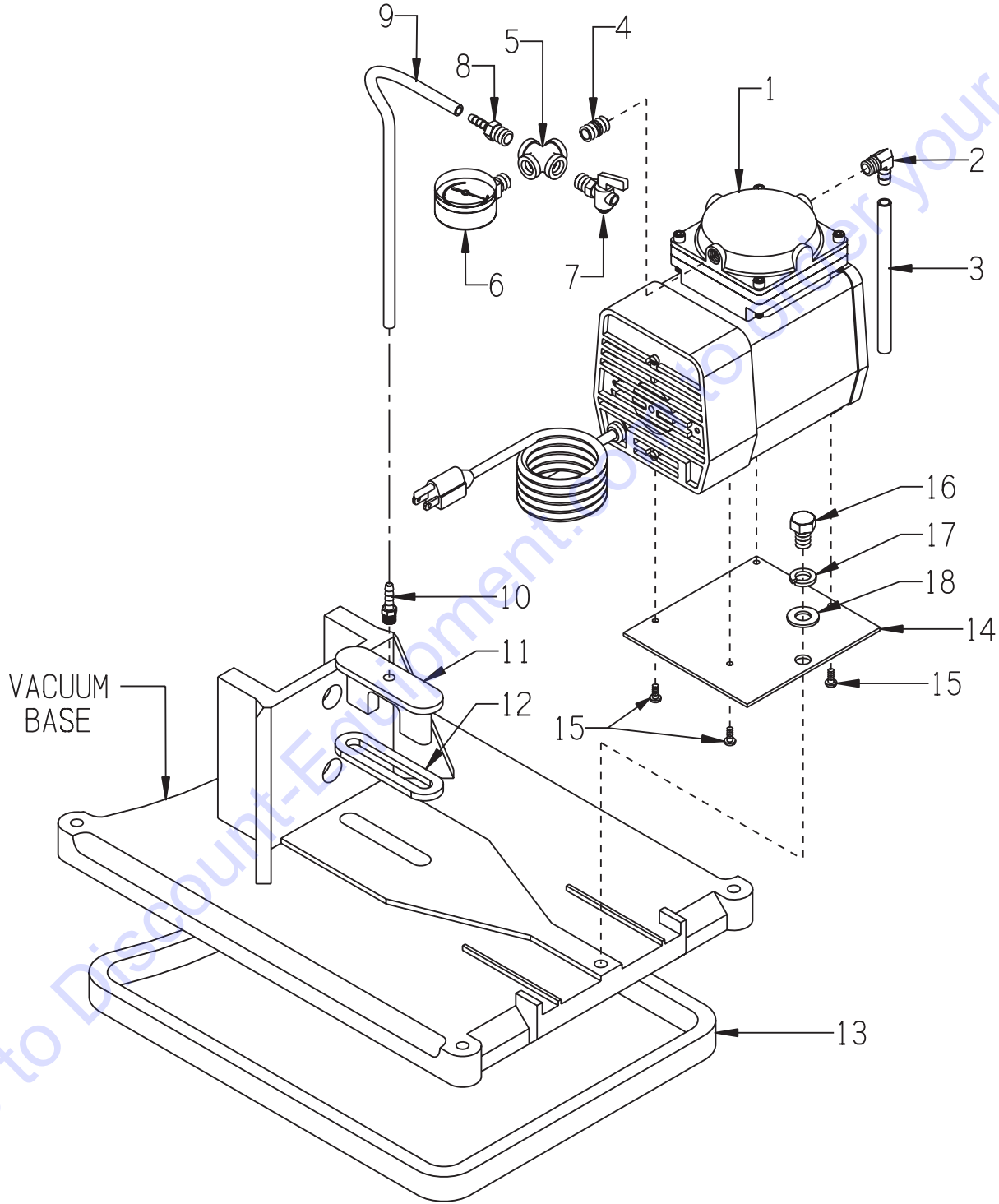


A Division of Equipment Development Company, Inc.

ILLUSTRATION 2 : VACUUM PUMP ASSEMBLY

PART # 97042

NOTE: THE VACUUM PUMP IS NOT INCLUDED ON ALL MODELS



NOTE: THE VACUUM PUMP IS NOT INCLUDED ON ALL MODELS

PARTS LISTING - ILLUSTRATION 2 : VACUUM PUMP ASSEMBLY			
ITEM #	PART #	DESCRIPTION	QTY.
1-18	97042	VACUUM PUMP ASSEMBLY (INCLUDES ITEMS 1 THRU 18)	1
1	97027	COMPRESSOR, 115V, 4.2A, 60HZ, 60PSI	1
2	10799	BARB ELBOW 90, 3/8HOSE X 1/4MPT	1
3	97071	HOSE 5/16"ID X 7/16"OD X 6"L (CLEAR)	1
4	97032	NIPPLE, CLOSE, 1/4"NPT (BRASS)	1
5	97031	CROSS, 1/4" NPT (BRASS)	1
6	97030	GAUGE, VACUUM	1
7	97029	VALVE, SHUT OFF, 1/4"NPT, 150PSI	1
8	97034	BARB, 1/4HOSE X 1/4MPT (BRASS)	1
9	97056	HOSE 1/4"ID X 3/8"OD X 15"L (CLEAR)	1
10	10708	BARB, 1/4HOSE X 1/8MPT (BRASS)	1
11	97008	ANCHOR SLOT INSERT	1
12	97038	GASKET, ANCHOR SLOT	1
13	97037	GASKET, BASE	1
14	97046	MOUNT PLATE, VACUUM PUMP	1
15	10830	SCREW, MACHINE10-32 X 1/2	4
16	10914	SCREW, CAP 1/2-13 X 1	1
17	10045	WASHER, LOCK 1/2	1
18	10312	WASHER, FLAT 1/2 SAE	1



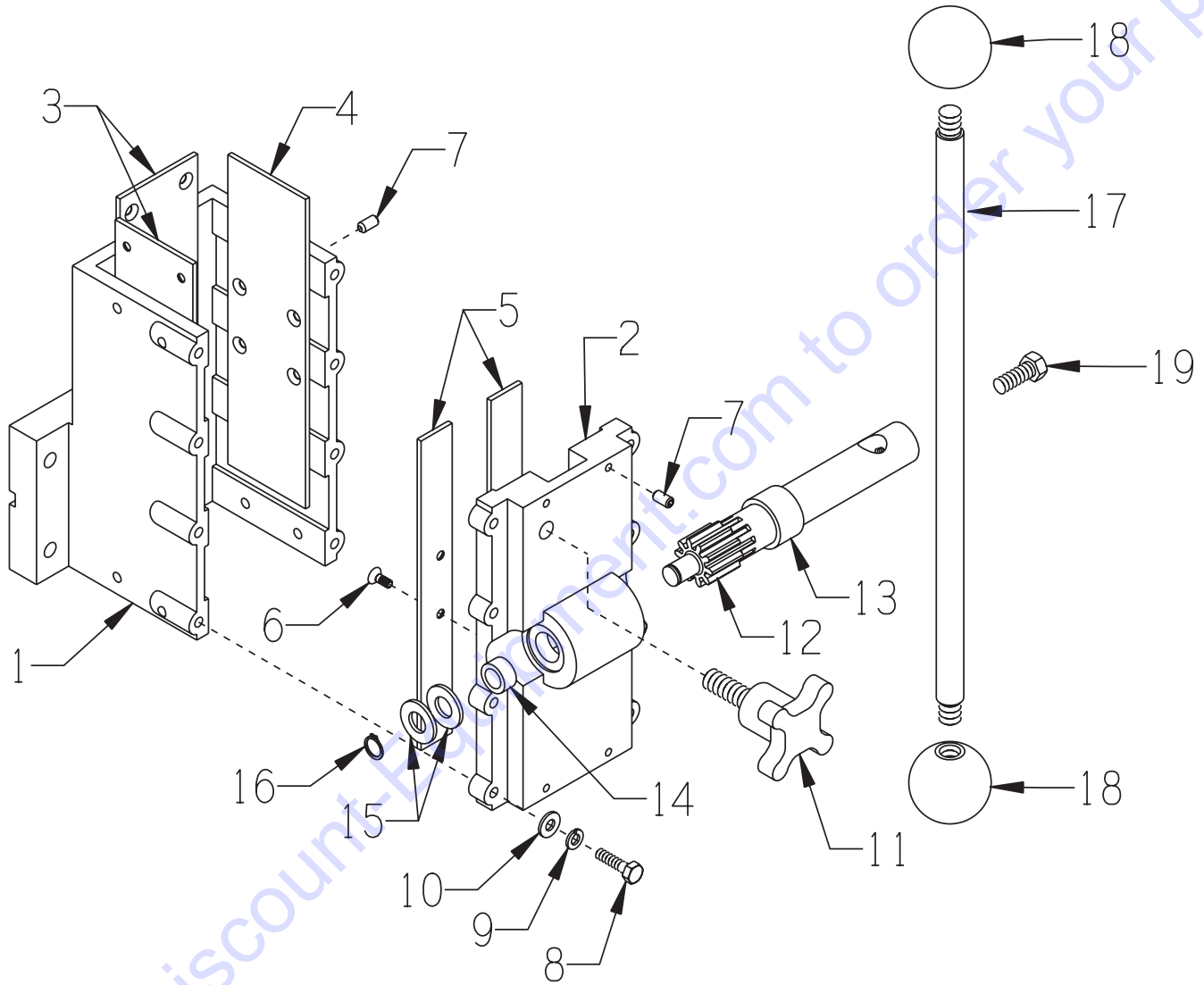
A Division of Equipment Development Company, Inc.

Printed in USA

JWA ©2010

Page 7

ILLUSTRATION 3 : CARRIAGE ASSEMBLY



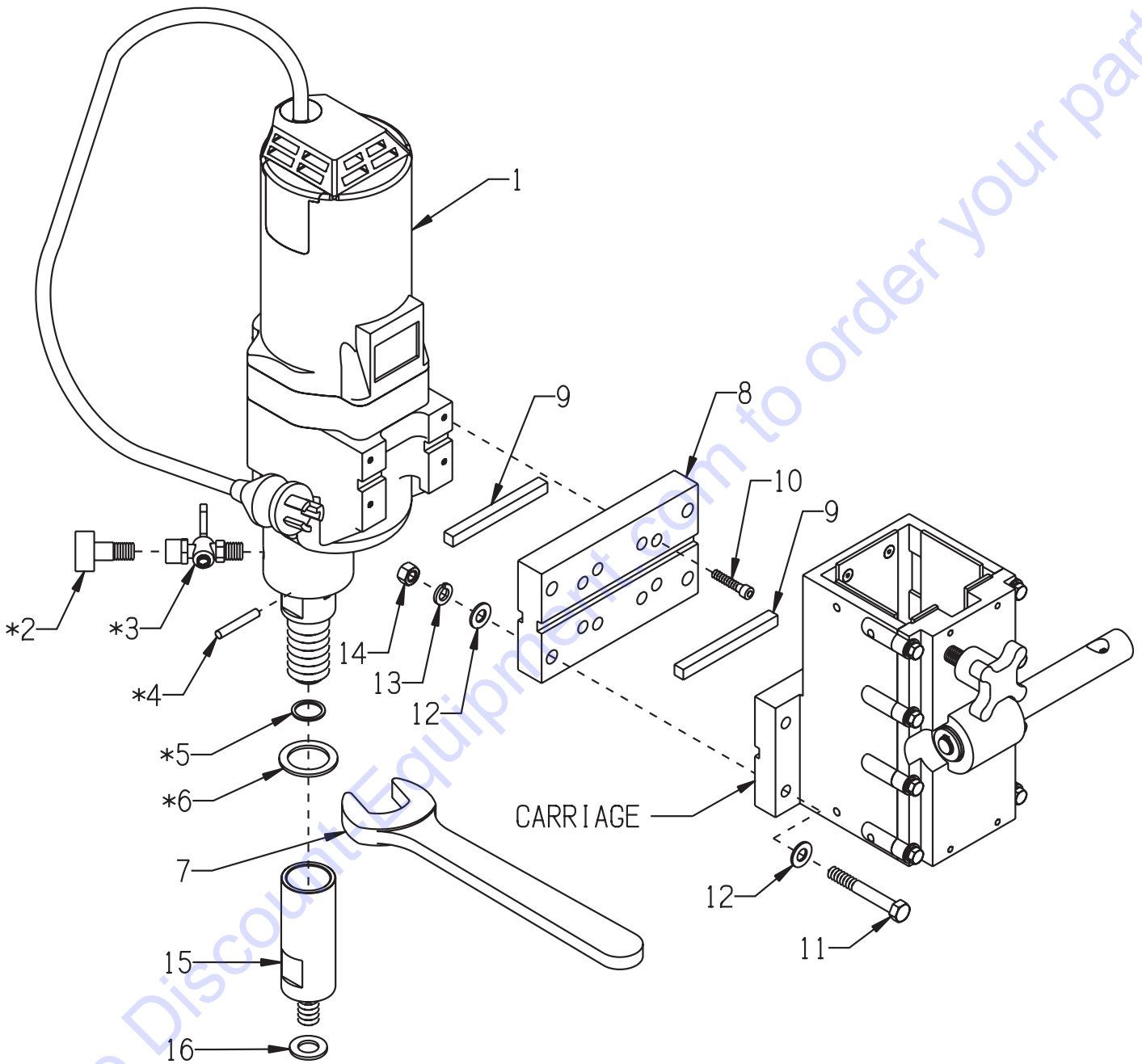
PARTS LISTING - ILLUSTRATION 3 : CARRIAGE ASSEMBLY

ITEM #	PART #	DESCRIPTION	QTY.
1-16	97004A	CARRIAGE ASSEMBLY LESS HANDLE (INCLUDES ITEMS 1 THRU 16)	1
1	97004	CARRIAGE	1
2	97005	CARRIAGE COVER	1
3	97047	WEAR STRIP 2.5 X 8.625 (4 HOLES IN CORNERS)	2
4	97048	WEAR STRIP 2.5 X 8.625 (4 HOLES IN CENTER)	1
5	97049	WEAR STRIP 1.0 X 8.625 (2 HOLES IN CENTER)	2
6	97016	SCREW, FLAT HD MACHINE 10-32 X 1/2 BRASS	16
7	10162	SCREW, SET 1/4-20 X 1/2"	8
8	10031	SCREW, CAP 1/4-20 X 1	8
9	10038	WASHER, LOCK 1/4	8
10	10602	WASHER, FLAT 1/4 SAE	8
11	97025	HANDLE, ALUMINUM 1/2-13 X 1 1/2	1
12	97010	PINION GEAR	1
13	97023	SPACER, BRASS 1 1/4 OD X 1"ID X 3/4	1
14	97024	SPACER, BRASS 3/4OD X 1/2"ID X 3/8	1
15	10312	WASHER, FLAT 1/2 SAE	2
16	97014	RETAINING RING, EXT. 1/2"	1
17	97041	HANDLE 17", SMALL 36" DRILL RIG	1
18	10104	KNOB, BALL 1-7/8 W/ 1/2-13THD, BLK.	2
19	10055	SCREW, CAP 3/8-16 X 1	1



A Division of Equipment Development Company, Inc.

ILLUSTRATION 4 : DRILL MOTOR GROUPING



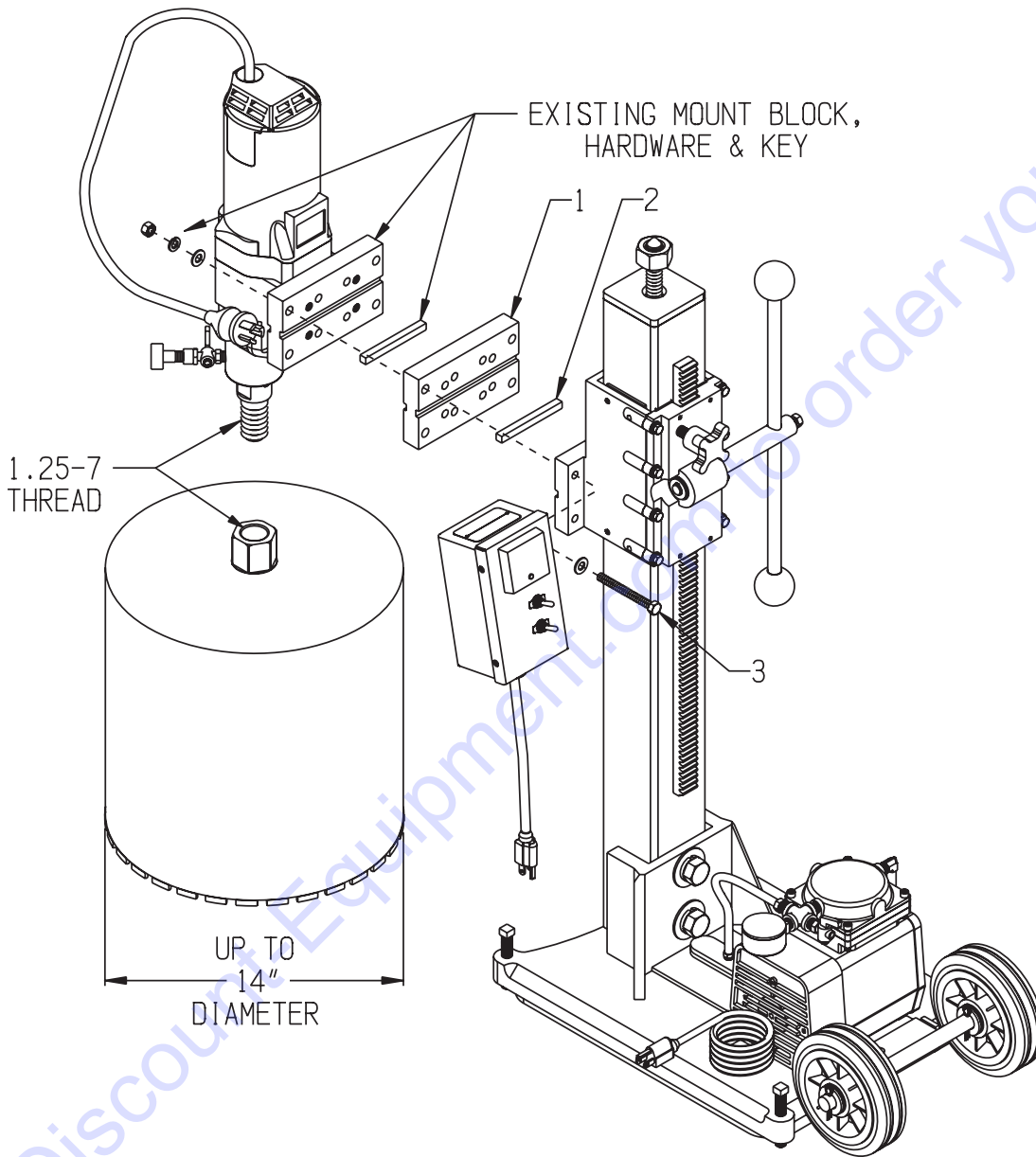
PARTS LISTING - ILLUSTRATION 4: DRILL MOTOR GROUPING			
ITEM #	PART #	DESCRIPTION	QTY.
1	97001 97002	DRILL MOTOR (INCLUDES ITEMS 1 THRU 7) MILWAUKEE #4079, 20 AMP, 2 SPEED, SHEAR PIN MILWAUKEE #4090, 15 AMP, 2 SPEED, SHEAR PIN	1
*2	97065	WATER HOSE ADAPTER 42-04-0600	1
*3	97064	SHUT OFF VALVE 45-80-0060	1
*4	97062	PIN, SHEAR 44-60-0032	6
*5	97068	RETAINING RING 34-60-1800	1
*6	97059	COPPER WASHER 1-1/4 X 1-3/4 X 3/32	2
7	97069	WRENCH 49-96-4700 (INCLUDED W/ DRILL MOTOR)	1
8	97053	MOTOR MOUNT SPACER BLOCK	1
9	97051	KEY 3/8"SQ X 4"L	2
10	97015	SCREW, SKT. HD. CAP 1/4-20 X 1-1/4	4
11	97012	SCREW, CAP 3/8-16 X 2-3/4	4
12	10025	WASHER, FLAT 3/8 SAE	8
13	10811	WASHER, LOCK 3/8	4
14	10810	NUT, LOCK 3/8-16	4
15	97072	ADAPTER 1 1/4-7 TO 5/8-11 (OPTIONAL FOR SMALL BITS)	1
16	10073	WASHER, FLAT 5/8 SAE (OPTIONAL)	1
* THESE ITEMS ARE INCLUDED WITH THE DRILL MOTOR IN A SEPARATE ACCESSORY BAG			



A Division of Equipment Development Company, Inc.

ILLUSTRATION 5: MOTOR MOUNT KIT FOR 14" DRILL BIT

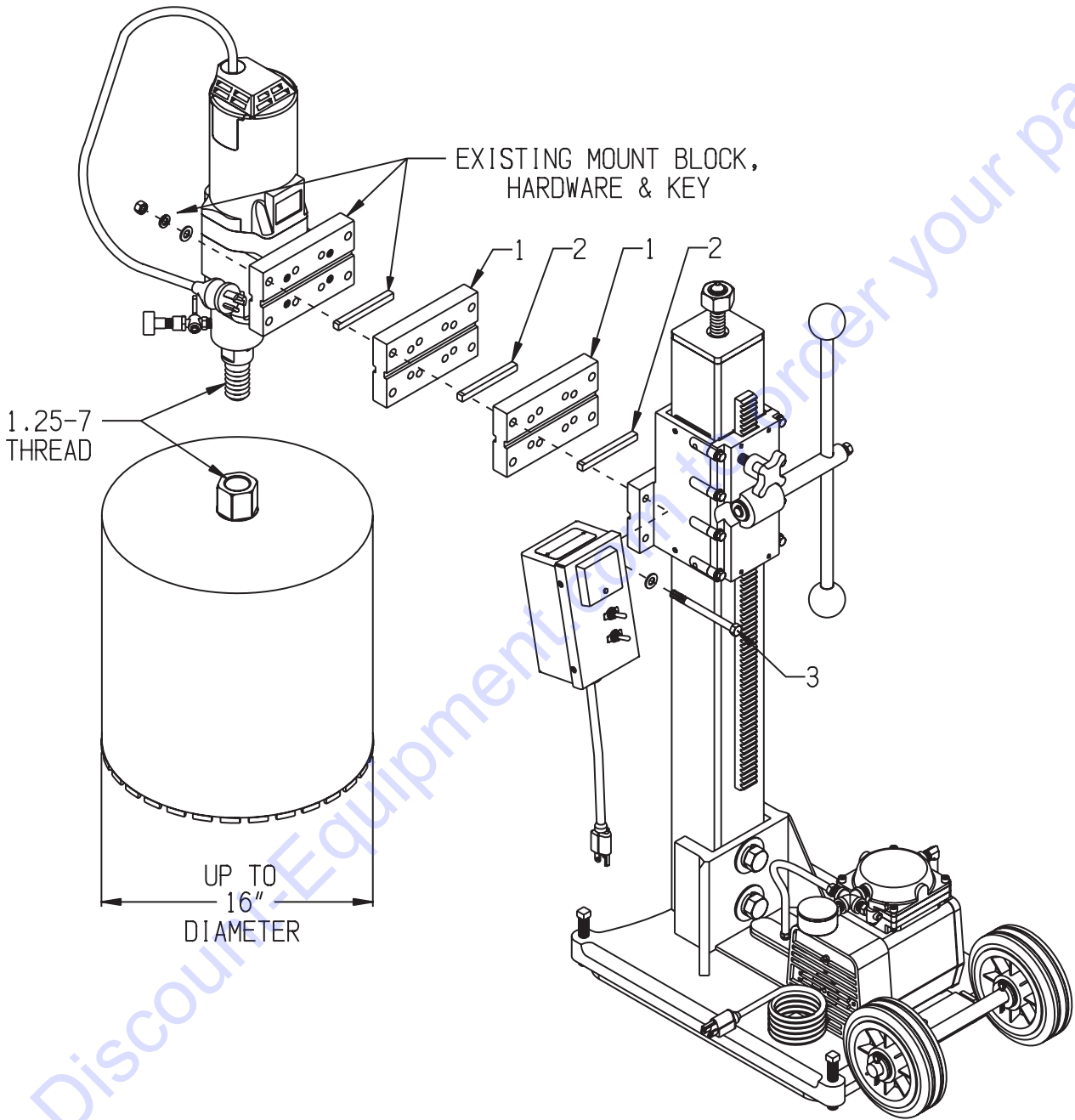
OPTIONAL - PART # 97060K



ITEM #	PART #	DESCRIPTION	QTY.
1	97053	MOTOR MOUNT SPACER BLOCK	1
2	97051	KEY 3/8"SQ X 4"L	1
3	10868	SCREW, CAP 3/8-16 X 3-1/2	4

ILLUSTRATION 6: MOTOR MOUNT KIT FOR 16" DRILL BIT

OPTIONAL - PART # 97061K

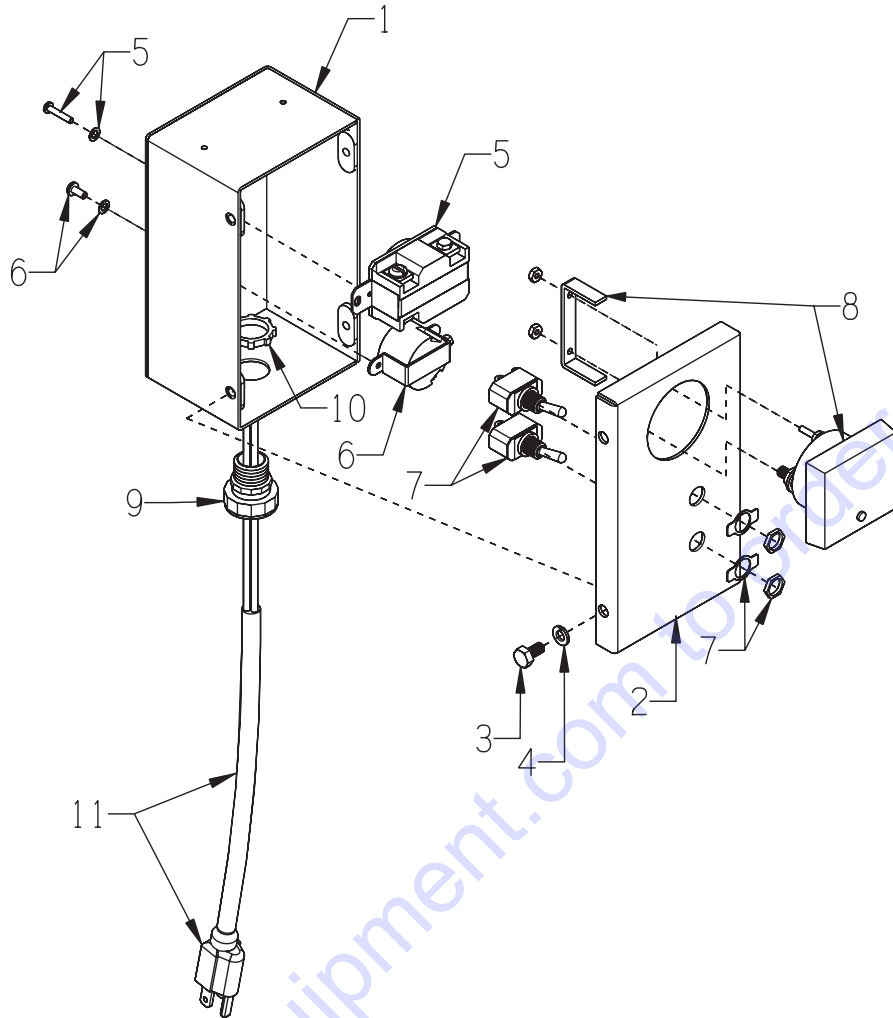


ITEM #	PART #	DESCRIPTION	QTY.
1	97053	MOTOR MOUNT SPACER BLOCK	2
2	97051	KEY 3/8"SQ X 4"L	2
3	10349	SCREW, CAP 3/8-16 X 4-1/2	4



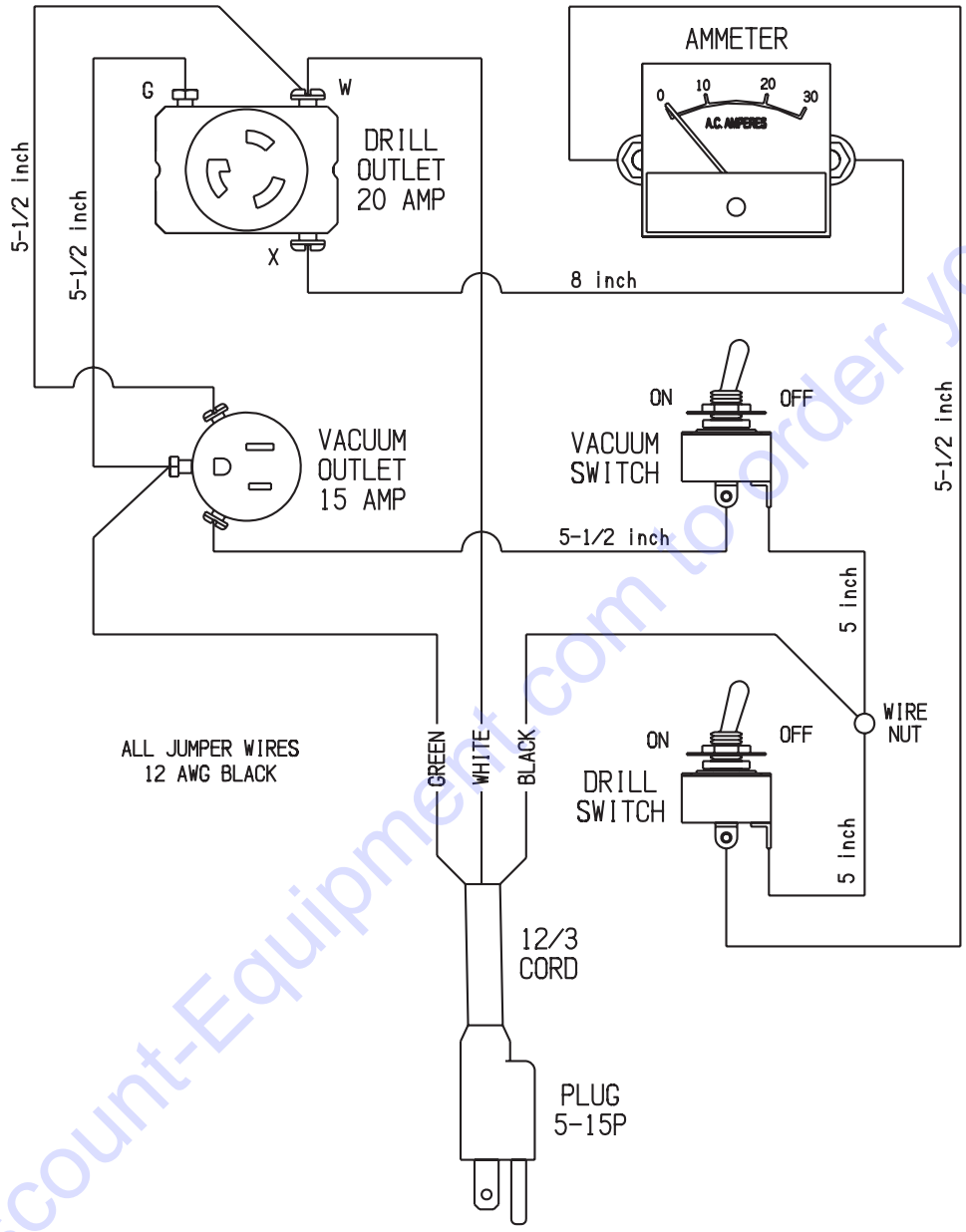
A Division of Equipment Development Company, Inc.

ILLUSTRATION 7: CONTROL BOX ASSEMBLY



ITEM #	PART #	DESCRIPTION	QTY.
	97006A	CONTROL BOX COMPLETE (INCLUDES ITEMS 1 THRU 11)	1
1	97006	CONTROL BOX ONLY, DRILL RIG	1
2	97007	CONTROL BOX COVER, DRILL RIG	1
3	10834	SCREW, CAP 1/4-20 X 1/2	4
4	10038	WASHER, LOCK 1/4	4
5	16198	RECEPTACLE, LOCKING 20A-125V L520R	1
6	16199	RECEPTACLE, SINGLE 15A-125V 5258	1
7	16189	SWITCH, TOGGLE SPST 20/10A-125/250V	2
8	97009	AMMETER, 2 1/2" ROUND, 0-30AC AMPS	1
9	41130	STRAIN RELIEF 1/2NPT X .550-.650"	1
10	10790	CONDUIT LOCK NUT 1/2 NP	1
11	97057	PLUG, MOLDED, 12/3 CORD	1

**ILLUSTRATION 8:
WIRING DIAGRAM FOR CONTROL BOX**



PARTS LISTING FOR WIRE AND TERMINALS REQUIRED		
PART #	DESCRIPTION	QTY.
99017	WIRE, ELEC. 12 AWG BLACK STRANDED	36" TOTAL
11715	TERM., FEM. PUSH-ON 12-10GA.	4
10967	TERM., FLANGED SPADE #10 12-10GA.	4
10968	TERM., RING 5/16 16-14GA. INSULATED	2
10966	CONNECTOR, WIRE NUT (YELLOW)	1

PARTS FINDER

**Search Website
by Part Number**



**Search Manual
Library For Parts
Manual & Lookup Part
Numbers – Purchase
or Request Quote**

Search Manuals

Enter your information to help us find the right parts manual for your machine.

* Brand:

* Model:

* Serial:

* Part Number:

SEARCH

**Can't Find Part or
Manual? Request Help
by Manufacturer,
Model & Description**

Parts Order Form

Please fill in the following information to help us find the right part for your machine.

Manufacturer:	<input type="text"/>
Model:	<input type="text"/>
Description:	<input type="text"/>
Part Number:	<input type="text"/>
Quantity:	<input type="text"/>
Notes:	<input type="text"/>

REQUEST HELP

Discount-Equipment.com is your online resource for quality parts & equipment.

Florida: **561-964-4949** Outside Florida TOLL FREE: **877-690-3101**

Need parts?

Click on this link: <http://www.discount-equipment.com/category/5443-parts/> and choose one of the options to help get the right parts and equipment you are looking for. Please have the machine model and serial number available in order to help us get you the correct parts. If you don't find the part on the website or on one of the online manuals, please fill out the request form and one of our experienced staff members will get back to you with a quote for the right part that your machine needs.

We sell worldwide for the brands: Genie, Terex, JLG, MultiQuip, Mikasa, Essick, Whiteman, Mayco, Toro Stone, Diamond Products, Generac Magnum, Airman, Haulotte, Barreto, Power Blanket, Nifty Lift, Atlas Copco, Chicago Pneumatic, Allmand, Miller Curber, Skyjack, Lull, Skytrak, Tsurumi, Husquvarna Target, Stow, Wacker, Sakai, Mi-T-M, Sullair, Basic, Dynapac, MBW, Weber, Bartell, Bennar Newman, Haulotte, Ditch Runner, Menegotti, Morrison, Contec, Buddy, Crown, Edco, Wyco, Bomag, Laymor, EZ Trench, Bil-Jax, F.S. Curtis, Gehl Pavers, Heli, Honda, ICS/PowerGrit, IHI, Partner, Imer, Clipper, MMD, Koshin, Rice, CH&E, General Equipment, Amida, Coleman, NAC, Gradall, Square Shooter, Kent, Stanley, Tamco, Toku, Hatz, Kohler, Robin, Wisconsin, Northrock, Oztec, Toker TK, Rol-Air, APT, Wylie, Ingersoll Rand / Doosan, Innovatech, Con X, Ammann, Mecalac, Makinex, Smith Surface Prep, Small Line, Wanco, Yanmar