



STARTING SERIAL # 1101

## PARTS LIST MANUAL

# MODEL HSS-14



SHOWN WITH  
OPTIONAL "ProCart"

## 14" GASOLINE POWERED HARDSCAPE SAW



# PARTS FINDER

**Search Website  
by Part Number**



**Search Manual  
Library For Parts  
Manual & Lookup Part  
Numbers – Purchase  
or Request Quote**

**Search Manuals**

Enter your information to help us find the right parts manual for your machine.

\* Brand:

\* Model:

\* Serial:

\* Part Number:

SEARCH

**Can't Find Part or  
Manual? Request Help  
by Manufacturer,  
Model & Description**

**Parts Order Form**

Please fill in the following information to help us find the right part for your machine.

Manufacturer:	<input type="text"/>
Model:	<input type="text"/>
Description:	<input type="text"/>
Part Number:	<input type="text"/>
Quantity:	<input type="text"/>
Notes:	<input type="text"/>

Submit

Discount-Equipment.com is your online resource for quality parts & equipment.

Florida: **561-964-4949** Outside Florida TOLL FREE: **877-690-3101**

**Need parts?**

Click on this link: <http://www.discount-equipment.com/category/5443-parts/> and choose one of the options to help get the right parts and equipment you are looking for. Please have the machine model and serial number available in order to help us get you the correct parts. If you don't find the part on the website or on one of the online manuals, please fill out the request form and one of our experienced staff members will get back to you with a quote for the right part that your machine needs.

We sell worldwide for the brands: Genie, Terex, JLG, MultiQuip, Mikasa, Essick, Whiteman, Mayco, Toro Stone, Diamond Products, Generac Magnum, Airman, Haulotte, Barreto, Power Blanket, Nifty Lift, Atlas Copco, Chicago Pneumatic, Allmand, Miller Curber, Skyjack, Lull, Skytrak, Tsurumi, Husquvarna Target, Stow, Wacker, Sakai, Mi-T-M, Sullair, Basic, Dynapac, MBW, Weber, Bartell, Bennar Newman, Haulotte, Ditch Runner, Menegotti, Morrison, Contec, Buddy, Crown, Edco, Wyco, Bomag, Laymor, EZ Trench, Bil-Jax, F.S. Curtis, Gehl Pavers, Heli, Honda, ICS/PowerGrit, IHI, Partner, Imer, Clipper, MMD, Koshin, Rice, CH&E, General Equipment, Amida, Coleman, NAC, Gradall, Square Shooter, Kent, Stanley, Tamco, Toku, Hatz, Kohler, Robin, Wisconsin, Northrock, Oztec, Toker TK, Rol-Air, APT, Wylie, Ingersoll Rand / Doosan, Innovatech, Con X, Ammann, Mecalac, Makinex, Smith Surface Prep, Small Line, Wanco, Yanmar

READ AND UNDERSTAND THE OPERATORS INSTRUCTION MANUAL THOROUGHLY BEFORE ATTEMPTING TO OPERATE THIS EQUIPMENT. Death or serious injury could occur if this machine is used improperly.



## SAFETY MESSAGES



The safety instructions are preceded by a graphic alert message of DANGER, WARNING, or CAUTION.



Indicates an imminent hazard which, if not avoided, will result in death or serious injury.



Indicates an imminent hazard which, if not avoided, can result in death or serious injury.



Indicates hazards which, if not avoided, could result in serious injury and or damage to the equipment.

## GASOLINE Powered Equipment



- Do not operate gasoline powered equipment without adequate ventilation. Carbon monoxide is an invisible, odorless gas that can kill.

## ELECTRICAL Powered Equipment



- **ELECTRICAL HAZARD** - Be sure equipment is properly grounded. Failure to comply could kill or result in serious injury.



The engine exhaust from this product contains chemicals known to the State of California to cause cancer, birth defects or other reproductive harm.

## GENERAL INSTRUCTIONS



- You must read and understand the operators instruction manual and all other manuals associated with this machine. For your safety and the safety of others around you, it is extremely important to fully understand how to operate this machine in the way it was intended. Different model machines or older/newer versions of the same model may have different parts and controls that you need to understand. If instructions are not readable or available DO NOT USE this machine and contact Discount-equipment for a replacement Manual.
- You must be able to physically handle the bulk weight and power of this machine. If not properly controlled this machine can cause death or serious injury.
- Do not operate this machine in an impaired mental state. You must be able to exercise good judgement and reactions to maintain a safe working environment.
- This is a "one person" machine which means only one operator can be operating the machine at any one time. For the safety of others, maintain a safe operating distance to other personnel. Your work area should be defined and appropriately marked so bystanders and coworkers do not stand or walk near this machine and end up seriously injured by flying debris or exposing them to harmful noise or dust.
- This equipment is for Commercial use. Although this is a "one person" machine your work team should understand how to shut this machine off and quickly get medical help if an accident strikes the operator.
- Keep all guards in place during operation. The guards are to provide protection from inadvertent contact with dangerous moving parts, pinch points, or hot surfaces.
- Wear appropriate Personal Protective Equipment (PPE) including safety glasses, safety boots, work gloves, respiratory protection,

hearing protection, and head protection. Do not wear loose clothing that can get tangled in moving parts. Failure to do so could result in dismemberment or death. **Wear an approved respirator when removing hazardous materials or when grinding/cutting dry materials. Some dust particles such as concrete dust can contain silicate particles which can cause silicosis (a very serious lung disease). Contact NIOSH or OSHA for further details. When wet grinding/cutting, avoid contact with the concrete/asphalt slurry which can cause serious skin irritations.**

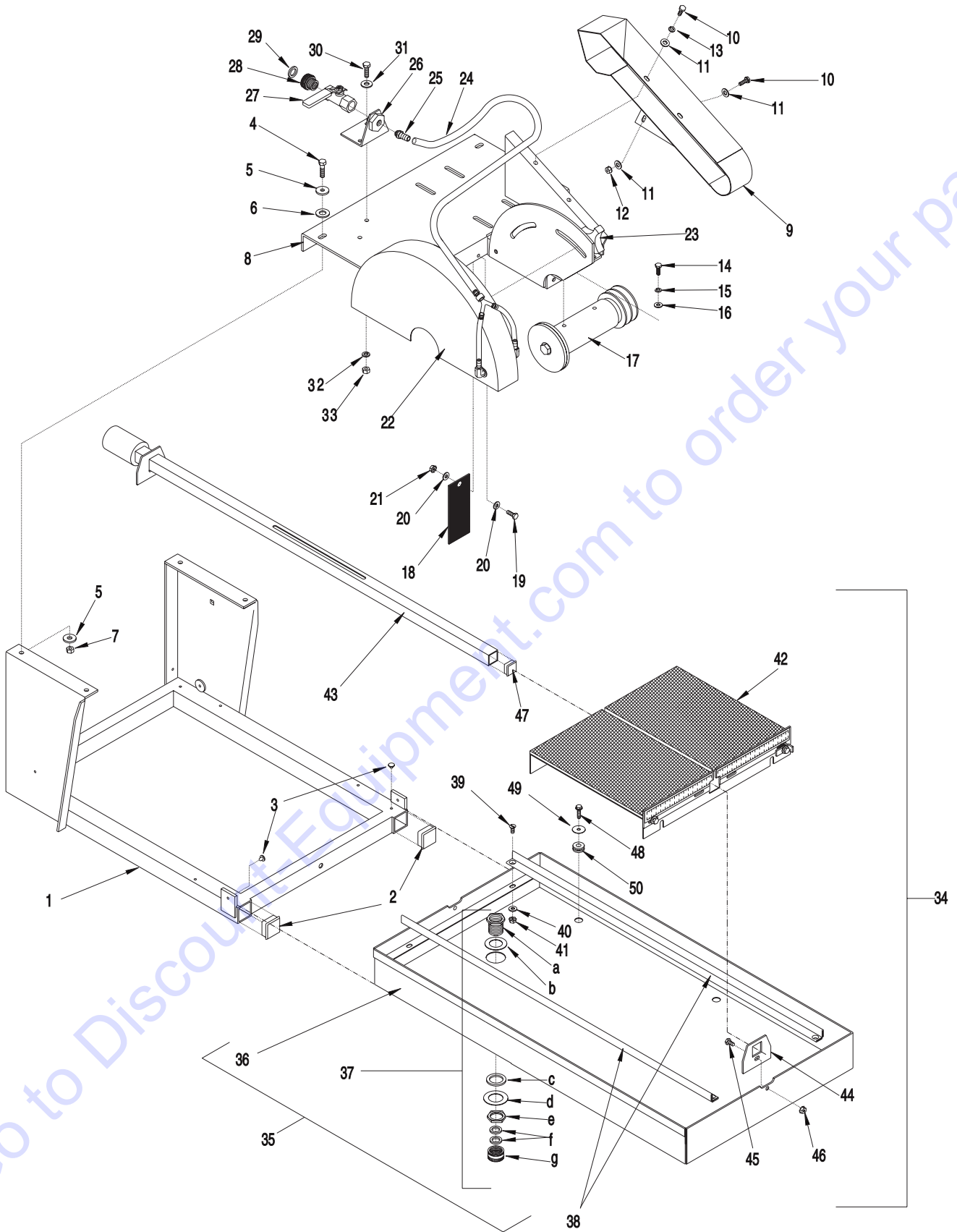
- You must maintain this machine per the maintenance schedule in the operator manual. Remember before adjusting, servicing, or fueling this machine, disconnect the source of power to the machine by disconnecting the spark plug (Gas models), or by unplugging the electrical power cord (electric models) or air hose (Pneumatic models) AT THE MACHINE so you can assure yourself it remains unplugged while you are working on it. Do not modify this machine. Use only genuine EDCO parts and accessories. Repairs and service should be performed by approved EDCO dealers or authorized technicians.
- You should look carefully around the area before you begin work so you can identify potential hazards such as deck inserts, pipes, columns, openings, electrical cords or outlets, or any other objects protruding from the slab surface.
- This machine has no brain so you must use your own. There is no substitute for safety. The safety decals on the machine are to serve as a reminder for information you must already know before you begin using this machine. Take a moment to reread the safety decals each time you use the machine. If your machine is missing any decals, contact Discount-equipment for a replacement.

# PARTS LIST MANUAL

## MODEL HSS - 14

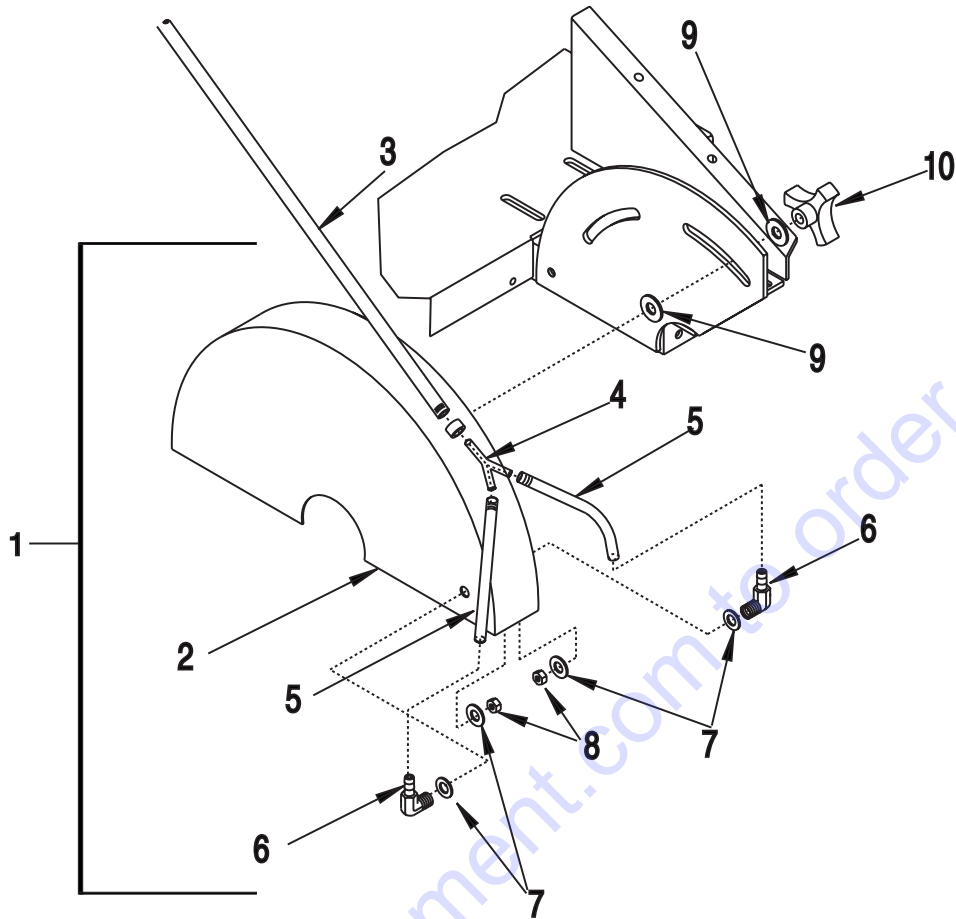
Section	Page Number
Safety Messages and General Instructions . . . . .	2
How To Order Repair Parts / 14" Hardscape Saw Chart . . . . .	3
Main Assembly Grouping . . . . .	4
Parts Listing for Main Assembly Grouping . . . . .	5
Blade Guard Grouping . . . . .	6
Parts Listing for Blade Guard Grouping . . . . .	6
Arbor Assembly Grouping . . . . .	7
Parts Listing for Arbor Assembly Grouping . . . . .	7
Rolling Table Grouping . . . . .	8
Parts Listing for Rolling Table . . . . .	8
Engine Grouping . . . . .	9
Parts Listing for Engine Grouping . . . . .	9
Notes. . . . .	10
Notes. . . . .	11
Warranty . . . . .	back cover

<b>14" HARDSCAPE SAWS</b>		
PART NO.	MODEL	GASOLINE ENGINE POWER OPTION
24800	HSS14-5H	5.5 HP HONDA GX160
24900	HSS14-6K	6.0 HP KOHLER COMMAND PRO CS6T
25800	HSS14-6H	6.5 HP HONDA GX200

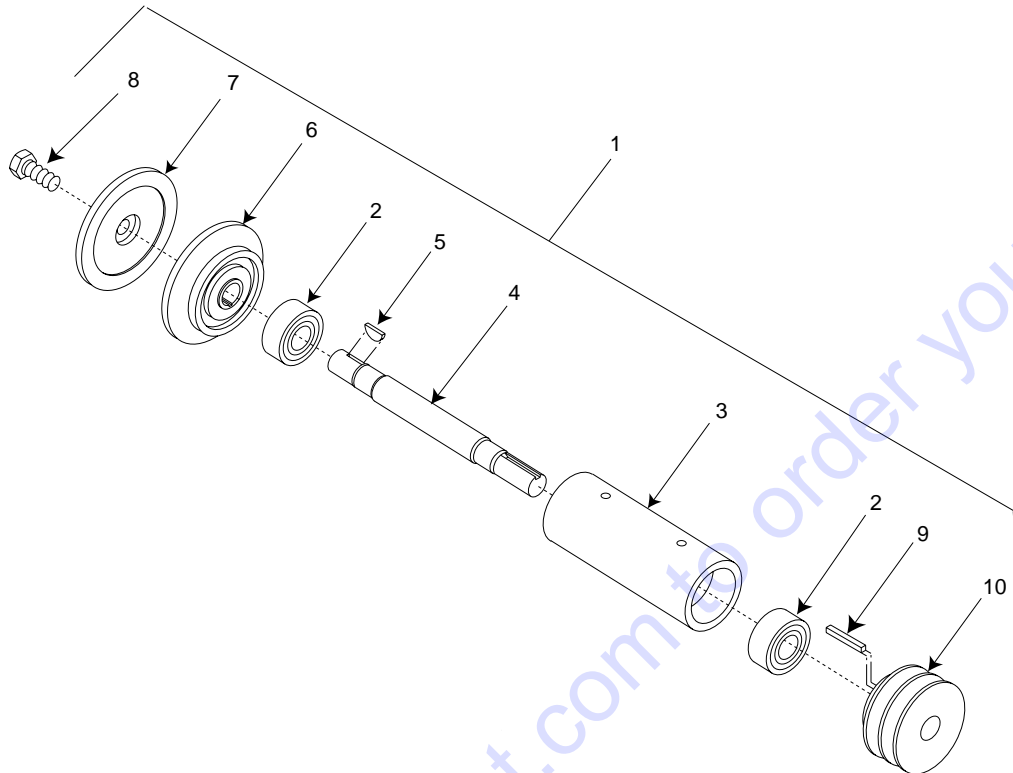


PARTS LISTING - ILLUSTRATION # 1 : MAIN ASSEMBLY GROUPING							
ITEM #	PART #	DESCRIPTION	QTY.	ITEM #	PART #	DESCRIPTION	QTY.
1	42301	MAINFRAME	1	35	42303A	PAN ASSY. w/ RAILS & DRAIN (INCLUDES ITEMS 36-41)	
2	42148	PLUG, SQ. TUBE 1-1/2 x 11 GA., BLACK	2	36	42303	PAN	1
3	42127	RIVET, NYLON PUSH-IN PANEL	10	37	42250	DRAIN ASSEMBLY	1
4	10021	SCREW, CAP 3/8-24 x 1"	4	a	42251	FITTING, DRAIN 3/4 NH x 1/2 FPT	1
5	10025	WASHER, FLAT 3/8	8	b	10438	WASHER, 1.785 OD x 1.084 ID x .040	1
6	10312	WASHER, FLAT 1/2	4	c	42252	WASHER, RUBBER 1-1/16 ID x 1-1/2 OD x 1/8" THK.	1
7	10004	NUT, LOCK 3/8-24	4	d	10444	WASHER, 1.885 OD x 1.060 ID x .040	1
8	42302	DECK, ENGINE & ARBOR	1	e		NUT, JAM (BRASS)	1
9	42306	COVER, BELT	1	f	10070	WASHER, HOSE 3/4 "	2
10	10018	SCREW, CAP 1/4-20 x 3/4	3	g	42253	CAP, HOSE END (BRASS)	1
11	10602	WASHER, FLAT 1/4	4	38	42304	TRACK RAIL	2
12	10861	NUT, KEPS 1/4-20	1	39	11540	SCREW, FLAT HEAD SLOTTED 1/4-20 x 5/8	4
13	10038	WASHER, LOCK 1/4	2	40	10602	WASHER, FLAT 1/4	4
14	10048	SCREW, CAP 5/16-24	4	41	10861	NUT, KEPS 1/4-20	4
15	10801	WASHER, LOCK 5/16	4	42	42315	TABLE COMPLETE, ROLLING (REFER TO ILLUS. # 4 FOR BREAKDOWN)	1
16	10213	WASHER, FLAT 5/16	4	43	42307	VACUUM PORT TUBE	1
17	40056	ARBORASSEMBLY COMPLETE (REFER TO ILLUS. # 3 FOR BREAKDOWN)	1	44	42229	MOUNTING BRKT., VAC. PORT TUBE	1
18	40012	FLAP, SPLASH 2-1/2 x 7"	1	45	10834	SCREW, CAP 1/4-20 x 1/2	2
19	10018	SCREW, CAP 1/4-20 x 3/4	1	46	10861	NUT, KEPS 1/4-20	2
20	10602	WASHER, FLAT 1/4	2	47	51078	PLUG, SQ. TUBE 1 x 14 Ga., BLACK	1
21	10861	NUT, KEPS 1/4-20	1	48	42308	SCREW, SELF-DRILL HEX WASHER 1/4" x 1" (S.S.)	4
22	42305A	GUARD, BLADE SUB-ASSEMBLY (SEE ILLUS. #2 FOR BREAKDOWN)	1	49	42309	WASHER, FENDER 1/4" x 1" (S.S.)	2
23	80011	KNOB, 3-PRONG w/ 3/8-16 THD. (SEE ILLUS. #2 FOR BREAKDOWN)	2	50	57148	GROMMET, RUBBER 3/8 ID x 1/8 Grv. x 5/8 GD	4
24	42313	HOSE, 1/4" ID x 24' L	1				
25	42312	BARB, 5/16 HOSE x 1/4 MPT	1				
26	42310	BRACKET, WATER VALVE	1				
27	10711	VALVE, BALL 1/2 FPT	1				
28	10778	CONN., FEMALE 3/4 NH x 1/2 MPT	1				
29	10070	WASHER, HOSE 3/4	1				
30	10053	SCREW, CAP 5/16-18 x 3/4	2				
31	10213	WASHER, FLAT 5/16	2				
32	10801	WASHER, LOCK 5/16	2				
33	10054	NUT 5/16-18	2				
34	42303B	PAN ASSY. w/ TABLE & VAC. PORT (INCLUDES ITEMS 36-50)					

## ILLUSTRATION # 2 : BLADE GUARD GROUPING



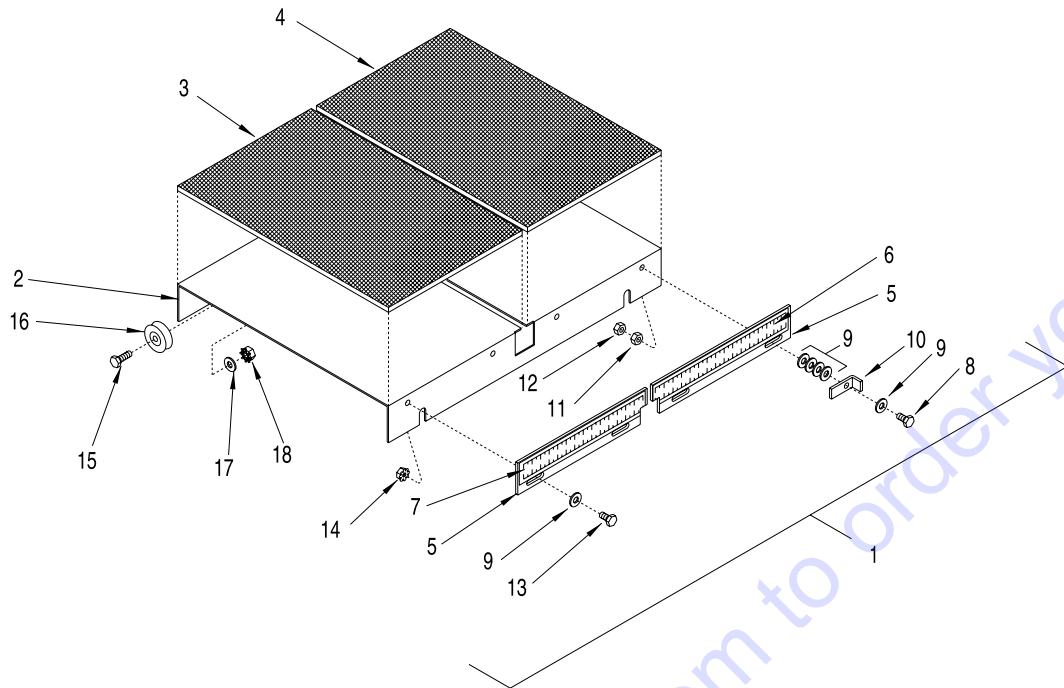
ITEM #	PART#	DESCRIPTION	QTY.
1	42305A	BLADE GUARD SUBASSEMBLY (# 2-8)	
2	42305	GUARD, BLADE 14'	1
3	42313	HOSE, 1/4" ID x 24' L	1
4	99323	BARBED FITTING, 'Y' 1/4' HOSE	1
5	42314	HOSE, 1/4" ID x 5" L	2
6	10771	BARB, ELBOW 90° 1/4" HOSE x 1/8 MPT	2
7	10025	WASHER, FLAT 3/8	4
8	10864	NUT 1/8-27 PIPE THREAD	2
9	10025	WASHER, FLAT 3/8	4
10	80011	KNOB, 3-PRONG w/ 3/8-16 THD.	2

**ILLUSTRATION # 3 : ARBOR ASSEMBLY GROUPING**


ITEM #	PART#	DESCRIPTION	QTY.
1	40056	ARBOR ASSEMBLY w/ SHEAVE (INCLUDES ITEMS 2 - 10)	
2	40018	BEARING, RADIAL BALL 20 x 47 x 20.6mm	2
3	40020	ARBOR, HOUSING	1
4	40021	ARBOR, SHAFT 8-7/8" L	1
5	40036	KEY, WOODRUFF 1/8 x 3/8 ( # 403 )	1
6	40022	ARBOR, BACKING PLATE	1
7	40023	ARBOR, BLADE RETAINING CAP	1
8	10321	SCREW, CAP 1/2-20 x 1-1/4	1
9	40005	SHEAVE 3" OD x 2 Gr.A x 3/4" BORE	1
10	10170	KEY 3/16 SQ. x 1-3/4 L	1

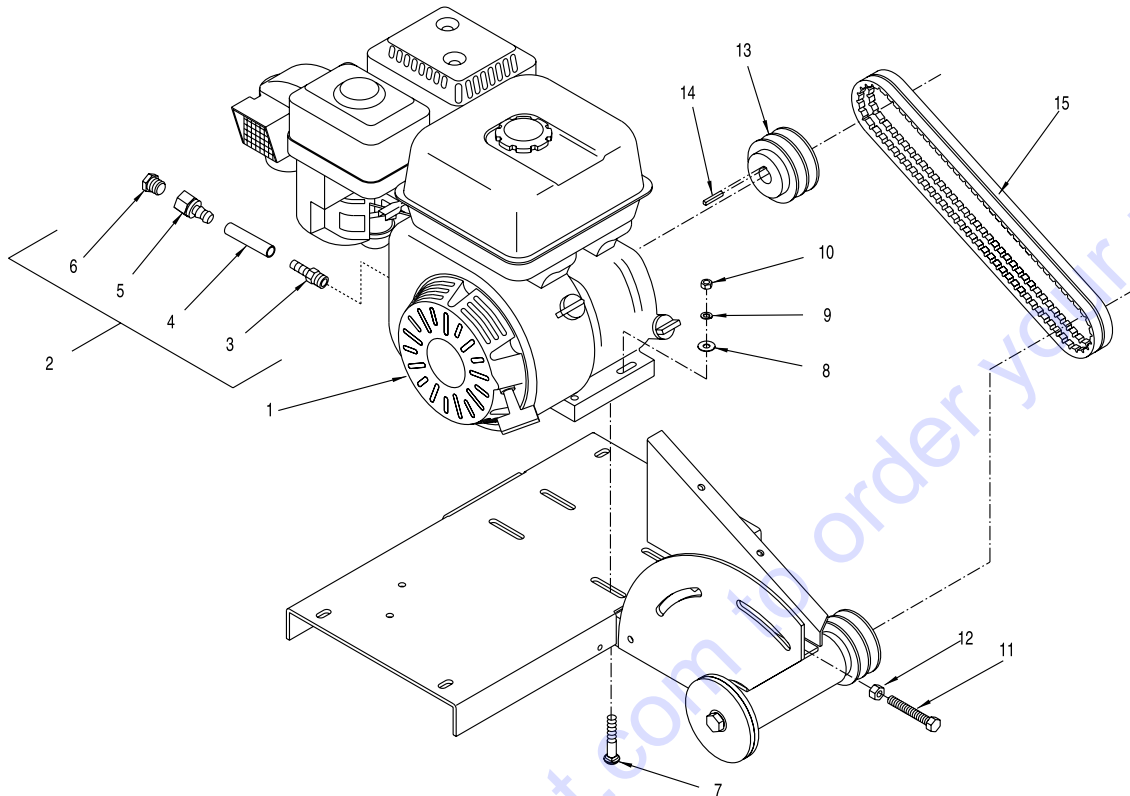


### ILLUSTRATION # 4 : ROLLING TABLE GROUPING



ITEM#	PART#	DESCRIPTION	QTY.
1	42315	TABLE COMPLETE, ROLLING (INCLUDES ITEMS 2 THRU 18)	
2	42226	TABLE ONLY, ROLLING	1
3	42222	RUBBER PAD 12 x 7-1/2 x 1/4	1
4	42221	RUBBER PAD 12 x 8 x 1/4	1
5	42311	TABLE FRONT PANEL (2-PIECES)	1
6	40424	RULE, ADHESIVE-BACKED, 1 THRU 7, L to R	1
7	40423	RULE, ADHESIVE-BACKED, 1 THRU 13, R to L	1
8	10905	SCREW, CAP 1/4-20 x 1-1/4	1
9	10602	WASHER, FLAT 1/4	8
10	42106	LATCH, ROLLING TABLE	1
11	10013	NUT 1/4-20	1
12	10015	NUT, LOCK 1/4-20	1
13	10834	SCREW, CAP 1/4-20 x 1/2	3
14	10861	NUT, KEPS 1/4-20	3
15	10031	SCREW, CAP 1/4-20 x 1	4
16	14082	TRACK WHEEL 1-1/4" DIA. x 1/4" BORE	4
17	10602	WASHER, FLAT 1/4	4
18	10861	NUT, KEPS 1/4-20	4

### ILLUSTRATION # 5 : ENGINE GROUPING



ITEM#	PART#	DESCRIPTION	QTY.
1		ENGINE	1
	40387	HONDA 5.5HP GX160	
	15048	HONDA 6.5HP GX200	
	15046	KOHLER 6.0HP COMMAND PRO CS6T	
2	40327	OIL DRAIN KIT (INCLUDES ITEMS 3 THRU 6) <b>HONDA ONLY</b>	1
3	11541	BARB, PUSH-ON 3/8 HOSE x 10mm x 1.25 MALE	1
4	56116	HOSE, PUSH-ON 3/8" ID x 3"L	1
5	11544	BARB, PUSH-ON 3/8 HOSE x 1/4 FPT	1
6	10776	PIPE PLUG 1/4 NPT (BRASS)	1
7	10918	BOLT, CARRIAGE 5/16-18 x 1-3/4	4
8	10213	WASHER, FLAT 5/16	4
9	10801	WASHER, LOCK 5/16	4
10	10054	NUT 5/16 -18	4
11	10410	BOLT, TAP 3/8-16 x 2-1/2 (FULL THREAD)	1
12	10404	NUT 3/8-16	1
13	40005	SHEAVE 3"OD x 2Gr.A x 3/4" BORE	1
14	-----	KEY 3/16" SQ. (INCLUDED w/ ENGINE)	1
15	10233	BELT AX-34 (REFER TO NAME PLATE ON MACHINE)	2

# PARTS FINDER

**Search Website  
by Part Number**



**Search Manual  
Library For Parts  
Manual & Lookup Part  
Numbers – Purchase  
or Request Quote**

**Search Manuals**

Enter your information to help us find the right parts manual for your machine.

\* Brand:

\* Model:

\* Serial:

\* Part Number:

SEARCH

**Can't Find Part or  
Manual? Request Help  
by Manufacturer,  
Model & Description**

**Parts Order Form**

Please fill in the following information to help us find the right part for your machine.

Manufacturer:	<input type="text"/>
Model:	<input type="text"/>
Description:	<input type="text"/>
Part Number:	<input type="text"/>
Quantity:	<input type="text"/>
Notes:	<input type="text"/>

Discount-Equipment.com is your online resource for quality parts & equipment.

Florida: **561-964-4949** Outside Florida TOLL FREE: **877-690-3101**

## Need parts?

Click on this link: <http://www.discount-equipment.com/category/5443-parts/> and choose one of the options to help get the right parts and equipment you are looking for. Please have the machine model and serial number available in order to help us get you the correct parts. If you don't find the part on the website or on one of the online manuals, please fill out the request form and one of our experienced staff members will get back to you with a quote for the right part that your machine needs.

We sell worldwide for the brands: Genie, Terex, JLG, MultiQuip, Mikasa, Essick, Whiteman, Mayco, Toro Stone, Diamond Products, Generac Magnum, Airman, Haulotte, Barreto, Power Blanket, Nifty Lift, Atlas Copco, Chicago Pneumatic, Allmand, Miller Curber, Skyjack, Lull, Skytrak, Tsurumi, Husquvarna Target, Stow, Wacker, Sakai, Mi-T-M, Sullair, Basic, Dynapac, MBW, Weber, Bartell, Bennar Newman, Haulotte, Ditch Runner, Menegotti, Morrison, Contec, Buddy, Crown, Edco, Wyco, Bomag, Laymor, EZ Trench, Bil-Jax, F.S. Curtis, Gehl Pavers, Heli, Honda, ICS/PowerGrit, IHI, Partner, Imer, Clipper, MMD, Koshin, Rice, CH&E, General Equipment, Amida, Coleman, NAC, Gradall, Square Shooter, Kent, Stanley, Tamco, Toku, Hatz, Kohler, Robin, Wisconsin, Northrock, Oztec, Toker TK, Rol-Air, APT, Wylie, Ingersoll Rand / Doosan, Innovatech, Con X, Ammann, Mecalac, Makinex, Smith Surface Prep, Small Line, Wanco, Yanmar