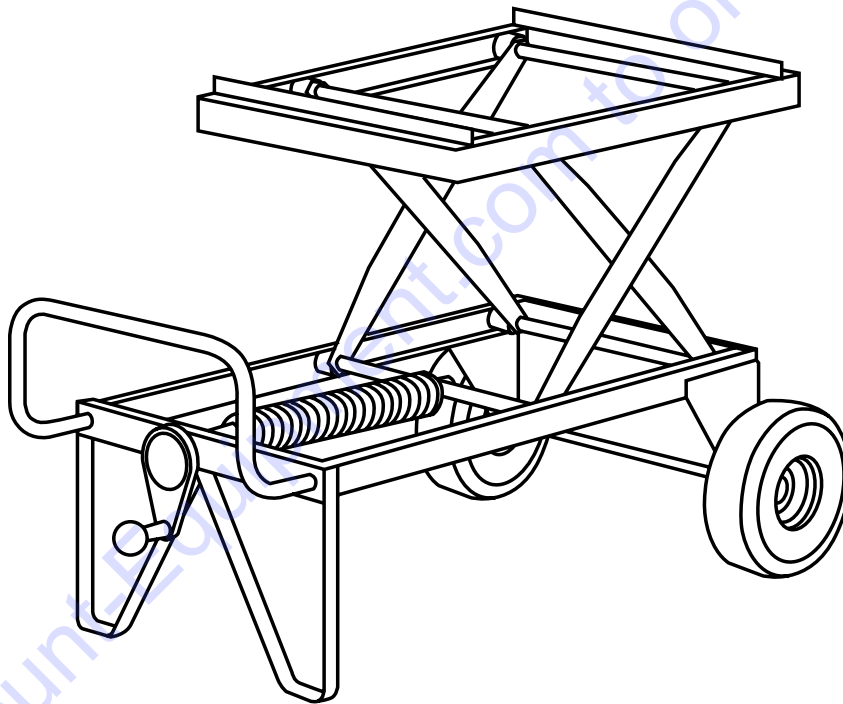




**PARTS LIST MANUAL**

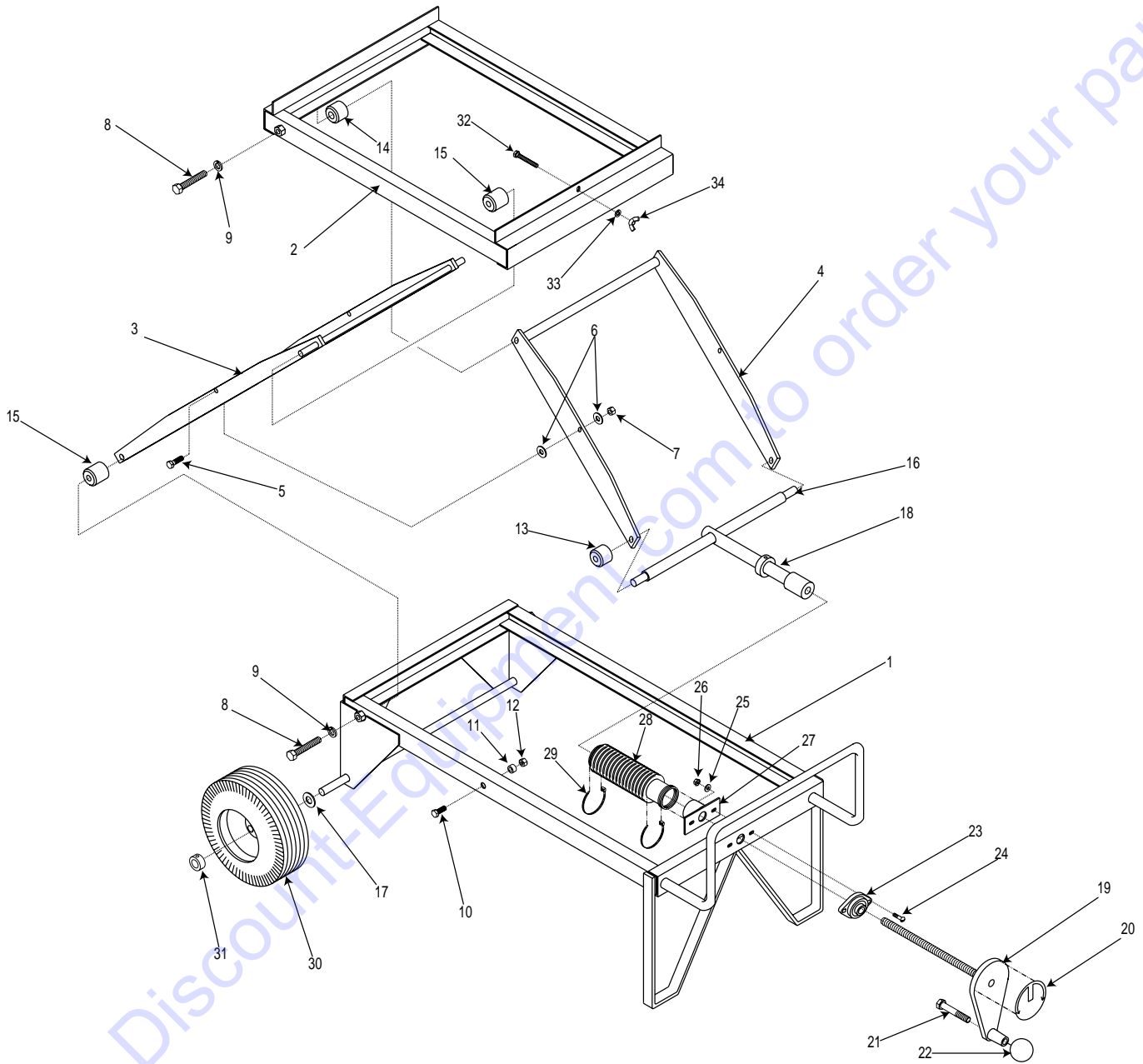
**ProCart**



**Adjustable Height Cart  
Part No. 24750**



ProCart ASSEMBLY



PARTS LISTING : ProCart ASSEMBLY			
ITEM#	PART#	DESCRIPTION	QTY.
1	24751	FRAME WELDMENT, BASE	1
2	24752	FRAME WELDMENT, TOP	1
3	24753	SCISSOR WELDMENT, INNER	1
4	24754	SCISSOR WELDMENT, OUTER	1
5	10309	SCREW, CAP 3/8-24 x 1-1/4	2
6	10025	WASHER, FLAT 3/8	4
7	10152	NUT, HEX NYLON LOCK 3/8-24	2
8	10340	BOLT, TAP 1/2-13 x 3 (FULL THREAD)	4
9	10045	WASHER, LOCK 1/2	4
10	10021	SCREW, CAP 3/8-24 x 1	2
11	10011	SPACER, STEEL 5/8" OD x 3/8" ID x 3/8"	2
12	10152	NUT, HEX NYLON LOCK 3/8-24	2
13	24756	WHEEL, TRACK, 1-1/2" OD x 5/8" ID x 1-3/16" L	2
14	24757	WHEEL, TRACK, 1-1/2" OD x 1/2" ID x 1-3/16" L	2
15	24758	WHEEL, TRACK, 1-1/2" OD x 1/2" ID x 1-9/16" L	4
16	24755	ROD 5/8" DIA. x 18-11/16" L	1
17	10073	WASHER, FLAT 5/8	2
18	24759	LINKAGE, RAISE/LOWER	1
19	51075	HANDWHEEL, LARGE w/ 5/8-8 x 13" ROD	1
20	91145	DECAL, CUT CONTROL - UP/DN (LARGE ROUND)	1
21	10499	SCREW, SKT. HD. CAP 1/2-13 x 3	1
22	10104	KNOB, BALL 1-7/8" w/ 1/2-13 THD.	1
23	80009	BEARING, BALL 5/8" 2-HOLE FLANGE	1
24	10412	BOLT, CARRIAGE 1/4-20 x 1	2
25	10602	WASHER, FLAT 1/4	2
26	10861	NUT, KEPS 1/4-20	2
27	24762	BRACKET, BELLOWS	1
28	24761	BELLOWS 1-3/4" ID x 10-1/4" LG	1
29	10982	TIE, NYLON, BLACK 7-1/2"	2
30	24760	WHEEL 10 x 4 x 5/8" BRG (PNEUMATIC OFFSET)	2
31	10096	COLLAR, LOCKING 5/8" ID	2
32	10341	SCREW, CAP 5/16-18 x 2-1/4	1
33	10801	WASHER, LOCK 5/16	1
34	10902	NUT, WING 5/16-18	1

# PARTS FINDER

**Search Website  
by Part Number**



**Search Manual  
Library For Parts  
Manual & Lookup Part  
Numbers – Purchase  
or Request Quote**

**Search Manuals**

Enter your information to help us find the right parts manual for your machine.

\* Brand:

\* Model:

\* Serial:

\* Part Number:

SEARCH

**Can't Find Part or  
Manual? Request Help  
by Manufacturer,  
Model & Description**

**Parts Order Form**

Please fill in the following information to help us find the right part for your machine.

Manufacturer:	<input type="text"/>
Model:	<input type="text"/>
Description:	<input type="text"/>
Part Number:	<input type="text"/>
Quantity:	<input type="text"/>
Notes:	<input type="text"/>

Submit

Discount-Equipment.com is your online resource for quality parts & equipment.

Florida: **561-964-4949** Outside Florida TOLL FREE: **877-690-3101**

**Need parts?**

Click on this link: <http://www.discount-equipment.com/category/5443-parts/> and choose one of the options to help get the right parts and equipment you are looking for. Please have the machine model and serial number available in order to help us get you the correct parts. If you don't find the part on the website or on one of the online manuals, please fill out the request form and one of our experienced staff members will get back to you with a quote for the right part that your machine needs.

We sell worldwide for the brands: Genie, Terex, JLG, MultiQuip, Mikasa, Essick, Whiteman, Mayco, Toro Stone, Diamond Products, Generac Magnum, Airman, Haulotte, Barreto, Power Blanket, Nifty Lift, Atlas Copco, Chicago Pneumatic, Allmand, Miller Curber, Skyjack, Lull, Skytrak, Tsurumi, Husquvarna Target, Stow, Wacker, Sakai, Mi-T-M, Sullair, Basic, Dynapac, MBW, Weber, Bartell, Bennar Newman, Haulotte, Ditch Runner, Menegotti, Morrison, Contec, Buddy, Crown, Edco, Wyco, Bomag, Laymor, EZ Trench, Bil-Jax, F.S. Curtis, Gehl Pavers, Heli, Honda, ICS/PowerGrit, IHI, Partner, Imer, Clipper, MMD, Koshin, Rice, CH&E, General Equipment, Amida, Coleman, NAC, Gradall, Square Shooter, Kent, Stanley, Tamco, Toku, Hatz, Kohler, Robin, Wisconsin, Northrock, Oztec, Toker TK, Rol-Air, APT, Wylie, Ingersoll Rand / Doosan, Innovatech, Con X, Ammann, Mecalac, Makinex, Smith Surface Prep, Small Line, Wanco, Yanmar