



PARTS LIST MANUAL

MODEL GMS10



SHOWN WITH OPTIONAL CART

10" HARDSCAPE SAWS

SKU #	MODEL #	POWER OPTION
24600	GMS10-4H	HONDA GASOLINE ENGINE MODEL GX120
24700	GMS10-5.5H	HONDA GASOLINE ENGINE MODEL GX160
26100	GMS10-1.5B	BALDOR ELECTRIC MOTOR 1.5HP-1PH-60Hz-115/230V



A Division of Equipment Development Company, Inc.

PARTS FINDER

**Search Website
by Part Number**



**Search Manual
Library For Parts
Manual & Lookup Part
Numbers – Purchase
or Request Quote**

Search Manuals

Enter your information to help us find the right parts manual for your machine.

* Brand:

* Model:

* Serial:

* Part Number:

SEARCH

**Can't Find Part or
Manual? Request Help
by Manufacturer,
Model & Description**

Parts Order Form

Please fill in the following information to help us find the right part for your machine.

Manufacturer:	<input type="text"/>
Model:	<input type="text"/>
Description:	<input type="text"/>
Part Number:	<input type="text"/>
Quantity:	<input type="text"/>
Notes:	<input type="text"/>

Submit

Discount-Equipment.com is your online resource for quality parts & equipment.

Florida: **561-964-4949** Outside Florida TOLL FREE: **877-690-3101**

Need parts?

Click on this link: <http://www.discount-equipment.com/category/5443-parts/> and choose one of the options to help get the right parts and equipment you are looking for. Please have the machine model and serial number available in order to help us get you the correct parts. If you don't find the part on the website or on one of the online manuals, please fill out the request form and one of our experienced staff members will get back to you with a quote for the right part that your machine needs.

We sell worldwide for the brands: Genie, Terex, JLG, MultiQuip, Mikasa, Essick, Whiteman, Mayco, Toro Stone, Diamond Products, Generac Magnum, Airman, Haulotte, Barreto, Power Blanket, Nifty Lift, Atlas Copco, Chicago Pneumatic, Allmand, Miller Curber, Skyjack, Lull, Skytrak, Tsurumi, Husquvarna Target, Stow, Wacker, Sakai, Mi-T-M, Sullair, Basic, Dynapac, MBW, Weber, Bartell, Bennar Newman, Haulotte, Ditch Runner, Menegotti, Morrison, Contec, Buddy, Crown, Edco, Wyco, Bomag, Laymor, EZ Trench, Bil-Jax, F.S. Curtis, Gehl Pavers, Heli, Honda, ICS/PowerGrit, IHI, Partner, Imer, Clipper, MMD, Koshin, Rice, CH&E, General Equipment, Amida, Coleman, NAC, Gradall, Square Shooter, Kent, Stanley, Tamco, Toku, Hatz, Kohler, Robin, Wisconsin, Northrock, Oztec, Toker TK, Rol-Air, APT, Wylie, Ingersoll Rand / Doosan, Innovatech, Con X, Ammann, Mecalac, Makinex, Smith Surface Prep, Small Line, Wanco, Yanmar

READ AND UNDERSTAND THE OPERATORS INSTRUCTION MANUAL *THOROUGHLY* BEFORE ATTEMPTING TO OPERATE THIS EQUIPMENT.



Death or serious injury could occur if this machine is used improperly.



SAFETY MESSAGES

- Safety Instructions are preceded by a graphic alert symbol of DANGER, WARNING, or CAUTION.



Indicates an imminent hazard which, if not avoided, will result in death or serious injury.



Indicates an imminent hazard which, if not avoided, can result in death or serious injury.



Indicates hazards which, if not avoided, could result in serious injury and or damage to the equipment.

GASOLINE/PROPANE POWERED EQUIPMENT



• Engine exhaust from this product contains chemicals known to the State of California to cause cancer, birth defects or other reproductive harm.



Gasoline is extremely flammable and poisonous. It should only be dispensed in well ventilated areas, and with a cool engine.

- Small gasoline engines produce high concentrations of carbon monoxide (CO) example: a 5 HP 4 cycle engine operation in an enclosed 100,000 cu. ft. area with only one change of air per hour is capable of providing deadly concentrations of CO in less than fifteen minutes. Five changes of air in the same area will produce noxious fumes in less than 30 minutes. Gasoline or propane powered equipment should not be used in enclosed or partially enclosed areas. Symptoms of CO poisoning include, headache, nausea, weakness, dizziness, visual problems and loss of consciousness. If symptoms occur - get into fresh air and seek medical attention immediately.

ELECTRICAL POWERED EQUIPMENT



Extreme care must be taken when operating electric models with water present: Ensure power cord is properly grounded, is attached to a Ground-Fault-Interrupter (GFI) outlet, and is undamaged.

- Check all electrical cables - be sure connections are tight and cable is continuous and in good condition. Be sure cable is correctly rated for both the operating current and voltage of this equipment.
- Improper connection of the equipment-grounding conductor can result in a risk of electric shock. Check with qualified electrician or service person if there is any doubt as to whether the outlet is properly grounded. Adhere to all local codes and ordinances.
- **NOTE:** In the event of a malfunction or breakdown, grounding provides a path of least resistance for the electric current to dissipate. The motor is equipped with a grounded plug and must be connected to an outlet that is properly installed and properly grounded. DO NOT modify the plug provided on the motor. If the plug does not fit the outlet have a qualified electrician install the proper receptacle.
- Switch motor OFF **before** disconnecting power.

- Do not disconnect power by pulling cord. To disconnect, grasp the plug, not the cord.
- Unplug power cord at the machine when not in use and before servicing.

GENERAL INSTRUCTIONS

- Equipment should only be operated by trained personnel in good physical condition and mental health (not fatigued). The operator and maintenance personnel must be physically able to handle the bulk weight and power of this equipment.
- This is a one person tool. Maintain a safe operating distance to other personnel. It is the **operators' responsibility** to keep other people (workers, pedestrians, bystanders, etc.) away during operation. Block off the work area in all directions with roping, safety netting, etc. for a safe distance. Failure to do so may result in others being injured by flying debris or exposing them to harmful dust and noise.
- This equipment is intended for commercial use only.
- For the operator's safety and the safety of others, always keep all guards in place during operation.
- Never let equipment run unattended.



- Personal Protection Equipment and proper safety attire must be worn when operating this machinery. The operator must wear approved safety equipment appropriate for the job such as hard hat and safety shoes when conditions require. Hearing protection **MUST** be used (operational noise levels of this equipment may exceed 90db). Eye protection **MUST** be worn at all times.



Keep body parts and loose clothing away from moving parts. Failure to do so could result in dismemberment or death.

- Do not modify the machine.
 - Stop motor/engine when adjusting or servicing this equipment.
- Maintain a safe operating distance from flammable materials. Sparks from the cutting-action of this machine can ignite flammable materials or vapors.



DUST WARNING



Some dust created by power sanding, sawing, grinding, drilling, and other construction activities contains chemicals known to cause cancer, birth defects, or other reproductive harm. Some examples of these chemicals are:

- Lead from lead-based paints, and
- Crystalline silica from bricks and concrete and other masonry products.

Your risk of exposure to these chemicals varies depending on how often you do this type of work. To reduce your risk: work in a well ventilated area, use a dust control system, such as an industrial-style vacuum, and wear approved personal safety equipment, such as a dust/particle respirator designed to filter out microscopic particles.

PARTS LIST MANUAL

MODEL GMS10 10" HARDSCAPE SAW

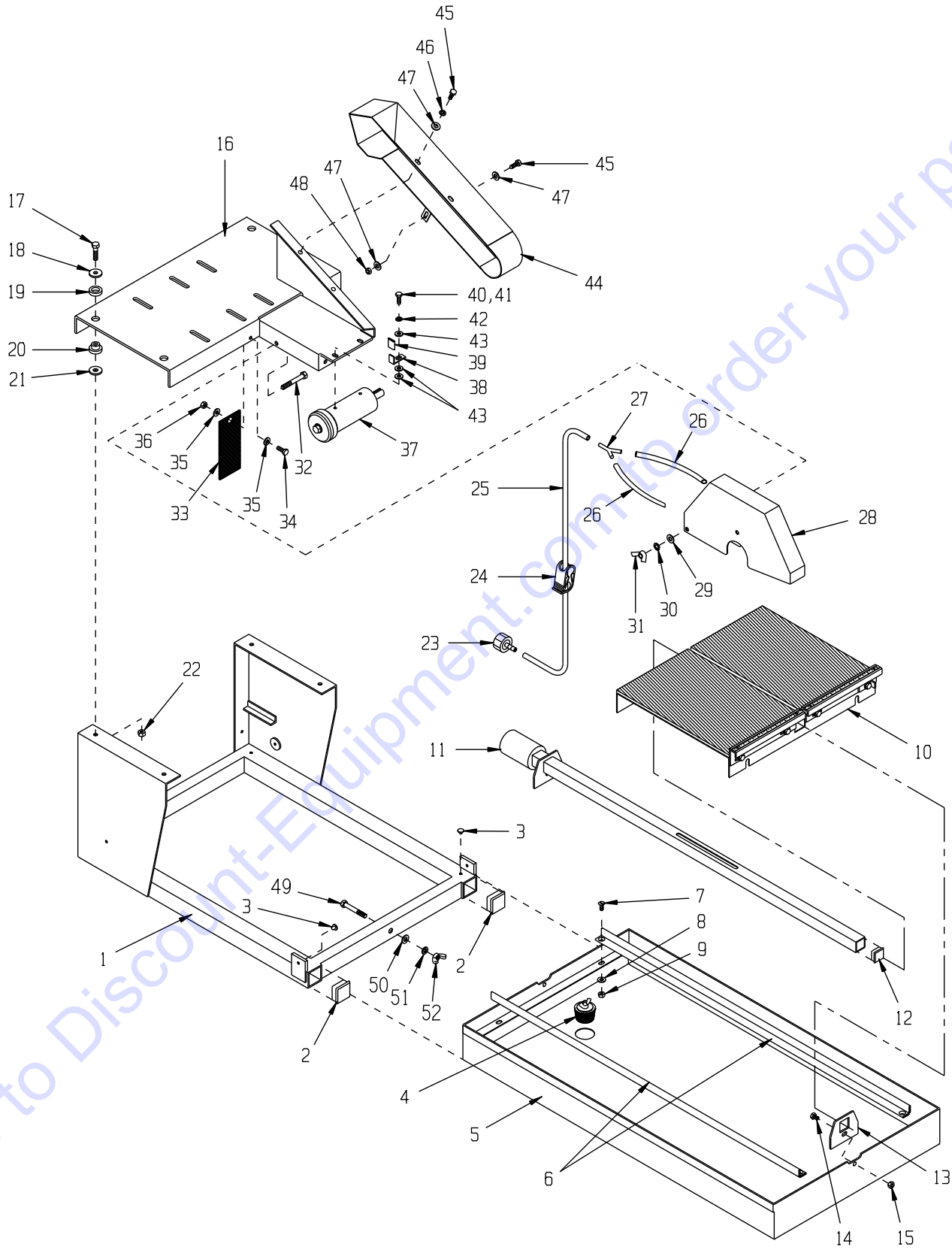
TABLE OF CONTENTS

<u>Section</u>	<u>Page Number</u>
Safety Messages and General Instructions	2
How To Order Replacement Parts	3
Illustration 1: Main Grouping	4, 5
Illustration 2: Rolling Table Assembly	6
Illustration 3: Arbor Assembly	7
Illustration 4: Engine Grouping	8
Illustration 5: Motor Grouping	9
Illustration 6: Optional Low ProfileCart	10
Illustration 7: Optional ProCart	11
Illustration 8: Optional Folding Stand	12
Illustration 9: Optional Drain Assembly	13
Illustration 10: Optional Water Pump Kit	14, 15
Illustration 11: Optional 115V Water Pump Kit	16
Decal Sheet	17
Wiring Diagram for Motor	18
Notes	19
Limited Equipment Warranty of Sale - Terms & Conditions	20 (Back Page)



A Division of Equipment Development Company, Inc.

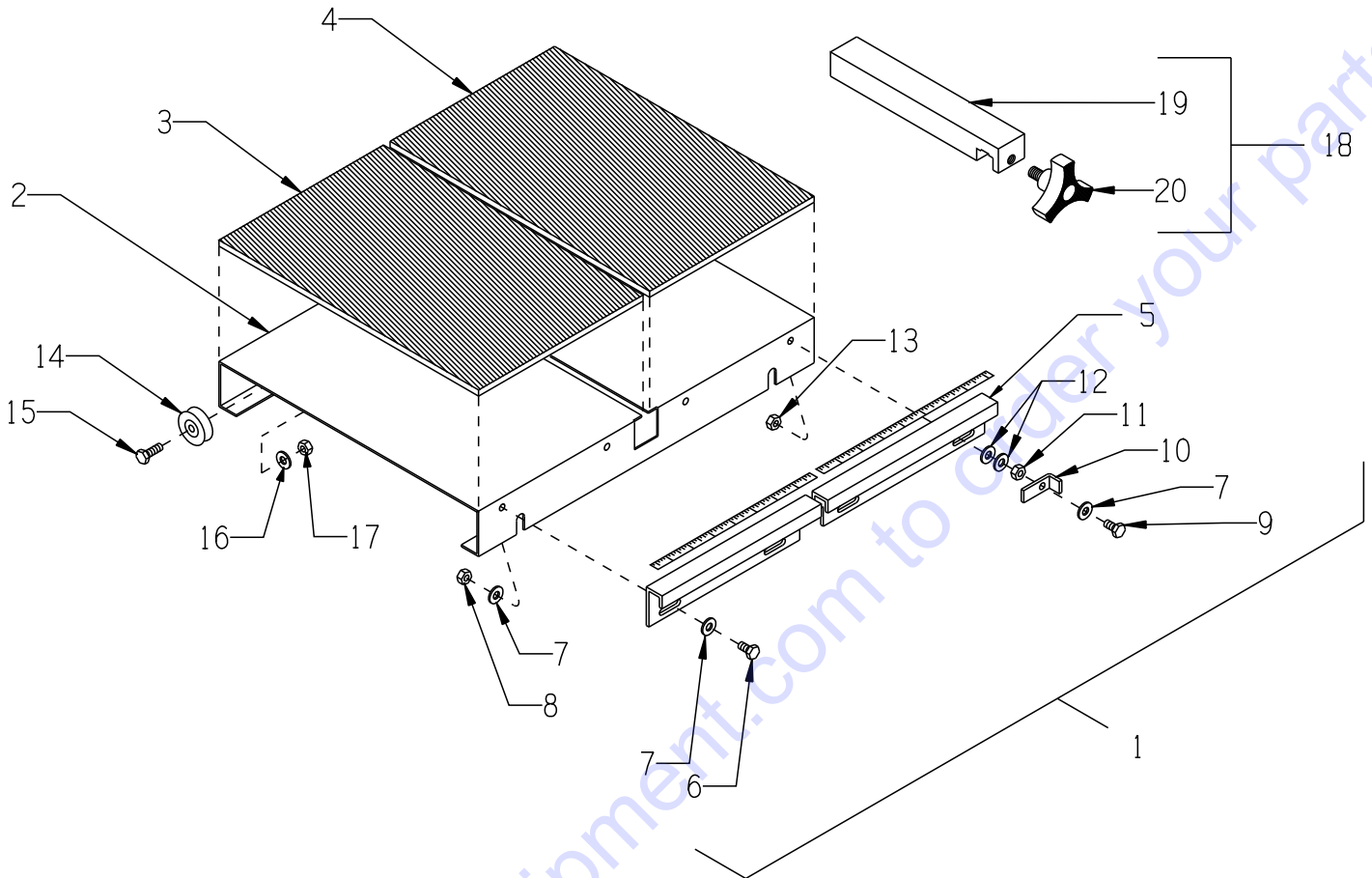
ILLUSTRATION 1: MAIN GROUPING



PARTS LISTING - ILLUSTRATION 1: MAIN GROUPING

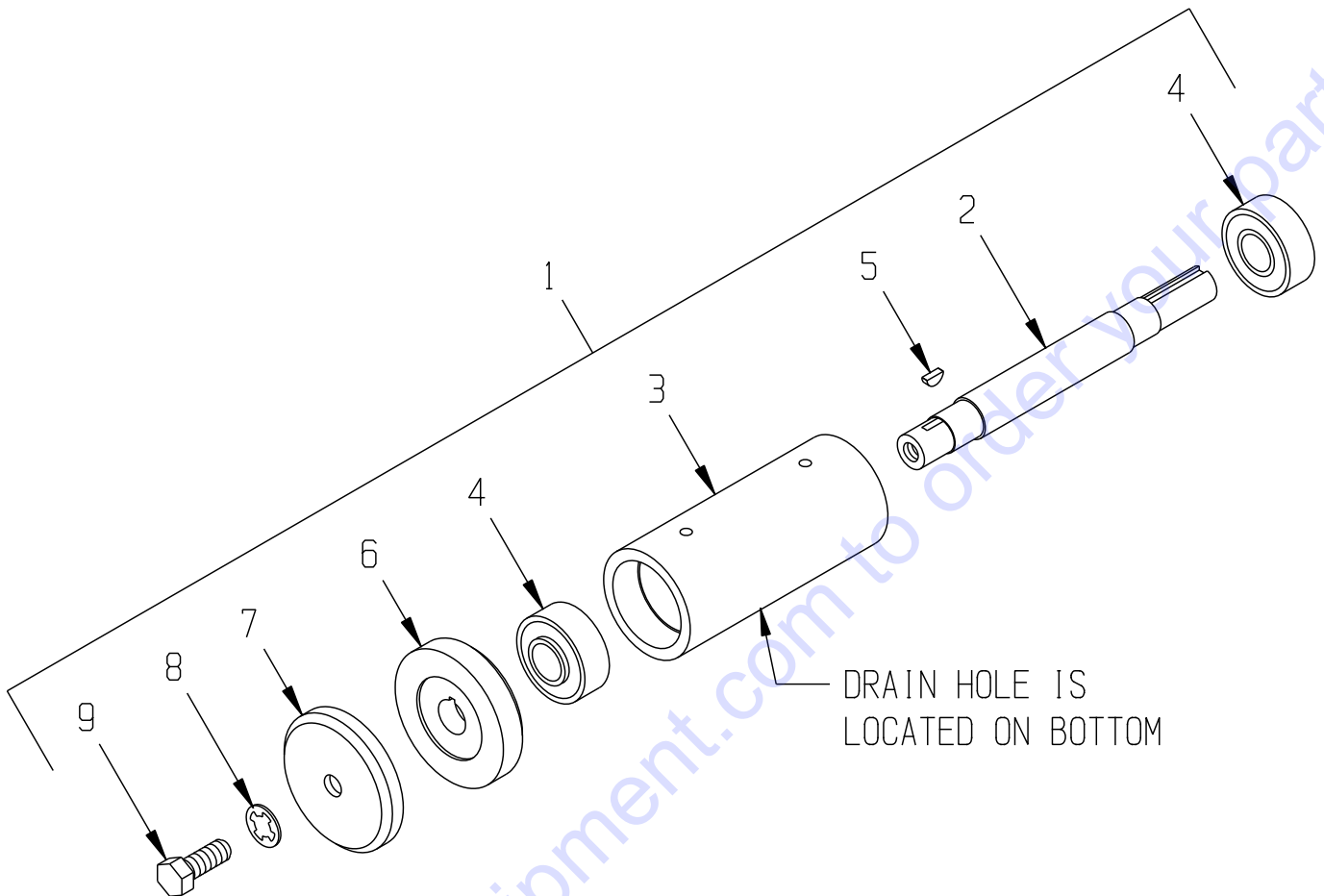
ITEM	PART #	DESCRIPTION	QTY.	ITEM	PART #	DESCRIPTION	QTY.
1	42201	MAIN FRAME	1	25	42208	HOSE 1/4"ID X 30"L	1
2	42148	PLUG, SQ. TUBE 1-1/2 X 11 GA.	2	26	42141	HOSE 1/4"ID X 8"L	2
3	42127	RIVET, NYLON PUSH-IN PANEL	4	27	99323	BARBED FITTING, "Y" 1/4"HOSE	1
4	40378	STOPPER ASSEMBLY 1-1/2"	1	28	42113	GUARD, BLADE 10"	1
5	42204	PAN	1	29	10213	WASHER, FLAT 5/16 SAE ZINC	1
6	42102B	TRACK RAIL 33-3/4"L	2	30	10801	WASHER, LOCK 5/16 ZINC	1
7	11540	SCREW, FLAT HD SLT 1/4-20 X 5/8	4	31	10902	NUT, WING 5/16-18	1
8	10602	WASHER, FLAT 1/4 SAE ZINC	4	32	10010	SCREW, CAP 5/16-18 X 2-1/2	1
9	10861	NUT, KEPS LOCK 1/4-20 ZINC	4	33	42161	FLAP, SPLASH 2-1/2 X 5-1/4	1
10	42220	TABLE COMPLETE, ROLLING (SEE ILLUS. 2 FOR BREAKDOWN)	1	34	10018	SCREW, CAP 1/4-20 X 3/4	1
11	42228	VACUUM PORT TUBE	1	35	10602	WASHER, FLAT 1/4 SAE ZINC	2
12	51078	PLUG, SQ. TUBE 1 X 14 GA.	1	36	10150	NUT, HEX NYLON LOCK 1/4-20	1
13	42229	MOUNTING BRKT., VACUUM PORT TUBE	1	37	42114G	ARBOR ASSY. COMPLETE (SEE ILLUS. 3 FOR BREAKDOWN)	1
14	10834	SCREW, CAP 1/4-20 X 1/2 ZINC	2	38	42128	BRACKET, BLADE GUARD RETAINER	1
15	10861	NUT, KEPS LOCK 1/4-20 ZINC	2	39	42144	COVER, VIBRATION	1
16	42218	DECK, ENGINE & ARBOR	1	40	10018	SCREW, CAP 1/4-20 X 3/4	1
17	10342	SCREW, CAP 5/16-18 X 1-1/2	4	41	10834	SCREW, CAP 1/4-20 X 1/2	3
18	42203	WASHER 5/16"ID X 1"OD X 1/8"THK	4	42	10038	WASHER, LOCK 1/4 ZINC	4
19	79035	BUSHING, RUBBER 1-1/16 X 5/8 X 1/4	4	43	10602	WASHER, FLAT 1/4 SAE ZINC	4
20	10225	BUSHING, RUBBER, ENGINE MOUNT	4	44	42217	COVER, BELT	1
21	42224	BUSHING, RUBBER 1"OD X 3/8"ID X 1/8 (USED FOR SHIM AS REQ'D.)	-	45	10018	SCREW, CAP 1/4-20 X 3/4	3
22	10807	NUT, HEX LOCK 5/16-18 ZINC	4	46	10038	WASHER, LOCK 1/4 ZINC	2
23	11570	INSERT, SWVL.FEM. 1/4HOSE X 3/4GHT	1	47	10602	WASHER, FLAT 1/4 SAE ZINC	4
24	42131	CLAMP, TUBE, FLOW CONTROL	1	48	10861	NUT, KEPS LOCK 1/4-20 ZINC	1
				49	10341	SCREW, CAP 5/16-18 X 2-1/4	1
				50	10213	WASHER, FLAT 5/16 SAE ZINC	1
				51	10801	WASHER, LOCK 5/16 ZINC	1
				52	10902	NUT, WING 5/16-18	1

ILLUSTRATION 2: ROLLING TABLE ASSEMBLY



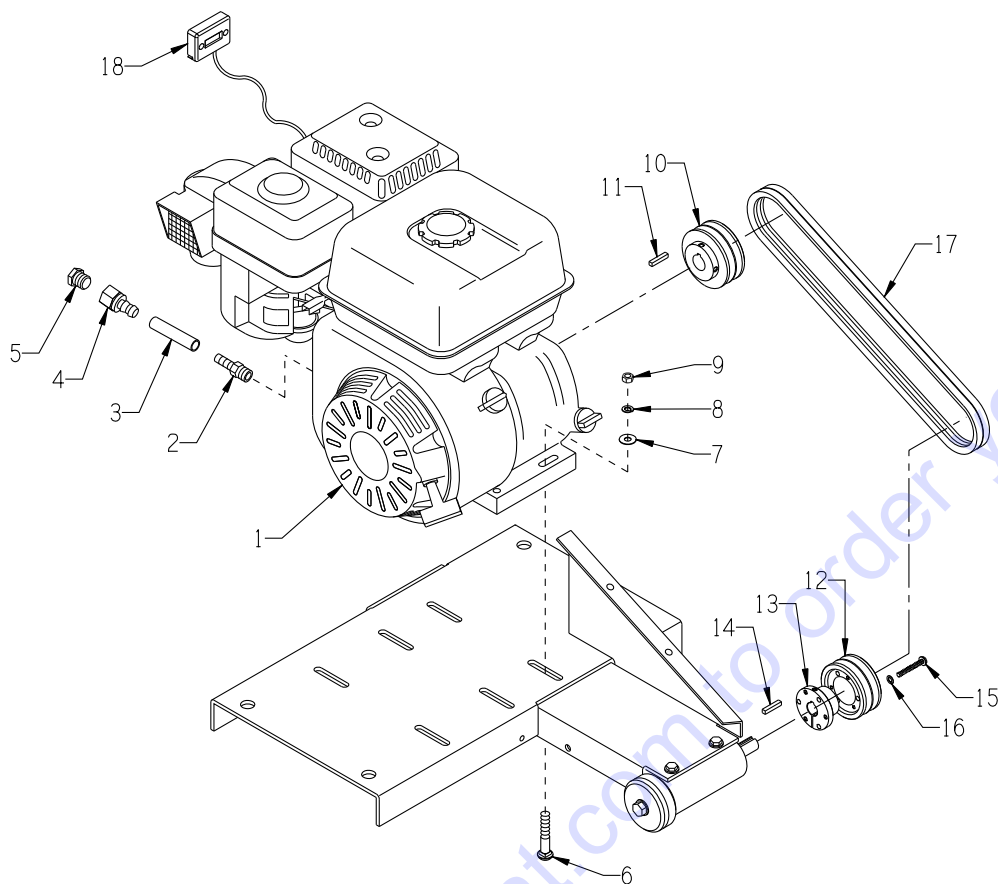
ITEM	PART #	DESCRIPTION	QTY.	ITEM	PART #	DESCRIPTION	QTY.
1	42220	TABLE COMPLETE, ROLLING (INCLUDES ITEMS 2 THRU 20)	1	12	11704	WASHER, FLAT .257 X .624 X .060THK	2
2	42226	TABLE, ROLLING	1	13	10015	NUT, HEX LOCK 1/4-20 ZINC	1
3	42222	RUBBER PAD 12 X 7-1/2 X 3/16	1	14	14082	PULLEY BEARING 1-1/4DIA. X 1/4BORE	4
4	42221	RUBBER PAD 12 X 8 X 3/16	1	15	10031	SCREW, CAP 1/4-20 X 1	4
5	42227	TABLE FRONT PANEL (2 PCS)	1	16	10602	WASHER, FLAT 1/4 SAE ZINC	4
6	10018	SCREW, CAP 1/4-20 X 3/4	3	17	10861	NUT, KEPS LOCK 1/4-20 ZINC	4
7	10602	WASHER, FLAT 1/4 SAE ZINC	7	18	42205	GUIDE ASSY., STRAIGHT CUT (INCLUDES ITEMS 19 & 20)	1
8	10861	NUT, KEPS LOCK 1/4-20 ZINC	3	19	42206	GUIDE ONLY, STRAIGHT CUT	1
9	10031	SCREW, CAP 1/4-20 X 1	1	20	40425	KNOB, 3-PRONG W/ 3/8-16 X 5/8 STUD	1
10	42106	LATCH, ROLLING TABLE	1				
11	10013	NUT, HEX 1/4-20 ZINC	1				

ILLUSTRATION 3: ARBOR ASSEMBLY



ITEM #	PART #	DESCRIPTION	QTY.
1	42114G	ARBOR ASSY. COMPLETE (INCLUDES ITEMS 2 THRU 9)	1
2	42115	ARBOR SHAFT 6-3/4"L	1
3	42116	ARBOR HOUSING	1
4	42119	BEARING, RADIAL BALL 17mm X 40mm X .563in	2
5	40036	KEY, WOODRUFF 1/8 X 3/8 (#403)	1
6	42117	ARBOR BACKING PLATE 2-1/2"	1
7	42118	ARBOR BLADE CAP 2-1/2"	1
8	10453	WASHER, LOCK, INT. TOOTH 3/8"	1
9	10021	SCREW, CAP 3/8-24 X 1	1

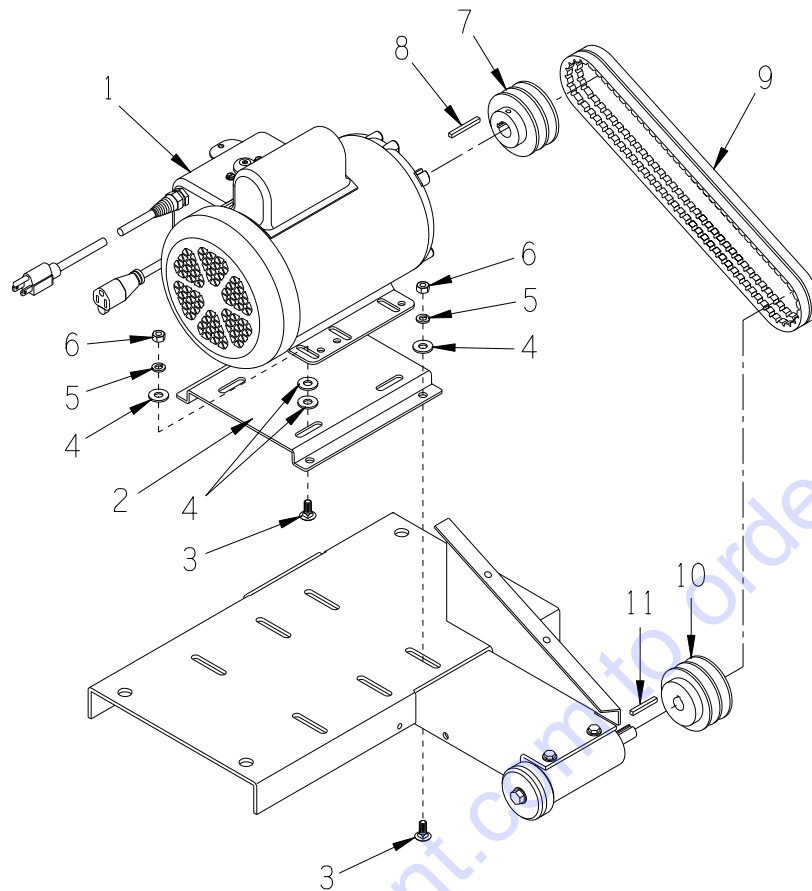
ILLUSTRATION 4: ENGINE GROUPING



ITEM #	PART #	DESCRIPTION	QTY.
1	15044 40387	ENGINE W/ CYCLONE AIR CLEANER HONDA GX120-QXC9 HONDA GX160-QXC9	1
2	11541	BARB, PUSH-ON 3/8 HOSE X10MM X 1.25	1
3	56116	HOSE, PUSH-ON 3/8"ID X 3"L	1
4	11544	BARB, PUSH-ON 3/8 HOSE X 1/4FPT	1
5	10776	PIPE PLUG 1/4 NPT (BRASS)	1
6	10817	BOLT, CARRIAGE 5/16-18 X 1-1/2 F.T.	4
7	10213	WASHER, FLAT 5/16 SAE ZINC	4
8	10801	WASHER, LOCK 5/16 ZINC	4
9	10054	NUT, HEX 5/16-18 ZINC	4
10	40694	SHEAVE 2.75"OD X 2GR.3V X 3/4"BORE	1
11	-----	KEY 3/16"SQ. (INCLUDED W/ ENGINE)	1
12	40695	SHEAVE 2.65"OD X 2GR.3V X JA	1
13	28064	BUSHING, SHEAVE JA X 5/8"BORE	1
14	10060	KEY 3/16 SQ X 1-1/4	1
15	11742	SCREW, MACHINE 10-24 X 1.5 HWHSLMS	3
16	10831	WASHER, LOCK, INT. TOOTH #10	3
17	10201	BELT 3VX-335 (3/8" x 33.5")	2
18	15138	HOUR METER, INDUCTIVE (OPTIONAL)	1

ILLUSTRATION 5: MOTOR GROUPING

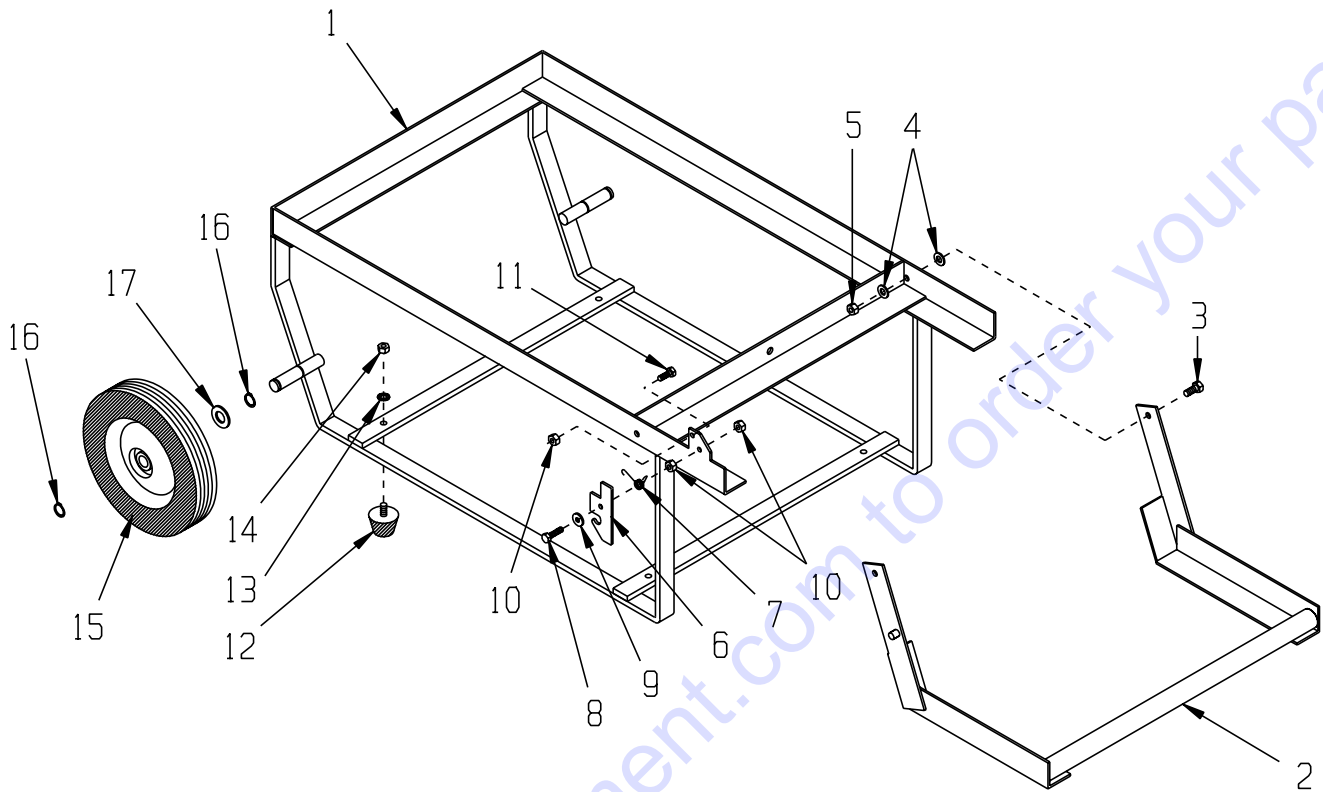
E-GMS10-PL-0912



ITEM #	PART #	DESCRIPTION	QTY.
1	16061	MOTOR, BALDOR 1.5HP-1P 60HZ 3450RPM (S/N 35V801R760G1)	1
		REPLACEMENT PARTS:	
	16164	CAPACITOR, RUN, BALDOR #OC3040F09SP 40MFD 370V	1
	16163	RESET BUTTON, BALDOR TPCRT40CA	1
	40051	CAPACITOR, START, BALDOR EC1645A06 645-774MFD 125V	1
	16510	SWITCH, TOGGLE DPST 20A SPAD	1
2	42237	MOUNT BRKT., MOTOR	1
3	10819	BOLT, CARRIAGE 5/16-18 X 1 FULL THD	8
4	10213	WASHER, FLAT 5/16 SAE ZINC	16
5	10801	WASHER, LOCK 5/16 ZINC	8
6	10054	NUT, HEX 5/16-18 ZINC	8
7	40005	SHEAVE 3"OD X 2GR.A X 3/4"BORE	1
8	10060	KEY 3/16 SQ X 1-1/4	1
9	10283	BELT AX-35	2
10	42219	SHEAVE 3"OD X 2GR.A X 5/8"BORE	1
11	10060	KEY 3/16 SQ X 1-1/4	1

ILLUSTRATION 6: OPTIONAL LOW PROFILE CART

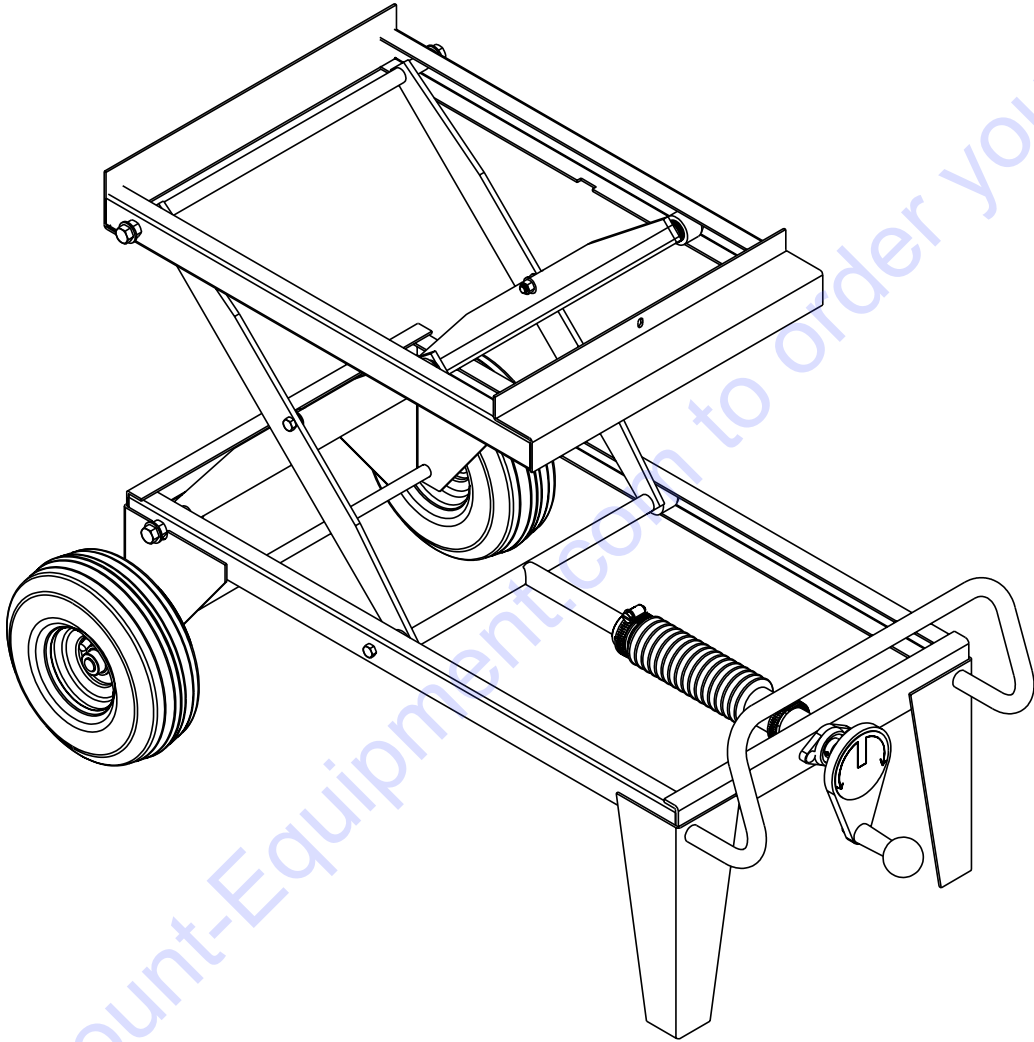
PART # 24650



ITEM #	PART #	DESCRIPTION	QTY.
1	24651	CART ONLY	1
2	24652	HANDLE, CART	1
3	10053	SCREW, CAP 5/16-18 X 3/4	2
4	10213	WASHER, FLAT 5/16 SAE ZINC	4
5	10807	NUT, HEX LOCK 5/16-18 ZINC	2
6	24653	LATCH, CART HANDLE	1
7	42225	SPRING, TORSION	1
8	10031	SCREW, CAP 1/4-20 X 1	1
9	10602	WASHER, FLAT 1/4 SAE ZINC	1
10	10015	NUT, HEX LOCK 1/4-20 ZINC	3
11	10018	SCREW, CAP 1/4-20 X 3/4	1
12	10931	MOUNT, TAPERED RUBBER 5/16-18	4
13	10436	WASHER, LOCK, EXT. TOOTH 5/16"	4
14	10054	NUT, HEX 5/16-18 ZINC	4
15	24654	WHEEL 8 X 1-3/4 X 5/8" BRG.	2
16	11575	RETAINING RING, EXT. 5/8"	4
17	10073	WASHER, FLAT 5/8 SAE ZINC	2

ILLUSTRATION 7: OPTIONAL PROCART

PART # 24750



ADJUSTABLE SCISSOR STYLE CART

REFER TO THE PROCART PARTS LIST MANUAL
FOR THE PARTS BREAKDOWN INFORMATION

ILLUSTRATION 8: OPTIONAL FOLDING STAND

PART # 24150

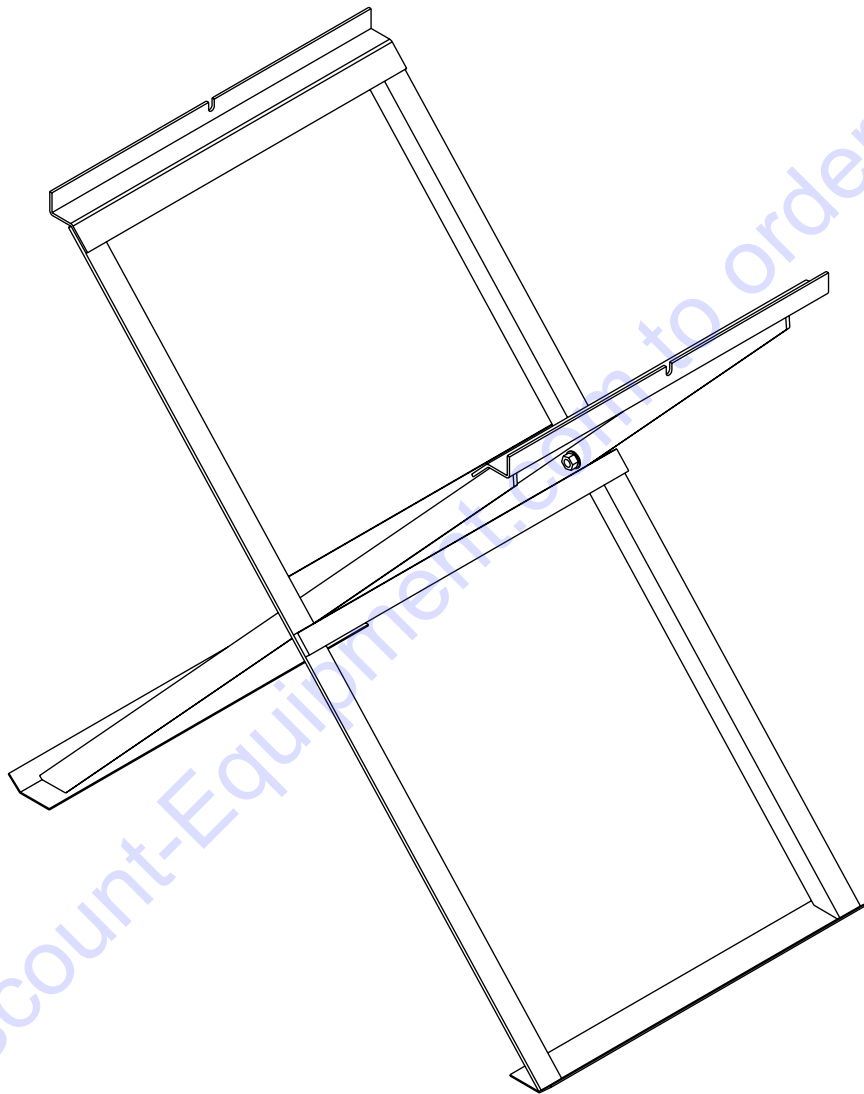
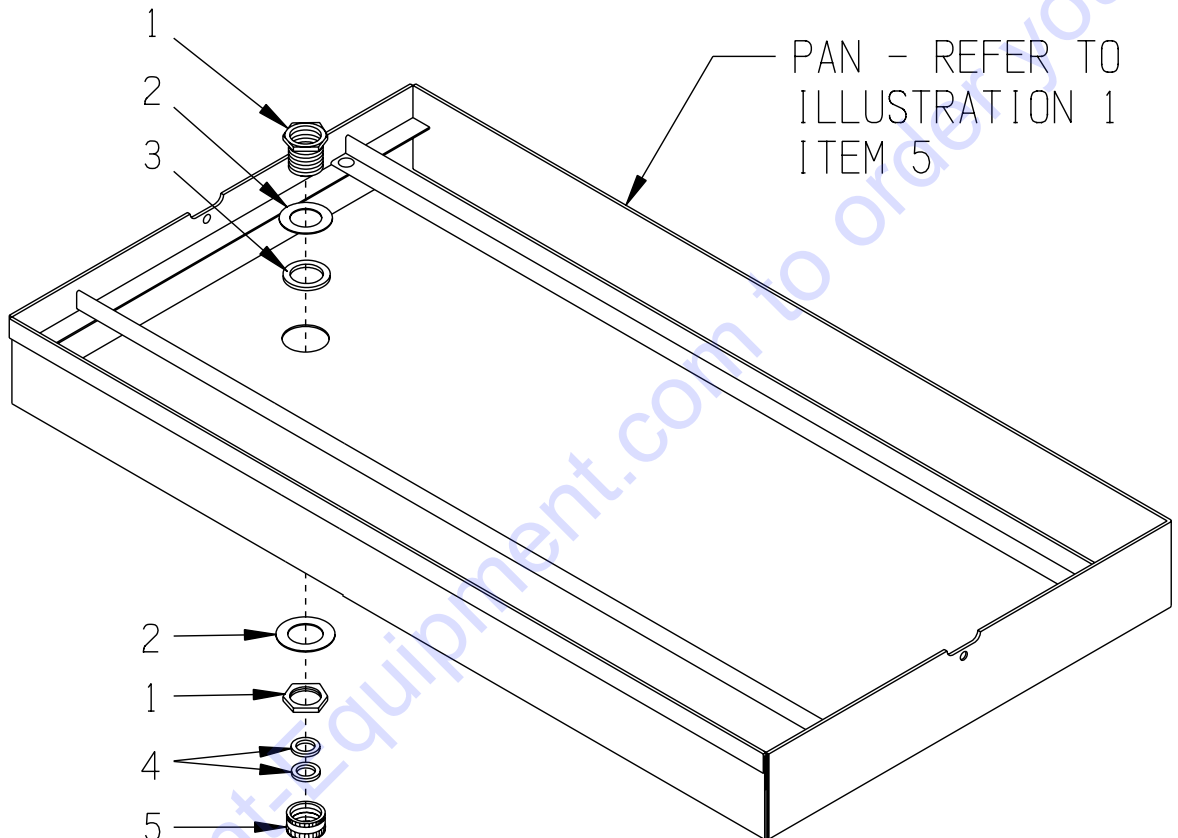


ILLUSTRATION 9: OPTIONAL DRAIN ASSEMBLY**PART # 42250**

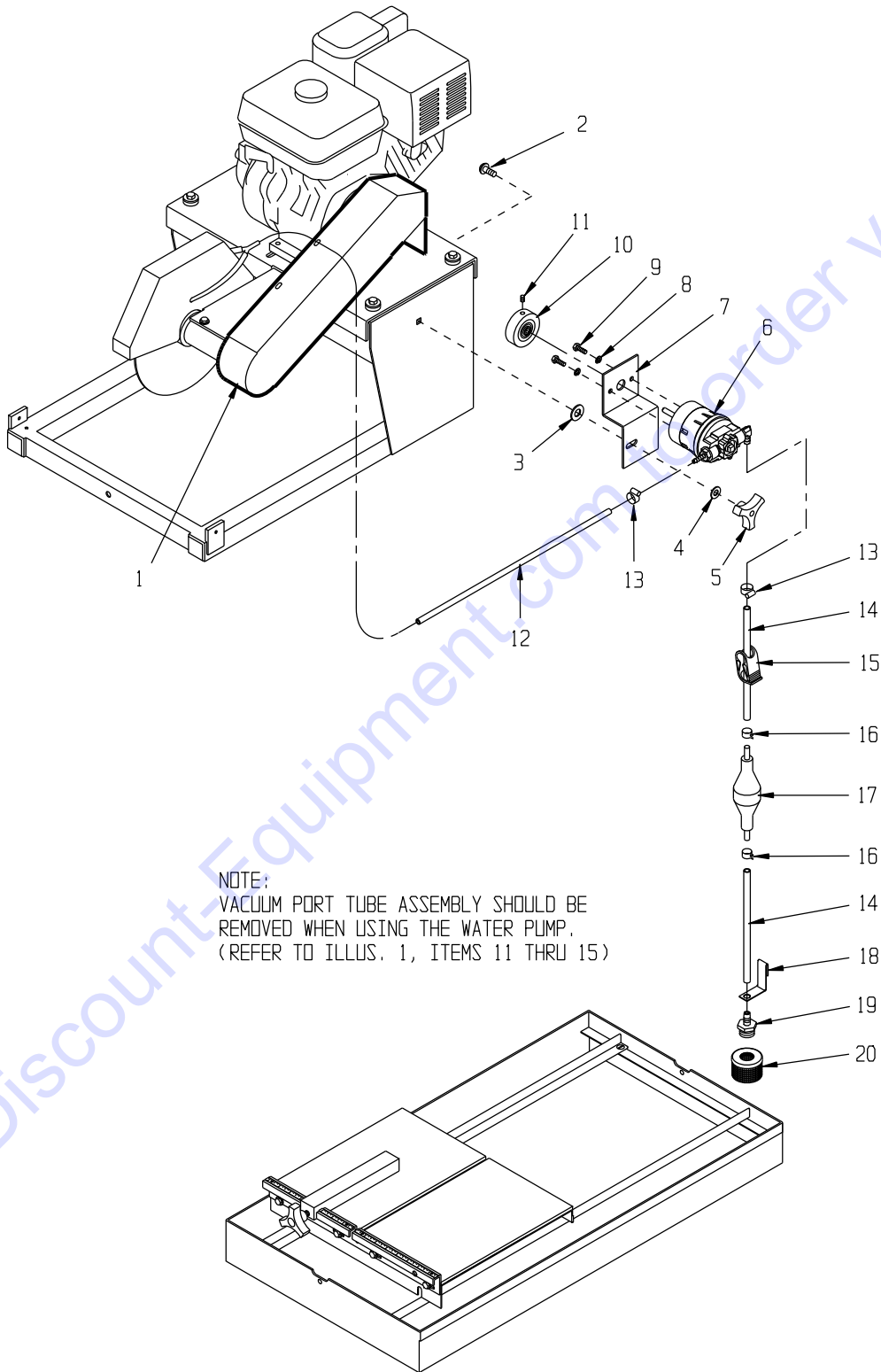
INCLUDES ITEMS SHOWN BELOW

USE IN PLACE OF DRAIN PLUG
(ILLUSTRATION 1 - ITEM 4)

ITEM #	PART #	DESCRIPTION	QTY.
1	42251	FITTING, DRAIN 3/4NH X 1/2FPT BRASS (INCLUDES THIN JAM NUT)	1
2	10444	WASHER, ALUM. 1.885ODX1.060IDX .040	2
3	42252	WASHER, RUBBER 1-1/16IDX1-1/2ODX1/8	1
4	10070	WASHER, HOSE 3/4	2
5	42253	CAP, HOSE END (BRASS)	1

ILLUSTRATION 10: OPTIONAL WATER PUMP KIT

PART # 24625



PARTS LISTING - ILLUSTRATION 10 : OPTIONAL WATER PUMP KIT			
ITEM #	PART #	DESCRIPTION	QTY.
1	42223	COVER, BELT, WATER PUMP OPTION	1
2	10802	BOLT, CARRIAGE 3/8-16 X 1 ZINC	1
3	10312	WASHER, FLAT 1/2 SAE ZINC	1
4	10025	WASHER, FLAT 3/8 SAE ZINC	1
5	80011	KNOB, 3-PRONG W/ 3/8-16 THD.	1
6	40685	PUMP ASSY., WATER, BB14G GMS10 (PARTS BREAKDOWN IS AVAILABLE)	1
7	42211	BRACKET, WATER PUMP	1
8	10038	WASHER, LOCK 1/4 ZINC	2
9	10018	SCREW, CAP 1/4-20 X 3/4	2
10	40624	WHEEL, WATER PUMP 2-1/8"	1
11	10161	SCREW, SET 1/4-28 X 5/16	1
12	42143	HOSE 1/4"ID X 18"L	1
13	10714	CLAMP, HOSE, SAE #4, ADJ. TO 5/8"	2
14	42232	HOSE 5/16"ID X 8"L	2
15	42131	CLAMP, TUBE, FLOW CONTROL 3/4"	1
16	10763	CLAMP, HOSE SPRING-TYPE 7/16" RED	2
17	40049	BULB, PRIMER 5/16"	1
18	40693	CLIP, FILTER HANGER (S.S.)	1
19	40692	BARB, 3/8HOSE X 3/4NPT (NYLON)	1
20	40691	FILTER BASKET 3/4NPT, 16 MESH S.S.	1

ILLUSTRATION 11: OPTIONAL 115V WATER PUMP KIT

PART # 42320

ELECTRIC MODEL ONLY

Connect the white plastic adapter fitting to the garden hose fitting that runs to the blade guard. Submerge the pump in water. Note: The pump may interfere with the rolling table if used in the pan. It can be used from a bucket, barrel or a external pan filled with water. Then connect the male plug to the female connector that is on the motor. The pump will now turn on and off with the motor.

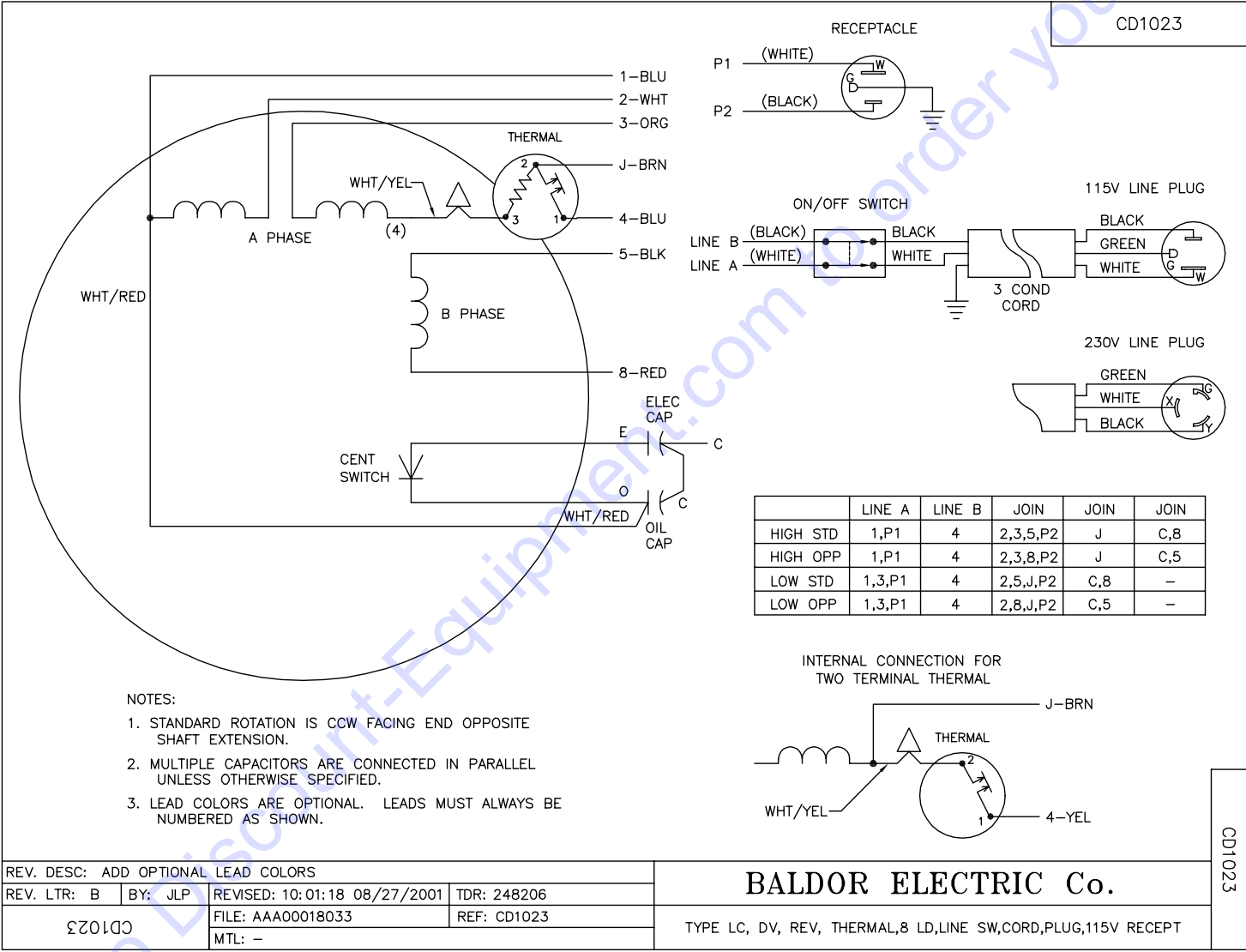


KIT INCLUDES:

- 115 VAC SUBMERSIBLE PUMP P/N 42130
- ADAPTER, FEMALE 1/8FNPT X 1/4"HOSE P/N 42165
- 6FT. PVC TUBING 1/4"ID P/N 11532
- ADAPTER FITTING, MALE GHT X 1/4BARB . . . P/N 42321

WIRING DIAGRAM FOR MOTOR

BALDOR SPEC. NO. 35V801R760G1 1.5HP 1-PHASE 60Hz 115/230V



PARTS FINDER

**Search Website
by Part Number**



**Search Manual
Library For Parts
Manual & Lookup Part
Numbers – Purchase
or Request Quote**

Search Manuals

Enter your information to help us find the right parts manual for your machine.

* Brand:

* Model:

* Serial:

* Part Number:

SEARCH

**Can't Find Part or
Manual? Request Help
by Manufacturer,
Model & Description**

Parts Order Form

Please fill in the following information to help us find the right part for your machine.

MANUFACTURER:

MODEL:

DESCRIPTION:

SEARCH

Discount-Equipment.com is your online resource for quality parts & equipment.

Florida: **561-964-4949** Outside Florida TOLL FREE: **877-690-3101**

Need parts?

Click on this link: <http://www.discount-equipment.com/category/5443-parts/> and choose one of the options to help get the right parts and equipment you are looking for. Please have the machine model and serial number available in order to help us get you the correct parts. If you don't find the part on the website or on one of the online manuals, please fill out the request form and one of our experienced staff members will get back to you with a quote for the right part that your machine needs.

We sell worldwide for the brands: Genie, Terex, JLG, MultiQuip, Mikasa, Essick, Whiteman, Mayco, Toro Stone, Diamond Products, Generac Magnum, Airman, Haulotte, Barreto, Power Blanket, Nifty Lift, Atlas Copco, Chicago Pneumatic, Allmand, Miller Curber, Skyjack, Lull, Skytrak, Tsurumi, Husquvarna Target, Stow, Wacker, Sakai, Mi-T-M, Sullair, Basic, Dynapac, MBW, Weber, Bartell, Bennar Newman, Haulotte, Ditch Runner, Menegotti, Morrison, Contec, Buddy, Crown, Edco, Wyco, Bomag, Laymor, EZ Trench, Bil-Jax, F.S. Curtis, Gehl Pavers, Heli, Honda, ICS/PowerGrit, IHI, Partner, Imer, Clipper, MMD, Koshin, Rice, CH&E, General Equipment, Amida, Coleman, NAC, Gradall, Square Shooter, Kent, Stanley, Tamco, Toku, Hatz, Kohler, Robin, Wisconsin, Northrock, Oztec, Toker TK, Rol-Air, APT, Wylie, Ingersoll Rand / Doosan, Innovatech, Con X, Ammann, Mecalac, Makinex, Smith Surface Prep, Small Line, Wanco, Yanmar