



REVISED STARTING
SERIAL #080410005

GMS-10

PARTS LIST MANUAL



SHOWN WITH OPTIONAL CART

10" HARDSCAPE SAWS

SKU NO.	MODEL	POWER OPTION
24600	GMS10-4H	HONDA ENGINE GX120U1-QXC9 W/ CYCLONE AIR CLEANER
24700	GMS10-5.5H	HONDA ENGINE GX160U1-QXC9 W/ CYCLONE AIR CLEANER
26100	GMS10-1.5B	BALDOR MOTOR 1.5 HP-1PH-60HZ-115/230V-14/7FLA



A Division of Equipment Development Company, Inc.

PARTS FINDER

**Search Website
by Part Number**



**Search Manual
Library For Parts
Manual & Lookup Part
Numbers – Purchase
or Request Quote**

Search Manuals

Enter your information to help us find the right parts manual for your machine.

* Brand:

* Model:

* Serial:

* Part Number:

SEARCH

**Can't Find Part or
Manual? Request Help
by Manufacturer,
Model & Description**

Parts Order Form

Please fill in the following information to help us find the right part for your machine.

Manufacturer:	<input type="text"/>
Model:	<input type="text"/>
Description:	<input type="text"/>
Part Number:	<input type="text"/>
Quantity:	<input type="text"/>
Notes:	<input type="text"/>

Submit

Discount-Equipment.com is your online resource for quality parts & equipment.

Florida: **561-964-4949** Outside Florida TOLL FREE: **877-690-3101**

Need parts?

Click on this link: <http://www.discount-equipment.com/category/5443-parts/> and choose one of the options to help get the right parts and equipment you are looking for. Please have the machine model and serial number available in order to help us get you the correct parts. If you don't find the part on the website or on one of the online manuals, please fill out the request form and one of our experienced staff members will get back to you with a quote for the right part that your machine needs.

We sell worldwide for the brands: Genie, Terex, JLG, MultiQuip, Mikasa, Essick, Whiteman, Mayco, Toro Stone, Diamond Products, Generac Magnum, Airman, Haulotte, Barreto, Power Blanket, Nifty Lift, Atlas Copco, Chicago Pneumatic, Allmand, Miller Curber, Skyjack, Lull, Skytrak, Tsurumi, Husquvarna Target, Stow, Wacker, Sakai, Mi-T-M, Sullair, Basic, Dynapac, MBW, Weber, Bartell, Bennar Newman, Haulotte, Ditch Runner, Menegotti, Morrison, Contec, Buddy, Crown, Edco, Wyco, Bomag, Laymor, EZ Trench, Bil-Jax, F.S. Curtis, Gehl Pavers, Heli, Honda, ICS/PowerGrit, IHI, Partner, Imer, Clipper, MMD, Koshin, Rice, CH&E, General Equipment, Amida, Coleman, NAC, Gradall, Square Shooter, Kent, Stanley, Tamco, Toku, Hatz, Kohler, Robin, Wisconsin, Northrock, Oztec, Toker TK, Rol-Air, APT, Wylie, Ingersoll Rand / Doosan, Innovatech, Con X, Ammann, Mecalac, Makinex, Smith Surface Prep, Small Line, Wanco, Yanmar

READ AND UNDERSTAND THE OPERATORS INSTRUCTION MANUAL THOROUGHLY BEFORE ATTEMPTING TO OPERATE THIS EQUIPMENT. Death or serious injury could occur if this machine is used improperly.



SAFETY MESSAGES



The safety instructions are preceded by a graphic alert message of DANGER, WARNING, or CAUTION.



Indicates an imminent hazard which, if not avoided, will result in death or serious injury.



Indicates an imminent hazard which, if not avoided, can result in death or serious injury.



Indicates hazards which, if not avoided, could result in serious injury and or damage to the equipment.

GASOLINE Powered Equipment



- Do not operate gasoline powered equipment without adequate ventilation. Carbon monoxide is an invisible, odorless gas that can kill.

ELECTRICAL Powered Equipment



- ELECTRICAL HAZARD** - Be sure equipment is properly grounded. Failure to comply could kill or result in serious injury.



The engine exhaust from this product contains chemicals known to the State of California to cause cancer, birth defects or other reproductive harm.

GENERAL INSTRUCTIONS



- You must read and understand the operators instruction manual and all other manuals associated with this machine. For your safety and the safety of others around you, it is extremely important to fully understand how to operate this machine in the way it was intended. Different model machines or older/newer versions of the same model may have different parts and controls that you need to understand. If instructions are not readable or available DO NOT USE this machine and contact Discount-equipment for a replacement Manual.
- You must be able to physically handle the bulk weight and power of this machine. If not properly controlled this machine can cause death or serious injury.
- Do not operate this machine in an impaired mental state. You must be able to exercise good judgement and reactions to maintain a safe working environment.
- This is a "one person" machine which means only one operator can be operating the machine at any one time. For the safety of others, maintain a safe operating distance to other personnel. Your work area should be defined and appropriately marked so bystanders and coworkers do not stand or walk near this machine and end up seriously injured by flying debris or exposing them to harmful noise or dust.
- This equipment is for Commercial use. Although this is a "one person" machine your work team should understand how to shut this machine off and quickly get medical help if an accident strikes the operator.
- Keep all guards in place during operation. The guards are to provide protection from inadvertent contact with dangerous moving parts, pinch points, or hot surfaces.
- Wear appropriate Personal Protective Equipment (PPE) including safety glasses, safety boots, work gloves, respiratory protection, hearing protection, and head protection. Do not wear loose clothing that can get tangled in moving parts. Failure to do so could result

in dismemberment or death. **Wear an approved respirator when removing hazardous materials or when grinding/cutting dry materials. Some dust particles such as concrete dust can contain silicate particles which can cause silicosis (a very serious lung disease). Contact NIOSH or OSHA for further details. When wet grinding/cutting, avoid contact with the concrete/asphalt slurry which can cause serious skin irritations.**

- You must maintain this machine per the maintenance schedule in the operator manual. Remember before adjusting, servicing, or fueling this machine, disconnect the source of power to the machine by disconnecting the spark plug (Gas models), or by unplugging the electrical power cord (electric models) or air hose (Pneumatic models) AT THE MACHINE so you can assure yourself it remains unplugged while you are working on it. Do not modify this machine. Use only genuine EDCO parts and accessories. Repairs and service should be performed by approved EDCO dealers or authorized technicians.
- You should look carefully around the area before you begin work so you can identify potential hazards such as deck inserts, pipes, columns, openings, electrical cords or outlets, or any other objects protruding from the slab surface.
- This machine has no brain so you must use your own. There is no substitute for safety. The safety decals on the machine are to serve as a reminder for information you must already know before you begin using this machine. Take a moment to reread the safety decals each time you use the machine. If your machine is missing any decals, contact Discount-equipment for a replacement.

PARTS LIST MANUAL

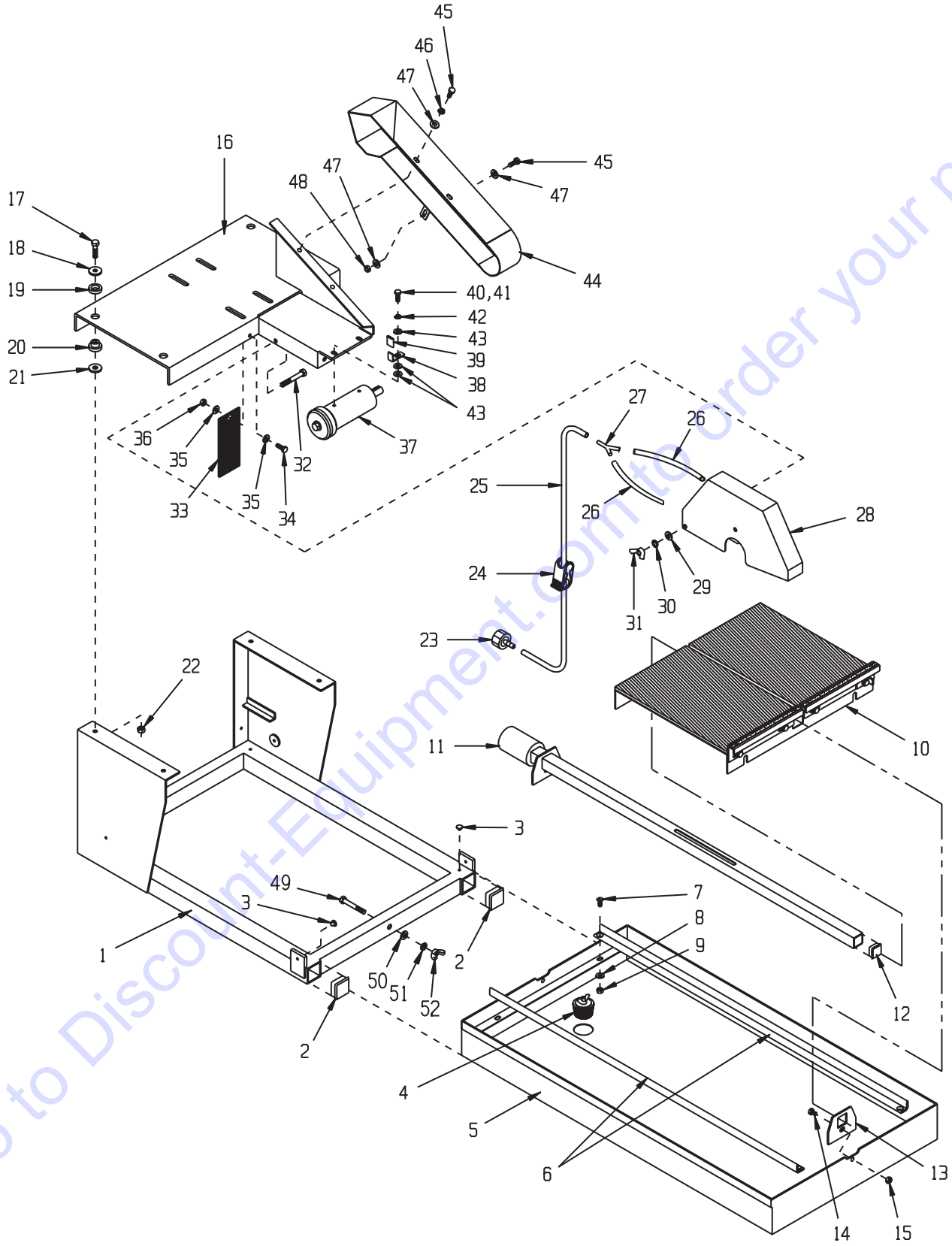
MODEL GMS10 10" HARDSCAPE SAW

<u>Section</u>	<u>Page Number</u>
Safety Messages and General Instructions	2
How To Order Replacement Parts	3
Illustration 1: Main Grouping	4,5
Illustration 2: Rolling Table Assembly	6
Illustration 3: Arbor Assembly	7
Illustration 4: Engine Grouping	8
Illustration 5: Motor Grouping	9
Illustration 6: Optional Low ProfileCart	10
Illustration 7: Optional ProCart	11
Illustration 8: Optional Folding Stand	12
Illustration 9: Optional Drain Assembly	13
Illustration 10: Optional Water Pump Kit	14,15
Illustration 11: Water Pump Assembly	16
Illustration 12: Optional 115V Water Pump Assembly	17
Wiring Diagram for Baldor Motor	18
Notes	19
Limited Equipment Warranty of Sale	Back Page



A Division of Equipment Development Company, Inc.

ILLUSTRATION 1 : MAIN GROUPING



Go to Discount-Equipment.com to order your parts

PARTS LISTING - ILLUSTRATION 1: MAIN GROUPING

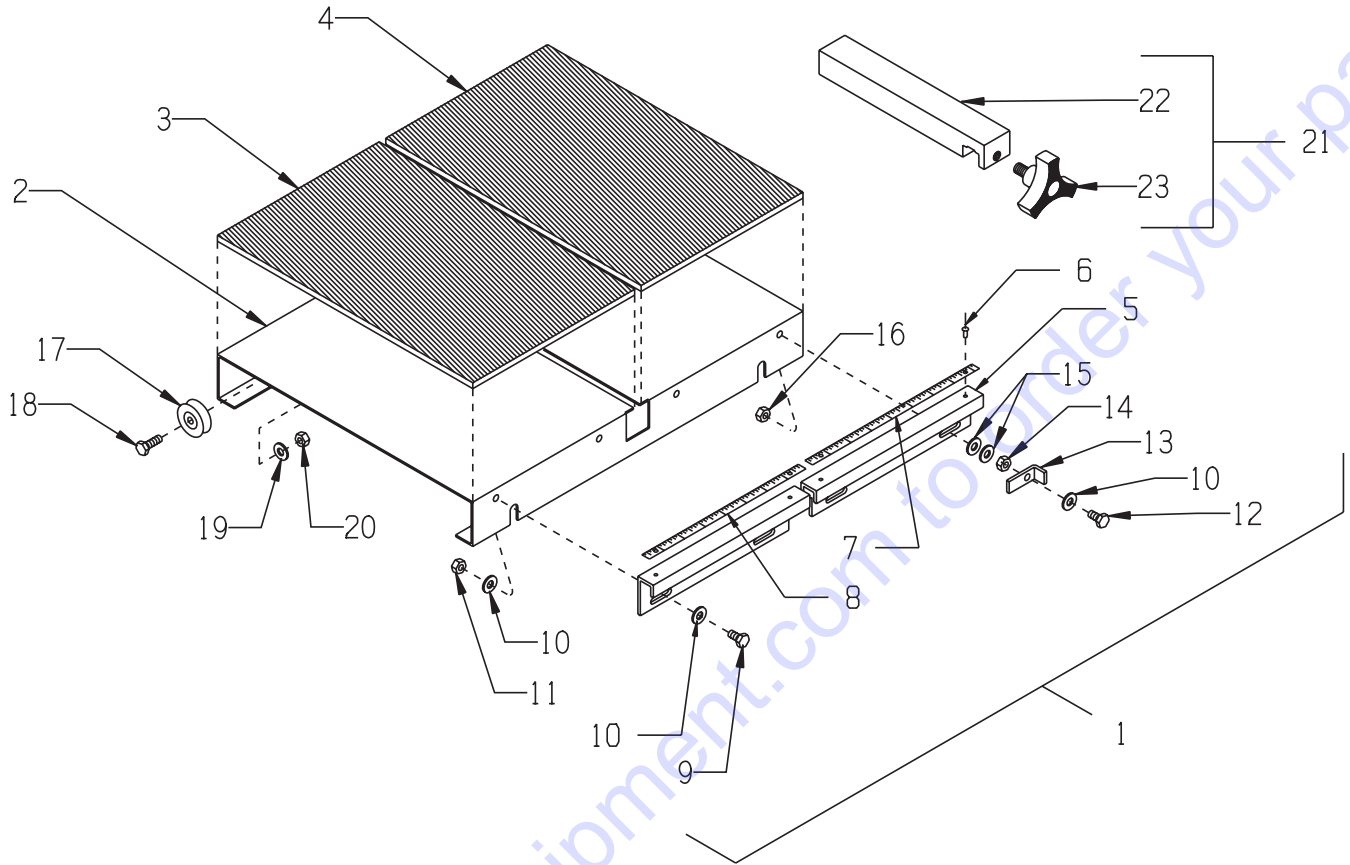
ITEM #	PART #	DESCRIPTION	QTY.	ITEM #	PART #	DESCRIPTION	QTY.
1	42201	MAIN FRAME	1	27	99323	BARBED FITTING, "Y" 1/4"HOSE	1
2	42148	PLUG, SQ. TUBE 1-1/2 X 11 GA., BLK	2	28	42113	GUARD, BLADE 10"	1
3	42127	RIVET, NYLON PUSH-IN PANEL	4	29	10213	WASHER, FLAT 5/16 SAE	1
4	40378	STOPPER ASSEMBLY 1-1/2"	1	30	10801	WASHER, LOCK 5/16	1
5	42204	PAN	1	31	10902	NUT, WING 5/16-18	1
6	42102B	TRACK RAIL 33-3/4"L	2	32	10010	SCREW, CAP 5/16-18 X 2-1/2	1
7	11540	SCREW, FLAT HD SLT 1/4-20 X 5/8	4	33	42314	FLAP, SPLASH 2-1/2 X 5-1/4	1
8	10602	WASHER, FLAT 1/4 SAE	4	34	10018	SCREW, CAP 1/4-20 X 3/4	1
9	10861	NUT, KEPS 1/4-20	4	35	10602	WASHER, FLAT 1/4 SAE	2
10	42220	TABLE COMPLETE, ROLLING (REFER TO ILLUS. 2 FOR BREAKDOWN)	1	36	10150	NUT, HEX NYLON LOCK 1/4-20	1
11	42228	VACUUM PORT TUBE	1	37	42114G	ARBOR ASSY. COMPLETE (REFER TO ILLUS. 3 FOR BREAKDOWN)	1
12	51078	PLUG, SQ. TUBE 1 X 14 GA., BLACK	1	38	42128	BRACKET, BLADE GUARD RETAINER	1
13	42229	MOUNTING BRKT., VACUUM PORT TUBE	1	39	42144	COVER, VIBRATION	1
14	10834	SCREW, CAP 1/4-20 X 1/2	2	40	10018	SCREW, CAP 1/4-20 X 3/4	1
15	10861	NUT, KEPS 1/4-20	2	41	10834	SCREW, CAP 1/4-20 X 1/2	3
16	42218	DECK, ENGINE & ARBOR	1	42	10038	WASHER, LOCK 1/4	4
17	10342	SCREW, CAP 5/16-18 X 1-1/2	4	43	10602	WASHER, FLAT 1/4 SAE	4
18	42203	WASHER 5/16"ID X 1"OD X 1/8"THK	4	44	42217	COVER, BELT	1
19	79035	BUSHING, RUBBER 1-1/16"OD X 5/8"ID	4	45	10018	SCREW, CAP 1/4-20 X 3/4	3
20	10225	BUSHING, RUBBER, ENGINE MOUNT	4	46	10038	WASHER, LOCK 1/4	2
21	42224	BUSHING, RUBBER 1"OD X 3/8"ID X 1/8 (USED AS A SHIM WHEN REQ'D.)		47	10602	WASHER, FLAT 1/4 SAE	4
22	10807	NUT, LOCK 5/16-18	4	48	10861	NUT, KEPS 1/4-20	1
*23	11570	INSERT, SWVL.FEM. 1/4HOSE X 3/4GHT	1	49	10341	SCREW, CAP 5/16-18 X 2-1/4	1
24	42131	CLAMP, TUBE, FLOW CONTROL 3/4"	1	50	10213	WASHER, FLAT 5/16 SAE	1
*25	42208	HOSE 1/4"ID X 30"L	1	51	10801	WASHER, LOCK 5/16	1
26	42141	HOSE 1/4"ID X 8"L	2	52	10902	NUT, WING 5/16-18	1

* NOTE: USED ON UNITS WITH OUT THE WATER PUMP OPTION.
FOR UNITS WITH THE WATER PUMP - SEE ILLUSTRATION 10.



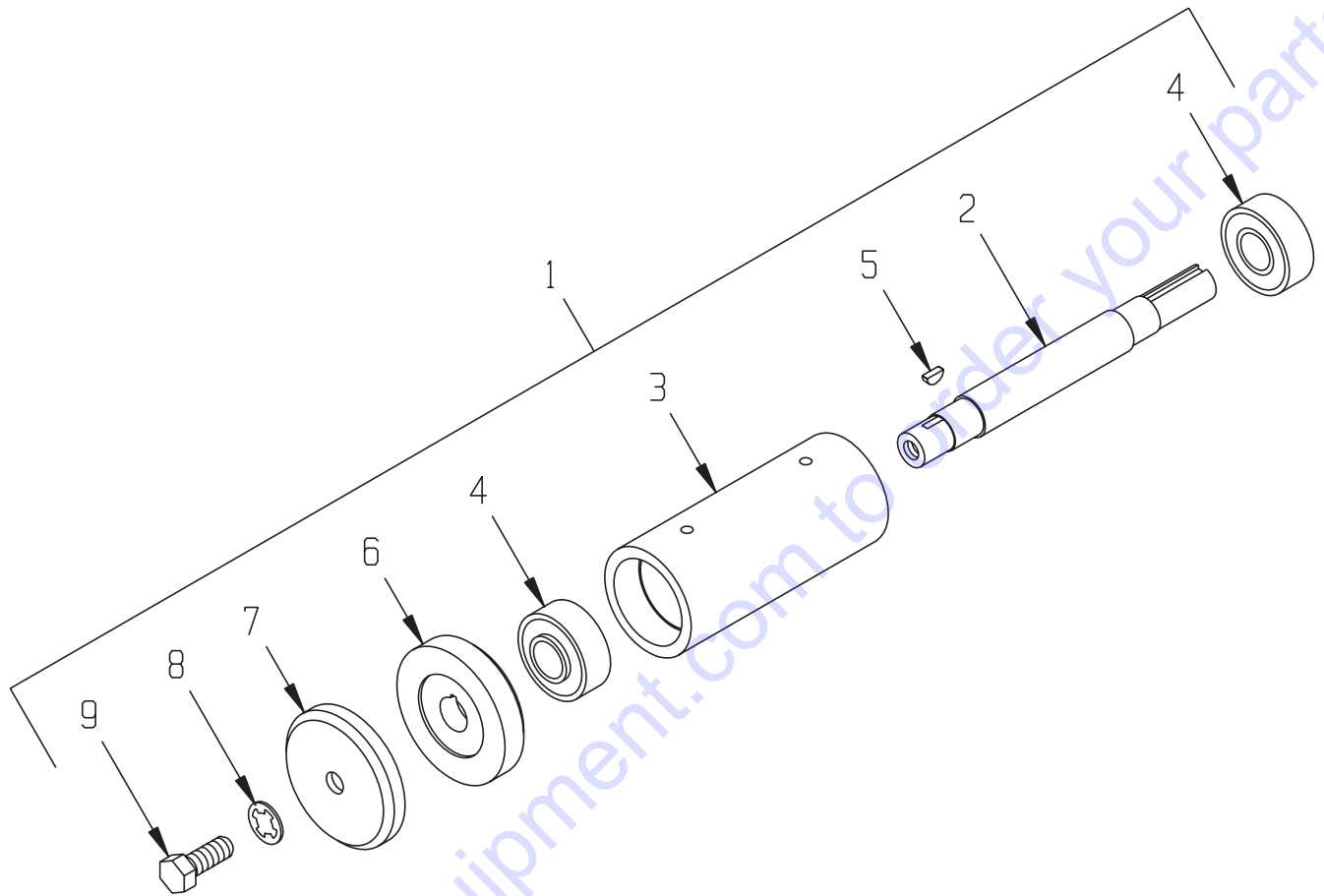
A Division of Equipment Development Company, Inc.

ILLUSTRATION 2: ROLLING TABLE ASSEMBLY



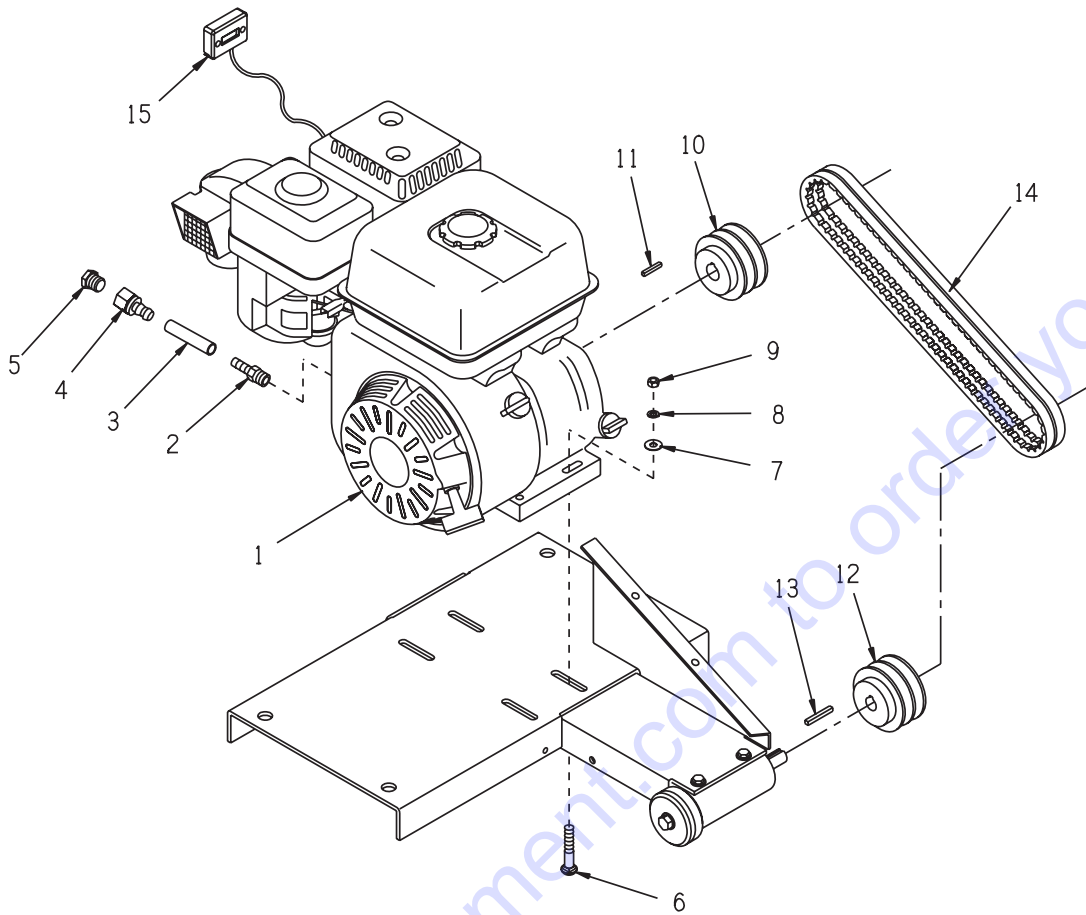
ITEM #	PART #	DESCRIPTION	QTY.	ITEM #	PART #	DESCRIPTION	QTY.
1	42220	TABLE COMPLETE, ROLLING (INCLUDES ITEMS 2 THRU 23)	1	13	42106	LATCH, ROLLING TABLE	1
2	42226	TABLE, ROLLING	1	14	10013	NUT 1/4-20	1
3	42222	RUBBER PAD 12 X 7-1/2 X 3/16	1	15	11704	WASHER, FLAT .257 X .624 X .060THK	2
4	42221	RUBBER PAD 12 X 8 X 3/16	1	16	10015	NUT, LOCK 1/4-20	1
5	42227	TABLE FRONT PANEL (2 PIECES)	1	17	14082	PULLEY BEARING 1-1/4DIA. X 1/4BORE	4
6	11571	RIVET, BLIND 1/8 X .640"L X .250"HD	4	18	10031	SCREW, CAP 1/4-20 X 1	4
7	42136	RULE, ADHESIVE-BACKED, 1-8, L-R	1	19	10602	WASHER, FLAT 1/4 SAE	4
8	42137	RULE, ADHESIVE-BACKED, 1-7, R-L	1	20	10861	NUT, KEPS 1/4-20	4
9	10018	SCREW, CAP 1/4-20 X 3/4	3	21	42205	GUIDE ASSY., STRAIGHT CUT (INCLUDES ITEMS 22 AND 23)	1
10	10602	WASHER, FLAT 1/4 SAE	7	22	42206	GUIDE ONLY, STRAIGHT CUT	1
11	10861	NUT, KEPS 1/4-20	3	23	40425	KNOB, 3-PRONG W/ 3/8-16 X 5/8 STUD	1
12	10031	SCREW, CAP 1/4-20 X 1	1				

ILLUSTRATION 3: ARBOR ASSEMBLY



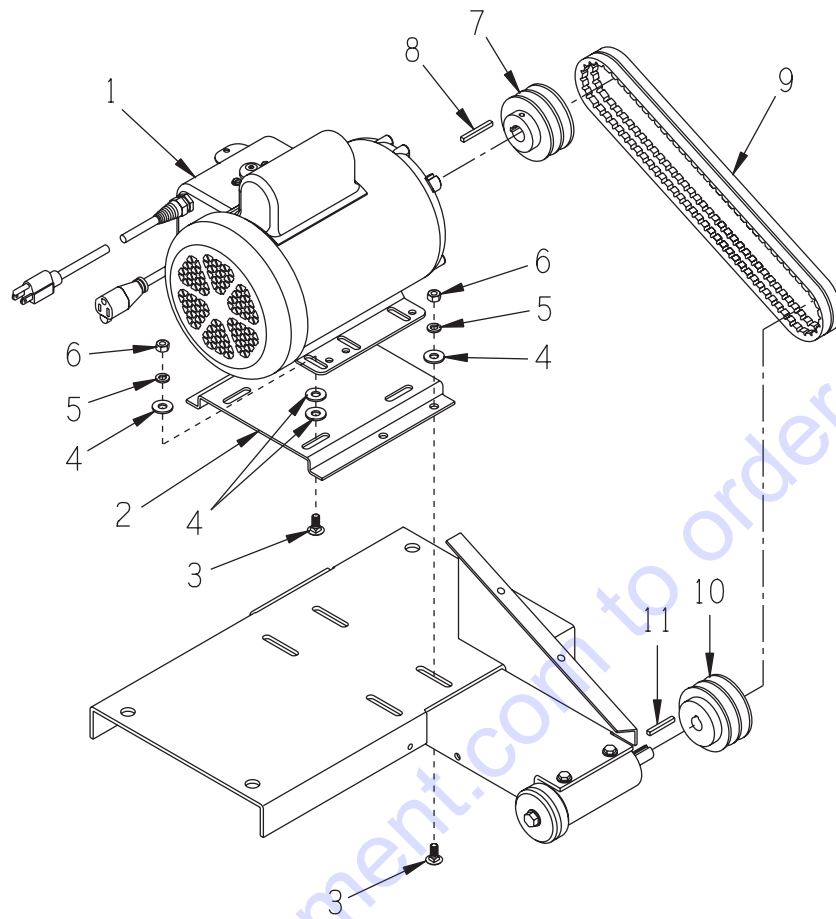
ITEM #	PART #	DESCRIPTION	QTY.
1	42114G	ARBOR ASSY. COMPLETE (INCLUDES ITEMS 2 - 9)	1
2	42115	ARBOR SHAFT 6-3/4"L	1
3	42116	ARBOR HOUSING	1
4	42119	BEARING, RADIAL BALL 17mm X 40mm X .563in	2
5	40036	KEY, WOODRUFF 1/8 X 3/8 (#403)	1
6	42117	ARBOR BACKING PLATE 2-1/2"	1
7	42118	ARBOR BLADE CAP 2-1/2"	1
8	10453	WASHER, LOCK, INT. TOOTH 3/8"	1
9	10021	SCREW, CAP 3/8-24 X 1	1

ILLUSTRATION 4: ENGINE GROUPING



ITEM #	PART #	DESCRIPTION	QTY.
1		ENGINE W/ CYCLONE AIR CLEANER	1
	15044	HONDA GX120U1-QXC9 CYC.A.C.	
	40387	HONDA GX160U1-QXC9 CYC. A.C.	
2	11541	BARB, PUSH-ON 3/8 HOSE X10MM X 1.25	1
3	56116	HOSE, PUSH-ON 3/8"ID X 3"L	1
4	11544	BARB, PUSH-ON 3/8 HOSE X 1/4FPT	1
5	10776	PIPE PLUG 1/4 NPT (BRASS)	1
6	10817	BOLT, CARRIAGE 5/16-18 X 1-1/2 F.T.	4
7	10213	WASHER, FLAT 5/16 SAE	4
8	10801	WASHER, LOCK 5/16	4
9	10054	NUT 5/16-18	4
10	40005	SHEAVE 3"OD X 2 GR.A X 3/4"BORE	1
11	----	KEY 3/16"SQ. (INCLUDED W/ ENGINE)	1
12	42219	SHEAVE 3"OD X 2 GR.A X 5/8"BORE	1
13	10016	KEY 3/16SQ X 1-1/2	1
14	81007	BELT AX-33	2
15	15138	METER, HOUR, REDINGTON INDUCTIVE (OPTIONAL)	1

ILLUSTRATION 5: MOTOR GROUPING



ITEM #	PART #	DESCRIPTION	QTY.
1	16061	MOTOR, BALDOR 1.5HP-1P 60HZ 3450RPM 115/230V SPEC. NO. 35V801R760G1	1
<i>REPLACEMENT PARTS:</i>			
	16164	CAPACITOR, RUN, BALDOR OC3040F09SP	
	16163	RESET BUTTON, BALDOR TPCRT40CA	
	40051	CAPACITOR, START, BALDOR EC1645A06SP	
	16510	SWITCH, TOGGLE DPST 20A SPAD	
2	42237	MOUNT BRKT., MOTOR	1
3	10819	BOLT, CARRIAGE 5/16-18 X 1 FULL THD	8
4	10213	WASHER, FLAT 5/16 SAE	16
5	10801	WASHER, LOCK 5/16	8
6	10054	NUT 5/16-18	8
7	40005	SHEAVE 3"OD X 2 GR.A X 3/4"BORE	1
8	10060	KEY 3/16 SQ X 1-1/4	1
9	10283	BELT AX-35	2
10	42219	SHEAVE 3"OD X 2 GR.A X 5/8"BORE	1
11	10016	KEY 3/16SQ X 1-1/2	1

PARTS FINDER

**Search Website
by Part Number**



**Search Manual
Library For Parts
Manual & Lookup Part
Numbers – Purchase
or Request Quote**

Search Manuals

Enter your information to help us find the right parts manual for your machine.

* Brand:

* Model:

* Serial:

* Part Number:

SEARCH

**Can't Find Part or
Manual? Request Help
by Manufacturer,
Model & Description**

Parts Order Form

Please fill in the following information to help us find the right part for your machine.

Manufacturer:	<input type="text"/>
Model:	<input type="text"/>
Description:	<input type="text"/>
Part Number:	<input type="text"/>
Quantity:	<input type="text"/>
Notes:	<input type="text"/>

Submit

Discount-Equipment.com is your online resource for quality parts & equipment.

Florida: **561-964-4949** Outside Florida TOLL FREE: **877-690-3101**

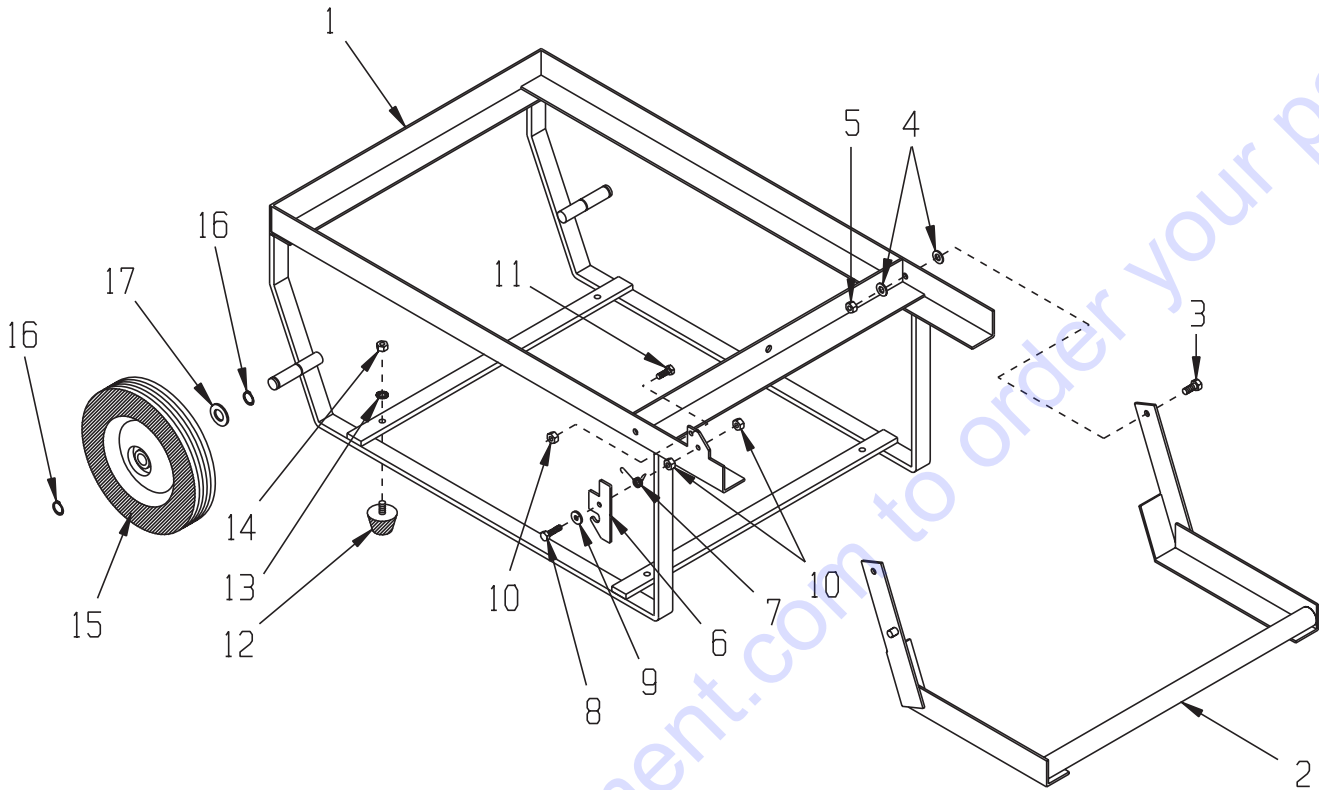
Need parts?

Click on this link: <http://www.discount-equipment.com/category/5443-parts/> and choose one of the options to help get the right parts and equipment you are looking for. Please have the machine model and serial number available in order to help us get you the correct parts. If you don't find the part on the website or on one of the online manuals, please fill out the request form and one of our experienced staff members will get back to you with a quote for the right part that your machine needs.

We sell worldwide for the brands: Genie, Terex, JLG, MultiQuip, Mikasa, Essick, Whiteman, Mayco, Toro Stone, Diamond Products, Generac Magnum, Airman, Haulotte, Barreto, Power Blanket, Nifty Lift, Atlas Copco, Chicago Pneumatic, Allmand, Miller Curber, Skyjack, Lull, Skytrak, Tsurumi, Husquvarna Target, Stow, Wacker, Sakai, Mi-T-M, Sullair, Basic, Dynapac, MBW, Weber, Bartell, Bennar Newman, Haulotte, Ditch Runner, Menegotti, Morrison, Contec, Buddy, Crown, Edco, Wyco, Bomag, Laymor, EZ Trench, Bil-Jax, F.S. Curtis, Gehl Pavers, Heli, Honda, ICS/PowerGrit, IHI, Partner, Imer, Clipper, MMD, Koshin, Rice, CH&E, General Equipment, Amida, Coleman, NAC, Gradall, Square Shooter, Kent, Stanley, Tamco, Toku, Hatz, Kohler, Robin, Wisconsin, Northrock, Oztec, Toker TK, Rol-Air, APT, Wylie, Ingersoll Rand / Doosan, Innovatech, Con X, Ammann, Mecalac, Makinex, Smith Surface Prep, Small Line, Wanco, Yanmar

ILLUSTRATION 6: OPTIONAL LOW PROFILE CART

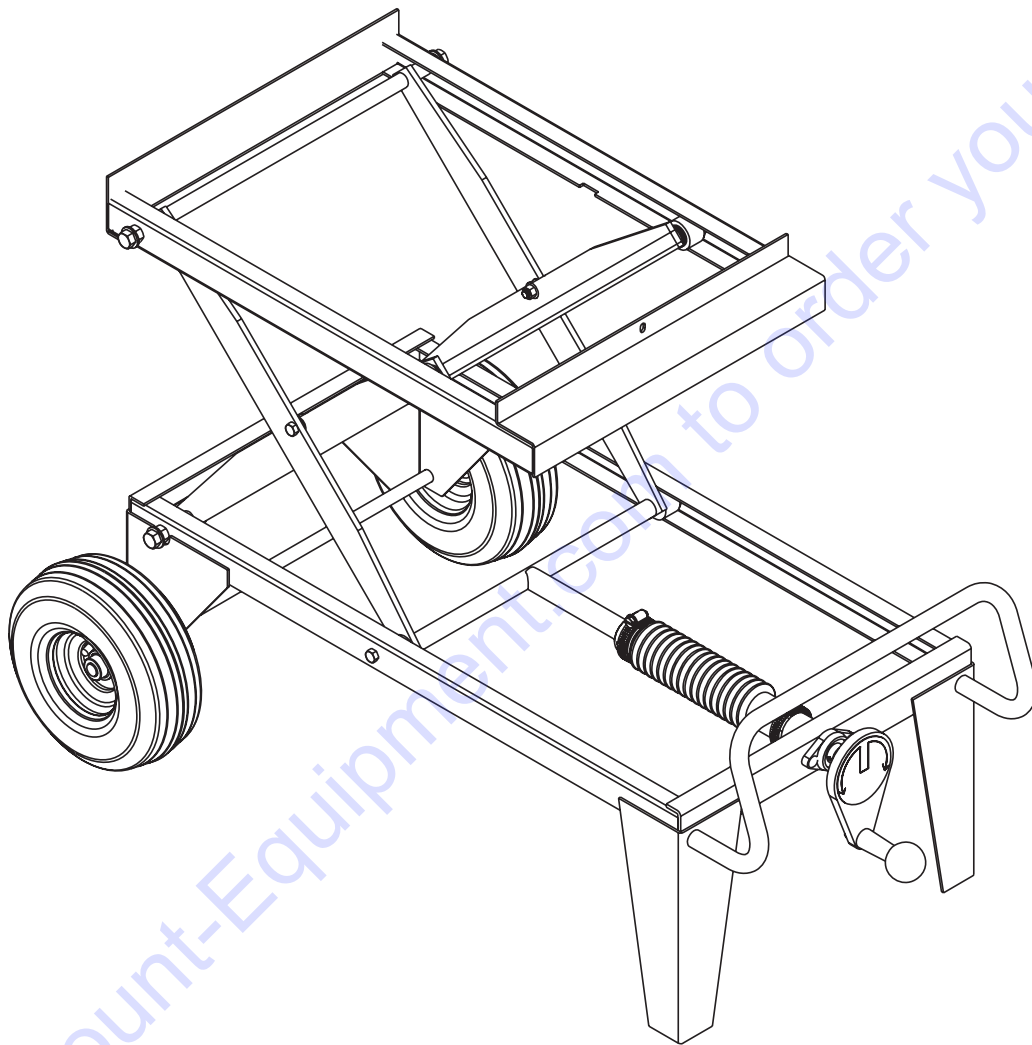
PART# 24650



ITEM #	PART #	DESCRIPTION	QTY.
1	24651	CART ONLY	1
2	24652	HANDLE, CART	1
3	10053	SCREW, CAP 5/16-18 X 3/4	2
4	10213	WASHER, FLAT 5/16 SAE	4
5	10807	NUT, LOCK 5/16-18	2
6	24653	LATCH, CART HANDLE	1
7	42225	SPRING, TORSION	1
8	10031	SCREW, CAP 1/4-20 X 1	1
9	10602	WASHER, FLAT 1/4 SAE	1
10	10015	NUT, LOCK 1/4-20	3
11	10018	SCREW, CAP 1/4-20 X 3/4	1
12	10931	MOUNT, TAPERED RUBBER 5/16-18	4
13	10436	WASHER, LOCK, EXT. TOOTH 5/16"	4
14	10807	NUT, LOCK 5/16-18	4
15	24654	WHEEL 8 X 1-3/4 X 5/8"BRG	2
16	11575	RETAINING RING, EXT. 5/8"	4
17	10073	WASHER, FLAT 5/8 SAE	2

ILLUSTRATION 7: OPTIONAL PROCART

PART# 24750



ADJUSTABLE SCISSOR STYLE CART

REFER TO THE PROCART PARTS LIST MANUAL
FOR THE PARTS BREAKDOWN INFORMATION

ILLUSTRATION 8: OPTIONAL FOLDING STAND

PART# 24150

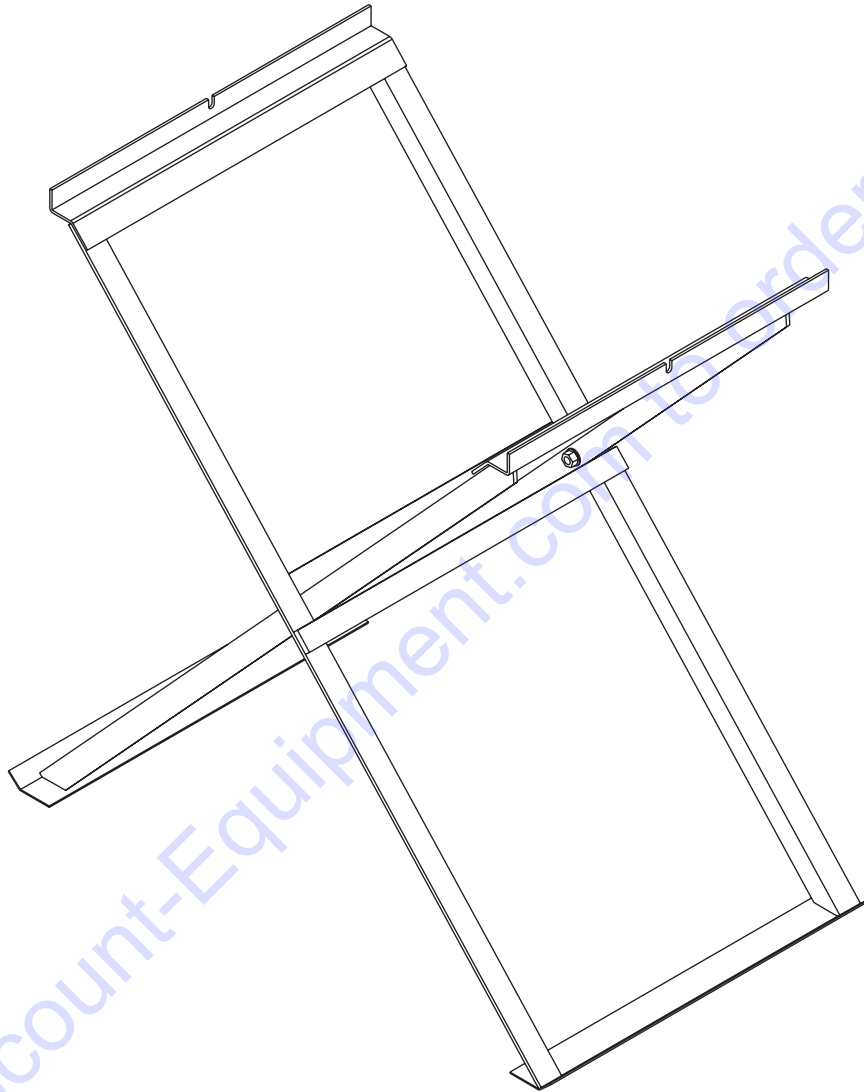
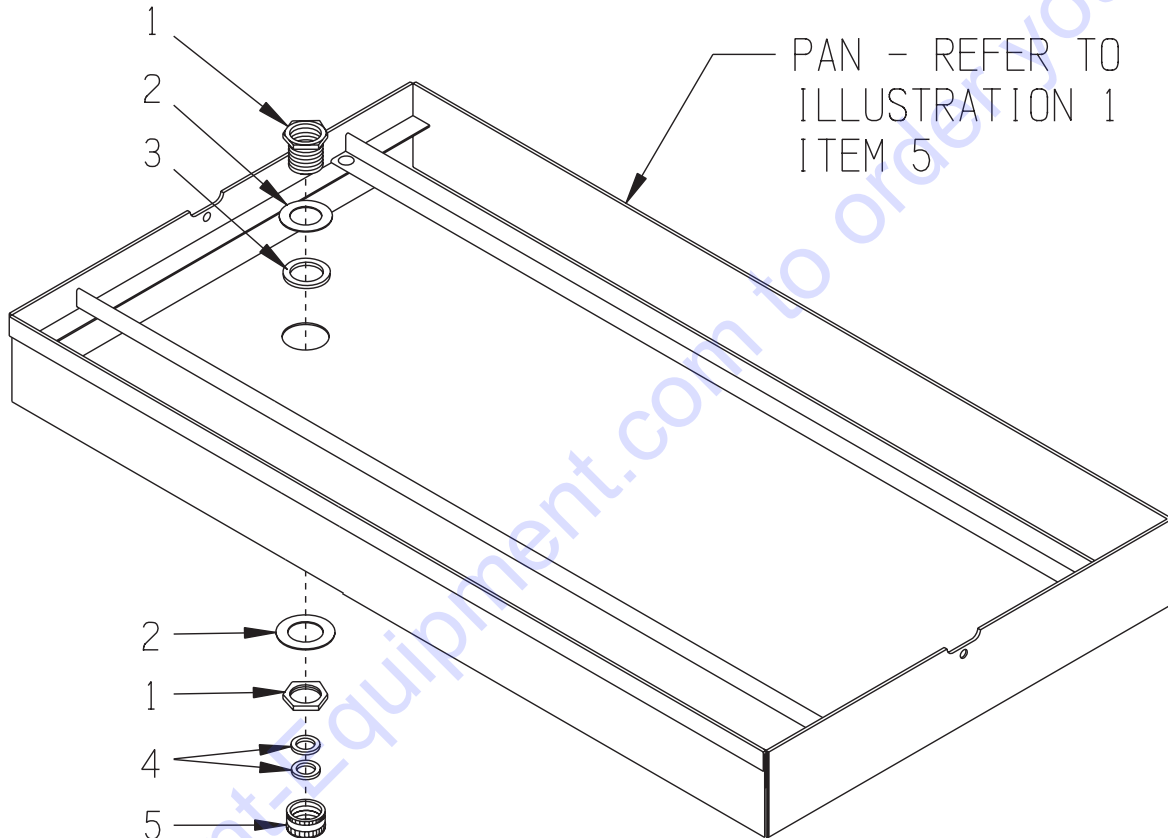


ILLUSTRATION 9: OPTIONAL DRAIN ASSEMBLY

PART# 42250

INCLUDES ITEMS SHOWN BELOW

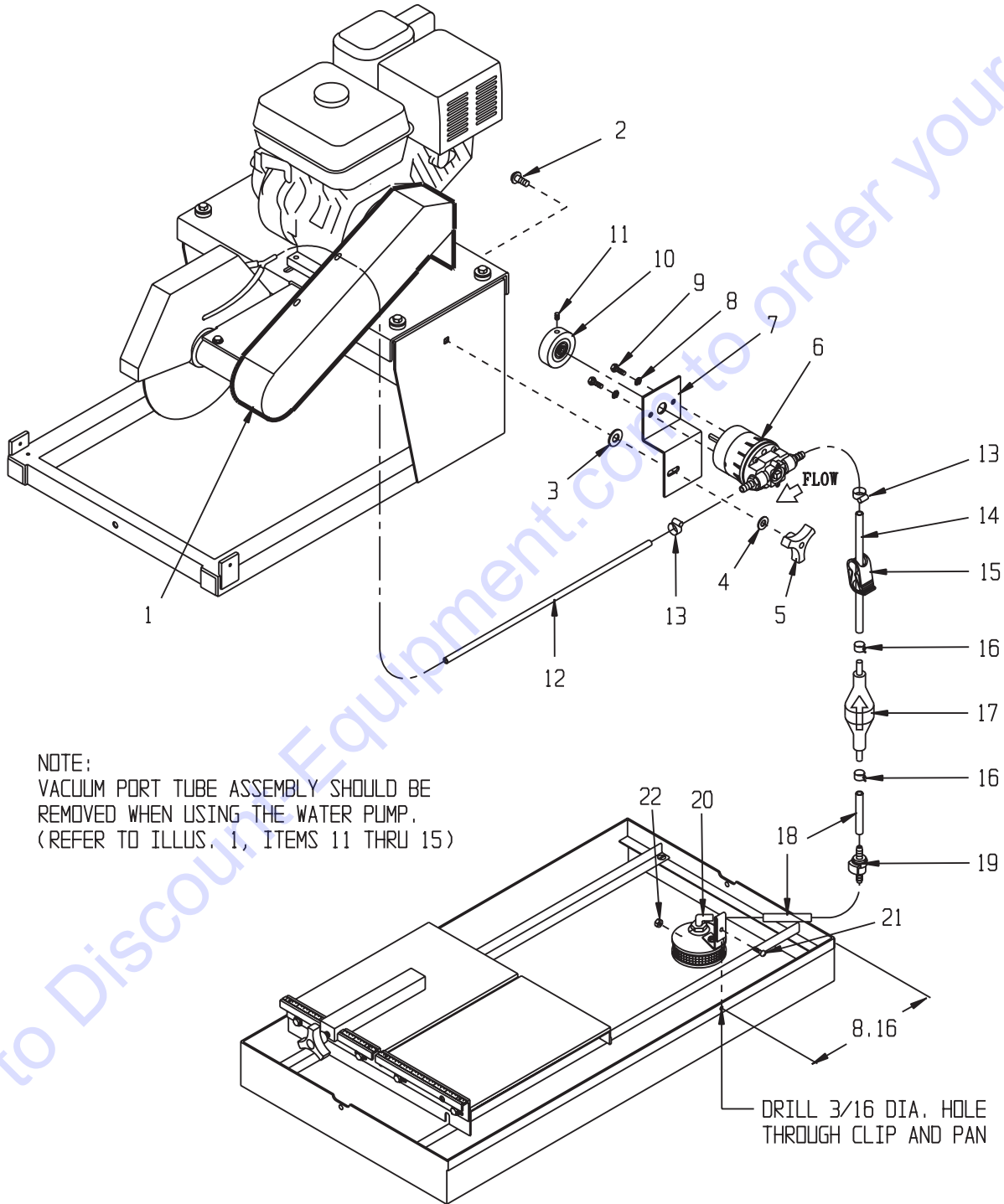
USE IN PLACE OF DRAIN PLUG
(ILLUSTRATION 1 - ITEM 4)



ITEM #	PART #	DESCRIPTION	QTY.
1	42251	FITTING, DRAIN 3/4NH X 1/2FPT (BRASS) (INCLUDES THIN JAM NUT)	1
2	10444	WASHER, ALUM. 1.885ODX1.060IDX .040	2
3	42252	WASHER, RUBBER 1-1/16IDX1-1/2ODX1/8	1
4	10070	WASHER, HOSE 3/4	2
5	42253	CAP, HOSE END (BRASS)	1

ILLUSTRATION 10: OPTIONAL WATER PUMP KIT

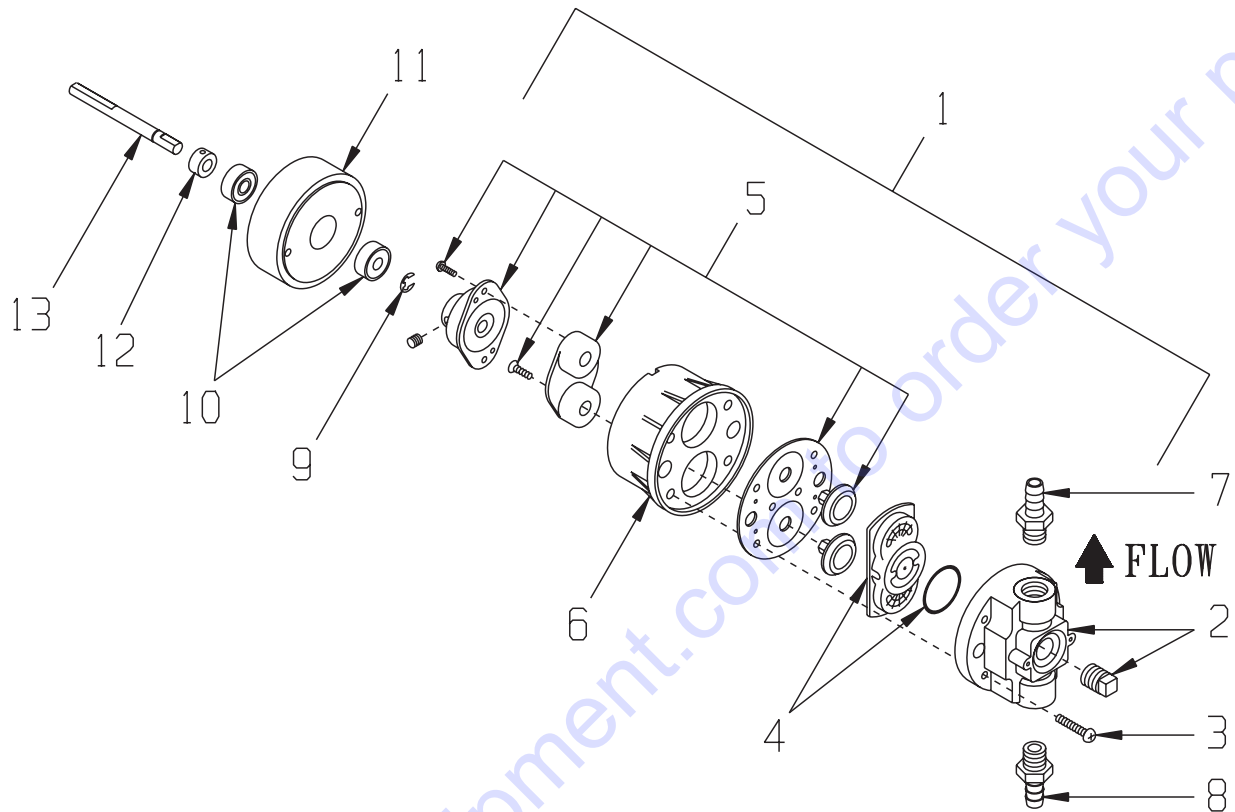
PART# 24625



PARTS LISTING - ILLUSTRATION 10: OPTIONAL WATER PUMP KIT			
ITEM #	PART #	DESCRIPTION	QTY.
1	42223	COVER, BELT, WATER PUMP OPTION	1
2	10802	BOLT, CARRIAGE 3/8-16 X 1 FULL THD.	1
3	10312	WASHER, FLAT 1/2 SAE	1
4	10025	WASHER, FLAT 3/8 SAE	1
5	80011	KNOB, 3-PRONG W/ 3/8-16 THD.	1
6	42230	PUMP ASSY., WATER (REFER TO ILLUSTRATION 11 FOR BREAKDOWN)	1
7	42211	BRACKET, WATER PUMP	1
8	10038	WASHER, LOCK 1/4	2
9	10018	SCREW, CAP 1/4-20 X 3/4	2
10	40624	WHEEL, WATER PUMP 2-1/8"	1
11	10161	SCREW, SET 1/4-28 X 5/16	1
12	42143	HOSE 1/4"ID X 18"L	1
13	10714	CLAMP, HOSE, SAE #4, ADJ. TO 5/8"	2
14	42232	HOSE 5/16"ID X 8"L	1
15	42131	CLAMP, TUBE, FLOW CONTROL 3/4"	1
16	10763	CLAMP, HOSE SPRING-TYPE 7/16" RED	2
17	40049	BULB, PRIMER 5/16"	1
18	42233	HOSE 5/16"ID X 3"L	2
19	42234	COUPLING, QUICK-DISCONNECT 3/8" STD	1
20	42235	FILTER ASSY., WATER	1
21	10833	SCREW, MACHINE 10-32 X 3/4	1
22	10832	NUT, KEPS 10-32	1

ILLUSTRATION 11: WATER PUMP ASSEMBLY

PART # 42230



ITEM #	PART #	DESCRIPTION	QTY.
1	56101-S1	PUMP HEAD REPLACEMENT, DUPLEX 21050-653A (INCLUDES ITEMS 2 THRU 6)	1
2	56101-S2	HOUSING BODY 20500-507	1
3	56101-S3	SCREWS 20131-001 (SET OF 6)	1-SET
4	56101-S4	CHECK VALVE KIT 20028-008	1
5	56101-S5	DIAPHRAGM KIT W/ BEARING 21004-401	1
6	56101-S6	HOUSING BEARING COVER 20428-100	1
7	40337	BARB, 1/4 HOSE x 3/8 MPT (PLASTIC)	1
8	40319	BARB, 5/16 HOSE x 3/8 MPT (PLASTIC)	1
9	10137	RETAINING RING, E-CLIP 5/16	1
10	40391	BEARING, RADIAL BALL 5/16 x 7/8 x 11/32	2
11	40393-S1	HUB	1
12	10415	COLLAR, LOCKING 5/16" I.D.	1
13	40393-S2	SHAFT 5/16 x 3-3/4	1

ILLUSTRATION 12: OPTIONAL 115V WATER PUMP KIT**PART# 42320****ELECTRIC MODEL ONLY**

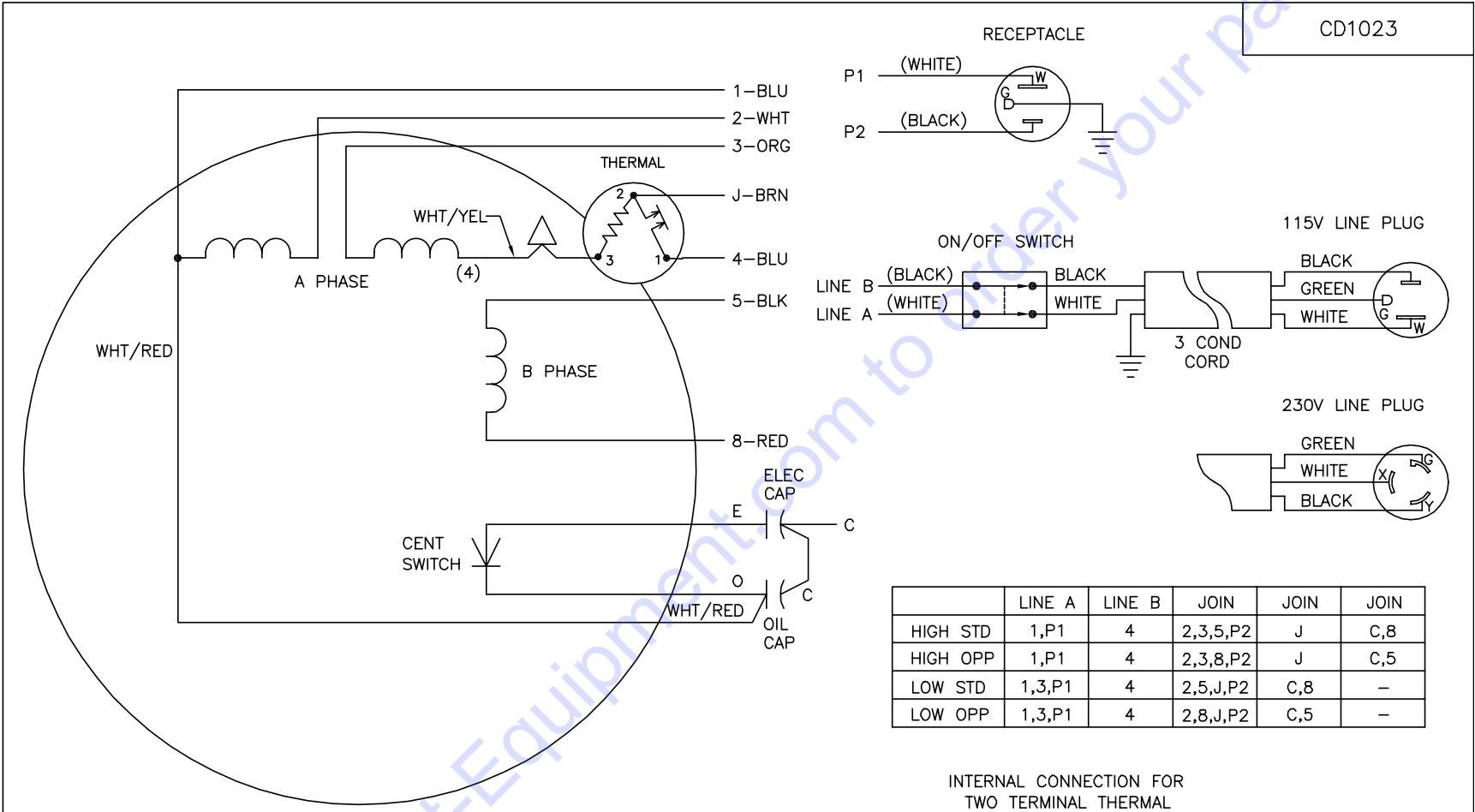
Connect the white plastic adapter fitting to the garden hose fitting that runs to the blade guard. Submerge the pump in water. Note: The pump may interfere with the rolling table if used in the pan. It can be used from a bucket, barrel or a external pan filled with water. Then connect the male plug to the female connector that is on the motor. The pump will now turn on and off with the motor.

**KIT INCLUDES:**

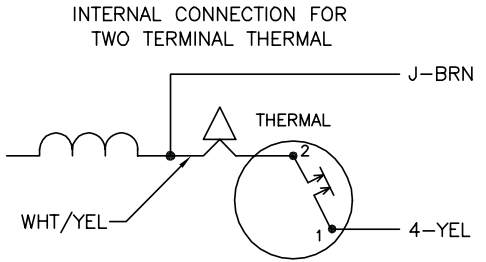
115 VAC SUBMERSIBLE PUMP P/N 42130
 BRASS HOSE BARB 1/4HOSE X 1/4FPT P/N 40415
 6FT. PVC TUBING 1/4"ID P/N 11532
 ADAPTER FITTING, MALE GHT X 1/4BARB . . . P/N 42321

WIRING DIAGRAM FOR BALDOR MOTOR - 35V801R760G1 1.5HP 1-PHASE 60Hz

E-GMS10-PL-0408



- NOTES:
1. STANDARD ROTATION IS CCW FACING END OPPOSITE SHAFT EXTENSION.
 2. MULTIPLE CAPACITORS ARE CONNECTED IN PARALLEL UNLESS OTHERWISE SPECIFIED.
 3. LEAD COLORS ARE OPTIONAL. LEADS MUST ALWAYS BE NUMBERED AS SHOWN.



REV. DESC: ADD OPTIONAL LEAD COLORS			
REV. LTR: B	BY: JLP	REVISED: 10:01:18 08/27/2001	TDR: 248206
CD1023		FILE: AAA00018033	REF: CD1023
		MTL: -	

BALDOR ELECTRIC Co.

TYPE LC, DV, REV, THERMAL,8 LD,LINE SW,CORD,PLUG,115V RECEPT

CD1023



PARTS FINDER

**Search Website
by Part Number**



**Search Manual
Library For Parts
Manual & Lookup Part
Numbers – Purchase
or Request Quote**

Search Manuals

Enter your information to help us find the right parts manual for your machine.

* Brand:

* Model:

* Serial:

* Part Number:

SEARCH

**Can't Find Part or
Manual? Request Help
by Manufacturer,
Model & Description**

Parts Order Form

Please fill in the following information to help us find the right part for your machine.

Manufacturer:	<input type="text"/>
Model:	<input type="text"/>
Description:	<input type="text"/>
Part Number:	<input type="text"/>
Quantity:	<input type="text"/>
Notes:	<input type="text"/>

Submit

Discount-Equipment.com is your online resource for quality parts & equipment.

Florida: **561-964-4949** Outside Florida TOLL FREE: **877-690-3101**

Need parts?

Click on this link: <http://www.discount-equipment.com/category/5443-parts/> and choose one of the options to help get the right parts and equipment you are looking for. Please have the machine model and serial number available in order to help us get you the correct parts. If you don't find the part on the website or on one of the online manuals, please fill out the request form and one of our experienced staff members will get back to you with a quote for the right part that your machine needs.

We sell worldwide for the brands: Genie, Terex, JLG, MultiQuip, Mikasa, Essick, Whiteman, Mayco, Toro Stone, Diamond Products, Generac Magnum, Airman, Haulotte, Barreto, Power Blanket, Nifty Lift, Atlas Copco, Chicago Pneumatic, Allmand, Miller Curber, Skyjack, Lull, Skytrak, Tsurumi, Husquvarna Target, Stow, Wacker, Sakai, Mi-T-M, Sullair, Basic, Dynapac, MBW, Weber, Bartell, Bennar Newman, Haulotte, Ditch Runner, Menegotti, Morrison, Contec, Buddy, Crown, Edco, Wyco, Bomag, Laymor, EZ Trench, Bil-Jax, F.S. Curtis, Gehl Pavers, Heli, Honda, ICS/PowerGrit, IHI, Partner, Imer, Clipper, MMD, Koshin, Rice, CH&E, General Equipment, Amida, Coleman, NAC, Gradall, Square Shooter, Kent, Stanley, Tamco, Toku, Hatz, Kohler, Robin, Wisconsin, Northrock, Oztec, Toker TK, Rol-Air, APT, Wylie, Ingersoll Rand / Doosan, Innovatech, Con X, Ammann, Mecalac, Makinex, Smith Surface Prep, Small Line, Wanco, Yanmar