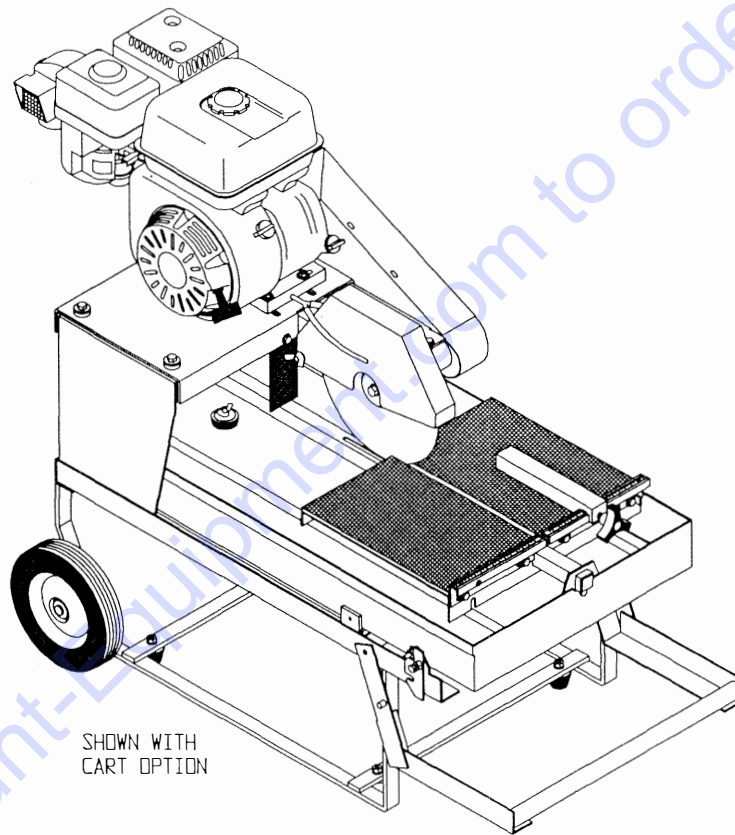


REVISED MARCH 1999
STARTING SERIAL #5200

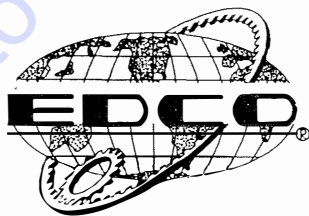
GASOLINE POWERED 10" MASONRY SAW

PARTS LIST MANUAL



SHOWN WITH
CART OPTION

Model GMS-10



EQUIPMENT DEVELOPMENT COMPANY, INC.



PARTS FINDER

**Search Website
by Part Number**



**Search Manual
Library For Parts
Manual & Lookup Part
Numbers – Purchase
or Request Quote**

Search Manuals

Enter your information to search for a manual or to purchase a manual or parts.

* Brand:

* Model:

* Serial:

* Part Number:

SEARCH

**Can't Find Part or
Manual? Request Help
by Manufacturer,
Model & Description**

Parts Order Form

Please fill in the following information to request help finding a part or manual.

Manufacturer:

Model:

Description:

Quantity:

Part Number:

Part Name:

Part Description:

Part Category:

Part Location:

Part Status:

Part Condition:

Part Material:

Part Color:

Part Weight:

Part Dimensions:

Part Price:

Part Availability:

Part Lead Time:

Part Notes:

Submit







Discount-Equipment.com is your online resource for quality parts & equipment.

Florida: **561-964-4949** Outside Florida TOLL FREE: **877-690-3101**

Need parts?

Click on this link: <http://www.discount-equipment.com/category/5443-parts/> and choose one of the options to help get the right parts and equipment you are looking for. Please have the machine model and serial number available in order to help us get you the correct parts. If you don't find the part on the website or on one of the online manuals, please fill out the request form and one of our experienced staff members will get back to you with a quote for the right part that your machine needs.

We sell worldwide for the brands: Genie, Terex, JLG, MultiQuip, Mikasa, Essick, Whiteman, Mayco, Toro Stone, Diamond Products, Generac Magnum, Airman, Haulotte, Barreto, Power Blanket, Nifty Lift, Atlas Copco, Chicago Pneumatic, Allmand, Miller Curber, Skyjack, Lull, Skytrak, Tsurumi, Husquvarna Target, Stow, Wacker, Sakai, Mi-T-M, Sullair, Basic, Dynapac, MBW, Weber, Bartell, Bennar Newman, Haulotte, Ditch Runner, Menegotti, Morrison, Contec, Buddy, Crown, Edco, Wyco, Bomag, Laymor, EZ Trench, Bil-Jax, F.S. Curtis, Gehl Pavers, Heli, Honda, ICS/PowerGrit, IHI, Partner, Imer, Clipper, MMD, Koshin, Rice, CH&E, General Equipment, Amida, Coleman, NAC, Gradall, Square Shooter, Kent, Stanley, Tamco, Toku, Hatz, Kohler, Robin, Wisconsin, Northrock, Oztec, Toker TK, Rol-Air, APT, Wylie, Ingersoll Rand / Doosan, Innovatech, Con X, Ammann, Mecalac, Makinex, Smith Surface Prep, Small Line, Wanco, Yanmar

 <p>READ AND UNDERSTAND THE OPERATORS INSTRUCTION MANUAL THOROUGHLY BEFORE ATTEMPTING TO OPERATE THIS EQUIPMENT.</p>  <p>Death or serious injury could occur if the machine is used improperly.</p>	<p>GASOLINE POWERED EQUIPMENT</p>  <p>Do not operate gasoline powered equipment without adequate ventilation. Carbon monoxide is an invisible, odorless gas that can kill.</p> 
<p>WARNING</p>	
<p>The engine exhaust from this product contains chemicals known to the State of California to cause cancer, birth defects or other reproductive harm.</p>	<p>ELECTRIC POWERED EQUIPMENT</p>  <p>ELECTRICAL HAZARD - Be sure equipment is properly grounded. Failure to comply could kill or result in serious injury.</p> 

WARNING**GENERAL SAFETY PRECAUTIONS****CAUTION**

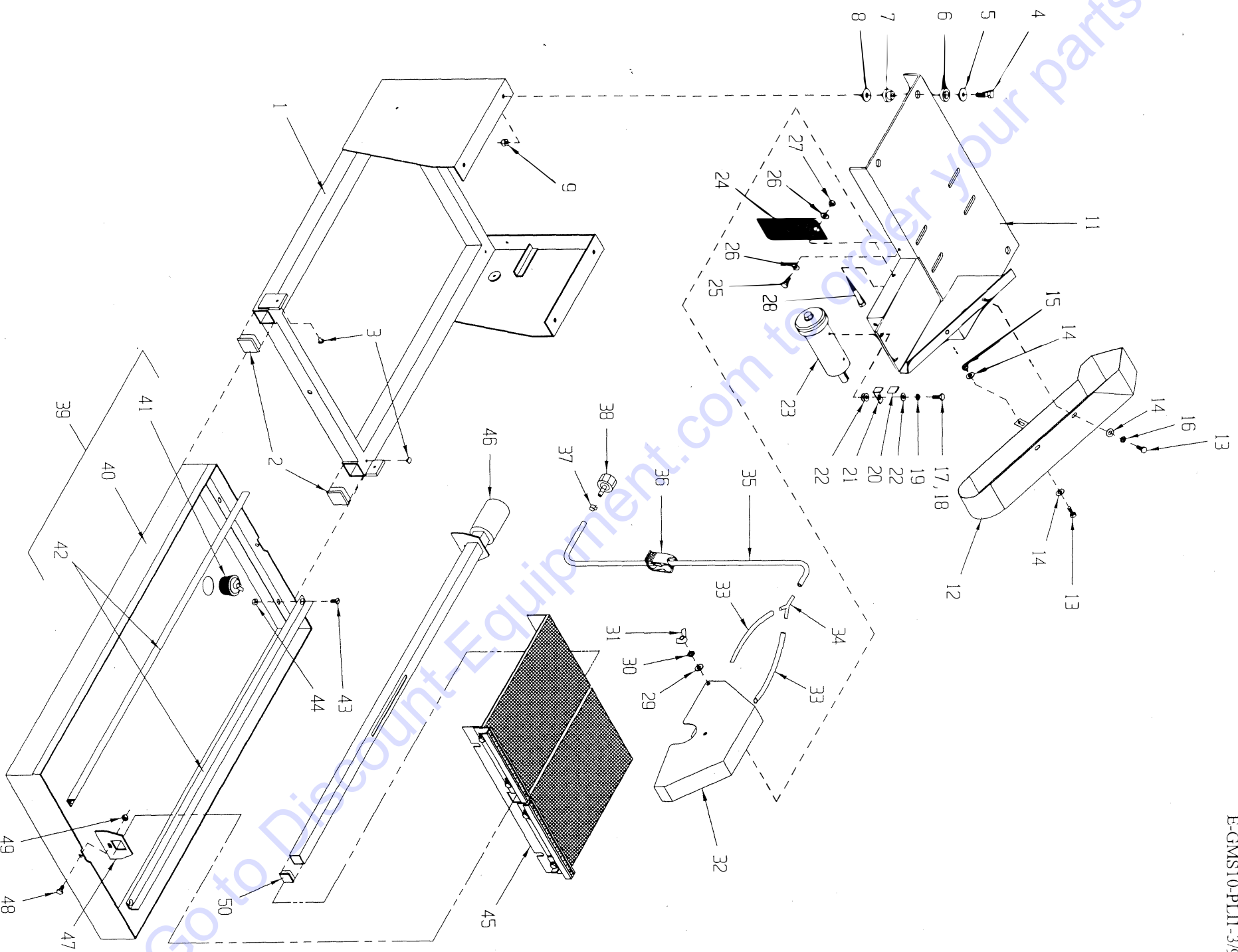
1. You must read and understand the operators instruction manual and all other manuals associated with this machine. For your safety and the safety of others around you, it is extremely important to fully understand how to operate this machine in the way it was intended. Different model machines or older/newer versions of the same model may have different parts and controls that you need to understand. If instructions are not readable or available DO NOT USE this machine and contact the factory for a replacement Manual.
2. You must be able to physically handle the bulk weight and power of this machine. If not properly controlled this machine can cause death or serious injury.
3. Do not operate this machine in an impaired mental state. You must be able to exercise good judgement and reactions to maintain a safe working environment.
4. This is a "one person" machine which means only one operator can be operating the machine at any one time. For the safety of others, maintain a safe operating distance to other personnel. Your work area should be defined and appropriately marked so bystanders and coworkers do not stand or walk near this machine and end up seriously injured by flying debris or exposing them to harmful noise or dust.
5. This equipment is for Commercial use. Although this is a "one person" machine your work team should understand how to shut this machine off and quickly get medical help if an accident strikes the operator.
6. Keep all guards in place during operation. The guards are to provide protection from inadvertent contact with dangerous moving parts, pinch points, or hot surfaces.
7. Wear appropriate Personal Protective Equipment (PPE) including safety glasses, safety boots, work gloves, respiratory protection, hearing protection, and head protection. Do not wear loose clothing that can get tangled in moving parts. Failure to do so could result in dismemberment or death. **Wear an approved respirator when removing hazardous materials or when grinding/cutting dry materials. Some dust particles such as concrete dust can contain silicate particles which can cause silicosis (a very serious lung disease). Contact NIOSH or OSHA for further details. When wet grinding/cutting, avoid contact with the concrete/asphalt slurry which can cause serious skin irritations.**
8. You must maintain this machine per the maintenance schedule in the operator manual. Remember before adjusting, servicing, or fueling this machine, disconnect the source of power to the machine by disconnecting the spark plug (Gas models), or by unplugging the electrical power cord (electric models) or air hose (Pneumatic models) AT THE MACHINE so you can assure yourself it remains unplugged while you are working on it. Do not modify this machine. Use only genuine EDCO parts and accessories. Repairs and service should be performed by approved EDCO dealers or authorized technicians.
9. You should look carefully around the area before you begin work so you can identify potential hazards such as deck inserts, pipes, columns, openings, electrical cords or outlets, or any other objects protruding from the slab surface.
10. This machine has no brain so you must use your own. There is no substitute for safety. The safety decals on the machine are to serve as a reminder for information you must already know before you begin using this machine. Take a moment to reread the safety decals each time you use the machine. If your machine is missing any decals, contact the factory for a replacement (EDCO 1-800-638-3326).

EDCO MODEL GMS-10**GASOLINE POWERED 10" MASONRY SAW****TABLE OF CONTENTS**

	<u>PAGE</u>
GENERAL SAFETY PRECAUTIONS.....	1
HOW TO ORDER REPAIR PARTS.....	2
ILLUSTRATION 1: MAIN ASSEMBLY GROUPING.....	3
PART LISTING – ILLUSTRATION 1: MAIN ASSEMBLY GROUPING.....	4
ILLUSTRATION 2: ARBOR ASSEMBLY GROUPING.....	5
ILLUSTRATION 3: ROLLING TABLE GROUPING.....	6
ILLUSTRATION 4: ENGINE GROUPING.....	7
ILLUSTRATION 5: WATER PUMP KIT OPTION.....	8
ILLUSTRATION 6: CART ASSEMBLY OPTION.....	9
ILLUSTRATION 7: PORTABLE FOLDING STAND OPTION.....	10
LIMITED EQUIPMENT WARRANTY (BACK COVER PAGE).....	11

ILLUSTRATION 1: MAIN ASSEMBLY GROUPING

E-GMS10-PLII-3/99

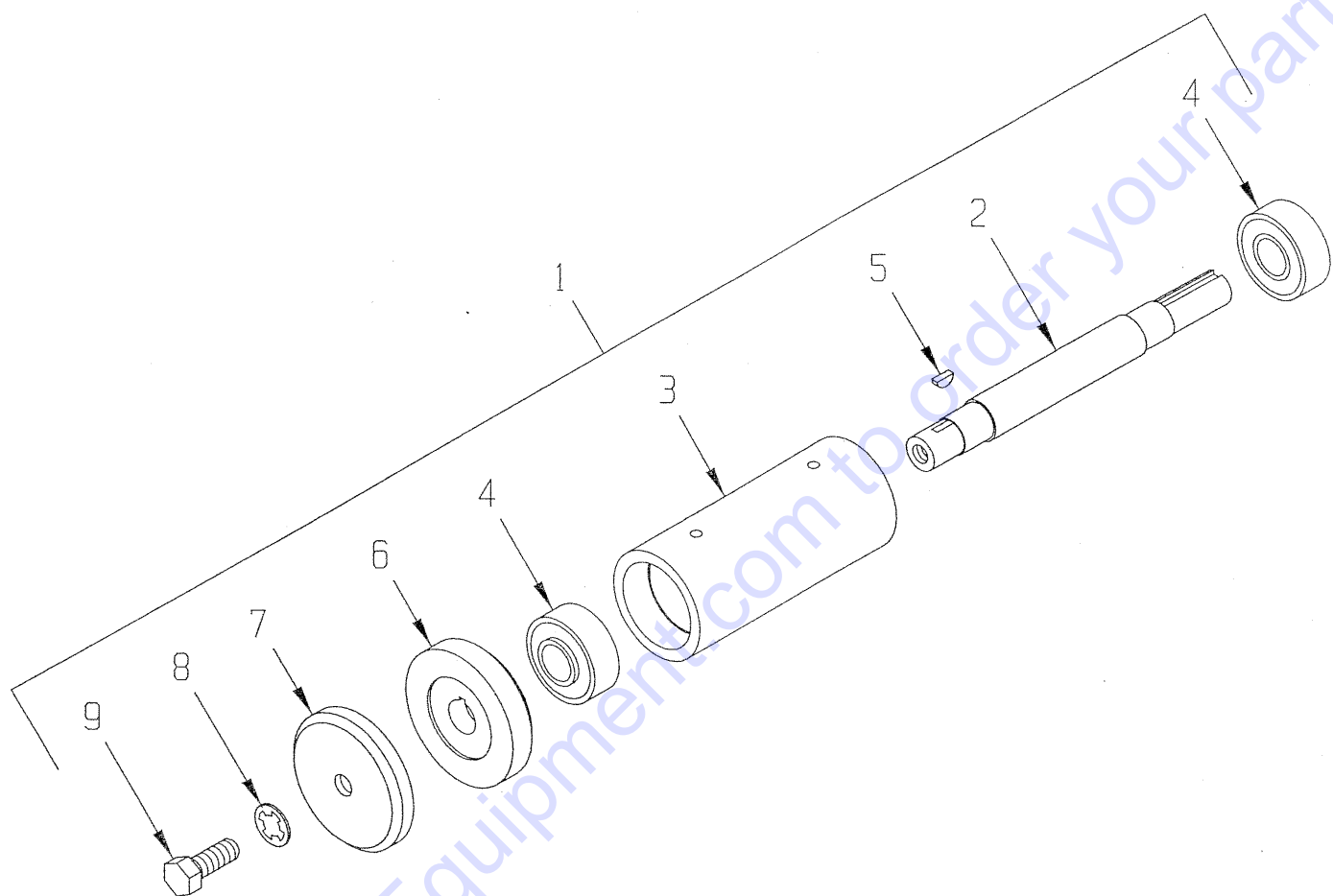


PARTS LISTING - ILLUSTRATION 1:
MAIN ASSEMBLY GROUPING

ITEM #	PART #	DESCRIPTION	QTY.
1	42201	MAIN FRAME	1
2	42148	PLUG, SQ. TUBE 1-1/2 X 14 GA., BLACK	2
3	42127	RIVET, NYLON PUSH-IN PANEL	10
4	10606	SCREW, CAP 5/16-18 X 1-1/4	4
5	42203	WASHER, RUBBER BUSHING	4
6	79035	BUSHING, RUBBER 1-1/4"OD X 5/8"ID X 1/4"THK	4
7	10225	BUSHING, GMS ENGINE MOUNT	4
8	42224	BUSHING, RUBBER 1"OD X 3/8"ID X 1/8"THK	AS REQ'D.
9	10807	NUT, LOCK 5/16-18	4
10	----	NO PART	-
11	42218	DECK, ENGINE & ARBOR	1
12	42217	COVER, BELT	1
13	10018	SCREW, CAP 1/4-20 X 3/4	3
14	10602	WASHER, FLAT 1/4	4
15	10861	NUT, KEPS 1/4-20	1
16	10038	WASHER, LOCK 1/4	2
17	10018	SCREW, CAP 1/4-20 X 3/4	1
18	10834	SCREW, CAP 1/4-20 X 1/2	3
19	10038	WASHER, LOCK 1/4	4
20	42144	COVER, VIBRATION	1
21	42128	BRACKET, BLADE GUARD RETAINER	1
22	10602	WASHER, FLAT 1/4	4
23	42114	ARBOR ASSEMBLY COMPLETE (REFER TO ILLUS. 2 FOR BREAKDOWN)	1
24	42161	FLAP, SPLASH 2-1/2 X 5-1/4	1
25	10018	SCREW, CAP 1/4-20 X 3/4	1
26	10602	WASHER, FLAT 1/4	2
27	10861	NUT, KEPS 1/4-20	1
28	10341	SCREW, CAP 5/16-18 X 2-1/4	1
29	10213	WASHER, FLAT 5/16	1
30	10801	WASHER, LOCK 5/16	1
31	10902	NUT, WING 5/16-18	1
32	42113	GUARD, BLADE 10"	1
33	42141	HOSE 1/4"ID X 8"L	2
34	99323	BARBED FITTING, "Y" 1/4"HOSE (PLASTIC)	1
*35	42208	HOSE 1/4"ID X 30"L	1
36	42131	CLAMP, TUBE, FLOW CONTROL 3/4"	1
*37	10762	CLAMP, HOSE SPRING-TYPE 3/8" (GREEN)	1
*38	11570	INSERT, SWIVEL FEMALE 1/4"HOSE X 3/4"GHT	1
39	42204A	PAN ASSEMBLY W/ RAILS & STOPPER (INCLUDES ITEMS 40 THRU 44)	
40	42204	PAN	1
41	40378	STOPPER ASSEMBLY 1-1/2"	1
42	42102B	TRACK RAIL	2
43	11540	SCREW, FLAT HEAD SLOTTED 1/4-20 X 5/8	4
44	10861	NUT, KEPS 1/4-20	4
45	42220	TABLE COMPLETE, ROLLING (REFER TO ILLUS. 3 FOR BREAKDOWN)	1
46	42228	VACUUM PORT TUBE	1
47	42229	MOUNTING BRACKET, VACUUM PORT TUBE	1
48	10834	SCREW, CAP 1/4-20 X 1/2	2
49	10861	NUT, KEPS 1/4-20	2
50	51078	PLUG, SQ. TUBE 1 X 14 GA., BLACK	1

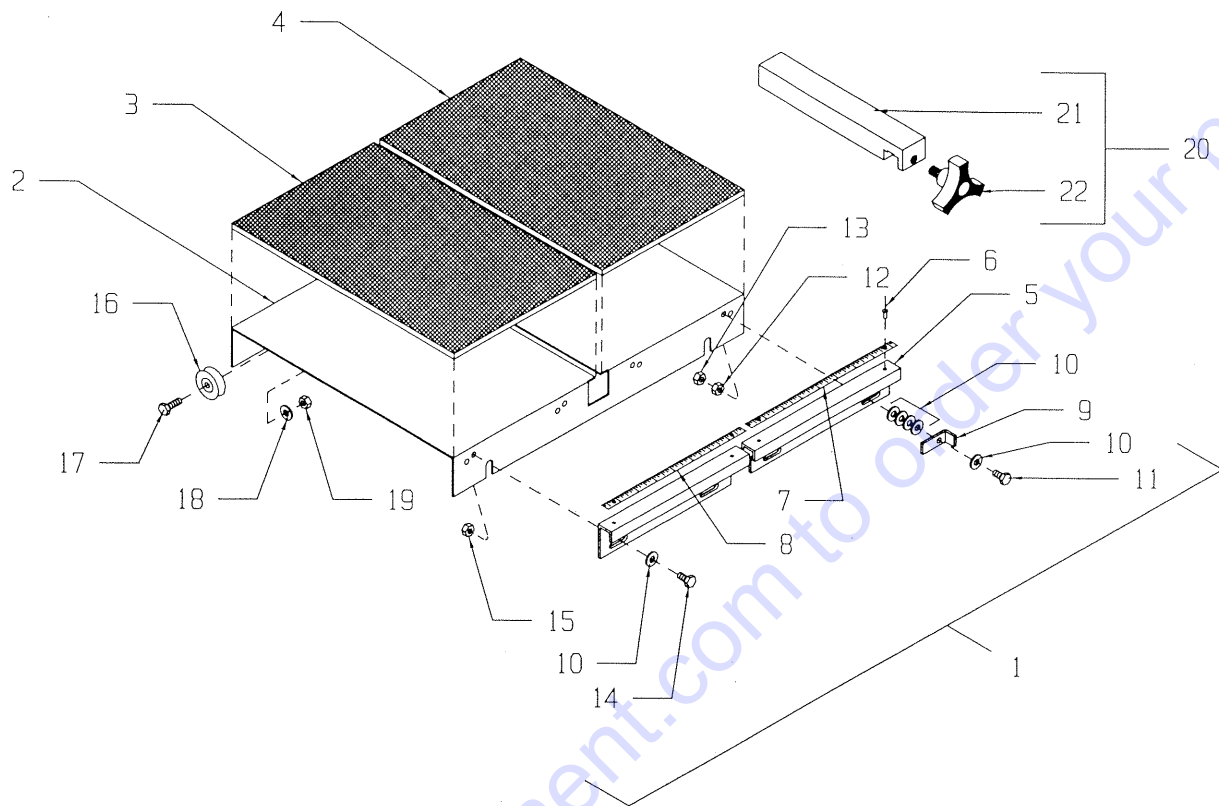
*NOTE: USED ON UNITS WITH OUT THE WATER PUMP OPTION.
FOR UNITS WITH WATER PUMP – SEE ILLUSTRATION #5

ILLUSTRATION 2: ARBOR ASSEMBLY GROUPING



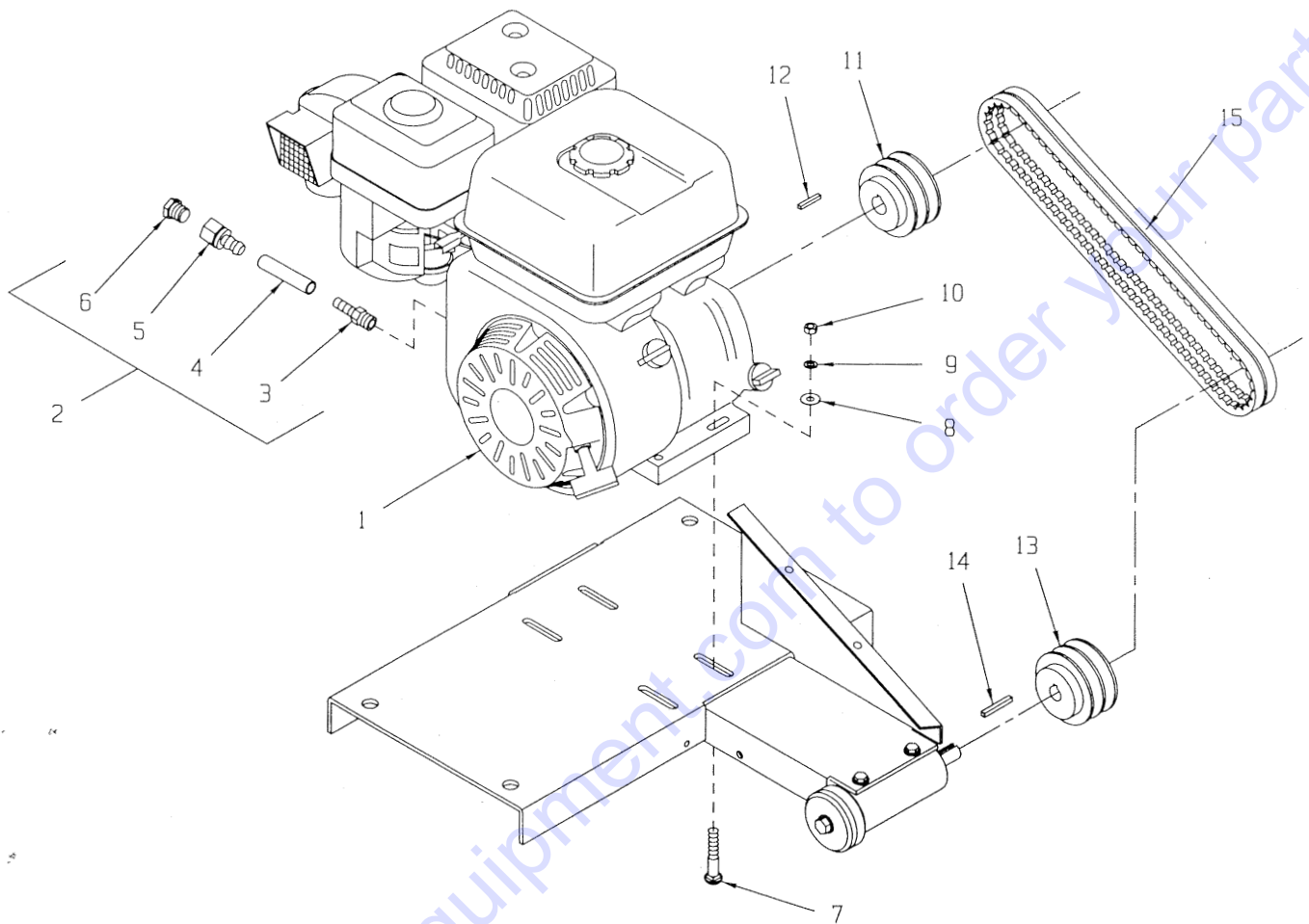
ITEM #	PART #	DESCRIPTION	QTY.
1	42114	ARBOR ASSEMBLY COMPLETE (INCLUDES ITEMS 2 THRU 9)	
2	42115	ARBOR SHAFT 6-3/4"L	1
3	42116	ARBOR, HOUSING	1
4	42119	BEARING, RADIAL BALL 17mm X 40mm X .563"	2
5	40036	KEY, WOODRUFF 1/8 X 3/8 (#403)	1
6	42117	ARBOR, BACKING PLATE	1
7	42118	ARBOR, BLADE RETAINING CAP	1
8	10453	WASHER, LOCK, INT. TOOTH 3/8"	1
9	10021	SCREW, CAP 3/8-24 X 1	1

ILLUSTRATION 3: ROLLING TABLE GROUPING



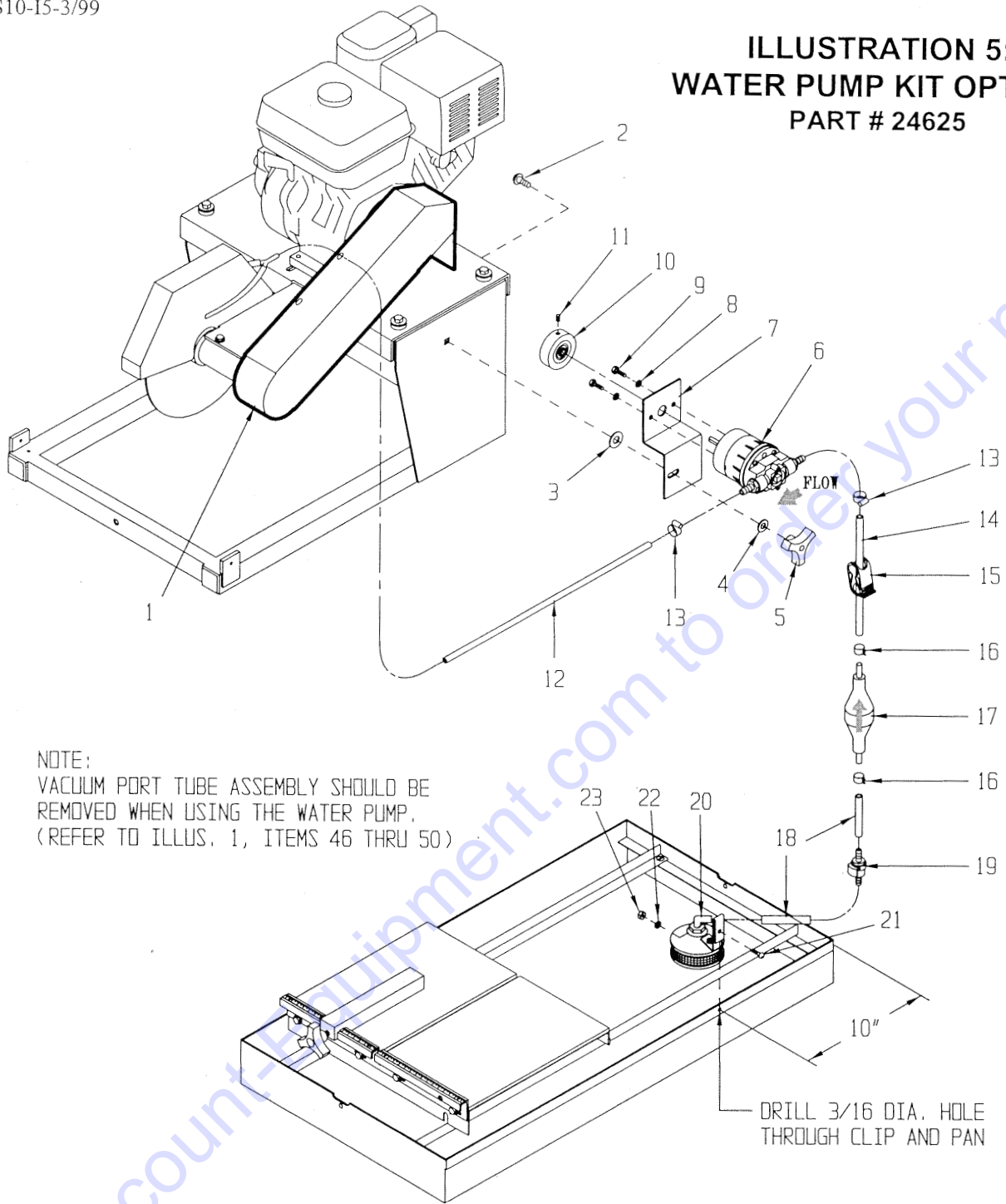
ITEM #	PART #	DESCRIPTION	QTY.
1	42220	TABLE COMPLETE, ROLLING (INCLUDES ITEMS 2 THRU 19)	
2	42226	TABLE ONLY, ROLLING	1
3	42222	RUBBER PAD 12-1/4 x 7-1/2 x 1/4	1
4	42221	RUBBER PAD 12-1/4 x 8 x 1/4	1
5	42227	TABLE FRONT PANEL (2-PIECES)	1
6	11571	RIVET, BLIND 1/8 x .640"L x .250"HD. DIA.	4
7	42136	RULE, ADHESIVE-BACKED, 1 THRU 8, L TO R	1
8	42137	RULE, ADHESIVE-BACKED, 1 THRU 7, R TO L	1
9	42106	LATCH, ROLLING TABLE	1
10	10602	WASHER, FLAT 1/4	8
11	10031	SCREW, CAP 1/4-20 x 1	1
12	10013	NUT 1/4-20	1
13	10015	NUT, LOCK 1/4-20	1
14	10834	SCREW, CAP 1/4-20 X 1/2	3
15	10861	NUT, KEPS 1/4-20	3
16	14082	TRACK WHEEL 1-1/4"DIA. x 1/4"BORE	6
17	10031	SCREW, CAP 1/4-20 x 1	6
18	10602	WASHER, FLAT 1/4	4
19	10861	NUT, KEPS 1/4-20	4
20	42205	GUIDE ASSEMBLY, STRAIGHT CUT (INCLUDES ITEMS 21 AND 22)	1
21	42206	GUIDE ONLY, STRAIGHT CUT	1
22	40425	KNOB, 3-PRONG W/ 3/8-16 x 5/8" STUD	1

ILLUSTRATION 4: ENGINE GROUPING



ITEM #	PART #	DESCRIPTION	QTY.
1	15044	ENGINE, HONDA 4 HP GX120	1
2	40327	OIL DRAIN KIT (INCLUDES ITEMS 3 THRU 6)	1
3	11541	BARB, PUSH-ON 3/8 HOSE x 10mm x 1.25 MALE	1
4	56116	HOSE, PUSH-ON 3/8"ID X 3"L	1
5	11544	BARB, PUSH-ON 3/8 HOSE x 1/4 FPT	1
6	10776	PIPE PLUG 1/4 NPT (BRASS)	1
7	10817	BOLT, CARRIAGE 5/16-18 x 1-1/2 FULL THD	4
8	10213	WASHER, FLAT 5/16	4
9	10801	WASHER, LOCK 5/16	4
10	10054	NUT 5/16-18	4
11	40005	SHEAVE 3"OD x 2Gr.A x 3/4"BORE	1
12	----	KEY 3/16"SQ. (INCLUDED W/ ENGINE)	1
13	42219	SHEAVE 3"OD x 2Gr.A x 5/8"BORE	1
14	10016	KEY 3/16"SQ. x 1-1/2	1
15	81007	BELT AX-33	2

**ILLUSTRATION 5:
WATER PUMP KIT OPTION
PART # 24625**

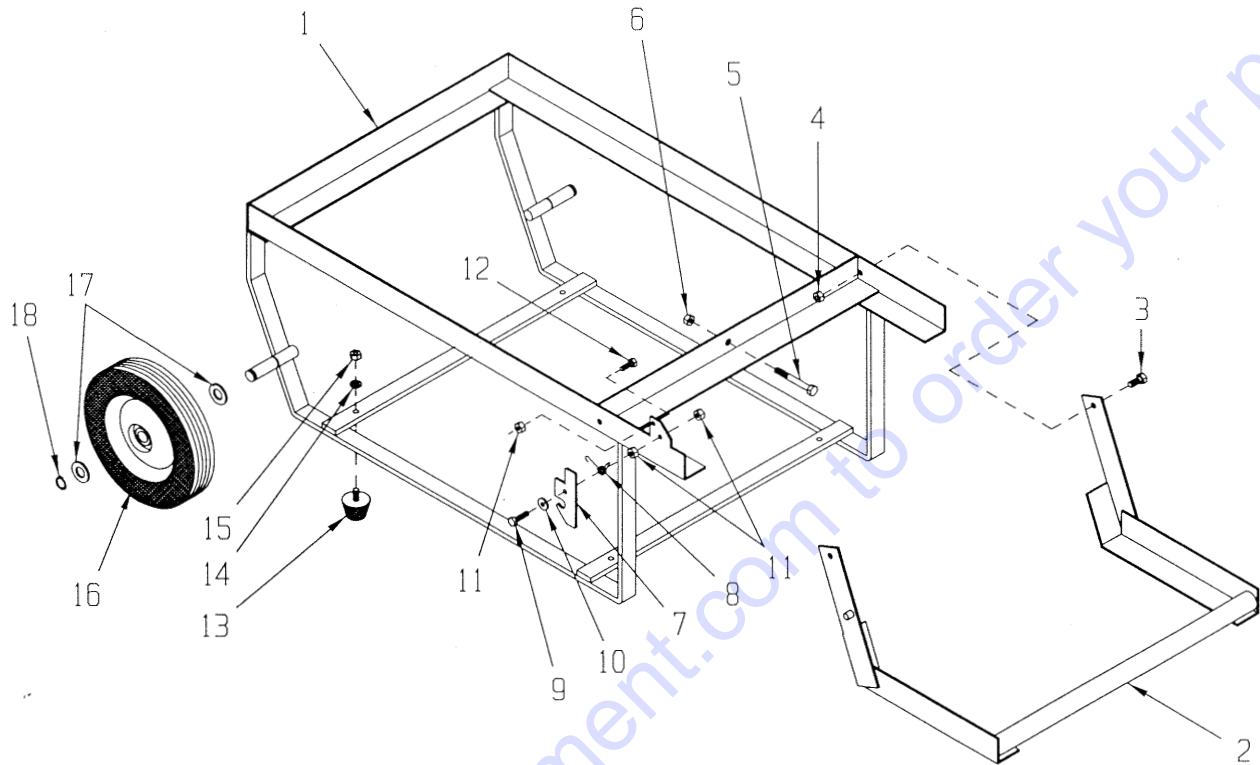


NOTE:
VACUUM PORT TUBE ASSEMBLY SHOULD BE
REMOVED WHEN USING THE WATER PUMP.
(REFER TO ILLUS. 1, ITEMS 46 THRU 50)

DRILL 3/16 DIA. HOLE
THROUGH CLIP AND PAN

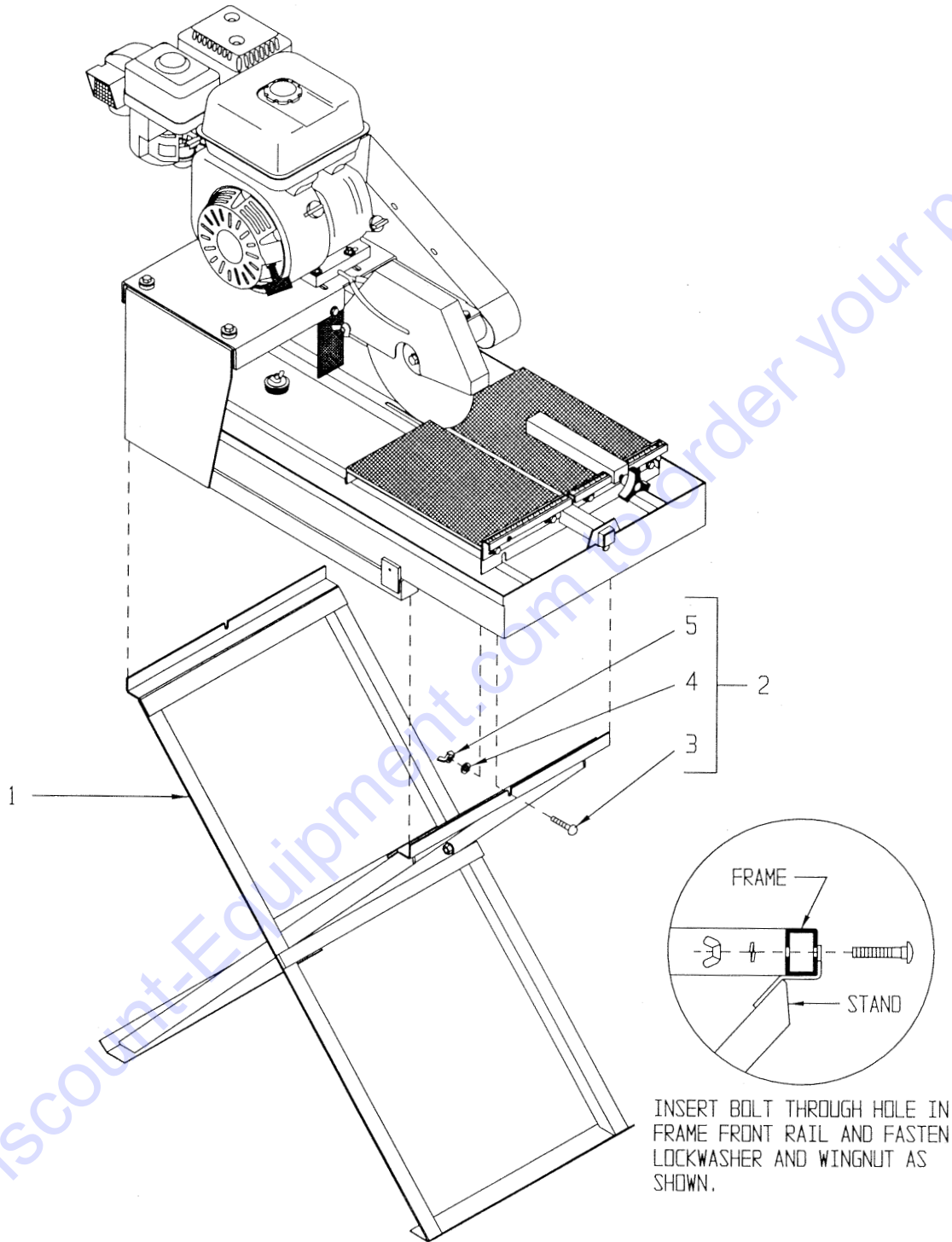
ITEM #	PART #	DESCRIPTION	QTY.	ITEM #	PART #	DESCRIPTION	QTY.
1	42223	COVER, BELT, WATER PUMP OPT.	1	13	10714	CLAMP, HOSE, SIZE M4, ADJ. TO 5/8"	2
2	10802	BOLT, CARRIAGE 3/8-16 x 1	1	14	42232	HOSE 5/16"ID x 8"L	1
3	10312	WASHER, FLAT 1/2	1	15	42131	CLAMP, TUBE, FLOW CONTROL 3/4"	1
4	10025	WASHER, FLAT 3/8	1	16	10763	CLAMP, HOSE SPRING TYPE 7/16"	2
5	80011	KNOB, 3-PRONG W/ 3/8-16 THD.	1	17	40049	BULB, PRIMER 5/16"	1
6	42230	PUMP ASSEMBLY, WATER	1	18	42233	HOSE 5/16"ID X 3"L	2
7	42211	BRACKET, WATER PUMP	1	19	42234	COUPLING, QUICK-DISCONNECT 3/8"	1
8	10038	WASHER, LOCK 1/4	2	20	42235	FILTER ASSEMBLY, WATER	1
9	10018	SCREW, CAP 1/4-20 x 3/4	2	21	10833	SCREW, MACHINE 10-32 x 3/4	1
10	42212	WHEEL, WATER PUMP, 2.5"DIA.	1	22	10831	WASHER, LOCK, INT. TOOTH #10	1
11	10161	SCREW, SET 1/4-28 x 5/16	1	23	10832	NUT 10-32	1
12	42143	HOSE 1/4"ID x 18"L	1				

ILLUSTRATION 6: CART ASSEMBLY OPTION PART # 24650



ITEM #	PART #	DESCRIPTION	QTY.
1	24651	CART ONLY	1
2	24652	HANDLE, CART	1
3	10053	SCREW, CAP 5/16-18 x 3/4	2
4	10807	NUT, LOCK 5/16-18	2
5	10010	SCREW, CAP 5/16-18 x 2-1/2	1
6	10054	NUT 5/16-18	2
7	24653	LATCH, CART HANDLE	1
8	42225	SPRING, TORSION	1
9	10031	SCREW, CAP 1/4-20 x 1	1
10	10602	WASHER, FLAT 1/4	1
11	10013	NUT 1/4-20	3
12	10018	SCREW, CAP 1/4-20 x 3/4	1
13	10931	FOOT, RUBBER, W/ STUD 5/16-24 x 5/8	4
14	10801	WASHER, LOCK 5/16	4
15	10424	NUT 5/16-24	4
16	24654	WHEEL 8 x 1-3/4 x 5/8"BRG.	2
17	10073	WASHER, FLAT 5/8	4
18	11575	RETAINING RING, EXT. 5/8"	2

ILLUSTRATION 7: PORTABLE FOLDING STAND OPTION

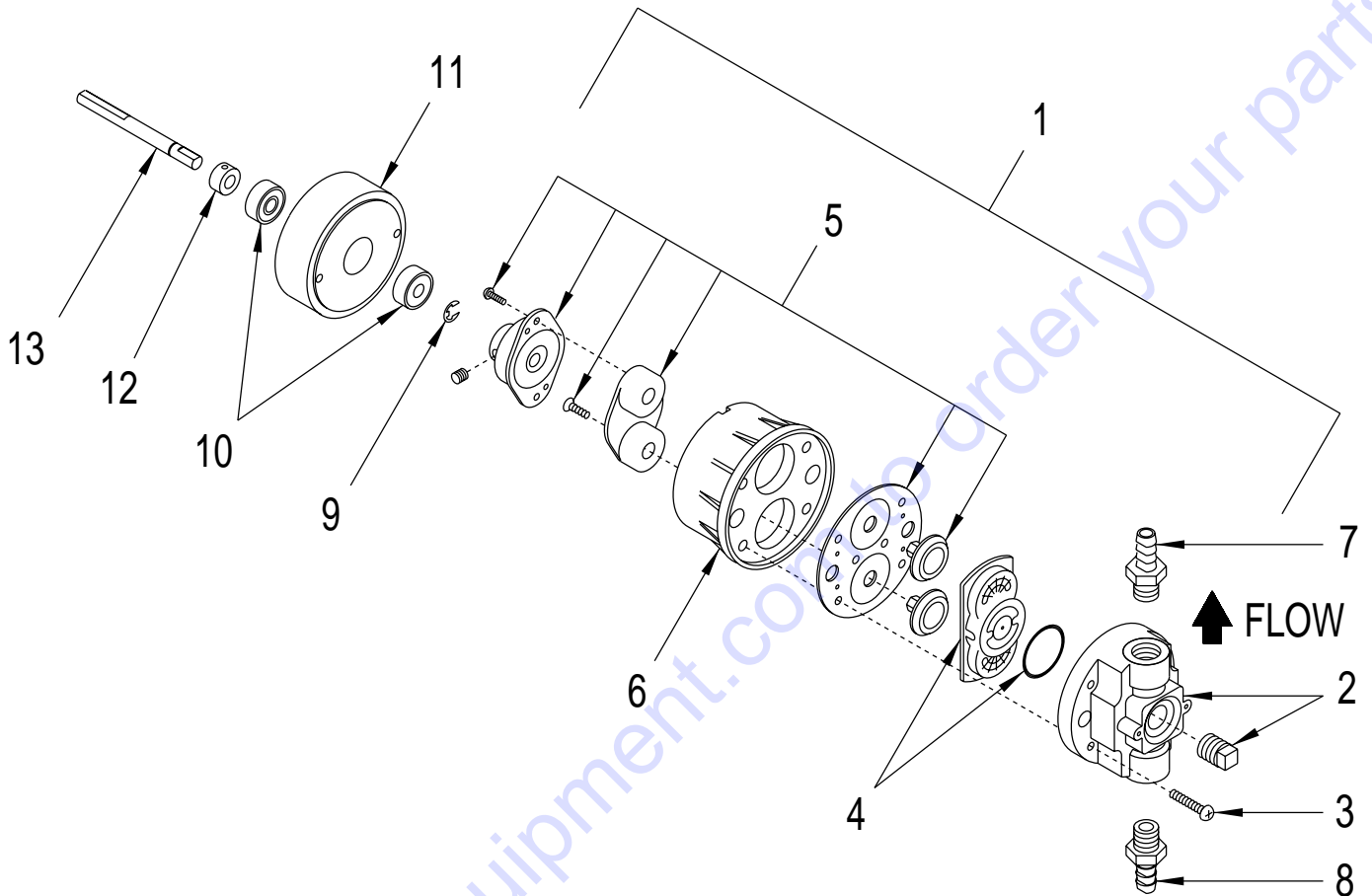


ITEM #	PART #	DESCRIPTION	QTY.
1	24150	STAND, PORTABLE FOLDING	1
2	42240	SAFETY BOLT KIT (INCLUDES ITEMS 3 THROUGH 5)	1
3	10918	BOLT, CARRIAGE 5/16-18 x 1-3/4	1
4	10801	WASHER, LOCK 5/16	1
5	10902	NUT, WING 5/16-18	1

WATER PUMP ASSEMBLY

PART # 42230

FOR MODELS GMS-14A & GMS-10



ITEM #	PART #	DESCRIPTION	QTY.
1	56101-S1	PUMP HEAD REPLACEMENT, DUPLEX 21050-653A (INCLUDES ITEMS 2 THRU 6)	1
2	56101-S2	HOUSING BODY 20500-507	1
3	56101-S3	SCREWS 20131-001 (SET OF 6)	1-SET
4	56101-S4	CHECK VALVE KIT 20028-008	1
5	56101-S5	DIAPHRAGM KIT W/ BEARING 21004-401	1
6	56101-S6	HOUSING BEARING COVER 20428-100	1
7	40337	BARB, 1/4 HOSE x 3/8 MPT (PLASTIC)	1
8	40319	BARB, 5/16 HOSE x 3/8 MPT (PLASTIC)	1
9	10137	RETAINING RING, E-CLIP 5/16	1
10	40391	BEARING, RADIAL BALL 5/16 x 7/8 x 9/32	2
11	40393-S1	HUB	1
12	10415	COLLAR, LOCKING 5/16" I.D.	1
13	40393-S2	SHAFT 5/16 x 3-3/4	1

PARTS FINDER

**Search Website
by Part Number**



**Search Manual
Library For Parts
Manual & Lookup Part
Numbers – Purchase
or Request Quote**

Search Manuals

Enter your information to help us find the right part for your machine.

* Brand:

* Model:

* Serial:

* Part Number:

SEARCH

**Can't Find Part or
Manual? Request Help
by Manufacturer,
Model & Description**

Parts Order Form

Please fill in the following information to help us find the right part for your machine.

Manufacturer:	<input type="text"/>
Model:	<input type="text"/>
Description:	<input type="text"/>
Part Number:	<input type="text"/>
Quantity:	<input type="text"/>
Notes:	<input type="text"/>

Submit

Discount-Equipment.com is your online resource for quality parts & equipment.

Florida: **561-964-4949** Outside Florida TOLL FREE: **877-690-3101**

Need parts?

Click on this link: <http://www.discount-equipment.com/category/5443-parts/> and choose one of the options to help get the right parts and equipment you are looking for. Please have the machine model and serial number available in order to help us get you the correct parts. If you don't find the part on the website or on one of the online manuals, please fill out the request form and one of our experienced staff members will get back to you with a quote for the right part that your machine needs.

We sell worldwide for the brands: Genie, Terex, JLG, MultiQuip, Mikasa, Essick, Whiteman, Mayco, Toro Stone, Diamond Products, Generac Magnum, Airman, Haulotte, Barreto, Power Blanket, Nifty Lift, Atlas Copco, Chicago Pneumatic, Allmand, Miller Curber, Skyjack, Lull, Skytrak, Tsurumi, Husquvarna Target, Stow, Wacker, Sakai, Mi-T-M, Sullair, Basic, Dynapac, MBW, Weber, Bartell, Bennar Newman, Haulotte, Ditch Runner, Menegotti, Morrison, Contec, Buddy, Crown, Edco, Wyco, Bomag, Laymor, EZ Trench, Bil-Jax, F.S. Curtis, Gehl Pavers, Heli, Honda, ICS/PowerGrit, IHI, Partner, Imer, Clipper, MMD, Koshin, Rice, CH&E, General Equipment, Amida, Coleman, NAC, Gradall, Square Shooter, Kent, Stanley, Tamco, Toku, Hatz, Kohler, Robin, Wisconsin, Northrock, Oztec, Toker TK, Rol-Air, APT, Wylie, Ingersoll Rand / Doosan, Innovatech, Con X, Ammann, Mecalac, Makinex, Smith Surface Prep, Small Line, Wanco, Yanmar