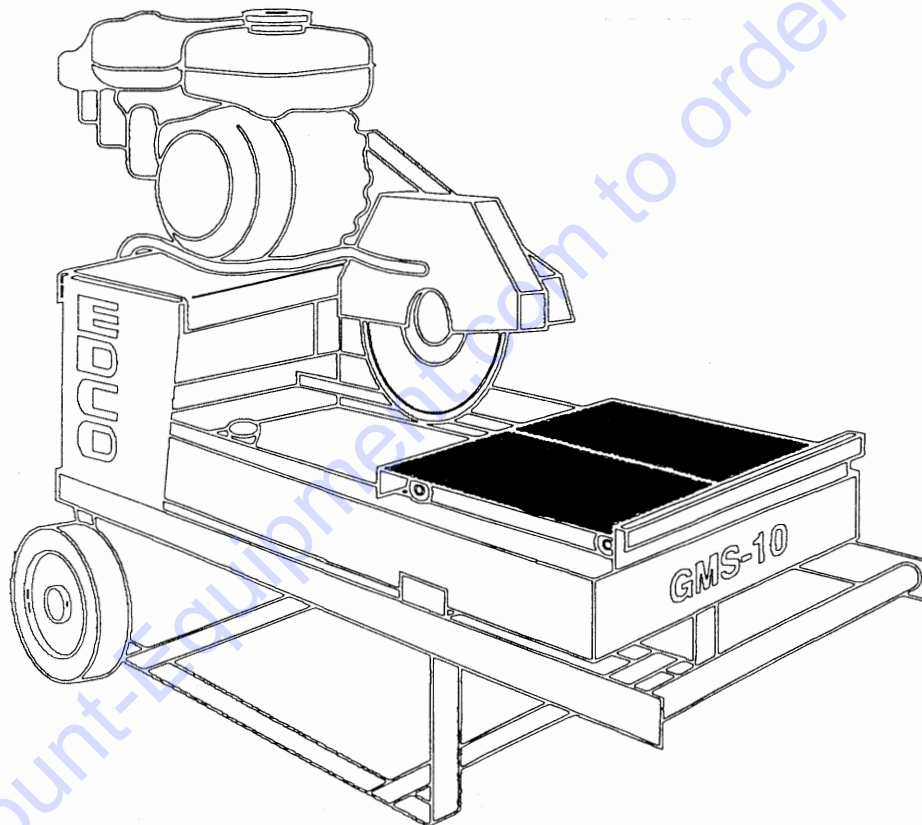


EFFECTIVE MAY 1998
STARTING SERIAL # 5001

GASOLINE POWERED 10" MASONRY SAW

PARTS LIST MANUAL



Model GMS-10



PARTS FINDER

**Search Website
by Part Number**



**Search Manual
Library For Parts
Manual & Lookup Part
Numbers – Purchase
or Request Quote**

Search Manuals

Enter your information to help us find the right parts manual for your machine.

* Brand:

* Model:

* Serial:

* Part Number:

SEARCH

**Can't Find Part or
Manual? Request Help
by Manufacturer,
Model & Description**

Parts Order Form

Please fill in the following information to help us find the right part for your machine.

MANUFACTURER:

MODEL:

DESCRIPTION:

SEARCH

Discount-Equipment.com is your online resource for quality parts & equipment.

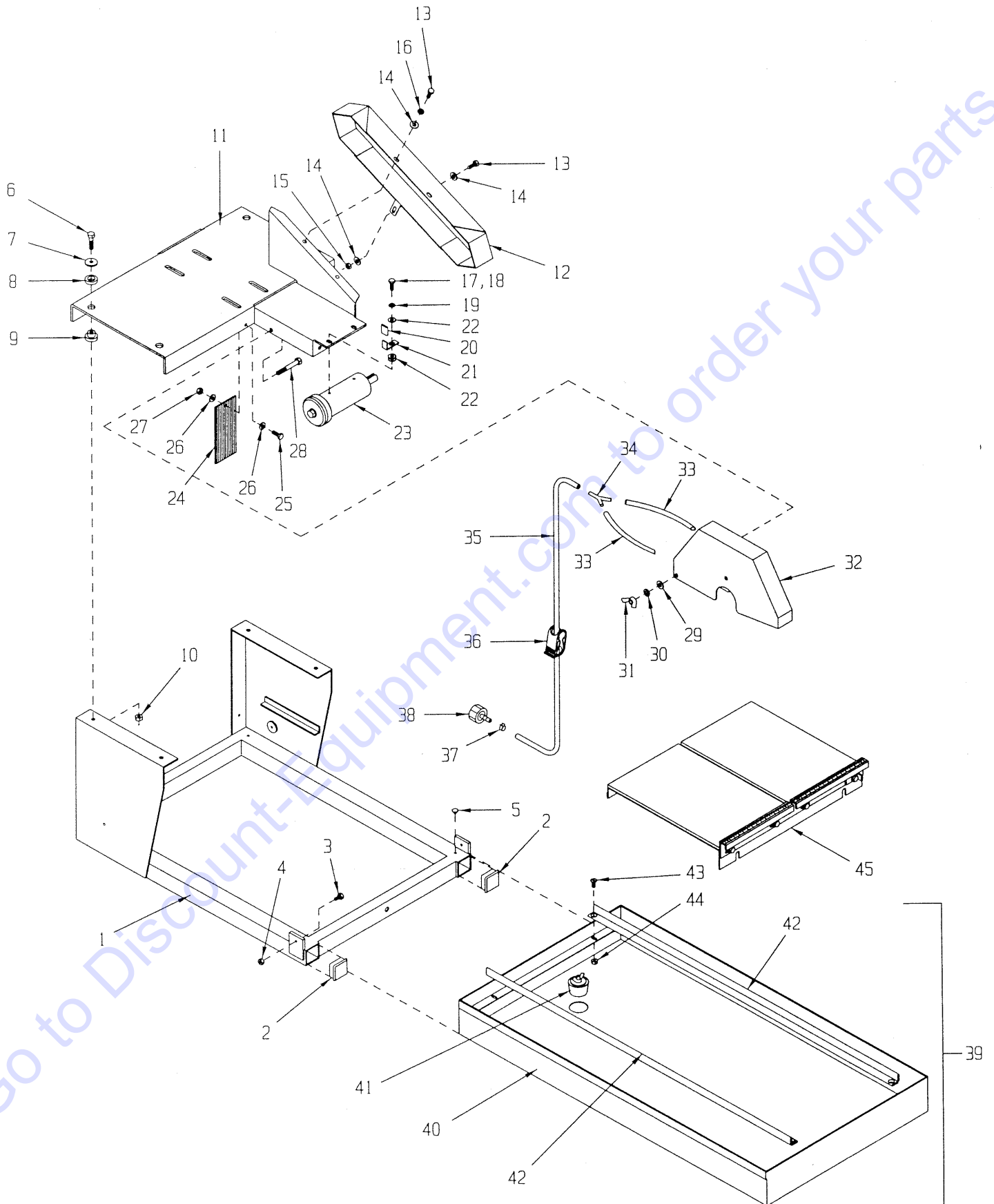
Florida: **561-964-4949** Outside Florida TOLL FREE: **877-690-3101**

Need parts?

Click on this link: <http://www.discount-equipment.com/category/5443-parts/> and choose one of the options to help get the right parts and equipment you are looking for. Please have the machine model and serial number available in order to help us get you the correct parts. If you don't find the part on the website or on one of the online manuals, please fill out the request form and one of our experienced staff members will get back to you with a quote for the right part that your machine needs.

We sell worldwide for the brands: Genie, Terex, JLG, MultiQuip, Mikasa, Essick, Whiteman, Mayco, Toro Stone, Diamond Products, Generac Magnum, Airman, Haulotte, Barreto, Power Blanket, Nifty Lift, Atlas Copco, Chicago Pneumatic, Allmand, Miller Curber, Skyjack, Lull, Skytrak, Tsurumi, Husquvarna Target, Stow, Wacker, Sakai, Mi-T-M, Sullair, Basic, Dynapac, MBW, Weber, Bartell, Bennar Newman, Haulotte, Ditch Runner, Menegotti, Morrison, Contec, Buddy, Crown, Edco, Wyco, Bomag, Laymor, EZ Trench, Bil-Jax, F.S. Curtis, Gehl Pavers, Heli, Honda, ICS/PowerGrit, IHI, Partner, Imer, Clipper, MMD, Koshin, Rice, CH&E, General Equipment, Amida, Coleman, NAC, Gradall, Square Shooter, Kent, Stanley, Tamco, Toku, Hatz, Kohler, Robin, Wisconsin, Northrock, Oztec, Toker TK, Rol-Air, APT, Wylie, Ingersoll Rand / Doosan, Innovatech, Con X, Ammann, Mecalac, Makinex, Smith Surface Prep, Small Line, Wanco, Yanmar

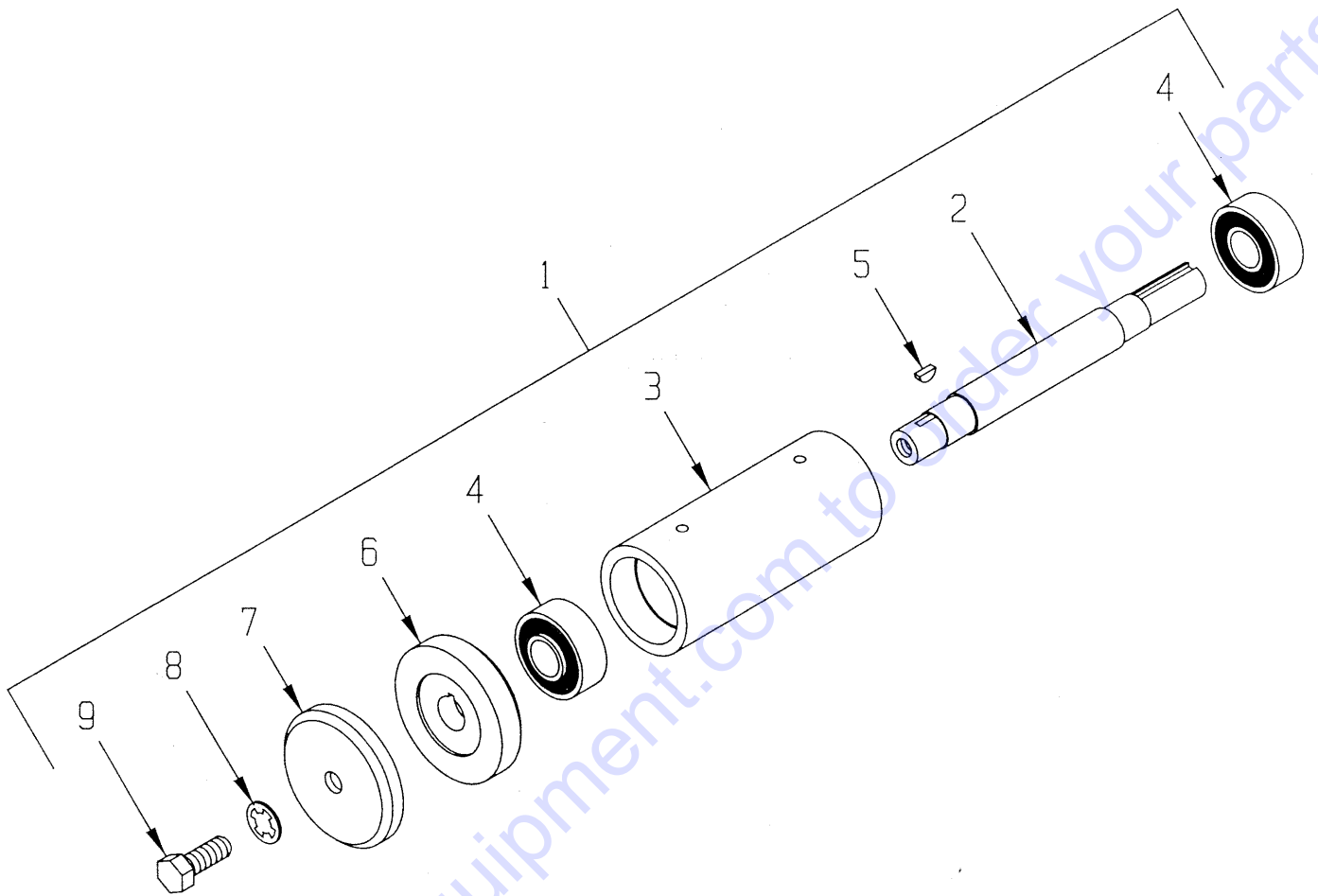
ILLUSTRATION 1: MAIN ASSEMBLY GROUPING



**PARTS LISTING - ILLUSTRATION 1:
MAIN ASSEMBLY GROUPING**

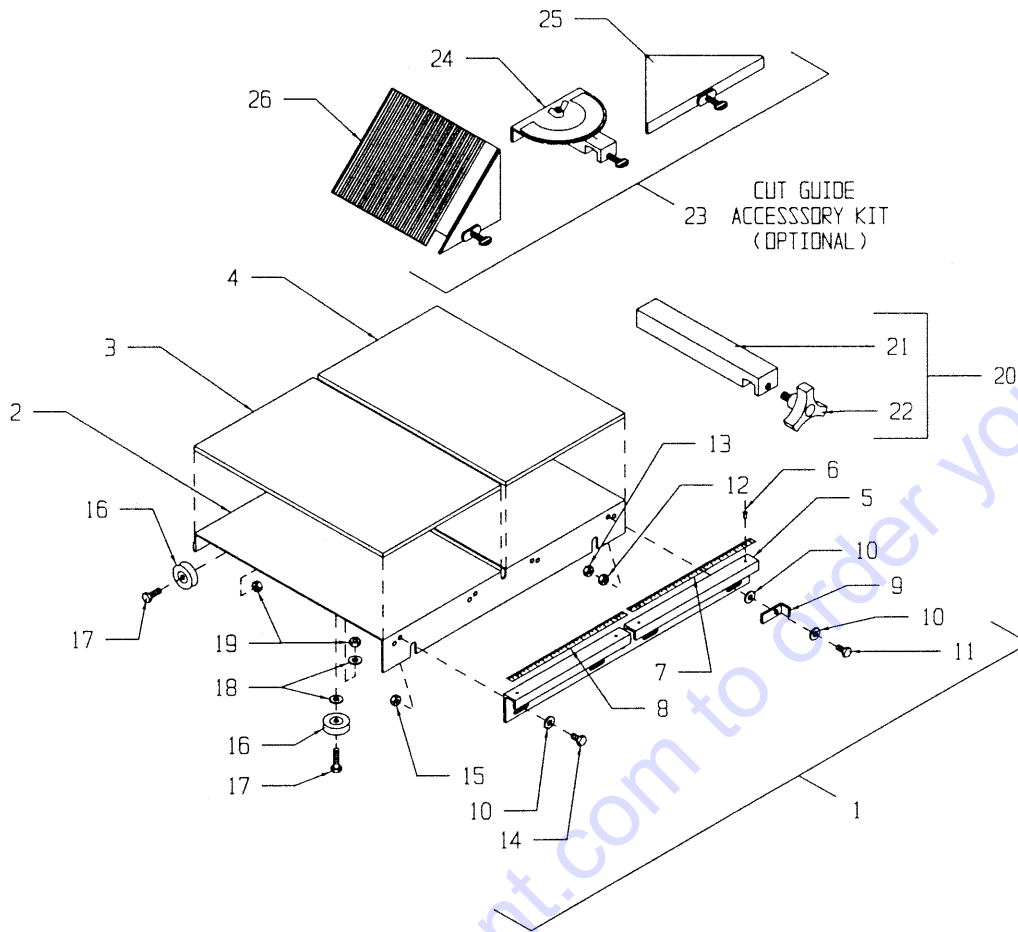
ITEM #	PART #	DESCRIPTION	QTY.
1	42201	MAIN FRAME	1
2	42148	PLUG, SQ. TUBE 1-1/2 X 14 GA., BLACK	2
3	42213	SCREW, NYLON MACHINE 10-32 x 1/2	AS REQ'D.
4	42214	NUT, NYLON HEX 10-32	AS REQ'D.
5	42127	RIVET, NYLON PUSH-IN PANEL	10
6	10606	SCREW, CAP 5/16-18 X 1-1/4	4
7	42203	WASHER, RUBBER BUSHING	4
8	40326	BUSHING, RUBBER 1-1/4"OD X 5/8"ID X 1/4"THK	4
9	10225	BUSHING, GMS ENGINE MOUNT	4
10	10807	NUT, LOCK 5/16-18	4
11	42202	DECK, ENGINE & ARBOR	1
12	42207	COVER, BELT	1
13	10018	SCREW, CAP 1/4-20 X 3/4	3
14	10602	WASHER, FLAT 1/4	4
15	10861	NUT, KEPS 1/4-20	1
16	10038	WASHER, LOCK 1/4	2
17	10018	SCREW, CAP 1/4-20 X 3/4	1
18	10834	SCREW, CAP 1/4-20 X 1/2	3
19	10038	WASHER, LOCK 1/4	4
20	42144	COVER, VIBRATION	1
21	42128	BRACKET, BLADE GUARD RETAINER	1
22	10602	WASHER, FLAT 1/4	4
23	42114	ARBOR ASSEMBLY COMPLETE (REFER TO ILLUS. 2 FOR BREAKDOWN)	1
24	42161	FLAP, SPLASH 2-1/2 X 5-1/2	1
25	10018	SCREW, CAP 1/4-20 X 3/4	1
26	10602	WASHER, FLAT 1/4	2
27	10861	NUT, KEPS 1/4-20	1
28	10341	SCREW, CAP 5/16-18 X 2-1/4	1
29	10213	WASHER, FLAT 5/16	1
30	10801	WASHER, LOCK 5/16	1
31	10902	NUT, WING 5/16-18	1
32	42113	GUARD, BLADE 10"	1
33	42141	HOSE 1/4"ID X 8"L	2
34	99323	BARBED FITTING, "Y" 1/4"HOSE (PLASTIC)	1
35	42208	HOSE 1/4"ID X 30"L	1
36	42131	CLAMP, TUBE, FLOW CONTROL 3/4"	1
37	10762	CLAMP, HOSE SPRING-TYPE 3/8" (GREEN)	1
38	11570	INSERT, SWIVEL FEMALE 1/4"HOSE X 3/4"GHT	1
39	42204A	PAN ASSEMBLY W/ RAILS & STOPPER (INCLUDES ITEMS 40 THRU 44)	
40	42204	PAN	1
41	40378	STOPPER ASSEMBLY 1-1/2"	1
42	42102B	TRACK RAIL	2
43	11540	SCREW, FLAT HEAD SLOTTED 1/4-20 X 5/8	4
44	10861	NUT, KEPS 1/4-20	4
45	42220	TABLE COMPLETE, ROLLING (REFER TO ILLUS. 3 FOR BREAKDOWN)	1

ILLUSTRATION 2: ARBOR ASSEMBLY GROUPING



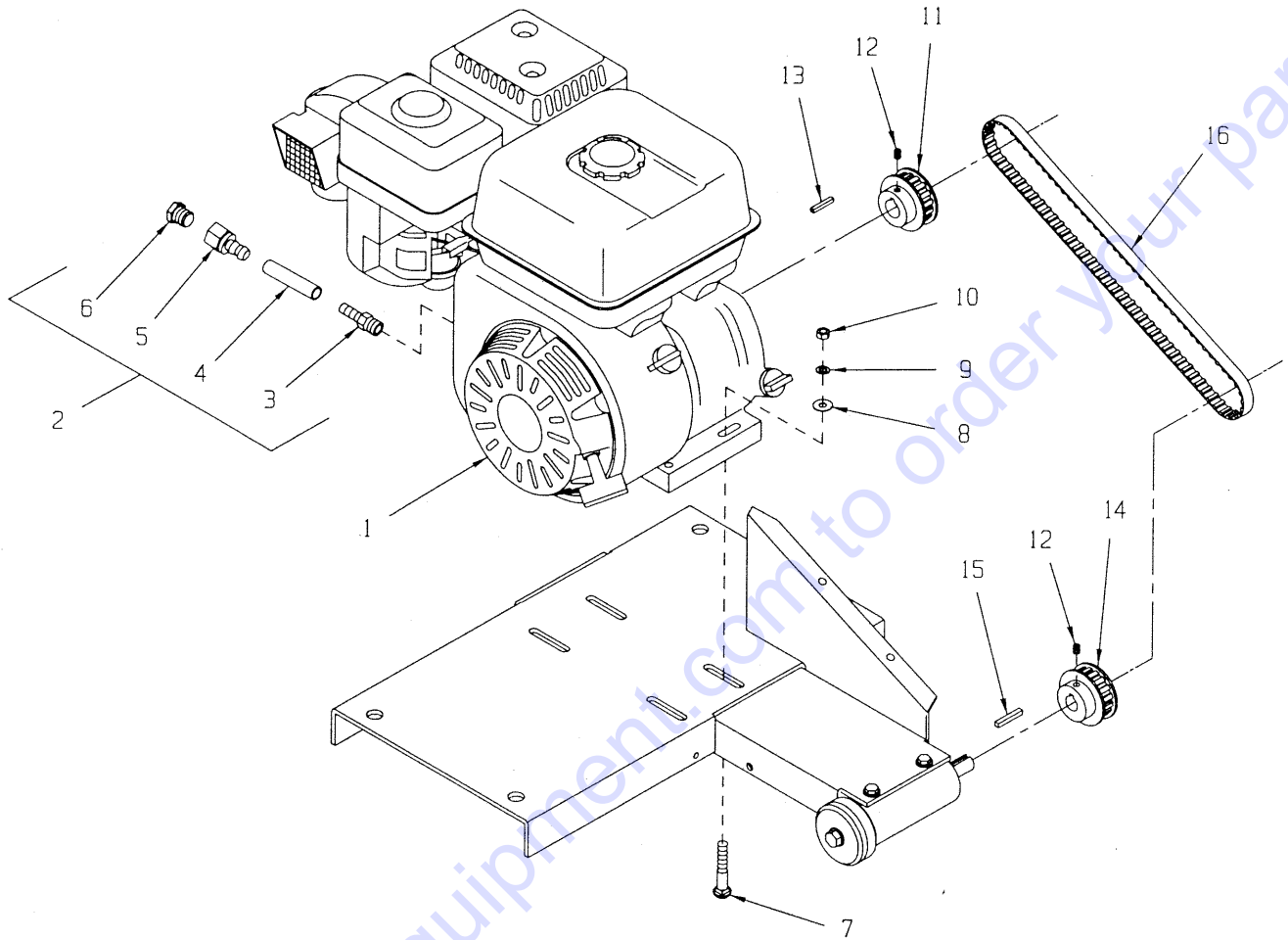
ITEM #	PART #	DESCRIPTION	QTY.
1	42114	ARBOR ASSEMBLY COMPLETE (INCLUDES ITEMS 2 THRU 9)	
2	42115	ARBOR SHAFT 6-3/4"L	1
3	42116	ARBOR HOUSING	1
4	42119	BEARING, RADIAL BALL 17mm X 40mm X .563"	2
5	40036	KEY, WOODRUFF 1/8 X 3/8	1
6	42117	ARBOR BACKING PLATE	1
7	42118	ARBOR BLADE RETAINING CAP	1
8	10453	WASHER, LOCK, INT. TOOTH 3/8"	1
9	10021	SCREW, CAP 3/8-24 X 1	1

ILLUSTRATION 3: ROLLING TABLE GROUPING



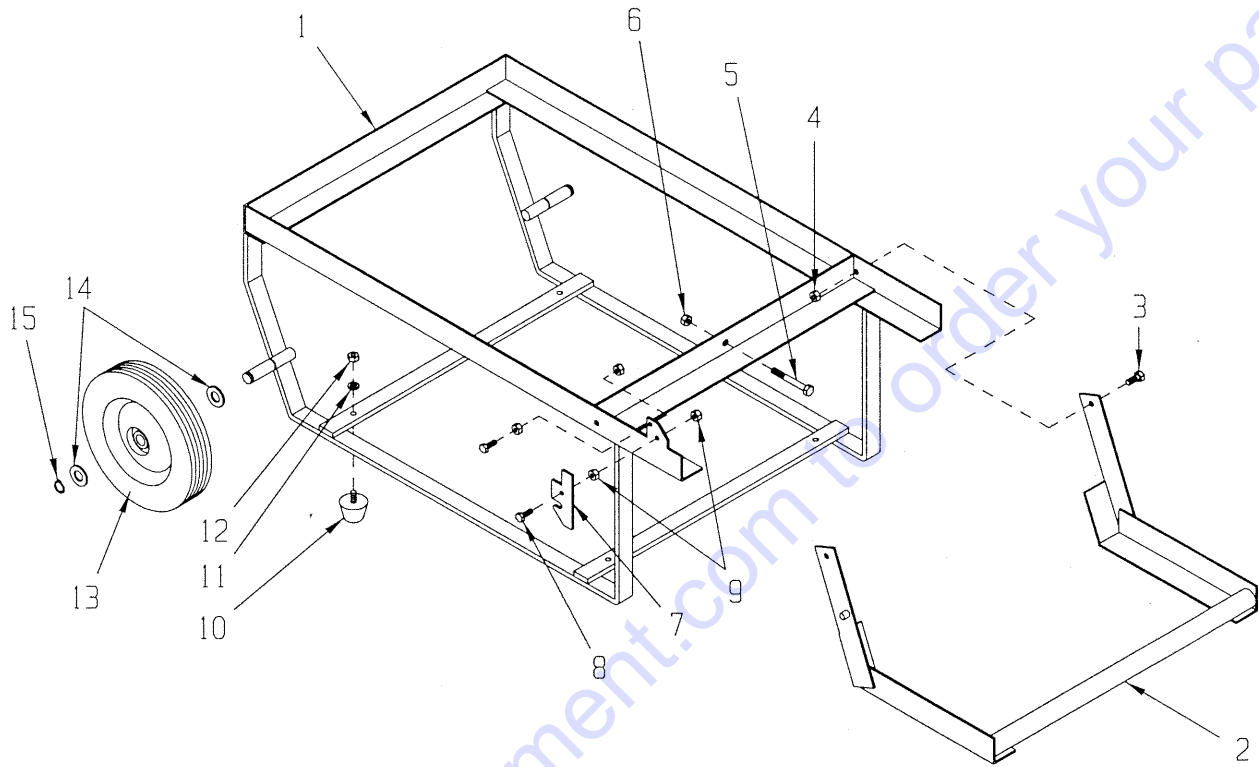
ITEM #	PART #	DESCRIPTION	QTY.
1	42220	TABLE COMPLETE, ROLLING (INCLUDES ITEMS 2 THRU 19)	
2	42171	TABLE ONLY, ROLLING	1
3	42222	RUBBER PAD 12-1/4 x 7-1/2 x 1/4	1
4	42221	RUBBER PAD 12-1/4 x 8 x 1/4	1
5	42172	TABLE FRONT PANEL, ROLLING	1
6	11571	RIVET, BLIND 1/8 x .640"L x .250"HD. DIA.	4
7	42136	RULE, ADHESIVE-BACKED, 1 THRU 8, L TO R	1
8	42137	RULE, ADHESIVE-BACKED, 1 THRU 7, R TO L	1
9	42106	LATCH, ROLLING TABLE	1
10	10602	WASHER, FLAT 1/4	5
11	10031	SCREW, CAP 1/4-20 x 1	1
12	10013	NUT 1/4-20	1
13	10015	NUT, LOCK 1/4-20	1
14	10834	SCREW, CAP 1/4-20 X 1/2	3
15	10861	NUT, KEPS 1/4-20	3
16	14082	TRACK WHEEL 1-1/4"DIA. x 1/2"BORE	6
17	10031	SCREW, CAP 1/4-20 x 1	6
18	10602	WASHER, FLAT 1/4	8
19	10861	NUT, KEPS 1/4-20	6
20	42205	GUIDE ASSEMBLY, STRAIGHT CUT (INCLUDES ITEMS 21 AND 22)	1
21	42206	GUIDE ONLY, STRAIGHT CUT	1
22	40425	KNOB, 3-PRONG W/ 3/8-16 x 5/8" STUD	1
23	42149	ACCESSORY PACKAGE, OPTIONAL (INCLUDES ITEMS 24, 25, AND 26)	
24	42150	GUIDE ASSEMBLY, ADJUSTABLE PROTRACTOR	1
25	42153	GUIDE ASSEMBLY, DUAL 45 DEG. ANGLE	1
26	42155	GUIDE ASSEMBLY, 45 DEG. MITER	1

ILLUSTRATION 4: ENGINE GROUPING



ITEM #	PART #	DESCRIPTION	QTY.
1	15044	ENGINE, HONDA 4 HP GX120	1
2	40327	OIL DRAIN KIT (INCLUDES ITEMS 3 THRU 6)	1
3	11541	BARB, PUSH-ON 3/8 HOSE x 10mm x 1.25 MALE	1
4	56116	HOSE, PUSH-ON 3/8"ID X 3"L	1
5	11544	BARB, PUSH-ON 3/8 HOSE x 1/4 FPT	1
6	10766	PIPE PLUG 1/4 NPT	1
7	10817	BOLT, CARRIAGE 5/16-18 x 1-1/2	4
8	10213	WASHER, FLAT 5/16	4
9	10801	WASHER, LOCK 5/16	4
10	10054	NUT 5/16-18	4
11	42209	PULLEY, TIMING 17L050 x 3/4" BORE	1
12	10139	SCREW, SET 1/4-20 x 5/16 (INCLUDED W/ PULLEY)	2
13	----	KEY 3/16"SQ. (INCLUDED W/ ENGINE)	1
14	42121	PULLEY, TIMING 17L050 x 5/8"BORE	1
15	10060	KEY 3/16"SQ. x 1-1/4	1
16	42210	BELT, TIMING 322L050	1

ILLUSTRATION 5: OPTIONAL CART ASSEMBLY PART # 24650



ITEM #	PART #	DESCRIPTION	QTY.
1	24651	CART ONLY	1
2	24652	HANDLE, CART	1
3	10053	SCREW, CAP 5/16-18 x 3/4	2
4	10807	NUT, LOCK 5/16-18	2
5	10010	SCREW, CAP 5/16-18 x 2-1/2	1
6	10054	NUT 5/16-18	2
7	24653	LATCH, CART HANDLE	1
8	10018	SCREW, CAP 1/4-20 x 3/4	2
9	10013	NUT 1/4-20	4
10	10931	FOOT, RUBBER, W/ STUD 5/16-24 x 5/8	4
11	10801	WASHER, LOCK 5/16	4
12	10424	NUT 5/16-24	4
13	24654	WHEEL 8 x 1-3/4 x 5/8" BORE	2
14	10073	WASHER, FLAT 5/8	4
15	11575	RETAINING RING, EXT. 5/8"	2

PARTS FINDER

**Search Website
by Part Number**



**Search Manual
Library For Parts
Manual & Lookup Part
Numbers – Purchase
or Request Quote**

Search Manuals

Enter your information to help us find the right parts manual for your machine.

* Brand:

* Model:

* Serial:

* Part Number:

SEARCH

**Can't Find Part or
Manual? Request Help
by Manufacturer,
Model & Description**

Parts Order Form

Please fill in the following information to help us find the right part for your machine.

Manufacturer:	<input type="text"/>
Model:	<input type="text"/>
Description:	<input type="text"/>
Part Number:	<input type="text"/>
Quantity:	<input type="text"/>
Notes:	<input type="text"/>

Submit

Discount-Equipment.com is your online resource for quality parts & equipment.

Florida: **561-964-4949** Outside Florida TOLL FREE: **877-690-3101**

Need parts?

Click on this link: <http://www.discount-equipment.com/category/5443-parts/> and choose one of the options to help get the right parts and equipment you are looking for. Please have the machine model and serial number available in order to help us get you the correct parts. If you don't find the part on the website or on one of the online manuals, please fill out the request form and one of our experienced staff members will get back to you with a quote for the right part that your machine needs.

We sell worldwide for the brands: Genie, Terex, JLG, MultiQuip, Mikasa, Essick, Whiteman, Mayco, Toro Stone, Diamond Products, Generac Magnum, Airman, Haulotte, Barreto, Power Blanket, Nifty Lift, Atlas Copco, Chicago Pneumatic, Allmand, Miller Curber, Skyjack, Lull, Skytrak, Tsurumi, Husquvarna Target, Stow, Wacker, Sakai, Mi-T-M, Sullair, Basic, Dynapac, MBW, Weber, Bartell, Bennar Newman, Haulotte, Ditch Runner, Menegotti, Morrison, Contec, Buddy, Crown, Edco, Wyco, Bomag, Laymor, EZ Trench, Bil-Jax, F.S. Curtis, Gehl Pavers, Heli, Honda, ICS/PowerGrit, IHI, Partner, Imer, Clipper, MMD, Koshin, Rice, CH&E, General Equipment, Amida, Coleman, NAC, Gradall, Square Shooter, Kent, Stanley, Tamco, Toku, Hatz, Kohler, Robin, Wisconsin, Northrock, Oztec, Toker TK, Rol-Air, APT, Wylie, Ingersoll Rand / Doosan, Innovatech, Con X, Ammann, Mecalac, Makinex, Smith Surface Prep, Small Line, Wanco, Yanmar