



REVISED STARTING
SERIAL # 110910092

PARTS LIST MANUAL MODEL HSS14



SHOWN WITH OPTIONAL PROCART

14" HARDSCAPE SAWS

SKU #	MODEL #	POWER OPTION
24800	HSS14-5.5H	HONDA ENGINE GX160U1-QXC9 W/ CYCLONE AIR CLEANER
25800	HSS14-6.5H	HONDA ENGINE GX200U-QXC9 W/ CYCLONE AIR CLEANER
26200	HSS14-1.5B	BALDOR MOTOR 1.5 HP -1PH-60Hz-115/230-14/7FLA



A Division of Equipment Development Company, Inc.

PARTS FINDER

**Search Website
by Part Number**



**Search Manual
Library For Parts
Manual & Lookup Part
Numbers – Purchase
or Request Quote**

Search Manuals

Enter your information to help us find the right parts manual for your machine.

* Brand:

* Model:

* Serial:

* Part Number:

SEARCH

**Can't Find Part or
Manual? Request Help
by Manufacturer,
Model & Description**

Parts Order Form

Please fill in the following information to help us find the right part for your machine.

Manufacturer:	<input type="text"/>
Model:	<input type="text"/>
Description:	<input type="text"/>
Part Number:	<input type="text"/>
Quantity:	<input type="text"/>
Notes:	<input type="text"/>

Submit

Discount-Equipment.com is your online resource for quality parts & equipment.

Florida: **561-964-4949** Outside Florida TOLL FREE: **877-690-3101**

Need parts?

Click on this link: <http://www.discount-equipment.com/category/5443-parts/> and choose one of the options to help get the right parts and equipment you are looking for. Please have the machine model and serial number available in order to help us get you the correct parts. If you don't find the part on the website or on one of the online manuals, please fill out the request form and one of our experienced staff members will get back to you with a quote for the right part that your machine needs.

We sell worldwide for the brands: Genie, Terex, JLG, MultiQuip, Mikasa, Essick, Whiteman, Mayco, Toro Stone, Diamond Products, Generac Magnum, Airman, Haulotte, Barreto, Power Blanket, Nifty Lift, Atlas Copco, Chicago Pneumatic, Allmand, Miller Curber, Skyjack, Lull, Skytrak, Tsurumi, Husquvarna Target, Stow, Wacker, Sakai, Mi-T-M, Sullair, Basic, Dynapac, MBW, Weber, Bartell, Bennar Newman, Haulotte, Ditch Runner, Menegotti, Morrison, Contec, Buddy, Crown, Edco, Wyco, Bomag, Laymor, EZ Trench, Bil-Jax, F.S. Curtis, Gehl Pavers, Heli, Honda, ICS/PowerGrit, IHI, Partner, Imer, Clipper, MMD, Koshin, Rice, CH&E, General Equipment, Amida, Coleman, NAC, Gradall, Square Shooter, Kent, Stanley, Tamco, Toku, Hatz, Kohler, Robin, Wisconsin, Northrock, Oztec, Toker TK, Rol-Air, APT, Wylie, Ingersoll Rand / Doosan, Innovatech, Con X, Ammann, Mecalac, Makinex, Smith Surface Prep, Small Line, Wanco, Yanmar

READ AND UNDERSTAND THE OPERATORS INSTRUCTION MANUAL *THOROUGHLY* BEFORE ATTEMPTING TO OPERATE THIS EQUIPMENT.



Death or serious injury could occur if this machine is used improperly.



SAFETY MESSAGES

- Safety Instructions are preceded by a graphic alert symbol of DANGER, WARNING, or CAUTION.



Indicates an imminent hazard which, if not avoided, will result in death or serious injury.



Indicates an imminent hazard which, if not avoided, can result in death or serious injury.



Indicates hazards which, if not avoided, could result in serious injury and or damage to the equipment.

GASOLINE/PROPANE POWERED EQUIPMENT



• Engine exhaust from this product contains chemicals known to the State of California to cause cancer, birth defects or other reproductive harm.



• Gasoline is extremely flammable and poisonous. It should only be dispensed in well ventilated areas, and with a cool engine.

- Small gasoline engines produce high concentrations of carbon monoxide (CO) example: a 5 HP 4 cycle engine operation in an enclosed 100,000 cu. ft. area with only one change of air per hour is capable of providing deadly concentrations of CO in less than fifteen minutes. Five changes of air in the same area will produce noxious fumes in less than 30 minutes. Gasoline or propane powered equipment should not be used in enclosed or partially enclosed areas. Symptoms of CO poisoning include, headache, nausea, weakness, dizziness, visual problems and loss of consciousness. If symptoms occur - get into fresh air and seek medical attention immediately.

ELECTRICAL POWERED EQUIPMENT



Extreme care must be taken when operating electric models with water present: Ensure power cord is properly grounded, is attached to a Ground-Fault-Interrupter (GFI) outlet, and is undamaged.

- Check all electrical cables - be sure connections are tight and cable is continuous and in good condition. Be sure cable is correctly rated for both the operating current and voltage of this equipment.
- Improper connection of the equipment-grounding conductor can result in a risk of electric shock. Check with qualified electrician or service person if there is any doubt as to whether the outlet is properly grounded. Adhere to **all** local codes and ordinances.
- **NOTE:** In the event of a malfunction or breakdown, grounding provides a path of least resistance for the electric current to dissipate. The motor is equipped with a grounded plug and must be connected to an outlet that is properly installed and properly grounded. **DO NOT** modify the plug provided on the motor. If the plug does not fit the outlet have a qualified electrician install the proper receptacle.
- Switch motor OFF **before** disconnecting power.

- Do not disconnect power by pulling cord. To disconnect, grasp the plug, not the cord.
- Unplug power cord at the machine when not in use and before servicing.

GENERAL INSTRUCTIONS

- Equipment should only be operated by trained personnel in good physical condition and mental health (not fatigued). The operator and maintenance personnel must be physically able to handle the bulk weight and power of this equipment.
- This is a one person tool. Maintain a safe operating distance to other personnel. It is the **operators' responsibility** to keep other people (workers, pedestrians, bystanders, etc.) away during operation. Block off the work area in all directions with roping, safety netting, etc. for a safe distance. Failure to do so may result in others being injured by flying debris or exposing them to harmful dust and noise.
- This equipment is intended for commercial use only.
- For the operator's safety and the safety of others, always keep all guards in place during operation.
- Never let equipment run unattended.



- Personal Protection Equipment and proper safety attire must be worn when operating this machinery. The operator must wear approved safety equipment appropriate for the job such as hard hat and safety shoes when conditions require. Hearing protection **MUST** be used (operational noise levels of this equipment may exceed 85db). Eye protection **MUST** be worn at all times.



Keep body parts and loose clothing away from moving parts. Failure to do so could result in dismemberment or death.

- Do not modify the machine.
- Stop motor/engine when adjusting or servicing this equipment. Maintain a safe operating distance from flammable materials. Sparks from the cutting-action of this machine can ignite flammable materials or vapors.



DUST WARNING



Some dust created by power sanding, sawing, grinding, drilling, and other construction activities contains chemicals known to cause cancer, birth defects, or other reproductive harm. Some examples of these chemicals are:

- Lead from lead-based paints, and
 - Crystalline silica from bricks and concrete and other masonry products.
- Your risk of exposure to these chemicals varies depending on how often you do this type of work. To reduce your risk: work in a well ventilated area, use a dust control system, such as an industrial-style vacuum, and wear approved personal safety equipment, such as a dust/particle respirator designed to filter out microscopic particles.

PARTS LIST MANUAL

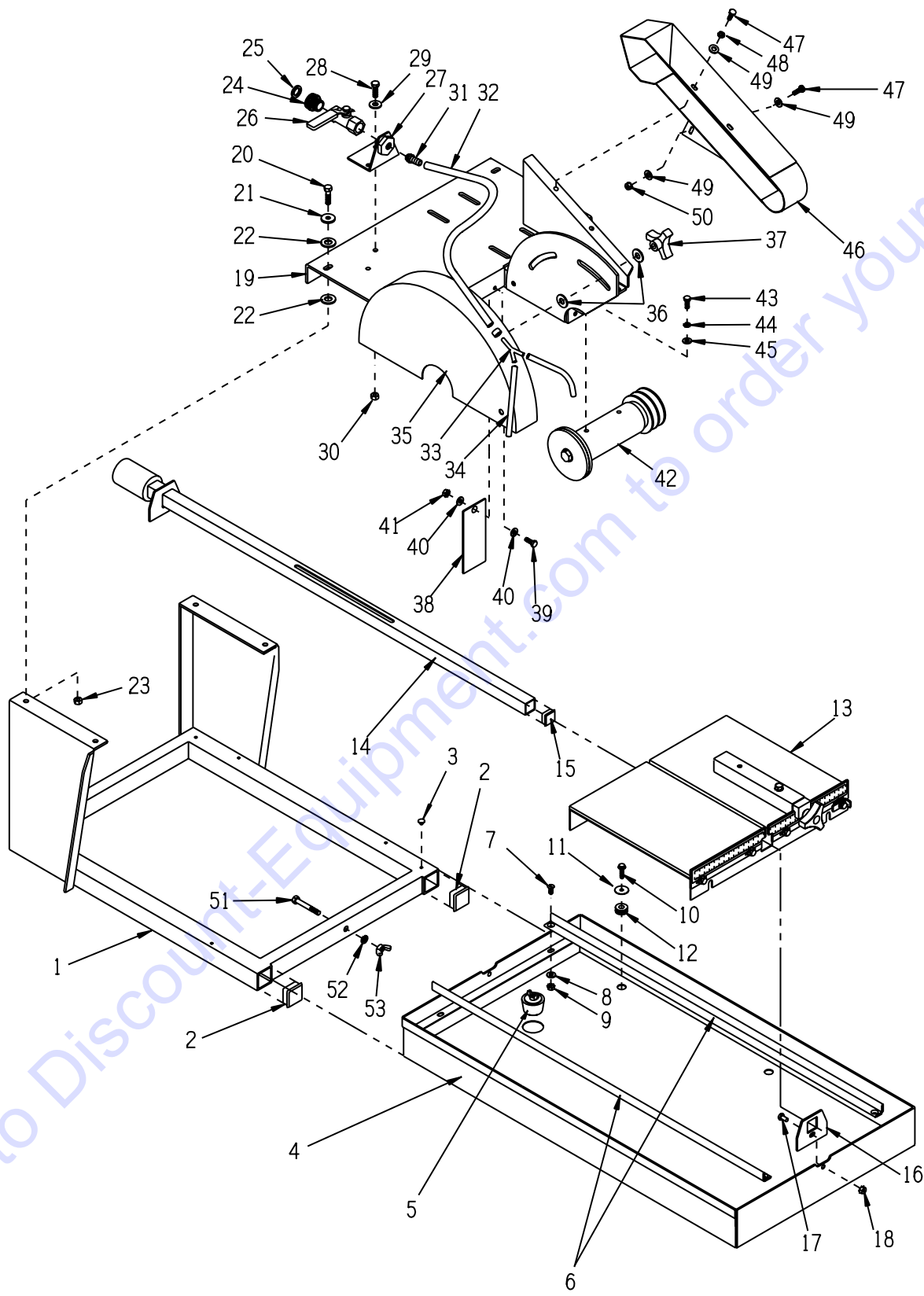
MODEL HSS14 14" HARDSCAPE SAW

<u>Section</u>	<u>Page Number</u>
Safety Messages and General Instructions	2
How To Order Replacement Parts	3
Illustration 1: Main Grouping	4,5
Illustration 2: Rolling Table Assembly	6
Illustration 3: Arbor Assembly	7
Illustration 4: Engine Grouping	8
Illustration 5: Motor Grouping	9
Illustration 6: Optional ProCart	10
Illustration 7: Optional Folding Stand	11
Illustration 8: Optional Drain Assembly	12
Illustration 9: Optional 115V Water Pump Assembly	13
Wiring Diagram for Baldor Motor	14
Notes	15
Limited Equipment Warranty of Sale	Back Page



A Division of Equipment Development Company, Inc.

ILLUSTRATION 1 : MAIN GROUPING



Go to Discount-Equipment.com to order your parts

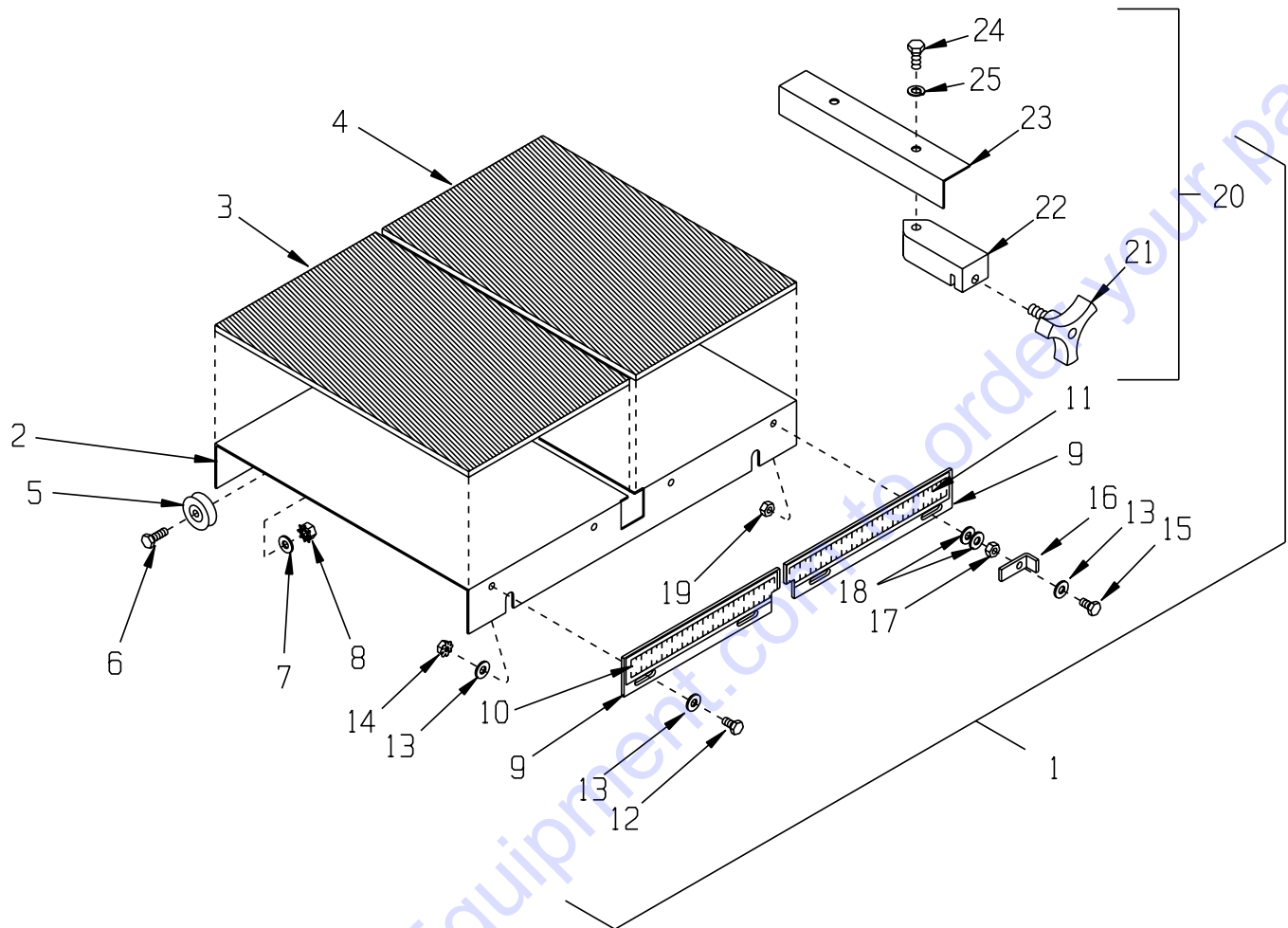
PARTS LISTING - ILLUSTRATION 1: MAIN GROUPING

ITEM #	PART #	DESCRIPTION	QTY.	ITEM #	PART #	DESCRIPTION	QTY.
1	42301	MAIN FRAME	1	27	42310	BRACKET, WATER VALVE, HSS-14	1
2	42148	PLUG, SQ. TUBE 1-1/2 X 11 GA., BLK	2	28	10053	SCREW, CAP 5/16-18 X 3/4	2
3	42127	RIVET, NYLON PUSH-IN PANEL	4	29	10213	WASHER, FLAT 5/16 SAE	2
4	42303	PAN, HSS-14	1	30	10807	NUT, LOCK 5/16-18	2
5	40378	STOPPER ASSEMBLY 1-1/2"	1	31	42312	BARB, 5/16HOSE X 1/4MPT	1
6	42304	TRACK RAIL 36-3/4"L, HSS-14	2	32	42313	HOSE 1/4"ID X 24"L, HSS-14	1
7	11540	SCREW, FLAT HD SLT 1/4-20 X 5/8	4	33	99323	BARBED FITTING, "Y" 1/4"HOSE	1
8	10602	WASHER, FLAT 1/4 SAE	4	34	42314	HOSE 1/4"ID X 6"L, HSS-14	2
9	10861	NUT, KEPS 1/4-20	4	35	42305	GUARD, BLADE 14", HSS-14	1
10	42308	SCREW, SDHW 1/4 X 1 S.S.	4	36	10025	WASHER, FLAT 3/8 SAE	4
11	42309	WASHER, FENDER 1/4 X 1"OD (S.S.)	4	37	80011	KNOB, 3-PRONG W/ 3/8-16 THD.	2
12	57148	GROMMET 3/8ID X 1/8GRV. X 5/8GD	4	38	40012	FLAP, SPLASH 2-1/2 X 7	1
13	42315	TABLE COMPLETE, ROLLING, HSS-14 (REFER TO ILLUS. 2 FOR BREAKDOWN)	1	39	10018	SCREW, CAP 1/4-20 X 3/4	1
14	42307	VACUUM PORT TUBE, HSS-14	1	40	10602	WASHER, FLAT 1/4 SAE	2
15	51078	PLUG, SQ. TUBE 1 X 14 GA., BLACK	1	41	10861	NUT, KEPS 1/4-20	1
16	42229	MOUNTING BRKT., VACUUM PORT TUBE	1	42	-----	ARBOR ASSY. W/ SHEAVE, 14" SAWS (REFER TO ILLUS. 3 FOR BREAKDOWN)	1
17	10834	SCREW, CAP 1/4-20 X 1/2	2	43	10048	SCREW, CAP 5/16-24 X 3/4	4
18	10861	NUT, KEPS 1/4-20	2	44	10801	WASHER, LOCK 5/16	4
19	42302	DECK, ENGINE & ARBOR, HSS-14	1	45	10213	WASHER, FLAT 5/16 SAE	4
20	10021	SCREW, CAP 3/8-24 X 1	4	46	42306	COVER, BELT, HSS-14	1
21	10025	WASHER, FLAT 3/8 SAE	4	47	10018	SCREW, CAP 1/4-20 X 3/4	3
22	10312	WASHER, FLAT 1/2 SAE (USED AS A SHIM WHEN REQ'D. - QTY. 2)	4	48	10038	WASHER, LOCK 1/4	2
23	10004	NUT, LOCK 3/8-24	4	49	10602	WASHER, FLAT 1/4 SAE	4
24	80021	CONN., SWIVEL FEM. 3/4HOSE X 1/2MPT (INCLUDES ITEM 25 - HOSE WASHER)	1	50	10861	NUT, KEPS 1/4-20	1
25	10070	WASHER, HOSE 3/4	1	51	10341	SCREW, CAP 5/16-18 X 2-1/4	1
26	10711	VALVE, BALL 1/2 FPT	1	52	10801	WASHER, LOCK 5/16	1
				53	10902	NUT, WING 5/16-18	1



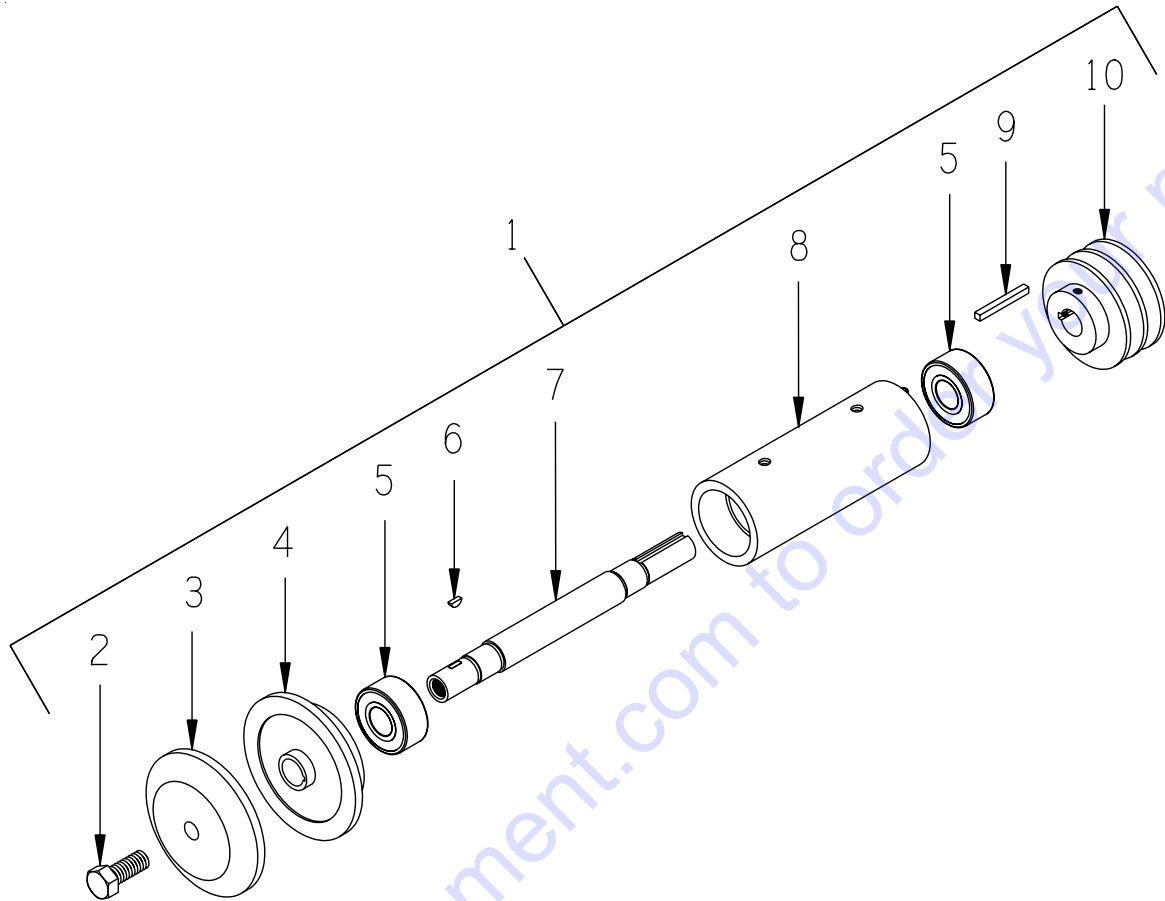
A Division of Equipment Development Company, Inc.

ILLUSTRATION 2: ROLLING TABLE ASSEMBLY



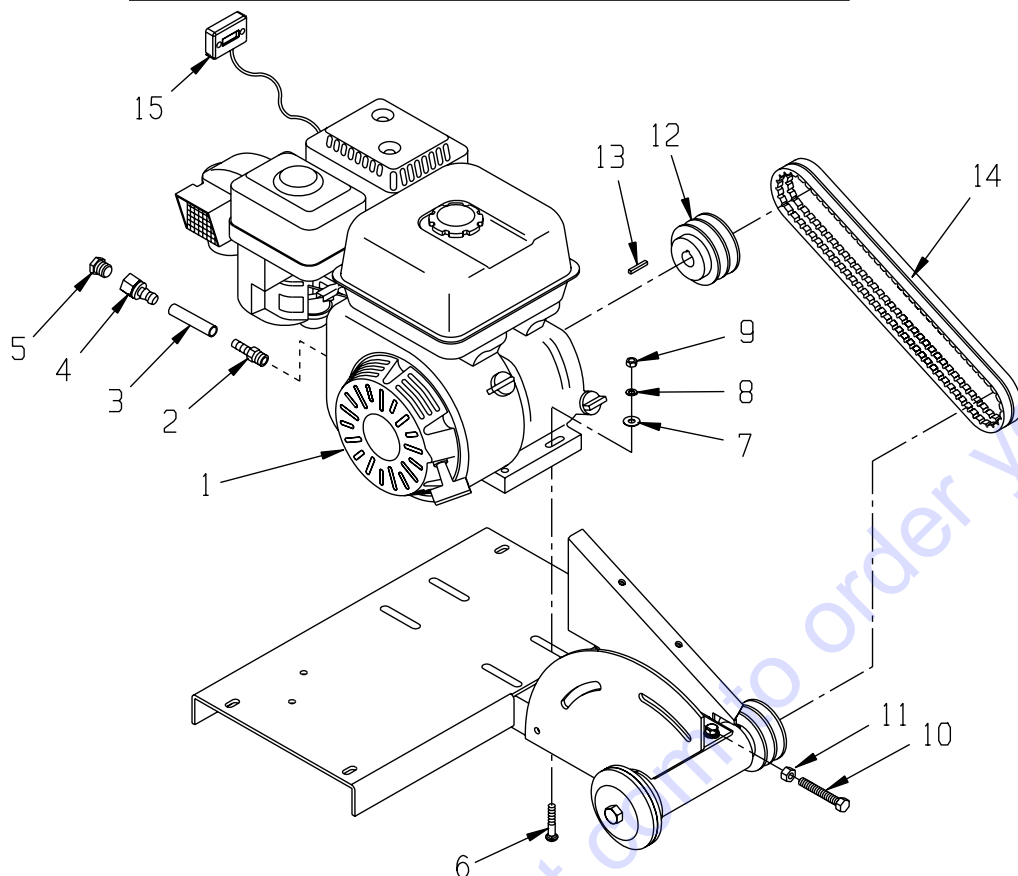
ITEM #	PART #	DESCRIPTION	QTY.	ITEM #	PART #	DESCRIPTION	QTY.
1	42315	TABLE COMPLETE, ROLLING, HSS-14 (INCLUDES ITEMS 2 THRU 25)	1	13	10602	WASHER, FLAT 1/4 SAE	7
2	42226	TABLE, ROLLING, GMS-10 & HSS-14	1	14	10861	NUT, KEPS 1/4-20	3
3	42222	RUBBER PAD 12 X 7-1/2 X 3/16	1	15	10031	SCREW, CAP 1/4-20 X 1	1
4	42221	RUBBER PAD 12 X 8 X 3/16	1	16	42106	LATCH, ROLLING TABLE	1
5	14082	PULLEY BEARING 1-1/4DIA. X 1/4BORE (A.K.A. TRACK WHEEL)	4	17	10013	NUT 1/4-20	1
6	10031	SCREW, CAP 1/4-20 X 1	4	18	11704	WASHER, FLAT .257 X .624 X .060THK	2
7	10602	WASHER, FLAT 1/4 SAE	4	19	10015	NUT, LOCK 1/4-20	1
8	10861	NUT, KEPS 1/4-20	4	20	40689A	GUIDE ASSY., CUT, UNIVERSAL (INCLUDES ITEMS 21 THRU 25)	1
9	42311	TABLE FRONT PANEL, HSS-14 (2 PCS.)	1	21	40425	KNOB, 3-PRONG W/ 3/8-16 X 5/8 STUD	1
10	40423	RULE, ADHESIVE-BACKED, 1-13, R-L	1	22	42015	BLOCK, CUT GUIDE, MASONRY SAW	1
11	40424	RULE, ADHESIVE-BACKED, 1-7, L-R	1	23	40689	BRACKET, CUT GUIDE, UNIVERSAL	1
12	10018	SCREW, CAP 1/4-20 X 3/4	3	24	10053	SCREW, CAP 5/16-18 X 3/4	1
				25	10801	WASHER, LOCK 5/16	1

ILLUSTRATION 3: ARBOR ASSEMBLY



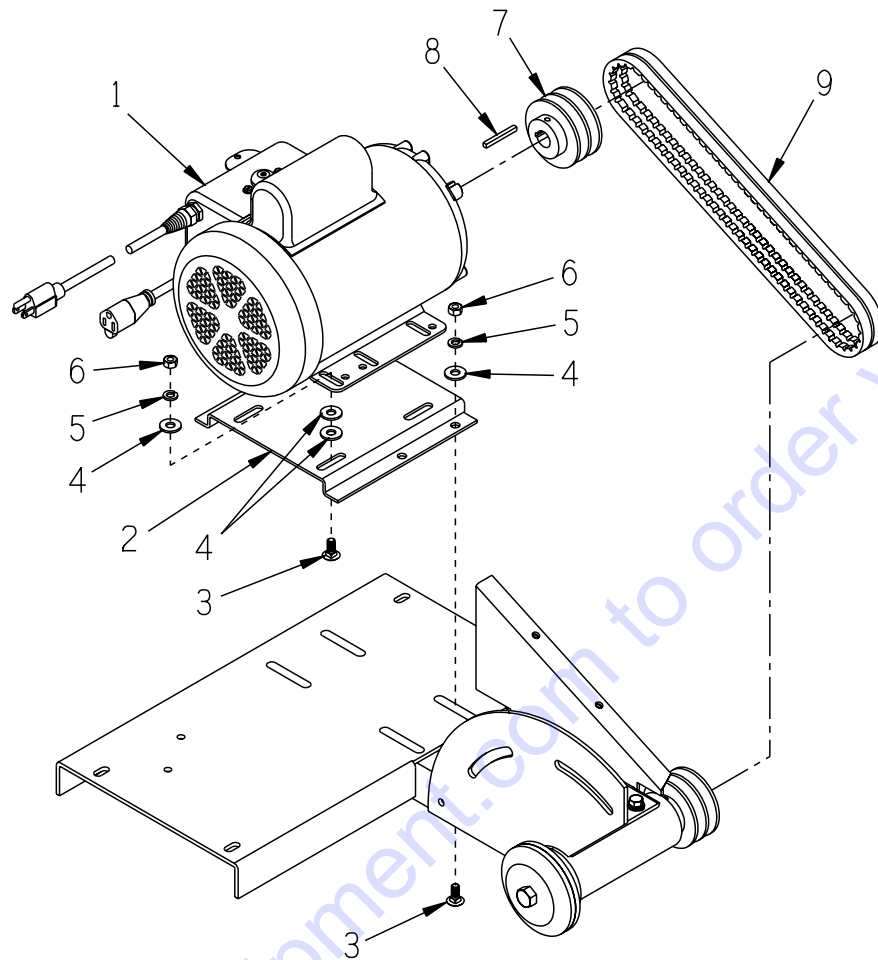
ITEM #	PART #	DESCRIPTION	QTY.
1*	40056A	ARBOR ASSY. W/ 2.75" 2GR.3V SHEAVE	1
	40056	ARBOR ASSY. W/ 3" 2GR.A SHEAVE	1
2	10321	SCREW, CAP 1/2-20 X 1-1/4	1
3	40023	ARBOR BLADE CAP 4", MASONRY SAW	1
4	40022	ARBOR BACKING PLATE 4", MASONRY SAW	1
5	40018	BEARING, RADIAL BALL 20X47X20.6MM	2
6	40036	KEY, WOODRUFF 1/8 X 3/8 (#403)	1
7	40021	ARBOR SHAFT 8-7/8"L GMS/MS/HSS-14	1
8	40020	ARBOR HOUSING, MS/GMS-14 & HSS-14	1
9	10170	KEY 3/16SQ X 1-3/4	1
10*	40694	SHEAVE 2.75"OD X 2GR.3V X 3/4"BORE	1
	40005	SHEAVE 3"OD X 2GR.A X 3/4"BORE	1
<p>*NOTE: STARTING SERIAL # 110910092 USE PART # 40056A & 40694 PRIOR TO SERIAL # 110910092 USE PART # 40056 & 40005</p>			

ILLUSTRATION 4: ENGINE GROUPING



ITEM #	PART #	DESCRIPTION	QTY.
1	40387	ENGINE, HONDA GX160U1-QXC9 CYC.A.C.	1
	15048	ENGINE, HONDA GX200U-QXC9 CYC.A.C.	1
2	11541	BARB, PUSH-ON 3/8 HOSE X10MM X 1.25	1
3	56116	HOSE, PUSH-ON 3/8"ID X 3"L	1
4	11544	BARB, PUSH-ON 3/8 HOSE X 1/4FPT	1
5	10776	PIPE PLUG 1/4 NPT (BRASS)	1
6	10918	BOLT, CARRIAGE 5/16-18 X 1-3/4 F.T.	4
7	10213	WASHER, FLAT 5/16 SAE ZINC	4
8	10801	WASHER, LOCK 5/16 ZINC	4
9	10054	NUT, HEX 5/16-18 ZINC	4
10	10410	BOLT, TAP 3/8-16 X 2-1/2 (FULL THD)	1
11	10404	NUT, HEX 3/8-16 ZINC	1
12*	40694	SHEAVE 2.75"OD X 2GR.3V X 3/4"BORE	1
	40005	SHEAVE 3"OD X 2GR.A X 3/4"BORE	1
13	----	KEY 3/16"SQ (INCLUDED / ENGINE)	1
14*	10276	BELT 3VX-355	2
	10233	BELT AX-34	2
15	15138	HOUR METER, INDUCTIVE (OPTIONAL)	1
<p>*NOTE: STARTING SERIAL # 110910092 USE PART # 40694 & 10276. PRIOR TO SERIAL # 110910092 USE PART # 40005 & 10233.</p>			

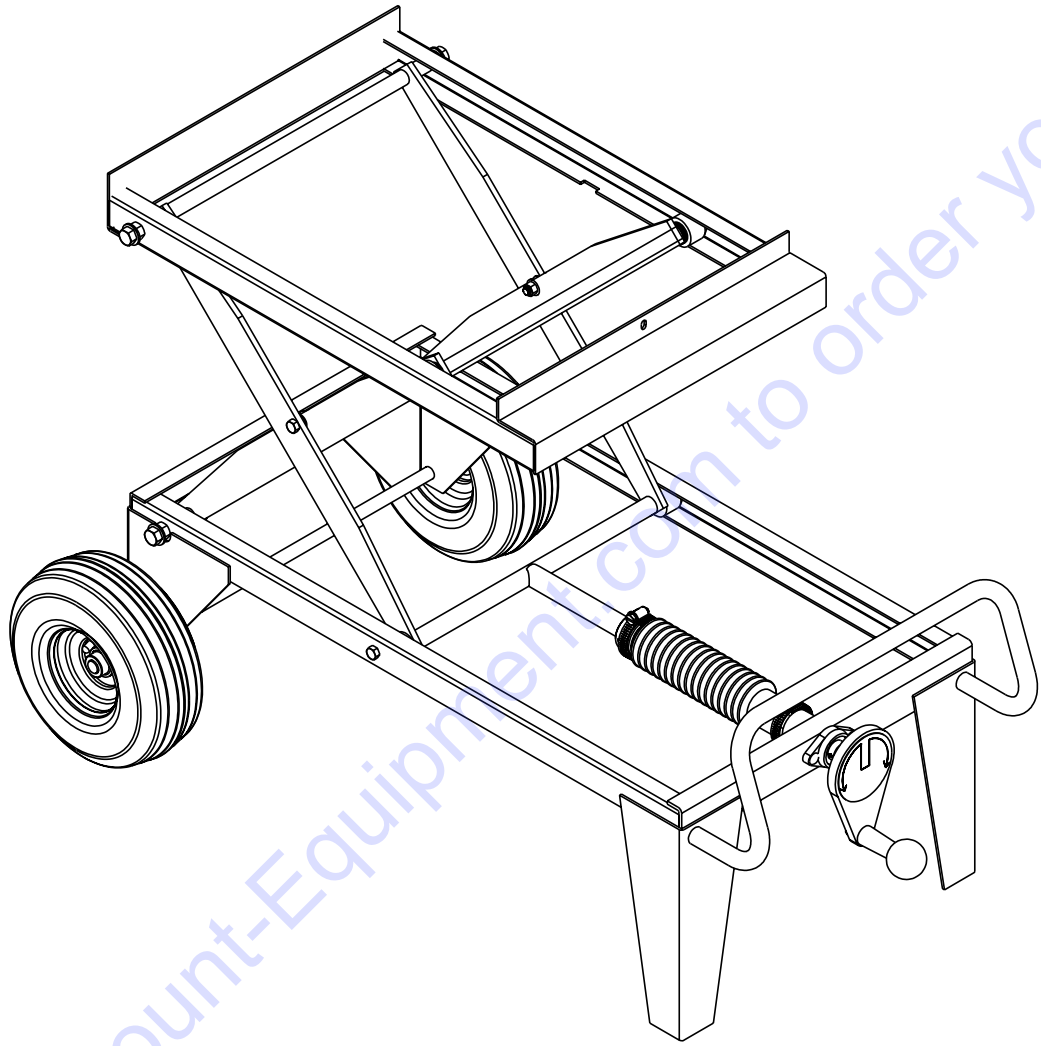
ILLUSTRATION 5: MOTOR GROUPING



ITEM #	PART #	DESCRIPTION	QTY.
1	16061	MOTOR, BALDOR 1.5HP-1P 60HZ 3450RPM 115/230V SPEC. NO. 35V801R760G1	1
<i>REPLACEMENT PARTS:</i>			
	16164	CAPACITOR, RUN, BALDOR OC3040F09SP	
	16163	RESET BUTTON, BALDOR TPCRT40CA	
	40051	CAPACITOR, START, BALDOR EC1645A06SP	
	16510	SWITCH, TOGGLE DPST 20A SPAD	
2	42237	MOUNT BRKT., MOTOR	1
3	10819	BOLT, CARRIAGE 5/16-18 X 1 FULL THD	8
4	10213	WASHER, FLAT 5/16 SAE	16
5	10801	WASHER, LOCK 5/16	8
6	10054	NUT 5/16-18	8
7	40005	SHEAVE 3"OD X 2 GR.A X 3/4"BORE	1
8	10060	KEY 3/16 SQ X 1-1/4	1
9	10283	BELT AX-35	2

ILLUSTRATION 6: OPTIONAL PROCART

PART# 24750



ADJUSTABLE SCISSOR STYLE CART

REFER TO THE PROCART PARTS LIST MANUAL
FOR THE PARTS BREAKDOWN INFORMATION

ILLUSTRATION 7: OPTIONAL FOLDING STAND

PART# 24150

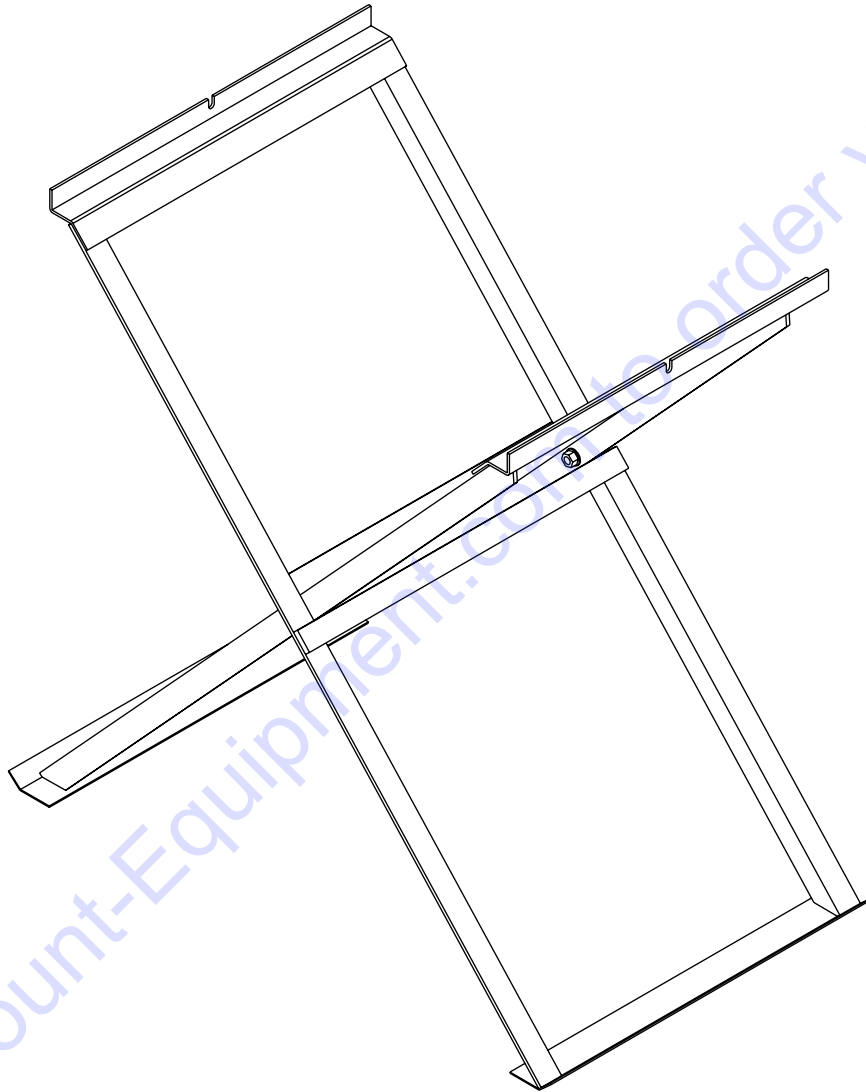
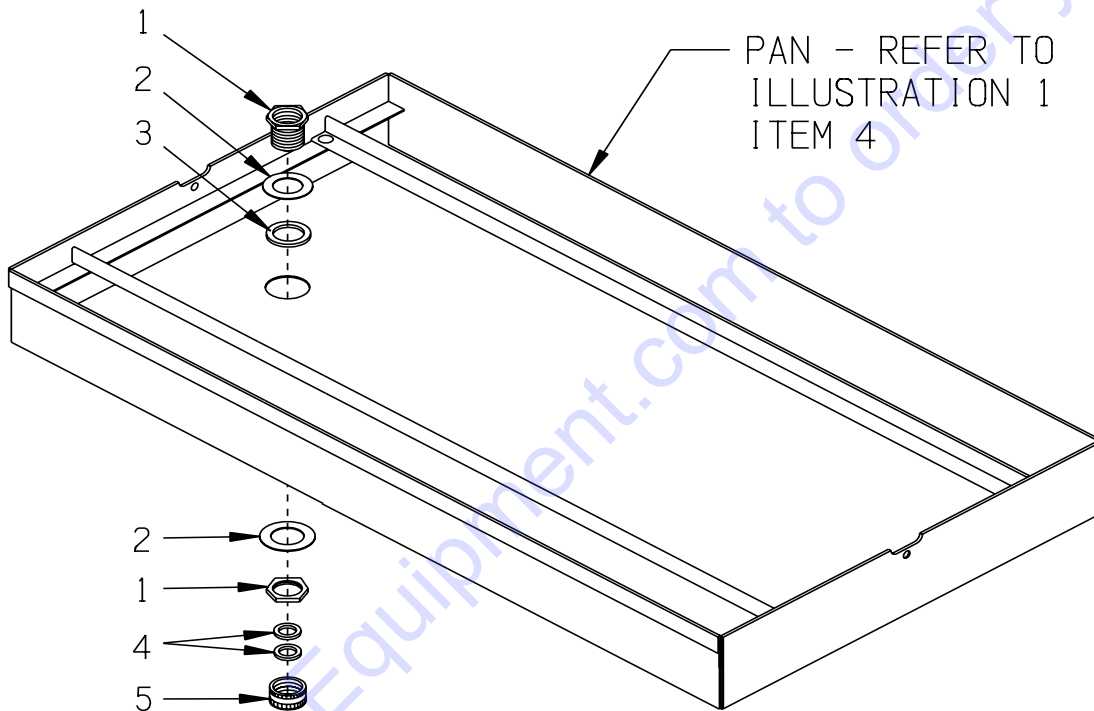


ILLUSTRATION 8: OPTIONAL DRAIN ASSEMBLY

PART# 42250

INCLUDES ITEMS SHOWN BELOW

USE IN PLACE OF DRAIN PLUG
(ILLUSTRATION 1 - ITEM 5)



ITEM #	PART #	DESCRIPTION	QTY.
1	42251	FITTING, DRAIN 3/4NH X 1/2FPT (BRASS) (INCLUDES THIN JAM NUT)	1
2	10444	WASHER, ALUM. 1.885ODX1.060IDX .040	2
3	42252	WASHER, RUBBER 1-1/16IDX1-1/2ODX1/8	1
4	10070	WASHER, HOSE 3/4	2
5	42253	CAP, HOSE END (BRASS)	1

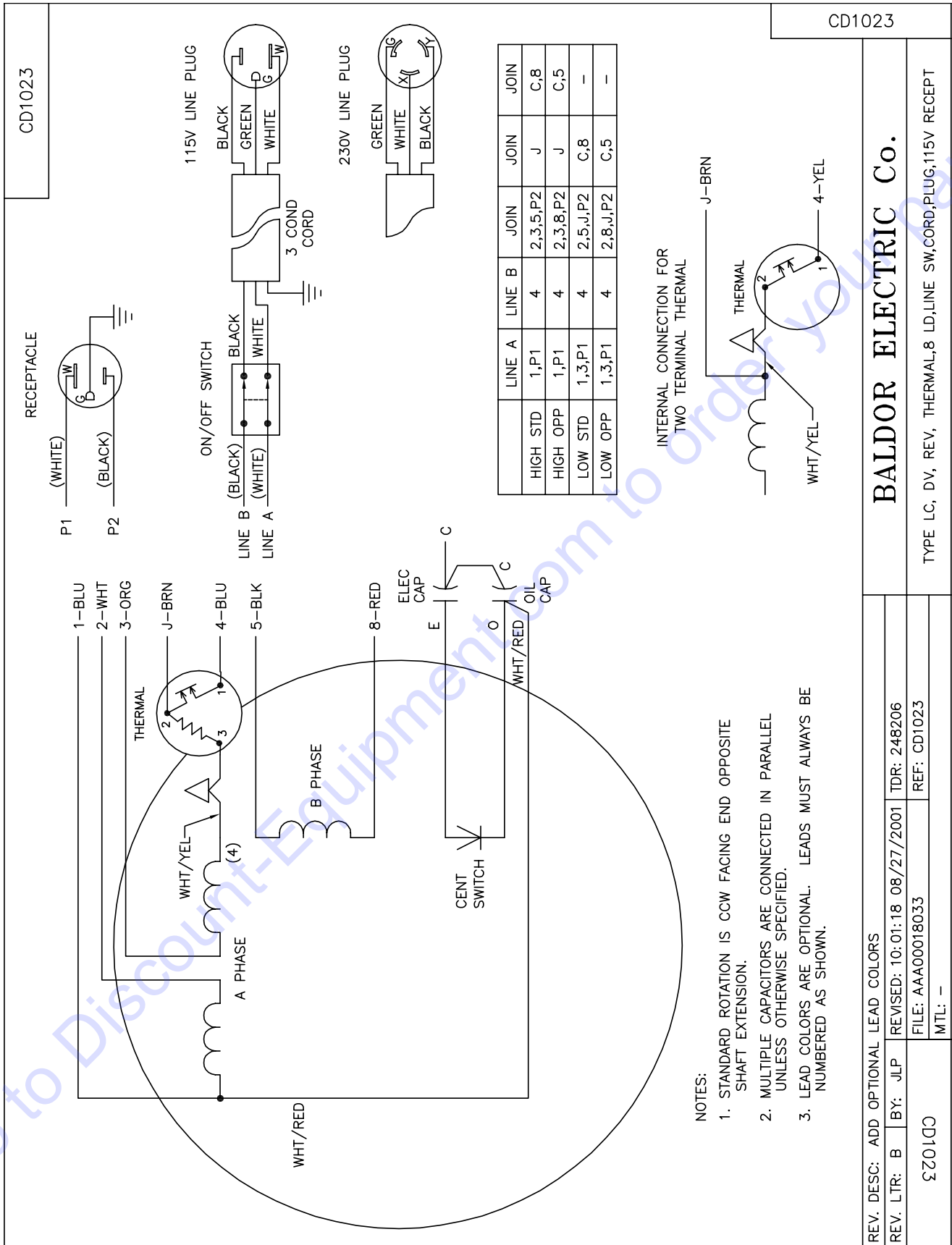
ILLUSTRATION 9: OPTIONAL 115V WATER PUMP KIT**PART# 42320****ELECTRIC MODEL ONLY**

Connect the white plastic adapter fitting to the garden hose fitting that's connected to the ball valve located on the motor deck. Submerge the pump in water. Note: The pump will not work in the pan because it interferes with the rolling table. It will have to be used from a bucket, barrel or a external pan filled with water. Then connect the male plug to the female connector that is on the motor. The pump will now turn on with the motor when it is turned on.

**KIT INCLUDES:**

115 VAC SUBMERSIBLE PUMP P/N 42130
 BRASS HOSE BARB 1/4HOSE X 1/4FPT P/N 40415
 6FT. PVC TUBING 1/4"ID P/N 11532
 ADAPTER FITTING, MALE GHT X 1/4BARB . . . P/N 42321

WIRING DIAGRAM FOR BALDOR MOTOR - 35V801R760G1 1.5HP 1-PHASE 60HZ



NOTES:

1. STANDARD ROTATION IS CCW FACING END OPPOSITE SHAFT EXTENSION.
2. MULTIPLE CAPACITORS ARE CONNECTED IN PARALLEL UNLESS OTHERWISE SPECIFIED.
3. LEAD COLORS ARE OPTIONAL. LEADS MUST ALWAYS BE NUMBERED AS SHOWN.

REV. DESC: ADD OPTIONAL LEAD COLORS		CD1023	
REV. LTR: B	BY: JLP	REVISED: 10:01:18 08/27/2001	TDR: 248206
CD1023		FILE: AAA00018033	REF: CD1023
MPL: -		BALDOR ELECTRIC Co.	
TYPE LC, DV, REV, THERMAL, 8 LD, LINE SW, CORD, PLUG, 115V RECEPT			

PARTS FINDER

**Search Website
by Part Number**



**Search Manual
Library For Parts
Manual & Lookup Part
Numbers – Purchase
or Request Quote**

Search Manuals

Enter your information to help us find the right parts manual for your machine.

* Brand:

* Model:

* Serial:

* Part Number:

SEARCH

**Can't Find Part or
Manual? Request Help
by Manufacturer,
Model & Description**

Parts Order Form

Please fill in the following information to help us find the right part for your machine.

Manufacturer:	<input type="text"/>
Model:	<input type="text"/>
Description:	<input type="text"/>
Part Number:	<input type="text"/>
Quantity:	<input type="text"/>
Notes:	<input type="text"/>

Discount-Equipment.com is your online resource for quality parts & equipment.

Florida: **561-964-4949** Outside Florida TOLL FREE: **877-690-3101**

Need parts?

Click on this link: <http://www.discount-equipment.com/category/5443-parts/> and choose one of the options to help get the right parts and equipment you are looking for. Please have the machine model and serial number available in order to help us get you the correct parts. If you don't find the part on the website or on one of the online manuals, please fill out the request form and one of our experienced staff members will get back to you with a quote for the right part that your machine needs.

We sell worldwide for the brands: Genie, Terex, JLG, MultiQuip, Mikasa, Essick, Whiteman, Mayco, Toro Stone, Diamond Products, Generac Magnum, Airman, Haulotte, Barreto, Power Blanket, Nifty Lift, Atlas Copco, Chicago Pneumatic, Allmand, Miller Curber, Skyjack, Lull, Skytrak, Tsurumi, Husquvarna Target, Stow, Wacker, Sakai, Mi-T-M, Sullair, Basic, Dynapac, MBW, Weber, Bartell, Bennar Newman, Haulotte, Ditch Runner, Menegotti, Morrison, Contec, Buddy, Crown, Edco, Wyco, Bomag, Laymor, EZ Trench, Bil-Jax, F.S. Curtis, Gehl Pavers, Heli, Honda, ICS/PowerGrit, IHI, Partner, Imer, Clipper, MMD, Koshin, Rice, CH&E, General Equipment, Amida, Coleman, NAC, Gradall, Square Shooter, Kent, Stanley, Tamco, Toku, Hatz, Kohler, Robin, Wisconsin, Northrock, Oztec, Toker TK, Rol-Air, APT, Wylie, Ingersoll Rand / Doosan, Innovatech, Con X, Ammann, Mecalac, Makinex, Smith Surface Prep, Small Line, Wanco, Yanmar