



LGMG North America Inc.

## Operation and Safety Manual

---

---

**SR3369D/SR4069D/SR3390D/SR4390D/  
SR5390D**

**Mobile Elevating Work Platform  
ANSI**



### **WARNING**

Before operation and maintenance, the drivers and service personnel shall always read and thoroughly understand all information in this manual. Failure to do so may result in, fatal accidents or personal injury.

This manual must be kept with this machine at all times.



[www.Discount-Equipment.com](http://www.Discount-Equipment.com)

**TO PURCHASE THIS PRODUCT PLEASE CONTACT US**



**Equipment Financing and  
Extended Warranties Available**



**Discount-Equipment.com is your online resource for  
commercial and industrial quality parts and equipment sales.**

**561-964-4949**

**visit us on line @ [www.discount-equipment.com](http://www.discount-equipment.com)**

Select an option below to find your Equipment

**Search by Manufacturer**

**Search by Product Type**

**Request a Quote**

We sell worldwide for the brands: Genie, Terex, JLG, MultiQuip, Mikasa, Essick, Whiteman, Mayco, Toro Stone, Diamond Products, Generac Magnum, Airman, Haulotte, Barreto, Power Blanket, Nifty Lift, Atlas Copco, Chicago Pneumatic, Allmand, Miller Curber, Skyjack, Lull, Skytrak, Tsurumi, Husquvarna Target, Stow, Wacker, Sakai, Mi-T-M, Sullair, Basic, Dynapac, MBW, Weber, Bartell, Bennar Newman, Haulotte, Ditch Runner, Menegotti, Morrison, Contec, Buddy, Crown, Edco, Wyco, Bomag, Laymor, EZ Trench, Bil-Jax, F.S. Curtis, Gehl Pavers, Heli, Honda, ICS/PowerGrit, IHI, Partner, Imer, Clipper, MMD, Koshin, Rice, CH&E, General Equipment, Amida, Coleman, NAC, Gradall, Square Shooter, Kent, Stanley, Tamco, Toku, Hatz, Kohler, Robin, Wisconsin, Northrock, Oztec, Toker TK, Rol-Air, APT, Wylie, Ingersoll Rand / Doosan, Innovatech, Con X, Ammann, Mecalac, Makinex, Smith Surface Prep, Small Line, Wanco, Yanmar

# Contents

Contents.....	i
Chapter 1 Safety .....	1
1.1 Danger.....	3
1.2 No Operation Except Following Cases .....	3
1.3 Classification of Hazards .....	3
1.4 Intended purpose.....	3
1.5 Safety Sign Maintenance.....	3
1.6 Risk of Electric Shock .....	4
1.7 Safety of Work Area .....	4
1.8 Crushing Hazards .....	5
1.9 Hazards When Operating on a Slope .....	5
1.10 Falling Hazards.....	6
1.11 Crash Hazards .....	6
1.12 Hazard of Component Damage .....	7
1.13 Hazard of Explosion and Fire.....	7
1.14 Machine Damage Hazards .....	7
1.15 Personal Injury Hazards.....	7
1.16 Battery Safety .....	7
1.17 Tilting Hazard.....	7
Chapter 2 Machine Nomenclature .....	9
Chapter 3 Decals and Warning Labels .....	13
Chapter 4 Specifications .....	23
Chapter 5 Control Station .....	35
5.1 Ground Control Station .....	37
5.2 Platform Control Station.....	41
5.3 Basic Operation .....	43
Chapter 6 Pre-Operation Check.....	53
6.1 No Operation Except Following Cases .....	55
6.2 Basic Principles .....	55
6.3 Check Before Operation .....	55
Chapter 7 Workplace Check.....	57
7.1 No Operation Is Allowed Unless.....	59
7.2 Basic Principles .....	59
7.3 Workplace Inspection.....	59
Chapter 8 Functional Test .....	61
8.1 No Operation Is Allowed Unless.....	63
8.2 Basic Principles .....	63
8.3 Functional Test.....	63
8.4 Test on the Ground Control Station.....	63
8.5 Platform Control Station Test .....	64
8.6 Tilt Sensor Operation Test.....	65
8.7 Upper Limit Switch and Outriggers (If Equipped) Test.....	65

Chapter 9 Operation Instructions.....	67
9.1 No Operation is Allowed Unless.....	69
9.2 Basic Principles .....	69
9.3 Emergency Stop .....	69
9.4 Engine startup .....	69
9.5 Operation from Ground.....	70
9.6 Operation from Platform.....	70
9.7 Drive on Slope .....	70
9.8 Platform Extension and Retraction.....	71
9.9 Emergency Descent .....	71
9.10 Using Platform Control Station to Operate on the Ground .....	71
9.11 Outrigger Operation .....	71
9.12 Safety Arm Use.....	72
9.13 Auxiliary Descent (If equipped).....	72
9.14 Fall Protection.....	72
9.15 After Each Use.....	72
Chapter 10 Transportation and Lifting Instructions.....	73
10.1 Compliance.....	75
10.2 Freewheel configuration for trailers.....	75
10.3 Securing on Trucks or Trailers During Transportation .....	75
10.4 Ensuring Transportation Safety.....	75
10.5 Lifting guidance.....	76

To order go to [Discount-Equipment.com](http://Discount-Equipment.com)

## Foreword

Thank you for choosing to use this Mobile Elevating Work Platform from LGMG North America. This machine is designed according to A92.20-2018. The information specified in this manual is intended for the safe and proper operation of this machine for its' intended purpose.

For maximum performance and utilization of this machine, thoroughly read and understand all the information in this manual before starting, operating, or performing maintenance on this machine.

Due to continuous product improvements, LGMG North America reserves the right to make specification changes without any prior notifications. For any updated information, contact LGMG North America.

Ensure all preventive maintenance to the machine is performed according to the interval specified in the maintenance schedule.

Keep this manual with this machine for reference at all times. When the ownership of this machine is transferred, this manual shall be transferred with this machine. This manual must be replaced immediately if it is lost, damaged, or becomes illegible.

This manual is copyrighted material. The reproduction or copy of this manual is not allowed without the written approval of LGMG North America.

The information, technical specifications and drawings in this manual are the latest available when this manual is issued. Due to continuous improvement, LGMG North America reserves the right to change the technical specifications and machine design without notice. If any specifications and information in the manual are not consistent with your machine, please contact the service department of LGMG North America.

### **WARNING**

**Only personnel who have been properly trained and qualified to operate or maintain this machine can operate, repair and maintain this machine.**

**Improper operation, maintenance, and repair are dangerous and can cause personal injury and death.**

**Before any operation or maintenance, the operator shall thoroughly read this manual. Do not operate, perform any maintenance or make any repairs on this machine before reading and understanding this manual.**

**The user shall load the platform strictly according to the load rating of the platform. Do not overload the platform or make any modifications to the platform without permission from LGMG North America.**

**The operation regulations and preventions in this manual are only applicable for the specified use of this machine.**

## Safety Precautions

The operator of this machine shall understand and follow the existing safety regulations of state and local governments. If these are unavailable, the safety instructions in this manual shall be followed.

To help prevent accidents, read and understand all warnings and precautions in this manual before operation or performing maintenance.

The safety measures are specified in Chapter 1 Safety.

It is impossible to foresee every possible hazard and the safety instructions in this manual may not cover all safety prevention measures. Always ensure the safety of all personnel and protect the machine against any damage. If unable to confirm the safety of some operations, contact LGMG North America.

The operation & maintenance prevention measures listed in this manual are only applicable to the specified uses of this machine. LGMG North America assumes no responsibility if this machine is used beyond the range of this manual. The user and the operator shall be responsible for the safety of such operations.

Do not perform any operation forbidden in this manual in any situation.

The following signal words are applicable for identifying the level of safety information in this manual.

 **Danger:**

**An imminent situation, that if not avoided, will result in severe injuries or death. This is also applicable to situations that will cause serious machine damage, if not avoided.**

 **Warning:**

**A potentially dangerous situation, that if not avoided, may result in severe injuries or death. This is also applicable to situations that may cause serious machine damage, if not avoided.**

 **Notice:**

**A situation, that if not avoided, may result in minor or intermediate injury. This is also applicable to situations that may cause machine damage or shorten machine service life.**

## Chapter 1 Safety

To order go to [Discount-Equipment.com](http://Discount-Equipment.com)

### 1.1 Danger

Failure to disobey the instructions and safety rules in this manual may cause death or serious injuries.



**Red: Signifies dangerous situations. If not avoided, will result in personal death or severe injury.**

### 1.2 No Operation Except Following Cases

You have understood and practiced the rules for safe operation of the vehicle in this manual.

- 1) Avoid dangerous situations. Know and understand the safety rules before proceeding with the next step.
- 2) Always perform a pre-operation inspection.
- 3) Always perform a pre-use functional test.
- 4) Check the workplace.
- 5) Use the vehicle only for its intended purpose.
- 6) Read, understand, and follow the manufacturer's instructions and safety rules - safe operation manuals and vehicle labels.
- 7) Read, understand and follow user safety rules and work site regulations.
- 8) Read, understand and follow all applicable government laws and regulations.
- 9) You have received the training on safe operation of the vehicle.



**Orange: Signifies dangerous situations. If not avoided, may result in personal death or severe injury.**



**Yellow: Signifies dangerous situations. If not avoided, may result in minor or intermediate personal injury.**



**Blue: Signifies dangerous situations. If not avoided, property loss or damage can occur.**

### 1.3 Classification of Hazards



#### Classification of hazards


The meanings of symbols, color codes and characters of LGMG North America's products are as follows:

**Security warning symbol: are used for warning of potential personal injuries.**

**Observe all safety instructions below these signs, to avoid situations causing potential personal injury and death.**

### 1.4 Intended purpose

The use of the machine is only limited to lift staff, tools and materials to the high work place.

 **Caution: It is forbidden to carry loads.**

### 1.5 Safety Sign Maintenance

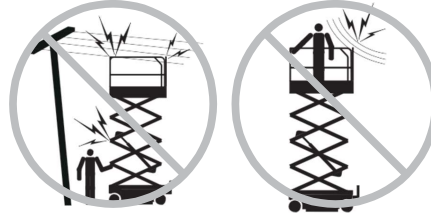
- 1) The operators should always keep in mind their safety when replacing any missing or damaged safety signs.
- 2) The safety decal should be cleaned with mild soap and water.



- 3) Do not use solvent-based cleaners as they may damage the material of the safety label.

### 1.6 Risk of Electric Shock

- 1) This machine is not insulated and is not provided with electrical shock protection when it comes into contact with or near electrical wire.



- 2) This machine should be kept an adequate safety distance from power line and electrical equipment according to applicable government laws and regulations and the following table.

Voltage	Required safety distance
0V-50 KV	3.05m/10ft
50 KV-200 KV	4.60m/15ft
200 KV-350 KV	6.10m/20ft
350 KV-500 KV	7.62m/25ft
500 KV-750 KV	10.67m/35ft
750 KV-1,000 KV	13.72m/45ft

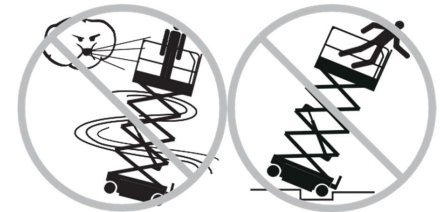
- 3) The effects of strong winds or gusts on the movement of the platform, the swinging and slackening of the wires should be considered.
- 4) If the machine comes into contact with live wires, keep away from the vehicle. No one is allowed to touch or operate the vehicle on the ground or platform before cutting off the power supply.
- 5) Do not operate the machine when there is lightning or storms.
- 6) Do not use the machine as a ground wire during welding.

### 1.7 Safety of Work Area

- 1) The platform can only be raised on a solid and flat level ground.



- 2) The speed shall not exceed 1.1 km/h /0.628mph when the platform is raised.
- 3) The tilt alarm cannot be regarded as level indicator. When the machine is seriously inclined, the tilt alarm of the chassis and platform will ring.
- 4) If tilt alarm sounds, lower the platform and move the machine to solid level ground. If the tilt alarm rings when the platform is raised, the platform shall be lowered very carefully.
- 5) Do not operate the machine in strong winds or gusts. The surface area of the platform or load cannot be increased. Increasing the area exposed to the wind will reduce the stability of the machine.
- 6) If the machine is used outdoors, do not elevate the platform when wind speed is above 12.5 m/s. If wind speed exceeds the limit after elevating the platform, immediately lower the platform and stop all machine operation.

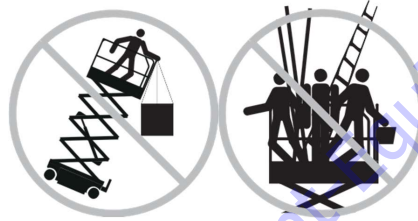


- 7) In the elevated state of the platform, the machine cannot run on uneven terrain, an unstable surface, or in other dangerous situations, or near these areas.
- 8) In the stowed state, the machine must run very carefully and reduce its speed when it

- runs on uneven terrain, unstable or smooth surface with stones, or near holes, or a steep slope.
- 9) Do not use the platform control station to release the platform when the platform is tilted, stuck, or its normal operation is obstructed by other nearby obstacles. Before using the ground control station to release the platform, all personnel must exit the platform.
  - 10) Do not use the platform to push or pull anything outside the platform.



- 11) Do not use the machine as a crane.
- 12) Do not place, fasten and fix or suspend loads on any component of the machine.



- 13) Do not place ladders or scaffolds within the platform or against any component of the machine.
- 14) Do not attach platforms to adjacent buildings.
- 15) Do not change or disable limit switch.
- 16) Do not tie platforms to adjacent components.
- 17) Do not place loads outside the platform guardrail.
- 18) Do not change or damage any component that may affect the safety and stability of the machine.
- 19) Do not replace key parts that affect machine stability with parts of different weights or specifications.

- 20) Do not change or modify the aerial work platform or install additional equipment for placing tools or other materials on platforms, pedals or guardrails, which will increase platform weight and surface area or load.
- 21) Do not push machines or other objects with the platform.
- 22) Tools and materials, evenly distributed and able to be safely moved by the operator in the platform, can be carried in the platform only.
- 23) Do not use the machine on a movable surface or vehicle.
- 24) Keep all tires in good condition and appropriately tighten the lug nuts.
- 25) Ambient temperature for machine operation is -20°C-40°C.
- 26) The allowable fluctuation of machine power supply voltage is  $\pm 10\%$ .

### 1.8 Crushing Hazards

- 1) Do not place arms, hands, or fingers in any position where there is a hazard of potential crushing by the machine's scissors.
- 2) Do not place your hands in a position where you may get pinched when folding the guardrail.
- 3) Grasp the platform guardrail all the time when removing the pins fixed on the guardrail. Do not let the platform guard rail fall off.
- 4) When the machine is being driven from the ground using the controller, use good judgment and carefully plan the travel path. Keep a safe distance between the operator, machine and any fixed objects, walls, or buildings.

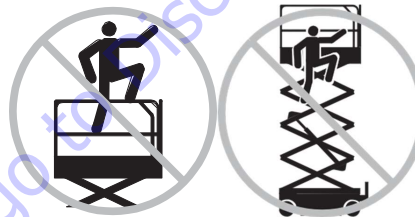
### 1.9 Hazards When Operating on a Slope

Do not drive the machine on a slope that exceeds the slope and side slope rating of the machine. The rated value of slope is applicable to a stowed machine.

Model Item	SR3369D	SR4069D	-
Maximum allowable angle of operation (front and rear)	3°	3°	-
Maximum allowable angle of operation (left and right)	2°	2°	-
Model Item	SR3390D	SR4390D	SR5390D
Maximum allowable angle of operation (front and rear)	3°	3°	3°
Maximum allowable angle of operation (left and right)	2°	2°	2°

### 1.10 Falling Hazards

- 1) All workers in the platform must use approved safety harnesses and attach the lanyard to the provided anchor points in the platform. Each anchor point is limited to one lanyard.



- 2) Do not climb on or sit on the guard rail of the platform. Firmly stand on the platform floor at all times.
- 3) Do not climb down the platform scissors when the machine is elevated.
- 4) Keep the platform floor free from debris.

- 5) Shut the platform door before operation.
- 6) Do not operate the machine if the guard rail is not correctly installed.
- 7) Do not enter or exit the platform unless the machine is in the stowed position.

### 1.11 Crash Hazards

- 1) Pay attention to any items or obstacles within the machine's sight line and in any blind spots when starting or running the machine.
- 2) Pay attention to the position of the extending platform when moving the machine.
- 3) Check the workstation to avoid any overhead barriers or other possible hazards in the work site.
- 4) Pay attention to any crushing hazards when holding the guard rail of the platform.
- 5) The operator must follow the manufacturer's service rules for personal protection equipment, the service rules for the workstation, and the laws and regulations made by the local government.
- 6) Observe and follow the traveling arrow and the turning direction arrows on the platform controller and the platform's label and nameplate.
- 7) Do not operate the machine on the line of any crane or movable overhead machine, unless the crane controller is locked and/or the potential bump prevention measure is taken.
- 8) Dangerous driving or careless operation when running the machine are strictly prohibited.
- 9) The platform can be lowered only when there are no personnel or barriers below the platform.



- 10) Limit travel speed according to ground conditions, traffic, road grade, personnel position, or any other possible bump factors.
- 11) It is recommended the operator wear a qualified safety helmet when operating the machine.

## 1.12 Hazard of Component

### Damage

- 1) Do not use any battery or charger greater than 12 V to start up the engine.
- 2) Do not use the machine as a ground for welding.
- 3) Do not use the machine in a place where there may be a magnetic field.

## 1.13 Hazard of Explosion and

### Fire

- 1) Do not use the machine in a hazardous place where there may be inflammable or explosive gas or particles.
- 2) Do not start the engine if liquefied petroleum gas (LPG), gasoline, diesel or other explosive substances are smelled or perceived.
- 3) Do not refuel the machine when the engine is running.
- 4) Refuel the machine or charge the battery only in open and well-ventilated places far away from sparks, open flames, burning cigarettes, etc.

## 1.14 Machine Damage

### Hazards

- 1) Do not use a damaged or malfunctioning machine.
- 2) Make a complete operational and function check before each shift. Attach a tag on a damaged or malfunctioning machine immediately and stop all operation.
- 3) Be sure to perform all maintenance and operation according to the instructions in this manual.

- 4) Be sure to keep all labels and decals at the appropriate locations. Replace any that are not legible.
- 5) Be sure to keep this manual in the manual box of the platform.

## 1.15 Personal Injury Hazards

- 1) Do not operate the machine if it is leaking hydraulic oil. Leaking hydraulic oil under pressure can pierce or burn skin.
- 2) Always operate the machine in a well-ventilated place to avoid poisoning of carbon monoxide.
- 3) Severe injury may result if any component below the cover is touched by mistake. Only trained technicians can perform maintenance to the components under the cover. The operator shall only perform maintenance before the pre-operation inspection. Be sure to keep all compartments closed and locked during operation of the machine.

## 1.16 Battery Safety

### Combustion Hazards

- 1) The battery contains acid. Wear protective clothing and safety goggles when performing maintenance on the battery.
- 2) Take measures to prevent acid from overflowing out of the battery or being touched. Neutralize the overflowed acid material from the battery with soda and water.

### Explosion Hazard

- 1) Keep the battery away from any sparks or open flames. The battery can release an explosive gas.
- 2) Do not touch the battery terminal or the cables with any tool that may cause a spark.

### Electric Shock/Burn Hazard

Avoid contacting electrical terminals.

## 1.17 Tilting Hazard

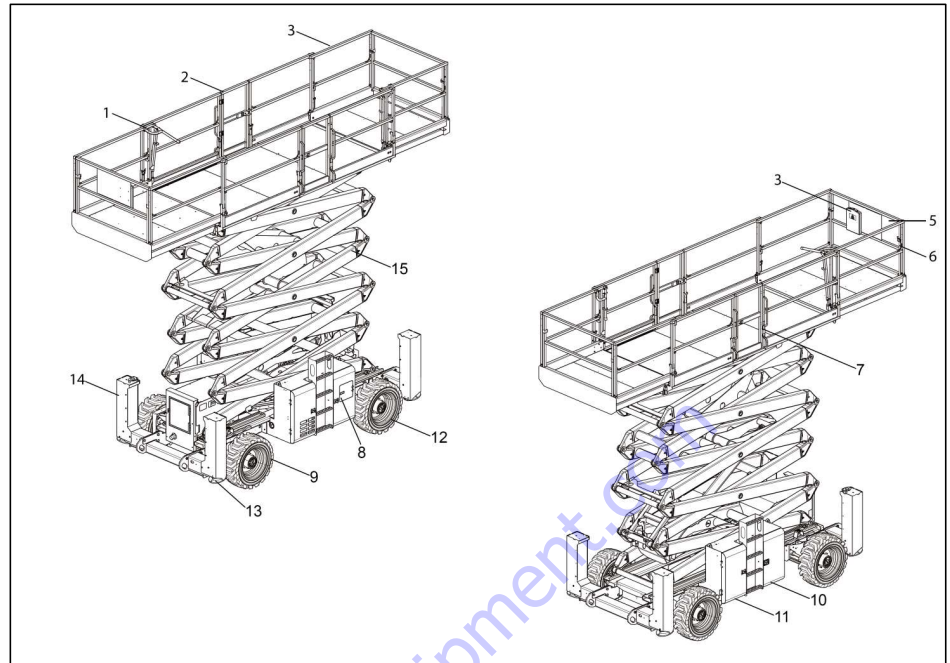
- 1) The outrigger can only be lowered on the firm, stable ground. Be careful to avoid

- steep slopes, holes, unstable or smooth slopes and other potential hazards.
- 2) Be sure to lower the outrigger at the steering end first, when the automatic leveling function is not used and a single outrigger is lowered.
  - 3) Raise the platform only when the machine is level. Do not set the machine to be elevated when it is impossible to make the machine level by outrigger only.
  - 4) Raise the platform only when all four outriggers are fully lowered and in contact with the ground and the machine is level.
  - 5) Do not adjust outriggers when the platform is elevated. Do not drive the vehicle when outriggers are lowered.

To order go to [Discount-Equipment.com](http://Discount-Equipment.com)

## Chapter 2 Machine Nomenclature

To order go to [Discount-Equipment.com](http://Discount-Equipment.com)



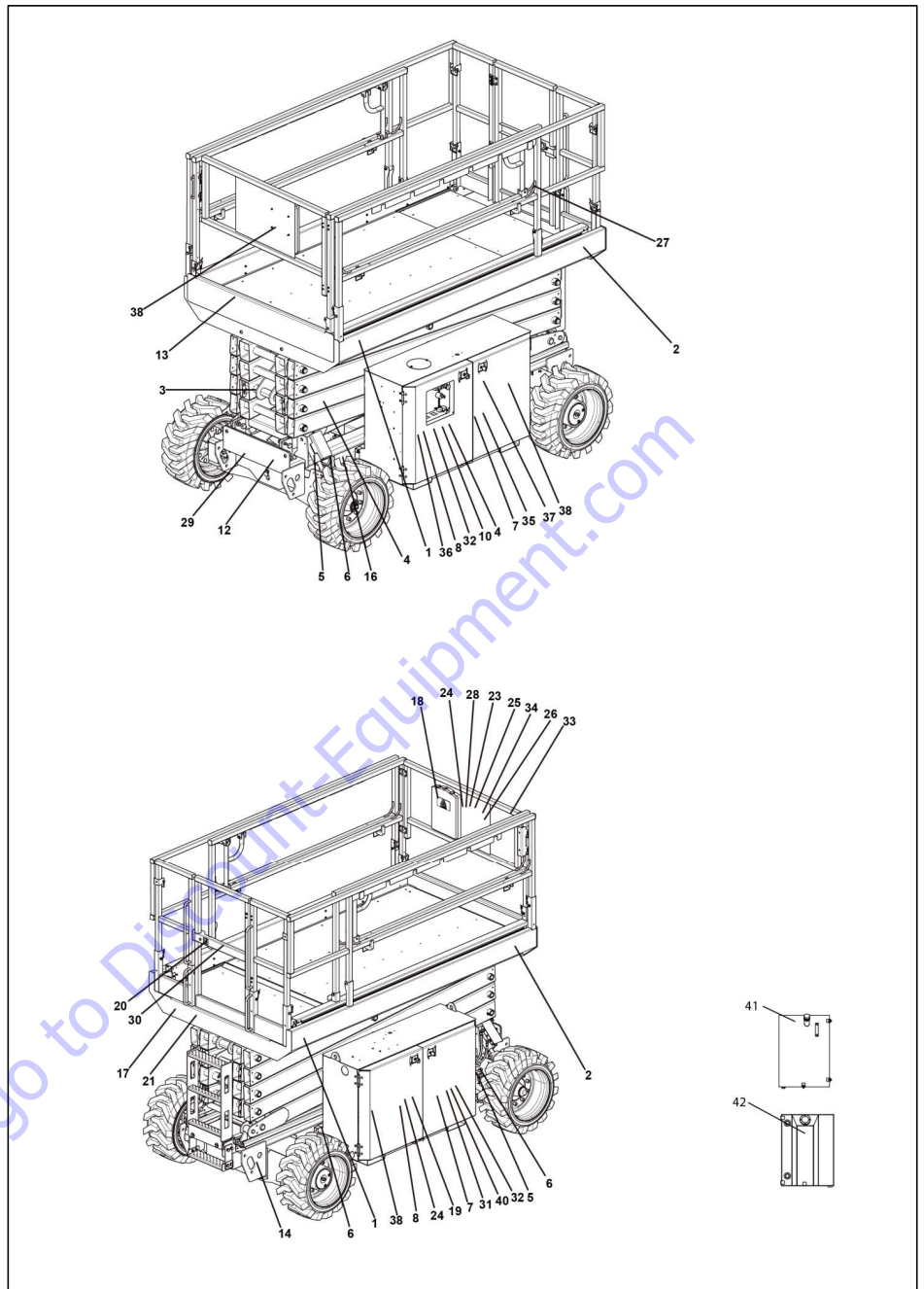
No.	Name	No.	Name
1	Platform Extension Locking Handle	9	Steering Wheel
2	Platform Guard Rails	10	Hydraulic Oil Tank
3	Extension Platform	11	Fuel Tank
4	Document Box	12	Non-Steering Wheel
5	Platform Control Station	13	Outrigger Foot Pad (If Equipped)
6	Lanyard Anchorage Points	14	Outrigger Bracket (If Equipped)
7	Platform Entrance Door	15	Scissor Stack Arm
8	Ground Control Station		

## Chapter 3 Decals and Warning Labels

To order go to [Discount-Equipment.com](http://Discount-Equipment.com)



SR3369D/SR4069D Decals Diagram



## SR3369D/SR4069D Decals







Code	Name	Code	Name
1	Company Logo	22	Side Door Identification
2	Model Identification	23	Annual Inspection Instruction
3	Forklift Safety Arm Sign	24	Safety Rules Description Sign
4	Stay Away From Machine Sign	25	Arrow Indication Sign
5	Direction Indicator Sign	26	Notices Sign
6	Wheel Load Capacity Sign	27	Lanyard Anchorage Point
7	Electric Shock Hazard	28	Reduce Platform Warning Sign
8	Pressure Hazard Identification	29	Tilting Hazard Sign
9	Identification Of Transport Securing Parts	30	Operation Sign
10	Emergency Lowering Mark	31	Prohibition Of Sparks Sign
11	Whole Machine Nameplate	32	Attention In Overhaul
12	Identification Of Transport Securing Parts	33	Suspension Position Sign
13	Warning Line	34	Description Of Fuel Loss
14	Hanger Sign	35	Danger Description
15	Oil Position Sign	36	Attention Mark Of Skin Infracton
16	Maximum Manual Force Sign	37	107db
17	Platform Safety Warning Sign	38	Company Logo
18	Instructions Sign	39	Notice Sign
19	Explosion Burn Warning Sign	40	Identification Of Fuel Tank
20	No-Insulated Sign	41	Identification Of Hydraulic Oil Tank
21	Maximum Manual Power	42	Identification Of Fuel Tank

SR3369D/SR4069D Decals

1-2534000218	2-2534001888/903	3-2534000992	4-2534000973	5-2534000102	6-2534001892
	<b>SR4069D</b> <b>SR3369D</b>				
7-2534000982	8-2534000977	9-2534000056	10-2534000787	11-2534001884	12-2534001173
		<b>4x4</b>			
13-2534000024	14-2831990027	15-2534001377	16-2534001107	17-2534001889/905	18-2534000986
		<b>Max</b> <b>Min</b>			
19-2534001546	20-2534001762	21-253400189/904	22-254001891	23-2534001016	24-2534000984
	<b>NON-INSULATED</b>				
25-2534000033	26-2534001865	27-2534000017	28-2534000985	29-2534000987	30-2534000997
31-2534000998	32-2534000974	33-2534000975	34-2534001015	35-2534000978	36-2534000980

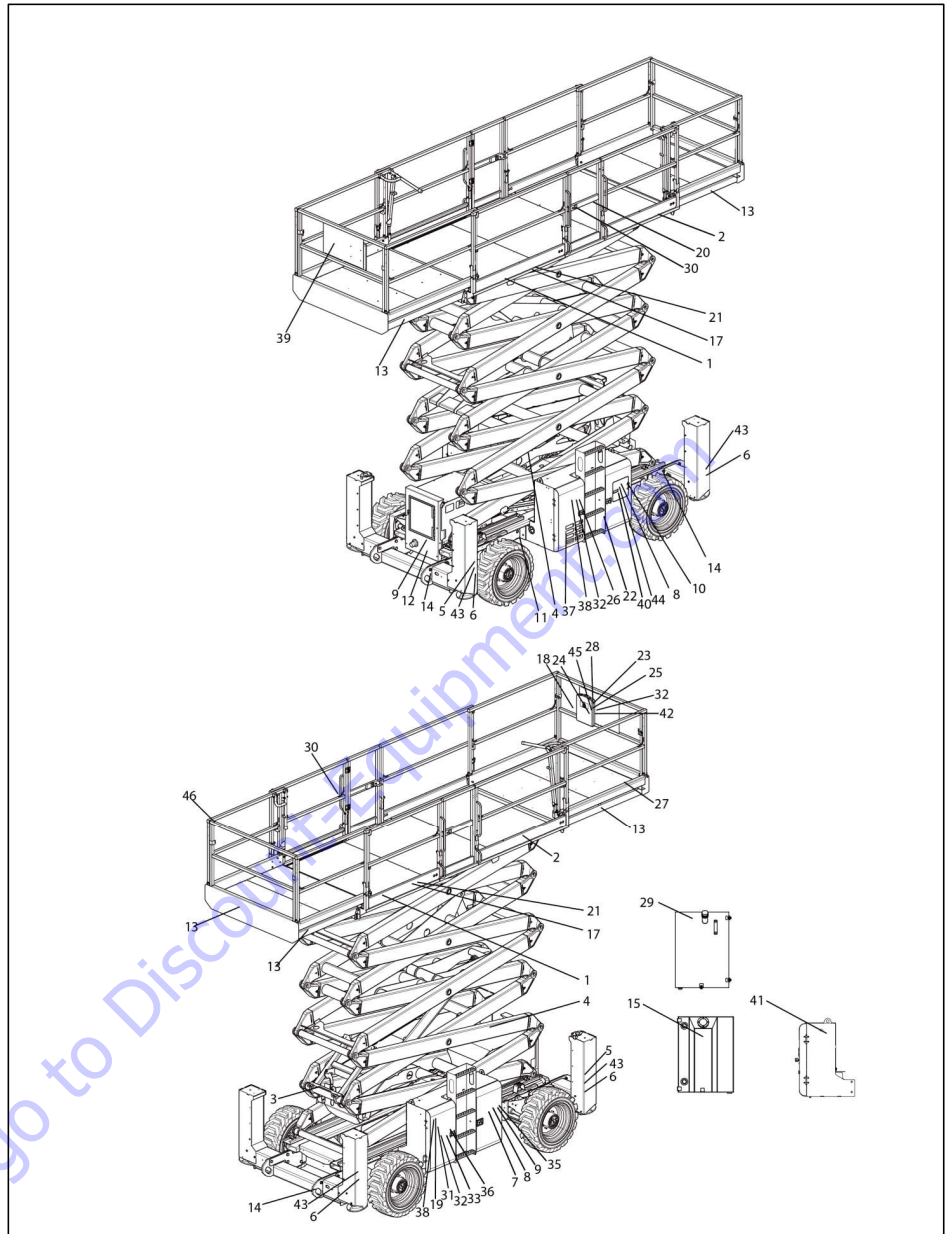
To order go to: [www.lgmg.com](http://www.lgmg.com)

SR3369D/SR4069D Decals

37-2534000786	38-2534000220	39-2534001841	40-2534000177	41-2534000774	42-2534000775
					

To order go to [Discount-Equipment.com](http://Discount-Equipment.com)

SR3390D/SR4390D/SR5390D Decals Diagram



To order go to [DiscoverEquipment.com](http://DiscoverEquipment.com)

## SR3390D/SR4390D/SR5390D Decals List

Code	Name	Code	Name
1	Company Logo	24	Safety Rules Description Sign
2	Model Identification	25	Arrow Indication Sign
3	Forklift Safety Arm Sign	26	Notices Sign
4	Stay Away From Machine Sign	27	Lanyard Anchorage Point
5	Direction Indicator Sign	28	Reduce Platform Warning Sign
6	Wheel Load Capacity Sign	29	Identification Of Hydraulic Oil Tank
7	Electric Shock Hazard	30	Operation Sign
8	Pressure Hazard Identification	31	Prohibition Of Sparks Sign
9	Mark Of Drive Form	32	Attention In Overhaul
10	Emergency Lowering Mark	33	Fuel Tank Mark
11	Whole Machine Nameplate	34	Description Of File Loss
12	Identification Of Transport Securing Parts	35	Danger Description
13	Warning Line	36	Attention Mark Of Skin Infracton
14	Hanger Sign	37	Side Door Identification
15	Fuel Tank Sign	38	Company Logo
16	Maximum Manual Power	39	Company Logo
17	Warning Sign Of Platform Safety	40	107 Db
18	Instructions Sign	41	Power Off Sign
19	Explosion Burn Warning Sign	42	Pay Attention To The Identification Of Hazardous Materials
20	No-Insulated Sign	43	Stay Away Form The Outrigger
21	Maximum Manual Power	44	Warning Sign Of Explosion Hazard
22	Side Door Identification	45	Notice Sign
23	Annual Inspection Instruction	46	Notice Sign

SR3390D/SR4390D/SR5390D Decals

1-253400218	2-2534001870/2/3	3-2534000992	4-2534000973	5-2534000102	6-2534001882
	<b>SR3390D</b> <b>SR4390D</b> <b>SR5390D</b>				
7-2534000982	8-2534000977	9-2534000056	10-2534000787	11-2534001884	12-2534000182
		<b>4x4</b>			
13-2534000024	14-2831990027	15-2534000775	16-2534001876	17-2534001875/83/79	18-2534000986
		<b>Fuel Oil</b>			
19-2534001546	20-2534001762	21-2534001876	22-254001880	23-2534001016	24-2534000984
	<b>NON-INSULATED</b>				
25-2534000033	26-2534001841	27-2534000017	28-2534000985	29-2534000774	30-2534000997
				<b>Hydraulic Oil</b>	
31-2534000998	32-2534000974	33-2534000177	34-2534001015	35-2534000978	36-2534000980

To order go to [www.lgmg.com](http://www.lgmg.com)

37-2534001881	38-2534000220	39-2534000221	40-2534000786	41-2534001056	42-2534001558
43-2534001827	44-2534001839	45-2534001865	46-2534001878		

To order go to Discount-Equipment.com



## Chapter 4 Specifications

To order go to [Discount-Equipment.com](http://Discount-Equipment.com)

**SR3369D Specifications**
**Performance Specifications**

Item	Specification	Item	Specification
Rated load (Kg/lbs)	454/998.8	Ascending/descending speed (s)	39 ± 4/46 ± 4
Load of extension platform (Kg/lbs)	140/308	Minimum turning radius (outer wheel) (m/ft)	4.75/15.58
Maximum number of workers (indoor)	4	Maximum allowable angle of operation (front and rear)	3°
Maximum number of workers (Outdoor)	2	Maximum allowable angle of operation (left and right)	2°
Maximum working height (m/ft)	11.7/38.4	Theoretical climbing ability	35%
Maximum platform height (m/ft)	9.7/31.8	Weight of whole machine (kg/lbs)	3980/8775
Running speed of machine (folding state) (km/h/mpH)	5.5/3.41	Running speed of machine (rising state) (km/h/mpH)	0.5/0.28
Braking distance(mm/in)	1000-1500 /39.4-59.1	Max allowable wind speed(m/s/mpH)	12.5/28

**Main Dimensions**

Item	Specification	Item	Specification
Length of whole machine - (with ladder) (m/ft)	3.11/10.20	Wheel base (front/rear) (mm/in)	2290/75.1
Length of whole machine - (without ladder) (m/ft)	3.12/10.23	Thread mm/(in)	1507/49.4
Width of whole machine (m/ft)	1.79/5.81	Ground clearance (folding state) (m/ft)	0.23/0.75
Height of whole machine - unfolded guard railing (m/ft)	2.70/8.86	Ground clearance (lifting state) (m/ft)	0.23/0.75
Height of whole machine - folded guard railing (m/ft)	2.04/6.69	Tire specification (diameter × width) (mm/in)	663 × 283 26.1 × 11.14
Dimension of working platform (length × width) (m/ft)	2.79 × 1.60 9.15 × 5.25	Extension length of platform (m/ft)	1.52/4.99

**Engine System -**

Item	Specification /Contents	Item	Specification /Contents
Model	Kubota D1105	Number of cylinders	3
Rated power (KW)	18.2	Type	In-line, water-cooling and four-stroke
Rated speed (r/min)	3000	Maximum torque (Nm)/speed (r/min)	71.5/2200
Displacement (ml)	1123	Emission standard	EPA Tire4f

**Hydraulic System**

Item	Specification /Contents
Type	Opening system
Main pump	Gear pump with displacement of 16 ml/r
Front Walking motor	Displacement: 375 ml/r
Rear Walking motor	Displacement: 25 ml/r
System pressure (Mpa/psi)	24.1/3494.5

**Capacities**

Item	Specification
Hydraulic oil (L/gal)	50/13.2
Engine oil(L/gal) (CH-4 15W-40)	5.1/1.35
Diesel (L/gal)	53L/14
Drive Hub 80-90/w(L/gal)	0.68/0.18

Note: When hydraulic oil and diesel are replenished, it is necessary to use the corresponding hydraulic oil and diesel according to operating environment and temperature, and refer to the following tables:

Temperature	Oil Type
Minimum air temperature $> -9^{\circ}\text{C}$	L-HM 46 antiwear hydraulic oil
$-33^{\circ}\text{C} < \text{minimum air temperature} \leq -9^{\circ}\text{C}$	L-HV 46 low temperature hydraulic oil
$-39^{\circ}\text{C} < \text{minimum air temperature} \leq -33^{\circ}\text{C}$	L-HS 46 ultra low temperature hydraulic oil
Minimum air temperature $\leq -39^{\circ}\text{C}$	10# aviation hydraulic oil

Temperature	Diesel Type
Minimum air temperature $\geq 4^{\circ}\text{C}$	0# diesel
Minimum air temperature $\geq -5^{\circ}\text{C}$	-10# diesel
Minimum air temperature $\geq -14^{\circ}\text{C}$	-20# diesel
Minimum air temperature $\geq -29^{\circ}\text{C}$	-35# diesel

**Specifications**
**SR4069D Specifications**
**Performance Specifications**

Item	Specification	Item	Specification
Rated load (Kg/lbs)	365/803	Ascending/descending speed (s)	61 ± 4/55 ± 4
Load of extension platform (Kg/lbs)	140/308	Minimum turning radius (outer wheel) (m/ft)	4.75/15.58
Maximum number of workers (indoor)	3	Maximum allowable angle of operation (front and rear)	3°
Maximum number of workers (Outdoor)	2	Maximum allowable angle of operation (left and right)	2°
Maximum working height (m/ft)	13.9/45.6	Theoretical climbing ability	35%
Maximum platform height (m/ft)	11.9/39	Weight of whole machine (kg/lbs)	5120/11288
Running speed of machine (folding state) (km/h/mph)	5.5/3.41	Running speed of machine (rising state) (km/h/mph)	0.5/0.28
Braking distance(mm/in)	1000-1500 /39.4-59.1	Max allowable wind speed(m/s/mph)	12.5/28

**Main Dimensions**

Item	Specification	Item	Specification
Length of whole machine - (with ladder) (m/ft)	3.11/10.20	Wheel base (front/rear) (mm/in)	2290/75.1
Length of whole machine - (without ladder) (m/ft)	3.12/10.23	Thread (mm/in)	1507/49.4
Width of whole machine (m/ft)	1.79/5.81	Ground clearance (folding state) (m/ft)	0.23/0.75
Height of whole machine - unfolded guard railing (m/ft)	2.70/8.86	Ground clearance (lifting state) (m/ft)	0.23/0.75
Height of whole machine - folded guard railing (m/ft)	2.04/6.69	Tire specification (diameter × width) (mm/in)	663 × 283 26.1 × 11.14
Dimension of working platform (length × width) (m/ft)	2.79 × 1.60 9.15 × 5.25	Extension length of platform (m/ft)	1.52/4.99

**Engine System**

Item	Specification/Contents	Item	Specification/Contents
Model	Kubota D1105	Number of cylinders	3
Rated power (KW)	18.2	Type	In-line, water-cooling and four-stroke
Rated speed (r/min)	3000	Maximum torque (Nm)/speed (r/min)	71.5/2200
Displacement (ml)	1123	Emission standard	EPA Tire4f

**Hydraulic System**

Item	Specification/Contents
Type	Opening system
Main pump	Gear pump with displacement of 16 ml/r
Front Drive motor	Displacement 375 ml/r
Rear Drive motor	Displacement 25 ml/r
System pressure (Mpa/psi)	24.1/3494.5

**Capacities**

Item	Specification
Hydraulic oil (L/gal)	50/13.2(replacement of oil)
Engine oil(L/gal) (CH-4 15W-40)	5.1/1.35
Diesel (L/gal)	53L/14
Drive Hub 80-90/w(L/gal)	0.68/0.18

Note: When hydraulic oil and diesel are replenished, it is necessary to use the corresponding hydraulic oil and diesel according to operating environment and temperature, and refer to the following tables:

Temperature	Oil type
Minimum air temperature $> -9^{\circ}\text{C}$	L-HM 46 antiwear hydraulic oil
$-33^{\circ}\text{C} < \text{minimum air temperature} \leq -9^{\circ}\text{C}$	L-HV 46 low temperature hydraulic oil
$-39^{\circ}\text{C} < \text{minimum air temperature} \leq -33^{\circ}\text{C}$	L-HS 46ultralow temperature hydraulic oil
Minimum air temperature $\leq -39^{\circ}\text{C}$	10# aviation hydraulic oil

Temperature	Diesel type
Minimum air temperature $\geq 4^{\circ}\text{C}$	0# diesel
Minimum air temperature $\geq -5^{\circ}\text{C}$	-10# diesel
Minimum air temperature $\geq -14^{\circ}\text{C}$	-20# diesel
Minimum air temperature $\geq -29^{\circ}\text{C}$	-35# diesel

**Specifications**
**SR3390D Specifications**
**Performance Specifications**

Item	Specification	Item	Specification
Rated load (Kg/lbs)	1100/2430	Ascending/descending speed (s)	40±5/45±5
Load of extension platform (Kg/lbs)	230/507	Minimum turning radius (outer wheel) (m/ft)	5.33/17.45
Maximum number of workers	7	Maximum allowable angle of operation (front and rear)	3°
Maximum working height (m/ft)	12/39.3	Maximum allowable angle of operation (left and right)	2°
Maximum platform height (m/ft)	10/32.8	Maximum leveling angle of outrigger (from front to rear)	7°
Running speed of machine (folding state) (km/h/mpH)	6.1/3.78	Maximum leveling angle of outrigger (from left to right)	12°
Running speed of machine (rising state) (km/h/mpH)	1.1/0.628	Theoretical climbing ability	40%
Running height (m/ft)	10/32.8		

**Main Dimensions**

Item	Specification	Item	Specification
Length of whole machine - platform retraction (m/ft)	4.9/16	Extension length - double extension length (m/ft)	6.58/21.58
Width of whole machine (m/ft)	2.3/7.55	Wheel base (front/rear) (mm/in)	2850/111.2
Height of whole machine - unfolded guard railing (m/ft)	2.74/8.99	Thread mm/(in)	1993/78.4
Height of whole machine - folded guard railing (m/ft)	2.06/6.75	Ground clearance (folding state) (m/ft)	0.21/0.69
Dimension of main platform (length × width) (m/ft)	3.98 × 1.83 13×6	Tire specification (diameter × width) (mm/in)	842 × 290 33.1 × 11.4
Extension length - single extension length (m/ft)	5.44/17.85	Weight of whole machine (kg/lbs)	6880/15170

**Engine System**

Item	Specification /Contents	Item	Specification /Contents
Model	DEUTZ D2.9L4	Number of cylinders	4
Rated power (KW)	36.4	Type	In-line, water-cooling and four-stroke
Rated speed (r/min)	2,600	Maximum torque (Nm)/speed (r/min)	147/1,600
Displacement (ml)	2900	Emission standard	EPA Tire4f

**Hydraulic System**

Item	Specification /Contents
Type	Open lifting system and closing walking system
Lift pump	Gear pump with displacement of 16 ml/r
Drive pump	Closed variable pump with displacement of 49 ml/r
System pressure (Mpa/psi)	28/4060
Drive motor	Piston motor with displacement of 38 ml/r

**Capacities**

Item	Specification
Hydraulic oil (L/gal)	140/37(replacement of oil)
Engine oil(L/gal) (CH-4 15W-40)	9.5/2.5
Diesel (L/gal)	110L/29
Reducer (4) 80-90/w(L/gal)	0.68/0.18

Note: When hydraulic oil and diesel are replenished, it is necessary to use the corresponding hydraulic oil and diesel according to operating environment and temperature, and refer to the following tables:

Use temperature	Oil type
Minimum air temperature $> -9^{\circ}\text{C}$	L-HM 46 antiwear hydraulic oil
$-33^{\circ}\text{C} < \text{minimum air temperature} \leq -9^{\circ}\text{C}$	L-HV 46 low temperature hydraulic oil
$-39^{\circ}\text{C} < \text{minimum air temperature} \leq -33^{\circ}\text{C}$	L-HS 46ultralow temperature hydraulic oil
Minimum air temperature $\leq -39^{\circ}\text{C}$	10# aviation hydraulic oil

Use temperature	diesel type
Minimum air temperature $\geq 4^{\circ}\text{C}$	0# diesel
Minimum air temperature $\geq -5^{\circ}\text{C}$	-10# diesel
Minimum air temperature $\geq -14^{\circ}\text{C}$	-20# diesel
Minimum air temperature $\geq -29^{\circ}\text{C}$	-35# diesel

**Specifications**
**SR4390D Specifications**
**Performance Specifications**

Item	Specification	Item	Specification
Rated load (Kg/lbs)	910/2010	Ascending/descending speed (s)	55/55
Load of extension platform (Kg/lbs)	230/507	Minimum turning radius (outer wheel) (m/ft)	5.33/17.45
Maximum number of workers	7	Maximum allowable angle of operation (front and rear)	3°
Maximum working height (m/ft)	15/49.2	Maximum allowable angle of operation (left and right)	2°
Maximum platform height (m/ft)	13/42.65	Maximum leveling angle of outrigger (from front to rear)	7°
Running speed of machine (folding state) (km/h/mpH)	6.1/3.78	Maximum leveling angle of outrigger (from left to right)	12°
Running speed of machine (rising state) (km/h/mpH)	1.1/0.628	Theoretical climbing ability	40%
Running height (m/ft)	8.5/27.9		

**Main Dimensions**

Item	Specification	Item	Specification
Length of whole machine - platform retraction (m/ft)	4.9/16	Extension length - double extension length (m/ft)	6.58/21.58
Width of whole machine (m/ft)	2.3/7.55	Wheel base (front/rear) (mm/in)	2850/111.2
Height of whole machine - unfolded guard railing (m/ft)	2.96/9.71	Thread (mm/in)	1993/78.4
Height of whole machine - folded guard railing (m/ft)	2.28/7.48	Ground clearance (folding state) (m/ft)	0.21/0.69
Dimension of main platform (length × width) (m/ft)	3.98 × 1.83 13 × 6	Tire specification (diameter × width) (mm/in)	842 × 290 33.1 × 11.4
Extension length - single extension length (m/ft)	5.44/17.85	Weight of whole machine (kg/lbs)	7360/16230

**Engine System**

Item	Specification /Contents	Item	Specification /Contents
Model	DEUTZ D2.9L4	Number of cylinders	4
Rated power (/KW)	36.4	Type	In-line, water-cooling and four-stroke
Rated speed (r/min)	2,600	Maximum torque (N.m)/speed (r/min)	147/1,600
Displacement (ml)	2900	Emission standard	EPA Tire4f



**Hydraulic System**

Item	Parameters/Contents
Type	Open lifting system and closing walking system
Lift pump	Gear pump with displacement of 16 ml/r
Drive pump	Closed variable pump with displacement of 49 ml/r
System pressure (Mpa/psi)	28/4060
Drive motor	Piston motor with displacement of 38 ml/r

**Capacities**

Item	Parameters
Hydraulic oil (L/gal)	140/37(replacement of oil)
Engine oil(L/gal) (CH-4 15W-40)	9.5/2.5
Diesel (L/gal)	110L/29
Drive Hub (4) 80-90/w(L/gal)	0.68/0.18

Note: When hydraulic oil and diesel are replenished, it is necessary to use the corresponding hydraulic oil and diesel according to operating environment and temperature, and refer to the following tables:

Use temperature	Oil type
Minimum air temperature $> -9^{\circ}\text{C}$	L-HM 46 antiwear hydraulic oil
$-33^{\circ}\text{C} < \text{minimum air temperature} \leq -9^{\circ}\text{C}$	L-HV 46 low temperature hydraulic oil
$-39^{\circ}\text{C} < \text{minimum air temperature} \leq -33^{\circ}\text{C}$	L-HS 46 ultra low temperature hydraulic oil
Minimum air temperature $\leq -39^{\circ}\text{C}$	10# aviation hydraulic oil

Use temperature	Diesel type
Minimum air temperature $\geq 4^{\circ}\text{C}$	0# diesel
Minimum air temperature $\geq -5^{\circ}\text{C}$	-10# diesel
Minimum air temperature $\geq -14^{\circ}\text{C}$	-20# diesel
Minimum air temperature $\geq -29^{\circ}\text{C}$	-35# diesel

**Specifications**
**SR5390D Specifications**
**Performance Specifications**

Item	Specification	Item	Specification
Rated load (Kg/lbs)	680/1500	Ascending/descending speed (s)	55/55
Load of extension platform (Kg/lbs)	230/507	Minimum turning radius (outer wheel) (m/ft)	5.33/17.45
Maximum number of workers	4	Maximum allowable angle of operation (front and rear)	3°
Maximum working height (m/ft)	17.9/58.7	Maximum allowable angle of operation (left and right)	2°
Maximum platform height (m/ft)	15.9/52.2	Maximum leveling angle of outrigger (from front to rear)	7°
Running speed of machine (folding state) (km/h/mpH)	6.1/3.78	Maximum leveling angle of outrigger (from left to right)	12°
Running speed of machine (rising state) (km/h/mpH)	1.1/0.628	Theoretical climbing ability	40%
Running height (m/ft)	8.5/27.9		

**Main Dimensions**

Item	Specification	Item	Specification
Length of whole machine - platform retraction (m/ft)	4.9/16	Extension length - double extension length (m/ft)	6.58/21.58
Width of whole machine (m/ft)	2.3/7.55	Wheel base (front/rear) (mm/in)	2850/111.2
Height of whole machine - unfolded guard railing (m/ft)	3.18/10.43	Thread mm/(in)	1993/78.4
Height of whole machine - folded guard railing (m/ft)	2.5/8.2	Ground clearance (folding state) (m/ft)	0.23/0.75
Dimension of main platform (length × width) (m/ft)	3.98 × 1.83 13 × 6	Tire specification (diameter × width) (mm/in)	842 × 290 33.1 × 11.4
Extension length - single extension length (m/ft)	5.44/17.85	Weight of whole machine (kg/lbs)	8100/17860

**Engine System**

Item	Specification /Contents	Item	Specification /Contents
Model	DEUTZ D2.9L4	Number of cylinders	4
Rated power (/KW)	36.4	Type	In-line, water-cooling and four-stroke
Rated speed (r/min)	2,600	Maximum torque (N.m)/speed (r/min)	147/1,600
Displacement (ml)	2900	Emission standard	EPA Tier4f

**Hydraulic System**

Item	Specification /Contents
Type	Open lifting system and closing walking system
Lifting pump	Gear pump with displacement of 16 ml/r
Walking pump	Closed variable pump with displacement of 49 ml/r
System pressure (Mpa/psi)	28/4060
Walking motor	Piston motor with displacement of 38 ml/r

**Refueling Volume**

Item	Specification
Hydraulic oil (L/gal)	140/37(replacement of oil)
Engine oil(L/gal) (CH-4 15W-40)	9.5/2.5
Diesel (L/gal)	110L/29
Reducer (4) 80-90/w(L/gal)	0.68/0.18

Note: When hydraulic oil and diesel are replenished, it is necessary to use the corresponding hydraulic oil and diesel according to operating environment and temperature, and refer to the following contents:

Use temperature	Oil type
Minimum air temperature $> -9^{\circ}\text{C}$	L-HM 46 antiwear hydraulic oil
$-33^{\circ}\text{C} < \text{minimum air temperature} \leq -9^{\circ}\text{C}$	L-HV 46 low temperature hydraulic oil
$-39^{\circ}\text{C} < \text{minimum air temperature} \leq -33^{\circ}\text{C}$	L-HS 46 ultra low temperature hydraulic oil
Minimum air temperature $\leq -39^{\circ}\text{C}$	10# aviation hydraulic oil

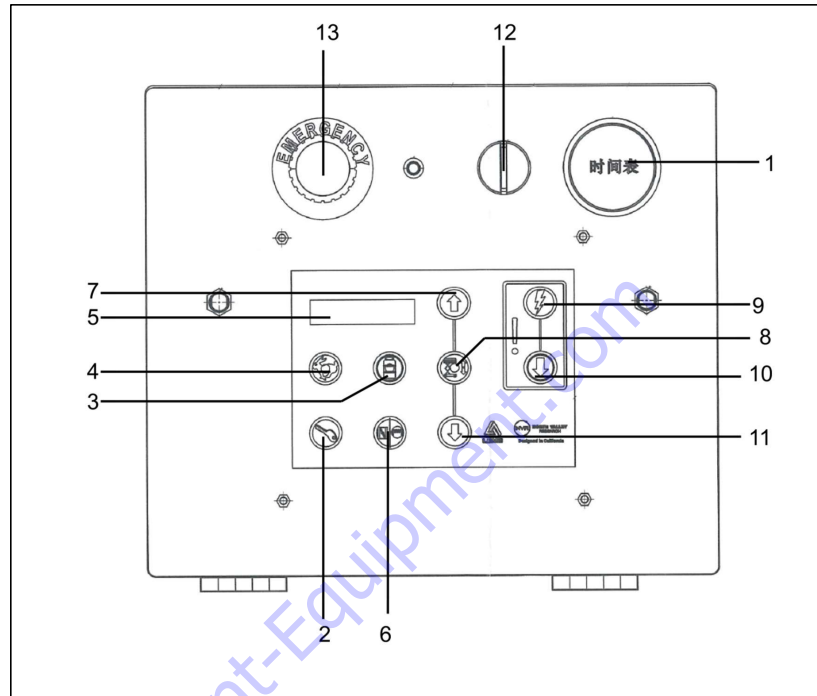
Use temperature	diesel type
Minimum air temperature $\geq 4^{\circ}\text{C}$	0# diesel
Minimum air temperature $\geq -5^{\circ}\text{C}$	-10# diesel
Minimum air temperature $\geq -14^{\circ}\text{C}$	-20# diesel
Minimum air temperature $\geq -29^{\circ}\text{C}$	-35# diesel

## Chapter 5 Control Station

To order go to [Discount-Equipment.com](http://Discount-Equipment.com)

## 5.1 Ground Control Station

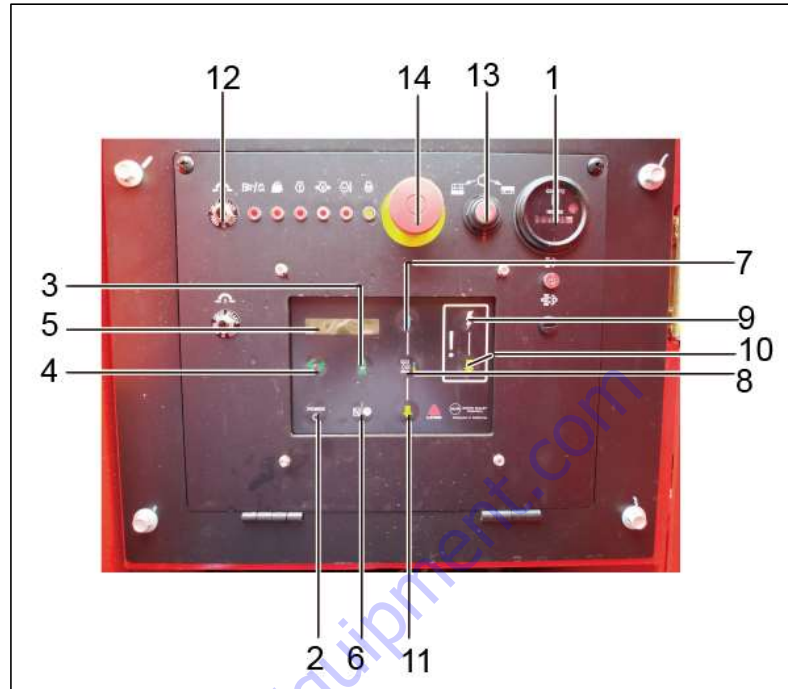
### 5.1.1 Ground Control Station-SR3369D/SR4069D



No.	Name	Operation function description
1	Timer	The timer displays hours that the machine has been running.
2	Startup button of engine	Press this button to start up the engine.
3	Gasoline/LPG model: LPG operating button with indicator	Press this button to select LPG.
4	Idling selection button of engine with indicator	Press this button to select the idling setting of engine. The indicator is on, indicating that the middle and high idling has been selected. The indicator is off, indicating that the middle and low idling has been selected.
5	LCD display	
6	Glow plug button	Press this button to activate the glow plug.
7	Lift button of platform	Press this button to lift the platform.
8	Enabling button with lift function	Press this button to activate the lift function.

9	Enabling button with standby auxiliary function	Press this button to activate the emergency descending function.
10	Standby auxiliary descending button	Press this button to activate the emergency descending function.
11	Descending button of platform	Press this button to activate the emergency descending function.
12	Selection of key switch for platform/off/Ground Control Station	Turn the key switch to the platform, and then Platform Control Station will run. Turn the key switch to OFF position, and then the machine will be shut down. Turn the key switch to the ground, and then Ground Control Station will run.
13	Red "emergency shutdown" button	Push the red "emergency shutdown" button inward to Off position to stop all functions. Pull the red "emergency shutdown" button out to On position to operate the machine.

To order go to [Discount-Equipment.com](http://Discount-Equipment.com)

**5.1.2 Ground Control Station-SR3390D/SR4390D/SR5390D**


No.	Name	Operation function description
1	Timer	The timer displays hours that the machine has been running.
2	Startup button of engine	Press this button to start up the engine.
3	Gasoline/LPG model: LPG operating button with indicator	Press this button to select LPG.
4	Idling selection button of engine with indicator	Press this button to select the idling setting of engine. The indicator is on, indicating that the middle and high idling has been selected. The indicator is off, indicating that the middle and low idling has been selected.
5	LCD display	
6	Glow plug button	Press this button to activate the glow plug.
7	Lift button of platform	Press this button to lift the platform.
8	Enabling button with lift function	Press this button to activate the lift function.
9	Enabling button with standby auxiliary function	Press this button to activate the emergency descending function.
10	Standby auxiliary descending button	Press this button to activate the emergency

		descending function.
11	Descending button of platform	Press this button to activate the emergency descending function.
12	Circuit breaker	
13	Selection of key switch for platform/off/Ground Control Station	Turn the key switch to the platform, and then Platform Control Station will run. Turn the key switch to OFF position, and then the machine will be shut down. Turn the key switch to the ground, and then Ground Control Station will run.
14	Red "emergency shutdown" button	Push the red "emergency shutdown" button inward to Off position to stop all functions. Pull the red "emergency shutdown" button out to On position to operate the machine.

To order go to [Discount-Equipment.com](http://Discount-Equipment.com)



## 5.2 Platform Control Station



No.	Name	Operation function description
1	Functional enabling button of outrigger with indicator	Press and hold this button to activate the ascending/descending functions of single outrigger.
2	Automatic leveling button of outrigger	Press and hold this button to activate the automatic leveling function.
3	Gasoline/LPG model: LPG operating button with indicator	Press this button to select LPG.
4	Machine tilt button with indicator: Please operate it at a low speed during tilt.	Press this button to perform operation at a low speed during tilt.
5	Horn button	Press this button, and the horn will sound. Release this button, and the horn will stop sounding.
6	Idling selection button of engine with indicator	Press this button to select the idling setting of engine. The indicator is on, indicating that the idling has been selected. The indicator is off, indicating that the intermediate and low idling has been selected.

7	Red emergency shutdown button	Push the red emergency shutdown button inward to Off position to stop all functions and shut down the engine. Pull the red emergency shutdown button out to On position to operate the machine.
8	Enabling switch	Press the enabling switch to start up the function.
9	Thumb rocker switch for steering function	Press the enable switch and press the left side of the thumb rocker, then the machine will turn to the left. Press the enable switch and press the right side of the thumb rocker, then the machine will turn to the right.
10	Proportional control handle of driving/lifting /Outrigger function	Press the driving function button, press the enable switch and move the control handle in the direction indicated by the blue arrow or yellow arrow on control panel, and then the machine will move in the direction indicated by the blue arrow or yellow arrow. Press the lifting function button, press the enable switch and move the control handle backward, and then the machine will lift; move the control handle forward, and then the machine will lower. Press and hold the outrigger function button, press the enable switch and move the control handle in the direction indicated by the yellow arrow or blue arrow on control panel, and then the outrigger will extend or retract.
11	Enabling button of lift function with indicator	Press this button to activate the lift function.
12	Enabling button of drive function with indicator	Press this button to activate the walking function.
13	Hydraulic generator(If equipped)	
14	Glow plug button	Press this button to activate the glow plug.
15	Startup button of engine	Press this button to start up the engine.

To order go to [DiscountEquipment.com](#)

## 5.3 Basic Operation

### Basic Operation Principle

- 1) The machine's electrical wiring and harnesses are complete, and form a complete circuit. The sensors work normally, the main power supply is connected, and the function of the key switch and emergency shutdown switch is normal.
- 2) Open the key switch, select the upper control unit or the lower control unit, and pull the upper and lower control units out upon emergency shutdown, and then the vehicle has no alarm and error code.
- 3) For normal operation of the machine, press and hold the enable switch and functional control, and move the control handle or switch to cause the desired operation of the machine.

### Ground Control Station Operation

- 1) Engine Startup or Shutdown
  - a) When the key switch is in the lower control mode, pull out the emergency shutdown switch. The lower control LCD will display System Ready.
  - b) Press the engine startup button, and release the button after about 3 seconds upon engine startup.
  - c) Press the emergency shutdown switch or turn the key switch back to the neutral position. The engine will shut down.

#### 2) Platform Lift

Start the engine in lower control mode; press the button for lift. The platform will lift or lower depending upon the direction the switch is pressed.

#### 3) Emergency Descent

When unable to lower the platform normally due to a fault, enable the emergency descending function. Simultaneously press the auxiliary function enabling button and the auxiliary descent button to lower the platform.

### Platform Control Station Operation

- 1) Engine Startup or Shutdown
  - a) Turn the key switch to the upper control mode, the lower control LCD will display System Ready.
  - b) Press the engine startup button, and release the button after about 3 seconds upon engine startup.
  - c) For shutdown of the engine, press the emergency shutdown switch, the engine will be shut down immediately.
- 2) Driving
  - a) After completion of system initialization and startup of engine, observe if there are any personnel or obstacles around. Press the horn button before driving, to alert personnel the machine will be driving.
  - b) Press the driving function button and enable button on the Platform Control Station, and push the drive handle forward or backward, and then the vehicle will drive forward or backward.
  - c) The vehicle will stop when the enable switch is released or the control handle is returned to the neutral position,.

#### 3) Steering

Press the driving function button. Press the enable button on Platform Control Station and the thumb rocker switch to the left or right, the vehicle will turn to the left or right. Release the enabling switch or the steering switch to stop steering.

#### 4) Lifting and Lowering

Turn the key switch to the upper control mode, start the engine, press the button with lift function, press the enable button and move the control handle. The platform will lift when the control handle move to the backward; and the platform will lower when the control handle move to the forward.

#### 5) Outriggers

Turn the key switch to the upper control mode, start the engine, press and hold one of the four outrigger function enable buttons, press the

enable switch and move the control handle. The outrigger will extend and retract depending upon the direction the button was pushed. After the outrigger is firmly set, the indicator on the button will be on.

#### 6) Automatic Leveling

When the machine is tilted, it is necessary to use outriggers to level the vehicle. The control system allows automatic leveling using the outriggers. Turn the key switch to the upper control mode, start the engine, press and hold the automatic leveling button, press the enable switch and move the control handle in the direction of yellow arrow or blue arrow, the outrigger will extend or retract. After leveling, the four lamps on outrigger button will be on; push the switch, there will be an alarm. At this moment, the outrigger cannot extend, indicating that the vehicle is in leveling mode.

To order go to [Discount-Equipment.com](http://Discount-Equipment.com)

**System fault diagnosis and fault code-SR69D/SR90D**

Display	Error code	Description	Solution
0×01 Internal ECU Fault	0×01	Main control system Ground Control Station Error	Replace the Ground Control Station
0×02 Platform ECU Fault	0×02	Communication error	Check the wiring, and replace the upper and lower control units separately to determine the fault if the wiring is in a good condition
0×07 lockout_two	0×07	lockout_two	Unlock by the server
0×09 Search statuses	0×09	Search statuses	Just remind the search statuses, not fault
0×0C Tilt alarm LL	0×0C	Tilt alarm LL	Move the machine to the level ground
0×0E Angle sensor fault	0×0E	Angle sensor fault	Check the wiring and Angle sensor
0×0F Pressure sensor fault	0×0F	Pressure sensor fault	Check the wiring and Pressure sensor
0×14 Chassis Start Sw Fault	0×14	Chassis start switch error while starting	Check the switch and the wiring
0×15 Chassis Choke Sw Fault	0×15	Chassis Choke opening error while starting	Check the switch and the wiring
0×16 Chassis Up Sw Fault	0×16	Rising switch opening error while starting	Check the switch and the wiring
0×17 Chassis Lift Sw Fault	0×17	Hoisting switch opening error while starting	Check the switch and the wiring
0×18 Chassis Down Sw Fault	0×18	Descending switch opening error while starting	Check the switch and the wiring
0×19 Left Turn Sw Fault	0×19	Platform left turn switch opening error while starting	Check the switch and replace the upper control unit
0×1A Right Turn Sw Fault	0×1A	Platform right turn switch opening error while starting	Check the switch and replace the upper control unit
0×1B Drive Enable Sw Fit	0×1B	Platform enabling switch opening error while starting	Check the switch and replace the upper control unit
0×1C Off Neutral Drive Joystick	0×1C	No platform handle in the middle position while starting	Check the handle and replace the upper control unit
0×1D Platform lift Sw Fault	0×1D	Lifting function key opening error	Check the handle and replace the upper control unit
0×1E Off Neutral lift Joystick	0×1E	Center lifting operating handle closing	Check the handle and replace the upper control unit
0×1F Platform Choke Sw Fault	0×1F	Shutdown switch opening error while starting	Check the switch and replace the upper control unit

Display	Error code	Description	Solution
0x20 Platform Start Sw Fault	0x20	Platform ignition switch opening error while starting	Check the switch and replace the upper control unit
0x21 Left Front Outrig Sw Flt	0x21	Outrigger left front switch opening error while starting	Check the switch and replace the upper control unit
0x22 Right Front Outrig Sw Flt	0x22	Outrigger right front switch opening error while starting	Check the switch and replace the upper control unit
0x23 Left Rear Outrig Sw Flt	0x23	Outrigger left rear switch opening error while starting	Check the switch and replace the upper control unit
0x24 Right Rear Outrig Sw Flt	0x24	Outrigger right rear switch opening error while starting	Check the switch and replace the upper control unit
0x25 Auto Level Switch Fault	0x25	Automatic level switch opening error while starting	Check the switch and replace the upper control unit
0x26 Platform Walk Sw Fault	0x26	The button of walking on the PCU activated while the machine power on.	Check the button if necessary replace the PCU
0x28 LOST_COMM_GPS	0x28	Disconnect the communication between GCU and GPS	Check the wire between GCU and GPS
0x29 LOCKOUT_ONE	0x29	Lockout- primary level	Unlock the machine by the server
0x2A DOWNLIMIT DOWNLIMIT Fault	0x2A	Lower limit switch failure, lower limit switch trigger position and angle sensor detection height Inconsistent	Check the lower limit switch, check the angle sensor, or recalibrate the height
0x2B 9m limit fault	0x2B	9m limit switch failure, 9m limit switch trigger position and angle sensor detect high Degree of inconsistency	Check 9m limit switch, check angle sensor, or recalibrate altitude
0x2C Down limit SW Open Fault	0x2C	Down limit SW Open Fault	Check the down limit SW open connection
0x2D Down limit SW Close Fault	0x2D	Down limit SW Close Fault	Check the down limit SW close connection
0x2E 9M Limit SW Open Fault	0x2E	9M Limit SW Open Fault	Check the 9m limit SW open connection
0x2F 9m limit SW close fault	0x2F	9m limit sw close fault	Check the 9m limit SW close connection
0x34 Func Prop Coil Fault	0x34	Parallel valve coil fault	Check the circuit and replace the solenoid valve
0x36 Up Coil Fault	0x36	Rising valve coil fault	Check the circuit and replace the solenoid valve

Display	Error code	Description	Solution
0×37 Down Coil Fault	0×37	Falling valve coil fault	Check the circuit and replace the solenoid valve
0×38 Right Turn Coil Fault	0×38	Right-turn coil fault	Check the circuit and replace the solenoid valve
0×39 Left Turn Coil Fault	0×39	Left-turn coil fault	Check the circuit and replace the solenoid valve
0×3A Brake Coil Fault	0×3A	Brake coil fault	Check the circuit and replace the solenoid valve
0×42 Low Oil Pressure	0×42	Low oil pressure fault	Check the circuit and replace the pressure sensor
0×43 High Coolant Temperature	0×43	High oil temperature fault	Check the circuit and replace the temperature sensor
0×44 Low ECU Voltage	0×44	Low voltage fault	Check the circuit and battery, and replace the battery
0×45 Low Engine Rpm	0×45	Engine underspeed fault	Check the circuit and engine
0×46 High Engine RPM	0×46	Engine overspeed fault	Check the circuit and engine
0×47 RF Limit SW Close Fault	0×47	RF Limit SW Close Fault	Check the harness and travel switch
0×48 RF Limit SW Open Fault	0×48	RF Limit SW Open Fault	Check the harness and travel switch
0×49 RR Limit SW Close Fault	0×49	RR Limit SW Close Fault	Check the harness and travel switch
0×4A RR Limit SW Open Fault	0×4A	RR Limit SW Open Fault	Check the harness and travel switch
0×4B LF Limit SW Close Fault	0×4B	LF Limit SW Close Fault	Check the harness and travel switch
0×4C LF Limit SW Open Fault	0×4C	LF Limit SW Open Fault	Check the harness and travel switch
0×4D LR Limit SW Close Fault	0×4D	LR Limit SW Close Fault	Check the harness and travel switch
0×4E LR Limit SW Open Fault	0×4E	LR Limit SW Open Fault	Check the harness and travel switch
0×50 Left Front Otrg Coil Flt	0×50	Left front outrigger solenoid valve coil fault	Check the circuit and replace the solenoid valve
0×51 Left Rear Otrg Coil Flt	0×51	Left rear outrigger solenoid valve coil fault	Check the circuit and replace the solenoid valve
0×52 Right Front Otrg Coil Flt	0×52	Right front outrigger solenoid valve fault	Check the circuit and replace the solenoid valve
0×53 Right Rear Otrg Coil Flt	0×53	Right rear outrigger solenoid valve fault	Check the circuit and replace the solenoid valve

Display	Error code	Description	Solution
0x54 Outrigger Ext Coil Flt	0x54	Outrigger extension solenoid valve fault	Check the circuit and replace the solenoid valve
0x55 Outrigger Ret Coil Flt	0x55	Outrigger retraction solenoid valve fault	Check the circuit and replace the solenoid valve
0x57 DPF Fault Lv3 Regeneration Needed	0x57	Alarming--DPF3 level	Operate DPF of the engine
0x58 DPF Fault Lv4 Regeneration Needed	0x58	Alarming--DPF4 level	Operate DPF of the engine
0x59 DPF Fault Lv5 Regeneration Needed	0x59	Alarming--DPF5 level	Operate DPF of the engine
0x5A 2 Speed Coil Fault	0x5A	2 Speed coil error	Check the circuit and replace the solenoid valve
0x5B Bypass Coil Fault	0x5B	Shunt coil fault	Check the circuit and replace the solenoid valve
0x5C Drive Fwd Prop Coil Fault	0x5C	Drive forward proportional coil error	Check the circuit and replace the solenoid valve
0x5D Drive Rev Prop Coil Fault	0x5D	Drive backward proportional coil error	Check the circuit and replace the solenoid valve
0x5E Machine Type Fault	0x5E	Model error	Reselect the correct model
0x5F Low Fuel	0x5F	Low Fuel	Check the fuel level and add the fuel
0x60 FreeWheel Coil Fault	0x60	Coil fault	Check the wire, replace the solenoid valve
0x61 ACCUM Coil Fault	0x61	Coil fault	Check the wire, replace the solenoid valve
0x62 HBY Coil Fault	0x62	Coil fault	Check the wire, replace the solenoid valve
0x63 Platform Overload Fault	0x63	Platform Overload Fault	Check the circuit and overload the platform
0x64 DPF Fault Lv6 Regeneration Needed	0x64	Alarming--DPF6 level	Operate DPF of the engine
0x65 Engine Fault	0x65	Engine Fault	Check engine maintenance manual,Conduct fault trouble shooting according to SPN
0x66 BPSCDNP	0x66	Fault of engine air inlet pressure sensor	Check the connector, sensor and the engine maintenance manual.
0x67 APP2SRC	0x67	Engine throttle pedal fault	Check the engine connector or sensor
0x68 OPSCD	0x68	Fault of the engine oil pressure	Check the connector, sensor and the engine maintenance manual.
0x69 BPSCD	0x69	Engine air intake pressure sensor fault	Check the engine connector or sensor



Display	Error code	Description	Solution
0×6A IATSCDSRC	0×6A	Engine air intake temperature sensor fault	Check the engine connector or sensor
0×6B CTSCD	0×6B	water temperature sensor fault	Check the engine connector or sensor
0×6C RAILCDOFSTST	0×6C	Rail pressure sensor failure	Check the engine connector or sensor
0×6D BATTCDSRC	0×6D	Battery voltage fault	Check the engine connector or sensor
0×6E OTSCD	0×6E	Oil temperature sensor fault	Check the engine connector or sensor
0×6F INJINI	0×6F	INJdriverIC initialization version number error	Check the engine connector or sensor
0×70 MSSCD	0×70	Multi-state switch signal failure	Check the engine connector or sensor
0×71 TECUSRC	0×71	ECU temperature sensor failure	Check the engine connector or sensor
0×72 INVLV CYL1	0×72	Injector 1 malfunction	Check the engine connector or sensor
0×73 NVLV CYL2	0×73	Injector 2 failure	Check the engine connector or sensor
0×74 INJLV CYL3	0×74	Injector 3 failure	Check the engine connector or sensor
0×75 INVLV CYL4	0×75	Injector 4 malfunction	Check the engine connector or sensor
0×76 MEUNCD	0×76	Fuel gauge failure	Check the engine connector or sensor
0×77 ENGSPD	0×77	Engine speed signal failure	Check the engine connector or sensor
0×78 FANCDSP	0×78	Cooling fan speed failure	Check the engine connector or sensor
0×79 STRTCDLSSC	0×79	Starter motor relay failure	Check the engine connector or sensor
0×7A ENGPRTOVRSPD	0×7A	Engine speed overspeed	Check the engine connector or sensor
0×7B HWEMONEEPRO M	0×7B	EEPROM read error	Check the engine connector or sensor
0×7C AIRHT	0×7C	Intake heating normally open failure	Check the engine connector or sensor
0×7D ENGMCAS	0×7D	Missing camshaft signal	Check the engine connector or sensor
0×7E ENGMCRS	0×7E	Missing crankshaft signal	Check the engine connector or

Display	Error code	Description	Solution
			sensor
0×7F COMT5OST	0×7F	dec1 message t50 signal Receive error	Check the engine connector or sensor
0×80 GEARDETERR	0×80	The idle sleep switch does not work properly when the ecu powered on	Check the engine connector or sensor
0×81 ECBTCDPLAUS	0×81	Start / stop button stuck under car	Check the engine connector or sensor
0×82 FRMMNGTRF1	0×82	can receive trf1 data amount error	Check the engine connector or sensor
0×83 COMGPSDRV	0×83	t15 The time when the engine speed is 0 without powering off exceeds a certain value	Check the engine connector or sensor
0×84 RAILME	0×84	The amount of fuel in the fuel gauge exceeds the threshold	Check the engine connector or sensor
0×85 NETMNGCANA	0×85	Can communication error	Check the engine connector or sensor
0×86 FRMMNGEBC1	0×86	can receive frame ebc1 data length error	Check the engine connector or sensor
0×87 FRMMNGEBC2	0×87	Data length error	Check the engine connector or sensor
0×88 MNGENGTEMP2	0×88	CAN receive EngTemp2 data volume error	Check the engine connector or sensor
0×89 FRMMNGERC1DR	0×89	can receive frame erc1dr data volume error	Check the engine connector or sensor
0×8A FRMMNGETC1	0×8A	etc1 message data length error	Check the engine connector or sensor
0×8B FRMMNGETC2	0×8B	Can receive frame etc2 data amount error	Check the engine connector or sensor
0×8C FRMMNGRXCCVS	0×8C	RxCCVS message data length error	Check the engine connector or sensor
0×8D FRMMNGTCO1	0×8D	can receive frame tco1 message length error	Check the engine connector or sensor
0×8E FRMMNGTSC1AE	0×8E	can receive frame tsc1ae Data volume error	Check the engine connector or sensor
0×8F FRMMNGTSC1AR	0×8F	can receive frame tsc1ar Data volume error	Check the engine connector or sensor
0×90 FRMMNGTSC1DE	0×90	can receive frame ttsc1de	Check the engine connector or

Display	Error code	Description	Solution
		data volume error	sensor
0x91 FRMMNGTSC1DR	0x91	can receive frame tsc1dr Data volume error	Check the engine connector or sensor
0x92 FRMMNGTSC1PE	0x92	cantotsc1pe data Volume error	Check the engine connector or sensor
0x93 FRMMNGTSC1TE	0x93	cantotsc1te data Volume error	Check the engine connector or sensor
0x94 FRMMNGTSC1TR	0x94	cantotsc1tr data Volume error	Check the engine connector or sensor
0x95 FRMMNGTSC1VE	0x95	cantotsc1ve data Volume error	Check the engine connector or sensor
0x96 FRMMNGTSC1VR	0x96	Cantotsc1vr data Wrong quantity	Check the engine connector or sensor
0x97 FRMMNGHRVD	0x97	Can receives frame HRVD Wrong data volume	Check the engine connector or sensor
0x98 FRMMNGDASHDSP	0x98	CAN receives frame DashDspl data error	Check the engine connector or sensor
0x99 FRMMNGEGF1	0x99	Can receives frame EGF1 data error.	Check the engine connector or sensor
0x9A FRMMNGCMIDLC	0x9A	Can receives frame CM1 data error	Check the engine connector or sensor
0x9B FRMMNGDEC1	0x9B	Can receives frame DEC1 data error	Check the engine connector or sensor
0x9C FRMMNGETC7	0x9C	Can receives frame etc7 data error	Check the engine connector or sensor
0x9D FRMMNGAPP	0x9D	Bus to receive throttle signal overrun	Check the engine connector or sensor
0x9E FRMMNGREMAPP	0x9E	Bus to receive remote throttle signal overrun	Check the engine connector or sensor
0x9F COMGPS	0x9F	DEC1 message T50 signal Receiving error	Check the engine connector or sensor
0xA0 Gener Fault	0xA0	Generator Malfunction	Check the generator or generator connectors
0xA1 BATTVLTGERR	0xA1	High battery voltage	Check the engine connector or sensor
0xA2 ENGOVERHEAT	0xA2	Overheat of the engine	Check the engine connector or sensor
0xA3 WATERTEMPHIGH	0xA3	Coolant temp too high	Check the connector, sensor and the engine maintenance manual.
0xA4 WATERTEMPLOW	0xA4	Coolant temp too low	Check the connector, sensor and

Display	Error code	Description	Solution
			the engine maintenance manual.
0xA5 BATVOL_HIGH	0xA5	High voltage of the battery	Check the connector, sensor and the engine maintenance manual.
0xA6 ENGOVERRUN	0xA6	Engine over the running speed	Check the connector, sensor and the engine maintenance manual.
0xA7 SENVOLT_LOW	0xA7	Low voltage of the sensor	Check the connector, sensor and the engine maintenance manual.
0xA8 ACTUATORFAULT	0xA8	Fault of the actuator	Check the connector, sensor and the engine maintenance manual.
0xA9 SPEEDSENFALT	0xA9	RPM sensor fault	Check the connector, sensor and the engine maintenance manual.

To order go to [Discount-Equipment.com](http://Discount-Equipment.com)

## Chapter 6 Pre-Operation Check

To order go to [Discount-Equipment.com](http://Discount-Equipment.com)

## 6.1 No Operation Except Following Cases

You have understood and practiced the principles about safe operation of the machine in this manual.

- 1) Avoid dangerous situations.
- 2) Always perform a pre-operation inspection.
- 3) Check the work place.
- 4) Always perform a pre-use functional test.
- 5) Use the machine only for its intended purpose.

## 6.2 Basic Principles

- 1) The operator is responsible for checks before operation and routine maintenance.
- 2) The check before operation is an intuitive check process performed by the operator prior to each shift. The purpose of the check is to find out if there is an obvious problem with the machine before the operator performs a functional test.
- 3) The check before operation is also used to determine if routine maintenance procedures are required. The operator is only allowed to perform routine maintenance items as specified in this manual.
- 4) Please refer to the list on the next page and check for changes, damage, loose or missing parts for each item and location.
- 5) A damaged or modified machine shall not be used. If damages or any unauthorized changes are found, the machine shall be tagged out and not operated.
- 6) Only qualified repair technicians can repair machines as required by the manufacturer. After repair, the operator must perform check before operation again before performing the functional test.
- 7) Regular repair and check shall be performed by qualified repair technicians in accordance with the manufacturer's specifications and the requirements listed in the responsibility manual.

## 6.3 Check Before Operation

- 1) Ensure the manual is complete, legible and stored in the document box on the platform.
- 2) Ensure all decals are clear, legible and properly positioned. See the decal section.
- 3) Check engine oil leakage and oil level appropriateness. See the "Repair" section.
- 4) Check for hydraulic oil leakage and proper oil level. Fill as needed. See the "Repair" section.
- 5) Check for engine coolant leakage and proper coolant level. Add coolant as needed. See the "Repair" section.
- 6) Check for battery leakage and proper electrolyte level. Add distilled water as needed. See the "Repair" section
- 7) Check the following components or areas for damage, improper installation or missing parts and unauthorized changes:
  - Electrical components, harnesses and cables
  - Hydraulic hoses, connectors, valve blocks and hydraulic cylinders
  - Fuel and hydraulic tanks
  - Wear pads
  - Tires and wheels
  - Engine and related components
  - Limit switches, alarms and horns
  - Nuts, bolts and other fasteners
  - Platform extension components
  - Platform entrance door
  - Indicators and alarms
  - Safety arm
  - Pins and fasteners
  - Platform control handle
  - Outrigger cover and foot pad
  - Check the entire machine for:
    - Cracks in welds or structural components
    - Indentation or damage to the machine

- Ensure that all structural components and other key components are complete and all relevant fasteners and pins are in the correct position and tightened.
- Ensure that the guardrail has been installed, and guardrail bolts have been properly installed and tightened.



**Note: If the platform must be**

**raised to check the machine, ensure the safety arm is in the correct position. See the "Operation Instructions" section.**

To order go to [Discount-Equipment.com](http://Discount-Equipment.com)

## Chapter 7 Workplace Check

To order go to [Discount-Equipment.com](http://Discount-Equipment.com)



## 7.1 No Operation Is Allowed

### Unless

You have known and practiced the rules for safe operation of machine in the Operation Manual.

- 1) Avoid dangerous situations.
- 2) Always perform a pre-operation inspection.
- 3) Check the workplace. You should understand pre-operation inspection before proceeding with the next step.
- 4) Always perform a pre-use functional test.
- 5) Use the vehicle only for its intended purpose.

## 7.2 Basic Principles

- 1) Workplace inspection will help the operator determine if the workplace is safe for operation of the vehicle. The operator should perform pre-operation inspection before moving the vehicle to the workplace.
- 2) It is the operator's responsibility to understand and remember the hazards in the workplace and to be aware of and avoid these hazards when moving, installing and operating the vehicle.

## 7.3 Workplace Inspection

Beware and avoid the following dangerous situations

- 1) Steep slope or holes
- 2) Protrusions, ground obstacles or debris
- 3) Uneven surface
- 4) Unstable or smooth surface
- 5) Overhead obstacles and high voltage wires
- 6) Dangerous location
- 7) Surface support that is not sufficient to withstand the full load applied by the vehicle
- 8) Wind and weather conditions
- 9) Unauthorized personnel
- 10) Other possible unsafe conditions

## Chapter 8 Functional Test

To order go to [Discount-Equipment.com](http://Discount-Equipment.com)

## 8.1 No Operation Is Allowed Unless

You have understood and practiced the principles about safe operation of the vehicle in this manual.

- 1) Avoid dangerous situations.
- 2) Always perform a pre-operation inspection.
- 3) Check the workplace.
- 4) Always perform a pre-use functional test.
- 5) You should understand the functional test and inspection before proceeding with the next step.
- 6) Use the vehicle only for its intended purpose.

## 8.2 Basic Principles

- 1) Functional tests are used to detect faults before operating the vehicle.
- 2) The operator must follow the steps to test all the functions of the vehicle.
- 3) Do not use a malfunctioning vehicle. If a fault is found, the vehicle must be marked and stopped.
- 4) Only qualified authorized service technicians are allowed to maintain the vehicle according to the manufacturer's instructions.
- 5) After maintenance is completed, the operator must perform the pre-operation inspection and functional test again before operating the vehicle.

## 8.3 Functional Test

- 1) Choose a test place that is solid, level and free of obstacles.

## 8.4 Test on the Ground Control Station

- 1) Pull the red emergency shutdown button on the platform and ground out to the "On" position.
- 2) Turn the key switch to the Ground Control Station.

Result: The LCD screen will light up and show SYSTEM READY.

Note: LCD reading display needs to be preheated before display under cold weather conditions.

- 3) Start the engine.

### Emergency Shutdown Test

- 1) Push the red emergency shutdown button on the ground inwards to the "Off" position.

Result: The engine will be shut down without running any function.

- 2) Pull the red emergency shutdown button out to the "On" position and restart the engine.

### Lifting/Lowering Functions Test

The audible alarm on the machine and the standard horn is from the same alarm. The horn makes a continuous sound. The lowering alarm sounds 60 times per minute. The alarm sounds 180 times per minute when the machine is tilted.

- 1) Do not press the lowering and lifting start button. Press and hold the platform lifting button.

Result: The platform shall not lift.

- 2) Press and hold the enabling button with lifting functions. Press and hold the platform lifting button.

Result: The platform shall lift.

- 3) Press and hold the enabling button with lowering functions. Press and hold the platform lowering button.

Result: The platform shall lower. When the platform lowers, the lowering alarm shall sound.

### Emergency Descent Function Test

- 1) Press and hold enabling button with lifting functions while raising the platform by about 0.6m/1.97ft.
- 2) Push the red emergency shutdown button on the ground inwards to the off position and turn off the engine.
- 3) Pull the red emergency shutdown button out to the on position.
- 4) Press and hold the emergency descent

button. Press and hold the platform lowering button.

Result: The platform shall lower.

- 5) Turn the key switch to the Platform Control Station and restart the engine.

## 8.5 Platform Control Station Test

### Emergency Shutdown Test

- 1) Push the red emergency shutdown button on the platform to the "Off" position.

Result: The engine shall be turned off and all functions shall be disabled.

- 2) Pull the red emergency shutdown button out to the "On" position.

Result: The indicator will be green.

### Horn Test

- 1) Press the horn button.
- 2) Result: The horn will sound.

### Lifting/Lowering Functions and Function Enabling Test

- 1) Start the engine.
- 2) Press the enable switch and push the lifting/lowering control handle backward.

Result: The platform shall not lift.

- 3) Press the enabling button with lifting functions.
- 4) Press the enable switch and push the lifting/lowering control handle backward.

Result: The platform shall lift.

- 5) Press the enabling button with lifting functions.
- 6) Press the enable switch and push the lifting/lowering control handle forward.

Result: The platform shall lower. When the platform lowers, the lowering alarm shall sound.

### Steering Test



**Notice: When performing steering and driving function tests, stand in the**

**middle of the platform and face the steering end of the machine.**

- 1) Press the driving function button.
- 2) Press and hold the enabling switch on the control handle.
- 3) Press the thumb rocker switch at the top of the control handle in the direction indicated by the blue triangle on the control panel.

Result: The steering wheels shall turn in the direction indicated by the blue triangle on the control panel.

- 4) Press the thumb rocker switch in the direction indicated by the yellow triangle on the control panel.

Result: The steering wheel shall turn in the direction indicated by the yellow triangle on the control panel.

### Drive and Brake Functions Test

- 1) Press the driving function button.
- 2) Press and hold the enabling switch on the control handle.
- 3) Move the control handle slowly until the machine starts to move in the direction indicated by the blue arrow on the control panel and return the handle to the center position.

Result: The machine shall move in the direction indicated by the blue arrow on the control panel and then stop suddenly.

- 4) Press and hold the enabling switch on the control handle.
- 5) Move the control handle slowly until the machine starts to move in the direction indicated by the yellow arrow on the control panel and return the handle to the center position.

Result: The machine shall move in the direction indicated by the yellow arrow on the control panel and then stop suddenly.



**Notice: On any slope the machine can climb, the brakes must be able to hold the machine stationary.**

### Reduced Driving Speed Test

- 1) Raise the platform.
- 2) Press and hold the enabling switch on the control handle.
- 3) Slowly move the control handle up to the full driving position.

Result: When the platform is raised, the maximum driving speed shall not exceed 1.1Km/h/0.628mph.

When the platform is raised, the maximum driving speed of SR3369D/SR4069D shall not exceed 0.5Km/h/0.28mph.

If the maximum driving speed exceeds 1.1Km/h/0.628mph when the platform is raised, please tag out the machine immediately and stop operating it.

### 8.6 Tilt Sensor Operation Test



**Notice: The test is performed from the ground with a remote Platform Control Station. Do not stand inside the platform.**

- 1) Lower the platform completely.
- 2) Drive two wheels on one side to an obstacle or curb with height of 0.18m/0.59ft.
- 3) Raise the platform to a height which is about 3.6m/11.81ft off of the ground.

Result: The platform is stopped and the tilt alarm sounds 180 times per minute. The indicator of enabling button of lifting function will be in red.

- 4) Move the drive control handle in the direction indicated by the blue arrow, and move it to the direction indicated by the yellow arrow.

Result: The drive function shall not work in either direction.

- 5) Lower the platform and drive the machine away from the obstacle.

### 8.7 Upper Limit Switch and Outriggers (If Equipped) Test

- 1) Raise the platform.

Result: The platform of SR4390D/SR5390D shall be raised to 8.5m/27.9ft and then stopped.

The platform of SR3390D shall be raised to 10m/32.8ft and then stopped.

The platform of SR4390D/SR5390D shall not be raised more than 8.5m/27.9ft unless the outriggers have been extended.

- 2) Lower the platform.
- 3) Press and hold the automatic leveling button.
- 4) Move the control handle to the backward direction.

Result: The outrigger shall be deployed to level the machine. When the machine is level, the alarm will sound.

- 5) Raise the platform.

Result: The platform shall be raised to the highest point.

- 6) Lower the platform.
- 7) Raise the loaded platform when the outrigger is extended.

Result: The platform shall be raised to the highest point.

- 8) Raise the loaded platform when the outrigger is retract.

Result: The platform of SR4390D/SR5390D shall not be raised more than 8.5m/27.9ft.

## Chapter 9 Operation Instructions

To order go to [Discount-Equipment.com](http://Discount-Equipment.com)


## 9.1 No Operation is Allowed Unless

You have understood and practiced the principles about safe operation of the vehicle in this manual.

- 1) Avoid dangerous situations.
- 2) Always perform a pre-operation inspection.
- 3) Check the workplace.
- 4) Always perform a pre-use functional test.
- 5) Use the vehicle only for its intended purpose.

## 9.2 Basic Principles

- 1) The machine is a rough terrain hydraulic lift equipped with work platform on a scissors mechanism. Vibration produced by the operation of machine has no danger to the operator on the work platform. The machine can carry staff and portable tools to the place in a certain height from the ground, or to the working area on the machine or equipment.
- 2) The Operating Instructions section provides specific instructions for all aspects of vehicle operation. It is the operator's responsibility to follow all safety rules and instructions in this manual.
- 3) This machine is designed for lifting workers and tools to the overhead workplace, it is unsafe or even dangerous to use the vehicle for other purposes.

 **Notice: This machine is strictly prohibited from carrying loads.**

- 4) Only trained and authorized personnel can operate the vehicle. If more than one operator uses the same vehicle at different times during the same work shift, they must be qualified operators and follow all safety rules and instructions in the Operation and Maintenance Manual. This means that every new operator should perform pre-operation inspections, functional tests and workplace inspections before operating


the machine.

## 9.3 Emergency Stop

- 1) On the Ground Control Station or Platform Control Station, push the red emergency stop button to "Off" position to close all functions and shut down the engine.
- 2) If there is any functions operating after pushing the red emergency shutdown button, repair the function.

## 9.4 Engine startup

- 1) On the Ground Control Station, turn the key switch to the needed position.
- 2) Make sure that the ground and platform red emergency stop buttons are pulled out to "On" position.
- 3) Press the engine startup button.

 **Notice: Before starting the engine at 10°C and lower temperatures, press and hold the glow plug for 5 to 10 seconds. The continuous use of the glow plug is limited to 20 seconds(This operation applies to Model SR3369D and SR4069D).**

 **Notice: SR3390D/SR4390D/**

**SR5390D engine can be automatically preheated at low temperatures. The engine can be preheated only when the whole vehicle is powered on.**

If the primary startup time is no more than 5 - 10 seconds (continuous working time of starter motor shall be no more than 15 seconds), and if it fails to be started and needs to be started again, the interval shall be more than 1 minute. If it fails to be started for three times, identify the reason and repair the fault. Wait for 60 seconds before attempting to start it again.

At -6°C and lower, idle the engine for 5 minutes before operation to the engine is lubricated fully and prevent damage to the hydraulic system.

At extremely low temperatures of -18 °C and lower, the machine must be equipped with a low-temperature starter kit option. If the engine is started at the temperature lower than -18 °C, it may need to use a booster battery.

### 9.5 Operation from Ground

- 1) Turn the key switch to the Ground Control Station.
- 2) The ground and platform red emergency stop buttons are pulled out to "On" position.
- 3) Start the engine.

#### Adjustment of Platform Position

- 1) Press and hold the enabling button for lifting functions.
- 2) Press and hold the lifting or lowering button.
- 3) The drive and turning function cannot be operated from the Ground Control Station.

#### Idling Selection of Engine

Press the idling selection button to select the engine idling (rpm). Provide two idling settings of engine.

The indicator is off: low idling.

The indicator is on: high idling.

### 9.6 Operation from Platform

- 1) Turn the key switch to the Platform Control Station.
- 2) The ground and platform red emergency stop buttons are pulled out to "On" position.
- 3) Start the engine.

#### Adjustment of Platform Position

- 1) Press the enabling button of lifting function.
- 2) Press the enable switch and push the lifting/lowering control handle in needed direction. The platform will raise when the control handle is moved to the backward, or lower when the control handle is moved to the forward.

#### Steering

- 1) Press the driving function button.
- 2) Press and hold the enabling switch on the

control handle.

- 3) Turn the steering wheels using the thumb rocker switch on the top of control handle.

#### Drive

- 1) Press the driving function button.
- 2) Press and hold the enabling switch on the control handle.
- 3) Acceleration: Move the control handle slowly away from the center position.
- 4) Deceleration: Move the control handle slowly toward the center position.
- 5) Stop: Return the control handle to the center position or release the function enabling switch.
- 6) Use the direction arrow on the Platform Control Station and platform to verify the direction the machine is to be moved.
- 7) The machine drive speed is limited when the platform is elevated.

#### Drive Selection Switch

Symbols of machine on the slope: Please operate it within low speed scope when it is tilted.

#### The Indicator is in Red



If the indicator is in red, please press and pull out the red emergency stop button to reset the system.

If the lamp is still red, tag out the machine and stop operating it.

### 9.7 Drive on Slope

Determine rated value and grade of slope and side slope of the machine. The rated value of slope is applicable to the folding machine.



SR3369D/SR4069D :

 Maximum rated value of slope in folding position.	35% (19.3 °)
 Maximum rated value of side slope in	35% (19.3 °)



folding state.

SR3390D/SR4390D/SR5390D:

 Maximum rated value of slope in folding position.	40% (22 °)
 Maximum rated value of side slope in folding state.	40% (22 °)



**Notice: Rated value of slope is**

**limited by the ground conditions and traction.**

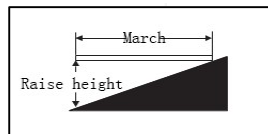
- 1) Determination of grade: Measure the slope with a digital inclinometer or follow the steps below.
- 2) Tools required: Carpenter's ruler, straight block with a length of at least 1m/3.28ft, tape measure.
- 3) Place the block on the slope. Place the carpentry's ruler on the upper edge of the block at the end of the downhill slope and raise the end of the block until it is level.

Keep the block level and measure the vertical distance from the bottom of the block to the ground.

Divide the tape measure distance (the raised height) by the block length (travel) and multiply by 100.

Example:

Wood block = 11.8ft  
 Travel = 11.8ft  
 Raised height = 0.98ft  
 $0.98/11.8=8.3\%$  rating



- 4) If the slope exceeds the maximum uphill, downhill or side slope rating, the vehicle must be lifted or transported up and down the slope. See the Transportation and Lifting section for further instructions on transporting the machine.

## 9.8 Platform Extension and Retraction

- 1) Raise the extension lock handle of the platform to the upper limit position (about 80 °) of handle.
- 2) Push the extension lock handle of the platform to extend the platform to the required position.
- 3) Do not stand on the extension platform when extending the platform.
- 4) Press the extension lock handle of the platform to make the upper and lower truss plate engage with each other, to lock the extension platform.

## 9.9 Emergency Descent

- 1) When unable to lower the platform normally due to a fault, enable the emergency descending function. Simultaneously press the auxiliary function enabling button and the auxiliary descent button to lower the platform.

## 9.10 Using Platform Control Station to Operate on the Ground

- 1) Maintain a safe distance among operator, machine and stationary objects.
- 2) Pay attention to the forward direction of machine when using the control station.

## 9.11 Outrigger Operation

- 1) Put the machine in an accepted operation area.

**Notice: The engine must be running to operate the outriggers.**

- 2) Press and hold the automatic leveling button.

- 3) Press the enable switch and push the lifting/lowering control handle in the direction of yellow arrow. Outriggers will be extended to level the machine. The machine will give a warning tone when it is level.
- 4) If only one outrigger is extend, the indicator for the enabling button of lifting function will be in red. All drive and lifting functions are forbidden.
- 5) When all outriggers contact the ground securely, the indicators of the enabling buttons for the lifting functions and the single outrigger button will be in green.
- 6) The drive function is forbidden when the outrigger is extended.

#### Control of Single Outrigger

- 1) Press and hold one or more outrigger buttons.
- 2) Press the enable switch and push the lifting/lowering control handle for the outrigger to level the machine according to the desired direction.

### 9.12 Safety Arm Use

- 1) Raise the platform to a height which is about 3.2m/10.5ft away off of the ground.
- 2) Lift the safety arm and move it to the middle of scissors axle sleeve, rotate it upward until it is vertical.
- 3) Lower the platform height until the safety arm contacts the axle sleeve completely.

### 9.13 Auxiliary Descent

#### (If equipped)

When unable to lower the platform normally due to a fault, pull the cable assembly that is located at the rear of the machine outward.  
Result: The platform will lower.

### 9.14 Fall Protection

- 1) Personal falling protection equipment (PFPE) is not required during machine operation. If PFPE is required in the

workplace or user rules, obey the following regulations:

- 2) All PFPEs must comply with corresponding government regulations and must be subject to check and use in accordance with the manufacturer's instructions.

### 9.15 After Each Use

- 1) Select a safe parking position, which must be solid horizontal ground without an obstacle and avoid places with busy transportation.
- 2) Lower the platform.
- 3) Turn the key switch to the "Off" position and remove the key to avoid unauthorized use.
- 4) Lock the wheels.

## **Chapter 10 Transportation and Lifting Instructions**

To order go to [Discount-Equipment.com](http://Discount-Equipment.com)

### 10.1 Compliance

- 1) When the machine is lifted by a crane or forklift, keep normal judgment and planning to control the movement of machine.
- 2) Only personnel with high-altitude lifting qualifications can load and unload the machine.
- 3) The transport vehicle must be parked on a level surface.
- 4) When loading the vehicle, the transport vehicle must be fixed to prevent movement.
- 5) Make sure the transport vehicle's capacity, loading surface, chains or belts are sufficient to withstand the weight of the vehicle. Refer to the nameplate for the weight of the vehicle.
- 6) Before releasing the brakes, the machine must be on level ground or have been secured in place.
- 7) 6) Do not drive the vehicle on a slope that exceeds the vehicle's uphill, downhill or slope rating. Refer to "Drive on the Slope" in the "Operation Instructions" section.
- 8) If the slope of the transport vehicle exceeds the maximum slope rating, the winch must be used to load and unload the vehicle as specified.
- 9) Prevent the plug from falling from the guardrail when it is taken off. Grasp the guardrail firmly when folding it.

### 10.2 Freewheel configuration for trailers

- 1) Wedge the wheel to prevent the vehicle from moving.

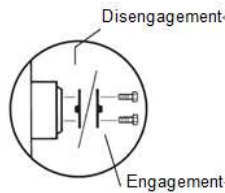


Figure 10-1 Brake release

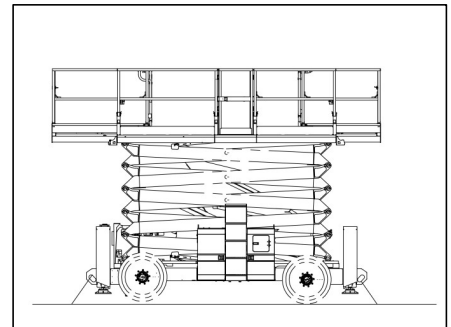
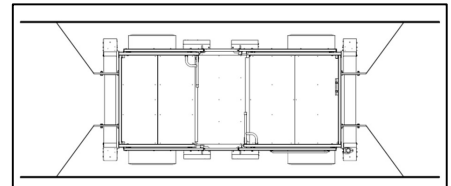
- 2) Turn over all driving wheel hub separating covers to release wheel brakes, as shown in Figure 10-1.
- 3) Make sure that the winch cable is properly secured to the fastening point of the drive chassis and that there are no obstacles in the moving direction.
- 4) Reverse the above procedures to reengage the brakes.

### 10.3 Securing on Trucks or Trailers During Transportation

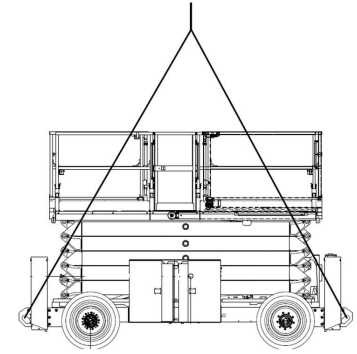
- 1) Always lock the wheels of the platform when preparing for transportation.
- 2) Secure the machine on the transport surface using the fastening positions on the chassis.
- 3) Use at least 4 chains or belts. Ensure each chain or belt has sufficient load strength.
- 4) Turn the key switch to the "Off" position and remove the key before transportation.

### 10.4 Ensuring Transportation Safety

- 1) Always lock the platform wheels when preparing for transportation.



- 2) Retract and secure the extension platform.
- 3) Before transportation, turn the key switch to the "Off" position and remove the key.
- 4) Thoroughly check the machine for any loose or unsecured components.
- 5) Secure the machine on the transport surface using the fastening positions on the chassis.
- 6) Use at least 4 chains or belts.
- 7) Ensure each chain or belt used has sufficient load strength.
- 8) If the railing has been folded, use a belt to secure it before transportation.



**Compliance**

- 1) Only qualified rigging personnel are allowed to assemble slings and lift the platform.
- 2) Make sure that the crane's lifting capacity, loading surface, belt or rope is sufficient to withstand the weight of the vehicle. Refer to the decal and nameplate for the weight of the vehicle.

**10.5 Lifting guidance**

- 1) Lower the platform completely. Ensure that the extension platform, control unit and chassis tray are safely and reliably secured. Remove all loose components from the platform.
- 2) Only connect the lifting sling to the specified lifting point of the platform.
- 3) Adjust the lifting sling to avoid damaging the platform and keep the platform to be horizontal.

To order go to [DiscountEquipment.com](http://DiscountEquipment.com)

California Proposition 65



**WARNING**

Operating, servicing and maintaining this equipment can expose you to chemicals including engine exhaust, carbon monoxide, phthalates, and lead, which are known to the State of California to cause cancer and birth defects or other reproductive harm. These chemicals can be emitted from or contained in other various parts and systems, fluids and some component wear by-products. To minimize exposure, avoid breathing exhaust, do not idle the engine except as necessary, service your equipment and vehicle in a well-ventilated area and wear gloves or wash your hands frequently when servicing your equipment or vehicle and after operation. For more information go to [www.P65Warnings.ca.gov/passenger-vehicle](http://www.P65Warnings.ca.gov/passenger-vehicle).

Breathing diesel engine exhaust exposes you to chemicals known to the State of California to cause cancer and birth defects or other reproductive harm.

- Always start and operate the engine in a well-ventilated area.
- If in an enclosed area, vent the exhaust to the outside.
- Do not modify or tamper with the exhaust system.
- Do not idle the engine except as necessary.

For more information go to [www.P65warnings.ca.gov/diesel](http://www.P65warnings.ca.gov/diesel).

**TO PURCHASE THIS PRODUCT PLEASE CONTACT US**



**Equipment Financing and  
Extended Warranties Available**



**Discount-Equipment.com is your online resource for  
commercial and industrial quality parts and equipment sales.**

**561-964-4949**

**visit us on line @ [www.discount-equipment.com](http://www.discount-equipment.com)**

Select an option below to find your Equipment

**Search by Manufacturer**

**Search by Product Type**

**Request a Quote**

We sell worldwide for the brands: Genie, Terex, JLG, MultiQuip, Mikasa, Essick, Whiteman, Mayco, Toro Stone, Diamond Products, Generac Magnum, Airman, Haulotte, Barreto, Power Blanket, Nifty Lift, Atlas Copco, Chicago Pneumatic, Allmand, Miller Curber, Skyjack, Lull, Skytrak, Tsurumi, Husquvarna Target, Stow, Wacker, Sakai, Mi-T-M, Sullair, Basic, Dynapac, MBW, Weber, Bartell, Bennar Newman, Haulotte, Ditch Runner, Menegotti, Morrison, Contec, Buddy, Crown, Edco, Wyco, Bomag, Laymor, EZ Trench, Bil-Jax, F.S. Curtis, Gehl Pavers, Heli, Honda, ICS/PowerGrit, IHI, Partner, Imer, Clipper, MMD, Koshin, Rice, CH&E, General Equipment, Amida, Coleman, NAC, Gradall, Square Shooter, Kent, Stanley, Tamco, Toku, Hatz, Kohler, Robin, Wisconsin, Northrock, Oztec, Toker TK, Rol-Air, APT, Wylie, Ingersoll Rand / Doosan, Innovatech, Con X, Ammann, Mecalac, Makinex, Smith Surface Prep, Small Line, Wanco, Yanmar



[www.Discount-Equipment.com](http://www.Discount-Equipment.com)

SR3369D/SR4069D/SR3390D/  
SR4390D/SR5390D

Mobile Elevating Work Platform  
Operation and Safety Manual

Second Edition – July 2021



**LGMG North America Inc.**

To order go to [Discount-Equipment.com](http://Discount-Equipment.com)