



REVISED STARTING
SERIAL # 081210014

PARTS LIST MANUAL

MODEL SS26-38K



Gasoline Powered 38 H.P. Kohler Command Pro Self-Propelled Concrete & Asphalt Saw

SAW SET-UP OPTIONS

SKU NUMBER	BLADE GUARD SIZE	BLADE SPEED
31400-30	30 INCH	1900 RPM
31400-26	24 - 26 INCH	2100 RPM
31400-20	18 - 20 INCH	2100 RPM
31400-16	14 - 16 INCH	2750 RPM



A Division of Equipment Development Company, Inc.

PARTS FINDER

**Search Website
by Part Number**



**Search Manual
Library For Parts
Manual & Lookup Part
Numbers – Purchase
or Request Quote**

Search Manuals

Enter your information to help us find the right parts manual for your machine.

* Brand:

* Model:

* Serial:

* Part Number:

SEARCH

**Can't Find Part or
Manual? Request Help
by Manufacturer,
Model & Description**

Parts Order Form

Please fill in the following information to help us find the right part for your machine.

Manufacturer:	<input type="text"/>
Model:	<input type="text"/>
Description:	<input type="text"/>
Part Number:	<input type="text"/>
Quantity:	<input type="text"/>
Notes:	<input type="text"/>

Discount-Equipment.com is your online resource for quality parts & equipment.

Florida: **561-964-4949** Outside Florida TOLL FREE: **877-690-3101**

Need parts?

Click on this link: <http://www.discount-equipment.com/category/5443-parts/> and choose one of the options to help get the right parts and equipment you are looking for. Please have the machine model and serial number available in order to help us get you the correct parts. If you don't find the part on the website or on one of the online manuals, please fill out the request form and one of our experienced staff members will get back to you with a quote for the right part that your machine needs.

We sell worldwide for the brands: Genie, Terex, JLG, MultiQuip, Mikasa, Essick, Whiteman, Mayco, Toro Stone, Diamond Products, Generac Magnum, Airman, Haulotte, Barreto, Power Blanket, Nifty Lift, Atlas Copco, Chicago Pneumatic, Allmand, Miller Curber, Skyjack, Lull, Skytrak, Tsurumi, Husquvarna Target, Stow, Wacker, Sakai, Mi-T-M, Sullair, Basic, Dynapac, MBW, Weber, Bartell, Bennar Newman, Haulotte, Ditch Runner, Menegotti, Morrison, Contec, Buddy, Crown, Edco, Wyco, Bomag, Laymor, EZ Trench, Bil-Jax, F.S. Curtis, Gehl Pavers, Heli, Honda, ICS/PowerGrit, IHI, Partner, Imer, Clipper, MMD, Koshin, Rice, CH&E, General Equipment, Amida, Coleman, NAC, Gradall, Square Shooter, Kent, Stanley, Tamco, Toku, Hatz, Kohler, Robin, Wisconsin, Northrock, Oztec, Toker TK, Rol-Air, APT, Wylie, Ingersoll Rand / Doosan, Innovatech, Con X, Ammann, Mecalac, Makinex, Smith Surface Prep, Small Line, Wanco, Yanmar

READ AND UNDERSTAND THE OPERATORS INSTRUCTION MANUAL THOROUGHLY BEFORE ATTEMPTING TO OPERATE THIS EQUIPMENT. Death or serious injury could occur if this machine is used improperly.



SAFETY MESSAGES



The safety instructions are preceded by a graphic alert message of DANGER, WARNING, or CAUTION.



Indicates an imminent hazard which, if not avoided, will result in death or serious injury.



Indicates an imminent hazard which, if not avoided, can result in death or serious injury.



Indicates hazards which, if not avoided, could result in serious injury and or damage to the equipment.

GASOLINE Powered Equipment



- Do not operate gasoline powered equipment without adequate ventilation. Carbon monoxide is an invisible, odorless gas that can kill.

ELECTRICAL Powered Equipment



- ELECTRICAL HAZARD** - Be sure equipment is properly grounded. Failure to comply could kill or result in serious injury.



The engine exhaust from this product contains chemicals known to the State of California to cause cancer, birth defects or other reproductive harm.

GENERAL INSTRUCTIONS



- You must read and understand the operators instruction manual and all other manuals associated with this machine. For your safety and the safety of others around you, it is extremely important to fully understand how to operate this machine in the way it was intended. Different model machines or older/newer versions of the same model may have different parts and controls that you need to understand. If instructions are not readable or available DO NOT USE this machine and contact Discount-equipment for a replacement Manual.
- You must be able to physically handle the bulk weight and power of this machine. If not properly controlled this machine can cause death or serious injury.
- Do not operate this machine in an impaired mental state. You must be able to exercise good judgement and reactions to maintain a safe working environment.
- This is a "one person" machine which means only one operator can be operating the machine at any one time. For the safety of others, maintain a safe operating distance to other personnel. Your work area should be defined and appropriately marked so bystanders and coworkers do not stand or walk near this machine and end up seriously injured by flying debris or exposing them to harmful noise or dust.
- This equipment is for Commercial use. Although this is a "one person" machine your work team should understand how to shut this machine off and quickly get medical help if an accident strikes the operator.
- Keep all guards in place during operation. The guards are to provide protection from inadvertent contact with dangerous moving parts, pinch points, or hot surfaces.
- Wear appropriate Personal Protective Equipment (PPE) including safety glasses, safety boots, work gloves, respiratory protection, hearing protection, and head protection. Do not wear loose clothing that can get tangled in moving parts. Failure to do so could result

in dismemberment or death. **Wear an approved respirator when removing hazardous materials or when grinding/cutting dry materials. Some dust particles such as concrete dust can contain silicate particles which can cause silicosis (a very serious lung disease). Contact NIOSH or OSHA for further details. When wet grinding/cutting, avoid contact with the concrete/asphalt slurry which can cause serious skin irritations.**

- You must maintain this machine per the maintenance schedule in the operator manual. Remember before adjusting, servicing, or fueling this machine, disconnect the source of power to the machine by disconnecting the spark plug (Gas models), or by unplugging the electrical power cord (electric models) or air hose (Pneumatic models) AT THE MACHINE so you can assure yourself it remains unplugged while you are working on it. Do not modify this machine. Use only genuine EDCO parts and accessories. Repairs and service should be performed by approved EDCO dealers or authorized technicians.
- You should look carefully around the area before you begin work so you can identify potential hazards such as deck inserts, pipes, columns, openings, electrical cords or outlets, or any other objects protruding from the slab surface.
- This machine has no brain so you must use your own. There is no substitute for safety. The safety decals on the machine are to serve as a reminder for information you must already know before you begin using this machine. Take a moment to reread the safety decals each time you use the machine. If your machine is missing any decals, contact Discount-equipment for a replacement.

PARTS LIST MANUAL

MODEL SS26-38K

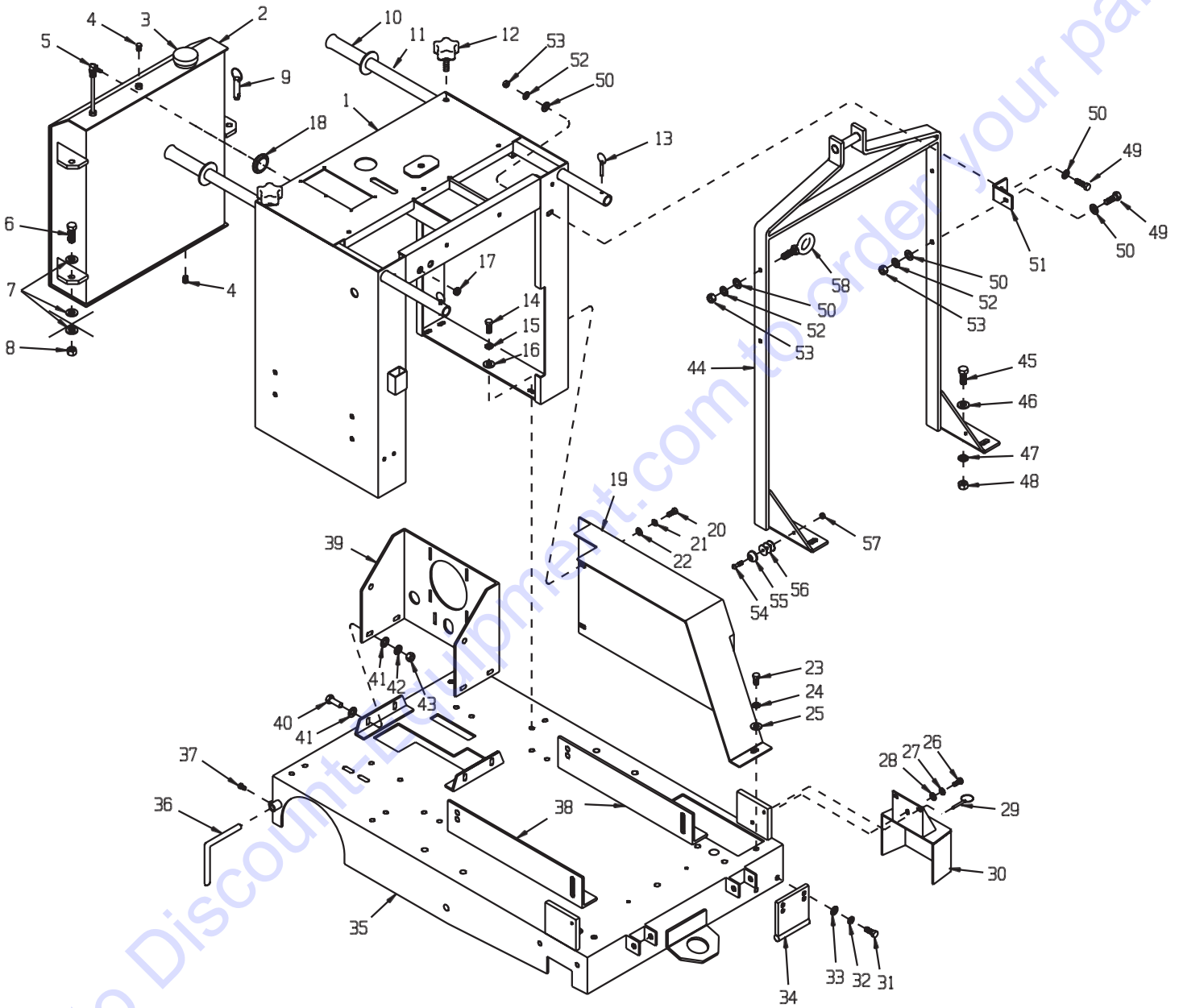
TABLE OF CONTENTS

<u>Section</u>	<u>Page Number</u>
Safety Messages & General Instructions	2
How To Order Replacement Parts	3
Illustration 1: Frame Grouping	4,5
Illustration 2: Lift Grouping	6,7
Illustration 3: Water Pump & Blade Guard Grouping	8,9
Illustration 4: Guide Bar Assembly	10
Illustration 5: Blade Depth Gauge Grouping	11
Illustration 6: Arbor Grouping	12
Illustration 7: Belt Drive Grouping	13
Illustration 8: Transmission Grouping	14,15
Illustration 9: Clutch & Rear Axle Grouping	16,17
Illustration 10: Engine Mount Grouping	18,19
Illustration 11: Engine Grouping	20,21
Illustration 12: Instrument Panel Grouping	22
Illustration 13: Wiring Diagram	23
Limited Equipment Warranty of Sale - Terms & Conditions	24 Back Cover



A Division of Equipment Development Company, Inc.

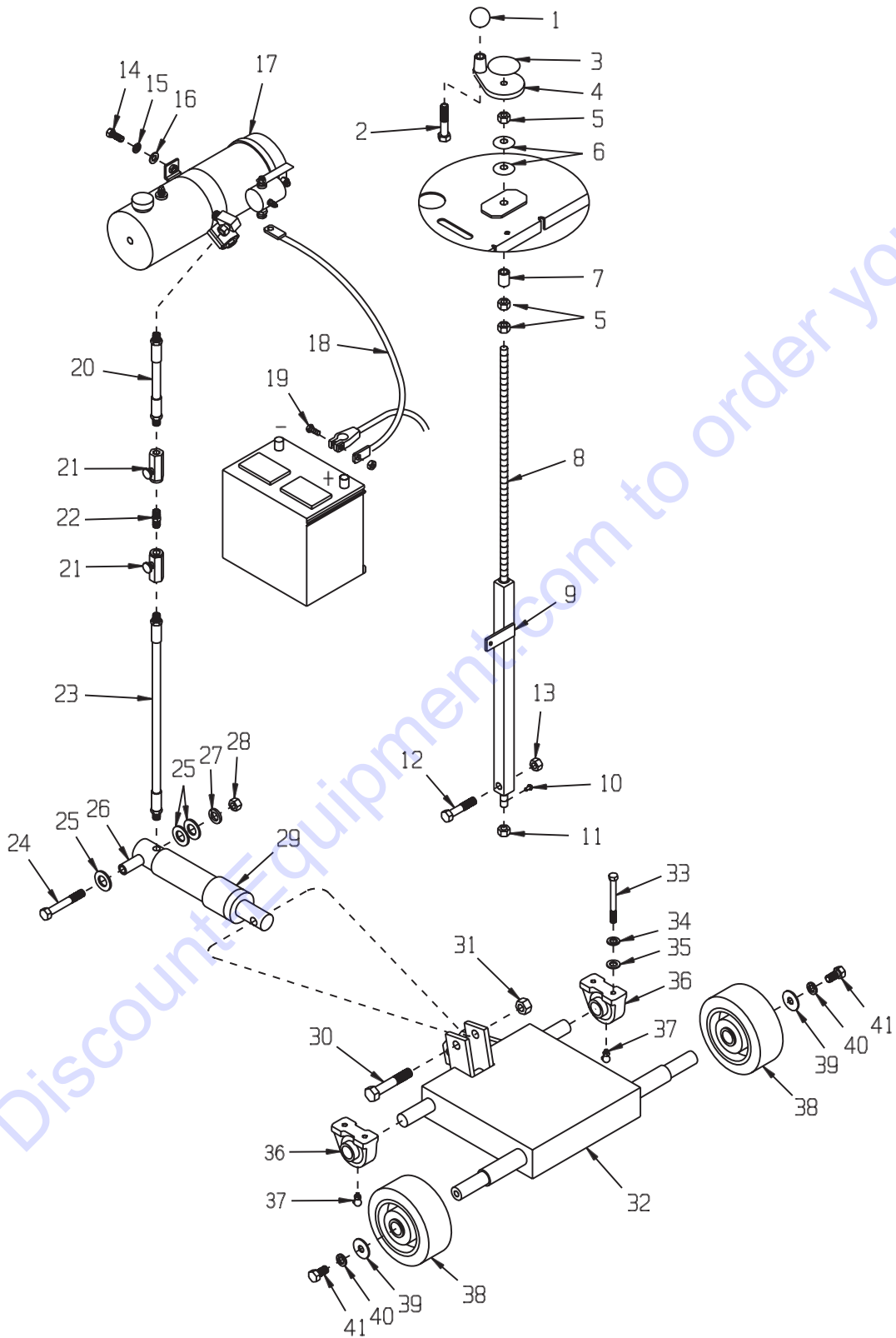
ILLUSTRATION 1 : FRAME GROUPING



PARTS LISTING - ILLUSTRATION 1: FRAME GROUPING

ITEM #	PART #	DESCRIPTION	QTY.	ITEM #	PART #	DESCRIPTION	QTY.
1	50650	CONSOLE	1	30	50704	COVER, ARBOR	1
2	50504	TANK, FUEL 6.4 GAL.	1	31	10055	SCREW, CAP 3/8-16 X 1	2
3	61056	CAP, FUEL TANK	1	32	10811	WASHER, LOCK 3/8	2
4	11650	PIPE PLUG 1/8 NPT (BRASS)	2	33	10025	WASHER, FLAT 3/8 SAE	2
5	50309	TUBE, FUEL PICK-UP 19-3/4"	1	34	50703	GUARD, LOWER PULLEY	1
6	10308	SCREW, CAP 1/2-20 X 1-1/2	2	35	50701	MAIN FRAME	1
7	10312	WASHER, FLAT 1/2 SAE	6	36	51011	GUIDE POINTER, REAR	1
8	10205	NUT, LOCK 1/2-20	2	37	10834	SCREW, CAP 1/4-20 X 1/2	2
9	10125	PIN, DETENT RING 1/2 X 1-1/2 E.L.	1	38	50507	BRACKET, ENGINE MOUNT	2
10	10608	GRIP, HAND 1" MODEL AT	2	39	50508	MOUNT, TRANSMISSION	1
11	50522	HANDLE BAR 36"	2	40	10021	SCREW, CAP 3/8-24 X 1	4
12	51230	KNOB, STAR CLAMPING 3/8-16 X 1"STD.	2	41	10025	WASHER, FLAT 3/8 SAE	8
13	10145	PIN, DETENT RING 3/16 X 1-5/16 E.L.	2	42	10811	WASHER, LOCK 3/8	4
14	10055	SCREW, CAP 3/8-16 X 1	8	43	10014	NUT 3/8-24	4
15	10811	WASHER, LOCK 3/8	8	44	50606K	BAIL, LIFTING, SS26-38K	1
16	10025	WASHER, FLAT 3/8 SAE	8	45	10321	SCREW, CAP 1/2-20 X 1-1/4	4
17	57148	GROMMET 3/8ID X 1/8GRV. X 5/8GD (ID OPENED UP FOR FUEL LINE)	1	46	10312	WASHER, FLAT 1/2 SAE	4
18	51253	GROMMET 1-45/64ID X 1/8GRV. X 2GD	1	47	10045	WASHER, LOCK 1/2	4
19	50702K	COVER, BELT, SS26-38K	1	48	10072	NUT 1/2-20	4
20	10053	SCREW, CAP 5/16-18 X 3/4	3	49	10806	SCREW, CAP 5/16-18 X 1	2
21	10801	WASHER, LOCK 5/16	3	50	10213	WASHER, FLAT 5/16 SAE	5
22	10213	WASHER, FLAT 5/16 SAE	3	51	50711K	BRACE, LIFTING BAIL, SS26-38K	1
23	10907	SCREW, CAP 3/8-16 X 3/4	1	52	10801	WASHER, LOCK 5/16	3
24	10811	WASHER, LOCK 3/8	1	53	10054	NUT 5/16-18	3
25	10025	WASHER, FLAT 3/8 SAE	1	54	10384	SCREW, MACHINE 10-32 X 1	1
26	10907	SCREW, CAP 3/8-16 X 3/4	1	55	52022	BUMPER, RUBBER 1OD x 3/16ID x 7/16H	1
27	10811	WASHER, LOCK 3/8	1	56	40378-S1	WASHER, FENDER 1/4ID X 1-1/4OD S.S.	3
28	10025	WASHER, FLAT 3/8 SAE	1	57	10832	NUT, KEPS 10-32	1
29	49016	PIN, DETENT RING 1/4 X 1 E.L.	1	58	11593	BOLT, EYE SHOULDER 5/16-18 X 1-1/8	1

ILLUSTRATION 2 : LIFT GROUPING



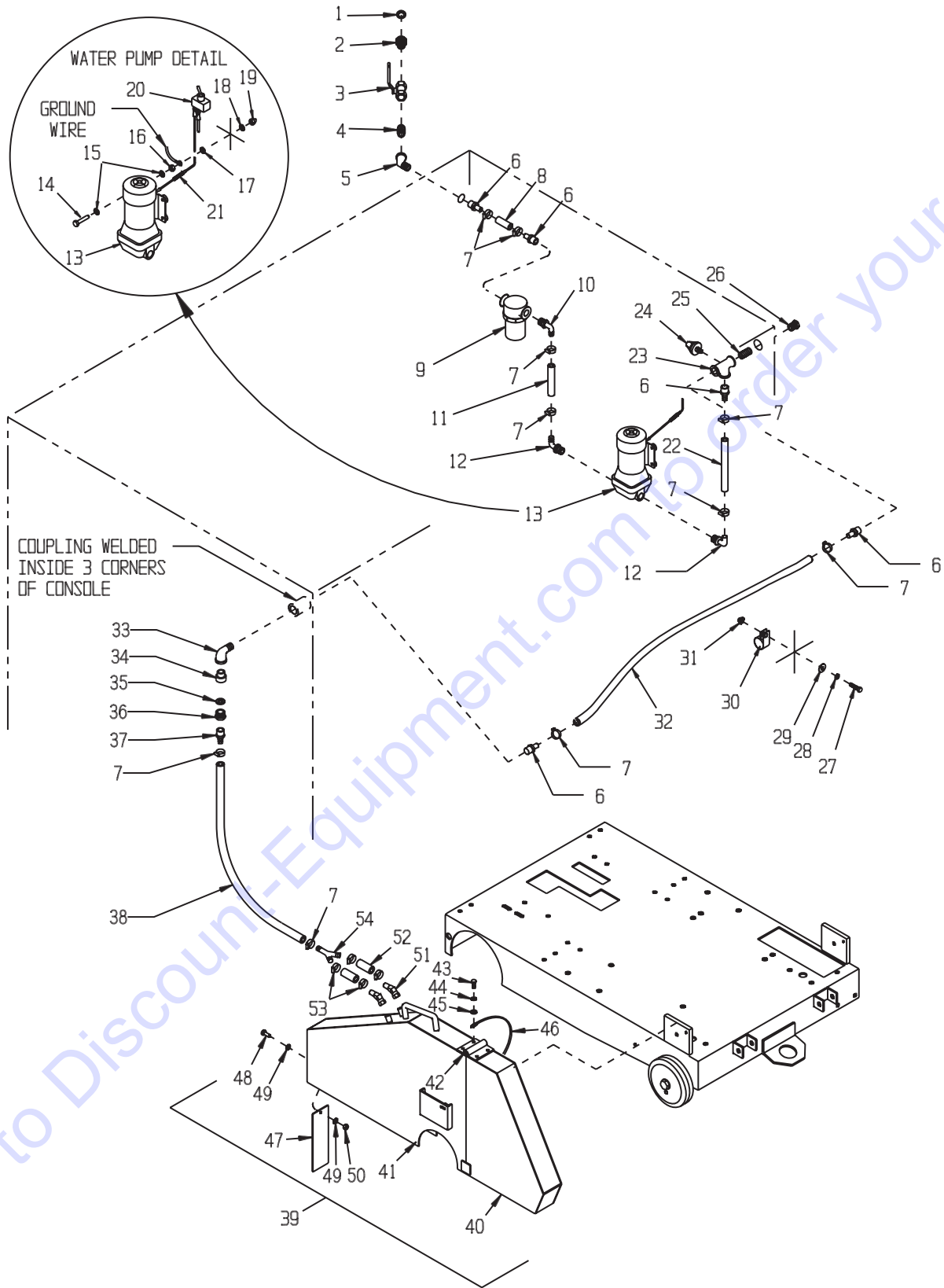
PARTS LISTING - ILLUSTRATION 2: LIFT GROUPING

ITEM #	PART #	DESCRIPTION	QTY.
1	14023	KNOB, BALL 1-3/8 W/ 1/2-13THD, BLK.	1
2	10323	SCREW, CAP 1/2-13 X 2-1/2	1
3	80007	DECAL, DEPTH STOP - DN/UP 2.5"	1
4	57016	HANDWHEEL, SMALL W/ 1/2-13 THD.	1
5	10417	NUT 1/2-13	3
6	10426	WASHER, BELLEVILLE 1/2ID X 3/64THK	2
7	50526	SPACER, STEEL 1/2"ID X 1"LG	1
8	50409	ROD, ALLTHREAD LINKAGE 1/2-13 X 22"	1
9	50412	LINKAGE LOWER TUBE	1
10	10127	SCREW, DRIVE 1/8 X 1/4"L	1
11	50455	NUT 1/2-13, SPECIAL	1
12	10343	SCREW, CAP 1/2-20 X 2-1/2	1
13	10205	NUT, LOCK 1/2-20	1
14	10055	SCREW, CAP 3/8-16 X 1	2
15	10811	WASHER, LOCK 3/8	2
16	10025	WASHER, FLAT 3/8 SAE	2
17	50620	PUMP, HYDRAULIC ELEC., 12VDC M-319	1
18	50117R	CABLE, EYE-EYE 4GA. X 24" (RED)	1
19	10342	SCREW, CAP 5/16-18 X 1-1/2	1
20	57078	HOSE, HYDRAULIC 1/4NPT X 6-1/2"LOA	1
21	61116	VALVE, FLOW CONTROL	2
22	10717	NIPPLE, HEX 1/4 NPT (BRASS)	1
23	50527	HOSE, HYDRAULIC 1/4NPT X 15-1/2"LOA	1
24	10324	SCREW, CAP 1/2-13 X 3-1/2	1
25	10009	WASHER, FLAT 3/4 SAE	3
26	61021	SPACER, CYL.REAR 1/2"ID X 2-1/4	1
27	10045	WASHER, LOCK 1/2	1
28	10417	NUT 1/2-13	1
29	61020	CYLINDER, HYDRAULIC	1
30	10326	SCREW, CAP 5/8-11 X 3	1
31	10809	NUT, LOCK 5/8-11	1
32	50502	FORK	1
33	10868	SCREW, CAP 3/8-16 X 3-1/2	4
34	10811	WASHER, LOCK 3/8	4
35	10025	WASHER, FLAT 3/8 SAE	4
36	50222	BEARING, BALL 1" TPB	2
37	10961	FITTING, GREASE 1/4-28 X 90°	2
38	50439	WHEEL 6 X 2-1/2 X 1"BRG., RED POLY	2
39	10433	WASHER, BELLEVILLE 1/2ID X 3/32THK	2
40	10045	WASHER, LOCK 1/2	2
41	10914	SCREW, CAP 1/2-13 X 1	2



A Division of Equipment Development Company, Inc.

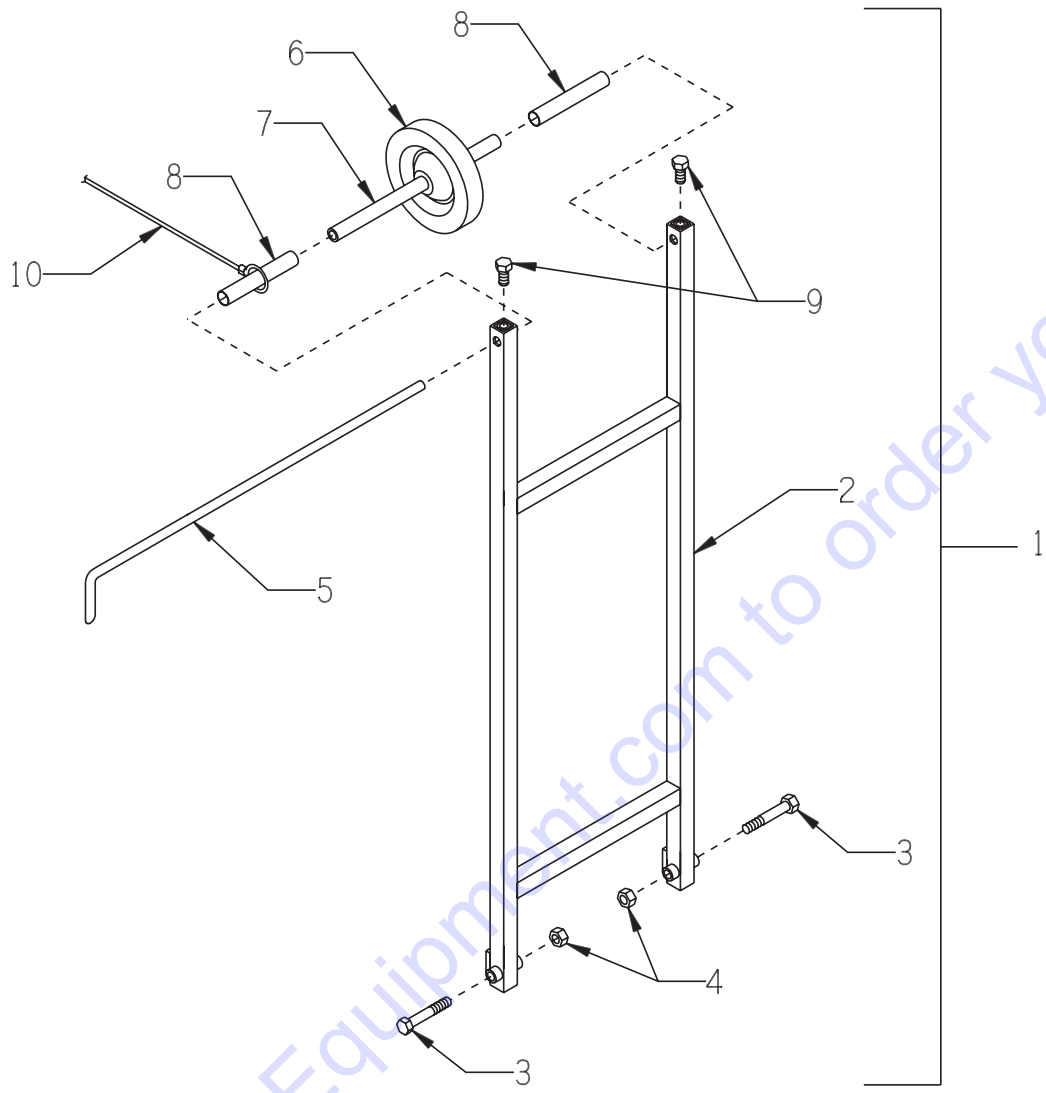
ILLUSTRATION 3 : WATER PUMP & BLADE GUARD GROUPING



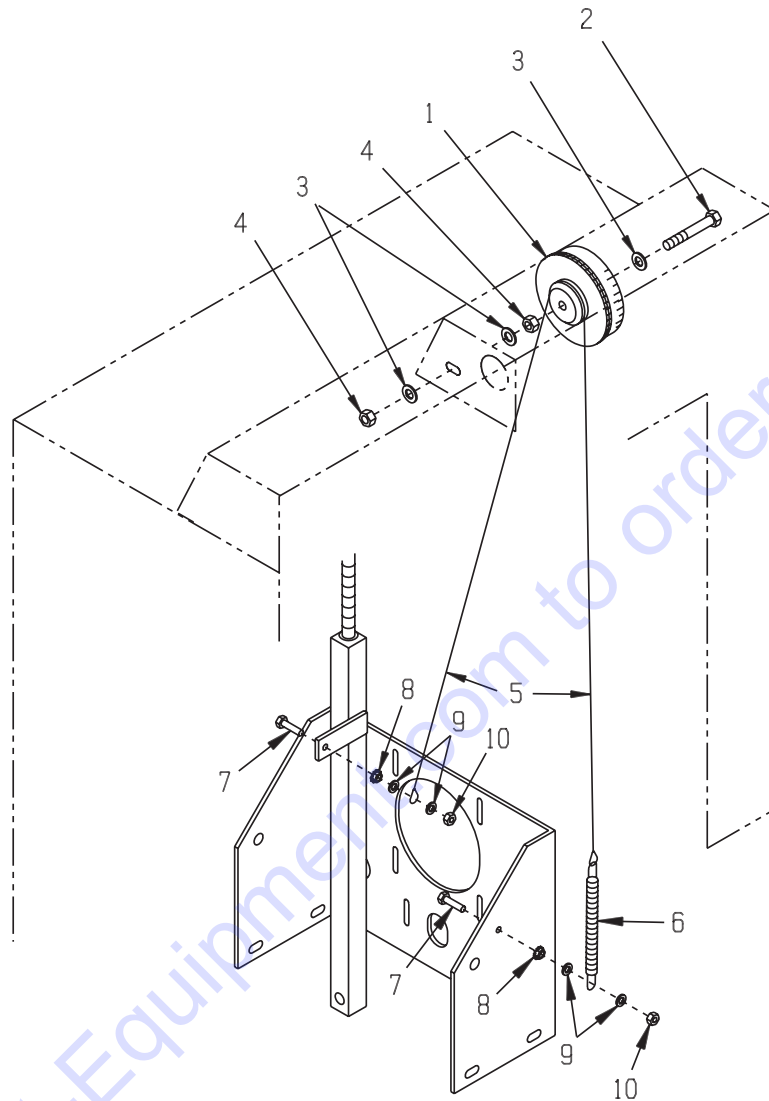
PARTS LISTING - ILLUSTRATION 3: WATER PUMP & BLADE GUARD GROUPING

ITEM #	PART #	DESCRIPTION	QTY.	ITEM #	PART #	DESCRIPTION	QTY.
1	10070	WASHER, HOSE 3/4	1	34	80021	CONN., SWVL FEM. 3/4HOSE X 1/2MPT (INCLUDES HOSE WASHER, ITEM #35)	1
2	80021	CONN., SWVL FEM. 3/4HOSE X 1/2MPT (INCLUDES HOSE WASHER, ITEM #1)	1	35	10070	WASHER, HOSE 3/4	1
3	10711	VALVE, BALL 1/2 FPT	1	36	10780	CONN., MALE 3/4NH X 1/2FPT (BRASS)	1
4	10679	NIPPLE, HEX 1/2NPT (BRASS)	1	37	80061	BARB, PUSH-ON 1/2HOSE X 1/2MPT	1
5	10734	ELBOW, STREET 1/2NPT X 45 (BLK)	1	38		HOSE 1/2"ID 22"L FOR 30" GUARD 24"L FOR 24-26" GUARD 26"L FOR 14-16" & 18-20" GUARDS	1
6	10680	BARB, 1/2HOSE X 1/2MPT (PLSTC)	5		57183		
7	50069	CLAMP, HOSE, SAE #6, ADJ. TO 13/16	10		57140		
8	50532	HOSE, WATER 1/2"ID X 2"L	1	39		BLADE GUARD ASSY. (ITEMS 40-54)	1
9	57170	STRAINER, NYLON T-STYLE 1/2FPT	1		50735A	30" BLADE	
10	50471	BARB ELBOW 90, 1/2HOSE X 1/2MPT	1		57449A	24"- 26" BLADE (STANDARD)	
11	57168	HOSE, WATER 1/2"ID X 4-7/8"L	1		57450A	18"- 20" BLADE	
12	50469	PUMP QUAD PORT BARB ELBOW 1/2" (INCLUDED W/ PUMP)	2		57451A	14"- 16" BLADE	
13	50470	PUMP, WATER, 12VDC, FLOJET QUAD	1	40		GUARD FRONT ONLY	1
14	10905	SCREW, CAP 1/4-20 X 1-1/4	4		50735F	30" BLADE	
15	10602	WASHER, FLAT 1/4 SAE	8		57449F	24"- 26" BLADE	
16	10015	NUT, LOCK 1/4-20	4		57450F	18"- 20" BLADE	
17	10451	WASHER, LOCK, INT. TOOTH 1/4" (USED ON GROUND ONLY)	1		57451F	14"- 16" BLADE	
18	10038	WASHER, LOCK 1/4	4	41		GUARD REAR ONLY	1
19	10876	NUT, ACORN 1/4-20	4		50735R	30" BLADE	
20	10633	SWITCH, TOGGLE SPST (REFER TO ILLUS. 13, ITEM #3)	1		57449R	24"- 26" BLADE	
21	50447	FUSE & HOLDER, 10 AMP	1		57450R	18"- 20" BLADE	
22	57176	HOSE, WATER 1/2"ID X 7-1/4"L	1		57451R	14"- 16" BLADE	
23	50525	PIPE TEE, WTR. PRES. SW. 1/2NPT	1	42	11617	HINGE, BUTT 3 X 3 X 7GA. S.S.	1
24	50215	SWITCH, PRES., COIL IGN., N.O.	1	43	10834	SCREW, CAP 1/4-20 X 1/2	4
25	10728	PIPE NIPPLE, CLOSE 1/2NPT (BLK)	1	44	10038	WASHER, LOCK 1/4	4
26	50552	PIPE PLUG 1/2 NPT (BRASS)	1	45	10602	WASHER, FLAT 1/4 SAE (USED ON PIN & CABLE ASSY. ONLY)	1
27	10031	SCREW, CAP 1/4-20 X 1	1	46		PIN & CABLE ASSY.	1
28	10038	WASHER, LOCK 1/4	1		57482	30" BLADE GUARD	
29	10602	WASHER, FLAT 1/4 SAE	1		57483	24"- 26" BLADE GUARD	
30	11565	CLAMP, LOOM, 5/8" (SAE SIZE 10)	1		57484	18"- 20" BLADE GUARD	
31	10861	NUT, KEPS 1/4-20	1		57485	14"- 16" BLADE GUARD	
32	10655	HOSE, WATER 1/2"ID X 20"L	1	47	41115	FLAP, SPLASH 2-1/2 X 8	1
33	10724	ELBOW, STREET 1/2NPT X 90 (BLK)	1	48	10018	SCREW, CAP 1/4-20 X 3/4	1
				49	10602	WASHER, FLAT 1/4 SAE	2
				50	10015	NUT, LOCK 1/4-20	1
				51	10710	FITTING, SWIVEL 45, 1/4NPT, HYD.	2
				52	50532	HOSE, WATER 1/2"ID X 2"L	2
				53	50069	CLAMP, HOSE, SAE #6, ADJ. TO 13/16	4
				54	10682	BARBED FITTING, "Y" 1/2"HOSE	1

ILLUSTRATION 4 : GUIDE BAR ASSEMBLY



ITEM #	PART #	DESCRIPTION	QTY.
1	57119A	GUIDE BAR ASSEMBLY (INCLUDES ITEMS 2 THRU 9)	1
2	57119	GUIDE BAR	1
3	10202	SCREW, CAP 1/2-20 X 3	2
4	10154	NUT, HEX NYLON LOCK 1/2-20	2
5	50514	POINTER, FRONT 24-1/2"	1
6	50536	WHEEL 5 X 1-1/2 X 3/4"BORE	1
7	57120	AXLE TUBE, GUIDE WHEEL	1
8	57171	SPACER TUBE 5-1/16, GUIDE BAR WHEEL	2
9	10304	SCREW, CAP 1/2-20 X 1	2
10	50555	ROPE, GUIDE BAR (NOT INCLUDED W/ GUIDE BAR ASSY.)	1

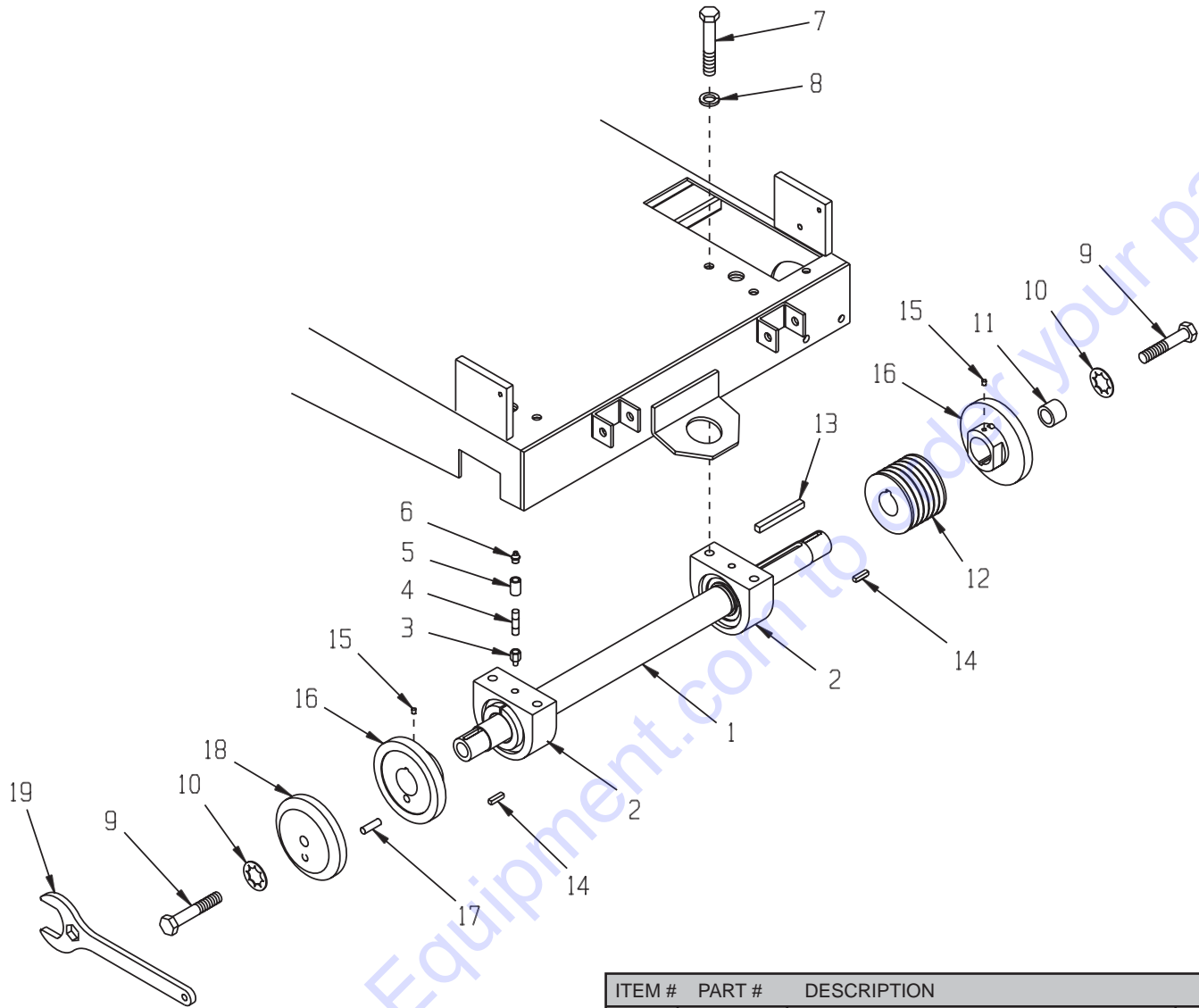
ILLUSTRATION 5 : BLADE DEPTH GAUGE GROUPING


ITEM #	PART #	DESCRIPTION	QTY.
1	57132	WHEEL, DEPTH GAUGE	1
2	10336	SCREW, CAP 3/8-24 X 2-1/4	1
3	10025	WASHER, FLAT 3/8 SAE	3
4	10004	NUT, LOCK 3/8-24	2
5	57143	CABLE, DEPTH GAUGE 3/32 X 34"L	1
6	3636	SPRING, EXT. 6"L	1
7	10031	SCREW, CAP 1/4-20 X 1	2
8	10861	NUT, KEPS 1/4-20	2
9	10602	WASHER, FLAT 1/4 SAE	4
10	10150	NUT, HEX NYLON LOCK 1/4-20	2



A Division of Equipment Development Company, Inc.

ILLUSTRATION 6 : ARBOR GROUPING



ITEM #	PART #	DESCRIPTION	QTY.
1	50720	ARBOR SHAFT 28-1/8"L	1
2	50460	BEARING, BALL 1-1/2" TPB	2
3	50541	ADAPTER, GREASE FITTING 1/8PT X 1/4-28	2
4	10798	PIPE NIPPLE 1/8NPT X 1-1/2 (BLK)	2
5	10585	PIPE COUPLING 1/8 NPT (BLK)	2
6	10006	FITTING, GREASE 1/8 NPT X 45D	2
7	10499	SCREW, CAP 1/2-13 X 3	4
8	10045	WASHER, LOCK 1/2	4
9	10359	SCREW, CAP 5/8-11 X 3-1/4	2
10	10457	WASHER, LOCK, INT. TOOTH 5/8"	2
11	10096	COLLAR, LOCKING 5/8"ID	1

ITEM #	PART #	DESCRIPTION	QTY.
12	10511	SHEAVE (SEE CHART NEXT PAGE)	1
	10512	3.65"OD X 6GR.3V X 1-7/16"B	
	50724	4.80"OD X 6GR.3V X 1-7/16"B	
	50725	5.30"OD X 6GR.3V X SK BUSHING, SHEAVE SK X 1-7/16"B	
13	10074	KEY 3/8SQ X 3-1/2	1
14	10174	KEY 1/4SQ X 1	2
15	10161	SCREW, SET 1/4-28 X 5/16	2
16	50721	ARBOR BACKING PLATE 5" (14"- 26" BLADE SET-UP)	2
	50734	6" (30" BLADE SET-UP)	
17	50722	PIN, SHEAR PROOF 3/8 X 1-1/2	1
18	57403	ARBOR BLADE CAP 5" (14"- 26" BLADE SET-UP)	1
	57405	6" (30" BLADE SET-UP)	
19	57406	WRENCH, ARBOR, 2" & 15/16"	2

PARTS FINDER

**Search Website
by Part Number**



**Search Manual
Library For Parts
Manual & Lookup Part
Numbers – Purchase
or Request Quote**

Search Manuals

Enter your information to help us find the right parts manual for your machine.

* Brand:

* Model:

* Serial:

* Part Number:

SEARCH

**Can't Find Part or
Manual? Request Help
by Manufacturer,
Model & Description**

Parts Order Form

Please fill in the following information to help us find the right part for your machine.

Manufacturer:	<input type="text"/>
Model:	<input type="text"/>
Description:	<input type="text"/>
Part Number:	<input type="text"/>
Quantity:	<input type="text"/>
Notes:	<input type="text"/>

Submit

Discount-Equipment.com is your online resource for quality parts & equipment.

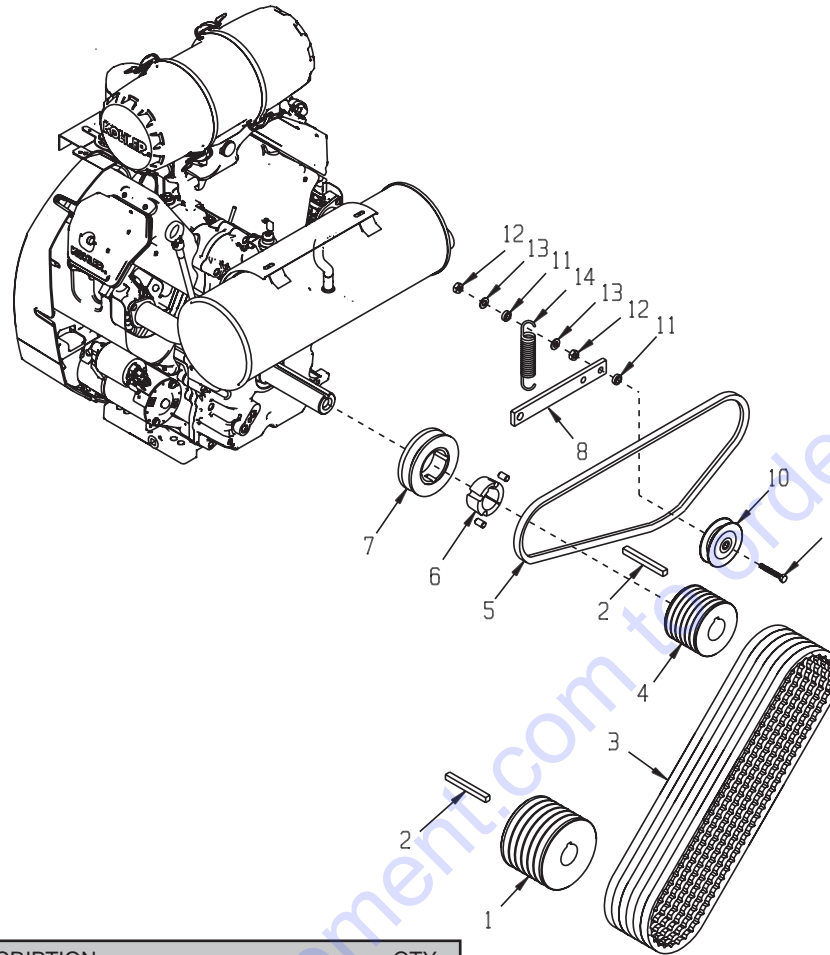
Florida: **561-964-4949** Outside Florida TOLL FREE: **877-690-3101**

Need parts?

Click on this link: <http://www.discount-equipment.com/category/5443-parts/> and choose one of the options to help get the right parts and equipment you are looking for. Please have the machine model and serial number available in order to help us get you the correct parts. If you don't find the part on the website or on one of the online manuals, please fill out the request form and one of our experienced staff members will get back to you with a quote for the right part that your machine needs.

We sell worldwide for the brands: Genie, Terex, JLG, MultiQuip, Mikasa, Essick, Whiteman, Mayco, Toro Stone, Diamond Products, Generac Magnum, Airman, Haulotte, Barreto, Power Blanket, Nifty Lift, Atlas Copco, Chicago Pneumatic, Allmand, Miller Curber, Skyjack, Lull, Skytrak, Tsurumi, Husquvarna Target, Stow, Wacker, Sakai, Mi-T-M, Sullair, Basic, Dynapac, MBW, Weber, Bartell, Bennar Newman, Haulotte, Ditch Runner, Menegotti, Morrison, Contec, Buddy, Crown, Edco, Wyco, Bomag, Laymor, EZ Trench, Bil-Jax, F.S. Curtis, Gehl Pavers, Heli, Honda, ICS/PowerGrit, IHI, Partner, Imer, Clipper, MMD, Koshin, Rice, CH&E, General Equipment, Amida, Coleman, NAC, Gradall, Square Shooter, Kent, Stanley, Tamco, Toku, Hatz, Kohler, Robin, Wisconsin, Northrock, Oztec, Toker TK, Rol-Air, APT, Wylie, Ingersoll Rand / Doosan, Innovatech, Con X, Ammann, Mecalac, Makinex, Smith Surface Prep, Small Line, Wanco, Yanmar

ILLUSTRATION 7 : BELT DRIVE GROUPING



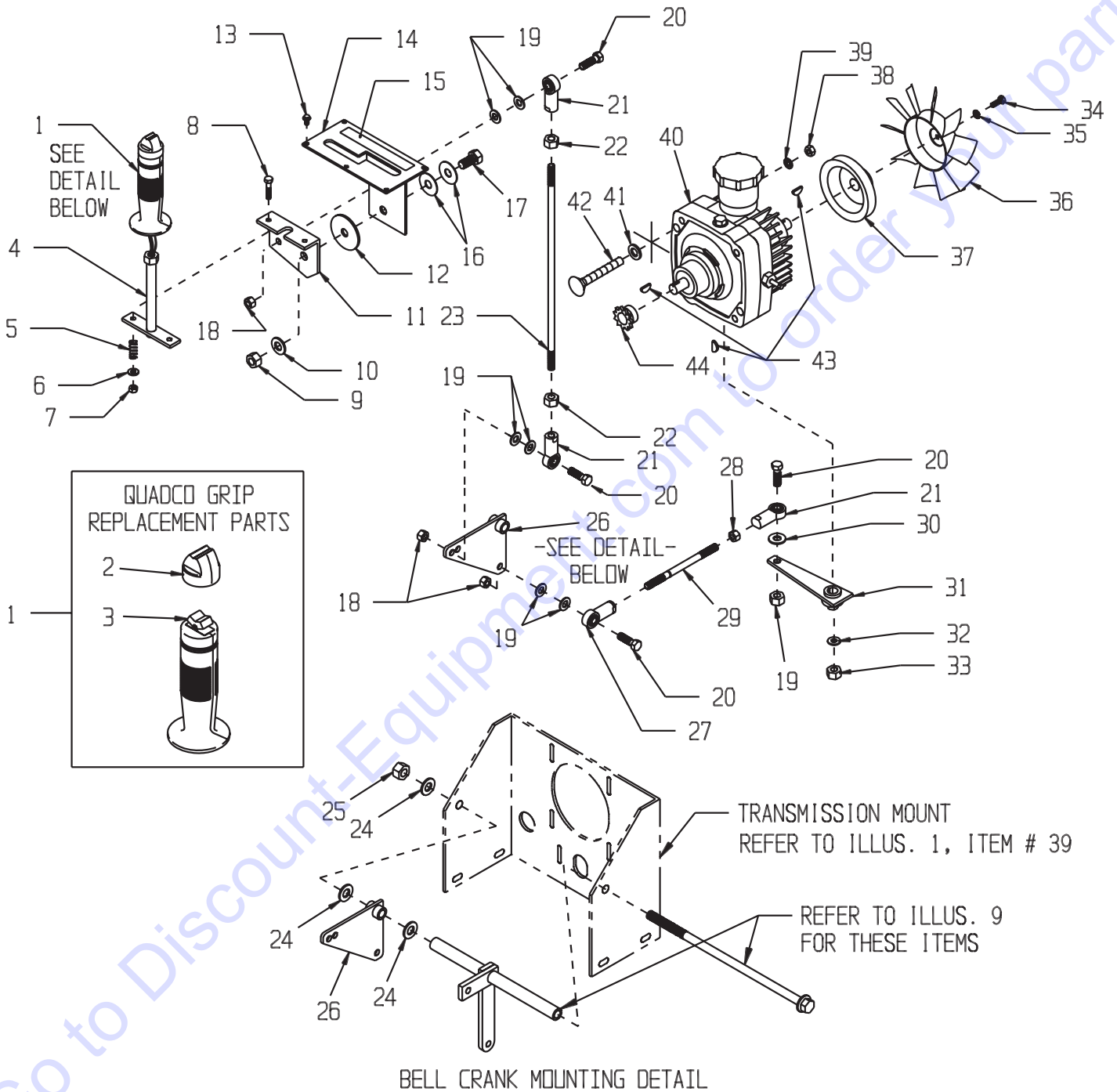
ITEM #	PART #	DESCRIPTION	QTY.
1	10511	ARBOR SHEAVE (SEE CHART)	1
	10512	3.65"OD X 6GR.3V X 1-7/16"B	
	50724	4.80"OD X 6GR.3V X 1-7/16"B	
	50725	5.30"OD X 6GR.3V X SK BUSHING, SHEAVE SK X 1-7/16"B	
2	10074	KEY 3/8SQ X 3-1/2	2
3	10228	BELT 3VX-450	6
4	10510	SHEAVE 2.8"OD X 6GR.3V X 1-7/16"B	1
5	10284	BELT A-55	1
6	10531	BUSHING, TAPER-LOCK 1610 1-7/16"B	1

ITEM #	PART #	DESCRIPTION	QTY.
7	10528	SHEAVE 4.15"OD X 1GR.AB X TPR-LOCK	1
8	50544	ARM, IDLER	1
9	10393	SCREW, CAP 3/8-24 X 2-1/2	1
10	50115	IDLER PULLEY 3"OD X 1GR.AB X 3/8"B	1
11	10113	SPACER, STEEL 9/16OD X 3/8ID X 7/32	2
12	10004	NUT, LOCK 3/8-24	2
13	10025	WASHER, FLAT 3/8 SAE	2
14	50074	SPRING, EXT. 1"OD X 3-15/16	1

SS26-38K BELT DRIVE SPECIFICATION CHART

BLADE DIAMETER	BLADE SPEED (RPM)	ARBOR SHEAVE DIA.	ENGINE SHEAVE DIA.	ARBOR BELT (6 REQ'D.)	TRANS. BELT
14" – 16"	2750	3.65"	2.80"	3VX450	A55
18" – 20"	2100	4.80"			
24" – 26"	2100	4.80"			
30"	1900	5.30"			

ILLUSTRATION 8 : TRANSMISSION GROUPING



PARTS LISTING - ILLUSTRATION 8: TRANSMISSION GROUPING

ITEM #	PART #	DESCRIPTION	QTY.
1	50610	GRIP W/ ROCKER SWITCH, QUADCO G301	1
2	50615	CAP/RUBBER BOOT, "QUADCO" GRIP (INCUEDED WITH ITEM #1)	1
3	50614	SWITCH, ROCKER, C&K #7105 (INCUEDED WITH ITEM #1)	1
4	50608	LEVER, DRIVE	1
5	57471	SPRING, COMP. .468"OD X 1.25"FL	2
6	10602	WASHER, FLAT 1/4 SAE	2
7	10015	NUT, LOCK 1/4-20	2
8	10315	SCREW, CAP 1/4-20 X 1-1/2	2
9	10205	NUT, LOCK 1/2-20	1
10	10312	WASHER, FLAT 1/2 SAE	1
11	50613	PLATE, DRIVE LEVER PRESSURE	1
12	50428	WASHER, FIBER 2-1/4OD X 1/2ID X 1/8	1
13	10877	SCREW, CAP STSHW 10-24 X 1/2	5
14	50607	GATE, DRIVE LEVER	1
15	-----	DECAL, DRIVE CONTROL	
16	10426	WASHER, BELLEVILLE 1/2ID X 3/64THK	2
17	10321	SCREW, CAP 1/2-20 X 1-1/4	1
18	10004	NUT, LOCK 3/8-24	4
19	10025	WASHER, FLAT 3/8 SAE	6
20	10309	SCREW, CAP 3/8-24 X 1-1/4 PLATED	4
21	10919	ROD END, FEMALE 3/8-24 R.H. THREAD	3
22	10014	NUT 3/8-24	2
23	57124	LINKAGE, ROD 3/8 X 14-5/8"L	1
24	10312	WASHER, FLAT 1/2 SAE	3
25	10407	NUT, LOCK 1/2-13	1
26	57123	BELLCRANK, DRIVE CONTROL	1
27	10919L	ROD END, FEMALE 3/8-24 L.H. THREAD	1
28	10014	NUT 3/8-24	1
29	50420	LINKAGE, ROD 3/8 X 5-3/4"L	1
30	10025	WASHER, FLAT 3/8 SAE	1
31	50422	TRANS. CONTROL ARM	1
32	10811	WASHER, LOCK 3/8	1
33	10404	NUT 3/8-16	1
34	10018	SCREW, CAP 1/4-20 X 3/4	1
35	10038	WASHER, LOCK 1/4	1
36	50266	FAN BLADE W/ PLATE 7", TRANSMISSION	1
37	50062	SHEAVE, TRANS. 4"OD X 1GR. X .671"B	1
38	10404	NUT 3/8-16	4
39	10811	WASHER, LOCK 3/8	4
40	50061	TRANSMISSION, HYDROSTATIC	1
41	10040	WASHER, GARRET 17/32 X 1 X .054	4
42	10909	BOLT, CARRIAGE 3/8-16 X 3 FULL THD.	4
43	50071	KEY, WOODRUFF 1/8 X 1/2 (#404)	3
44	50048	SPROCKET #3511 X .67"BORE	1



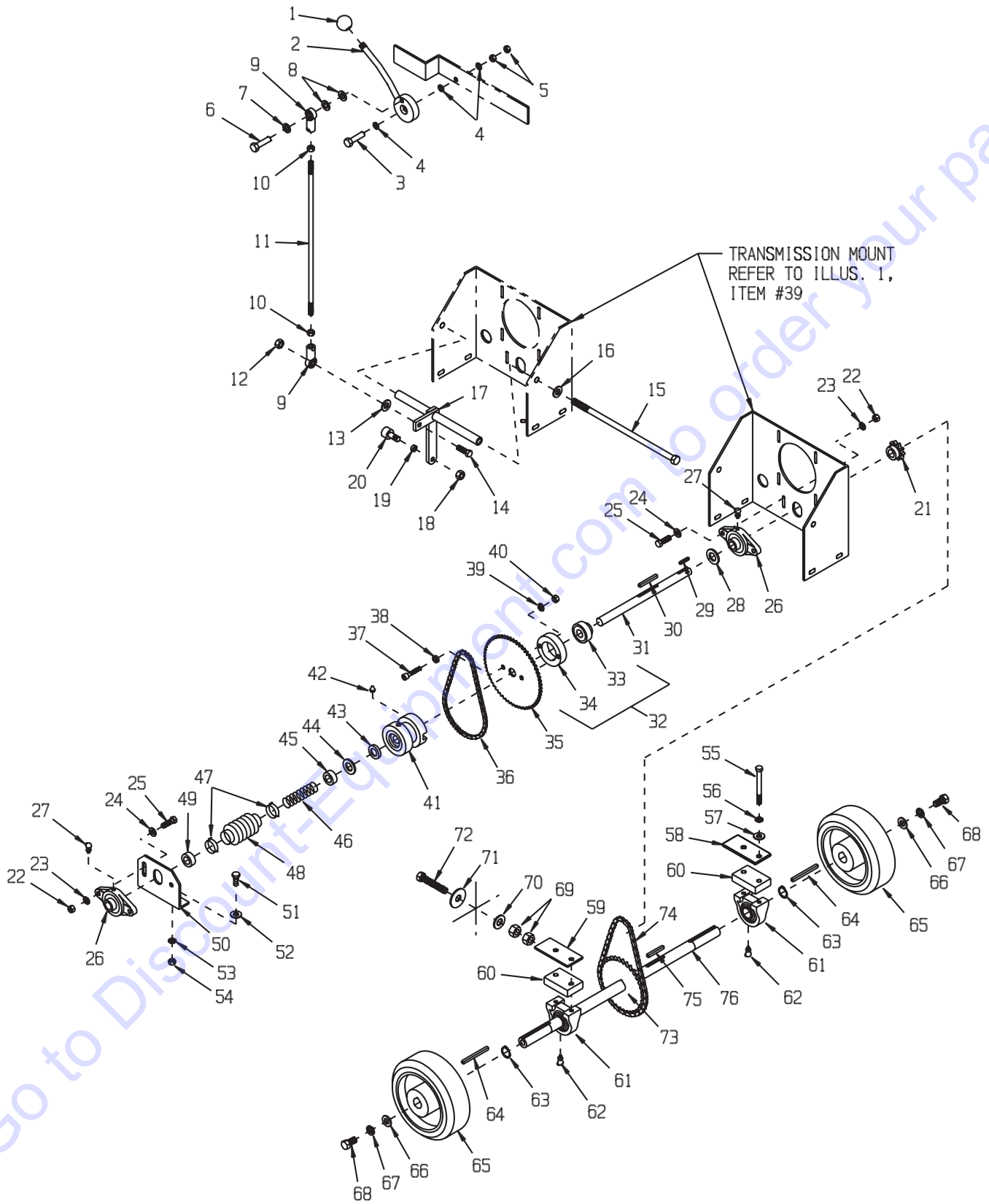
A Division of Equipment Development Company, Inc.

Printed in USA

©2008

Page 15

ILLUSTRATION 9 : CLUTCH & REAR AXLE GROUPING

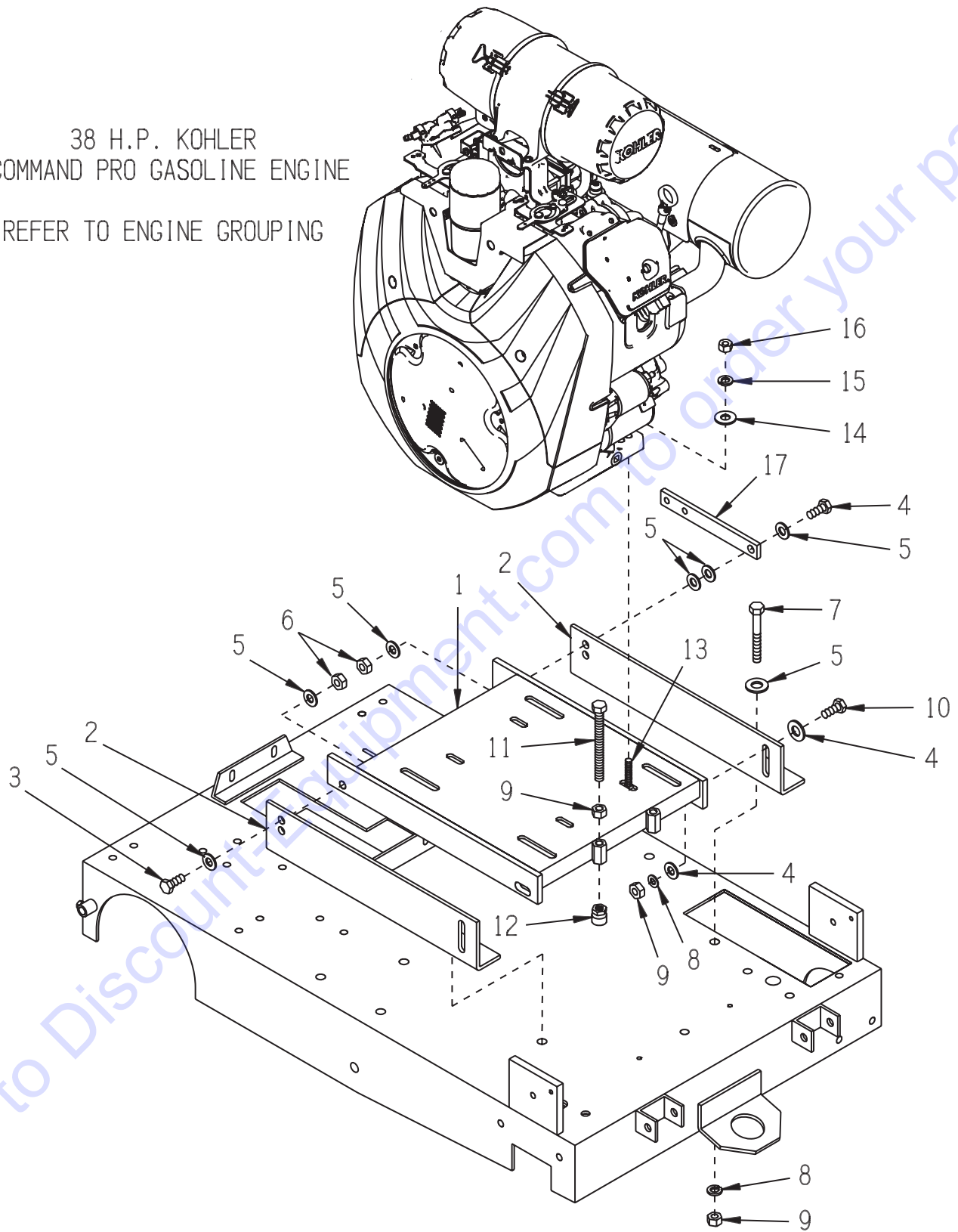


PARTS LISTING - ILLUSTRATION 9: CLUTCH & REAR AXLE GROUPING

ITEM #	PART #	DESCRIPTION	QTY.	ITEM #	PART #	DESCRIPTION	QTY.
1	14023	KNOB, BALL 1-3/8 W/ 1/2-13THD	1	39	10811	WASHER, LOCK 3/8	2
2	50611	LEVER, CLUTCH	1	40	10014	NUT 3/8-24	2
3	10816	SCREW, CAP 3/8-24 X 1-1/2	1	41	57042	CLUTCH, DOG BLOCK	1
4	10025	WASHER, FLAT 3/8 SAE	3	42	10808	FITTING, GREASE 1/4-28 STRAIGHT	1
5	10004	NUT, LOCK 3/8-24	2	43	3695	SEAL, OIL .750 X 1.375 X .250	1
6	10309	SCREW, CAP 3/8-24 X 1-1/4	1	44	10009	WASHER, FLAT 3/4 SAE	1
7	10811	WASHER, LOCK 3/8	1	45	57044	CLUTCH SPRING CUP	1
8	10025	WASHER, FLAT 3/8 SAE	2	46	10922	SPRING, COMP. 1"OD X 3.75"FL	1
9	10919	ROD END, FEMALE 3/8-24 R.H. THD	2	47	10768	CLAMP, HOSE SAE #16 ADJ. TO 1-1/2	2
10	10014	NUT 3/8-24	2	48	10930	BELLOWS 1-1/4ID X 2-3/8EL X 1-3/4RL	1
11	50612	LINKAGE, ROD 3/8 X 17"L	1	49	10428	COLLAR, LOCKING 3/4"ID	1
12	10004	NUT, LOCK 3/8-24	1	50	50509	MOUNT, JACKSHAFT BEARING	1
13	10025	WASHER, FLAT 3/8 SAE	1	51	10021	SCREW, CAP 3/8-24 X 1	4
14	10309	SCREW, CAP 3/8-24 X 1-1/4	1	52	10025	WASHER, FLAT 3/8 SAE	4
15	10421	SCREW, CAP 1/2-13 X 13	1	53	10811	WASHER, LOCK 3/8	4
16	10312	WASHER, FLAT 1/2 SAE	1	54	10014	NUT 3/8-24	4
17	50450	BELL CRANK, CLUTCH	1	55	10318	SCREW, CAP 3/8-16 X 3-3/4	4
18	10004	NUT, LOCK 3/8-24	1	56	10811	WASHER, LOCK 3/8	4
19	10113	SPACER, STL 9/16OD X 3/8ID X 7/32	1	57	10025	WASHER, FLAT 3/8 SAE	4
20	10924	CAM FLWR. BRG. 3/4" X 3/8-24THD	1	58	50511	SHIM, AXLE BEARING	1
21	50436	SPROCKET #40B10 X 3/4"BORE	4	59	50512	SHIM, AXLE BEARING W/ ADJ.	1
22	10014	NUT 3/8-24	4	60	50510	SPACER, BEARING	2
23	10811	WASHER, LOCK 3/8	4	61	50222	BEARING, BALL 1" TPB	2
24	10025	WASHER, FLAT 3/8 SAE	4	62	10960	FITTING, GREASE 1/4-28 X 45°	2
25	10309	SCREW, CAP 3/8-24 X 1-1/4	4	63	10906	RETAINING RING, EXT. 1"	2
26	50049	BEARING, BALL 3/4" 2-HOLE FLNG	2	64	10132	KEY 1/4SQ X 3	2
27	10960	FITTING, GREASE 1/4-28 X 45°	2	65	61065	WHEEL 8 X 3 X 1"BORE	2
28	10009	WASHER, FLAT 3/4 SAE	1	66	10433	WASHER, BELLEVILLE 1/2ID X 3/32THK	2
29	50523	KEY 3/16SQ X 1-1/8	1	67	10045	WASHER, LOCK 1/2	2
30	10307	KEY 1/4SQ X 2-1/4	1	68	10914	SCREW, CAP 1/2-13 X 1	2
31	50518	JACKSHAFT, CLUTCH 11-1/2"	1	69	10417	NUT 1/2-13	2
32	57038A	BEARING & CARRIER ASSY. ,CLTCH	1	70	10312	WASHER, FLAT 1/2 SAE	1
33	57038	BEARING, BALL 3/4ID X 1.8504"OD	1	71	10433	WASHER, BELLEVILLE 1/2ID X 3/32THK	1
34	57039	CARRIER, CLUTCH BEARING	1	72	10340	BOLT, TAP 1/2-13 X 3 (FULL THRD.)	1
35	50476	SPROCKET, CLUTCH #35A60	1	73	61126	SPROCKET #40B34 X 1"BORE	1
36	64032	CHAIN #35 X 24-1/2"LOA	1	74	50542	CHAIN #40 X 25"LOA	1
37	10354	SCREW, SKT. HD. 3/8-24 X 1-3/4	2	75	10115	KEY 1/4SQ X 2	1
38	10113	SPACER, STL 9/16OD X 3/8ID X 7/32	2	76	50519	AXLE SHAFT 1"DIA. X 25"L	1

ILLUSTRATION 10: ENGINE MOUNT GROUPING

38 H.P. KOHLER
COMMAND PRO GASOLINE ENGINE
REFER TO ENGINE GROUPING



PARTS LISTING - ILLUSTRATION 10: ENGINE MOUNT GROUPING			
ITEM #	PART #	DESCRIPTION	QTY.
1	50506	MOUNT, GASOLINE ENGINE	1
2	50507	BRACKET, ENGINE MOUNT	2
3	10308	SCREW, CAP 1/2-20 X 1-1/2	1
4	10322	SCREW, CAP 1/2-20 X 2	1
5	10312	WASHER, FLAT 1/2 SAE	14
6	10205	NUT, LOCK 1/2-20	2
7	10324	SCREW, CAP 1/2-13 X 3-1/2	4
8	10045	WASHER, LOCK 1/2	4
9	10417	NUT 1/2-13	6
10	10356	SCREW, CAP 1/2-13 X 1-1/2	2
11	10373	BOLT, TAP 1/2-13 X 5 (FULL THREAD)	2
12	50710	TOGGLE PAD 7/8"D X 15/16"H X 1/2-13	2
13	10917	BOLT, CARRIAGE 3/8-16 X 2	4
14	10025	WASHER, FLAT 3/8 SAE	4
15	10811	WASHER, LOCK 3/8	4
16	10404	NUT 3/8-16	4
17	50544	ARM, IDLER (REFER TO BELT DRIVE GROUPING, ILLUS. 7)	1

ENGINE SETTING

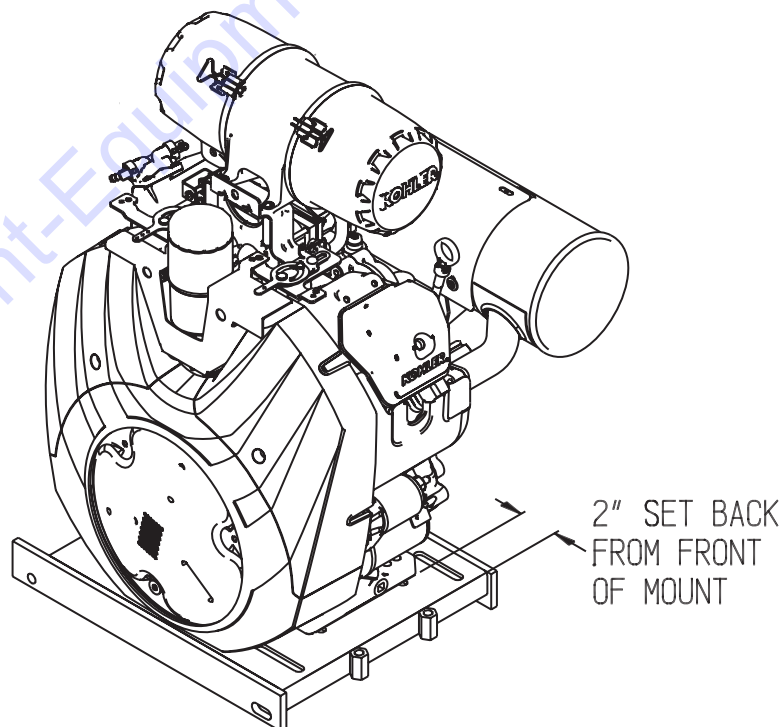
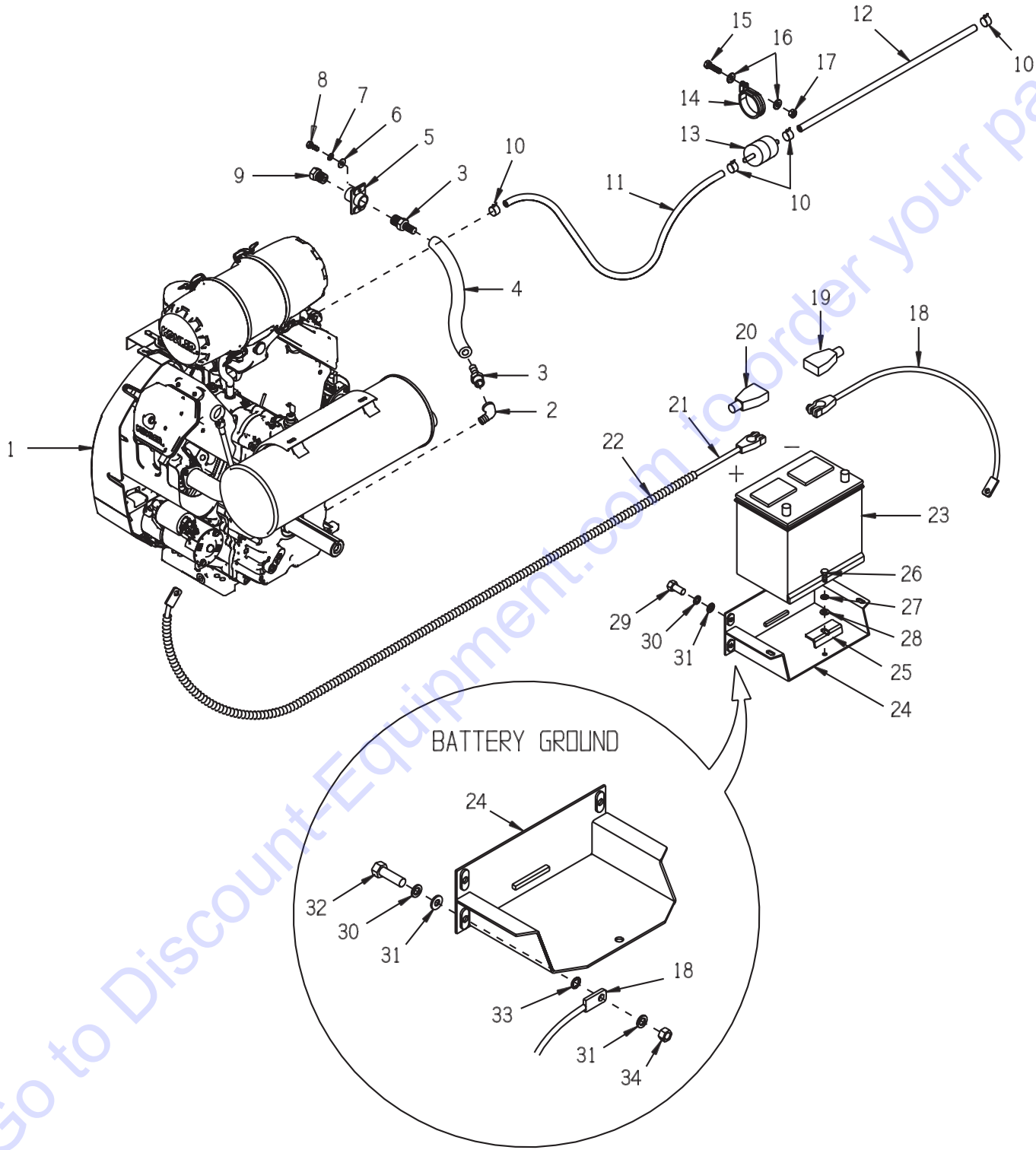


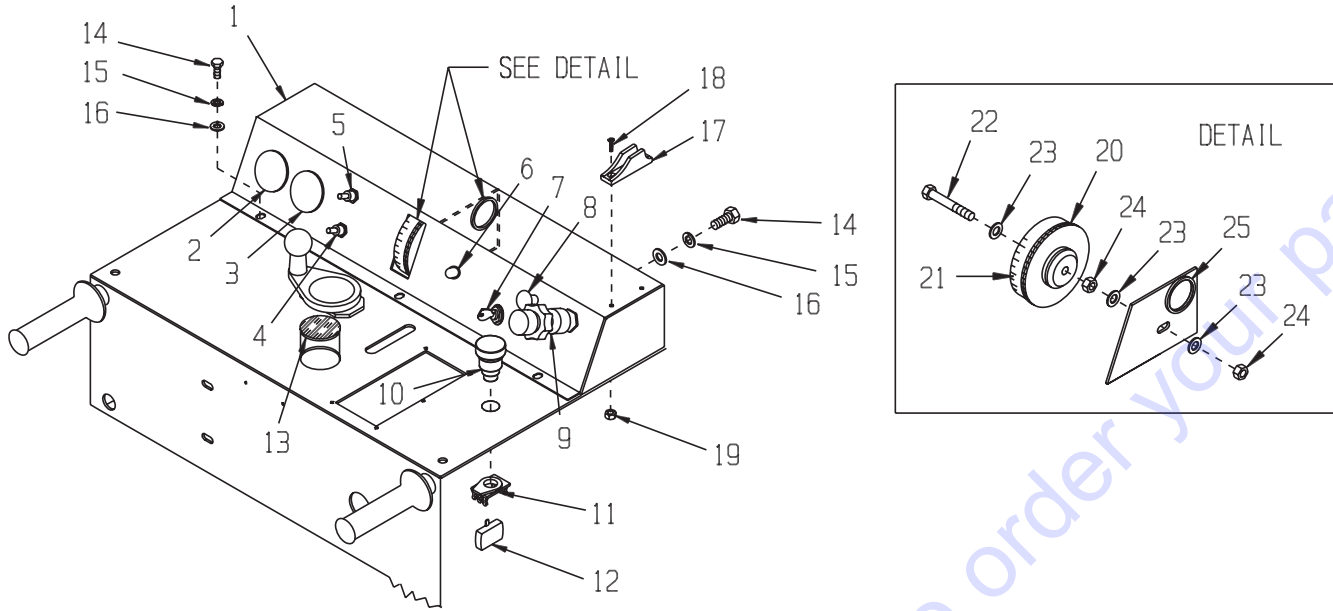
ILLUSTRATION 11 : ENGINE GROUPING



PARTS LISTING - ILLUSTRATION 11: ENGINE GROUPING

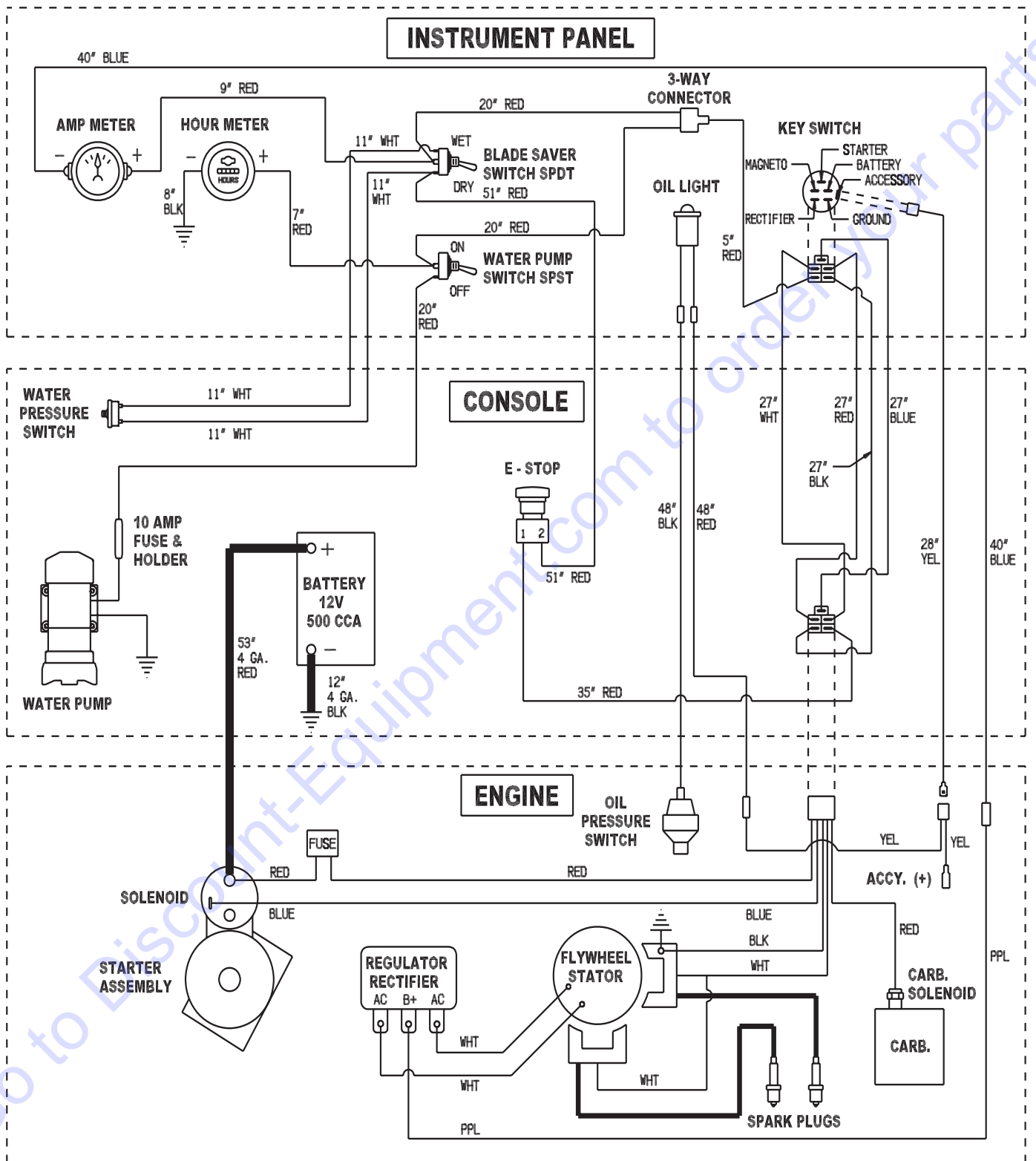
ITEM #	PART #	DESCRIPTION	QTY.
1	15070	ENGINE, KOHLER 38HP COMMAND PRO, MODEL CH980S	1
2	10734	ELBOW, STREET 1/2NPT X 45 (BLACK)	1
3	80061	BARB, PUSH-ON 1/2HOSE X 1/2MPT	2
4	50659	HOSE, PUSH-ON 1/2"ID X 16-1/2"L	1
5	50604	BRACKET, OIL DRAIN	1
6	10602	WASHER, FLAT 1/4 SAE	2
7	10038	WASHER, LOCK 1/4	2
8	10018	SCREW, CAP 1/4-20 X 3/4	2
9	50552	PIPE PLUG 1/2 NPT (BRASS)	1
10	10763	CLAMP, HOSE SPRING-TYPE 7/16" RED	4
11	50737	HOSE, FUEL 1/4"ID X 17"L	1
12	50738	HOSE, FUEL 1/4"ID X 14"L	1
13	15116	FILTER, FUEL 1/4" IN LINE	1
14	11566	CLAMP, LOOM, 1-3/4" (SAE SIZE 28)	1
15	10018	SCREW, CAP 1/4-20 X 3/4	1
16	10602	WASHER, FLAT 1/4 SAE	2
17	10861	NUT, KEPS 1/4-20	1
18	50323B	CABLE, BATTERY 4GA. X 12" (BLACK)	1
19	10929	INSULATOR, BAT.TERM.POST (BLACK)	1
20	10928	INSULATOR, BAT.TERM.POST (RED)	1
21	57055	CABLE, BATTERY 4GA. X 53" (RED)	1
22	50739	LOOM, FLEX 5/8 X 52"L	1
23	50321	BATTERY 12 VOLT/500 CCA(POST TERM.)	1
24	57107	TRAY, BATTERY	1
25	57152	CLAMP, BATTERY HOLD-DOWN	1
26	10068	SCREW, CAP 3/8-16 X 1-1/2	1
27	10811	WASHER, LOCK 3/8	1
28	10025	WASHER, FLAT 3/8 SAE	1
29	10907	SCREW, CAP 3/8-16 X 3/4	3
30	10811	WASHER, LOCK 3/8	5
31	10025	WASHER, FLAT 3/8 SAE	4
32	10333	SCREW, CAP 3/8-16 X 1-1/4	1
33	10453	WASHER, LOCK, INT. TOOTH 1/2"	1
34	10404	NUT 3/8-16	1

ILLUSTRATION 12 : INSTRUMENT PANEL GROUPING



ITEM #	PART #	DESCRIPTION	QTY.
1	50651	INSTRUMENT PANEL	1
2	10631	AMMETER YE2, 30 OR 60 AMP	1
3	10637	METER, HOUR 2-1/16"	1
4	10633	SWITCH, TOGGLE SPST 15/10A-115/250V (WATER PUMP)	1
5	10619	SWITCH, TOGGLE SPDT (BLADE SAVER)	1
6	-----	OIL ALERT LIGHT, 38 HP KOHLER (INCLUDED W/ ENGINE)	1
7	-----	SWITCH, IGNITION STARTER, KEY-TYPE, 38 HP KOHLER (INCLUDED W/ ENGINE)	1
8	15129	CABLE, CHOKE CONTROL 72"	1
9	50560	CABLE, VERNIER ADJ. LOCKING CONTROL (THROTTLE)	1
10	15147	SWITCH PUSHBUTTON ONLY, E-STOP	1
11	15148	SWITCH ASSY. CLIP ONLY, E-STOP	1
12	15167	SWITCH CONTACT BLOCK, N.C. E-STOP	1
13	65022	PLUG, HOLE 2"	1
14	10018	SCREW, CAP 1/4-20 X 3/4	5
	10031	1/4-20 X 1	2
15	10038	WASHER, LOCK 1/4	7
16	10602	WASHER, FLAT 1/4 SAE	7
17	11591	ROPE CLEAT, NYLON JAM 3/16"-5/16"	1
18	11594	SCREW, MACHINE 10-32 X 5/8, SLT.FLT	2
19	10832	NUT, KEPS 10-32	2
20	57132	WHEEL, DEPTH GAUGE	1
21	-----	DECAL, DEPTH GAUGE	1
22	10336	SCREW, CAP 3/8-24 X 2-1/4	1
23	10025	WASHER, FLAT 3/8 SAE	3
24	10004	NUT, LOCK 3/8-24	2
25	57149	GROMMET 1-1/4ID X 1/8GRV. X 1-1/2GD	1

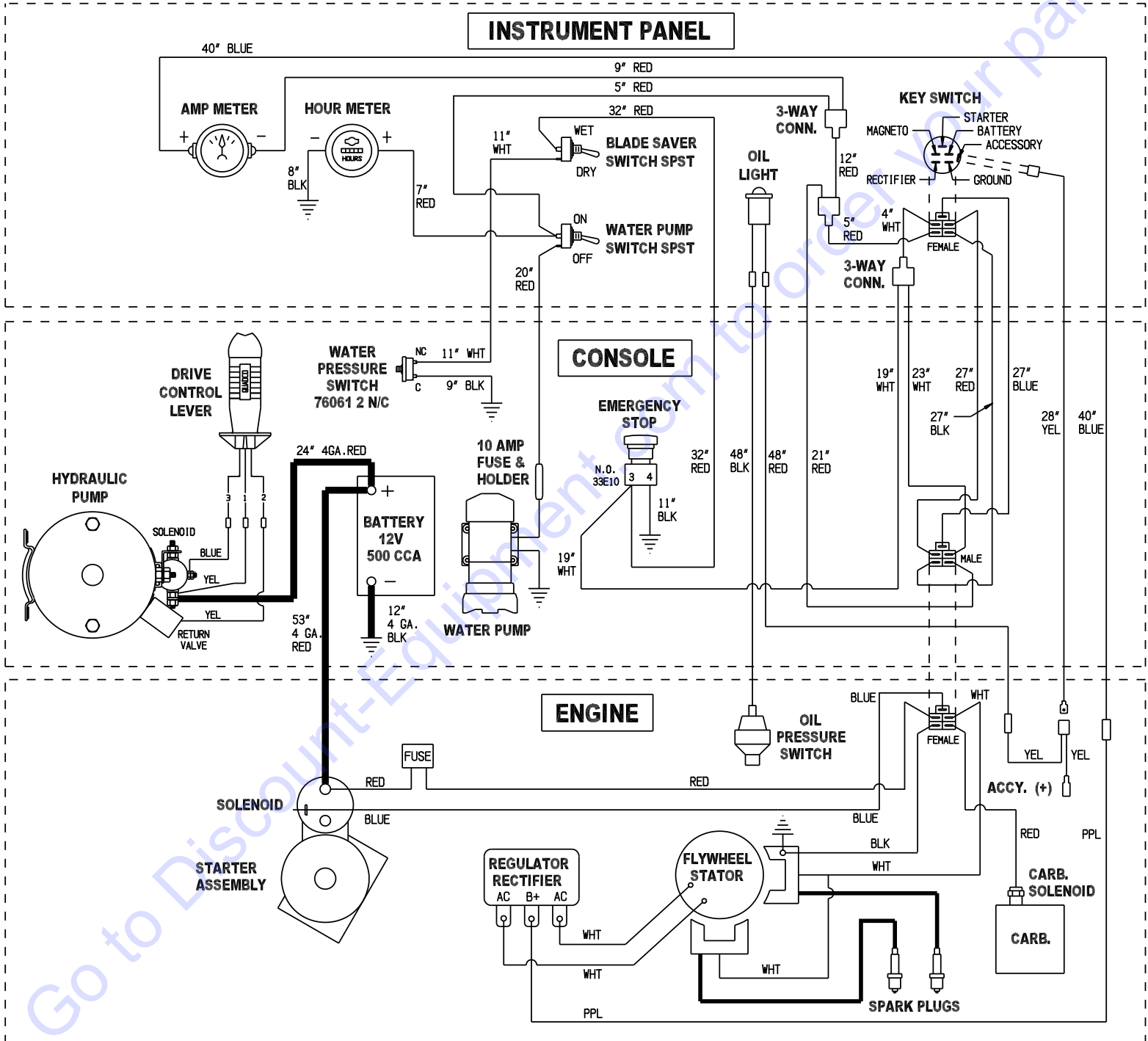
ILLUSTRATION 13 : WIRING DIAGRAM



WIRING DIAGRAM FOR MODEL SS26-38K

REVISED STARTING SERIAL #120310101

E-SS2638K-WD-0412



PARTS FINDER

**Search Website
by Part Number**



**Search Manual
Library For Parts
Manual & Lookup Part
Numbers – Purchase
or Request Quote**

Search Manuals

Enter your information to help us find the right parts manual for your machine.

* Brand:

* Model:

* Serial:

* Part Number:

SEARCH

**Can't Find Part or
Manual? Request Help
by Manufacturer,
Model & Description**

Parts Order Form

Please fill in the following information to help us find the right part for your machine.

Manufacturer:	<input type="text"/>
Model:	<input type="text"/>
Description:	<input type="text"/>
Part Number:	<input type="text"/>
Quantity:	<input type="text"/>
Notes:	<input type="text"/>

Discount-Equipment.com is your online resource for quality parts & equipment.

Florida: **561-964-4949** Outside Florida TOLL FREE: **877-690-3101**

Need parts?

Click on this link: <http://www.discount-equipment.com/category/5443-parts/> and choose one of the options to help get the right parts and equipment you are looking for. Please have the machine model and serial number available in order to help us get you the correct parts. If you don't find the part on the website or on one of the online manuals, please fill out the request form and one of our experienced staff members will get back to you with a quote for the right part that your machine needs.

We sell worldwide for the brands: Genie, Terex, JLG, MultiQuip, Mikasa, Essick, Whiteman, Mayco, Toro Stone, Diamond Products, Generac Magnum, Airman, Haulotte, Barreto, Power Blanket, Nifty Lift, Atlas Copco, Chicago Pneumatic, Allmand, Miller Curber, Skyjack, Lull, Skytrak, Tsurumi, Husquvarna Target, Stow, Wacker, Sakai, Mi-T-M, Sullair, Basic, Dynapac, MBW, Weber, Bartell, Bennar Newman, Haulotte, Ditch Runner, Menegotti, Morrison, Contec, Buddy, Crown, Edco, Wyco, Bomag, Laymor, EZ Trench, Bil-Jax, F.S. Curtis, Gehl Pavers, Heli, Honda, ICS/PowerGrit, IHI, Partner, Imer, Clipper, MMD, Koshin, Rice, CH&E, General Equipment, Amida, Coleman, NAC, Gradall, Square Shooter, Kent, Stanley, Tamco, Toku, Hatz, Kohler, Robin, Wisconsin, Northrock, Oztec, Toker TK, Rol-Air, APT, Wylie, Ingersoll Rand / Doosan, Innovatech, Con X, Ammann, Mecalac, Makinex, Smith Surface Prep, Small Line, Wanco, Yanmar