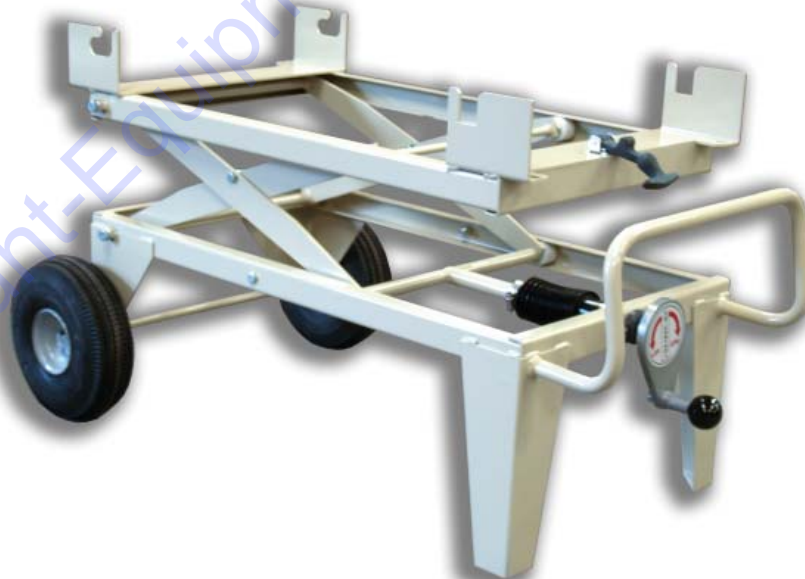


PROCART PARTS LIST MANUAL

PART NO. 24750
USED FOR HARDSCAPE
SAWS, MODELS
HSS-14 & GMS-10

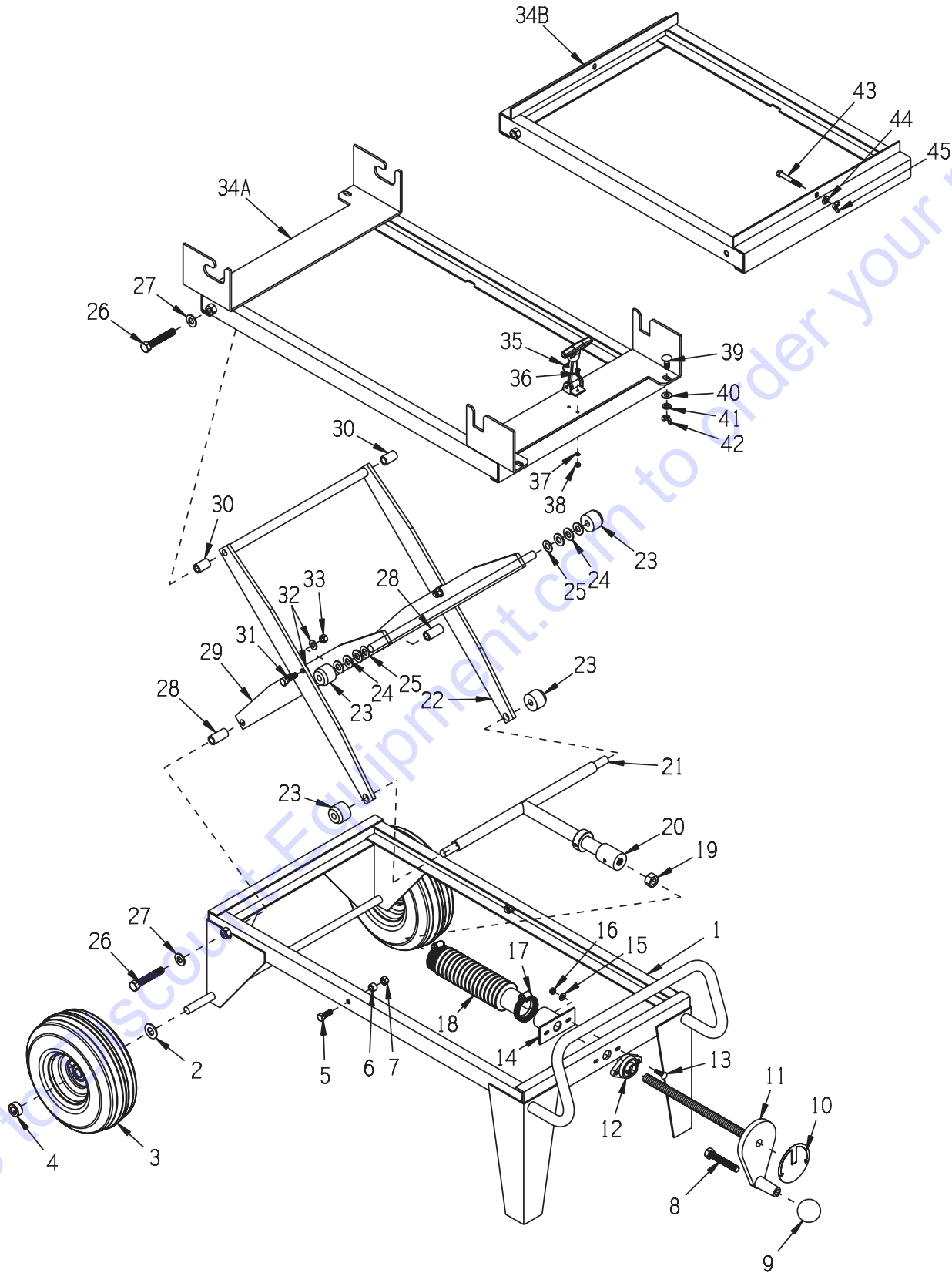


PART NO. 24950
USED FOR 14" MASONRY SAW,
MODELS
BB-14, GMS-14A
GMS-14, MS-14



Adjustable Scissor Style Cart

ProCart Assembly



PARTS LISTING : PROCART ASSEMBLY			
ITEM#	PART#	DESCRIPTION	QTY.
1	24751	FRAME WELDMNT, BASE	1
2	10073	WASHER, FLAT 5/8	2
3	24760	WHEEL 10 x 4 x 5/8" BRG (PNEUMATIC OFFSET)	2
4	10096	COLLAR, LOCKING 5/8" ID	2
5	10021	SCREW, CAP 3/8-24 x 1	2
6	10011	SPACER, STEEL 5/8" OD x 3/8" ID x 3/8"	2
7	10152	NUT, HEX NYLON LOCK 3/8-24	2
8	10499	SCREW, CAP 1/2-13 x 3	1
9	10104	KNOB, BALL 1-7/8" w/ 1/2-13 THD.	1
10	91145	DECAL, CUT CONTROL - UP/DN (LARGE ROUND)	1
11	51075	HANDWHEEL, LARGE w/ 5/8-8 x 13" ROD	1
12	80009	BEARING, BALL 5/8" 2-HOLE FLANGE	1
13	10412	BOLT, CARRIAGE 1/4-20 x 1	2
14	24762	BRACKET, BELLOWS	1
15	10602	WASHER, FLAT 1/4	2
16	10861	NUT, KEPS 1/4-20	2
17	10713	CLAMP, HOSE, SAE #24, ADJ. TO 2"	2
18	24761	BELLOWS 1-3/4" ID x 10-1/4" LG	1
19	50008	NUT 5/8-8 ACME	1
20	24759	LINKAGE, RAISE/LOWER	1
21	24755	ROD 5/8" DIA. x 18-11/16" L	1
22	24754	SCISSOR WELDMNT, OUTER	1
23	24757	WHEEL, TRACK, 1-1/2" OD x 1/2" ID x 1-3/16" L	4
24	10312	WASHER, FLAT 1/2 SAE	6
25	10040	WASHER, GARRET 17/32 X 1 X .054	2
26	10340	BOLT, TAP 1/2-13 x 3 (FULL THREAD)	4
27	10045	WASHER, LOCK 1/2	4
28	24767	SPACER, PIVOT ARM 1-9/16"L	2
29	24753	SCISSOR WELDMNT, INNER	1
30	24766	SPACER, PIVOT ARM 1-3/16"L	2
31	10309	SCREW, CAP 3/8-24 x 1-1/4	2
32	10025	WASHER, FLAT 3/8	4
33	10152	NUT, HEX NYLON LOCK 3/8-24	2
34A	24765	FRAME TOP, PROCART, 14" MASONRY SAW REQUIRES ITEMS 35-38 FOR GMS-14A & BB-14 MODELS or REQUIRES ITEMS 39-42 FOR GMS/MS-14 MODELS	1
or 34B	24752	FRAME TOP, HSS-14/GMS-10 PROCART REQUIRES ITEMS 43-45 FOR GMS-10 & HSS-14 MODELS	
35	52002	LATCH, FLEXIBLE DRAW w/ T-HANDLE	1
36	10833	SCREW, MACHINE 10-32 x 3/4	2
37	10831	WASHER, LOCK, INT. TOOTH #10	2
38	10832	NUT 10-32	2
39	10802	BOLT, CARRIAGE 3/8-16 X 1 FULL THD.	4
40	10025	WASHER, FLAT 3/8 SAE	4
41	10811	WASHER, LOCK 3/8	4
42	10903	NUT, WING 3/8-16	4
43	10341	SCREW, CAP 5/16-18 X 2-1/4	1
44	10801	WASHER, LOCK 5/16	1
45	10902	NUT, WING 5/16-18	1

PARTS FINDER

**Search Website
by Part Number**



**Search Manual
Library For Parts
Manual & Lookup Part
Numbers – Purchase
or Request Quote**

Search Manuals

Enter your information to help us find the right parts manual for your equipment.

* Brand:

* Model:

* Serial:

* Part Number:

SEARCH

**Can't Find Part or
Manual? Request Help
by Manufacturer,
Model & Description**

Parts Order Form

Please fill in the following information to help us find the right part for your equipment.

Manufacturer:	<input type="text"/>
Model:	<input type="text"/>
Description:	<input type="text"/>
Part Number:	<input type="text"/>
Quantity:	<input type="text"/>
Notes:	<input type="text"/>

Submit

Discount-Equipment.com is your online resource for quality parts & equipment.

Florida: **561-964-4949** Outside Florida TOLL FREE: **877-690-3101**

Need parts?

Click on this link: <http://www.discount-equipment.com/category/5443-parts/> and choose one of the options to help get the right parts and equipment you are looking for. Please have the machine model and serial number available in order to help us get you the correct parts. If you don't find the part on the website or on one of the online manuals, please fill out the request form and one of our experienced staff members will get back to you with a quote for the right part that your machine needs.

We sell worldwide for the brands: Genie, Terex, JLG, MultiQuip, Mikasa, Essick, Whiteman, Mayco, Toro Stone, Diamond Products, Generac Magnum, Airman, Haulotte, Barreto, Power Blanket, Nifty Lift, Atlas Copco, Chicago Pneumatic, Allmand, Miller Curber, Skyjack, Lull, Skytrak, Tsurumi, Husquvarna Target, Stow, Wacker, Sakai, Mi-T-M, Sullair, Basic, Dynapac, MBW, Weber, Bartell, Bennar Newman, Haulotte, Ditch Runner, Menegotti, Morrison, Contec, Buddy, Crown, Edco, Wyco, Bomag, Laymor, EZ Trench, Bil-Jax, F.S. Curtis, Gehl Pavers, Heli, Honda, ICS/PowerGrit, IHI, Partner, Imer, Clipper, MMD, Koshin, Rice, CH&E, General Equipment, Amida, Coleman, NAC, Gradall, Square Shooter, Kent, Stanley, Tamco, Toku, Hatz, Kohler, Robin, Wisconsin, Northrock, Oztec, Toker TK, Rol-Air, APT, Wylie, Ingersoll Rand / Doosan, Innovatech, Con X, Ammann, Mecalac, Makinex, Smith Surface Prep, Small Line, Wanco, Yanmar