

REVISED STARTING SERIAL#2013



GASOLINE POWERED
20" MASONRY SAW
PARTS LIST MANUAL



Model GMS-20



PARTS FINDER

**Search Website
by Part Number**



**Search Manual
Library For Parts
Manual & Lookup Part
Numbers – Purchase
or Request Quote**

Search Manuals

Enter your information to help us find the right parts manual for your machine.

* Brand:

* Model:

* Serial:

* Part Number:

SEARCH

**Can't Find Part or
Manual? Request Help
by Manufacturer,
Model & Description**

Parts Order Form

Please fill in the following information to help us find the right part for your machine.

Manufacturer:	<input type="text"/>
Model:	<input type="text"/>
Description:	<input type="text"/>
Part Number:	<input type="text"/>
Quantity:	<input type="text"/>
Notes:	<input type="text"/>

Discount-Equipment.com is your online resource for quality parts & equipment.

Florida: **561-964-4949** Outside Florida TOLL FREE: **877-690-3101**

Need parts?

Click on this link: <http://www.discount-equipment.com/category/5443-parts/> and choose one of the options to help get the right parts and equipment you are looking for. Please have the machine model and serial number available in order to help us get you the correct parts. If you don't find the part on the website or on one of the online manuals, please fill out the request form and one of our experienced staff members will get back to you with a quote for the right part that your machine needs.

We sell worldwide for the brands: Genie, Terex, JLG, MultiQuip, Mikasa, Essick, Whiteman, Mayco, Toro Stone, Diamond Products, Generac Magnum, Airman, Haulotte, Barreto, Power Blanket, Nifty Lift, Atlas Copco, Chicago Pneumatic, Allmand, Miller Curber, Skyjack, Lull, Skytrak, Tsurumi, Husquvarna Target, Stow, Wacker, Sakai, Mi-T-M, Sullair, Basic, Dynapac, MBW, Weber, Bartell, Bennar Newman, Haulotte, Ditch Runner, Menegotti, Morrison, Contec, Buddy, Crown, Edco, Wyco, Bomag, Laymor, EZ Trench, Bil-Jax, F.S. Curtis, Gehl Pavers, Heli, Honda, ICS/PowerGrit, IHI, Partner, Imer, Clipper, MMD, Koshin, Rice, CH&E, General Equipment, Amida, Coleman, NAC, Gradall, Square Shooter, Kent, Stanley, Tamco, Toku, Hatz, Kohler, Robin, Wisconsin, Northrock, Oztec, Toker TK, Rol-Air, APT, Wylie, Ingersoll Rand / Doosan, Innovatech, Con X, Ammann, Mecalac, Makinex, Smith Surface Prep, Small Line, Wanco, Yanmar

READ AND UNDERSTAND THE OPERATORS INSTRUCTION MANUAL THOROUGHLY BEFORE ATTEMPTING TO OPERATE THIS EQUIPMENT. Death or serious injury could occur if this machine is used improperly.



SAFETY MESSAGES



The safety instructions are preceded by a graphic alert message of DANGER, WARNING, or CAUTION.



Indicates an imminent hazard which, if not avoided, will result in death or serious injury.



Indicates an imminent hazard which, if not avoided, can result in death or serious injury.



Indicates hazards which, if not avoided, could result in serious injury and or damage to the equipment.

GASOLINE

Powered Equipment



- Do not operate gasoline powered equipment without adequate ventilation. Carbon monoxide is an invisible, odorless gas that can kill.

ELECTRICAL

Powered Equipment



- ELECTRICAL HAZARD** - Be sure equipment is properly grounded. Failure to comply could kill or result in serious injury.



The engine exhaust from this product contains chemicals known to the State of California to cause cancer, birth defects or other reproductive harm.

GENERAL INSTRUCTIONS



- You must read and understand the operators instruction manual and all other manuals associated with this machine. For your safety and the safety of others around you, it is extremely important to fully understand how to operate this machine in the way it was intended. Different model machines or older/newer versions of the same model may have different parts and controls that you need to understand. If instructions are not readable or available DO NOT USE this machine and contact Discount-equipment for a replacement Manual.
- You must be able to physically handle the bulk weight and power of this machine. If not properly controlled this machine can cause death or serious injury.
- Do not operate this machine in an impaired mental state. You must be able to exercise good judgement and reactions to maintain a safe working environment.
- This is a "one person" machine which means only one operator can be operating the machine at any one time. For the safety of others, maintain a safe operating distance to other personnel. Your work area should be defined and appropriately marked so bystanders and coworkers do not stand or walk near this machine and end up seriously injured by flying debris or exposing them to harmful noise or dust.
- This equipment is for Commercial use. Although this is a "one person" machine your work team should understand how to shut this machine off and quickly get medical help if an accident strikes the operator.
- Keep all guards in place during operation. The guards are to provide protection from inadvertent contact with dangerous moving parts, pinch points, or hot surfaces.
- Wear appropriate Personal Protective Equipment (PPE) including safety glasses, safety boots, work gloves, respiratory protection,

- hearing protection, and head protection. Do not wear loose clothing that can get tangled in moving parts. Failure to do so could result in dismemberment or death. **Wear an approved respirator when removing hazardous materials or when grinding/cutting dry materials. Some dust particles such as concrete dust can contain silicate particles which can cause silicosis (a very serious lung disease). Contact NIOSH or OSHA for further details. When wet grinding/cutting, avoid contact with the concrete/asphalt slurry which can cause serious skin irritations.**
- You must maintain this machine per the maintenance schedule in the operator manual. Remember before adjusting, servicing, or fueling this machine, disconnect the source of power to the machine by disconnecting the spark plug (Gas models), or by unplugging the electrical power cord (electric models) or air hose (Pneumatic models) AT THE MACHINE so you can assure yourself it remains unplugged while you are working on it. Do not modify this machine. Use only genuine EDCO parts and accessories. Repairs and service should be performed by approved EDCO dealers or authorized technicians.
- You should look carefully around the area before you begin work so you can identify potential hazards such as deck inserts, pipes, columns, openings, electrical cords or outlets, or any other objects protruding from the slab surface.
- This machine has no brain so you must use your own. There is no substitute for safety. The safety decals on the machine are to serve as a reminder for information you must already know before you begin using this machine. Take a moment to reread the safety decals each time you use the machine. If your machine is missing any decals, contact Discount-equipment for a replacement.

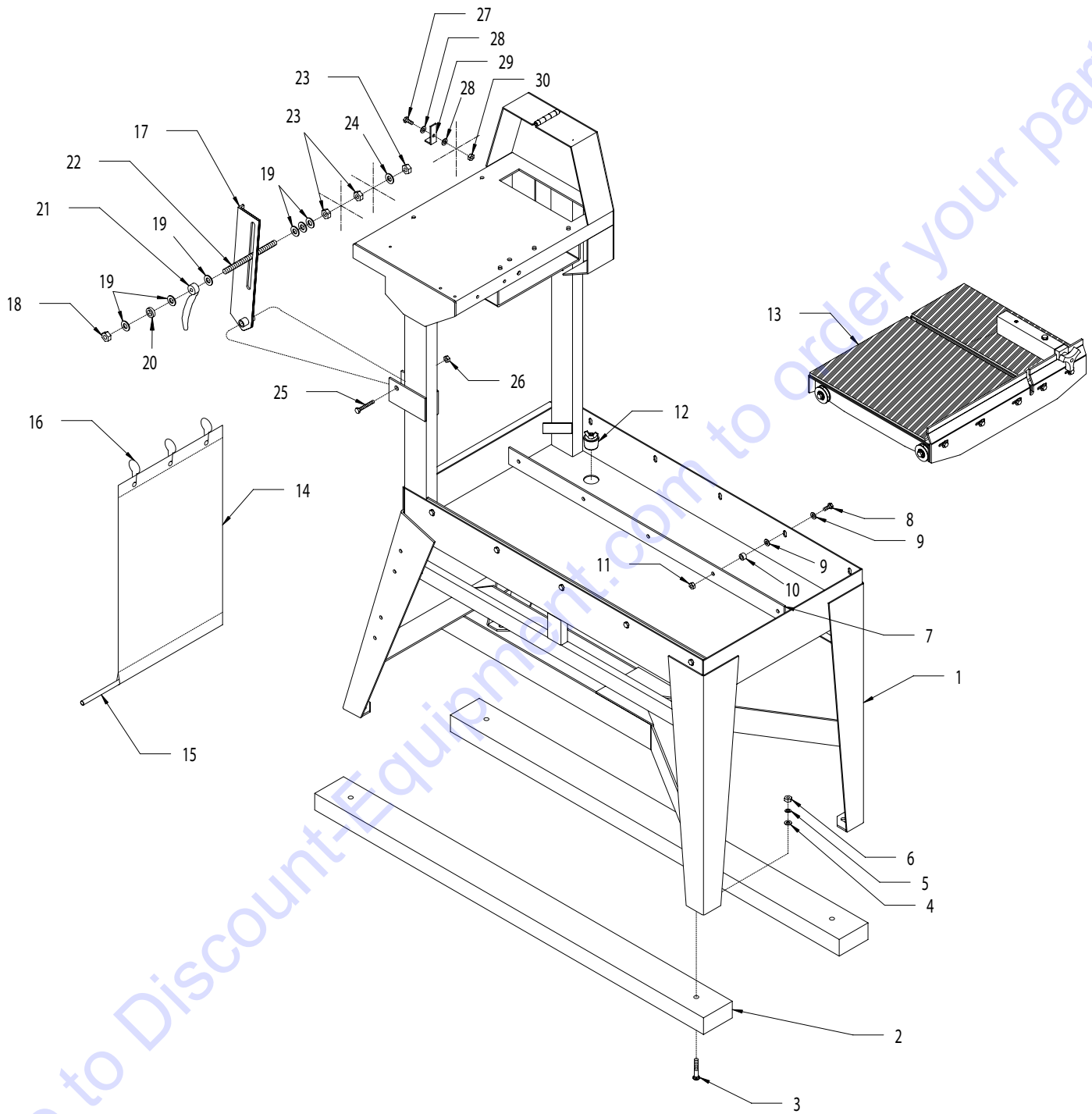
PARTS LIST MANUAL

MODEL GMS-20

Section	Page Number
Safety Messages / General Instructions	2
How To Order Replacement Parts	3
Illustration 1 : Main Grouping	4,5
Illustration 2 : Foot Pedal & Linkage Grouping	6,7
Illustration 3 : Water Pump & Blade Guard Grouping	8,9
Illustration 4 : Rolling Table Assembly Grouping	10
Illustration 5 : Arbor Assembly Grouping	11
Illustration 6 : Engine Grouping	12,13
Illustration 7 : Arbor Deck & Belt Cover Grouping	14
Illustration 8 : Belt Drive Assembly Grouping	15
Limited Equipment Warranty	back cover

GASOLINE POWERED 20" MASONRY SAWS		
PART NO.	MODEL	GASOLINE ENGINE POWER OPTION
22500	GMS20-9H	9 HP HONDA GX270-QXC9
21100	GMS20-11H	11 HP HONDA GX340K1-QXC9

ILLUSTRATION 1 : MAIN GROUPING

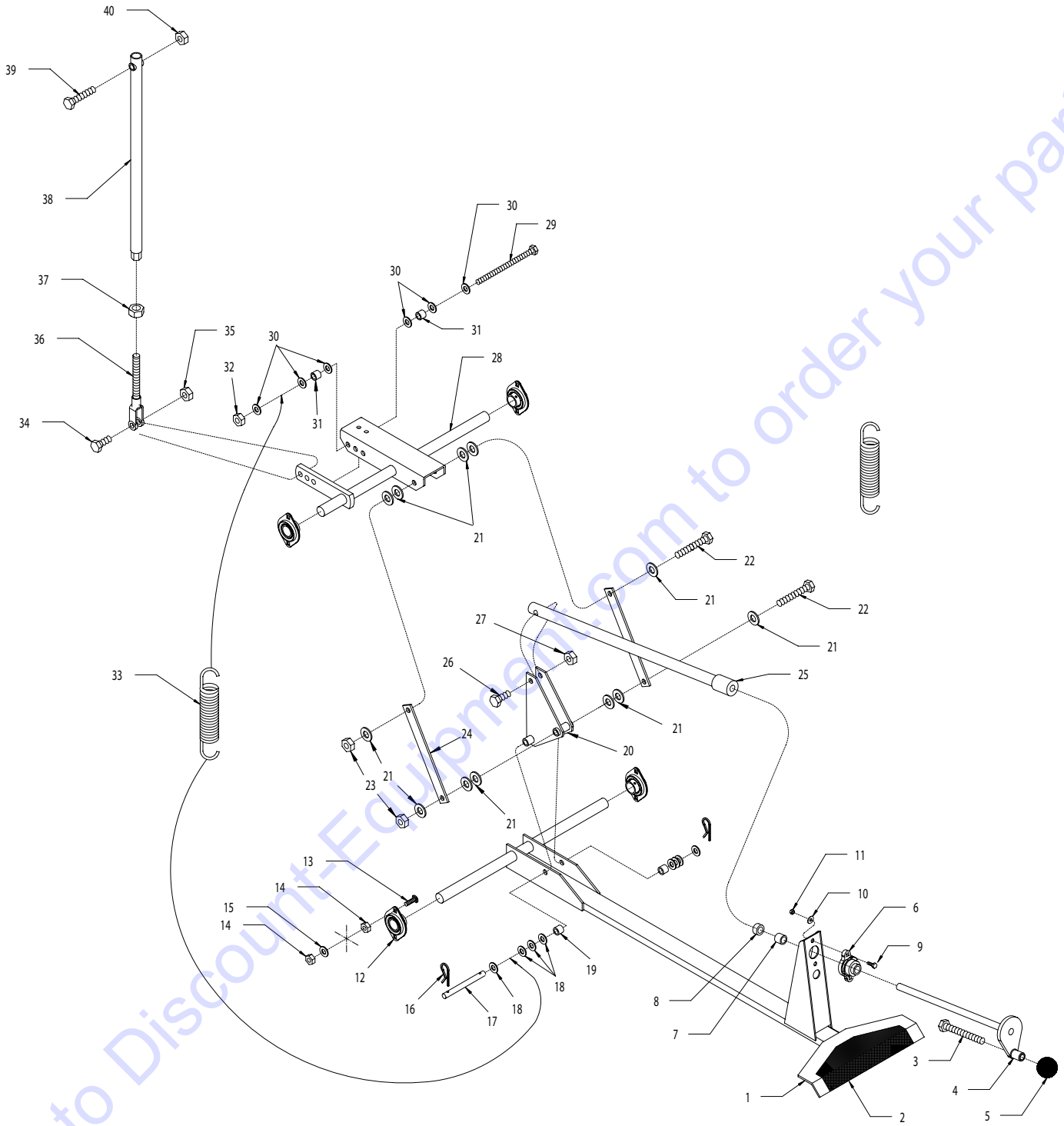


Go to Discount-Equipment.com to order your parts



PARTS LISTING - ILLUSTRATION 1 : MAIN GROUPING			
ITEM#	PART#	DESCRIPTION	QTY.
1	41001	STAND, PAN, & DECK ASSEMBLY	1
2	41002	SKID BOARD 2x4x54"L	2
3	10364	BOLT, CARRIAGE 3/8-16x2 FULL THD.	4
4	10025	WASHER, FLAT 3/8	4
5	10811	WASHER, LOCK 3/8	4
6	10404	NUT 3/8-16	4
7	41003	RAIL, GUIDE	2
8	10309	SCREW, CAP 3/8-24x1-1/4 PLATED	10
9	10025	WASHER, FLAT 3/8	20
10	10011	SPACER, STEEL 5/8" OD x 3/8" ID x 3/8" THK	10
11	10004	NUT, LOCK 3/8-24	10
12	40378	STOPPER ASSEMBLY 1-1/2"	1
13	41101	TABLE COMPLETE, ROLLING (REFER TO ILLUS. 5 FOR BREAKDOWN)	1
14	40375	CURTAIN 15"x28" W/ LOGO	1
15	40377	CURTAIN ROD 1/2" DIA. x 13"L	1
16	40376	HOOK, CURTAIN	3
17	41021	PLATE, PIVOT LOCK	1
18	10155	NUT, HEX NYLON LOCK 1/2-13	1
19	10312	WASHER, FLAT 1/2	6
20	79035	BUSHING, RUBBER 1-1/16" OD x 5/8" ID	1
21	40358	NUT, TAIL HANDLE 1/2-13	1
22	41108	ROD, ALLTHREAD 1/2-13x7"L	1
23	10417	NUT 1/2-13	3
24	10045	WASHER, LOCK 1/2	1
25	10343	SCREW, CAP 1/2-20x2-1/2	1
26	10205	NUT, LOCK 1/2-20	1
27	10053	SCREW, CAP 5/16-18x3/4	1
28	10213	WASHER, FLAT 5/16	2
29	40048	LATCH, BELT COVER	1
30	10807	NUT, LOCK 5/16-18	1

ILLUSTRATION 2 : FOOT PEDAL & LINKAGE GROUPING



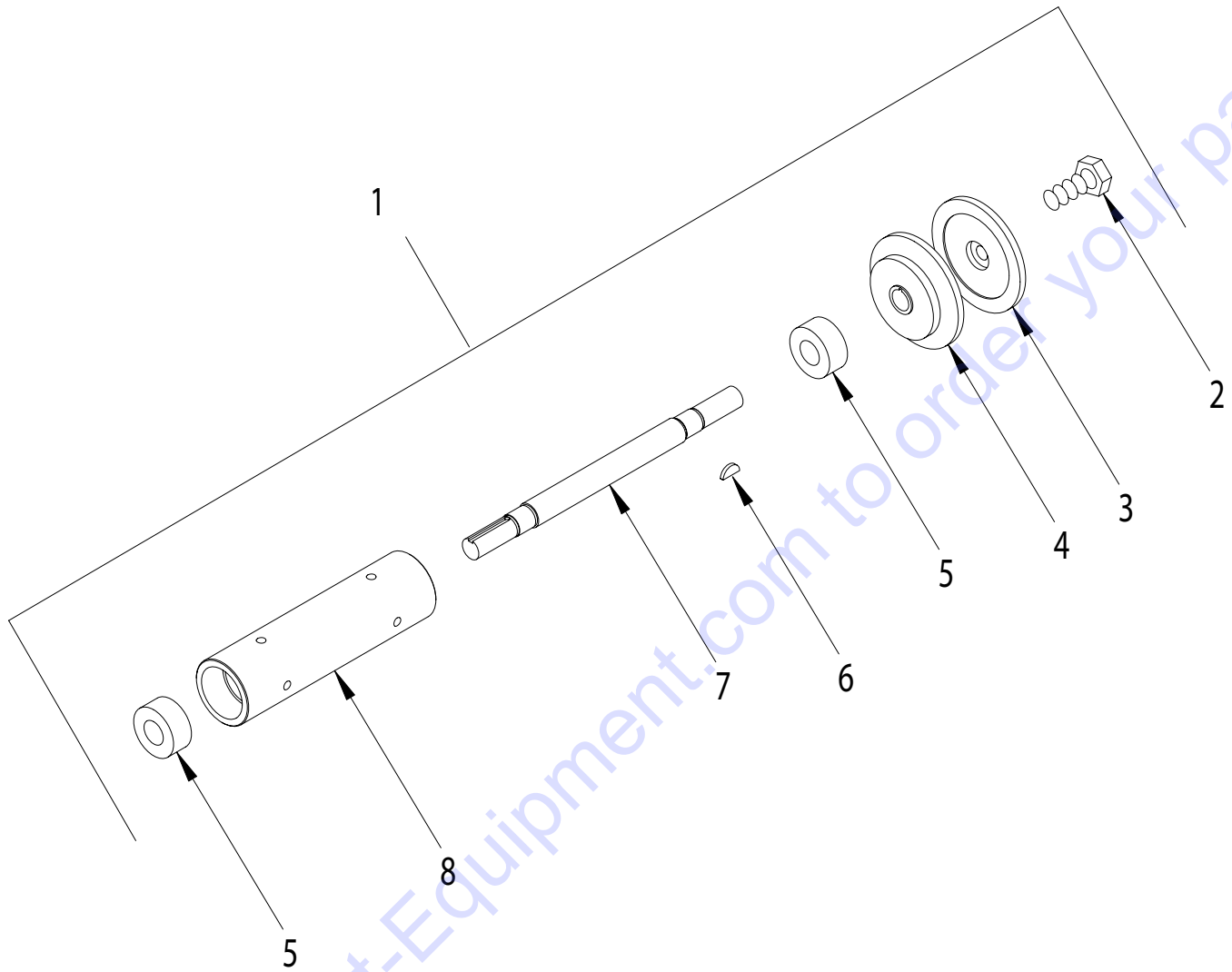
Go to DiscountEquipment.com to order your parts



PARTS LISTING - ILLUSTRATION 2 : FOOT PEDAL & LINKAGE GROUPING			
ITEM#	PART#	DESCRIPTION	QTY.
1	41121	TREADLE (FOOT PEDAL)	1
2	41132	TREAD, ABRASIVE, FOOT PEDAL	1
3	10346	SCREW, SKT. HD. CAP 1/2-13x4-1/2 ZINC	1
4	41012	HANDWHEEL, SMALL w/ 5/8-8x15" ROD	1
5	10104	KNOB, BALL 1-7/8 w/ 1/2-13 THD, BLK.	1
6	80009	BEARING, BALL 5/8" 2-HOLE FLANGE	1
7	55010	SPACER, HANDWHEEL 5/8"IDx3/4"L	1
8	10096	COLLAR, LOCKING 5/8"ID	1
9	10412	BOLT, CARRIAGE 1/4-20x1	2
10	10602	WASHER, FLAT 1/4	2
11	10861	NUT, KEPS 1/4-20	2
12	41060	BEARING, BALL 1" 2-HOLE SHEET METAL	4
13	10819	BOLT, CARRIAGE 5/16-18x1	8
14	10054	NUT 5/16-18	16
15	10801	WASHER, LOCK 5/16	8
16	61066	PIN, HAIR COTTER 1/2" (.125x1-3/4)	2
17	41044	PIN, FOOT PEDAL SPRING, 1/2x5-1/4	1
18	10312	WASHER, FLAT 1/2	8
19	41045	SPACER 3/4"ODx1/2"IDx5/8"L	2
20	41014	LINKAGE, PIVOT	1
21	10312	WASHER, FLAT 1/2	12
22	10409	SCREW, CAP 1/2-20x4-1/2	2
23	10205	NUT, LOCK 1/2-20	2
24	41015	LINKAGE, CONNECTING	2
25	41013	LINKAGE, CUT CONTROL	1
26	10322	SCREW, CAP 1/2-20x2	1
27	10205	NUT, LOCK 1/2-20	1
28	41122	TREADLE, TRANSFER ARM	1
29	10329	SCREW, CAP 1/2-20x6	1
30	10312	WASHER, FLAT 1/2	6
31	41045	SPACER 3/4" ODx1/2" IDx5/8"L	2
32	10154	NUT, HEX NYLON LOCK 1/2-20	1
33	41041	SPRING, EXT. 1.75" OD x 8"L	2
34	10308	SCREW, CAP 1/2-20x1-1/2	1
35	10205	NUT, LOCK 1/2-20	1
36	41019	CLEVIS, LINKAGE	1
37	10046	NUT 5/8-11	1
38	41018	LINKAGE, DRAG	1
39	10322	SCREW, CAP 1/2-20x2	1
40	10205	NUT, LOCK 1/2-20	1

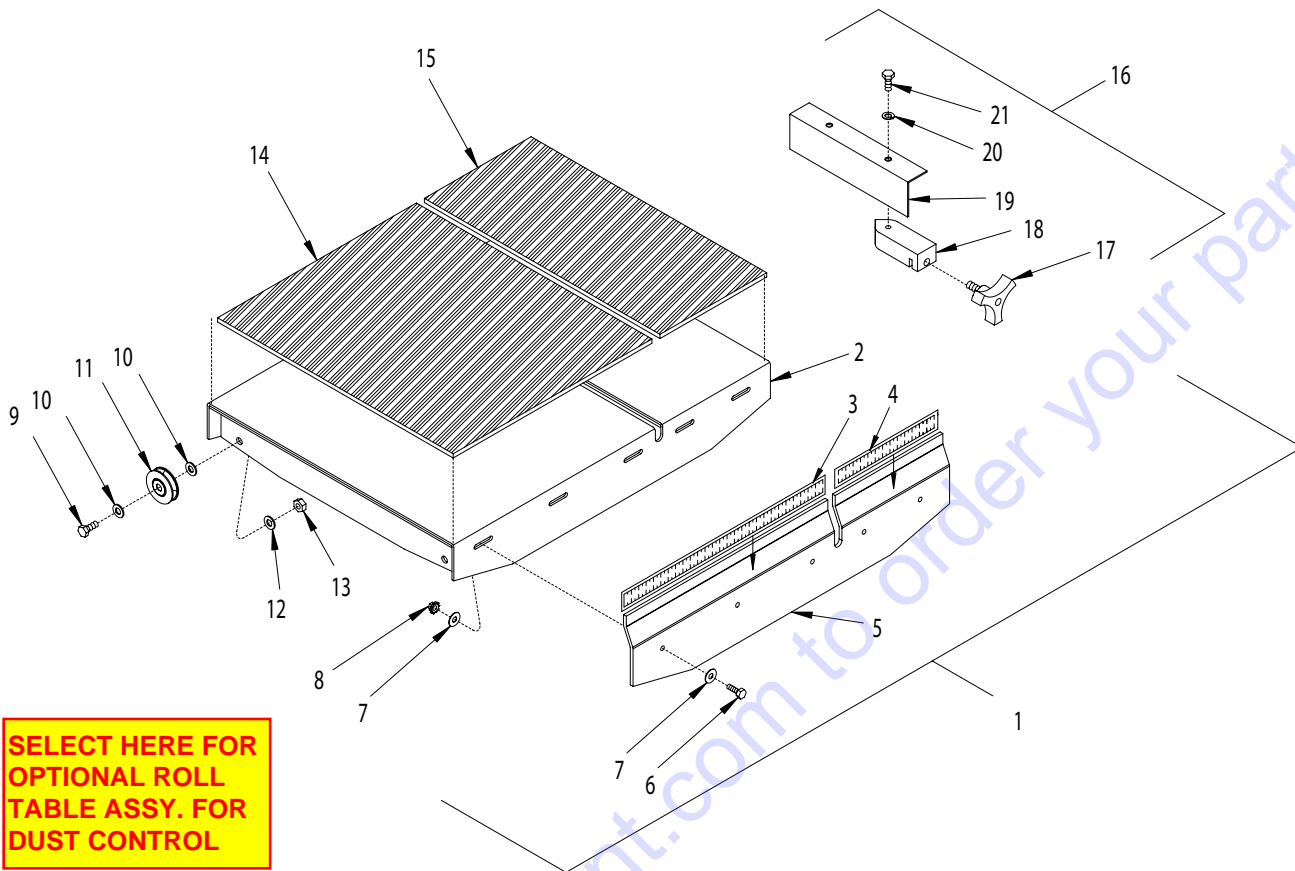
PARTS LISTING - ILLUSTRATION 3 : WATER PUMP & BLADE GUARD GROUPING			
ITEM#	PART#	DESCRIPTION	QTY.
1	41026G	GUARD SUBASSY., BLADE 20" (INCLUDES ITEMS 2-21)	1
2	41026	GUARD, BLADE 20"	1
3	10104	KNOB, BALL 1-7/8" DIA. W/ 1/2-13 THD., BLACK	1
4	41027	SHAFT, HANDLE	1
5	41028	LOCK, HANDLE	1
6	10025	WASHER, FLAT 3/8	1
7	10811	WASHER, LOCK 3/8	1
8	10404	NUT 3/8-16	1
9	41040	NOZZLE, COOLANT 1/4MPT W/ 10" TUBES	1
10	10830	SCREW, MACHINE 10-32x1/2	2
11	10831	WASHER, LOCK INT. TOOTH #10	2
12	61243	CLIP, COPPER 1/4"	2
13	10832	NUT 10-32	2
14	79035	BUSHING, RUBBER 1-1/16" OD x 5/8" ID	1
15	10040	WASHER, GARRET 17/32" ID x 1" OD x .054 THK	1
16	10707	ELBOW, FEMALE 1/4 NPT x 90 (BRASS)	1
17	50075	BARB 3/8 HOSE x 1/4 MPT	1
18	10018	SCREW, CAP 1/4-20x3/4	1
19	10602	WASHER, FLAT 1/4	2
20	41115	FLAP, SPLASH 2-1/2x8	1
21	10015	NUT, LOCK 1/4-20	1
22	10309	SCREW, CAP 3/8-24x1-1/4 PLATED	1
23	10025	WASHER, FLAT 3/8	2
24	10004	NUT, LOCK 3/8-24	1
25	10810	NUT, LOCK 3/8-16	1
26	40044	NUT, TAIL HANDLE 3/8-16	1
27	10011	SPACER, STEEL 5/8" OD x 3/8" ID x 3/8" THK	1
28	10025	WASHER, FLAT 3/8	1
29	10040	WASHER, GARRET 17/32" ID x 1" OD x .054 THK	1
30	10364	BOLT, CARRIAGE 3/8-16x2 FULL THD.	1
31	41046	HOSE 5/16" ID x 28" L	1
32	80011	KNOB, 3-PRONG W/ 3/8-16 THD.	1
33	10025	WASHER, FLAT 3/8	2
34	56018	BUSHING, RUBBER 1" OD x 3/8" ID x 1/4" THK.	1
35	41034	MOUNT, WATER PUMP	1
36	10040	WASHER, GARRET 17/32" ID x 1" OD x .054 THK	1
37	10909	BOLT, CARRIAGE 3/8-16x3 FULL THD.	1
38	10018	SCREW, CAP 1/4-20x3/4	2
39	10602	WASHER, FLAT 1/4	2
40	10861	NUT, KEPS 1/4-20	2
41	40393	PUMP ASSEMBLY, FLOJET SELECT HERE FOR BREAKDOWN	1
42	10763	CLAMP, HOSE SPRING-TYPE 7/16" RED	6
43	40368	HOSE 5/16" ID x 7" L	1
44	40049	BULB, PRIMER 5/16"	1
45	41047	HOSE 5/16" ID x 16" L	1
46	40690	FILTER ASSY., WATER SELECT HERE FOR BREAKDOWN	1
47	40392	SHEAVE 4" OD x 1 GR.A x 5/16" BORE	1
48	10259	BELT AP-29	1
49	41054	RETAINER, WATER PUMP BELT	1
50	10602	WASHER, FLAT 1/4	1
51	10038	WASHER, LOCK 1/4	1
52	10018	SCREW, CAP 1/4-20x3/4	1

ILLUSTRATION 4 : ARBOR ASSEMBLY GROUPING



ITEM #	PART#	DESCRIPTION	QTY.
1	41113	ARBORASSEMBLY COMPLETE (ITEMS 2-8)	1
2	10321	SCREW, CAP 1/2-20x1-1/4	1
3	40023	ARBOR, BLADE RETAINING CAP 4"	1
4	40022	ARBOR, BACKING PLATE 4"	1
5	40018	BEARING, RADIAL BALL 20x47x20.6mm	2
6	40036	KEY, WOODRUFF 1/8 x 3/8 (#403)	1
7	41025	ARBOR SHAFT 11-1/4"L	1
8	41024	ARBOR HOUSING	1

ILLUSTRATION 5 : ROLLING TABLE ASSEMBLY GROUPING



**SELECT HERE FOR
OPTIONAL ROLL
TABLE ASSY. FOR
DUST CONTROL**

ITEM #	PART #	DESCRIPTION	QTY.
1	41101	TABLE COMPLETE, ROLLING (ITEMS 2-21)	1
2	41102	TABLE, ROLLING	1
3	40423	RULE, ADHESIVE BACKED, 1-13, R-L	1
4	40424	RULE, ADHESIVE BACKED, 1-7, L-R	1
5	41103	FRONT PANEL, ROLL TABLE	1
6	10018	SCREW, CAP 1/4-20X3/4	5
7	10602	WASHER, FLAT 1/4	10
8	10861	NUT, KEPS 1/4-20	5
9		SCREW, CAP	
	10309	3/8-24X1-1/4	2
	10816	3/8-24X1-1/2	2
10	10025	WASHER, FLAT 3/8	AS REQ'D.
11	3621	PULLEY BEARING 1-3/4DIA. X 3/8BORE (TRACK WHEEL)	4
12	10811	WASHER, LOCK 3/8	4
13	10014	NUT 3/8-24	4
14	41006	PAD 16X13-1/2	1
15	41007	PAD 16X7-1/4	1
16	41140	GUIDE SUBASSEMBLY, CUT	1
17	40425	KNOB, 3-PRONG W/ 3/8-16X5/8 STUD	1
18	42015	BLOCK, CUT GUIDE	1
19	41104	BRACKET, CUT GUIDE	1
20	10801	WASHER, LOCK 5/16	1
21	10053	SCREW, CAP 5/16-18X3/4	1



PARTS FINDER

**Search Website
by Part Number**



**Search Manual
Library For Parts
Manual & Lookup Part
Numbers – Purchase
or Request Quote**

Search Manuals

Enter your information to help us find the right parts manual for your machine.

* Brand:

* Model:

* Serial:

* Part Number:

SEARCH

**Can't Find Part or
Manual? Request Help
by Manufacturer,
Model & Description**

Parts Order Form

Please fill in the following information to help us find the right part for your machine.

Manufacturer:	<input type="text"/>
Model:	<input type="text"/>
Description:	<input type="text"/>
Part Number:	<input type="text"/>
Quantity:	<input type="text"/>
Notes:	<input type="text"/>

Submit

Discount-Equipment.com is your online resource for quality parts & equipment.

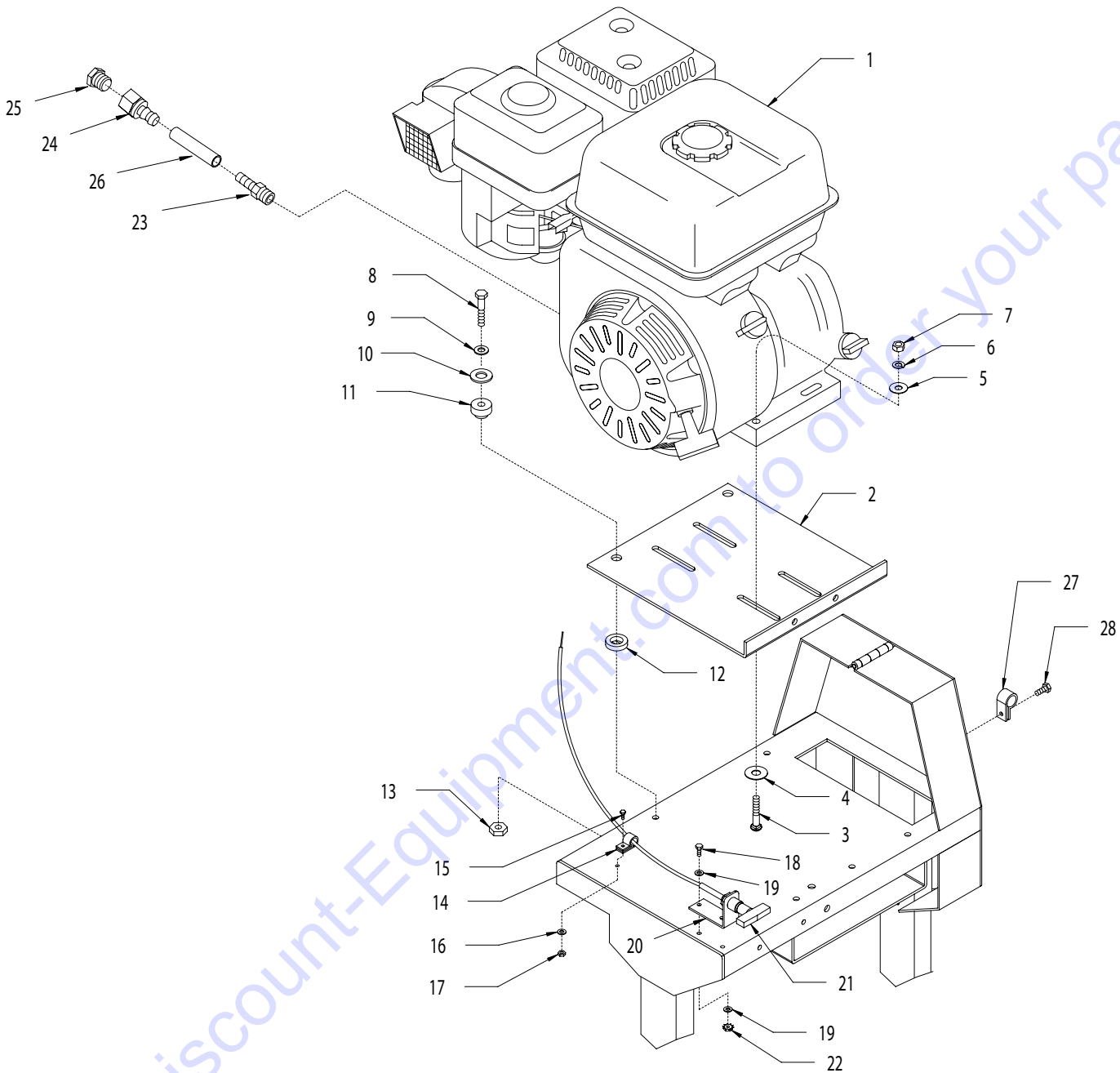
Florida: **561-964-4949** Outside Florida TOLL FREE: **877-690-3101**

Need parts?

Click on this link: <http://www.discount-equipment.com/category/5443-parts/> and choose one of the options to help get the right parts and equipment you are looking for. Please have the machine model and serial number available in order to help us get you the correct parts. If you don't find the part on the website or on one of the online manuals, please fill out the request form and one of our experienced staff members will get back to you with a quote for the right part that your machine needs.

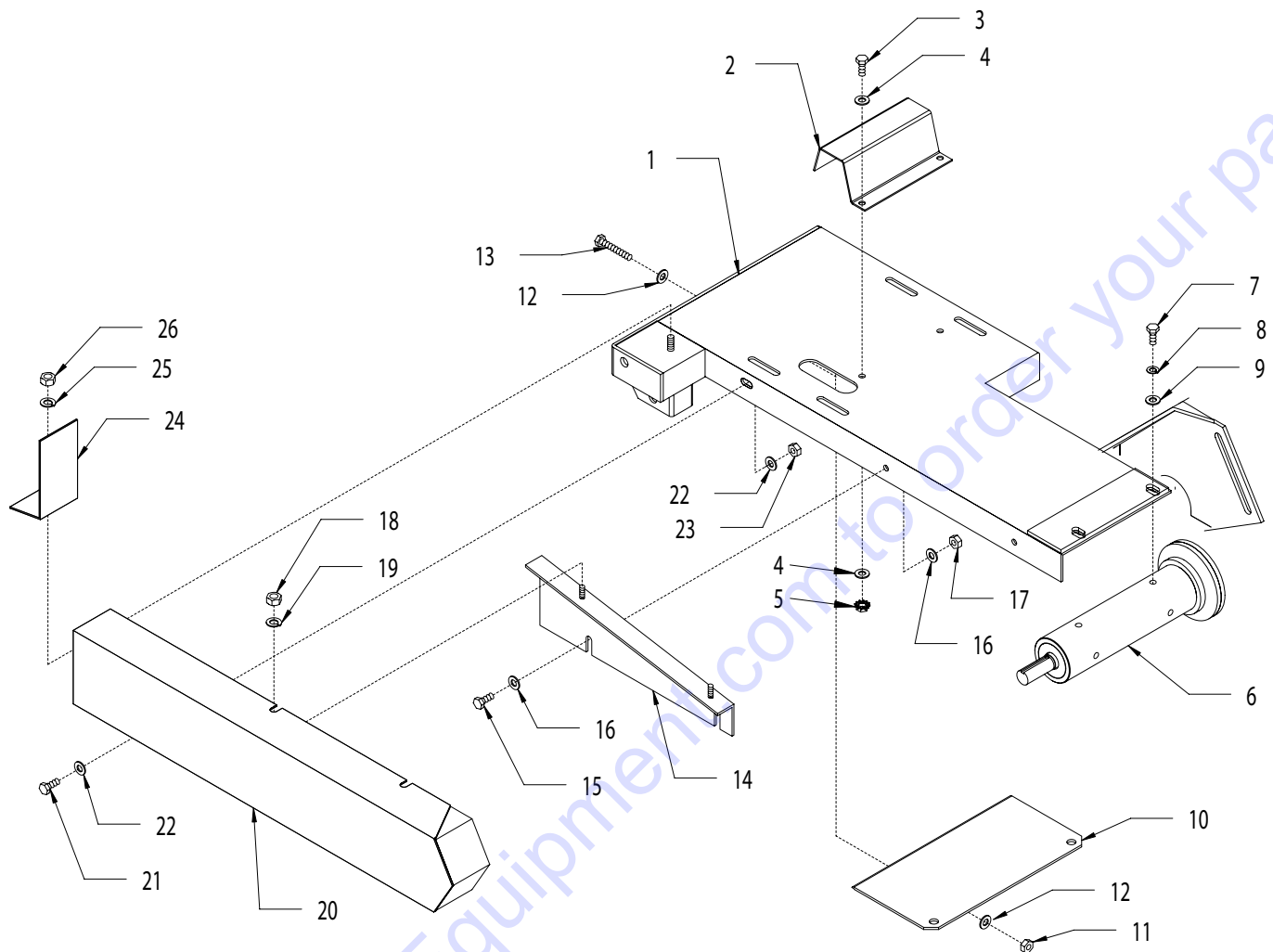
We sell worldwide for the brands: Genie, Terex, JLG, MultiQuip, Mikasa, Essick, Whiteman, Mayco, Toro Stone, Diamond Products, Generac Magnum, Airman, Haulotte, Barreto, Power Blanket, Nifty Lift, Atlas Copco, Chicago Pneumatic, Allmand, Miller Curber, Skyjack, Lull, Skytrak, Tsurumi, Husquvarna Target, Stow, Wacker, Sakai, Mi-T-M, Sullair, Basic, Dynapac, MBW, Weber, Bartell, Bennar Newman, Haulotte, Ditch Runner, Menegotti, Morrison, Contec, Buddy, Crown, Edco, Wyco, Bomag, Laymor, EZ Trench, Bil-Jax, F.S. Curtis, Gehl Pavers, Heli, Honda, ICS/PowerGrit, IHI, Partner, Imer, Clipper, MMD, Koshin, Rice, CH&E, General Equipment, Amida, Coleman, NAC, Gradall, Square Shooter, Kent, Stanley, Tamco, Toku, Hatz, Kohler, Robin, Wisconsin, Northrock, Oztec, Toker TK, Rol-Air, APT, Wylie, Ingersoll Rand / Doosan, Innovatech, Con X, Ammann, Mecalac, Makinex, Smith Surface Prep, Small Line, Wanco, Yanmar

ILLUSTRATION 6 : ENGINE GROUPING

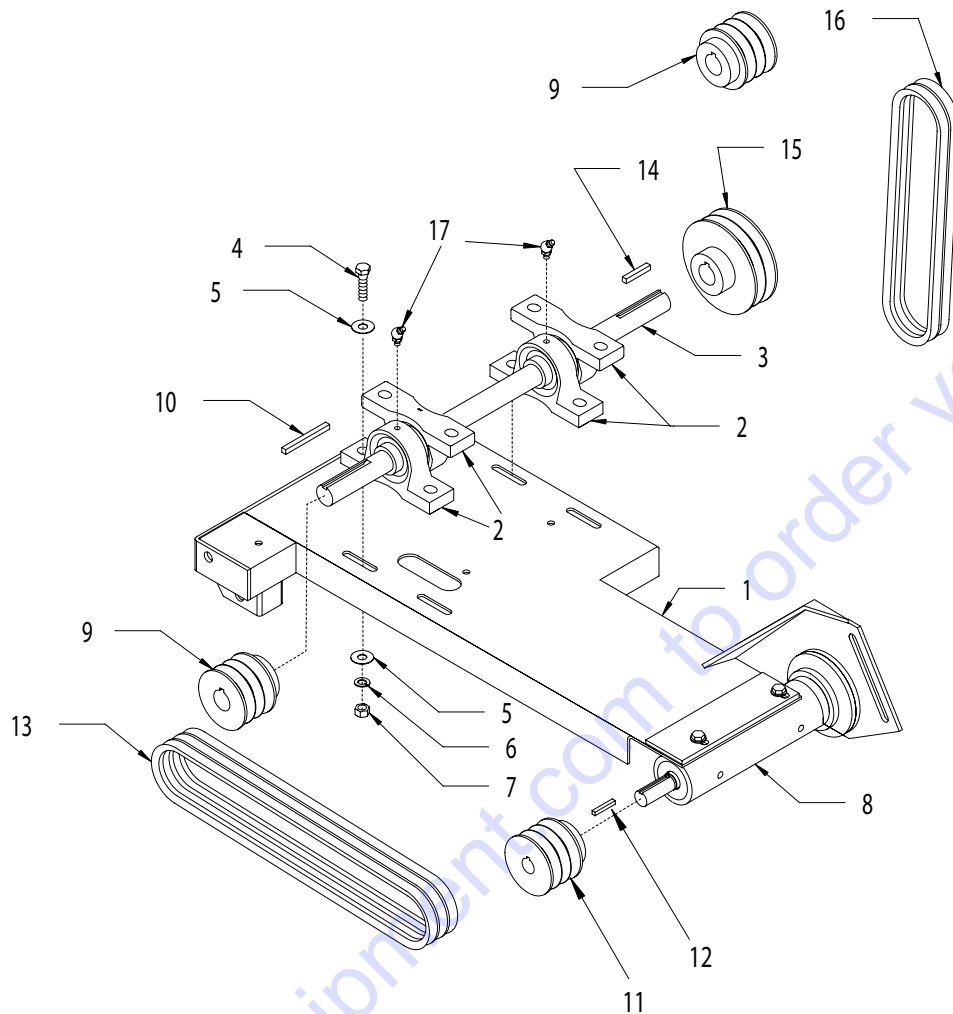


PARTS LISTING - ILLUSTRATION 6 : ENGINE GROUPING			
ITEM#	PART#	DESCRIPTION	QTY.
1		ENGINE, HONDA	1
	79045	11 HP GX340K1-QXC9	
	15027	9 HP GX270-QXC9	
2		MOUNT, ENGINE	1
	41035	11 HP HONDA	
	41049	9 HP HONDA	
3	10364	BOLT, CARRIAGE 3/8-16x2 FULL THD.	4
4	10040	WASHER, GARRET 17/32" ID x1"ODx.054THK	4
5	10025	WASHER, FLAT 3/8	4
6	10811	WASHER, LOCK 3/8	4
7	10404	NUT 3/8-16	4
8	10342	SCREW, CAP 5/16-18x1-1/2	4
9	10213	WASHER, FLAT 5/16	4
10	10312	WASHER, FLAT 1/2	4
11	10225	BUSHING, RUBBER ENGINE MOUNT	4
12	79035	BUSHING, RUBBER 1-1/16"OD x 5/8" ID x 1/4" THK.	4
13	10807	NUT, LOCK 5/16-18	4
14	10941	CLIP, CONDUIT, THROTTLE CABLE	1
15	10830	SCREW, MACHINE 10-32x1/2	1
16	10831	WASHER, LOCK, INT. TOOTH #10	1
17	10832	NUT 10-32	1
18	10018	SCREW, CAP 1/4-20x3/4	2
19	10602	WASHER, FLAT 1/4	4
20	64075	MOUNT BRACKET, THROTTLE CABLE	1
21	51081	CABLE, TURN-TO-LOCK CONTROL 72"	1
22	10861	NUT, KEPS 1/4-20	2
23	11542	BARB, PUSH-ON 3/8" HOSE x 12MM x 1.50 MALE	1
24	11544	BARB, PUSH-ON 3/8" HOSE x 1/4 FPT	1
25	10776	PIPE PLUG 1/4 NPT (BRASS)	1
26	56116	HOSE, PUSH-ON 3/8"ID x 3"L	1
27	11565	CLAMP, LOOM 5/8" (SAE SIZE 10)	1
28	10877	SCREW, CAP STSHW 10-24x1/2	1

ILLUSTRATION 7 : ARBOR DECK & BELT COVER GROUPING

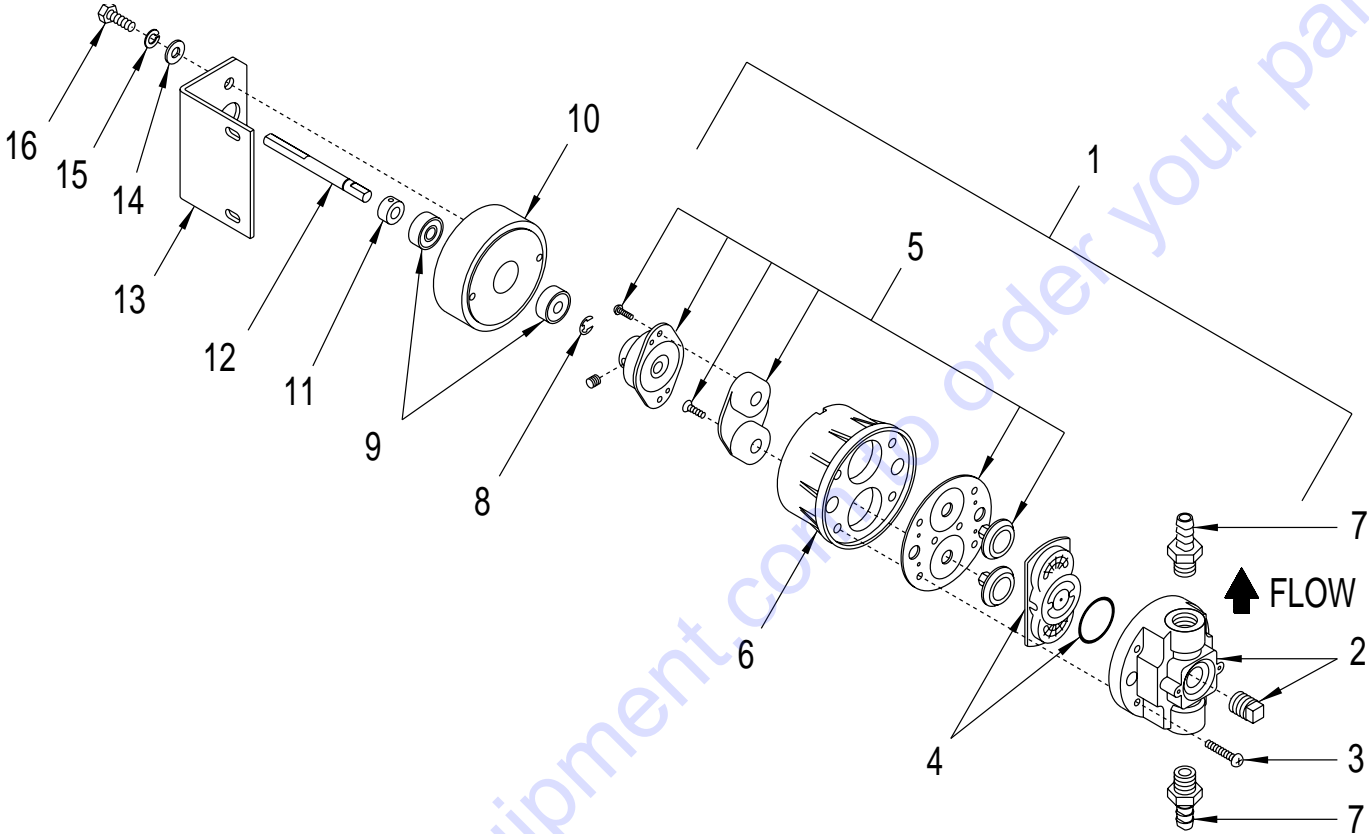


ITEM#	PART#	DESCRIPTION	QTY.	ITEM#	PART#	DESCRIPTION	QTY.
1	41022	DECK, ARBOR	1	14	41030	BRACKET, BELT COVER	1
2	41032	GUARD, JACK SHAFT	1	15	10053	SCREW, CAP 5/16-18x3/4	2
3	10018	SCREW, CAP 1/4-20x3/4	2	16	10213	WASHER, FLAT 5/16	4
4	10602	WASHER, FLAT 1/4	4	17	10807	NUT, LOCK 5/16-18	2
5	10861	NUT, KEPS 1/4-20	2	18	10861	NUT, KEPS 1/4-20	2
6	41113	ARBOR ASSY. COMPLETE (SEE ILLUSTRATION 4 FOR A BREAKDOWN)	1	19	10602	WASHER, FLAT 1/4	2
7	10332	SCREW, CAP 5/16-24x1	4	20	41029	COVER, BELT	1
8	10801	WASHER, LOCK 5/16	4	21	10053	SCREW, CAP 5/16-18x3/4	1
9	10213	WASHER, FLAT 5/16	4	22	10213	WASHER, FLAT 5/16	2
10	41023	BRACKET, TENSION	1	23	10807	NUT, LOCK 5/16-18	1
11	10156	NUT, HEX NYLON LOCK 3/8-16	1	24	40354	COVER END CAP, BELT	1
12	10025	WASHER, FLAT 3/8	2	25	10213	WASHER, FLAT 5/16	1
13	28025	BOLT, TAP 3/8-16x3 (FULL THD.)	1	26	10807	NUT, LOCK 5/16-18	1

ILLUSTRATION 8 : BELT DRIVE GROUPING


ITEM#	PART#	DESCRIPTION	QTY.
1	41022	ARBOR DECK	1
2	50016	BEARING, BALL 1" PILLOW BLOCK	4
3	41031	SHAFT, JACK 1" DIA. x 16-1/2" L	1
4	10029	SCREW, CAP 3/8-24x1-3/4	4
	10816	SCREW, CAP 3/8-24x1-1/2	4
5	10025	WASHER, FLAT 3/8	12
6	10811	WASHER, LOCK 3/8	8
7	10014	NUT 3/8-24	8
8	41113	ARBOR ASSY. COMPLETE	1
9	80027	SHEAVE 3" OD x 3 GR.A x 1" BORE	2
10	10071	KEY 1/4 SQ. x 2-1/2	1
11	81011M	SHEAVE 3"OD X 3GR.A X 3/4B MACH.HUB	1
12	10060	KEY 3/16 SQ X 1-1/4	1
13	10240	BELT AP-44	3
14	10301	KEY 1/4 SQ. x 1-1/2	1
15	10513	SHEAVE 4.5" OD x 2 GR.A x 1" BORE	1
16	10239	BELT AP-32	2
17	10960	FITTING, GREASE 1/4-28x45D	4

WATER PUMP ASSEMBLY
PART # 40393
 FOR MODELS GMS-14 & GMS-20

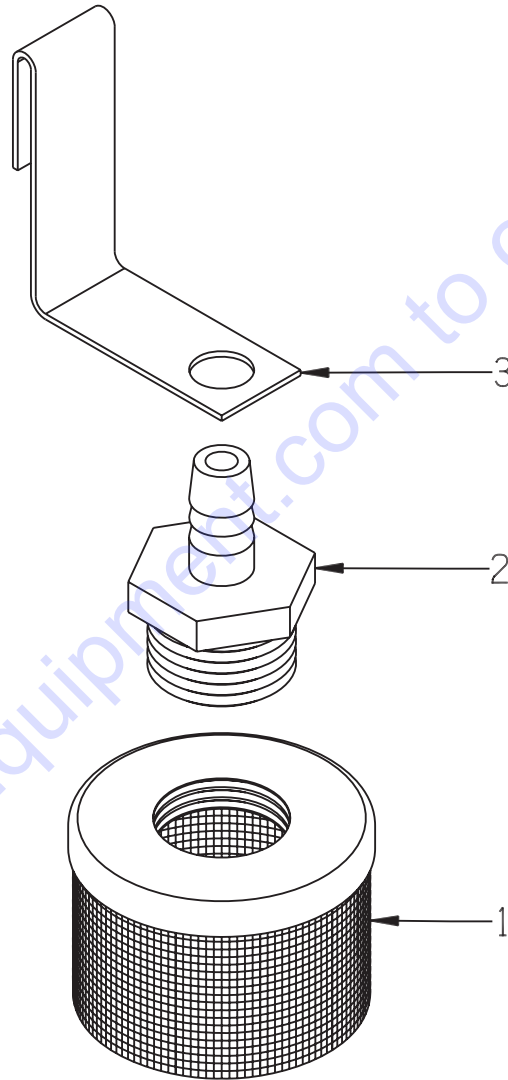


ITEM #	PART #	DESCRIPTION	QTY.
1	56101-S1	PUMP HEAD REPLACEMENT, DUPLEX 21050-653A (INCLUDES ITEMS 2 THRU 7)	1
2	56101-S2	HOUSING BODY 20500-507	1
3	56101-S3	SCREWS 20131-001 (SET OF 6)	1-SET
4	56101-S4	CHECK VALVE KIT 20028-008	1
5	56101-S5	DIAPHRAGM KIT W/ BEARING 21004-401	1
6	56101-S6	HOUSING BEARING COVER 20428-100	1
7	40319	BARB, 5/16 HOSE x 3/8 MPT (PLASTIC)	2
8	10137	RETAINING RING, E-CLIP 5/16"	1
9	40391	BEARING, RADIAL BALL 5/16 x 7/8 x 11/32	2
10	40393-S1	HUB	1
11	10415	COLLAR, LOCKING 5/16" I.D.	1
12	40393-S2	SHAFT 5/16 x 3-3/4	1
13	40393-S3	MOUNT BRACKET	1
14	10602	WASHER, FLAT 1/4	2
15	10038	WASHER, LOCK 1/4	2
16	10018	SCREW, CAP 1/4-20x3/4	2



WATER FILTER ASSEMBLY FOR GASOLINE POWERED MASONRY SAWS

PART # 40690



ITEM #	PART #	DESCRIPTION	QTY.
1	40691	FILTER BASKET 3/4NPT, 16 MESH S.S.	1
2	40692	BARB, 3/8HOSE X 3/4NPT (NYLON)	1
3	40693	CLIP, FILTER HANGER (S.S.)	1



A Division of Equipment Development Company, Inc.

3/4" HEX, ARBOR WRENCH KIT - PART NO. 53021K

Can be used on all EDCO MASONRY or
HARDSCAPE saws except model GMS-10

Use on Model:

MS-14
GMS-14
GMS-14A
HSS-14
MS-20
GMS-20

3/4" HEX
Arbor Wrench
P/N 53021



Wrench Bracket
P/N 53029



1/4-20 x 1/2"
Self-Tapping Screws
P/N 10846

Tools Required:
7/32" HSS Drill Bit and Drill
3/8" Nut Driver or Socket w/ratchet
Hammer and center punch



NEW STYLE DUST CONTROL SYSTEM FOR EDCO 20" MASONRY SAWS

STARTING SERIAL # 051110064

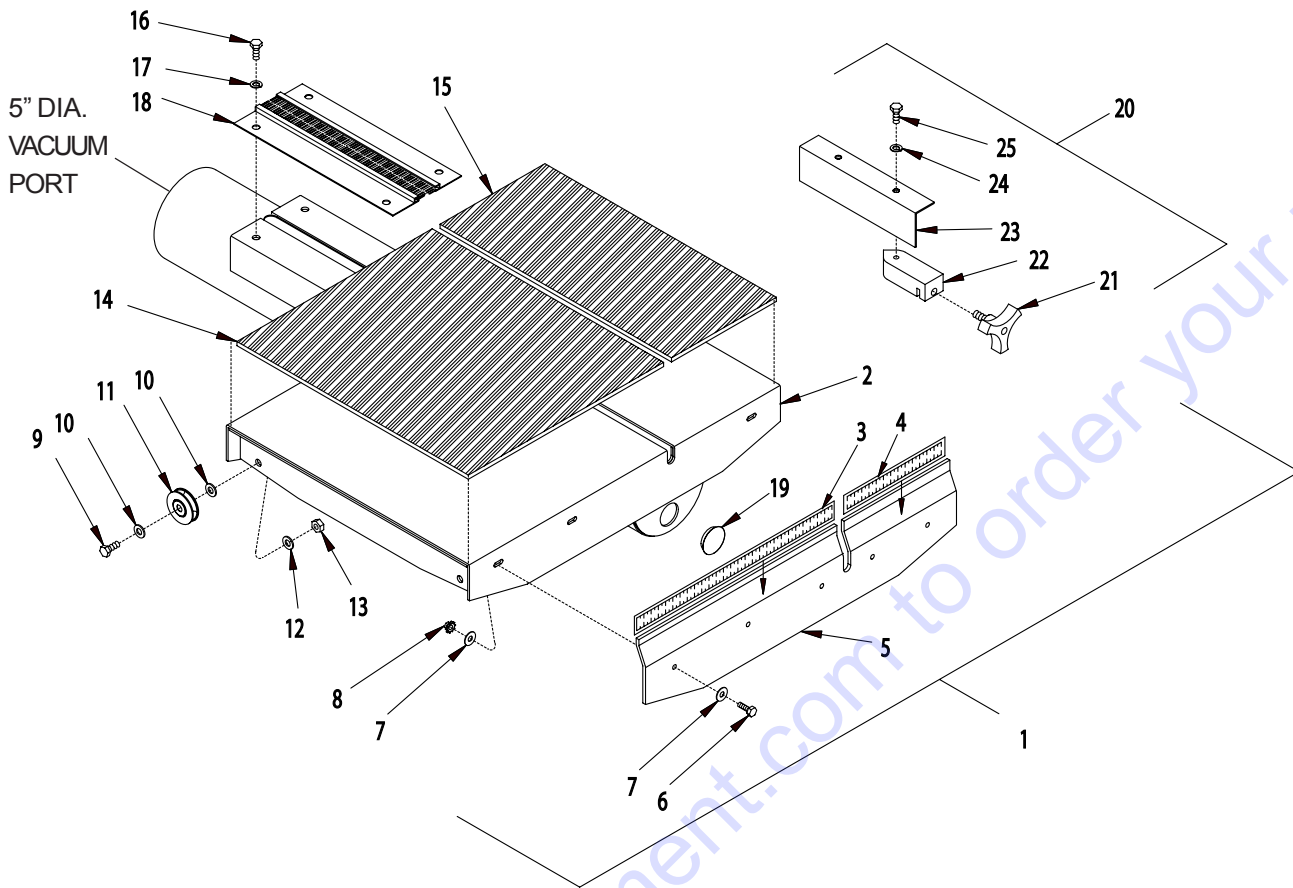
PARTS LIST



MODEL GMS-20 SHOWN WITH
NEW EDCO SPIRAL DRY VAC
(GASOLINE & ELECTRIC SYSTEMS ARE AVAILABLE)

EDCO

ILLUSTRATION 1: ROLL TABLE ASSY. FOR DUST CONTROL
PART # 41160



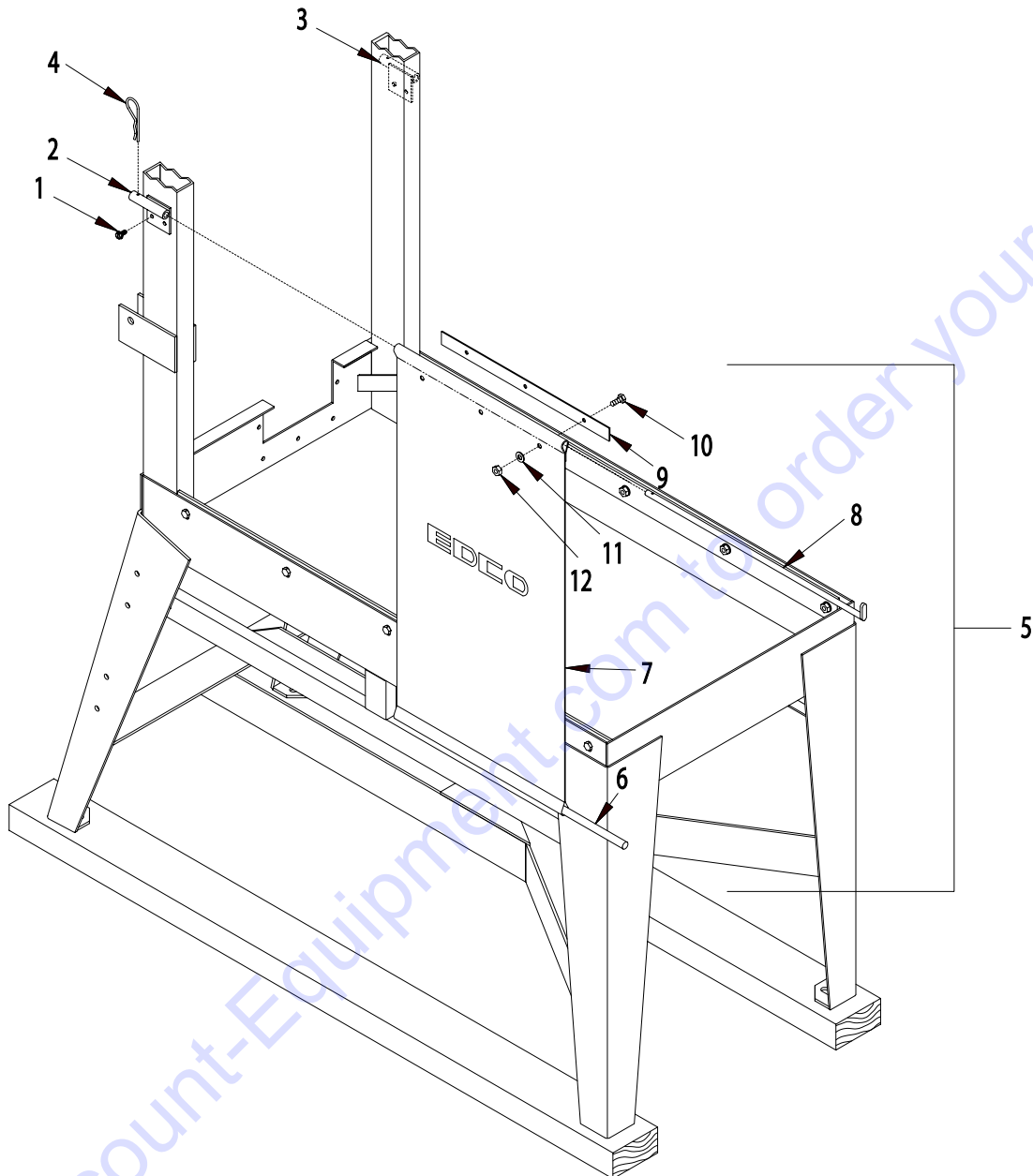
ITEM#	PART#	DESCRIPTION	QTY.
1	41160	TABLE ASSY., DUST CONTROL (INCLUDES ITEMS 2-25)	1
2	41161	TABLE ONLY, DUST CONTROL	1
3	40423	RULE, ADHESIVE-BACKED, 1-13, R-L	1
4	40424	RULE, ADHESIVE-BACKED, 1-7, L-R	1
5	41103	FRONT PANEL, ROLL TABLE	1
6	10018	SCREW, CAP 1/4-20 X 3/4	3
7	10602	WASHER, FLAT 1/4 SAE	6
8	10861	NUT, KEPS 1/4-20	3
9	10309	SCREW, CAP 3/8-24 X 1-1/4	2
	10816	SCREW, CAP 3/8-24 X 1-1/2	2
10	10025	WASHER, FLAT 3/8 SAE	AS REQ'D.
11	3621	PULLEY BEARING 1-3/4 DIA. X 3/8 BORE	4
12	10811	WASHER, LOCK 3/8	4
13	10004	NUT, LOCK 3/8-24	4
14	41006	PAD 16 X 13-1/2	1
15	41007	PAD 16 X 7-1/4	1
16	10834	SCREW, CAP 1/4-20 X 1/2	4
17	10038	WASHER, LOCK 1/4	4
18	41162	BRUSH SEAL, ROLL TABLE	2
19	28138	PLUG, HOLE 1-1/4"	1
20	41140	GUIDE SUBASSEMBLY, CUT (INCLUDES ITEMS 21-25)	1
21	40425	KNOB, 3-PRONG W/ 3/8-16 X 5/8 STUD	1
22	42015	BLOCK, CUT GUIDE	1
23	41104	BRACKET, CUT GUIDE	1
24	10801	WASHER, LOCK 5/16	1
25	10053	SCREW, CAP 5/16-18 X 3/4	1

NOTES:

- 1.) TO USE THIS STYLE ROLL TABLE, THE PAN ON THE MASONRY SAW MUST HAVE THE OPENING IN THE REAR TO ALLOW THE VACUUM PORT TO EXTEND OUT THE BACK. SEE ILLUS. 3.
- 2.) WHEN USING THIS STYLE ROLL TABLE, THE HEAD MUST BE LOCKED SO THE BOTTOM OF THE BLADE IS IN THE CHANNEL OPENING. DUST CONTROL WILL NOT BE EFFECTIVE WHEN CHOP CUTTING.

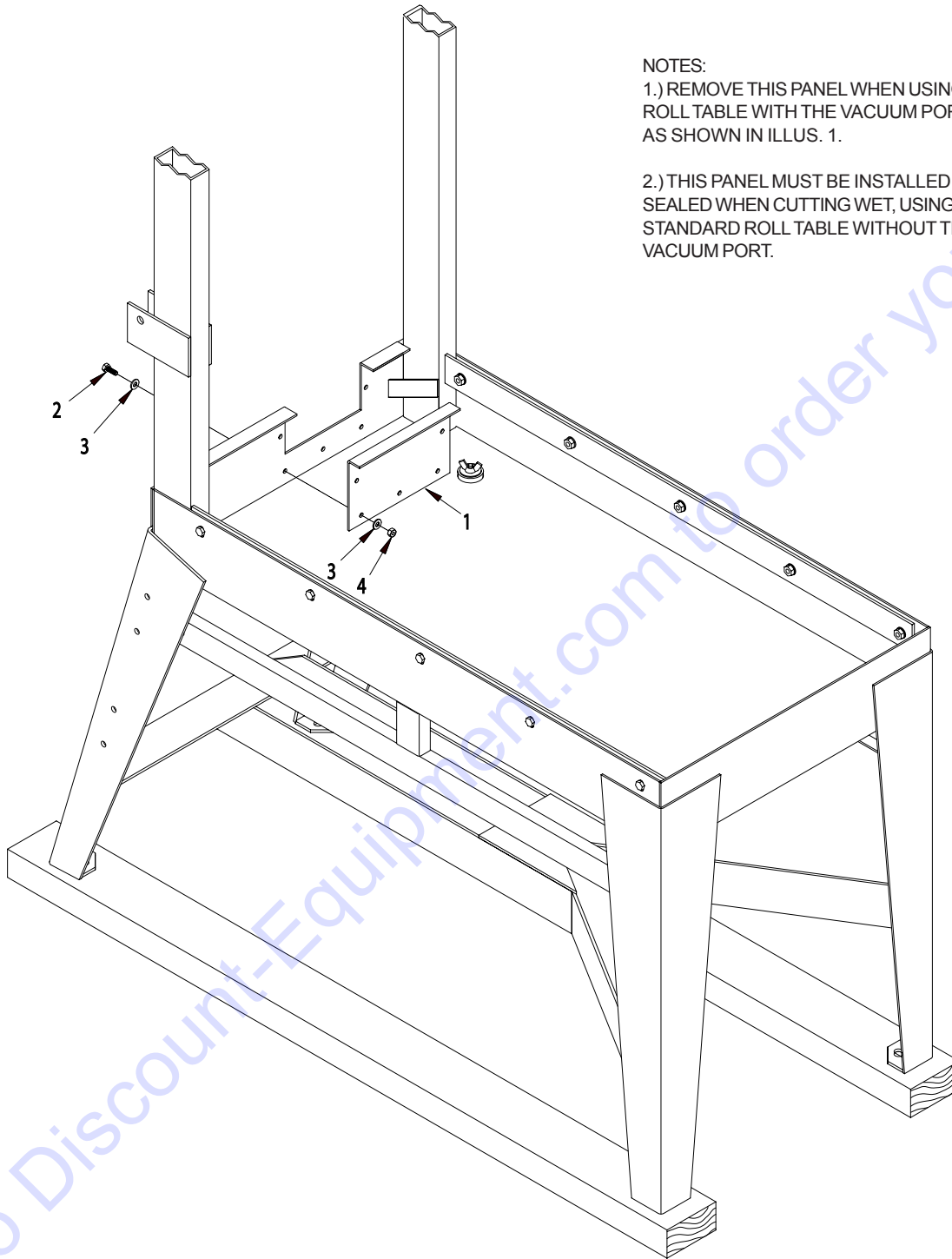


ILLUSTRATION 2: CURTAIN KIT FOR DUST CONTROL PART # 41155



ITEM#	PART#	DESCRIPTION	QTY.
1	10846	SCREW, CAP STSHW 1/4-20 X 1/2	4
2	40323A	LEFT MOUNTING BRKT., CURTAIN ROD	1
3	40323B	RIGHT MOUNTING BRKT., CURTAIN ROD	1
4	61066	PIN, HAIR COTTER 1/2"(.125 X 1-3/4)	2
5	41152A	CURTAIN & ROD SUBASSY. (INCLUDES ITEMS 6-12)	2
6	40377	CURTAIN ROD 1/2"DIA. X 13"L	2
7	40375	CURTAIN 15" X 28" W/ LOGO	2
8	41152	ROD, CURTAIN, DUST CONTROL SYSTEM	2
9	41153	BRACKET, CURTAIN, DUST CONTROL SYSTEM	2
10	10018	SCREW, CAP 1/4-20 X 3/4	6
11	10602	WASHER, FLAT 1/4 SAE	6
12	10150	NUT, HEX NYLON LOCK 1/4-20	6

ILLUSTRATION 3: REAR CLOSE-OFF PANEL GROUPING



NOTES:

1.) REMOVE THIS PANEL WHEN USING THE ROLL TABLE WITH THE VACUUM PORT AS SHOWN IN ILLUS. 1.

2.) THIS PANEL MUST BE INSTALLED AND SEALED WHEN CUTTING WET, USING THE STANDARD ROLL TABLE WITHOUT THE VACUUM PORT.

ITEM#	PART#	DESCRIPTION	QTY.
1	41159	PANEL, REAR CLOSE-OFF <i>USE SILICONE CAULKING AROUND PAN CUTOUT TO SEAL</i>	1
2	10018	SCREW, CAP 1/4-20 X 3/4	5
3	10602	WASHER, FLAT 1/4 SAE	5
4	10861	NUT, KEPS 1/4-20	5

MODEL GMS-20 OPTIONAL CLUTCH KIT PART# 41055

NOTE:

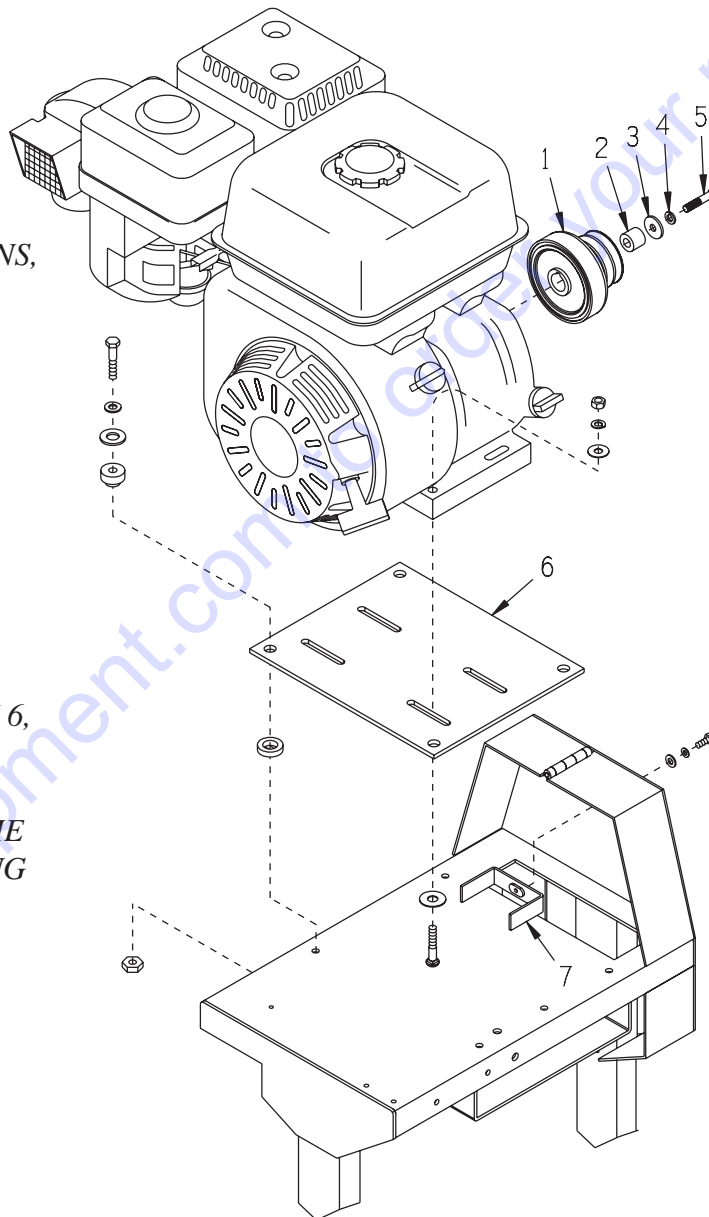
THIS OPTIONAL CLUTCH KIT IS AVAILABLE ON 11 & 13 HP HONDA UNITS. FOLLOW THESE INSTRUCTIONS, ALONG WITH THE ILLUSTRATION TO THE RIGHT, TO UPGRADE THE MACHINE WITH THIS OPTION.

STEP 1: REMOVE ENGINE FROM MACHINE, THEN REMOVE THE PULLEY FROM ENGINE SHAFT. INSTALL ITEMS 1-5 ONTO THE ENGINE SHAFT.

STEP 2: REMOVE EXISTING ENGINE MOUNT AND REPLACE IT WITH ITEM 6, USING EXISTING HARDWARE.

STEP 3: REINSTALL ENGINE ONTO THE NEW ENGINE MOUNT USING EXISTING HARDWARE.

STEP 4: REMOVE EXISTING BELT RETAINER BRACKET AND REPLACE WITH ITEM 7, USING EXISTING HARDWARE.



ITEM#	PART#	DESCRIPTION	QTY.
1	40335	CLUTCH, CENTRIFUGAL 3 X 3GR X 1	1
2	41056	SPACER 1"OD X 1/2"ID X 27/32"L	1
3	72006	WASHER, 1-1/4OD X 13/32ID X 1/8THK	1
4	10811	WASHER, LOCK 3/8	1
5	10030	SCREW, CAP 3/8-24 X 2	1
6	41057	MOUNT PLATE, ENGINE, GMS20 W/ CLUTCH	1
7	41058	RETAINER, BELT, GMS20 W/ CLUTCH	1



A Division of Equipment Development Company, Inc.

PARTS FINDER

**Search Website
by Part Number**



**Search Manual
Library For Parts
Manual & Lookup Part
Numbers – Purchase
or Request Quote**

Search Manuals

Enter your information to help us find the right parts manual for your machine.

* Brand:

* Model:

* Serial:

* Part Number:

SEARCH

**Can't Find Part or
Manual? Request Help
by Manufacturer,
Model & Description**

Parts Order Form

Please fill in the following information to help us find the right part for your machine.

Manufacturer:	<input type="text"/>
Model:	<input type="text"/>
Description:	<input type="text"/>
Part Number:	<input type="text"/>
Quantity:	<input type="text"/>
Notes:	<input type="text"/>

Discount-Equipment.com is your online resource for quality parts & equipment.

Florida: **561-964-4949** Outside Florida TOLL FREE: **877-690-3101**

Need parts?

Click on this link: <http://www.discount-equipment.com/category/5443-parts/> and choose one of the options to help get the right parts and equipment you are looking for. Please have the machine model and serial number available in order to help us get you the correct parts. If you don't find the part on the website or on one of the online manuals, please fill out the request form and one of our experienced staff members will get back to you with a quote for the right part that your machine needs.

We sell worldwide for the brands: Genie, Terex, JLG, MultiQuip, Mikasa, Essick, Whiteman, Mayco, Toro Stone, Diamond Products, Generac Magnum, Airman, Haulotte, Barreto, Power Blanket, Nifty Lift, Atlas Copco, Chicago Pneumatic, Allmand, Miller Curber, Skyjack, Lull, Skytrak, Tsurumi, Husquvarna Target, Stow, Wacker, Sakai, Mi-T-M, Sullair, Basic, Dynapac, MBW, Weber, Bartell, Bennar Newman, Haulotte, Ditch Runner, Menegotti, Morrison, Contec, Buddy, Crown, Edco, Wyco, Bomag, Laymor, EZ Trench, Bil-Jax, F.S. Curtis, Gehl Pavers, Heli, Honda, ICS/PowerGrit, IHI, Partner, Imer, Clipper, MMD, Koshin, Rice, CH&E, General Equipment, Amida, Coleman, NAC, Gradall, Square Shooter, Kent, Stanley, Tamco, Toku, Hatz, Kohler, Robin, Wisconsin, Northrock, Oztec, Toker TK, Rol-Air, APT, Wylie, Ingersoll Rand / Doosan, Innovatech, Con X, Ammann, Mecalac, Makinex, Smith Surface Prep, Small Line, Wanco, Yanmar