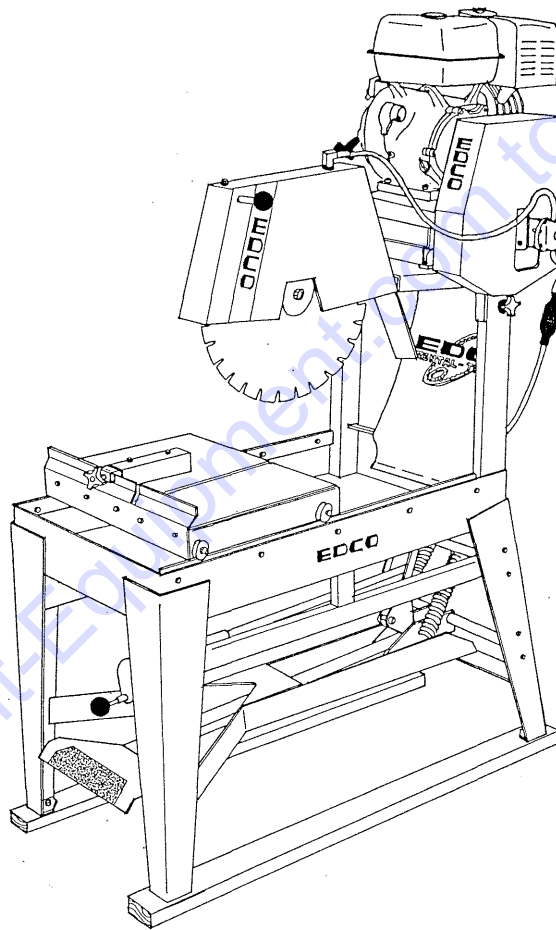


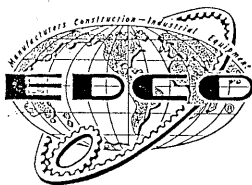
REVISED NOVEMBER 1, 1993

MASONRY SAW

PARTS LIST MANUAL



MODELS GMS-20 & MS-20(10 H.P.)



**Discount
Equipment**

PRINTED IN U.S.A.

PARTS FINDER

**Search Website
by Part Number**



**Search Manual
Library For Parts
Manual & Lookup Part
Numbers – Purchase
or Request Quote**

Search Manuals

Enter your information to help us find the right parts manual for your machine.

* Brand:

* Model:

* Serial:

* Part Number:

SEARCH

**Can't Find Part or
Manual? Request Help
by Manufacturer,
Model & Description**

Parts Order Form

Please fill in the following information to help us find the right part for your machine.

Manufacturer:	<input type="text"/>
Model:	<input type="text"/>
Description:	<input type="text"/>
Part Number:	<input type="text"/>
Quantity:	<input type="text"/>
Notes:	<input type="text"/>

Submit

Discount-Equipment.com is your online resource for quality parts & equipment.

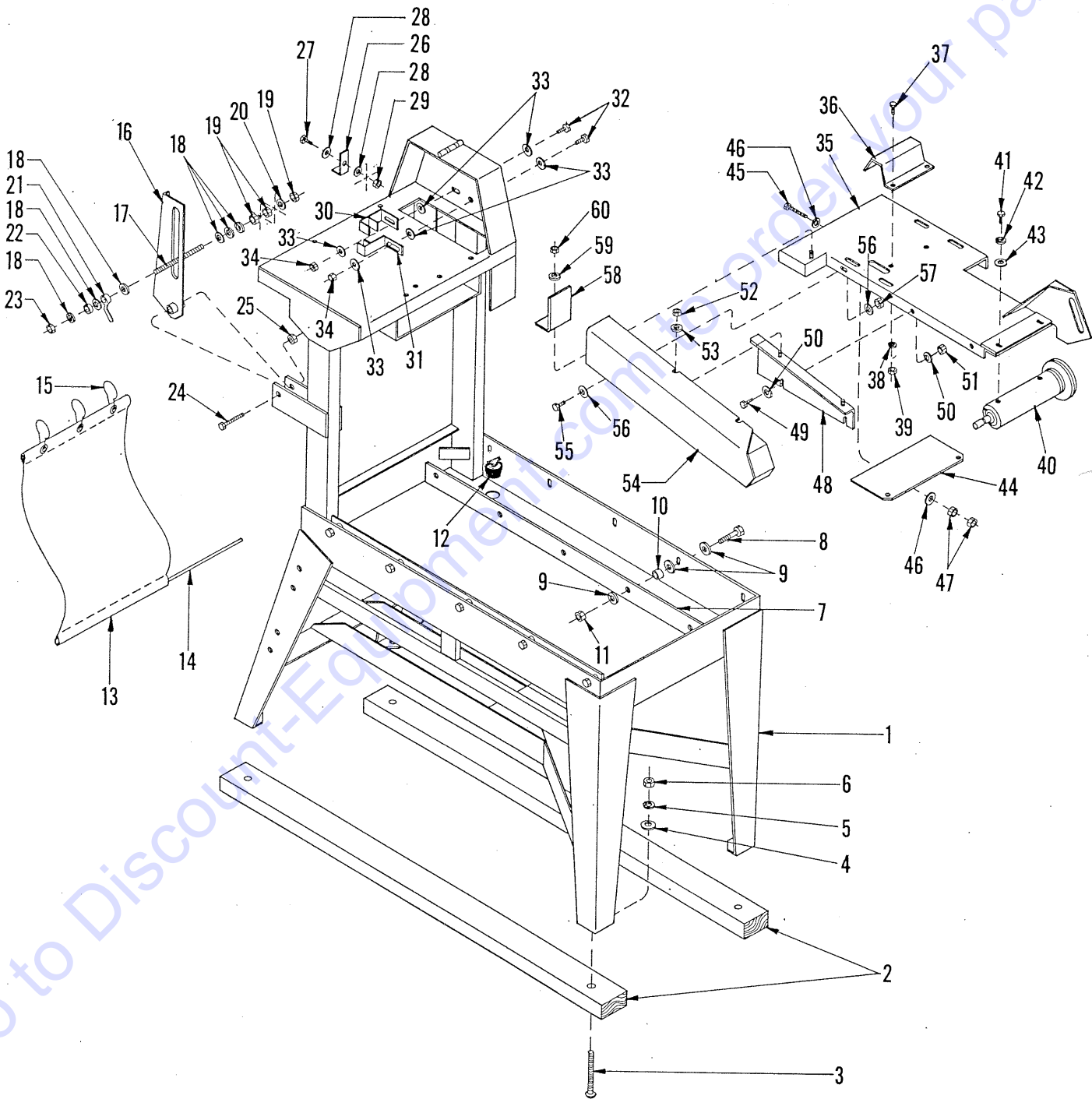
Florida: **561-964-4949** Outside Florida TOLL FREE: **877-690-3101**

Need parts?

Click on this link: <http://www.discount-equipment.com/category/5443-parts/> and choose one of the options to help get the right parts and equipment you are looking for. Please have the machine model and serial number available in order to help us get you the correct parts. If you don't find the part on the website or on one of the online manuals, please fill out the request form and one of our experienced staff members will get back to you with a quote for the right part that your machine needs.

We sell worldwide for the brands: Genie, Terex, JLG, MultiQuip, Mikasa, Essick, Whiteman, Mayco, Toro Stone, Diamond Products, Generac Magnum, Airman, Haulotte, Barreto, Power Blanket, Nifty Lift, Atlas Copco, Chicago Pneumatic, Allmand, Miller Curber, Skyjack, Lull, Skytrak, Tsurumi, Husquvarna Target, Stow, Wacker, Sakai, Mi-T-M, Sullair, Basic, Dynapac, MBW, Weber, Bartell, Bennar Newman, Haulotte, Ditch Runner, Menegotti, Morrison, Contec, Buddy, Crown, Edco, Wyco, Bomag, Laymor, EZ Trench, Bil-Jax, F.S. Curtis, Gehl Pavers, Heli, Honda, ICS/PowerGrit, IHI, Partner, Imer, Clipper, MMD, Koshin, Rice, CH&E, General Equipment, Amida, Coleman, NAC, Gradall, Square Shooter, Kent, Stanley, Tamco, Toku, Hatz, Kohler, Robin, Wisconsin, Northrock, Oztec, Toker TK, Rol-Air, APT, Wylie, Ingersoll Rand / Doosan, Innovatech, Con X, Ammann, Mecalac, Makinex, Smith Surface Prep, Small Line, Wanco, Yanmar

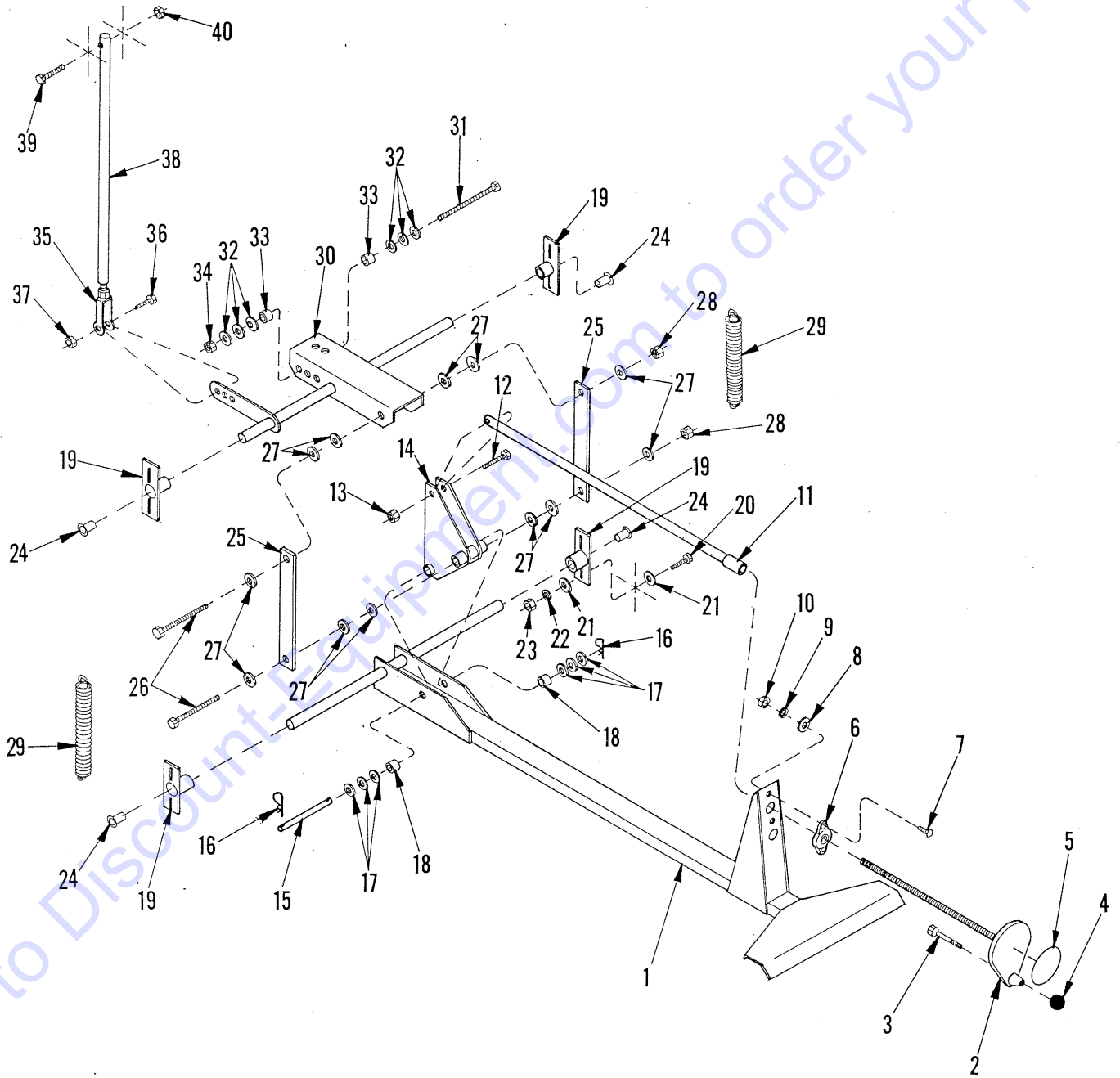
ILLUSTRATION 1 : MAIN ASSEMBLY



PARTS LISTING - ILLUSTRATION 1: MAIN ASSEMBLY

Item #	Part #	Description	Qty.
1	41001	Stand, Pan, and Deck Assembly	1
2	41002	Skid 2 x 4 x 54	2
3	10908	Bolt, Carriage 3/8-16 x 2-1/2	4
4	10025	Washer, Flat 3/8	4
5	10811	Washer, Lock 3/8	4
6	10404	Nut 3/8-16	4
7	41003	Rail, Guide	2
8	10816	Screw, Cap 3/8-24 x 1-1/2	10
9	10025	Washer, Flat 3/8	30
10	10011	Spacer, 5/8"OD x 3/8"ID x 3/8	10
11	10004	Nut, Lock 3/8-24	10
12	40378	Stopper 1-1/2"	1
13	40375-20	Curtain W/ Logo 15 x 28	1
14	40377	Rod, Curtain 1/2 Dia. x 13	1
15	40376	Hook, Curtain	3
16	41021	Plate, Pivot Lock	1
17	41108	Rod, Allthread 1/2-13 x 7"L	1
18	10312	Washer, Flat 1/2	6
19	10417	Nut 1/2-13	3
20	10045	Washer, Lock 1/2	1
21	40358	Nut, Tail 1/2-13	1
22	79035	Bushing, Rubber 5/8"ID x 1/4"Thk.	1
23	10407	Nut, Lock 1/2-13	1
24	10343	Screw, Cap 1/2-20 x 2-1/2	1
25	10205	Nut, Lock 1/2-20	1
26	40048	Latch, Belt Cover	1
27	10053	Screw, Cap 5/16-18 x 3/4	1
28	10213	Washer, Flat 5/16	2
29	10807	Nut, Lock 5/16-18	1
30	41042	Bracket, Belt Stop	1
31	41043	Bracket, Belt Stop	1
32	10021	Screw, Cap 3/8-24 x 1	2
33	10025	Washer, Flat 3/8	6
34	10004	Nut, Lock 3/8-24	2
35	41022	Deck, Arbor	1
36	41032	Guard, Drive Jack Shaft	1
37	10018	Screw, Cap 1/4-20 x 3/4	2
38	10038	Washer, Lock 1/4	2
39	10013	Nut 1/4-20	2
40	41113	Arbor Assembly Complete (See Illus. 5 for Breakdown)	1
41	10332	Screw, Cap 5/16-24 x 1	2
42	10801	Washer, Lock 5/16	2
43	10213	Washer, Flat 5/16	2
44	41023	Bracket, Tension	1
45	52015	Bolt, Tap 3/8-16 x 3-1/2	1
46	10025	Washer, Flat 3/8	2
47	10404	Nut 3/8-16	2
48	41030	Bracket, Belt Cover	1
49	10053	Screw, Cap 5/16-18 x 3/4	2
50	10213	Washer, Flat 5/16	4
51	10807	Nut, Lock 5/16-18	2
52	10015	Nut, Lock 1/4-20	2
53	10602	Washer, Flat 1/4	2
54	41029	Cover, Belt	1
55	10053	Screw, Cap 5/16-18 x 3/4	1
56	10213	Washer, Flat 5/16	2
57	10807	Nut, Lock 5/16-18	1
58	40354	Cover, End Cap, Belt	1
59	10213	Washer, Flat 5/16	1
60	10807	Nut, Lock 5/16-18	1

ILLUSTRATION 2 : FOOT PEDAL ASSEMBLY

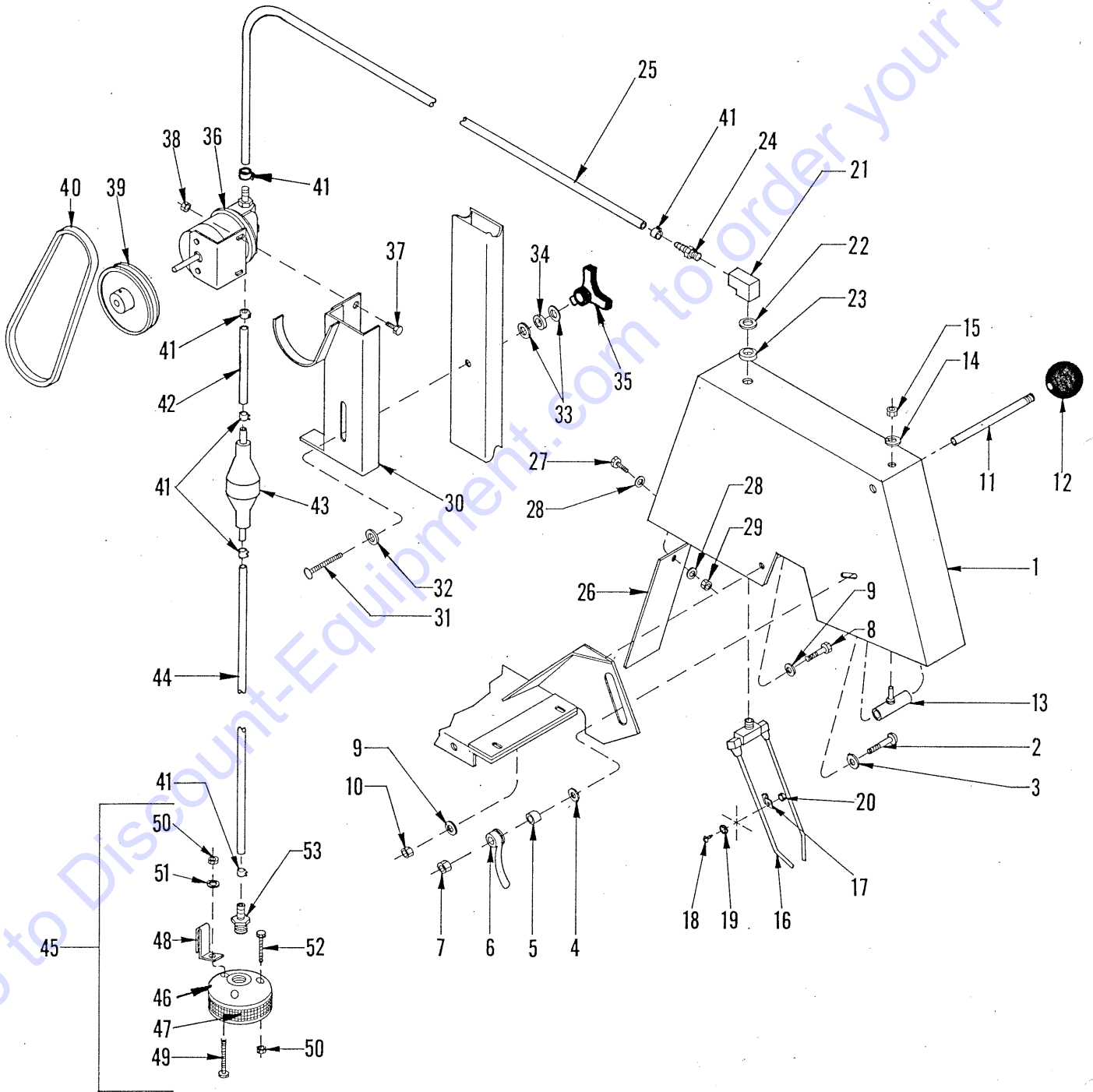


Go to DiscountEquipment.com to order your parts

PARTS LISTING - ILLUSTRATION 2: FOOT PEDAL ASSEMBLY

Item #	Part #	Description	Qty.
1	41121	Treadle (Foot Pedal)	1
2	41012	Handwheel, Small W/ 5/8-8 x 15"Rod	1
3	10346	Screw, Skt.Hd.Cap 1/2-13 x 4-1/2	1
	50550	Sleeve for 1/2 Capscrew, Tapered	1
4	10104	Knob, Ball 1-7/8" Dia. w/1/2-13 Thd.	1
5	80007	Decal, "Cut Control" Small	1
6	80009	Bearing, Ball 5/8" 2-Hole Flange	1
7	10872	Bolt, Carriage 1/4-20 x 3/4	2
8	10602	Washer, Flat 1/4	2
9	10038	Washer, Lock 1/4	2
10	10013	Nut 1/4-20	2
11	41013	Linkage, Control	1
12	10322	Screw, Cap 1/2-20 x 2	1
13	10205	Nut, Lock 1/2-20	1
14	41014	Linkage, Pivot	1
15	41044	Pin, Foot Pedal Spring, 1/2 x 5-1/4	1
16	61066	Pin, Hair Cotter 1/2	2
17	10312	Washer, Flat 1/2	6
18	41045	Spacer 3/4"OD x 1/2"ID x 5/8"L	2
19	41017	Support, Treadle Pivot	4
20	10021	Screw, Cap 3/8-24 x 1	8
21	10025	Washer, Flat 3/8	16
22	10811	Washer, Lock 3/8	8
23	10014	Nut 3/8-24	8
24	41123	Bearing, Sleeve 1"ID Nylon Flanged	4
25	41015	Linkage, Connecting	2
26	10409	Screw, Cap 1/2-20 x 4-1/2	2
27	10312	Washer, Flat 1/2	12
28	10205	Nut, Lock 1/2-20	2
29	41041	Spring, Ext. 1.75"OD x 8"L	2
30	41122	Treadle, Transfer Arm	1
31	10329	Screw, Cap 1/2-20 x 6	1
32	10312	Washer, Flat 1/2	6
33	41045	Spacer 3/4"OD x 1/2"ID x 5/8"L	2
34	10205	Nut, Lock 1/2-20	1
35	41019	Linkage, Clevis	1
36	10308	Screw, Cap 1/2-20 x 1-1/2	1
37	10205	Nut, Lock 1/2-20	1
38	41018	Linkage, Drag	1
39	10322	Screw, Cap 1/2-20 x 2	1
40	10205	Nut, Lock 1/2-20	1

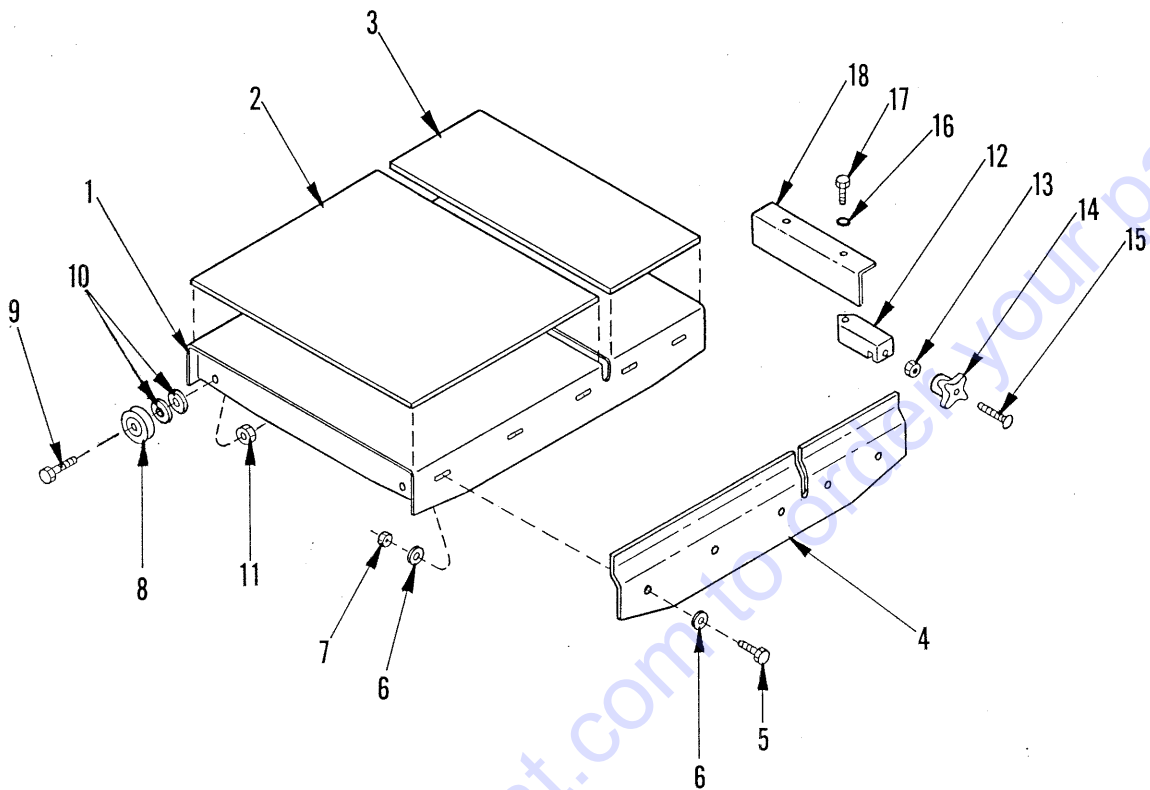
ILLUSTRATION 3 : WATER PUMP & BLADE GUARD ASSEMBLY



PARTS LISTING - ILLUSTRATION 3:
WATER PUMP AND BLADE GUARD ASSEMBLY

Item #	Part #	Description	Qty.
1		Guard, Blade	1
	41026	20" Blade	
	41114	14" Blade	
2	10364	Bolt, Carriage 3/8-16 x 2 Full Thd.	1
3	10040	Washer, Garret 17/32	1
4	10025	Washer, Flat 3/8	1
5	10011	Spacer 5/8"OD x 3/8"ID x 3/8"W,	1
6	40044	Nut, Tail 3/8-16	1
7	10810	Nut, Lock 3/8-16	1
8	10309	Screw, Cap 3/8-24 x 1-1/4	1
9	10025	Washer, Flat 3/8	2
10	10004	Nut, Lock 3/8-24	1
11	41027	Shaft, Handle	1
12	10104	Knob, Ball 1-7/8"Dia. w/ 1/2-13 Thd.	1
13	41028	Lock, Handle	1
14	10811	Washer, Lock 3/8	1
15	10404	Nut 3/8-16	1
16		Nozzle, Coolant	1
	41040	20" Blade Guard	
	81004	14" Blade Guard	
17	61243	Clip, Copper 1/4"	2
18	10830	Screw, Machine 10-32 x 1/2	2
19	10831	Washer, Int. Tooth #10	2
20	10832	Nut 10-32	2
21	10707	Elbow, Female 1/4NPT x 90°(Brass)	1
22	10040	Washer, Garret 17/32	1
23	79035	Bushing, Rubber 5/8"ID x 1/4"Thk.	1
24	50075	Barb, 3/8"Hose x 1/4MPT	1
25	41046	Hose 5/16"ID x 28"L	1
26	41115	Flap, Splash 2-1/2 x 8"L	1
27	10834	Screw, Cap 1/4-20 x 1/2	1
28	10602	Washer, Flat 1/4	2
29	10015	Nut, Lock 1/4-20	1
30	41034	Mount, Water Pump	1
31	10909	Bolt, Carriage 3/8-16 x 3	1
32	10040	Washer, Garret 17/32	1
33	10025	Washer, Flat 3/8	2
34	56018	Bushing, Rubber 3/8"ID x 1/4"Thk.	1
35	80011	Knob, Star 3/8-16	1
36	40393	Pump Assembly, Water (Parts Breakdown is Available)	1
37	10834	Screw, Cap 1/4-20 x 1/2	2
38	10015	Nut, Lock 1/4-20	2
39	40392	Sheave 4"OD x 1Gr.A x 5/16"Bore	1
40	10259	Belt AP-29	1
41	10762	Clamp, Hose Spring-Type 3/8"	4
42	40368	Hose 5/16"ID x 6"L	1
43	40049	Bulb, Primer 5/16"	1
44	41047	Hose 5/16"ID x 16"L	1
45	40301	Filter Assembly Complete (Includes Items 46 thru 52)	1
46	40302	Filter Housing Only	1
47	40303	Screen, Water Filter	1
48	40305	Hanger Clip, Water Filter	1
49	40306	Screw, Machine 10-24 x 1-3/4 (S.S.)	1
50	40308	Nut 10-24 (S.S.)	3
51	40307	Washer, Lock #10 (S.S.)	1
52	40315	Screw, Machine 10-24 x 1-1/2 (S.S.)	2
53	40304	Barb, 3/8"Hose x 1/2"MPT (Plastic)	1

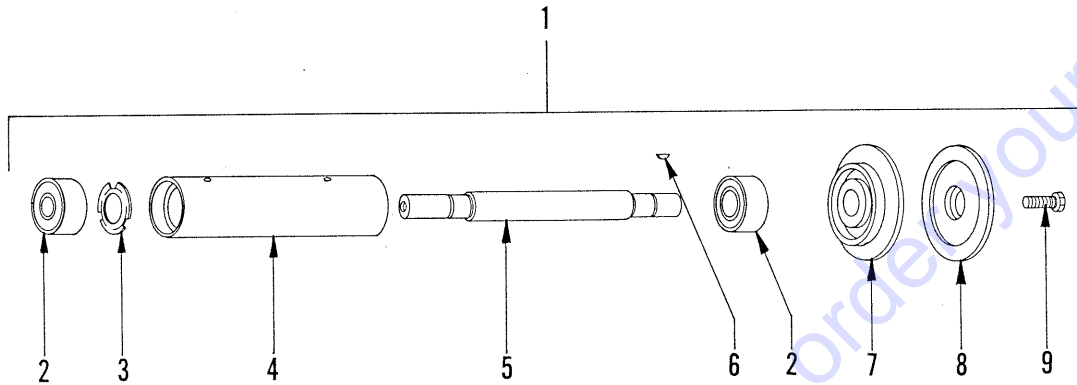
ILLUSTRATION 4 : ROLLING TABLE ASSEMBLY



Complete Table Assembly (All Items) - Part # 41101
 Cut Guide Complete (Items 12 thru 18) - Part # 41140

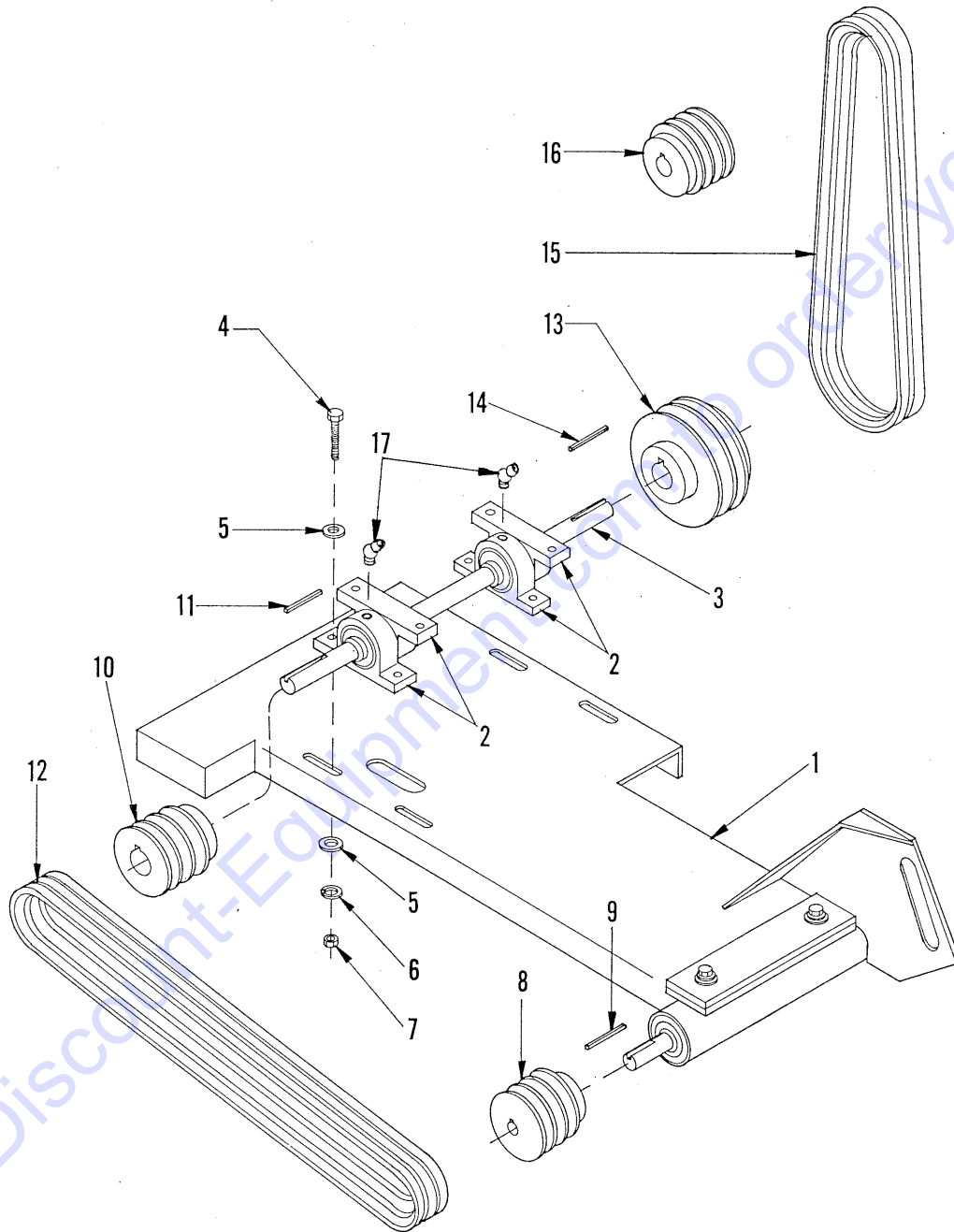
Item #	Part #	Description	Qty.
1	41102	Table, Rolling	1
2	41006	Pad 16 x 13-1/2	1
3	41007	Pad 16 x 7-1/4	1
4	41103	Front Panel, Rolling Table	1
5	10018	Screw, Cap 1/4-20 x 3/4	5
6	10602	Washer, Flat 1/4	10
7	10015	Nut, Lock 1/4-20	5
8	3621	Wheel, Track 1-3/4" Dia.	4
9	10309	Screw, Cap 3/8-24 x 1-1/4	4
10	10025	Washer, Flat 3/8	8
11	10004	Nut, Lock 3/8-24	4
12	42015	Block, Cut Guide	1
13	10404	Nut 3/8-16	1
14	80011	Knob, Star 3/8-16	1
15	10364	Bolt, Carr. 3/8-16 x 2 Full Thd.	1
16	10801	Washer, Lock 5/16	1
17	10053	Screw, Cap 5/16-18 x 3/4	1
18	41104	Bracket, Cut Guide	1

ILLUSTRATION 5 : ARBOR ASSEMBLY



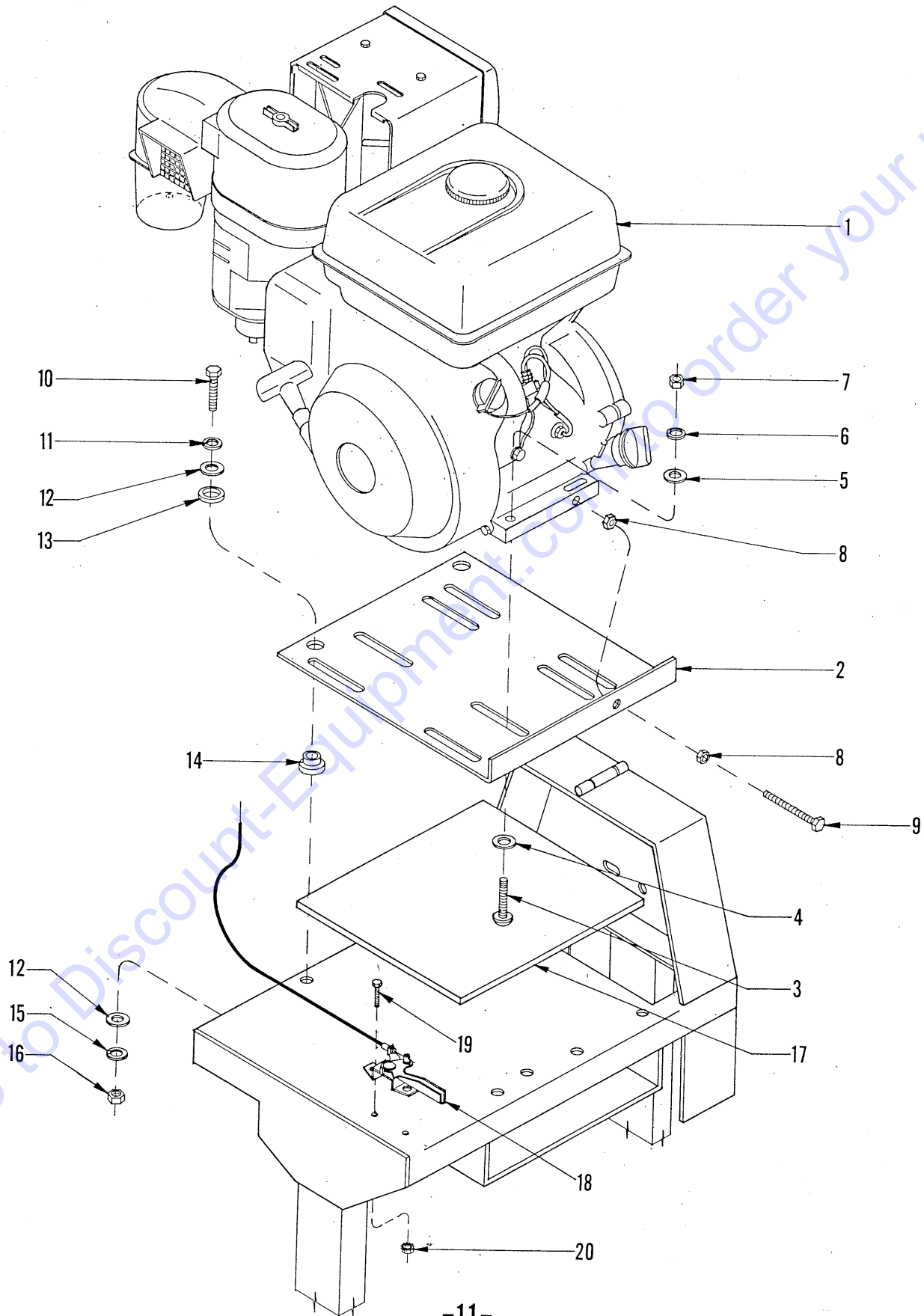
Item #	Part #	Description	Qty.
1	41113	Arbor Assembly (Includes Items #2 thru #9)	1
2	40018	Bearing, Ball Radial	2
3	40019	Washer, Thrust Spring	1
4	41024	Housing, Arbor	1
5	41025	Shaft, Arbor	1
6	40036	Key, Woodruff 1/8 x 3/8	1
7	40022	Backing Plate, Arbor	1
8	40023	Cap, Blade Retaining	1
9	10321	Screw, Cap 1/2-20 x 1-1/4	1

ILLUSTRATION 6 : BELT DRIVE ASSEMBLY



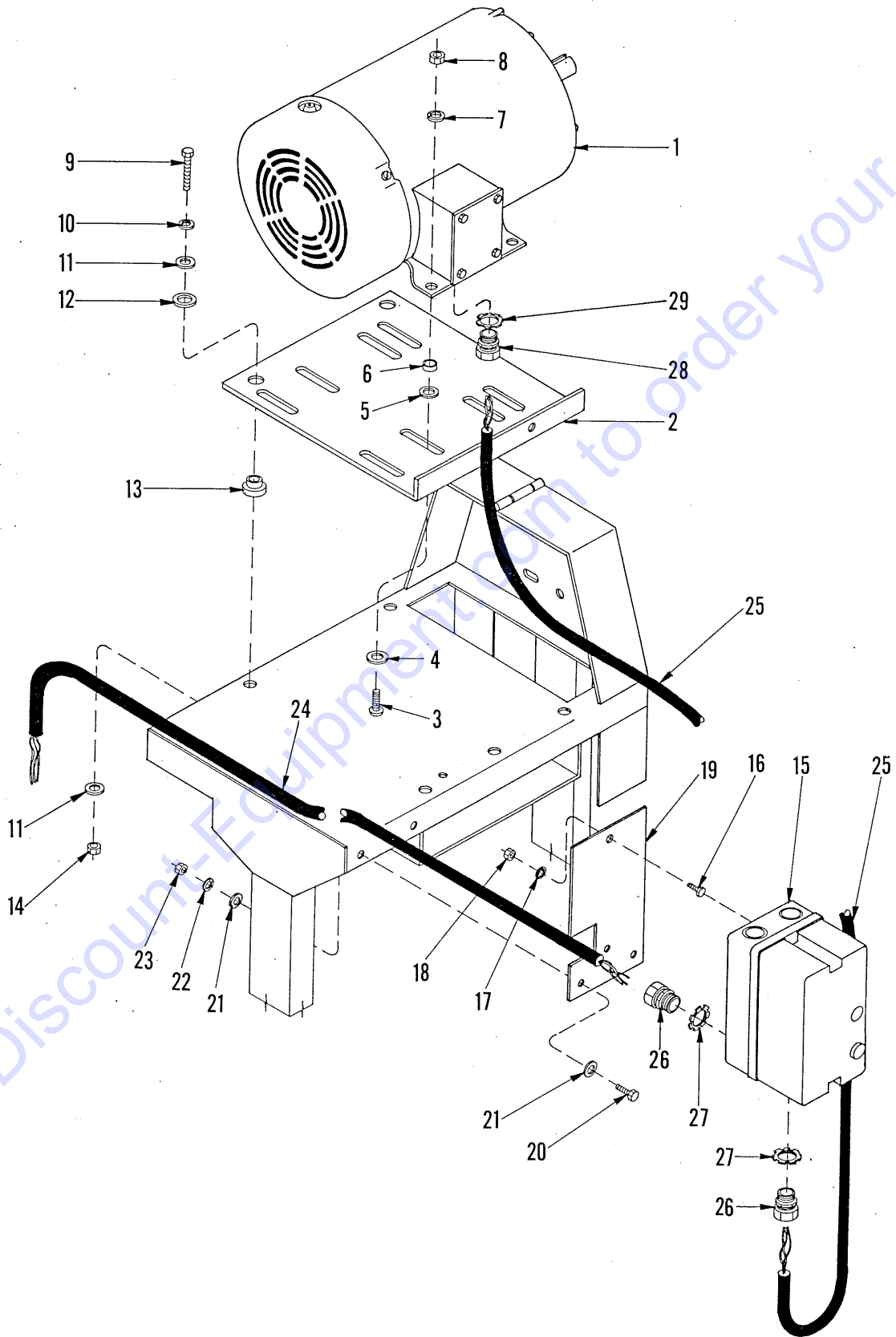
PARTS LISTING - ILLUSTRATION 6: BELT DRIVE ASSEMBLY			
Item #	Part #	Description	Qty.
1	41022	Deck, Arbor	1
2	50016	Bearing, 1" Pillow Block	4
3	41031	Shaft, Drive Jack	1
4	10029	Screw, Cap 3/8-24 x 1-3/4	8
5	10025	Washer, Flat 3/8	16
6	10811	Washer, Lock 3/8	8
7	10014	Nut 3/8-24	8
8	81011	Sheave 3"OD x 3 Gr.A x 3/4" Bore	1
9	10060	Key 3/16 Sq. x 1-1/4	1
10	80027	Sheave 3"OD x 3 Gr.A x 1" Bore	1
11	10071	Key 1/4 Sq. x 2-1/2	1
12	10240	Belt AP-44	3
13	10513	Sheave 4-1/2"OD x 2Gr.A x 1" Bore	1
14	10301	Key 1/4 Sq. x 1-1/2	1
15		Belt	2
	10239	AP-32 (Gasoline Models)	
	10249	AX-31 (Electric Model)	
16		Sheave	1
	80027	3"OD x 3Gr.A x 1"Bore (Gas)	
	10556	3"OD x 3Gr.A x 1-3/8"Bore (Elec.)	
17	10960	Fitting, Grease 1/4-28 x 45°	2

ILLUSTRATION 7 : ENGINE ASSEMBLY



PARTS LISTING - ILLUSTRATION 7: ENGINE ASSEMBLY			
Item #	Part #	Description	Qty.
1		Engine	1
	79045	Honda 11 HP GXV340	
	15027	Honda 9 HP GX270	
2		Mount, Engine/Motor	1
	41035	11 HP Honda GX340	
	41049	9 HP Honda GX270	
3	10917	Bolt, Carriage 3/8-16 x 2	4
4	10040	Washer, Garrett 17/32	4
5	10025	Washer, Flat 3/8	4
6	10811	Washer, Lock 3/8	4
7	10404	Nut 3/8-16	4
8	52015	Bolt, Tap 3/8-16 x 3-1/2 Full Thd.	1
9	10404	Nut 3/8-16	2
10	10380	Screw, Cap 5/16-18 x 2	4
11	10213	Washer, Flat 5/16	4
12	10312	Washer, Flat 1/2	8
13	79035	Bushing, Rubber 5/8 ID x 1/4 Thk.	4
14	10225	Bushing, Rubber Engine Mount	4
15	10801	Washer, Lock 5/16	4
16	10054	Nut 5/16-18	4
17	41048	Pad, Rubber 12-1/4 x 10-3/4 x 1/4	1
18	40313	Cable, Throttle 16"	1
19	10018	Screw, Cap 1/4-20 x 3/4	2
20	10861	Nut, Keps 1/4-20	2

ILLUSTRATION 8 : MOTOR ASSEMBLY



PARTS LISTING - ILLUSTRATION 8: MOTOR ASSEMBLY			
Item #	Part #	Description	Qty.
1	16004	Motor, Baldor 10HP-3PH 60HZ 3450RPM	1
2	41035	Mount, Engine/Motor	1
3	10804	Bolt, Carriage 3/8-16 x 1-1/2	4
4	10040	Washer, Garrett 17/32	4
5	10025	Washer, Flat 3/8	4
6	10113	Spacer, 9/16"OD x 3/8"ID x 7/32"W	4
7	10811	Washer, Lock 3/8	4
8	10404	Nut 3/8-16	4
9	10380	Screw, Cap 5/16-18 x 2	4
10	10213	Washer, Flat 5/16	8
11	10312	Washer, Flat 1/2	4
12	79035	Bushing, Rubber 5/8"ID x 1/4 Thk.	4
13	10225	Bushing, Rubber Engine Mount	4
14	10807	Nut, Lock 5/16-18	4
15	85045	Starter, Motor CA3-30 w/ Large Enclosure	1
16	10362	Screw, Machine 8-32 x 3/4	2
17	10461	Washer, Int. Tooth #8	2
18	10462	Nut 8-32	2
19	41050	Mount, Starter Motor	1
20	10053	Screw, Cap 5/16-18 x 3/4	2
21	10213	Washer, Flat 5/16	4
22	10801	Washer, Lock 5/16	2
23	10054	Nut 5/16-18	2
24	41051	Harness, 10-4 Wire 39"	1
25	41052	Harness, 10-4 Wire 23"	1
26	41053	Connector, Strain Relief 1/2 NPT x .625"-.750" Range	2
27	10790	Nut, Conduit Lock 1/2 NP	2
28	10605	Connector, Strain Relief 3/4 NPT x .650"-.750" Range	1
29	10740	Nut, Conduit Lock 3/4 NP	1

PARTS FINDER

**Search Website
by Part Number**



**Search Manual
Library For Parts
Manual & Lookup Part
Numbers – Purchase
or Request Quote**

Search Manuals

Enter your information to help us find the right parts manual for your machine.

* Brand:

* Model:

* Serial:

* Part Number:

SEARCH

**Can't Find Part or
Manual? Request Help
by Manufacturer,
Model & Description**

Parts Order Form

Please fill in the following information to help us find the right part for your machine.

MANUFACTURER:

MODEL:

DESCRIPTION:

SEARCH

Discount-Equipment.com is your online resource for quality parts & equipment.

Florida: **561-964-4949** Outside Florida TOLL FREE: **877-690-3101**

Need parts?

Click on this link: <http://www.discount-equipment.com/category/5443-parts/> and choose one of the options to help get the right parts and equipment you are looking for. Please have the machine model and serial number available in order to help us get you the correct parts. If you don't find the part on the website or on one of the online manuals, please fill out the request form and one of our experienced staff members will get back to you with a quote for the right part that your machine needs.

We sell worldwide for the brands: Genie, Terex, JLG, MultiQuip, Mikasa, Essick, Whiteman, Mayco, Toro Stone, Diamond Products, Generac Magnum, Airman, Haulotte, Barreto, Power Blanket, Nifty Lift, Atlas Copco, Chicago Pneumatic, Allmand, Miller Curber, Skyjack, Lull, Skytrak, Tsurumi, Husquvarna Target, Stow, Wacker, Sakai, Mi-T-M, Sullair, Basic, Dynapac, MBW, Weber, Bartell, Bennar Newman, Haulotte, Ditch Runner, Menegotti, Morrison, Contec, Buddy, Crown, Edco, Wyco, Bomag, Laymor, EZ Trench, Bil-Jax, F.S. Curtis, Gehl Pavers, Heli, Honda, ICS/PowerGrit, IHI, Partner, Imer, Clipper, MMD, Koshin, Rice, CH&E, General Equipment, Amida, Coleman, NAC, Gradall, Square Shooter, Kent, Stanley, Tamco, Toku, Hatz, Kohler, Robin, Wisconsin, Northrock, Oztec, Toker TK, Rol-Air, APT, Wylie, Ingersoll Rand / Doosan, Innovatech, Con X, Ammann, Mecalac, Makinex, Smith Surface Prep, Small Line, Wanco, Yanmar