



REVISED STARTING
SERIAL # 121010018

PARTS LIST MANUAL

MODEL GMS20



20" GASOLINE POWERED MASONRY SAWS

SKU #	MODEL #	POWER OPTION
22500	GMS20-9H	HONDA GASOLINE ENGINE MODEL GX270
21100	GMS20-11H	HONDA GASOLINE ENGINE MODEL GX340
27700	GMS20-13H	HONDA GASOLINE ENGINE MODEL GX390
27700ES	GMS20-13H/12V	HONDA GASOLINE ENGINE MODEL GX390 WITH 12V STARTER



A Division of Equipment Development Company, Inc.

PARTS FINDER

**Search Website
by Part Number**



**Search Manual
Library For Parts
Manual & Lookup Part
Numbers – Purchase
or Request Quote**

Search Manuals

Enter your information to help us find the right parts manual for your machine.

* Brand:

* Model:

* Serial:

* Part Number:

SEARCH

**Can't Find Part or
Manual? Request Help
by Manufacturer,
Model & Description**

Parts Order Form

Please fill in the following information to help us find the right part for your machine.

Manufacturer:	<input type="text"/>
Model:	<input type="text"/>
Description:	<input type="text"/>
Part Number:	<input type="text"/>
Quantity:	<input type="text"/>
Notes:	<input type="text"/>

Submit

Discount-Equipment.com is your online resource for quality parts & equipment.

Florida: **561-964-4949** Outside Florida TOLL FREE: **877-690-3101**

Need parts?

Click on this link: <http://www.discount-equipment.com/category/5443-parts/> and choose one of the options to help get the right parts and equipment you are looking for. Please have the machine model and serial number available in order to help us get you the correct parts. If you don't find the part on the website or on one of the online manuals, please fill out the request form and one of our experienced staff members will get back to you with a quote for the right part that your machine needs.

We sell worldwide for the brands: Genie, Terex, JLG, MultiQuip, Mikasa, Essick, Whiteman, Mayco, Toro Stone, Diamond Products, Generac Magnum, Airman, Haulotte, Barreto, Power Blanket, Nifty Lift, Atlas Copco, Chicago Pneumatic, Allmand, Miller Curber, Skyjack, Lull, Skytrak, Tsurumi, Husquvarna Target, Stow, Wacker, Sakai, Mi-T-M, Sullair, Basic, Dynapac, MBW, Weber, Bartell, Bennar Newman, Haulotte, Ditch Runner, Menegotti, Morrison, Contec, Buddy, Crown, Edco, Wyco, Bomag, Laymor, EZ Trench, Bil-Jax, F.S. Curtis, Gehl Pavers, Heli, Honda, ICS/PowerGrit, IHI, Partner, Imer, Clipper, MMD, Koshin, Rice, CH&E, General Equipment, Amida, Coleman, NAC, Gradall, Square Shooter, Kent, Stanley, Tamco, Toku, Hatz, Kohler, Robin, Wisconsin, Northrock, Oztec, Toker TK, Rol-Air, APT, Wylie, Ingersoll Rand / Doosan, Innovatech, Con X, Ammann, Mecalac, Makinex, Smith Surface Prep, Small Line, Wanco, Yanmar

READ AND UNDERSTAND THE OPERATORS INSTRUCTION MANUAL THOROUGHLY BEFORE ATTEMPTING TO OPERATE THIS EQUIPMENT.



Death or serious injury could occur if this machine is used improperly.



SAFETY MESSAGES

- Safety Instructions are preceded by a graphic alert symbol of DANGER, WARNING, or CAUTION.



Indicates an imminent hazard which, if not avoided, will result in death or serious injury.



Indicates an imminent hazard which, if not avoided, can result in death or serious injury.



Indicates hazards which, if not avoided, could result in serious injury and or damage to the equipment.

GASOLINE/PROPANE POWERED EQUIPMENT



• Engine exhaust from this product contains chemicals known to the State of California to cause cancer, birth defects or other reproductive harm.



Gasoline is extremely flammable and poisonous. It should only be dispensed in well ventilated areas, and with a cool engine.

- Small gasoline engines produce high concentrations of carbon monoxide (CO) example: a 5 HP 4 cycle engine operation in an enclosed 100,000 cu. ft. area with only one change of air per hour is capable of providing deadly concentrations of CO in less than fifteen minutes. Five changes of air in the same area will produce noxious fumes in less than 30 minutes. Gasoline or propane powered equipment should not be used in enclosed or partially enclosed areas. Symptoms of CO poisoning include, headache, nausea, weakness, dizziness, visual problems and loss of consciousness. If symptoms occur - get into fresh air and seek medical attention immediately.

ELECTRICAL POWERED EQUIPMENT



Extreme care must be taken when operating electric models with water present: Ensure power cord is properly grounded, is attached to a Ground-Fault-Interrupter (GFI) outlet, and is undamaged.

- Check all electrical cables - be sure connections are tight and cable is continuous and in good condition. Be sure cable is correctly rated for both the operating current and voltage of this equipment.
- Improper connection of the equipment-grounding conductor can result in a risk of electric shock. Check with qualified electrician or service person if there is any doubt as to whether the outlet is properly grounded. Adhere to all local codes and ordinances.
- **NOTE:** In the event of a malfunction or breakdown, grounding provides a path of least resistance for the electric current to dissipate. The motor is equipped with a grounded plug and must be connected to an outlet that is properly installed and properly grounded. DO NOT modify the plug provided on the motor. If the plug does not fit the outlet have a qualified electrician install the proper receptacle.
- Switch motor OFF **before** disconnecting power.

- Do not disconnect power by pulling cord. To disconnect, grasp the plug, not the cord.
- Unplug power cord at the machine when not in use and before servicing.

GENERAL INSTRUCTIONS

- Equipment should only be operated by trained personnel in good physical condition and mental health (not fatigued). The operator and maintenance personnel must be physically able to handle the bulk weight and power of this equipment.
- This is a one person tool. Maintain a **safe operating distance** to other personnel. It is the **operators' responsibility** to keep other people (workers, pedestrians, bystanders, etc.) away during operation. Block off the work area in all directions with roping, safety netting, etc. for a **safe distance**. Failure to do so may result in others being injured by flying debris or exposing them to harmful dust and noise.
- This equipment is intended for commercial use only.
- For the operator's safety and the safety of others, always keep all guards in place during operation.
- Never let equipment run unattended.



- Personal Protection Equipment and proper safety attire must be worn when operating this machinery. The operator must wear approved safety equipment appropriate for the job such as hard hat and safety shoes when conditions require. Hearing protection **MUST** be used (operational noise levels of this equipment may exceed 90db). Eye protection **MUST** be worn at all times.



Keep body parts and loose clothing away from moving parts. Failure to do so could result in dismemberment or death.

- Do not modify the machine.
 - Stop motor/engine when adjusting or servicing this equipment.
- Maintain a safe operating distance from flammable materials. Sparks from the cutting-action of this machine can ignite flammable materials or vapors.

DUST WARNING



Some dust created by power sanding, sawing, grinding, drilling, and other construction activities contains chemicals known to cause cancer, birth defects, or other reproductive harm. Some examples of these chemicals are:

- Lead from lead-based paints, and
 - Crystalline silica from bricks and concrete and other masonry products.
- Your risk of exposure to these chemicals varies depending on how often you do this type of work. To reduce your risk: work in a well ventilated area, use a dust control system, such as an industrial-style vacuum, and wear approved personal safety equipment, such as a dust/particle respirator designed to filter out microscopic particles.

PARTS LIST MANUAL

MODEL GMS20

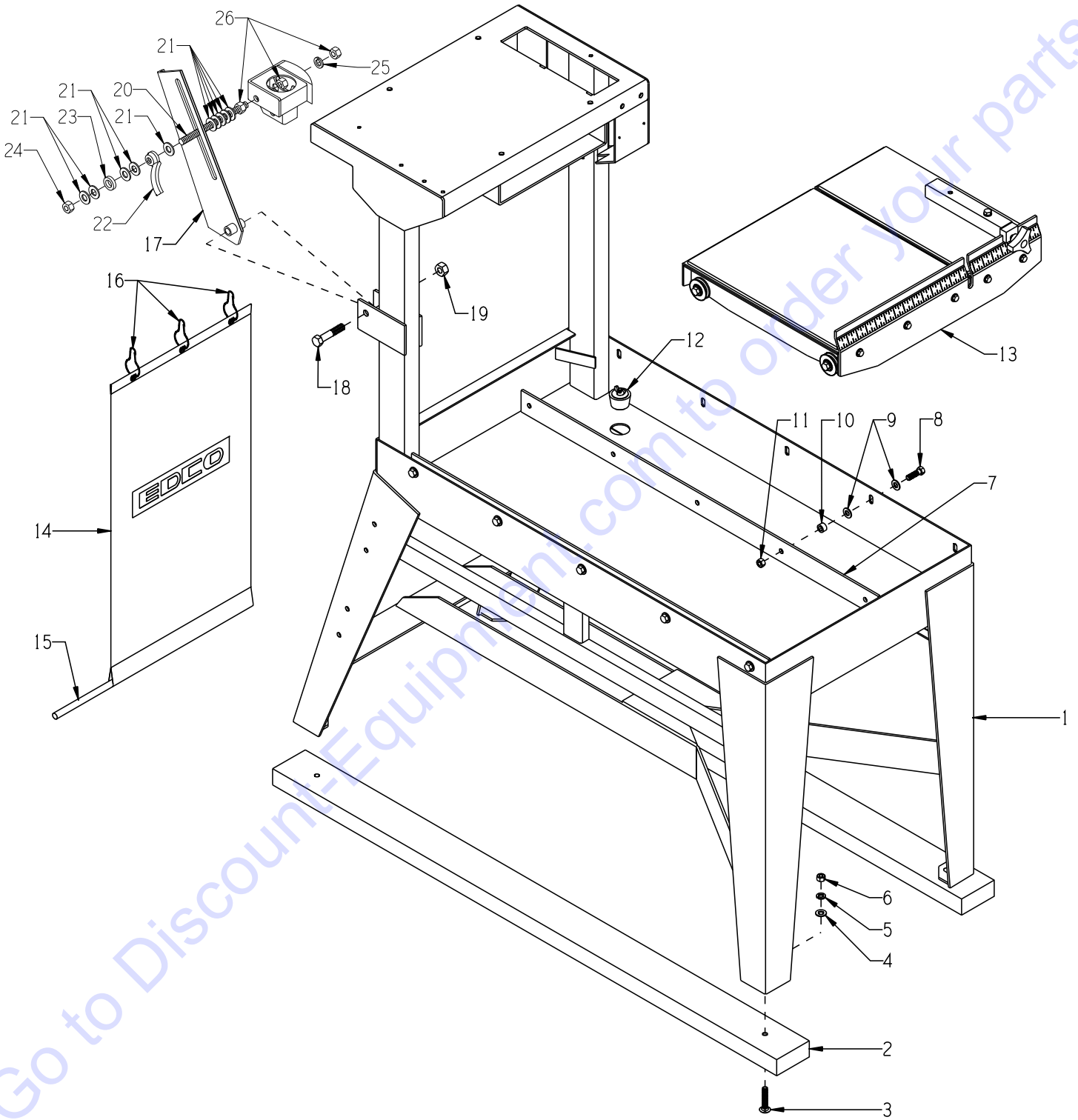
TABLE OF CONTENTS

<u>Section</u>	<u>Page Number</u>
Safety Messages and General Instructions	2
How To Order Replacement Parts	3
Illustration 1: Main Grouping	4, 5
Illustration 2: Foot Pedal & Linkage Grouping	6, 7
Illustration 3: Arbor Deck & Belt Drive Grouping	8, 9
Illustration 4: Arbor Assembly	10
Illustration 5: Rolling Table Assembly	11
Illustration 6: Blade Guard & Water Pump Grouping	12, 13
Illustration 7: Engine Grouping	14, 15
Illustration 8: Optional Clutch Kit	16
Illustration 9: Battery Grouping	17
Illustration 10: Water Pump Assembly	18
Page Left Blank Intentionally	19
Decal Sheet 1	20
Decal Sheet 2	21
Page Left Blank Intentionally	22
Notes	23
Limited Equipment Warranty of Sale - Terms & Conditions	24 (Back Page)



A Division of Equipment Development Company, Inc.

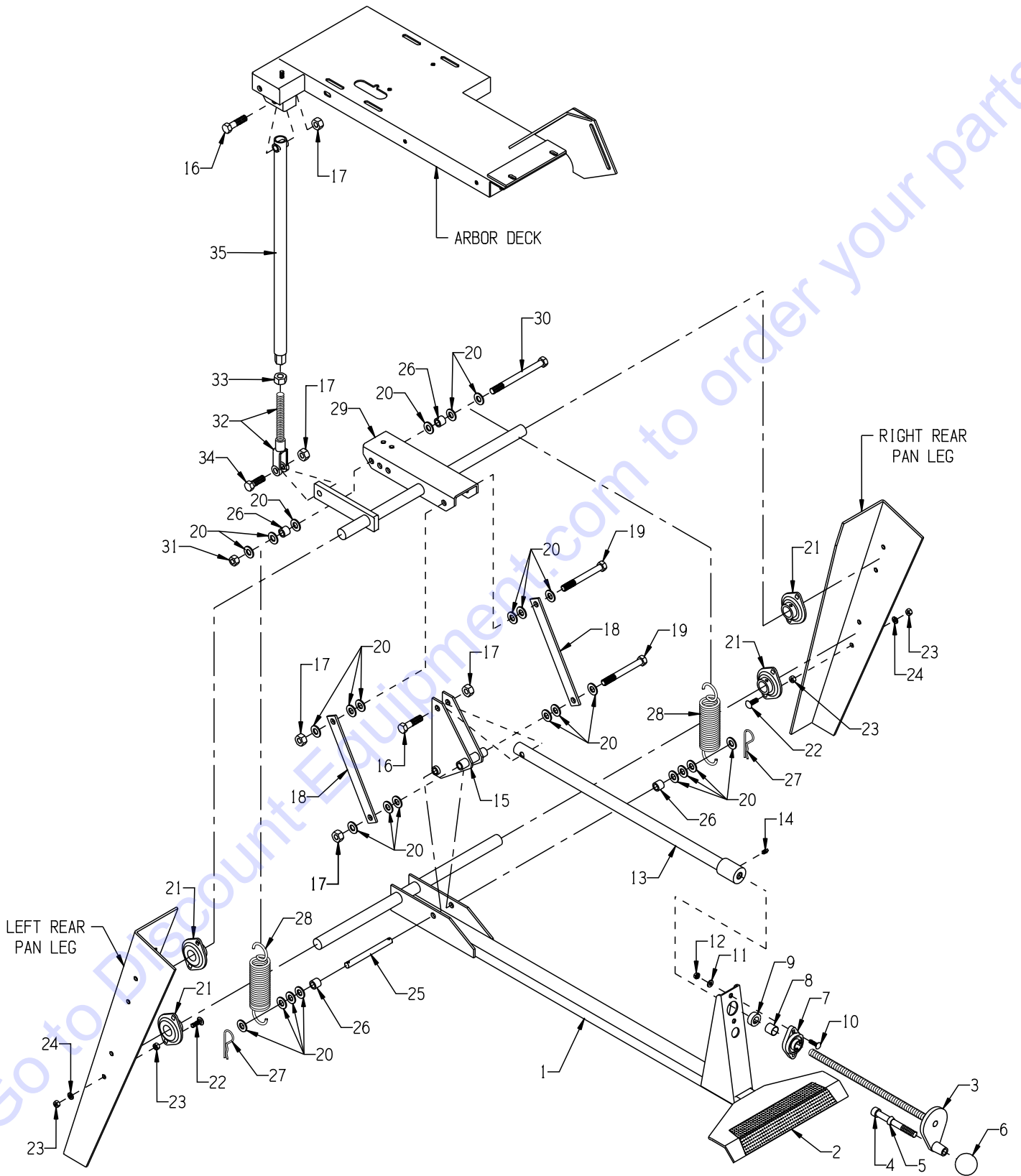
ILLUSTRATION 1: MAIN GROUPING



PARTS LISTING - ILLUSTRATION 1: MAIN GROUPING			
ITEM #	PART #	DESCRIPTION	QTY.
1	41001	STAND, PAN, & DECK WELDMENT, GMS-20	1
2	41002	SKID BOARD 2 X 4 X 54"L, GMS/MS-20	2
3	10364	BOLT, CARRIAGE 3/8-16 X 2 GRADE 5	4
4	10025	WASHER, FLAT 3/8 SAE ZINC	4
5	10811	WASHER, LOCK 3/8 ZINC	4
6	10404	NUT, HEX 3/8-16 ZINC	4
7	41003	RAIL, GUIDE, GMS/MS-20	2
8	10309	SCREW, CAP 3/8-24 X 1-1/4 ZINC	10
9	10025	WASHER, FLAT 3/8 SAE ZINC	20
10	10011	SPACER, STEEL 5/8OD X 3/8ID X 3/8T	10
11	10004	NUT, HEX LOCK 3/8-24 ZINC	10
12	40378	STOPPER ASSEMBLY 1-1/2"	1
13	41101	TABLE COMPLETE, ROLLING, MS/GMS-20 (REFER TO ILLUSTRATION 5 FOR BREAKDOWN)	1
14	40375	CURTAIN 15" X 28" W/ LOGO	1
15	40377	CURTAIN ROD 1/2"DIA. X 13"L	1
16	40376	HOOK, CURTAIN	3
17	41021	PLATE, PIVOT LOCK, GMS/MS-20	1
18	10343	SCREW, CAP 1/2-20 X 2-1/2	1
19	10205	NUT, HEX LOCK 1/2-20 ZINC	1
20	41108	ROD, ALLTHREAD 1/2-13 X 7"L	1
21	10312	WASHER, FLAT 1/2 SAE ZINC (QTY. & SPACING MAY VARY)	10
22	40358	NUT, TAIL HANDLE 1/2-13	1
23	79035	BUSHING, RUBBER 1-1/16 X 5/8 X 1/4	1
24	10155	NUT, HEX NYLON LOCK 1/2-13 ZINC	1
25	10045	WASHER, LOCK 1/2 ZINC	1
26	10417	NUT, HEX 1/2-13 ZINC	1



ILLUSTRATION 2: FOOT PEDAL & LINKAGE GROUPING

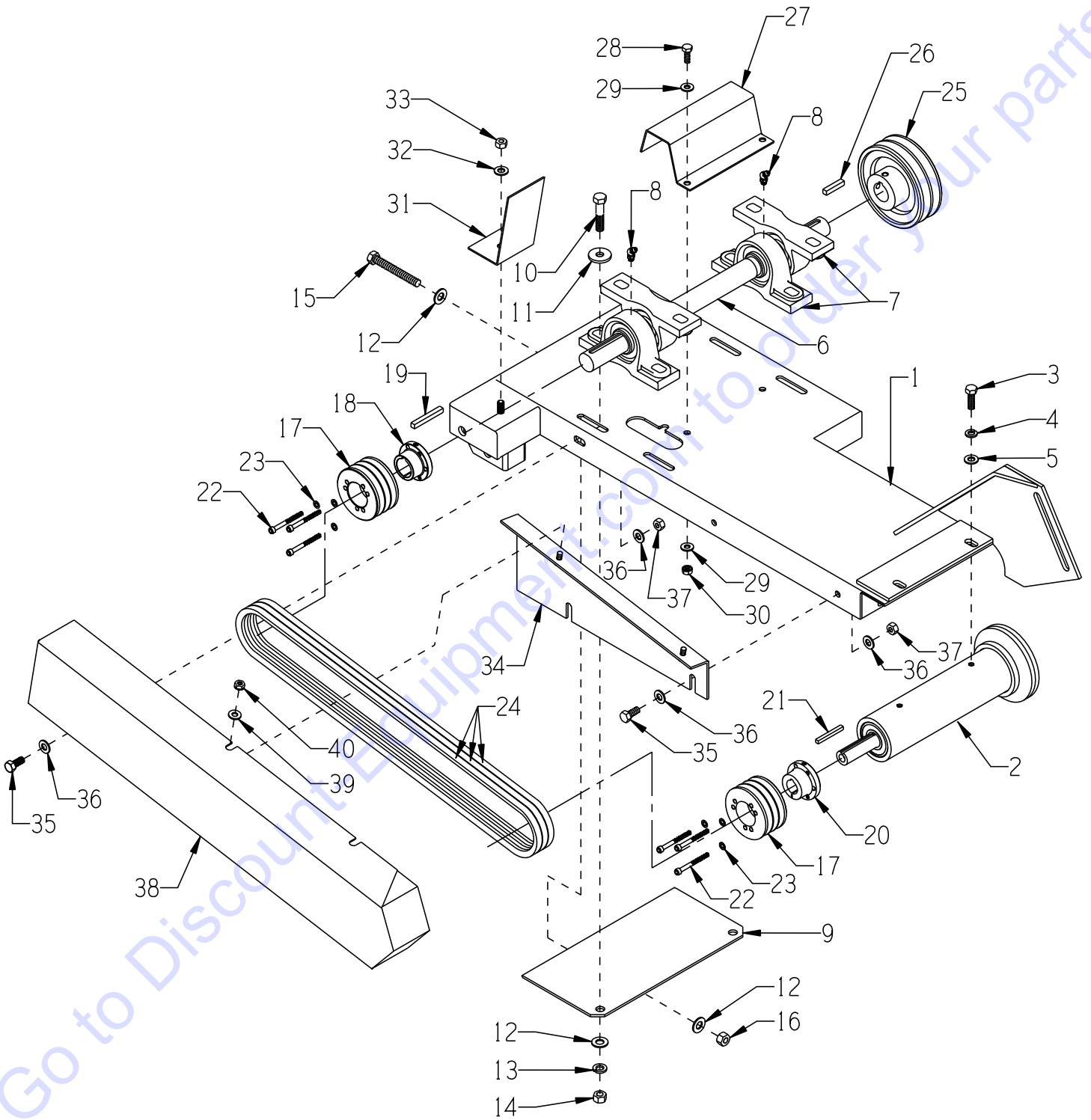


PARTS LISTING - ILLUSTRATION 2: FOOT PEDAL & LINKAGE GROUPING			
ITEM #	PART #	DESCRIPTION	QTY.
1	41121	TREADLE (FOOT PEDAL) MS/GMS-20	1
2	41132	TREAD, ABRASIVE, FOOT PEDAL	1
3	41012	HANDWHEEL, SMALL W/ 5/8-8 X 15" ROD	1
4	10346	SCREW, SKT. HD. CAP 1/2-13 X 4-1/2	1
5	50550	SLEEVE, BRASS 1/2" TAPERED	1
6	10104	KNOB, BALL 1-7/8 W/ 1/2-13THD, BLK.	1
7	80009	BEARING, BALL 5/8" 2-HOLE (NO G.F.)	1
8	55010	SPACER, HANDWHEEL 5/8" ID X 3/4" L	1
9	10096	COLLAR, LOCKING 5/8" ID	1
10	10412	BOLT, CARRIAGE 1/4-20 X 1 FULL THD.	2
11	10602	WASHER, FLAT 1/4 SAE ZINC	2
12	10861	NUT, KEPS LOCK 1/4-20 ZINC	2
13	41013	LINKAGE, CUT CONTROL, GMS/MS-20	1
14	10808	FITTING, GREASE 1/4-28 STRAIGHT	1
15	41014	LINKAGE, PIVOT, MS/GMS-20	1
16	10322	SCREW, CAP 1/2-20 X 2	2
17	10205	NUT, HEX LOCK 1/2-20 ZINC	5
18	41015	LINKAGE, CONNECTING, MS/GMS-20	2
19	10409	SCREW, CAP 1/2-20 X 4-1/2	2
20	10312	WASHER, FLAT 1/2 SAE ZINC	26
21	41060	BEARING, BALL 1" 2-HOLE SHEET METAL	4
22	10819	BOLT, CARRIAGE 5/16-18 X 1 FULL THD	8
23	10054	NUT, HEX 5/16-18 ZINC	16
24	10801	WASHER, LOCK 5/16 ZINC	8
25	41044	PIN, FOOT PEDAL SPRING, 1/2 X 5-1/4	1
26	41045	SPACER 3/4" OD X 1/2" ID X 5/8" L	4
27	61066	PIN, HAIR COTTER .080" X 1-9/16" OAL	2
28	41041	SPRING, EXT. 1.75" OD X 8" L	2
29	41122	TREADLE, TRANSFER ARM, MS/GMS-20	1
30	10329	SCREW, CAP 1/2-20 X 6	1
31	10154	NUT, HEX NYLON LOCK 1/2-20 ZINC	1
32	41019	LINKAGE, CLEVIS, MS/GMS-20	1
33	10046	NUT, HEX 5/8-11 ZINC	1
34	10308	SCREW, CAP 1/2-20 X 1-1/2	1
35	41018	LINKAGE, DRAG, GMS/MS-20	1



A Division of Equipment Development Company, Inc.

ILLUSTRATION 3: ARBOR DECK & BELT DRIVE GROUPING



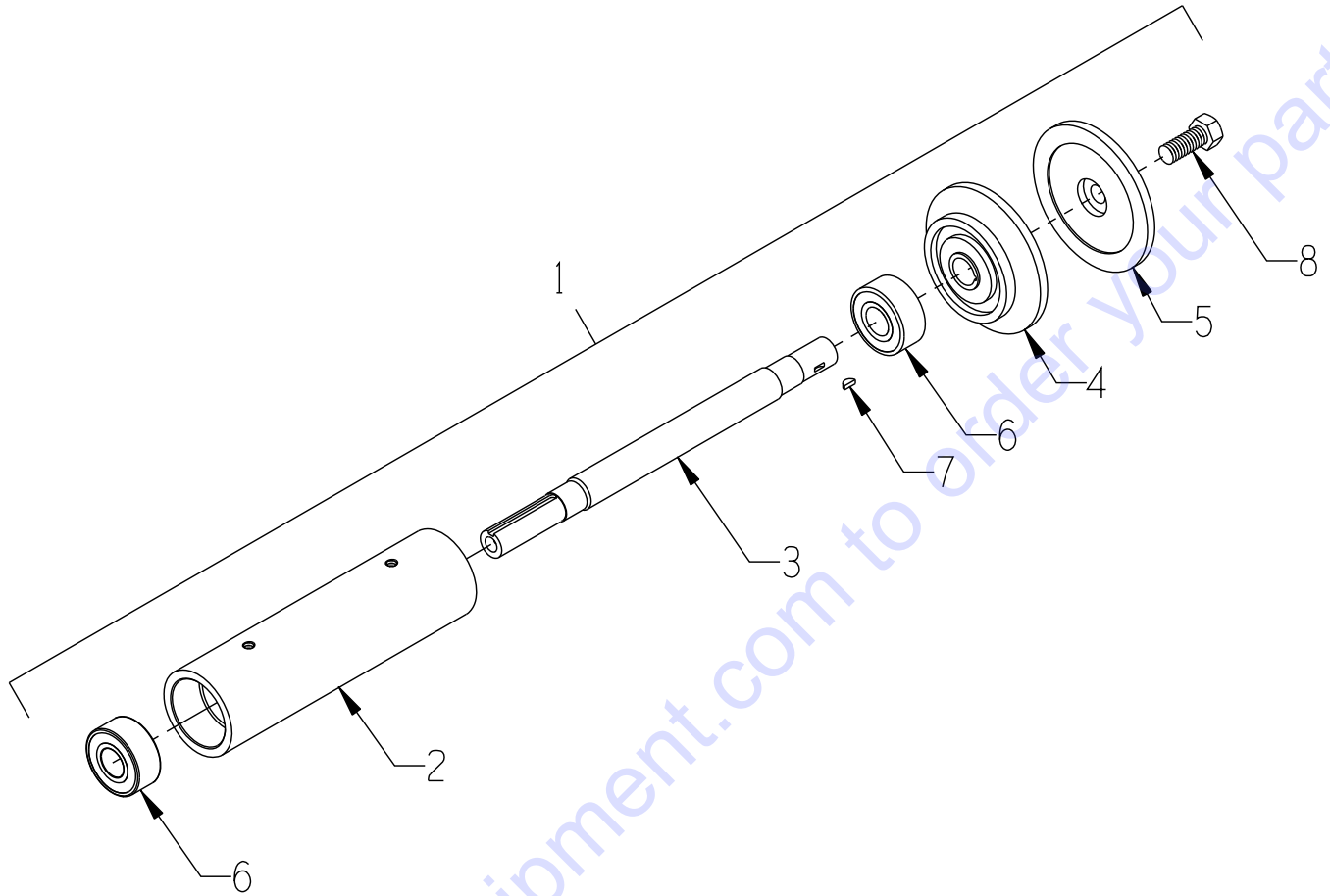
PARTS LISTING - ILLUSTRATION 3: ARBOR DECK & BELT DRIVE GROUPING

ITEM #	PART #	DESCRIPTION	QTY.
1	41022	DECK, ARBOR, GMS-20	1
2	41113	ARBOR ASSY. COMPLETE (REFER TO ILLUS. 4 FOR BREAKDOWN)	1
3	10332	SCREW, CAP 5/16-24 X 1	4
4	10801	WASHER, LOCK 5/16 ZINC	4
5	10213	WASHER, FLAT 5/16 SAE ZINC	4
6	41031	SHAFT, JACK 1"DIA. X 16-1/2"L	1
7	50016	BEARING, BALL 1" PILLOW BLOCK	4
8	10960	FITTING, GREASE 1/4-28 X 45°	4
9	41023	BRACKET, TENSION, GMS-20	1
10	10029	SCREW, CAP 3/8-24 X 1-3/4	4
	10816	SCREW, CAP 3/8-24 X 1-1/2	4
11	11695	WASHER, 1.1210 X .3750 X .1280	8
12	10025	WASHER, FLAT 3/8 SAE ZINC	6
13	10811	WASHER, LOCK 3/8 ZINC	8
14	10014	NUT, HEX 3/8-24 ZINC	8
15	28025	BOLT, TAP 3/8-16 X 3 (FULL THREAD)	1
16	10156	NUT, HEX NYLON LOCK 3/8-16 ZINC	1
17	51312	SHEAVE 2.8"OD X 3GR.3V X JA	2
18	10557	BUSHING, SHEAVE JA X 1"BORE	1
19	10115	KEY 1/4SQ X 2	1
20	40644	BUSHING, SHEAVE JA X 3/4"BORE	1
21	10170	KEY 3/16SQ X 1-3/4	1
22	11584	SCREW, SKT. HD. CAP 10-24 X 2	6
23	10831	WASHER, LOCK, INT. TOOTH #10	6
24	10228	BELT 3VX-450, GATES SUPER HC (3/8" x 45")	3
25	10513	SHEAVE 4.5"OD X 2GR.A X 1"BORE	1
26	10305	KEY 1/4SQ X 1-1/4	1
27	41032	GUARD, JACK SHAFT, GMS-20	1
28	10018	SCREW, CAP 1/4-20 X 3/4	2
29	10602	WASHER, FLAT 1/4 SAE ZINC	2
30	10861	NUT, KEPS LOCK 1/4-20 ZINC	2
31	40354	COVER END CAP, BELT, GMS-14/20	1
32	10213	WASHER, FLAT 5/16 SAE ZINC	1
33	10807	NUT, HEX LOCK 5/16-18 ZINC	1
34	41030	BRACKET, BELT COVER, GMS-20	1
35	10053	SCREW, CAP 5/16-18 X 3/4	2
36	10213	WASHER, FLAT 5/16 SAE ZINC	6
37	10807	NUT, HEX LOCK 5/16-18 ZINC	3
38	41029	COVER, BELT, GMS-20	1
39	10602	WASHER, FLAT 1/4 SAE ZINC	2
40	10861	NUT, KEPS LOCK 1/4-20 ZINC	2



A Division of Equipment Development Company, Inc.

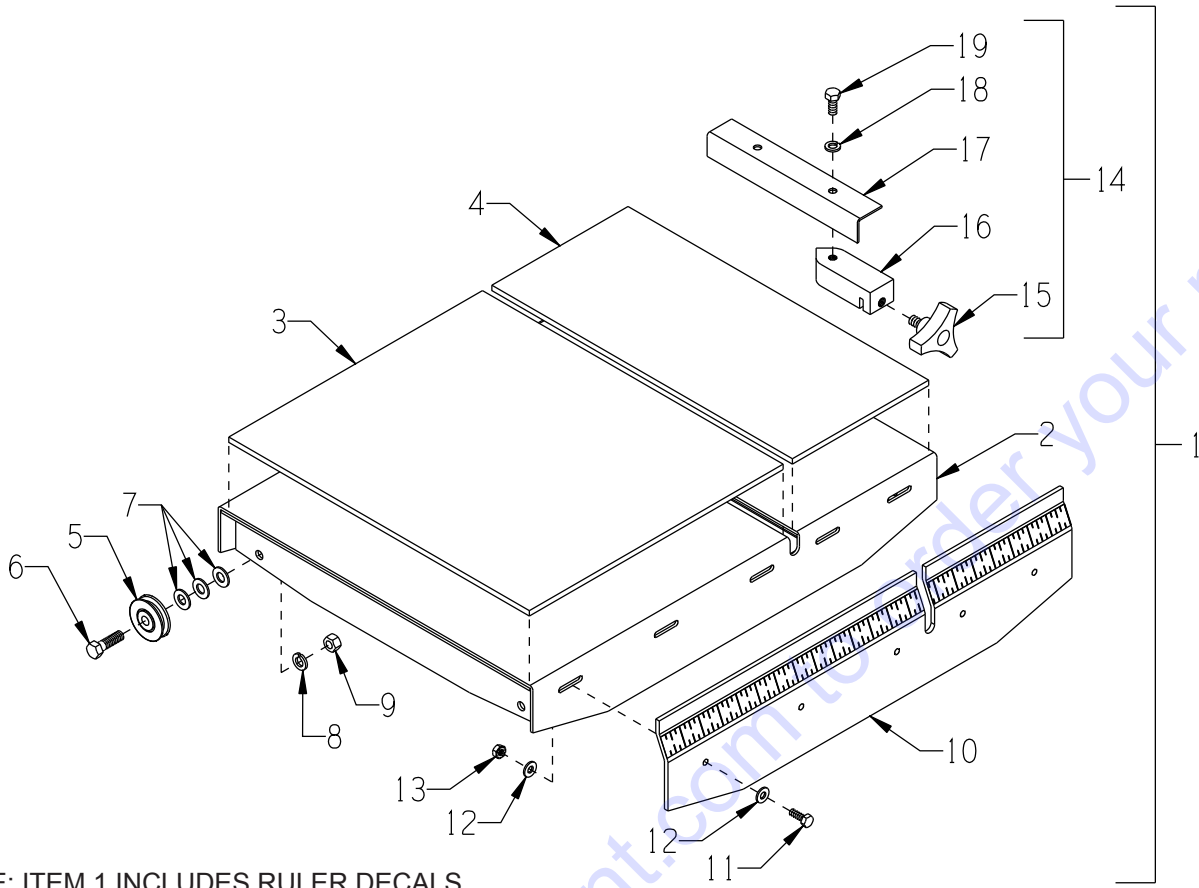
ILLUSTRATION 4: ARBOR ASSEMBLY



ITEM #	PART #	DESCRIPTION	QTY.
1	41113	ARBOR ASSY. COMPLETE (INCLUDES ITEMS 2 THRU 8)	1
2	41024	ARBOR HOUSING, MS/GMS-20	1
3	41025	ARBOR SHAFT 11-3/4"L, MS/GMS-20	1
4	40022	ARBOR BACKING PLATE 4", MASONRY SAW	1
5	40023	ARBOR BLADE CAP 4", MASONRY SAW	1
6	40018	BEARING, RADIAL BALL 20X47X20.6MM	2
7	40036	KEY, WOODRUFF 1/8 X 3/8 (#403)	1
8	10321	SCREW, CAP 1/2-20 X 1-1/4	1

ILLUSTRATION 5: ROLLING TABLE ASSEMBLY

E-GMS20-PL-1012



* NOTE: ITEM 1 INCLUDES RULER DECALS

ITEM #	PART #	DESCRIPTION	QTY.
1*	41101	TABLE COMPLETE, ROLLING (INCLUDES ITEMS 2 THRU 19)	1
2	41102	TABLE ONLY, ROLLING, GMS/MS-20	1
3	41006	RUBBER PAD 16 X 13-5/8 X 1/4	1
4	41007	RUBBER PAD 16 X 7-1/4 X 1/4	1
5	3621	PULLEY BEARING 1-3/4DIA. X 3/8BORE (A.K.A. TRACK WHEEL)	4
6	10816	SCREW, CAP 3/8-24 X 1-1/2	4
7	10025	WASHER, FLAT 3/8 SAE ZINC (QTY. & SPACING MAY VARY)	12
8	10811	WASHER, LOCK 3/8 ZINC	4
9	10014	NUT, HEX 3/8-24 ZINC	4
10	41103	FRONT PANEL, ROLL TABLE (NO RULER DECALS)	1
11	10018	SCREW, CAP 1/4-20 X 3/4	5
12	10602	WASHER, FLAT 1/4 SAE ZINC	10
13	10861	NUT, KEPS LOCK 1/4-20 ZINC	5
14	41140	GUIDE SUBASSEMBLY, CUT, MS/GMS-20 (INCL. ITEMS 15 THRU 19)	1
15	40425	KNOB, 3-PRONG W/ 3/8-16 X 5/8 STUD	1
16	42015	BLOCK, CUT GUIDE, MASONRY SAW	1
17	40689	BRACKET, CUT GUIDE, UNIVERSAL	1
18	10801	WASHER, LOCK 5/16 ZINC	1
19	10053	SCREW, CAP 5/16-18 X 3/4	1



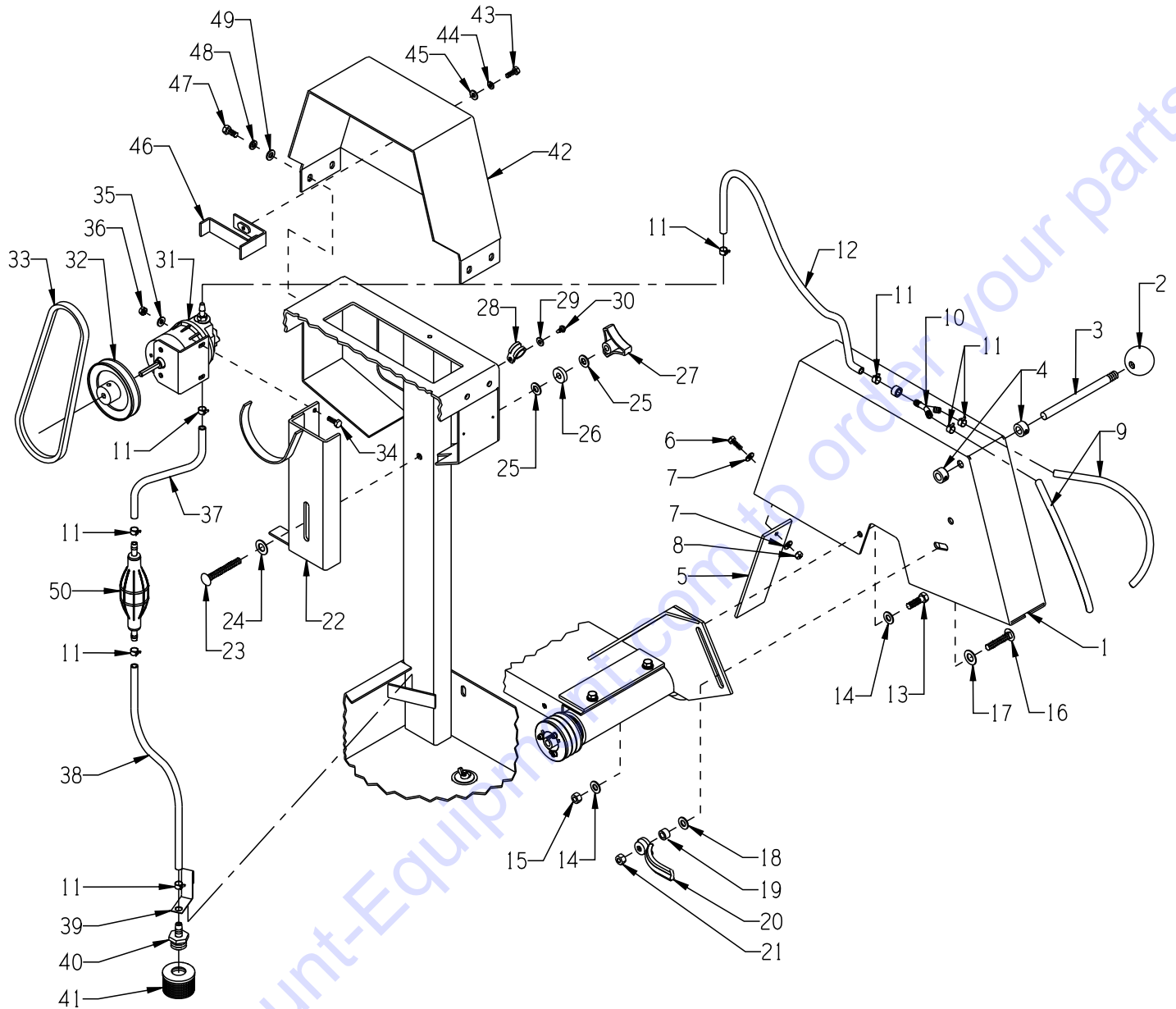
A Division of Equipment Development Company, Inc.

Printed in USA

JWA ©2012

Page 11

ILLUSTRATION 6: BLADE GUARD & WATER PUMP GROUPING



ITEM #	PART #	DESCRIPTION	QTY.
1	41026	GUARD, BLADE 20", MS/GMS-20	1
2	10104	KNOB, BALL 1-7/8 W/ 1/2-13THD, BLK.	1
3	41027	SHAFT, HANDLE, GMS/MS-20	1
4	10431	COLLAR, LOCKING 1/2"ID	2
5	41115	FLAP, RUBBER 2-1/2 X 8	1
6	10018	SCREW, CAP 1/4-20 X 3/4	1
7	10602	WASHER, FLAT 1/4 SAE ZINC	2
8	10015	NUT, HEX LOCK 1/4-20 ZINC	1
9	41061	HOSE 5/16"ID X 12"L, GMS/MS-20	2
10	11721	BARBED FITTING, "Y" 5/16"HOSE	1

**PARTS LISTING CONTINUED - ILLUSTRATION 6:
BLADE GAURD & WATER PUMP GROUPING**

ITEM #	PART #	DESCRIPTION	QTY.
11	10763	CLAMP, HOSE, SPRING-BAND 7/16"	8
12	41062	HOSE 5/16"ID X 35"L, GMS-20	1
13	10309	SCREW, CAP 3/8-24 X 1-1/4 ZINC	1
14	10025	WASHER, FLAT 3/8 SAE ZINC	2
15	10004	NUT, HEX LOCK 3/8-24 ZINC	1
16	10364	BOLT, CARRIAGE 3/8-16 X 2 GRADE 5	1
17	10040	WASHER, GARRET 17/32 X 1 X .054	1
18	10025	WASHER, FLAT 3/8 SAE ZINC	1
19	10011	SPACER, STEEL 5/8OD X 3/8ID X 3/8T	1
20	40044	NUT, TAIL HANDLE 3/8-16	1
21	10810	NUT, HEX LOCK 3/8-16 ZINC	1
22	41034	MOUNT, WATER PUMP, GMS-20	1
23	10909	BOLT, CARRIAGE 3/8-16 X 3 ZINC	1
24	10040	WASHER, GARRET 17/32 X 1 X .054	1
25	10025	WASHER, FLAT 3/8 SAE ZINC	2
26	56018	BUSHING, RUBBER 1"OD X 3/8"ID X 1/4	1
27	80011	KNOB, 3-PRONG W/ 3/8-16 THD.	1
28	11565	CLAMP, LOOM, 5/8" (SAE SIZE 10)	1
29	10877	SCREW, CAP STSHW 10-24 X 1/2	1
30	10831	WASHER, LOCK, INT. TOOTH #10	1
31	40393	PUMP ASSY., WATER, GMS-20 (REFER TO ILLUS. 10 FOR BREAKDOWN)	1
32	40392	SHEAVE 4"OD X 1GR.A X 5/16"BORE	1
33	10259	BELT A-29, GATES HI-POWER II (1/2" x 31")	1
34	10018	SCREW, CAP 1/4-20 X 3/4	2
35	10602	WASHER, FLAT 1/4 SAE ZINC	2
36	10861	NUT, KEPS LOCK 1/4-20 ZINC	2
37	40368	HOSE 5/16"ID X 6"L	1
38	41047	HOSE 5/16"ID X 16"L	1
39	40693	CLIP, FILTER HANGER (S.S.)	1
40	40692	BARB, 3/8HOSE X 3/4NPT (NYLON)	1
41	40691	FILTER BASKET 3/4NPT, 16 MESH S.S.	1
42	41059	COVER, ENGINE BELT, GMS20	1
43	10018	SCREW, CAP 1/4-20 X 3/4	1
44	10038	WASHER, LOCK 1/4 ZINC	1
45	10602	WASHER, FLAT 1/4 SAE ZINC	1
46	41054	RETAINER, WATER PUMP BELT, GMS-20	1
47	10053	SCREW, CAP 5/16-18 X 3/4	4
48	10801	WASHER, LOCK 5/16 ZINC	4
49	10213	WASHER, FLAT 5/16 SAE ZINC	4
50	40049	BULB, PRIMER 5/16"	1



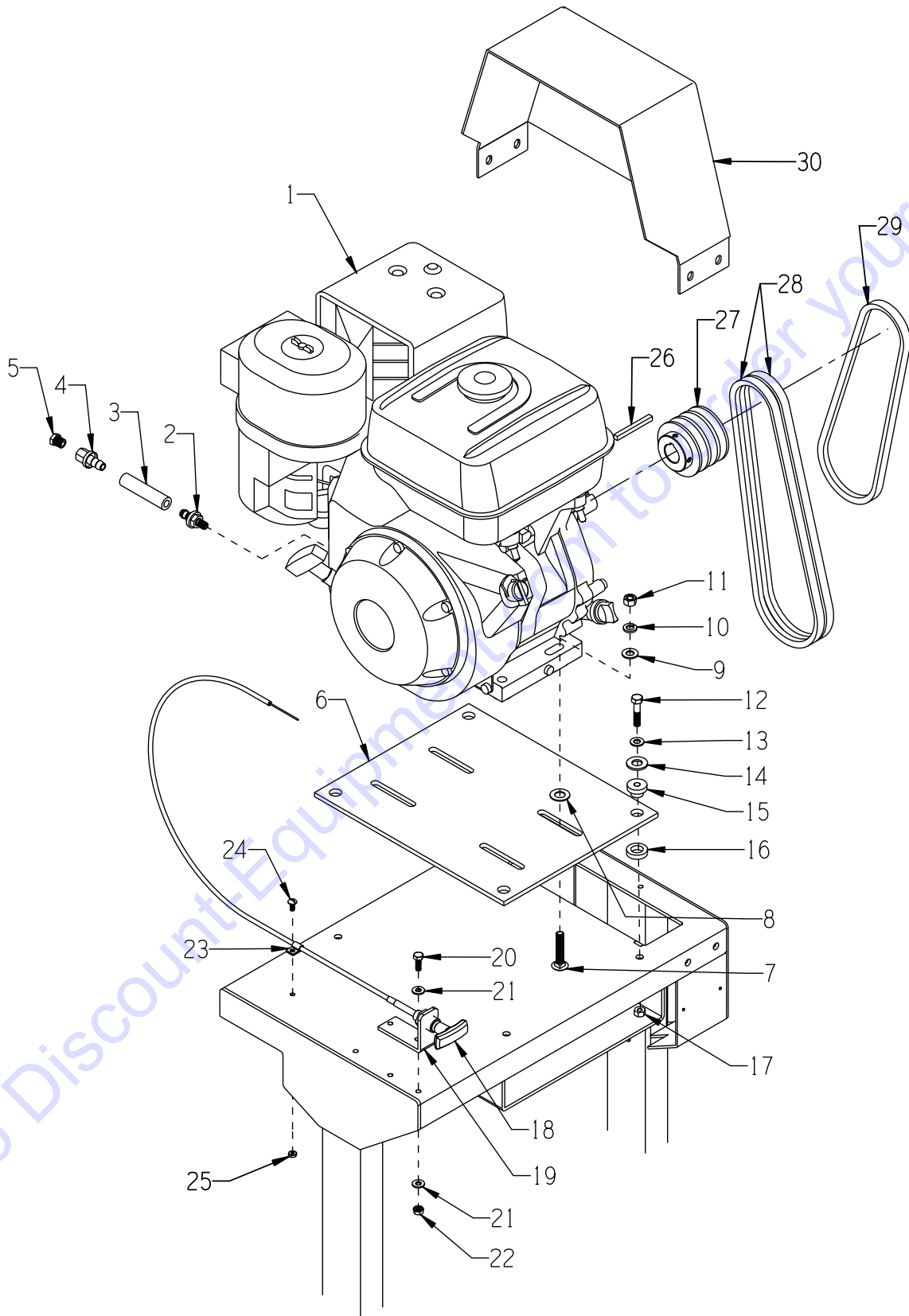
A Division of Equipment Development Company, Inc.

Printed in USA

JWA ©2012

Page 13

ILLUSTRATION 7: ENGINE GROUPING



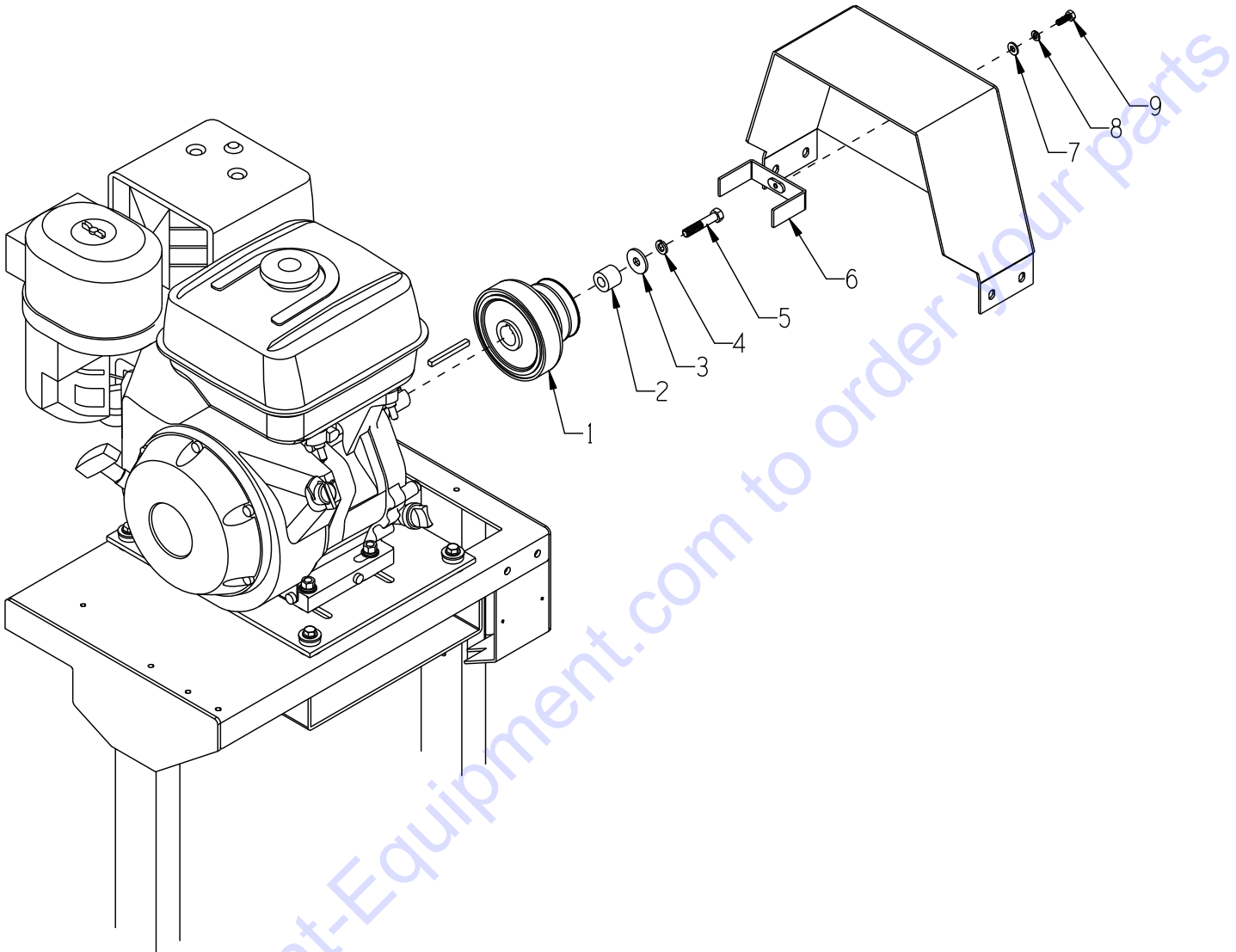
PARTS LISTING - ILLUSTRATION 7: ENGINE GROUPING			
ITEM #	PART #	DESCRIPTION	QTY.
1	15027 79045 15029 15069	HONDA ENGINE W/ CYCLONE AIR CLEANER GX270UT2-QXC9 GX340UT2-QXC9 GX390UT2-QXC9 GX390U1-QNE2 (12V STARTER, NO CYCLONE A.C.)	1
2	11542	BARB, PUSH-ON 3/8HOSE X M12-1.5MALE	1
3	56116	HOSE, PUSH-ON 3/8"ID X 3"L	1
4	11544	BARB, PUSH-ON 3/8 HOSE X 1/4FPT	1
5	10776	PIPE PLUG 1/4 NPT (BRASS)	1
6	41049 41035	ENGINE MOUNT PLATE HONDA GX270 HONDA GX340/390	1
7	10364	BOLT, CARRIAGE 3/8-16 X 2 GRADE 5	4
8	12121	WASHER, 1"OD X 17/32"ID X 21G ZINC	4
9	10025	WASHER, FLAT 3/8 SAE ZINC	4
10	10811	WASHER, LOCK 3/8 ZINC	4
11	10404	NUT, HEX 3/8-16 ZINC	4
12	10342	SCREW, CAP 5/16-18 X 1-1/2	4
13	10213	WASHER, FLAT 5/16 SAE ZINC	4
14	10312	WASHER, FLAT 1/2 SAE ZINC	4
15	10225	BUSHING, RUBBER, ENGINE MOUNT	4
16	79035	BUSHING, RUBBER 1-1/16 X 5/8 X 1/4	4
17	10807	NUT, HEX LOCK 5/16-18 ZINC	4
18	51081	CABLE, TURN-TO-LOCK CONTROL 72" (NOTE: TRIMMED TO APPROX. 34")	1
19	64075	MOUNT BRKT., THROTTLE CABLE	1
20	10018	SCREW, CAP 1/4-20 X 3/4	2
21	10602	WASHER, FLAT 1/4 SAE ZINC	4
22	10861	NUT, KEPS LOCK 1/4-20 ZINC	2
23	10941	CLIP, CONDUIT, THROTTLE CABLE	1
24	10830	SCREW, MACHINE PPH 10-32 X 1/2	1
25	10832	NUT, KEPS LOCK 10-32 ZINC	1
26	10071	KEY, 1/4SQ. X 2-1/2	1
27	80027	SHEAVE 3"OD X 3GR.A X 1"BORE	1
28	10239	BELT A-32, GATES HI-POWER II (1/2" X 34")	2
29	10259	BELT A-29, GATES HI-POWER II (1/2" x 31")	1
30	41059	COVER, ENGINE BELT (SEE ILLUS. 6, ITEM 42)	1



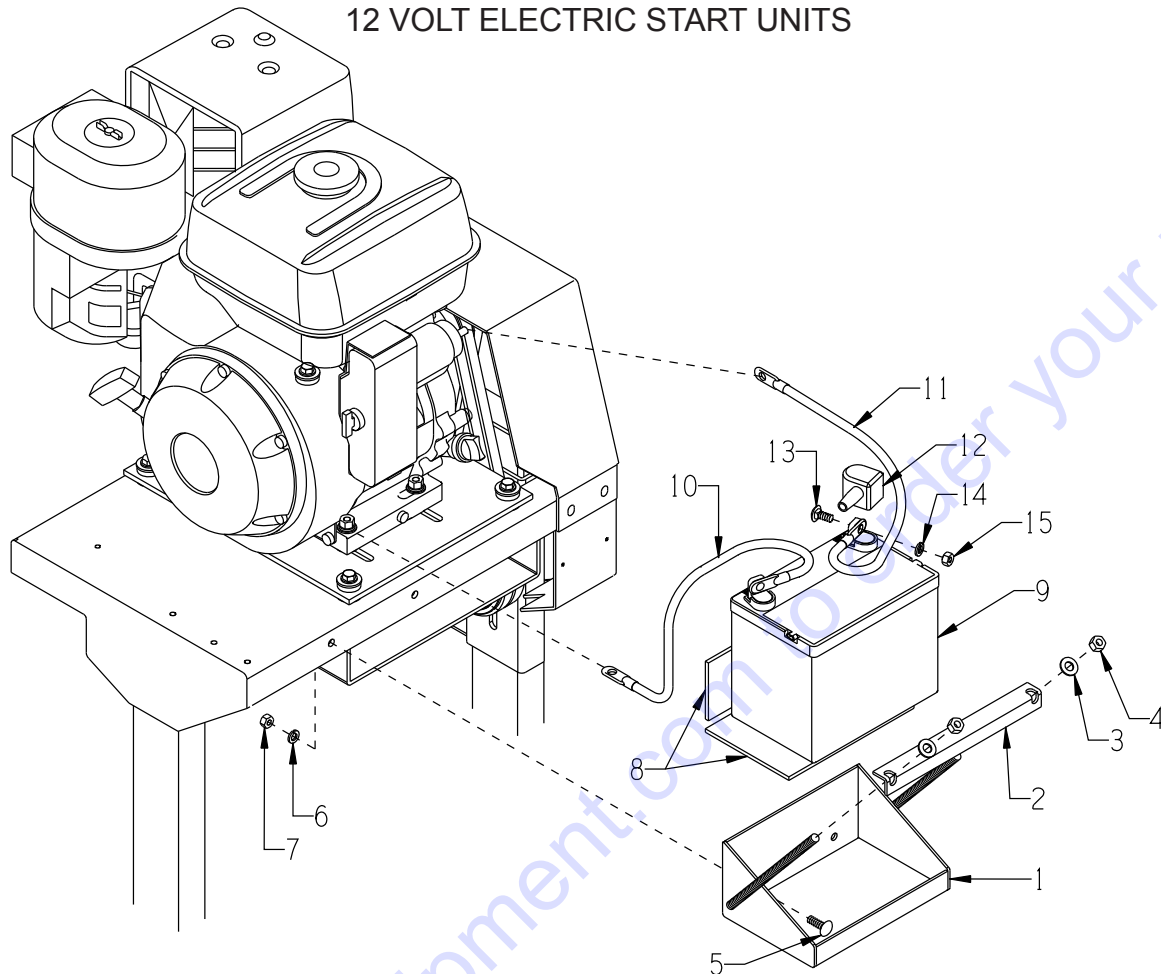
A Division of Equipment Development Company, Inc.

ILLUSTRATION 8: OPTIONAL CLUTCH KIT

PART # 41055



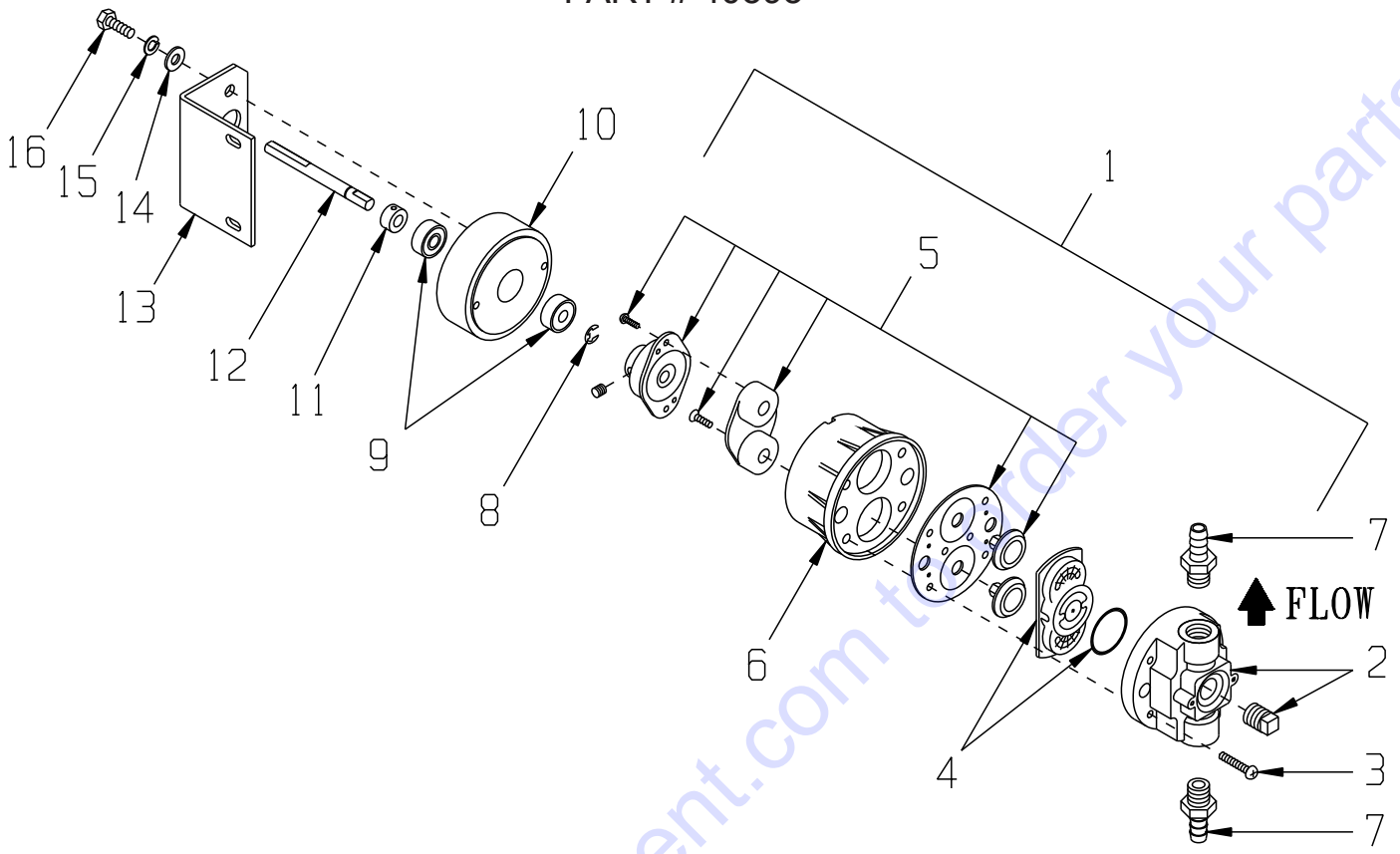
ITEM #	PART #	DESCRIPTION	QTY.
1	40335	CLUTCH, CENTRIFUGAL 3 X 3GR X 1	1
2	41056	SPACER 1"OD X 1/2"ID X 27/32"L	1
3	72006	WASHER, 1-1/4OD X 13/32ID X 1/8THK	1
4	10811	WASHER, LOCK 3/8 ZINC	1
5	10030	SCREW, CAP 3/8-24 X 2	1
6	41058	RETAINER, BELT, GMS20 W/ CLUTCH	1
7	10602	WASHER, FLAT 1/4 SAE ZINC	1
8	10038	WASHER, LOCK 1/4 ZINC	1
9	10018	SCREW, CAP 1/4-20 X 3/4	1

ILLUSTRATION 9: BATTERY GROUPING**12 VOLT ELECTRIC START UNITS**

ITEM #	PART #	DESCRIPTION	QTY.
1	41063	TRAY, BATTERY, GMS-20	1
2	84012	CLAMP, BATTERY HOLD DOWN	1
3	10025	WASHER, FLAT 3/8 SAE ZINC	2
4	10156	NUT, HEX NYLON LOCK 3/8-16 ZINC	2
5	10819	BOLT, CARRIAGE 5/16-18 X 1	2
6	10801	WASHER, LOCK 5/16 ZINC	2
7	10054	NUT, HEX 5/16-18 ZINC	2
8	41064	RUBBER PADS, BATTERY TRAY, GMS-20 (2 PADS)	1
9	84011	BATTERY 12 VOLT/300 CCA(SMALL ENG.)	1
10	84009	CABLE, EYE-EYE 4GA. X 16" (BLACK)	1
11	84009R	CABLE, EYE-EYE 4GA. X 16" (RED)	1
12	11583	INSULATOR, BAT.TERM. U-1 STYLE(RED)	1
13	10818	BOLT, CARRIAGE 5/16-18 X 3/4	2
14	10801	WASHER, LOCK 5/16 ZINC	2
15	10054	NUT, HEX 5/16-18 ZINC	2

ILLUSTRATION 10: WATER PUMP ASSEMBLY

PART # 40393



ITEM #	PART #	DESCRIPTION	QTY.
1	56101-S1	PUMP HEAD, DUPLEX 21050-653A (INCLUDES ITEMS 2 THRU 6)	1
2	56101-S2	PUMP HOUSING BODY 20500-507	1
3	56101-S3	PUMP SCREWS (SET OF 6) 20131-001	1-SET
4	56101-S4	PUMP CHECK VALVE KIT 20028-008	1
5	56101-S5	PUMP DIAPHRAGM KIT W/ BRG 21004-401	1
6	56101-S6	PUMP HOUSING BRG. COVER 20428-100	1
7	40319	BARB, 5/16HOSE X 3/8MPT (BRASS)	2
8	10137	RETAINING RING, E-CLIP 5/16"	1
9	40391	BEARING, RADIAL BALL 5/16X7/8X11/32	2
10	40393-S1	HUB, WATER PUMP	1
11	10415	COLLAR, LOCKING 5/16"ID	2
12	40393-S2	SHAFT, WATER PUMP 5/16 X 3-3/4	1
13	40393-S3	MOUNT BRKT., WATER PUMP. GMS-14/20	1
14	10602	WASHER, FLAT 1/4 SAE ZINC	2
15	10038	WASHER, LOCK 1/4 ZINC	2
16	10018	SCREW, CAP 1/4-20 X 3/4	2

PARTS FINDER

**Search Website
by Part Number**



**Search Manual
Library For Parts
Manual & Lookup Part
Numbers – Purchase
or Request Quote**

Search Manuals

Enter your information to help us find the right parts manual for your machine.

* Brand:

* Model:

* Serial:

* Part Number:

SEARCH

**Can't Find Part or
Manual? Request Help
by Manufacturer,
Model & Description**

Parts Order Form

Please fill in the following information to help us find the right part for your machine.

Manufacturer:	<input type="text"/>
Model:	<input type="text"/>
Description:	<input type="text"/>
Part Number:	<input type="text"/>
Quantity:	<input type="text"/>
Notes:	<input type="text"/>

Submit

Discount-Equipment.com is your online resource for quality parts & equipment.

Florida: **561-964-4949** Outside Florida TOLL FREE: **877-690-3101**

Need parts?

Click on this link: <http://www.discount-equipment.com/category/5443-parts/> and choose one of the options to help get the right parts and equipment you are looking for. Please have the machine model and serial number available in order to help us get you the correct parts. If you don't find the part on the website or on one of the online manuals, please fill out the request form and one of our experienced staff members will get back to you with a quote for the right part that your machine needs.

We sell worldwide for the brands: Genie, Terex, JLG, MultiQuip, Mikasa, Essick, Whiteman, Mayco, Toro Stone, Diamond Products, Generac Magnum, Airman, Haulotte, Barreto, Power Blanket, Nifty Lift, Atlas Copco, Chicago Pneumatic, Allmand, Miller Curber, Skyjack, Lull, Skytrak, Tsurumi, Husquvarna Target, Stow, Wacker, Sakai, Mi-T-M, Sullair, Basic, Dynapac, MBW, Weber, Bartell, Bennar Newman, Haulotte, Ditch Runner, Menegotti, Morrison, Contec, Buddy, Crown, Edco, Wyco, Bomag, Laymor, EZ Trench, Bil-Jax, F.S. Curtis, Gehl Pavers, Heli, Honda, ICS/PowerGrit, IHI, Partner, Imer, Clipper, MMD, Koshin, Rice, CH&E, General Equipment, Amida, Coleman, NAC, Gradall, Square Shooter, Kent, Stanley, Tamco, Toku, Hatz, Kohler, Robin, Wisconsin, Northrock, Oztec, Toker TK, Rol-Air, APT, Wylie, Ingersoll Rand / Doosan, Innovatech, Con X, Ammann, Mecalac, Makinex, Smith Surface Prep, Small Line, Wanco, Yanmar