



STARTING SERIAL # 051110064

**NEW STYLE
DUST CONTROL SYSTEM
FOR
EDCO 20" MASONRY SAWS**

PARTS LIST



MODEL GMS-20 SHOWN WITH
NEW EDCO SPIRAL DRY VAC
(GASOLINE & ELECTRIC SYSTEMS ARE AVAILABLE)

EDCO

PARTS FINDER

**Search Website
by Part Number**



**Search Manual
Library For Parts
Manual & Lookup Part
Numbers – Purchase
or Request Quote**

Search Manuals

Enter your information to help us find the right parts manual for your machine.

* Brand:

* Model:

* Serial:

* Part Number:

SEARCH

**Can't Find Part or
Manual? Request Help
by Manufacturer,
Model & Description**

Parts Order Form

Please fill in the following information to help us find the right part for your machine.

Manufacturer:	<input type="text"/>
Model:	<input type="text"/>
Description:	<input type="text"/>
Part Number:	<input type="text"/>
Quantity:	<input type="text"/>
Notes:	<input type="text"/>

Submit

Discount-Equipment.com is your online resource for quality parts & equipment.

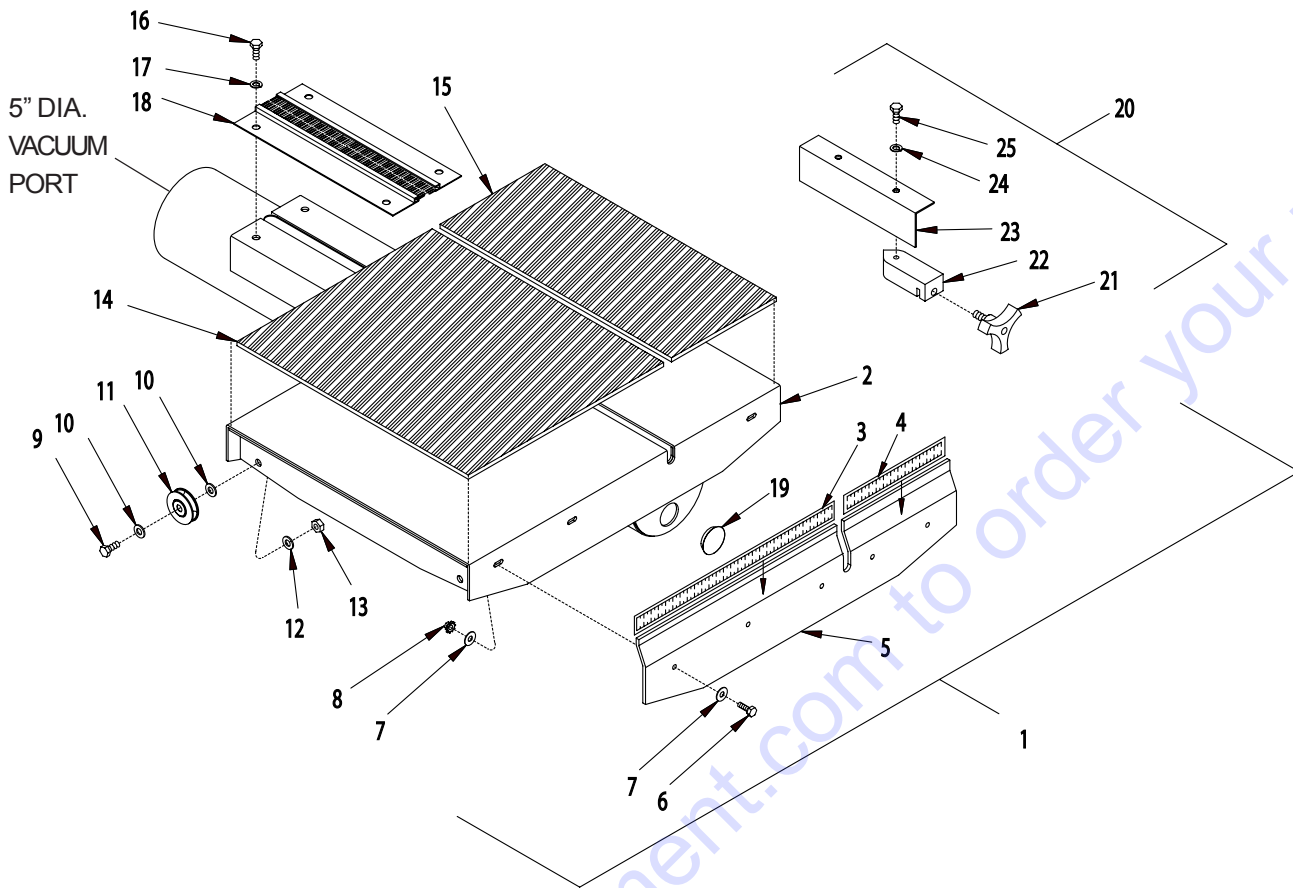
Florida: **561-964-4949** Outside Florida TOLL FREE: **877-690-3101**

Need parts?

Click on this link: <http://www.discount-equipment.com/category/5443-parts/> and choose one of the options to help get the right parts and equipment you are looking for. Please have the machine model and serial number available in order to help us get you the correct parts. If you don't find the part on the website or on one of the online manuals, please fill out the request form and one of our experienced staff members will get back to you with a quote for the right part that your machine needs.

We sell worldwide for the brands: Genie, Terex, JLG, MultiQuip, Mikasa, Essick, Whiteman, Mayco, Toro Stone, Diamond Products, Generac Magnum, Airman, Haulotte, Barreto, Power Blanket, Nifty Lift, Atlas Copco, Chicago Pneumatic, Allmand, Miller Curber, Skyjack, Lull, Skytrak, Tsurumi, Husquvarna Target, Stow, Wacker, Sakai, Mi-T-M, Sullair, Basic, Dynapac, MBW, Weber, Bartell, Bennar Newman, Haulotte, Ditch Runner, Menegotti, Morrison, Contec, Buddy, Crown, Edco, Wyco, Bomag, Laymor, EZ Trench, Bil-Jax, F.S. Curtis, Gehl Pavers, Heli, Honda, ICS/PowerGrit, IHI, Partner, Imer, Clipper, MMD, Koshin, Rice, CH&E, General Equipment, Amida, Coleman, NAC, Gradall, Square Shooter, Kent, Stanley, Tamco, Toku, Hatz, Kohler, Robin, Wisconsin, Northrock, Oztec, Toker TK, Rol-Air, APT, Wylie, Ingersoll Rand / Doosan, Innovatech, Con X, Ammann, Mecalac, Makinex, Smith Surface Prep, Small Line, Wanco, Yanmar

ILLUSTRATION 1: ROLL TABLE ASSY. FOR DUST CONTROL
PART # 41160



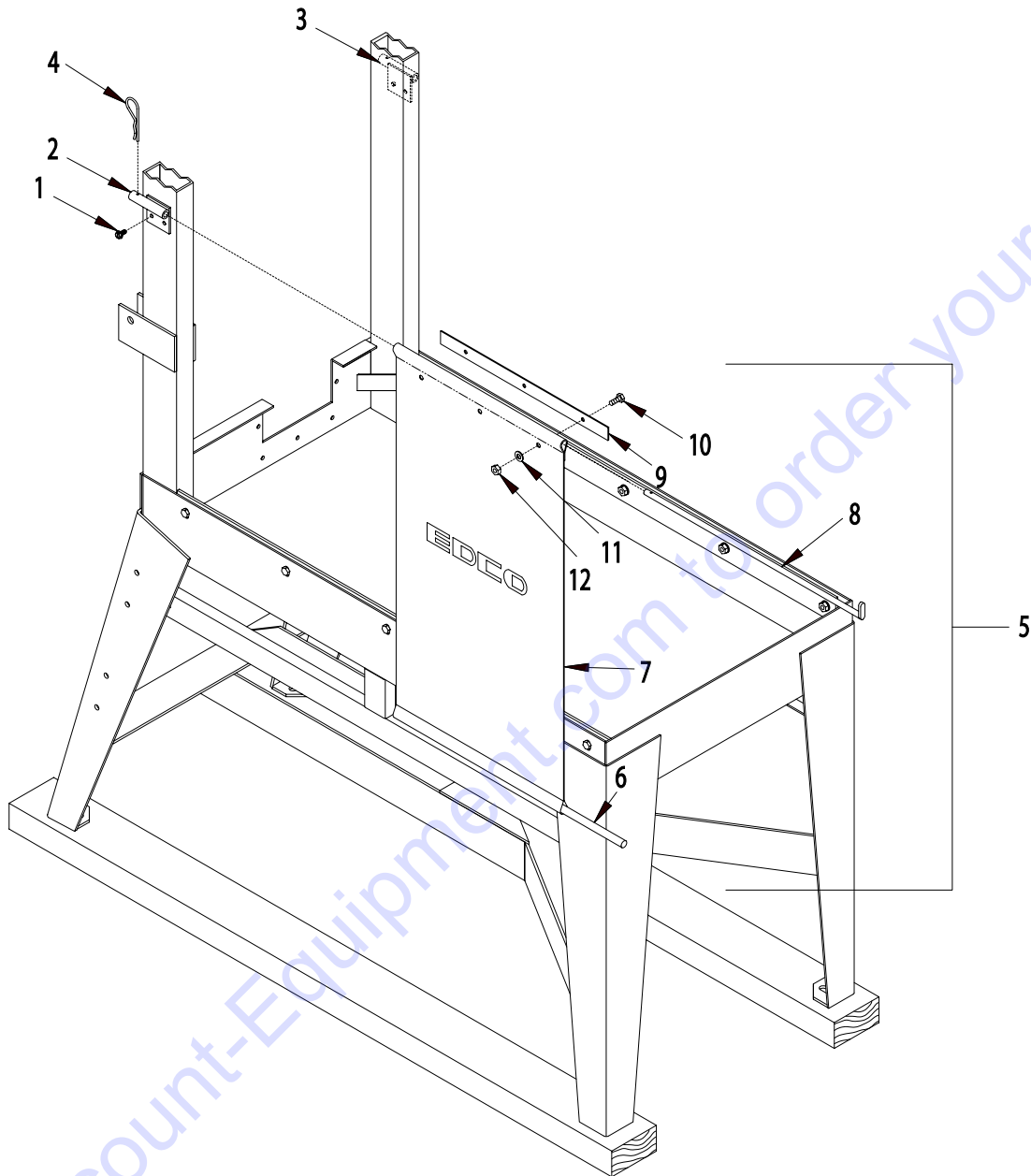
ITEM#	PART#	DESCRIPTION	QTY.
1	41160	TABLE ASSY., DUST CONTROL (INCLUDES ITEMS 2-25)	1
2	41161	TABLE ONLY, DUST CONTROL	1
3	40423	RULE, ADHESIVE-BACKED, 1-13, R-L	1
4	40424	RULE, ADHESIVE-BACKED, 1-7, L-R	1
5	41103	FRONT PANEL, ROLL TABLE	1
6	10018	SCREW, CAP 1/4-20 X 3/4	3
7	10602	WASHER, FLAT 1/4 SAE	6
8	10861	NUT, KEPS 1/4-20	3
9	10309	SCREW, CAP 3/8-24 X 1-1/4	2
	10816	SCREW, CAP 3/8-24 X 1-1/2	2
10	10025	WASHER, FLAT 3/8 SAE	AS REQ'D.
11	3621	PULLEY BEARING 1-3/4 DIA. X 3/8 BORE	4
12	10811	WASHER, LOCK 3/8	4
13	10004	NUT, LOCK 3/8-24	4
14	41006	PAD 16 X 13-1/2	1
15	41007	PAD 16 X 7-1/4	1
16	10834	SCREW, CAP 1/4-20 X 1/2	4
17	10038	WASHER, LOCK 1/4	4
18	41162	BRUSH SEAL, ROLL TABLE	2
19	28138	PLUG, HOLE 1-1/4"	1
20	41140	GUIDE SUBASSEMBLY, CUT (INCLUDES ITEMS 21-25)	1
21	40425	KNOB, 3-PRONG W/ 3/8-16 X 5/8 STUD	1
22	42015	BLOCK, CUT GUIDE	1
23	41104	BRACKET, CUT GUIDE	1
24	10801	WASHER, LOCK 5/16	1
25	10053	SCREW, CAP 5/16-18 X 3/4	1

NOTES:

- 1.) TO USE THIS STYLE ROLL TABLE, THE PAN ON THE MASONRY SAW MUST HAVE THE OPENING IN THE REAR TO ALLOW THE VACUUM PORT TO EXTEND OUT THE BACK. SEE ILLUS. 3.
- 2.) WHEN USING THIS STYLE ROLL TABLE, THE HEAD MUST BE LOCKED SO THE BOTTOM OF THE BLADE IS IN THE CHANNEL OPENING. DUST CONTROL WILL NOT BE EFFECTIVE WHEN CHOP CUTTING.

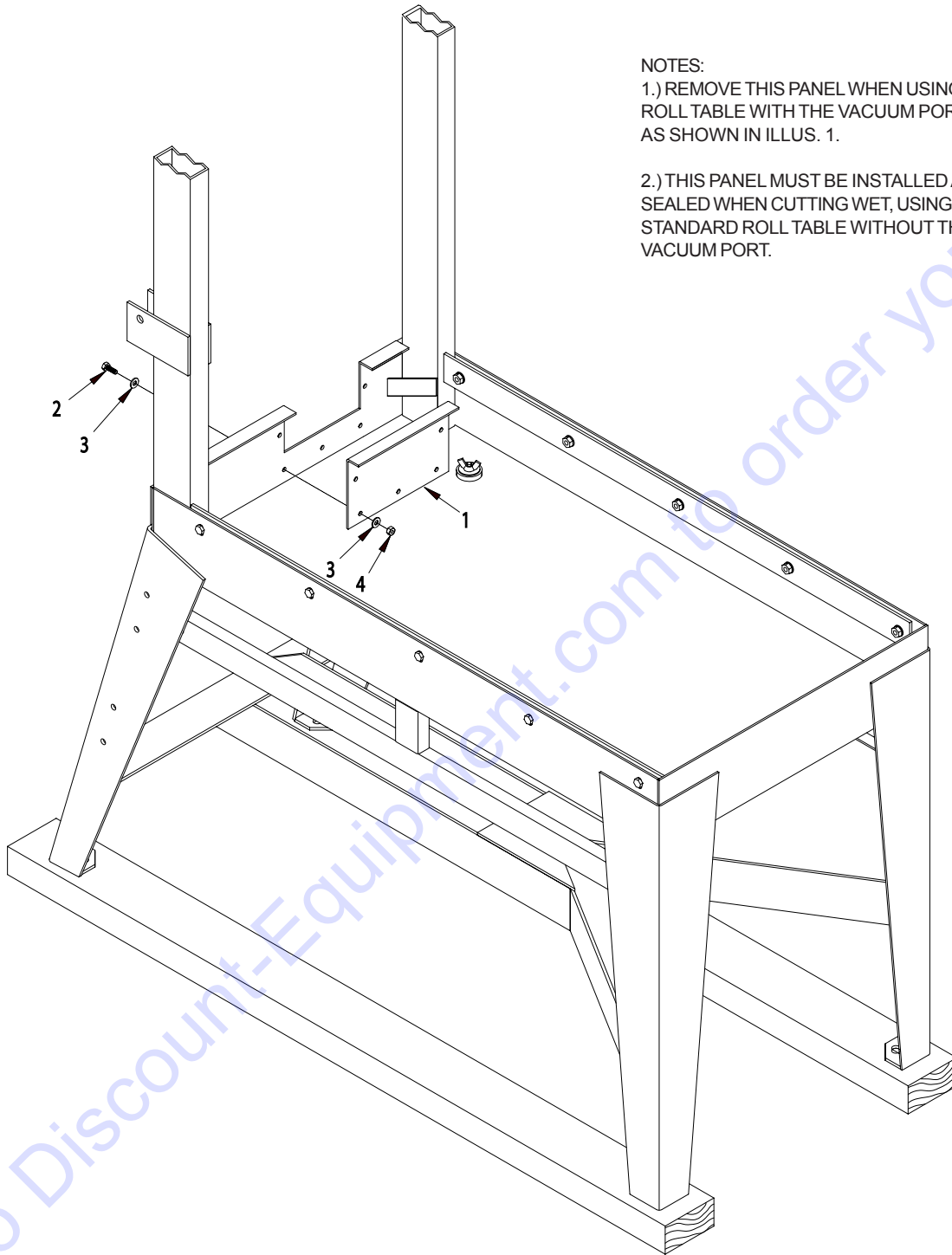


ILLUSTRATION 2: CURTAIN KIT FOR DUST CONTROL PART # 41155



ITEM#	PART#	DESCRIPTION	QTY.
1	10846	SCREW, CAP STSHW 1/4-20 X 1/2	4
2	40323A	LEFT MOUNTING BRKT., CURTAIN ROD	1
3	40323B	RIGHT MOUNTING BRKT., CURTAIN ROD	1
4	61066	PIN, HAIR COTTER 1/2"(.125 X 1-3/4)	2
5	41152A	CURTAIN & ROD SUBASSY. (INCLUDES ITEMS 6-12)	2
6	40377	CURTAIN ROD 1/2"DIA. X 13"L	2
7	40375	CURTAIN 15" X 28" W/ LOGO	2
8	41152	ROD, CURTAIN, DUST CONTROL SYSTEM	2
9	41153	BRACKET, CURTAIN, DUST CONTROL SYSTEM	2
10	10018	SCREW, CAP 1/4-20 X 3/4	6
11	10602	WASHER, FLAT 1/4 SAE	6
12	10150	NUT, HEX NYLON LOCK 1/4-20	6

ILLUSTRATION 3: REAR CLOSE-OFF PANEL GROUPING



NOTES:

1.) REMOVE THIS PANEL WHEN USING THE ROLL TABLE WITH THE VACUUM PORT AS SHOWN IN ILLUS. 1.

2.) THIS PANEL MUST BE INSTALLED AND SEALED WHEN CUTTING WET, USING THE STANDARD ROLL TABLE WITHOUT THE VACUUM PORT.

ITEM#	PART#	DESCRIPTION	QTY.
1	41159	PANEL, REAR CLOSE-OFF <i>USE SILICONE CAULKING AROUND PAN CUTOUT TO SEAL</i>	1
2	10018	SCREW, CAP 1/4-20 X 3/4	5
3	10602	WASHER, FLAT 1/4 SAE	5
4	10861	NUT, KEPS 1/4-20	5

PARTS FINDER

**Search Website
by Part Number**



**Search Manual
Library For Parts
Manual & Lookup Part
Numbers – Purchase
or Request Quote**

Search Manuals

Enter your information to help us find the right parts manual for your machine.

* Brand:

* Model:

* Serial:

* Part Number:

SEARCH

**Can't Find Part or
Manual? Request Help
by Manufacturer,
Model & Description**

Parts Order Form

Please fill in the following information to help us find the right part for your machine.

Manufacturer:	<input type="text"/>
Model:	<input type="text"/>
Description:	<input type="text"/>
Part Number:	<input type="text"/>
Quantity:	<input type="text"/>
Notes:	<input type="text"/>

Submit

Discount-Equipment.com is your online resource for quality parts & equipment.

Florida: **561-964-4949** Outside Florida TOLL FREE: **877-690-3101**

Need parts?

Click on this link: <http://www.discount-equipment.com/category/5443-parts/> and choose one of the options to help get the right parts and equipment you are looking for. Please have the machine model and serial number available in order to help us get you the correct parts. If you don't find the part on the website or on one of the online manuals, please fill out the request form and one of our experienced staff members will get back to you with a quote for the right part that your machine needs.

We sell worldwide for the brands: Genie, Terex, JLG, MultiQuip, Mikasa, Essick, Whiteman, Mayco, Toro Stone, Diamond Products, Generac Magnum, Airman, Haulotte, Barreto, Power Blanket, Nifty Lift, Atlas Copco, Chicago Pneumatic, Allmand, Miller Curber, Skyjack, Lull, Skytrak, Tsurumi, Husquvarna Target, Stow, Wacker, Sakai, Mi-T-M, Sullair, Basic, Dynapac, MBW, Weber, Bartell, Bennar Newman, Haulotte, Ditch Runner, Menegotti, Morrison, Contec, Buddy, Crown, Edco, Wyco, Bomag, Laymor, EZ Trench, Bil-Jax, F.S. Curtis, Gehl Pavers, Heli, Honda, ICS/PowerGrit, IHI, Partner, Imer, Clipper, MMD, Koshin, Rice, CH&E, General Equipment, Amida, Coleman, NAC, Gradall, Square Shooter, Kent, Stanley, Tamco, Toku, Hatz, Kohler, Robin, Wisconsin, Northrock, Oztec, Toker TK, Rol-Air, APT, Wylie, Ingersoll Rand / Doosan, Innovatech, Con X, Ammann, Mecalac, Makinex, Smith Surface Prep, Small Line, Wanco, Yanmar