

Standard Configurations

- Overload Sensor and Alarm
- Tilt/Slope Sensors and Alarm
- Self-closing Gate
- Lanyard Points
- Descent Protection and Alarm
- Full Height Drive
- Intelligent Diagnostic System
- AC Platform Power (GFCI)
- Proportional Control
- Wind Rating Stickers

ANSI A92.20 Telescopic Boom Lifts



**Discount
Equipment**

www.Discount-Equipment.com

LGMG North America Inc.

DEUTZ DIESEL MOTOR DRIVE

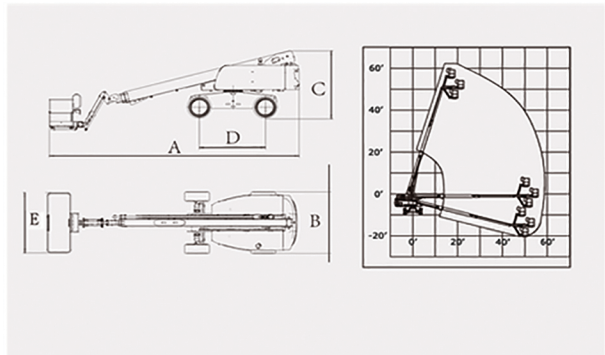
T72J High Capacity Telescopic Boom Lift (Indoor/Outdoor)

- Strong power flow with exceptional functionality for climbing slopes and designed to be tough with powerful performance
- Equipped with pressure sensors to ensure precise weights and increased operator safety as well as dual lift high capacity
- CAN bus communication system with simple wiring for increased reliability and easy troubleshooting and repair
- An advanced control system provides machine status updates, diagnosis, capabilities, and the ability to perform adjustments online and remotely



Product Specifications	T72J
Platform Capacity (Unrestricted/Restricted)	661 lbs / 992 lbs
Platform Occupants (Unrestricted/Restricted)	2/3
Platform Height (Full Extension)	72'
Horizontal Outreach	57' 5"
Below Grade Reach	7' 6.5"
Machine Length	34' 9"
Machine Width	8' 2"
Machine Height (Stowed)	9' 2"
Wheelbase	8' 3"
Ground Clearance - Center	1' 3"
Ground Clearance - Lowest Point	1'
Platform Size	96" x 36"
Platform Rotator	360°
Drive Speed (Lowered)	3 Mph
Drive Speed (Elevated Max Height)	0.5 Mph
Drive Mode	4x4
Gradeability (4WD)	45%
Max Slope/Tilt	4.5° / 4.5°
Max Wind Speed	28 Mph
Turntable Type	Continuous
Turning Radius (Inside)	8' 2"
Turning Radius (Outside)	17' 10"
Power Source	Deutz D2.9L4
Machine Weight	27,117 lbs

ANSI A92.20 Compliant



LGMG North America Inc.

**Discount
Equipment**

www.Discount-Equipment.com