

REVISED STARTING SERIAL# 2005



ELECTRIC POWERED
20" MASONRY SAW
PARTS LIST MANUAL



Model MS-20



PARTS FINDER

**Search Website
by Part Number**



**Search Manual
Library For Parts
Manual & Lookup Part
Numbers – Purchase
or Request Quote**

Search Manuals

Enter your information to help us find the right parts manual for your machine.

* Brand:

* Model:

* Serial:

* Part Number:

SEARCH

**Can't Find Part or
Manual? Request Help
by Manufacturer,
Model & Description**

Parts Order Form

Please fill in the following information to help us find the right part for your machine.

MANUFACTURER:

MODEL:

DESCRIPTION:

DATE:

TIME:

PHONE:

EMAIL:

ADDRESS:

CITY:

STATE:

ZIP:

NAME:

COMPANY:

PHONE:

EMAIL:

REQUEST FOR QUOTE

Discount-Equipment.com is your online resource for quality parts & equipment.

Florida: **561-964-4949** Outside Florida TOLL FREE: **877-690-3101**

Need parts?

Click on this link: <http://www.discount-equipment.com/category/5443-parts/> and choose one of the options to help get the right parts and equipment you are looking for. Please have the machine model and serial number available in order to help us get you the correct parts. If you don't find the part on the website or on one of the online manuals, please fill out the request form and one of our experienced staff members will get back to you with a quote for the right part that your machine needs.

We sell worldwide for the brands: Genie, Terex, JLG, MultiQuip, Mikasa, Essick, Whiteman, Mayco, Toro Stone, Diamond Products, Generac Magnum, Airman, Haulotte, Barreto, Power Blanket, Nifty Lift, Atlas Copco, Chicago Pneumatic, Allmand, Miller Curber, Skyjack, Lull, Skytrak, Tsurumi, Husquvarna Target, Stow, Wacker, Sakai, Mi-T-M, Sullair, Basic, Dynapac, MBW, Weber, Bartell, Bennar Newman, Haulotte, Ditch Runner, Menegotti, Morrison, Contec, Buddy, Crown, Edco, Wyco, Bomag, Laymor, EZ Trench, Bil-Jax, F.S. Curtis, Gehl Pavers, Heli, Honda, ICS/PowerGrit, IHI, Partner, Imer, Clipper, MMD, Koshin, Rice, CH&E, General Equipment, Amida, Coleman, NAC, Gradall, Square Shooter, Kent, Stanley, Tamco, Toku, Hatz, Kohler, Robin, Wisconsin, Northrock, Oztec, Toker TK, Rol-Air, APT, Wylie, Ingersoll Rand / Doosan, Innovatech, Con X, Ammann, Mecalac, Makinex, Smith Surface Prep, Small Line, Wanco, Yanmar

READ AND UNDERSTAND THE OPERATORS INSTRUCTION MANUAL THOROUGHLY BEFORE ATTEMPTING TO OPERATE THIS EQUIPMENT. Death or serious injury could occur if this machine is used improperly.



SAFETY MESSAGES



The safety instructions are preceded by a graphic alert message of DANGER, WARNING, or CAUTION.



Indicates an imminent hazard which, if not avoided, will result in death or serious injury.



Indicates an imminent hazard which, if not avoided, can result in death or serious injury.



Indicates hazards which, if not avoided, could result in serious injury and or damage to the equipment.

GASOLINE

Powered Equipment



- Do not operate gasoline powered equipment without adequate ventilation. Carbon monoxide is an invisible, odorless gas that can kill.

ELECTRICAL

Powered Equipment



- ELECTRICAL HAZARD** - Be sure equipment is properly grounded. Failure to comply could kill or result in serious injury.



The engine exhaust from this product contains chemicals known to the State of California to cause cancer, birth defects or other reproductive harm.

GENERAL INSTRUCTIONS



- You must read and understand the operators instruction manual and all other manuals associated with this machine. For your safety and the safety of others around you, it is extremely important to fully understand how to operate this machine in the way it was intended. Different model machines or older/newer versions of the same model may have different parts and controls that you need to understand. If instructions are not readable or available DO NOT USE this machine and contact Discount-equipment for a replacement Manual.
- You must be able to physically handle the bulk weight and power of this machine. If not properly controlled this machine can cause death or serious injury.
- Do not operate this machine in an impaired mental state. You must be able to exercise good judgement and reactions to maintain a safe working environment.
- This is a "one person" machine which means only one operator can be operating the machine at any one time. For the safety of others, maintain a safe operating distance to other personnel. Your work area should be defined and appropriately marked so bystanders and coworkers do not stand or walk near this machine and end up seriously injured by flying debris or exposing them to harmful noise or dust.
- This equipment is for Commercial use. Although this is a "one person" machine your work team should understand how to shut this machine off and quickly get medical help if an accident strikes the operator.
- Keep all guards in place during operation. The guards are to provide protection from inadvertent contact with dangerous moving parts, pinch points, or hot surfaces.
- Wear appropriate Personal Protective Equipment (PPE) including safety glasses, safety boots, work gloves, respiratory protection,

hearing protection, and head protection. Do not wear loose clothing that can get tangled in moving parts. Failure to do so could result in dismemberment or death. **Wear an approved respirator when removing hazardous materials or when grinding/cutting dry materials. Some dust particles such as concrete dust can contain silicate particles which can cause silicosis (a very serious lung disease). Contact NIOSH or OSHA for further details. When wet grinding/cutting, avoid contact with the concrete/asphalt slurry which can cause serious skin irritations.**

- You must maintain this machine per the maintenance schedule in the operator manual. Remember before adjusting, servicing, or fueling this machine, disconnect the source of power to the machine by disconnecting the spark plug (Gas models), or by unplugging the electrical power cord (electric models) or air hose (Pneumatic models) AT THE MACHINE so you can assure yourself it remains unplugged while you are working on it. Do not modify this machine. Use only genuine EDCO parts and accessories. Repairs and service should be performed by approved EDCO dealers or authorized technicians.
- You should look carefully around the area before you begin work so you can identify potential hazards such as deck inserts, pipes, columns, openings, electrical cords or outlets, or any other objects protruding from the slab surface.
- This machine has no brain so you must use your own. There is no substitute for safety. The safety decals on the machine are to serve as a reminder for information you must already know before you begin using this machine. Take a moment to reread the safety decals each time you use the machine. If your machine is missing any decals, contact Discount-equipment for a replacement.

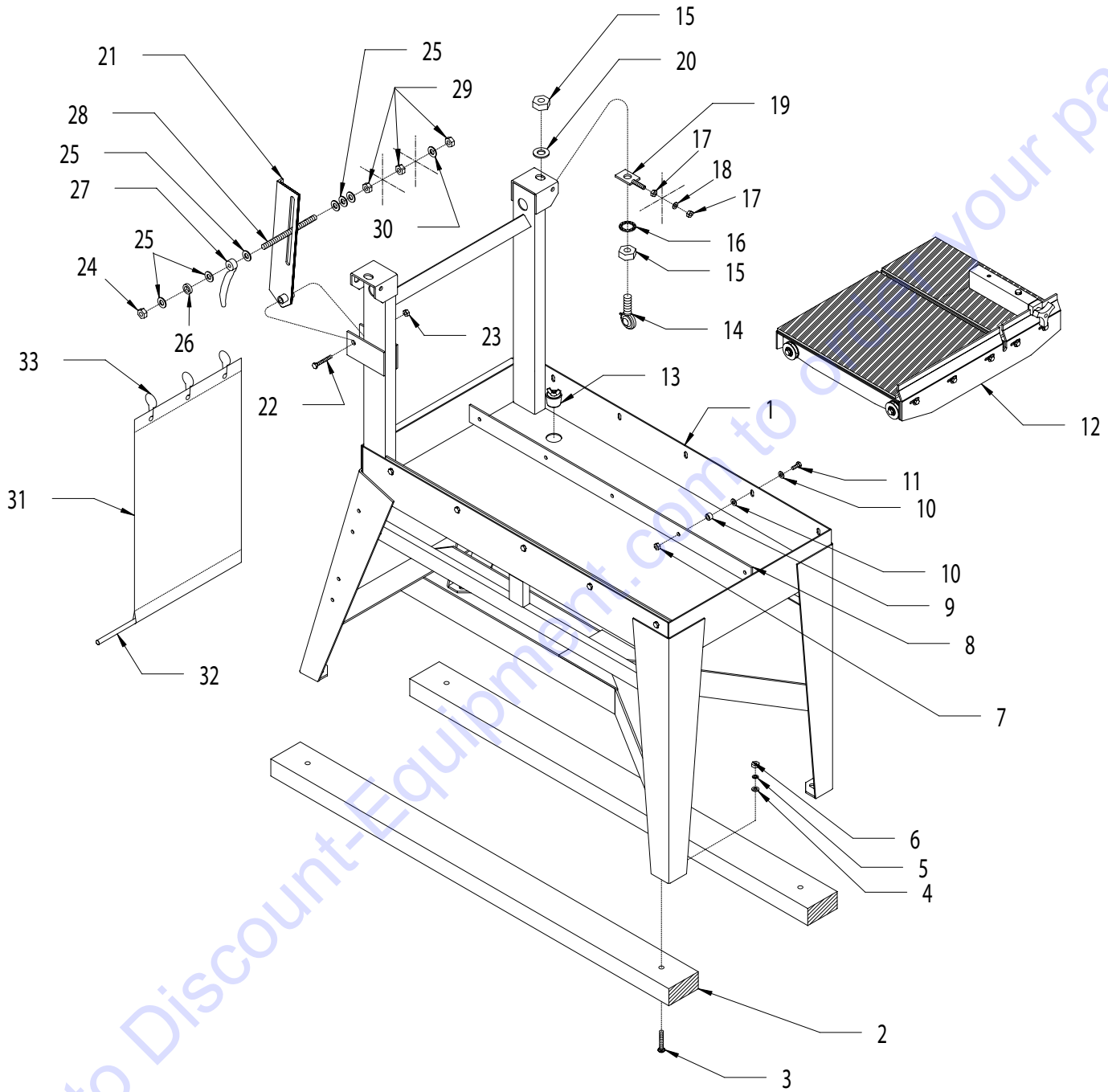
PARTS LIST MANUAL

MODEL MS-20

Section	Page Number
Safety Messages / General Instructions	2
How To Order Replacement Parts	3
Illustration 1 : Main Grouping	4,5
Illustration 2 : Foot Pedal & Linkage Grouping	6,7
Illustration 3 : Blade Guard Grouping	8,9
Illustration 4 : Arbor Assembly Grouping	10
Illustration 5 : Rolling Table Assembly Grouping	11
Illustration 6 : Main Deck Assembly Grouping	12
Illustration 7 : Belt Drive Grouping	13
Illustration 8 : Power Option Grouping	14,15
Limited Equipment Warranty	back cover

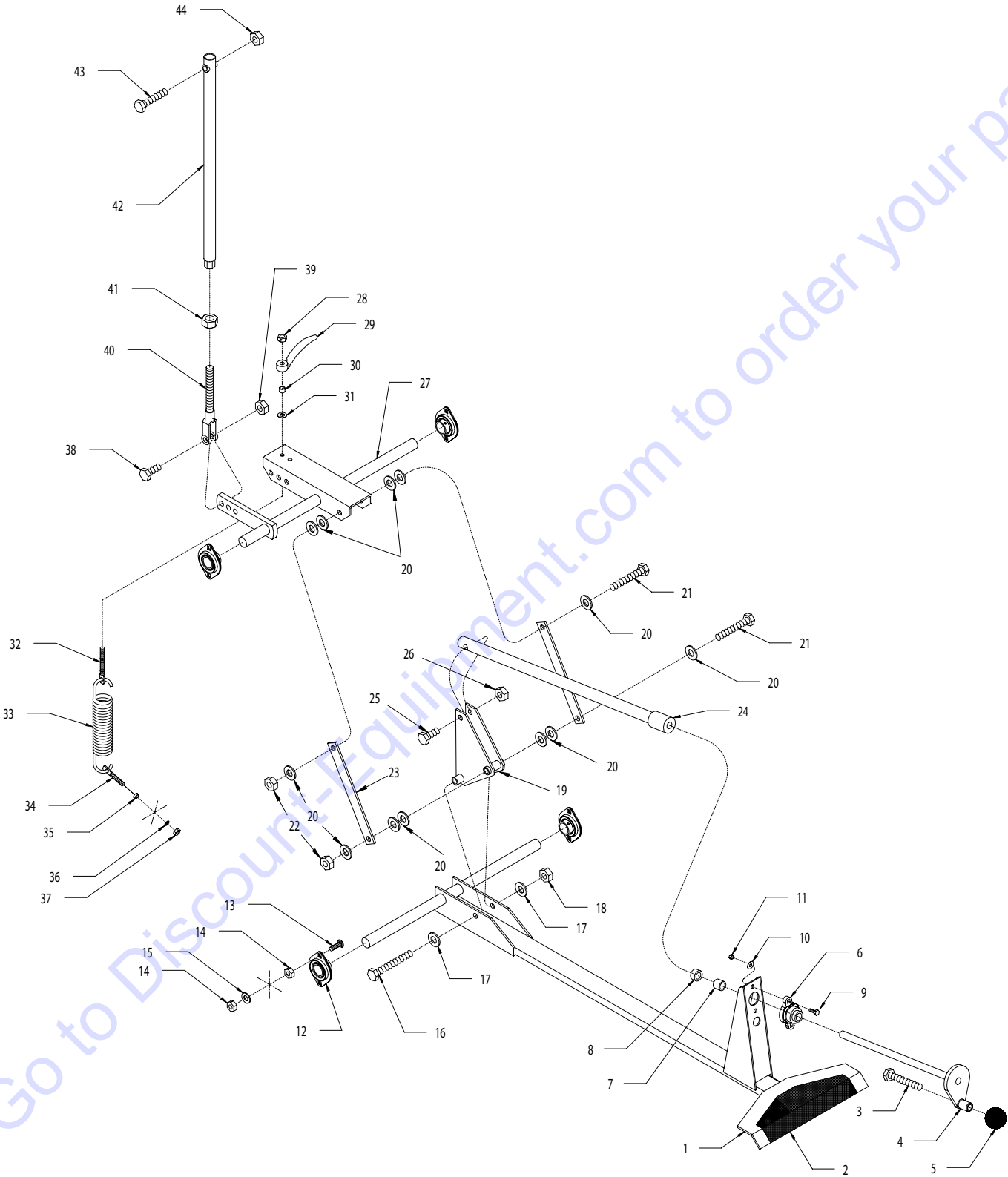
ELECTRIC POWERED 20" MASONRY SAWS		
PART NO.	MODEL	ELECTRIC MOTOR POWER OPTION
21500-230	MS20-5B/230/3	BALDOR 5.0 HP-3 PHASE-60HZ-230V
21500-460	MS20-5B/460/3	BALDOR 5.0 HP-3 PHASE-60HZ-460V
21200	MS20-5B/230/1	BALDOR 5.0 HP-1 PHASE-60 HZ-230V
21300-230	MS20-7.5B/230/3	BALDOR 7.5 HP-3 PHASE-60 HZ-230V
21300-460	MS20-7.5B/460/3	BALDOR 7.5 HP-3 PHASE-60 HZ-460V

ILLUSTRATION 1 : MAIN GROUPING



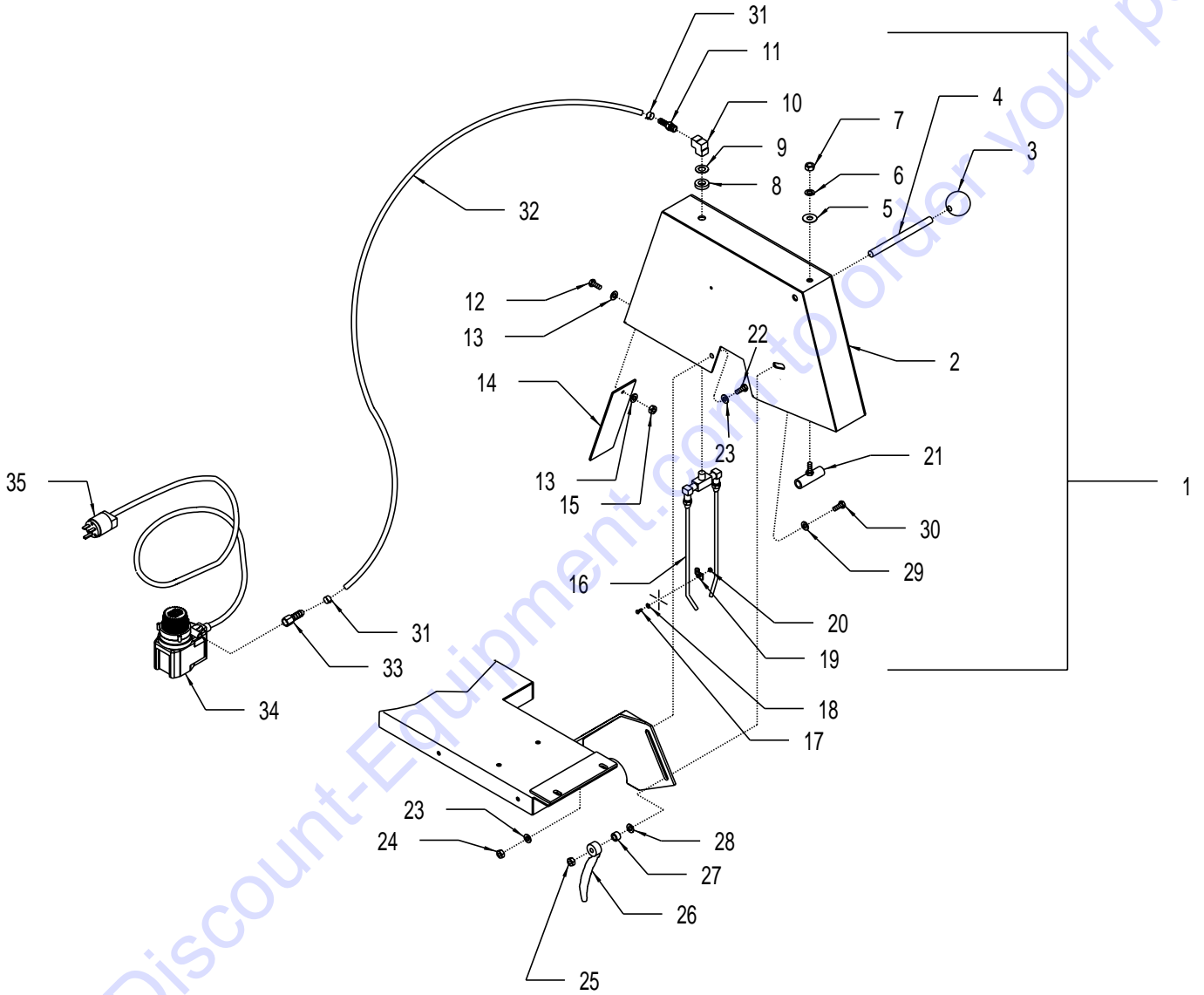
PARTS LISTING - ILLUSTRATION 1 : MAIN GROUPING			
ITEM#	PART#	DESCRIPTION	QTY.
1	41106	STAND & PAN ASSEMBLY	1
2	41002	SKID BOARD 2x4x 54"L	2
3	10364	BOLT, CARRIAGE 3/8-16x2 FULL THD.	4
4	10025	WASHER, FLAT 3/8	4
5	10811	WASHER, LOCK 3/8	4
6	10404	NUT 3/8-16	4
7	10004	NUT, LOCK 3/8-24	10
8	41003	RAIL, GUIDE	2
9	10011	SPACER, STEEL 5/8"ODx3/8"IDx3/8"THK	10
10	10025	WASHER, FLAT 3/8	20
11	10309	SCREW, CAP 3/8-24x1-1/4 PLATED	10
12	41101	TABLE COMPLETE, ROLLING (REFER TO ILLUS. 5 FOR BREAKDOWN)	1
13	40378	STOPPER ASSEMBLY 1-1/2"	1
14	10935	ROD END, MALE 3/4-16	2
15	10429	NUT, JAM 3/4-16	4
16	10609	WASHER, LOCK INT. TOOTH 3/4"	2
17	10404	NUT 3/8-16	4
18	10025	WASHER, FLAT 3/8	2
19	41107	ADJUSTER, HEAD	2
20	10009	WASHER, FLAT 3/4	2
21	41021	PLATE, PIVOT LOCK	1
22	10343	SCREW, CAP 1/2-20x2-1/2	1
23	10205	NUT, LOCK 1/2-20	1
24	10155	NUT, HEX NYLON LOCK 1/2-13	1
25	10312	WASHER, FLAT 1/2	6
26	79035	BUSHING, RUBBER 1-1/16"ODx5/8"ID	1
27	40358	NUT, TAIL HANDLE 1/2-13	1
28	41108	ROD, ALLTHREAD 1/2-13x7"L	1
29	10417	NUT 1/2-13	3
30	10045	WASHER, LOCK 1/2	1
31	40375	CURTAIN 15"x28" w/ LOGO	1
32	40377	CURTAIN ROD 1/2" DIA.x13"L	1
33	40376	HOOK, CURTAIN	3

ILLUSTRATION 2 : FOOT PEDAL & LINKAGE GROUPING



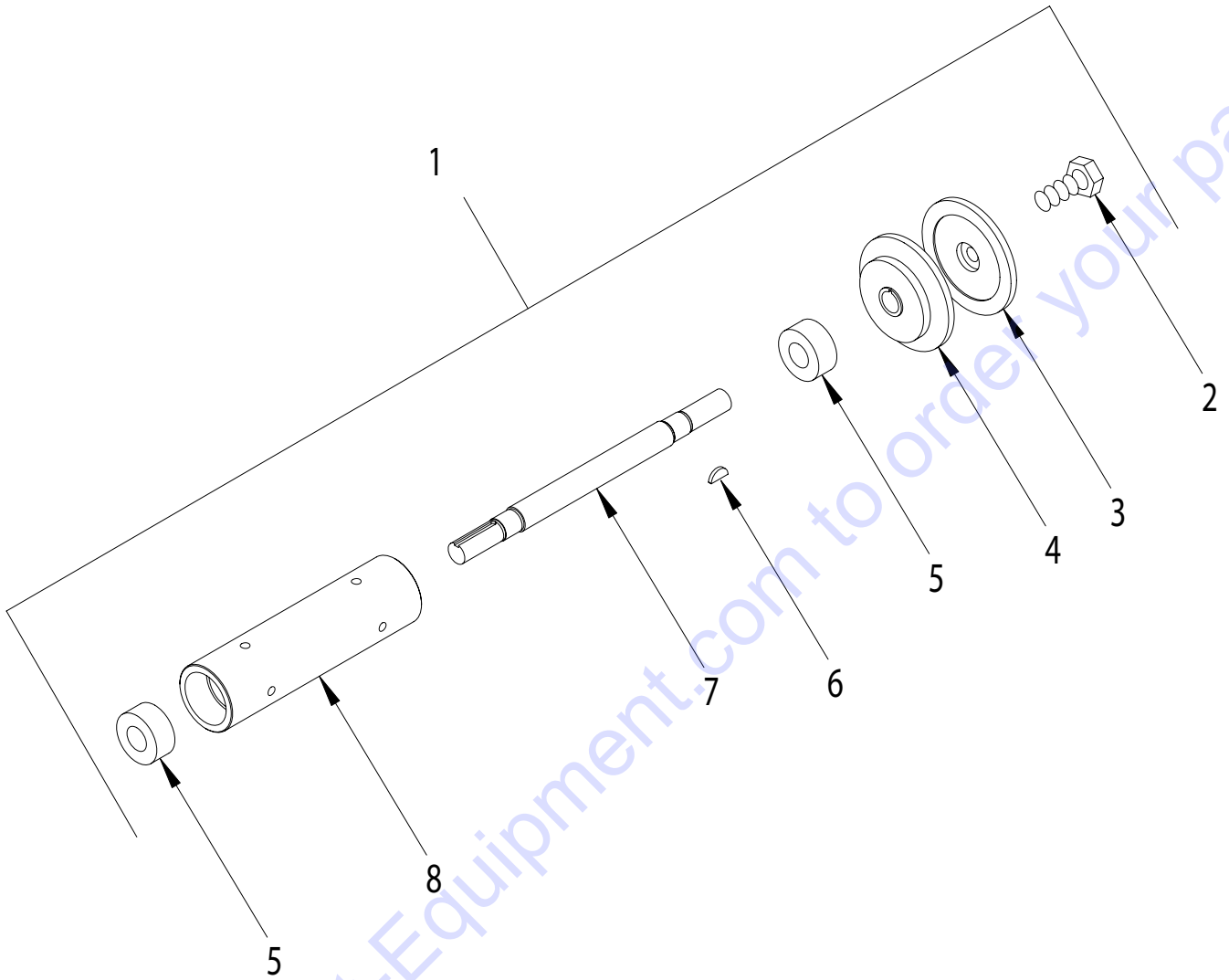
PARTS LISTING - ILLUSTRATION 2 : FOOT PEDAL & LINKAGE GROUPING			
ITEM#	PART#	DESCRIPTION	QTY.
1	41121	TREADLE (FOOT PEDAL)	1
2	41132	TREAD, ABRASIVE, FOOT PEDAL	1
3	10346	SCREW, SKT. HD. CAP 1/2-13x4-1/2 ZINC	1
4	41012	HANDWHEEL, SMALL w/ 5/8-8x15" ROD	1
5	10104	KNOB, BALL 1-7/8" w/ 1/2-13 THD., BLACK	1
6	80009	BEARING, BALL 5/8" 2-HOLE FLANGE	1
7	55010	SPACER, HANDWHEEL 5/8" ID x 3/4" L	1
8	10096	COLLAR, LOCKING 5/8" ID	1
9	10412	BOLT, CARRIAGE 1/4-20x1	2
10	10602	WASHER, FLAT 1/4	2
11	10861	NUT, KEPS 1/4-20	2
12	41060	BEARING, BALL 1" 2-HOLE SHEET METAL	4
13	10819	BOLT, CARRIAGE 5/16-18x1	8
14	10054	NUT 5/16-18	16
15	10801	WASHER, LOCK 5/16	8
16	10202	SCREW, CAP 1/2-20x3	1
17	10312	WASHER, FLAT 1/2	2
18	10205	NUT, LOCK 1/2-20	1
19	41014	LINKAGE, PIVOT	1
20	10312	WASHER, FLAT 1/2	12
21	10409	SCREW, CAP 1/2-20x4-1/2	2
22	10205	NUT, LOCK 1/2-20	2
23	41015	LINKAGE, CONNECTING	2
24	41013	LINKAGE, CUT CONTROL	1
25	10322	SCREW, CAP 1/2-20x2	1
26	10205	NUT, LOCK 1/2-20	1
27	41122	TREADLE, TRANSFER ARM	1
28	10810	NUT, LOCK 3/8-16	1
29	40044	NUT, TAIL HANDLE 3/8-16	1
30	10011	SPACER, STEEL 5/8" OD x 3/8" ID x 3/8" THK	1
31	10025	WASHER, FLAT 3/8	1
32	10845	BOLT, SPADE 3/8-16x4-1/8	1
33	41041	SPRING, EXT. 1.75" OD x 8" L	1
34	10843	BOLT, SPADE 3/8-16x1-5/8	1
35	10113	SPACER 9/16" OD x 3/8" ID x 7/32" THK	1
36	10811	WASHER, LOCK 3/8	1
37	10404	NUT 3/8-16	1
38	10308	SCREW, CAP 1/2-20x1-1/2	1
39	10205	NUT, LOCK 1/2-20	1
40	41019	LINKAGE, CLEVIS	1
41	10046	NUT 5/8-11	1
42	41018	LINKAGE, DRAG	1
43	10322	SCREW, CAP 1/2-20x2	1
44	10205	NUT, LOCK 1/2-20	1

ILLUSTRATION 3 : BLADE GUARD GROUPING



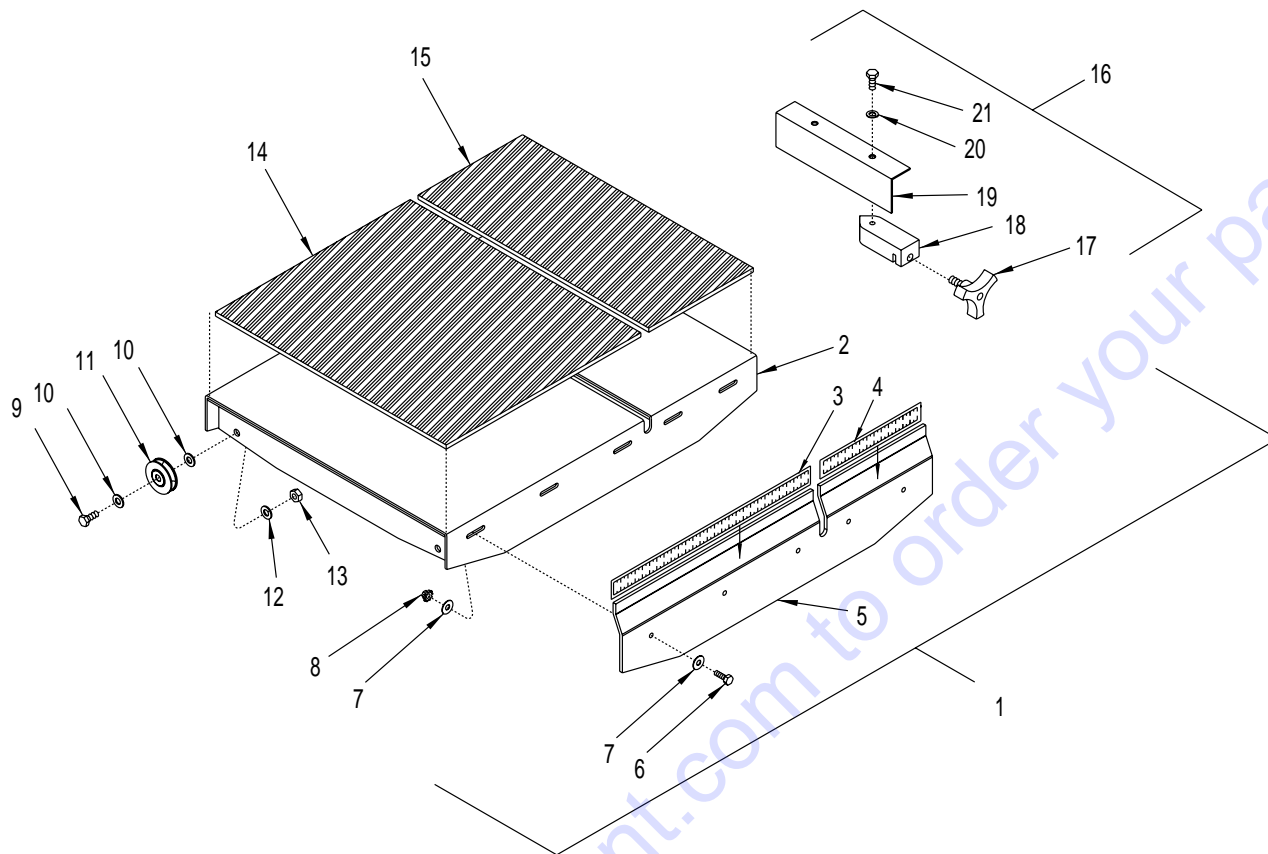
PARTS LISTING - ILLUSTRATION 3 : BLADE GUARD GROUPING			
ITEM#	PART#	DESCRIPTION	QTY.
1	41026G	GUARD, SUBASSY., BLADE 20" (INCLUDES ITEMS 2-21)	1
2	41026	GUARD, BLADE 20"	1
3	10104	KNOB, BALL 1-7/8 w/ 1/2-13 THD., BLACK	1
4	41027	SHAFT, HANDLE	1
5	10025	WASHER, FLAT 3/8	1
6	10811	WASHER, LOCK 3/8	1
7	10404	NUT 3/8-16	1
8	79035	BUSHING, RUBBER 1-1/16"ODx5/8"ID	1
9	10040	WASHER, GARRET 17/32"ID x 1"ODx.054THK	1
10	10707	ELBOW, FEMALE 1/4 NPT x 90 (BRASS)	1
11	50075	BARB, 3/8 HOSEx1/4 MPT	1
12	10018	SCREW, CAP 1/4-20x3/4	1
13	10602	WASHER, FLAT 1/4	2
14	41115	FLAP, SPLASH 2-1/2x8	1
15	10015	NUT, LOCK 1/4-20	1
16	41040	NOZZLE, COOLANT 1/4MPT W/ 10" TUBES	1
17	10830	SCREW, MACHINE 10-32x1/2	2
18	10831	WASHER, LOCK INT. TOOTH #10	2
19	61243	CLIP, COPPER 1/4"	2
20	10832	NUT 10-32	2
21	41028	LOCK, HANDLE	1
22	10309	SCREW, CAP 3/8-24x1-1/4 PLATED	1
23	10025	WASHER, FLAT 3/8	2
24	10004	NUT, LOCK 3/8-24	1
25	10810	NUT, LOCK 3/8-16	1
26	40044	NUT, TAIL HANDLE 3/8-16	1
27	10011	SPACER, STEEL 5/8"ODx3/8"IDx3/8"THK	1
28	10025	WASHER, FLAT 3/8	1
29	10040	WASHER, GARRET 17/32"ID x 1"ODx.054THK	1
30	10364	BOLT, CARRIAGE 3/8-16x2 FULL THD.	1
31	10763	CLAMP, HOSE SPRING-TYPE 7/16" RED	2
32	41116	HOSE 5/16"IDx50"L	1
33	10739	BARB, 5/16 HOSEx1/4 FPT	1
34	41117	PUMP, WATER, 230 VAC, G300 CV (SUBMERSIBLE)	1
35	41118	PLUG 15A/250V	1

ILLUSTRATION 4 : ARBOR ASSEMBLY GROUPING



ITEM #	PART#	DESCRIPTION	QTY.
1	41113	ARBOR ASSEMBLY COMPLETE (ITEMS 2-8)	1
2	10321	SCREW, CAP 1/2-20x1-1/4	1
3	40023	ARBOR, BLADE RETAINING CAP 4"	1
4	40022	ARBOR, BACKING PLATE 4"	1
5	40018	BEARING, RADIAL BALL 20x47x20.6mm	2
6	40036	KEY, WOODRUFF 1/8 x 3/8 (#403)	1
7	41025	ARBOR SHAFT 11-1/4"L	1
8	41024	ARBOR HOUSING	1

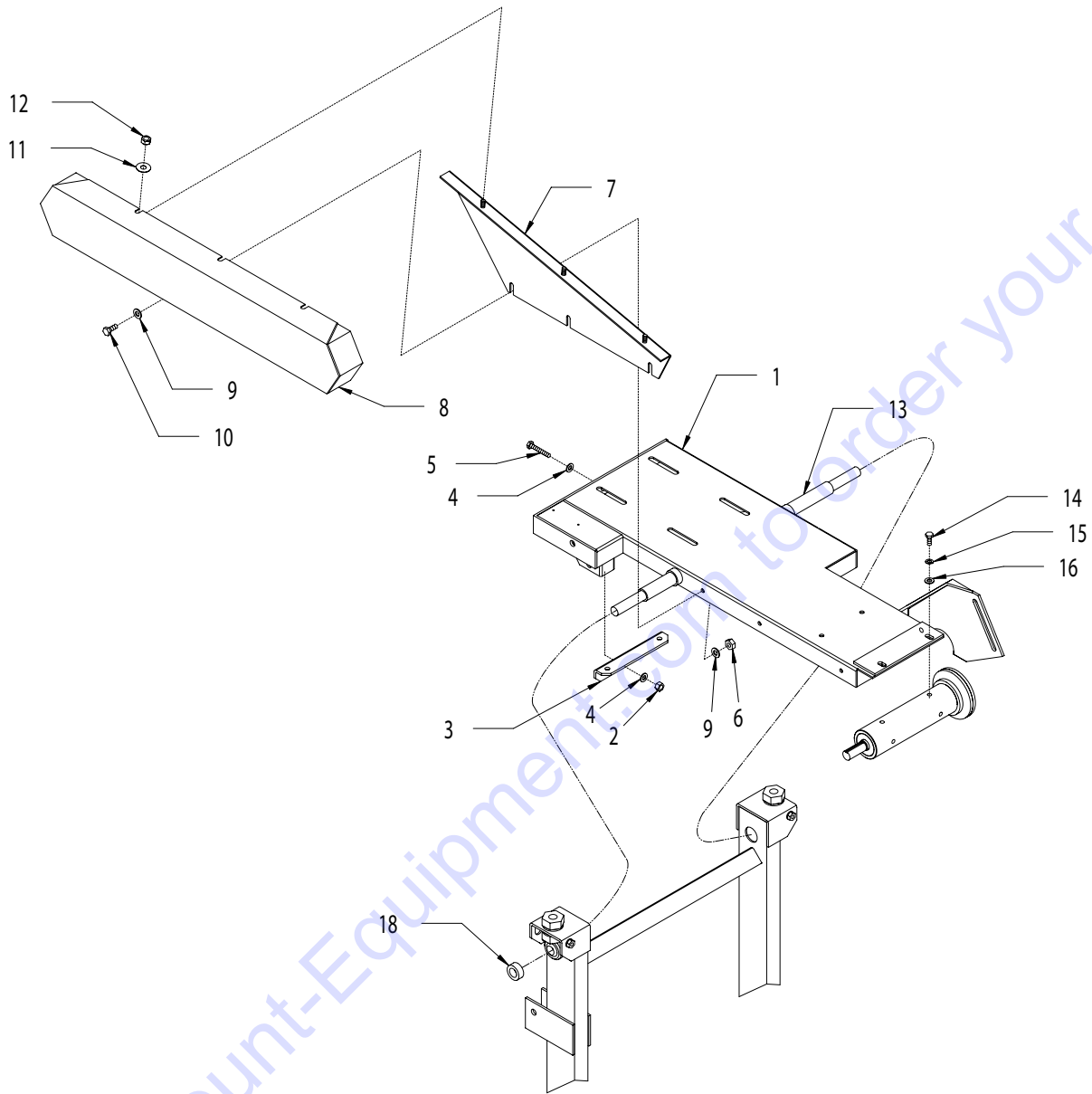
ILLUSTRATION 5 : ROLLING TABLE ASSEMBLY GROUPING



ITEM #	PART #	DESCRIPTION	QTY.
1	41101	TABLE COMPLETE, ROLLING (ITEMS 2-15)	1
2	41102	TABLE, ROLLING	1
3	40423	RULE, ADHESIVE BACKED, 1-13, R-L	1
4	40424	RULE, ADHESIVE BACKED, 1-7, L-R	1
5	41103	FRONT PANEL, ROLL TABLE	1
6	10018	SCREW, CAP 1/4-20X3/4	5
7	10602	WASHER, FLAT 1/4	10
8	10861	NUT, KEPS 1/4-20	5
9		SCREW, CAP	
	10309	3/8-24X1-1/4	2
	10816	3/8-24X1-1/2	2
10	10025	WASHER, FLAT 3/8	AS REQ'D.
11	3621	PULLEY BEARING 1-3/4DIA. X 3/8BORE (TRACK WHEEL)	4
12	10811	WASHER, LOCK 3/8	4
13	10014	NUT 3/8-24	4
14	41006	PAD 16X13-1/2	1
15	41007	PAD 16X7-1/4	1
16	41140	GUIDE SUBASSEMBLY, CUT (INCLUDES ITEMS 17-21)	1
17	40425	KNOB, 3-PRONG W/ 3/8-16X5/8 STUD	1
18	42015	BLOCK, CUT GUIDE	1
19	41104	BRACKET, CUT GUIDE	1
20	10801	WASHER, LOCK 5/16	1
21	10053	SCREW, CAP 5/16-18X3/4	1

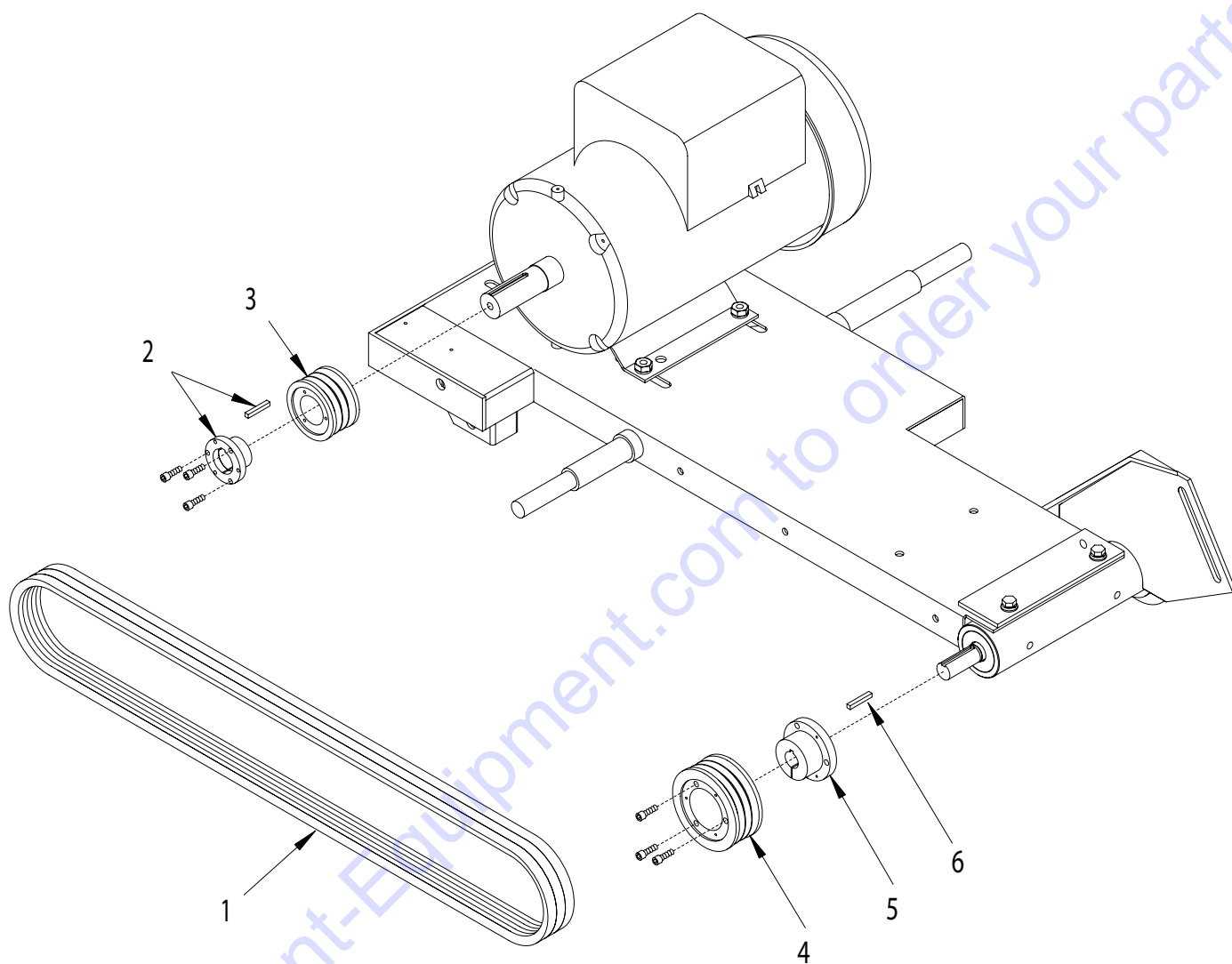


ILLUSTRATION 6 : MAIN DECK ASSEMBLY GROUPING



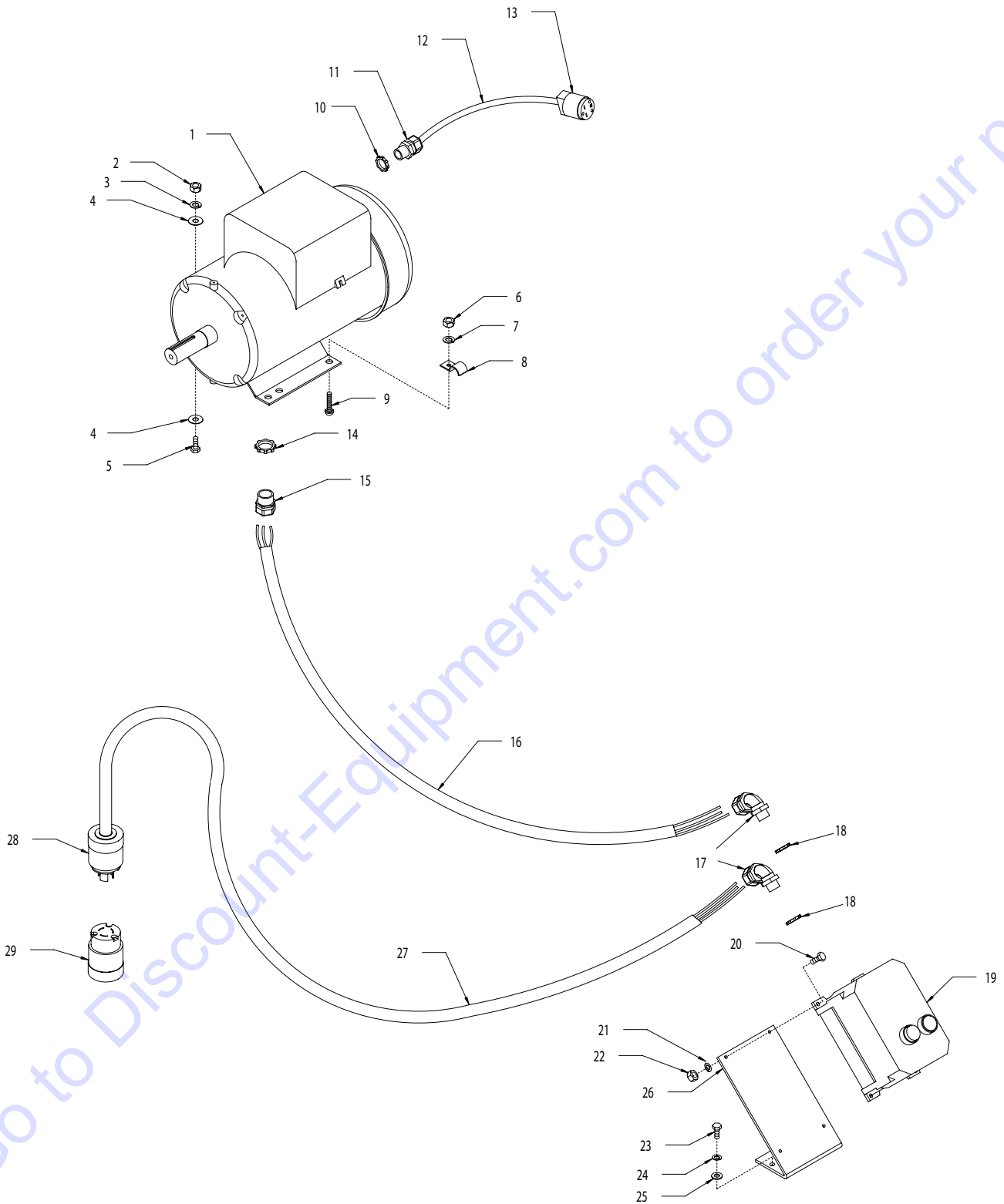
ITEM#	PART#	DESCRIPTION	QTY.	ITEM#	PART#	DESCRIPTION	QTY.
1	41112	DECK, MAIN	1	11	10602	WASHER, FLAT 1/4	3
2	10156	NUT, HEX NYLOCK 3/8-16, NE SERIES	1	12	10861	NUT, KEPS 1/4-20	3
3	41109	TENSIONER	1	13	41120	SHAFT, PIVOT	1
4	10025	WASHER, FLAT 3/8	2	14	10332	SCREW, CAP 5/16-24x1	4
5	28025	BOLT, TAP 3/8-16 X 3 (FULL THREAD)	1	15	10801	WASHER, LOCK 5/16	4
6	10807	NUT, LOCK 5/16-18	3	16	10213	WASHER, FLAT 5/16	4
7	41111	BRACKET, BELT COVER	1	17	41113	ARBOR ASSY. COMPLETE	1
8	41110	COVER, BELT	1	18	10428	COLLAR, LOCKING 3/4" ID	2
9	10213	WASHER, FLAT 5/16	6				
10	10053	SCREW, CAP 5/16-18x3/4	2				
	10806	SCREW, CAP 5/16-18x1	1				



ILLUSTRATION 7 : BELT DRIVE GROUPING


ITEM#	PART#	DESCRIPTION	QTY.
1	10257	BELT 3VX-630	3
2	10533	BUSHING, SHEAVE JAx1-1/8" BORE (INCLUDES KEY)	1
3	10534	SHEAVE 2.65"ODx3GR.3VxJA	1
4	10539	SHEAVE 3.65"OD X 3GR.3V X SH	1
5	10532	BUSHING, SHEAVE SH X 3/4"BORE	1
6	10060	KEY 3/16 SQ X 1-1/4	1

ILLUSTRATION 8 : POWER OPTION GROUPING



PARTS LISTING - ILLUSTRATION 8 : POWER OPTION GROUPING			
ITEM#	PART#	DESCRIPTION	QTY.
1		MOTOR, BALDOR	1
	81026	5HP-1 PHASE-60HZ-230V-3450 RPM	
	81022	5HP-3 PHASE-60HZ-230/460V-3450 RPM	
	16002	7.5HP-3 PHASE-60HZ-230/460V-3450 RPM	
2	10014	NUT 3/8-24	2
3	10811	WASHER, LOCK 3/8	2
4	10025	WASHER, FLAT 3/8	4
5	10309	SCREW, CAP 3/8-24x1-1/4	2
6	10404	NUT 3/8-16	2
7	10811	WASHER, LOCK 3/8	2
8	41124	CLAMP, CONDUIT 1/2" EMT (SNAP TRAP)	2
9	10802	BOLT, CARRIAGE 3/8-16x1	2
10	10790	CONDUIT LOCK NUT 1/2 NPT	1
11	40066	STRAIN RELIEF 1/2 NPTx.350-.450"	1
12	41129	WIRE HARNESS 16/3x15" LOA	1
13	41119	PLUG CONNECTOR 15A/250V	1
14	10740	CONDUIT LOCK NUT 3/4 NP	1
15	10959	STRAIN RELIEF 3/4 NPTx.550-.650"	1
16	41125	WIRE HARNESS 10/3x55", 1-PHASE	1
	41126	WIRE HARNESS 10/4x55", 3-PHASE	1
17	10984	CONN., LIQUID TITE 90D X 3/4NPT	2
18	10740	CONDUIT LOCK NUT 3/4 NPT	2
19		STARTER, LOVATO	1
	16410	11-M1-BRF-P30-26-23060 (5HP, 1-PH, 230V MOTORS)	
	16408	11-M1-BRF-P14-15-46060 (7.5HP, 3-PH, 460V MOTORS)	
	16406	11-M1-BRF-P14-10-46060 (5HP, 3-PH, 460V MOTORS)	
	16405	11-M1-BRF-P23-23-23060 (5HP, 3-PH, 230V MOTORS)	
20	10362	SCREW, MACHINE 8-32x3/4	4
21	10461	WASHER, LOCK INT. TOOTH #8	4
22	10462	NUT 8-32	4
23	10053	SCREW, CAP 5/16-18x3/4	2
24	10801	WASHER, LOCK 5/16	2
25	10213	WASHER, FLAT 5/16	2
26	41134	MOUNT, LOVATO STARTER	1
27	41127	WIRE HARNESS 10/3x50", 1-PHASE	1
	41128	WIRE HARNESS 10/4x50", 3-PHASE	
*28	40037	PLUG, LOCKING 20A/250V	1
*29	40000	PLUG CONNECTOR, LOCKING 20A/250V	1
*NOTE: PLUG AND CONNECTOR (ITEMS 28 & 29) ARE NOT INCLUDED WITH THREE PHASE UNITS			

PARTS FINDER

**Search Website
by Part Number**



**Search Manual
Library For Parts
Manual & Lookup Part
Numbers – Purchase
or Request Quote**

Search Manuals

Enter your information to help us find the right parts manual for your machine.

* Brand:

* Model:

* Serial:

* Part Number:

SEARCH

**Can't Find Part or
Manual? Request Help
by Manufacturer,
Model & Description**

Parts Order Form

Please fill in the following information to help us find the right part for your machine.

Manufacturer:	<input type="text"/>
Model:	<input type="text"/>
Description:	<input type="text"/>
Part Number:	<input type="text"/>
Quantity:	<input type="text"/>
Notes:	<input type="text"/>

Submit

Discount-Equipment.com is your online resource for quality parts & equipment.

Florida: **561-964-4949** Outside Florida TOLL FREE: **877-690-3101**

Need parts?

Click on this link: <http://www.discount-equipment.com/category/5443-parts/> and choose one of the options to help get the right parts and equipment you are looking for. Please have the machine model and serial number available in order to help us get you the correct parts. If you don't find the part on the website or on one of the online manuals, please fill out the request form and one of our experienced staff members will get back to you with a quote for the right part that your machine needs.

We sell worldwide for the brands: Genie, Terex, JLG, MultiQuip, Mikasa, Essick, Whiteman, Mayco, Toro Stone, Diamond Products, Generac Magnum, Airman, Haulotte, Barreto, Power Blanket, Nifty Lift, Atlas Copco, Chicago Pneumatic, Allmand, Miller Curber, Skyjack, Lull, Skytrak, Tsurumi, Husquvarna Target, Stow, Wacker, Sakai, Mi-T-M, Sullair, Basic, Dynapac, MBW, Weber, Bartell, Bennar Newman, Haulotte, Ditch Runner, Menegotti, Morrison, Contec, Buddy, Crown, Edco, Wyco, Bomag, Laymor, EZ Trench, Bil-Jax, F.S. Curtis, Gehl Pavers, Heli, Honda, ICS/PowerGrit, IHI, Partner, Imer, Clipper, MMD, Koshin, Rice, CH&E, General Equipment, Amida, Coleman, NAC, Gradall, Square Shooter, Kent, Stanley, Tamco, Toku, Hatz, Kohler, Robin, Wisconsin, Northrock, Oztec, Toker TK, Rol-Air, APT, Wylie, Ingersoll Rand / Doosan, Innovatech, Con X, Ammann, Mecalac, Makinex, Smith Surface Prep, Small Line, Wanco, Yanmar