

ANSI A92.20 Articulating Boom Lifts



Standard Configurations

- Overload Sensor and Alarm
- Tilt/Slope Sensors and Alarm
- Self-closing Gate
- Lanyard Points
- Descent Protection and Alarm
- Full Height Drive
- Intelligent Diagnostic System
- AC Platform Power (GFCI)
- Proportional Control
- Wind Rating Stickers

**Discount
Equipment**

www.Discount-Equipment.com

LGMG North America Inc.

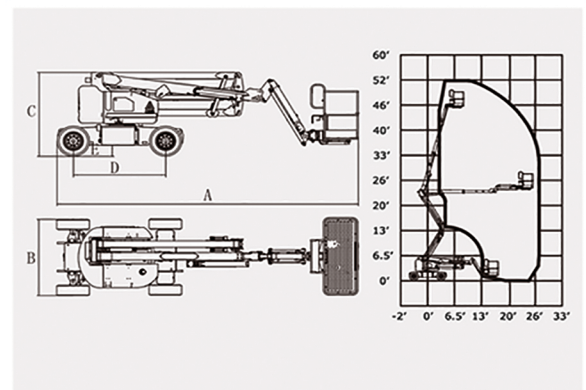
ELECTRIC MOTOR DRIVE

A45JE Articulating Boom Lift (Indoor/Outdoor)

- A DC electric driving system on the A45JE enables use in quiet and zero-emission operation areas, but will also be available as diesel motor drive
- Compact design with zero tail swing and a tight turning radius enables easy access to narrow aisles and restrictive jobsites
- Proportional control ensures precise positioning and smooth driving
- Simultaneous multi-functions improve operational flexibility

Product Specifications	A45JE
Platform Capacity	510 lbs
Platform Occupants (Indoor/Outdoor)	2/2
Platform Height (Full Extension)	45'
Horizontal Outreach	25' 7"
Up and Over Height	23' 10"
Machine Length	21' 10"
Machine Width	5' 11"
Machine Height (Stowed)	6' 6"
Wheelbase	6' 8"
Ground Clearance - Center	10"
Ground Clearance - Lowest Point	7.5"
Platform Size	71" x 31"
Platform Rotator	160°
Drive Speed (Lowered)	3 Mph
Drive Speed (Elevated Max Height)	0.6 Mph
Drive Mode	4x2
Gradeability (2WD)	30%
Amp Hours	(8) 6V x 390Ah
Tire Size	250-15
Turntable Type	Non-Continuous
Turning Radius (Inside)	6'
Turning Radius (Outside)	14' 6"
Machine Weight	16,535 lbs

ANSI A92.20 Compliant



LGMG North America Inc.

**Discount
Equipment**

www.Discount-Equipment.com