



REVISED STARTING
SERIAL # 130110169

PARTS LIST MANUAL

MODEL C-10



8" CRACK CHASING SAWS

SKU #	MODEL #	POWER OPTION
49100	C10-9H	HONDA GASOLINE ENGINE MODEL GX270
49500	C10-11H	HONDA GASOLINE ENGINE MODEL GX340
49600	C10-13H	HONDA GASOLINE ENGINE MODEL GX390
49700	C10-5/230/1	BALDOR ELECTRIC MOTOR 5HP 1-PHASE 60Hz 230V
49400-230	C10-5B/230/3	BALDOR ELECTRIC MOTOR 5HP 3-PHASE 60Hz 230V
49400-460	C10-5B/460/3	BALDOR ELECTRIC MOTOR 5HP 3-PHASE 60Hz 460V



A Division of Equipment Development Company, Inc.

PARTS FINDER

**Search Website
by Part Number**



**Search Manual
Library For Parts
Manual & Lookup Part
Numbers – Purchase
or Request Quote**

Search Manuals

Enter your information to help us find the right parts manual for your machine.

* Brand:

* Model:

* Serial:

* Part Number:

SEARCH

**Can't Find Part or
Manual? Request Help
by Manufacturer,
Model & Description**

Parts Order Form

Please fill in the following information to help us find the right part for your machine.

Manufacturer:	<input type="text"/>
Model:	<input type="text"/>
Description:	<input type="text"/>
Part Number:	<input type="text"/>
Quantity:	<input type="text"/>
Notes:	<input type="text"/>

Discount-Equipment.com is your online resource for quality parts & equipment.

Florida: **561-964-4949** Outside Florida TOLL FREE: **877-690-3101**

Need parts?

Click on this link: <http://www.discount-equipment.com/category/5443-parts/> and choose one of the options to help get the right parts and equipment you are looking for. Please have the machine model and serial number available in order to help us get you the correct parts. If you don't find the part on the website or on one of the online manuals, please fill out the request form and one of our experienced staff members will get back to you with a quote for the right part that your machine needs.

We sell worldwide for the brands: Genie, Terex, JLG, MultiQuip, Mikasa, Essick, Whiteman, Mayco, Toro Stone, Diamond Products, Generac Magnum, Airman, Haulotte, Barreto, Power Blanket, Nifty Lift, Atlas Copco, Chicago Pneumatic, Allmand, Miller Curber, Skyjack, Lull, Skytrak, Tsurumi, Husquvarna Target, Stow, Wacker, Sakai, Mi-T-M, Sullair, Basic, Dynapac, MBW, Weber, Bartell, Bennar Newman, Haulotte, Ditch Runner, Menegotti, Morrison, Contec, Buddy, Crown, Edco, Wyco, Bomag, Laymor, EZ Trench, Bil-Jax, F.S. Curtis, Gehl Pavers, Heli, Honda, ICS/PowerGrit, IHI, Partner, Imer, Clipper, MMD, Koshin, Rice, CH&E, General Equipment, Amida, Coleman, NAC, Gradall, Square Shooter, Kent, Stanley, Tamco, Toku, Hatz, Kohler, Robin, Wisconsin, Northrock, Oztec, Toker TK, Rol-Air, APT, Wylie, Ingersoll Rand / Doosan, Innovatech, Con X, Ammann, Mecalac, Makinex, Smith Surface Prep, Small Line, Wanco, Yanmar

READ AND UNDERSTAND THE OPERATORS INSTRUCTION MANUAL THOROUGHLY BEFORE ATTEMPTING TO OPERATE THIS EQUIPMENT.



Death or serious injury could occur if this machine is used improperly.



SAFETY MESSAGES

- Safety Instructions are preceded by a graphic alert symbol of DANGER, WARNING, or CAUTION.



Indicates an imminent hazard which, if not avoided, will result in death or serious injury.



Indicates an imminent hazard which, if not avoided, can result in death or serious injury.



Indicates hazards which, if not avoided, could result in serious injury and or damage to the equipment.

GASOLINE/PROPANE POWERED EQUIPMENT



• Engine exhaust from this product contains chemicals known to the State of California to cause cancer, birth defects or other reproductive harm.



Gasoline is extremely flammable and poisonous. It should only be dispensed in well ventilated areas, and with a cool engine.

- Small gasoline engines produce high concentrations of carbon monoxide (CO) example: a 5 HP 4 cycle engine operation in an enclosed 100,000 cu. ft. area with only one change of air per hour is capable of providing deadly concentrations of CO in less than fifteen minutes. Five changes of air in the same area will produce noxious fumes in less than 30 minutes. Gasoline or propane powered equipment should not be used in enclosed or partially enclosed areas. Symptoms of CO poisoning include, headache, nausea, weakness, dizziness, visual problems and loss of consciousness. If symptoms occur - get into fresh air and seek medical attention immediately.

ELECTRICAL POWERED EQUIPMENT



Extreme care must be taken when operating electric models with water present: Ensure power cord is properly grounded, is attached to a Ground-Fault-Interrupter (GFI) outlet, and is undamaged.

- Check all electrical cables - be sure connections are tight and cable is continuous and in good condition. Be sure cable is correctly rated for both the operating current and voltage of this equipment.
- Improper connection of the equipment-grounding conductor can result in a risk of electric shock. Check with qualified electrician or service person if there is any doubt as to whether the outlet is properly grounded. Adhere to all local codes and ordinances.
- **NOTE:** In the event of a malfunction or breakdown, grounding provides a path of least resistance for the electric current to dissipate. The motor is equipped with a grounded plug and must be connected to an outlet that is properly installed and properly grounded. DO NOT modify the plug provided on the motor. If the plug does not fit the outlet have a qualified electrician install the proper receptacle.
- Switch motor OFF **before** disconnecting power.

- Do not disconnect power by pulling cord. To disconnect, grasp the plug, not the cord.
- Unplug power cord at the machine when not in use and before servicing.

GENERAL INSTRUCTIONS

- Equipment should only be operated by trained personnel in good physical condition and mental health (not fatigued). The operator and maintenance personnel must be physically able to handle the bulk weight and power of this equipment.
- This is a one person tool. Maintain a **safe operating distance** to other personnel. It is the **operators' responsibility** to keep other people (workers, pedestrians, bystanders, etc.) away during operation. Block off the work area in all directions with roping, safety netting, etc. for a **safe distance**. Failure to do so may result in others being injured by flying debris or exposing them to harmful dust and noise.
- This equipment is intended for commercial use only.
- For the operator's safety and the safety of others, always keep all guards in place during operation.
- Never let equipment run unattended.



- Personal Protection Equipment and proper safety attire must be worn when operating this machinery. The operator must wear approved safety equipment appropriate for the job such as hard hat and safety shoes when conditions require. Hearing protection **MUST** be used (operational noise levels of this equipment may exceed 85 dBA). Eye protection **MUST** be worn at all times.



Keep body parts and loose clothing away from moving parts. Failure to do so could result in dismemberment or death.

- Do not modify the machine.
 - Stop motor/engine when adjusting or servicing this equipment.
- Maintain a safe operating distance from flammable materials. Sparks from the cutting-action of this machine can ignite flammable materials or vapors.

DUST WARNING



Some dust created by power sanding, sawing, grinding, drilling, and other construction activities contains chemicals known to cause cancer, birth defects, or other reproductive harm. Some examples of these chemicals are:

- Lead from lead-based paints, and
 - Crystalline silica from bricks and concrete and other masonry products.
- Your risk of exposure to these chemicals varies depending on how often you do this type of work. To reduce your risk: work in a well ventilated area, use a dust control system, such as an industrial-style vacuum, and wear approved personal safety equipment, such as a dust/particle respirator designed to filter out microscopic particles.

PARTS LIST MANUAL

MODEL C-10

8" CRACK CHASING SAW

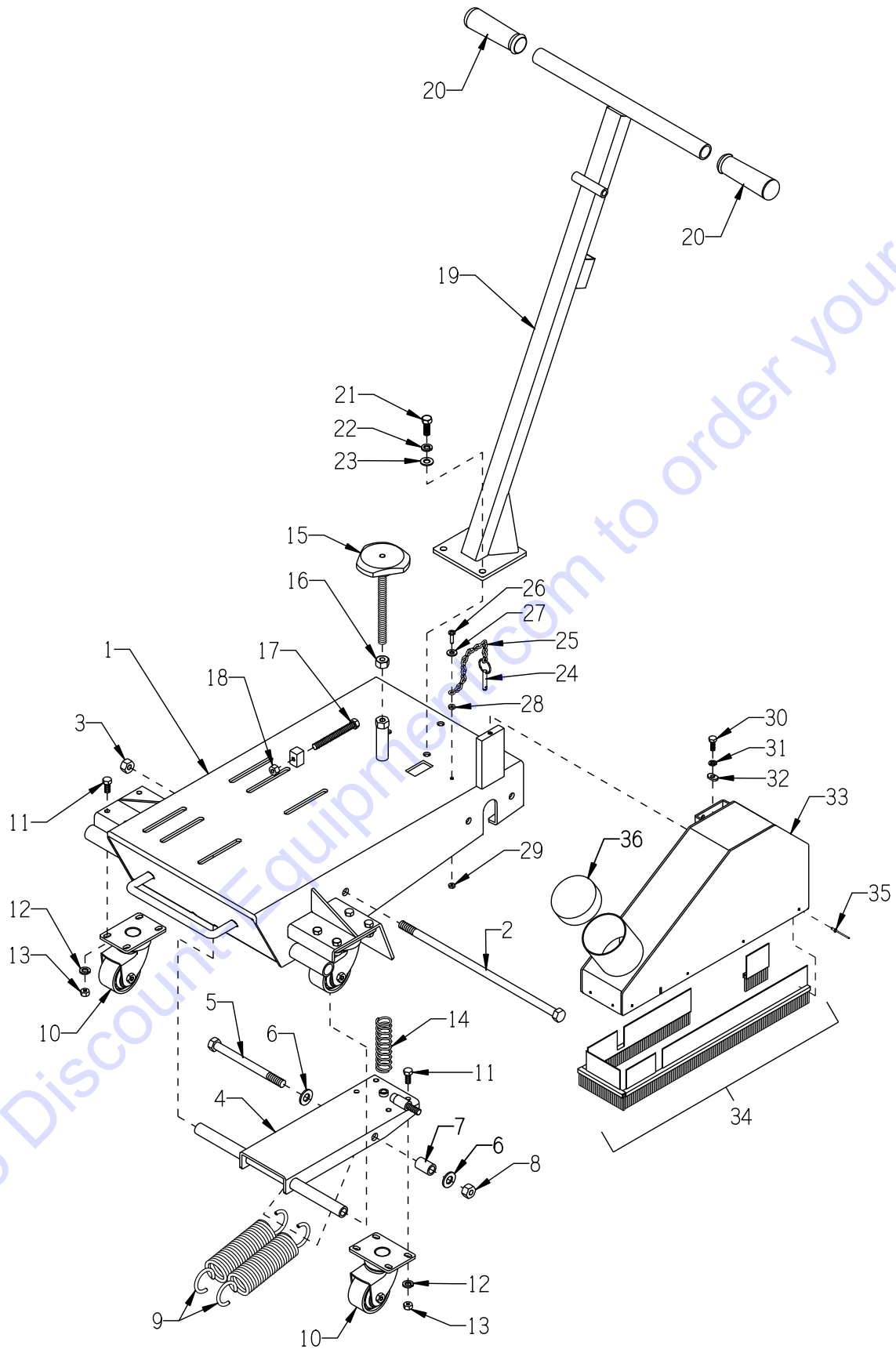
TABLE OF CONTENTS

<u>Section</u>	<u>Page Number</u>
Safety Messages and General Instructions	2
How To Order Replacement Parts	3
Illustration 1: Main Grouping	4, 5
Illustration 2: Lever & Linkage Grouping	6, 7
Illustration 3: Arbor Assembly	8, 9
Illustration 4: Engine & Belt Drive Grouping	10, 11
Illustration 5: Single-Phase Motor & Belt Drive Grouping	12, 13
Illustration 6: Three-Phase Motor & Belt Drive Grouping	14, 15
Wiring Diagram for Rotary Cam Switch	16
Wiring Diagram for Starter	17
Wiring Diagram for 1-Phase 60Hz Motor	18
Wiring Diagram for 3-Phase 60Hz Motor	19
Illustration 7: Optional Wheel Kit	20
Notes:	21
Decal Sheet	22
Decals Continued	23
Limited Equipment Warranty of Sale - Terms & Conditions	24 (Back Page)



A Division of Equipment Development Company, Inc.

ILLUSTRATION 1: MAIN GROUPING



Go to DiscountEquipment.com to order your parts

PARTS LISTING - ILLUSTRATION 1 : MAIN GROUPING

ITEM #	PART #	DESCRIPTION	QTY.
1	49001	MAIN FRAME, C-10	1
2	52014	SCREW, HEX HD CAP 1/2-13 X 14	1
3	10407	NUT, HEX LOCK 1/2-13 ZINC	1
4	49002	FORK, C-10	1
5	10329	SCREW, CAP 1/2-20 X 6	1
6	10312	WASHER, FLAT 1/2 SAE ZINC	2
7	40312	SPACER, STEEL 1/2"ID X 1-1/8"L	1
8	10205	NUT, HEX LOCK 1/2-20 ZINC	1
9	41041	SPRING, EXT. 1.75"OD X 8"L	2
10	49003	CASTER, SWIVEL 2-1/2 X 1-1/4, C-10	3
11	10053	SCREW, CAP 5/16-18 X 3/4	12
12	10213	WASHER, FLAT 5/16 SAE ZINC	12
13	10807	NUT, HEX LOCK 5/16-18 ZINC	12
14	10922	SPRING, COMP. 1"OD X 3.75"FL	1
15	49014	KNOB, CONTROL W/ 1/2-13 X 6-3/4"ROD	1
16	10417	NUT, HEX 1/2-13 ZINC	1
17	52015	BOLT, TAP 3/8-16 X 3-1/2(FULL THD.)	1
18	10404	NUT, HEX 3/8-16 ZINC	1
19	49008	HANDLE BAR, C-10	1
20	10608	GRIP, HAND 1" MODEL AT	2
21	10055	SCREW, CAP 3/8-16 X 1	3
22	10811	WASHER, LOCK 3/8 ZINC	3
23	10025	WASHER, FLAT 3/8 SAE ZINC	3
24	49016	PIN, DETENT RING 1/4 X 1 E.L.	1
25	49029	CHAIN FOR DETENT PIN 7" (9 LINKS)	1
26	10833	SCREW, MACHINE 10-32 X 3/4	1
27	10850	WASHER, FLAT #10 SAE ZINC	1
28	10460	NUT, HEX 10-32 ZINC	1
29	10832	NUT, KEPS LOCK 10-32 ZINC	1
30	10018	SCREW, CAP 1/4-20 X 3/4	1
31	10038	WASHER, LOCK 1/4 ZINC	1
32	49013	TAB, BLADE GUARD STOP, C-10	1
33	49011	GUARD, BLADE, C-10 (ONE 3" VACUUM PORT)	1
34	49012	BRUSH SEAL SET, C-10 (SET OF 4 BRUSHES: 16-9/16", 9-9/16", 4" & 2")	1
35	10128	RIVET, BLIND 1/8 X .275L X .250HD	11
36	64030	CAP, END 3" BLUE PLASTIC	1



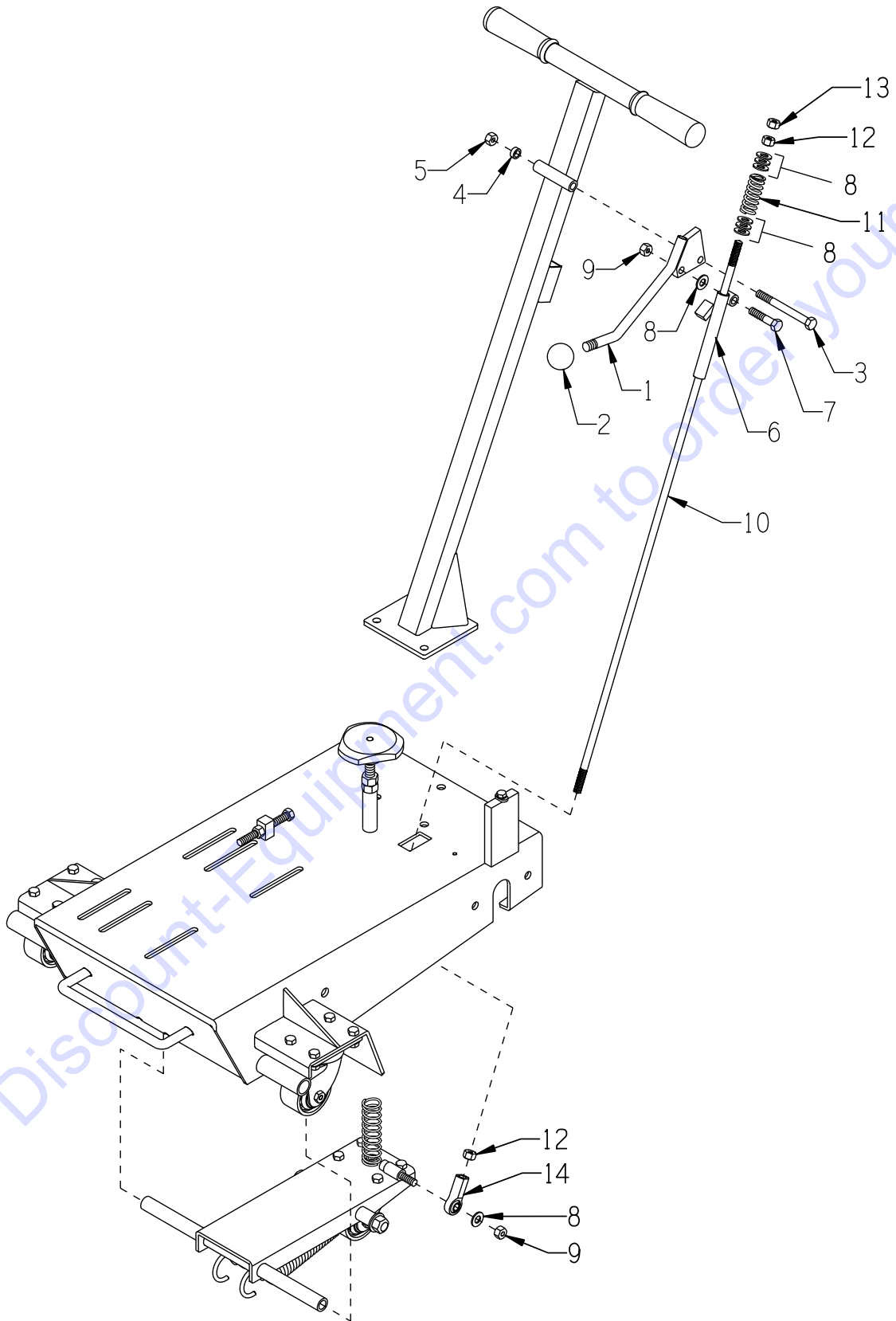
A Division of Equipment Development Company, Inc.

Printed in USA

JWA ©2013

Page 5

ILLUSTRATION 2: LEVER & LINKAGE GROUPING



PARTS LISTING - ILLUSTRATION 2: LEVER & LINKAGE GROUPING

ITEM #	PART #	DESCRIPTION	QTY.
1	49007	LEVER, DISENGAGE, C-10	1
2	14023	KNOB, BALL 1-3/8 W/ 1/2-13THD, BLK.	1
3	10318	SCREW, CAP 3/8-16 X 3-3/4	1
4	10113	SPACER, STEEL 9/16OD X 3/8ID X 7/32	1
5	10156	NUT, HEX NYLON LOCK 3/8-16 ZINC	1
6	49005	LINKAGE SUPPORT, UPPER, C-10	1
7	10029	SCREW, CAP 3/8-24 X 1-3/4	1
8	10025	WASHER, FLAT 3/8 SAE ZINC (* QTY. MAY VARY)	8*
9	10156	NUT, HEX NYLON LOCK 3/8-16 ZINC	2
10	49004	LINKAGE, DISENGAGE 3/8 X 31-1/2"L	1
11	51035	SPRING, COMP. .828"OD X 2"FL	1
12	10014	NUT, HEX 3/8-24 ZINC	2
13	10058	NUT, HEX LOCK 3/8-24 W/ NYLON PATCH	1
14	10919	ROD END, FEMALE 3/8-24 R.H. THREAD	1



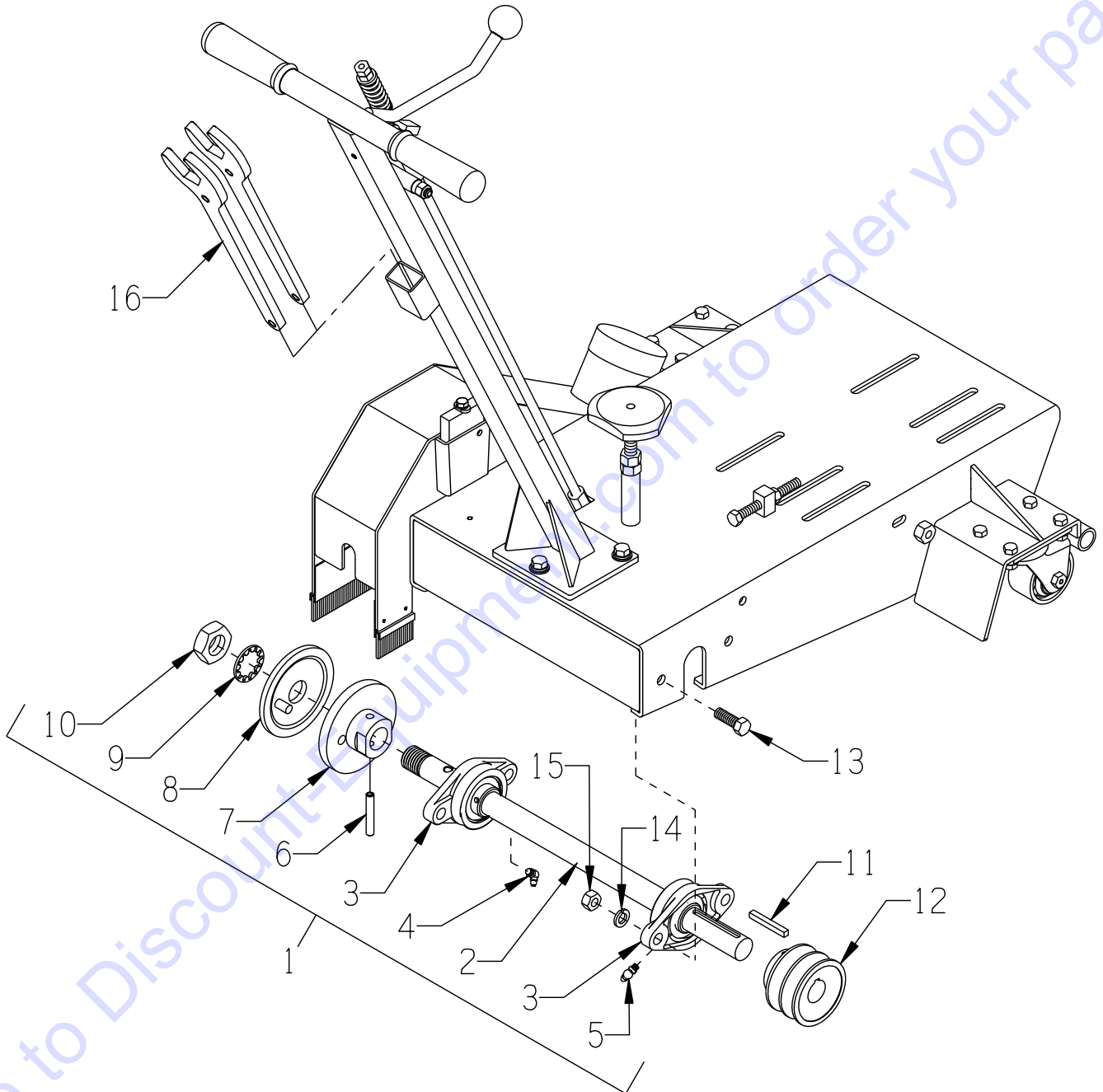
A Division of Equipment Development Company, Inc.

Printed in USA

JWA ©2013

Page 7

ILLUSTRATION 3: ARBOR ASSEMBLY



PARTS LISTING - ILLUSTRATION 3: ARBOR ASSEMBLY

ITEM #	PART #	DESCRIPTION	QTY.
1	69050A	ARBOR ASSY. COMPLETE (INCLUDES ITEMS 2 THRU 10)	1
2	69050	ARBOR SHAFT 19-1/4"L	1
3	62022	BEARING, BALL 1" 2-HOLE FLANGE	2
4	10961	FITTING, GREASE 1/4-28 X 90°	1
5	10960	FITTING, GREASE 1/4-28 X 45°	1
6	10211	PIN, ROLL 5/16 X 2	1
7	56026	ARBOR BACKING PLATE 4"	1
8	56025	ARBOR BLADE CAP 4"OD W/1"HOLE	1
9	55009	WASHER, LOCK, INT. TOOTH 1"	1
10	50019	NUT, HEX JAM 1-14 ZINC GRADE A	1
11	10115	KEY 1/4SQ X 2	1
12	79024	SHEAVE 3"OD X 2GR.B X 1"BORE	1
13	10003	SCREW, CAP 7/16-20 X 1-1/4 ZINC	4
14	10450	WASHER, LOCK 7/16 ZINC	4
15	10481	NUT, HEX 7/16-20 ZINC	4
16	50445	WRENCH, ARBOR, 1-1/2" OPEN END	2



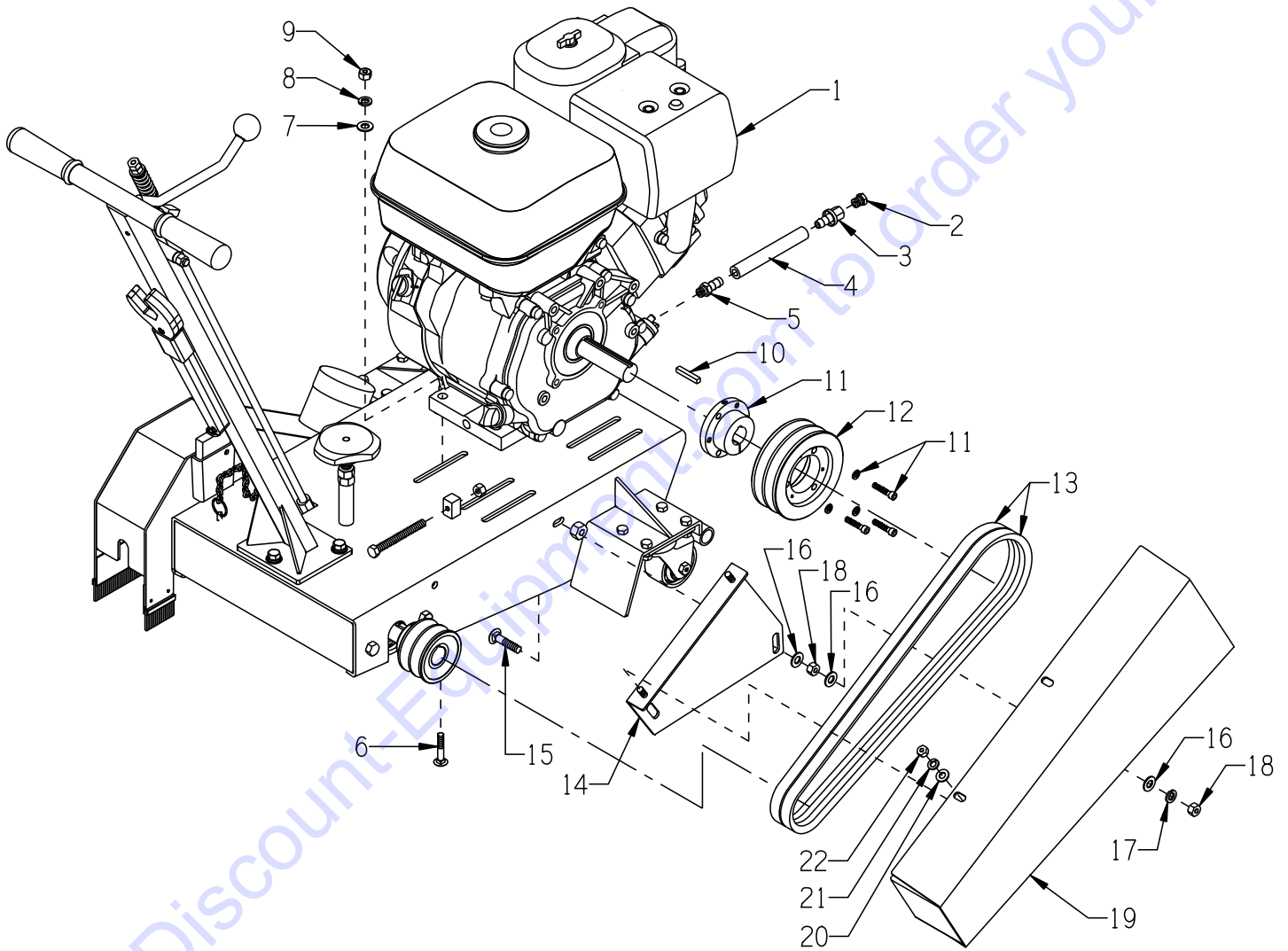
A Division of Equipment Development Company, Inc.

Printed in USA

JWA ©2013

Page 9

ILLUSTRATION 4: ENGINE & BELT DRIVE GROUPING



PARTS FINDER

**Search Website
by Part Number**



**Search Manual
Library For Parts
Manual & Lookup Part
Numbers – Purchase
or Request Quote**

Search Manuals

Enter your information to help us find the right parts manual for your machine.

* Brand:

* Model:

* Serial:

* Part Number:

SEARCH

**Can't Find Part or
Manual? Request Help
by Manufacturer,
Model & Description**

Parts Order Form

Please fill in the following information to help us find the right part for your machine.

Manufacturer:	<input type="text"/>
Model:	<input type="text"/>
Description:	<input type="text"/>
Part Number:	<input type="text"/>
Quantity:	<input type="text"/>
Notes:	<input type="text"/>

Discount-Equipment.com is your online resource for quality parts & equipment.

Florida: **561-964-4949** Outside Florida TOLL FREE: **877-690-3101**

Need parts?

Click on this link: <http://www.discount-equipment.com/category/5443-parts/> and choose one of the options to help get the right parts and equipment you are looking for. Please have the machine model and serial number available in order to help us get you the correct parts. If you don't find the part on the website or on one of the online manuals, please fill out the request form and one of our experienced staff members will get back to you with a quote for the right part that your machine needs.

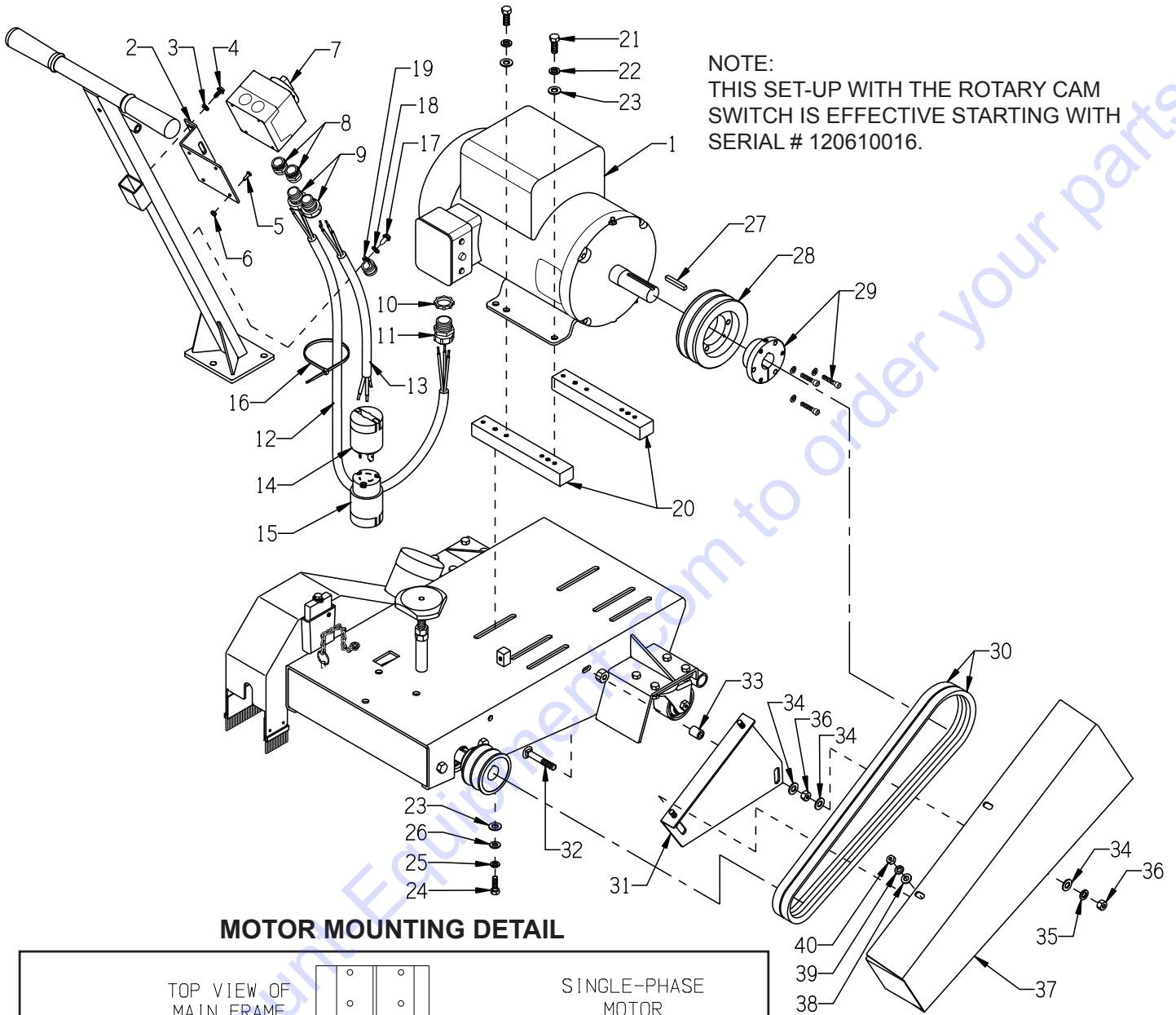
We sell worldwide for the brands: Genie, Terex, JLG, MultiQuip, Mikasa, Essick, Whiteman, Mayco, Toro Stone, Diamond Products, Generac Magnum, Airman, Haulotte, Barreto, Power Blanket, Nifty Lift, Atlas Copco, Chicago Pneumatic, Allmand, Miller Curber, Skyjack, Lull, Skytrak, Tsurumi, Husquvarna Target, Stow, Wacker, Sakai, Mi-T-M, Sullair, Basic, Dynapac, MBW, Weber, Bartell, Bennar Newman, Haulotte, Ditch Runner, Menegotti, Morrison, Contec, Buddy, Crown, Edco, Wyco, Bomag, Laymor, EZ Trench, Bil-Jax, F.S. Curtis, Gehl Pavers, Heli, Honda, ICS/PowerGrit, IHI, Partner, Imer, Clipper, MMD, Koshin, Rice, CH&E, General Equipment, Amida, Coleman, NAC, Gradall, Square Shooter, Kent, Stanley, Tamco, Toku, Hatz, Kohler, Robin, Wisconsin, Northrock, Oztec, Toker TK, Rol-Air, APT, Wylie, Ingersoll Rand / Doosan, Innovatech, Con X, Ammann, Mecalac, Makinex, Smith Surface Prep, Small Line, Wanco, Yanmar

PARTS LISTING - ILLUSTRATION 4: ENGINE & BELT DRIVE GROUPING

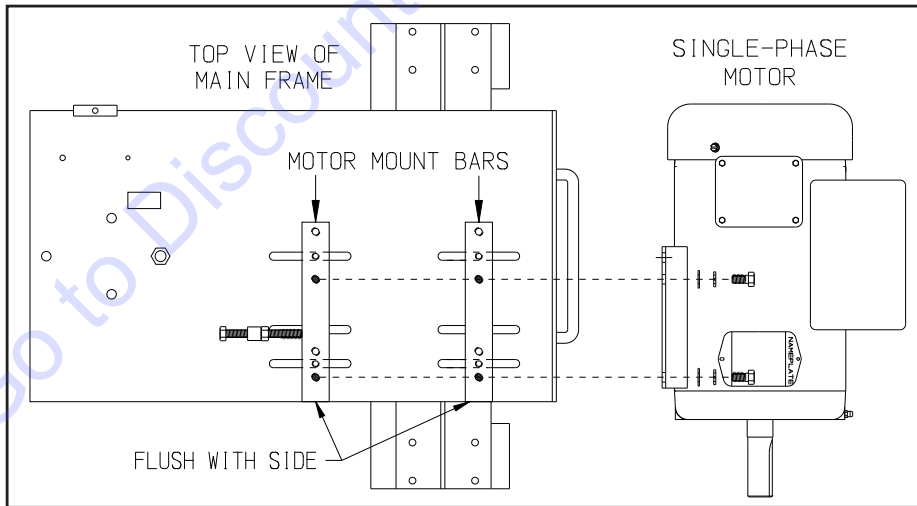
ITEM #	PART #	DESCRIPTION	QTY.
1	15027 79045 15029	ENGINE: HONDA GX270-QXC9 W/ CYCLONE AIR CLEANER HONDA GX340-QXC9 W/ CYCLONE AIR CLEANER HONDA GX390-QXC9 W/ CYCLONE AIR CLEANER	1
2	10776	PIPE PLUG 1/4 NPT (BRASS)	1
3	11544	BARB, PUSH-ON 3/8 HOSE X 1/4FPT	1
4	56226	HOSE, PUSH-ON 3/8"ID X 6"L	1
5	11542	BARB, PUSH-ON 3/8HOSE X M12-1.5MALE	1
6	10918	BOLT, CARRIAGE 5/16-18 X 1-3/4	4
7	10213	WASHER, FLAT 5/16 SAE ZINC	4
8	10801	WASHER, LOCK 5/16 ZINC	4
9	10054	NUT, HEX 5/16-18 ZINC	4
10	-----	KEY 1/4SQ X 1-11/16 (INCLUDED W/ ENGINE)	1
11	10043	BUSHING, SHEAVE SDS X 1"BORE (INCLUDES HARDWARE)	1
12	79032	SHEAVE 5"OD X 2GR.B X SDS	1
13	85028	BELT 5L-440 (21/32" X 44")	2
14	49009	BRACKET, BELT COVER, C-10	1
15	10087 10055	BOLT, CARRIAGE 3/8-16 X 1-3/4 SCREW, CAP 3/8-16 X 1	1 1
16	10025	WASHER, FLAT 3/8 SAE ZINC	4
17	10811	WASHER, LOCK 3/8 ZINC	2
18	10404	NUT, HEX 3/8-16 ZINC	3
19	49010	COVER, BELT, C-10	1
20	10213	WASHER, FLAT 5/16 SAE ZINC	2
21	10801	WASHER, LOCK 5/16 ZINC	2
22	10054	NUT, HEX 5/16-18 ZINC	2



ILLUSTRATION 5: SINGLE-PHASE MOTOR & BELT DRIVE GROUPING



MOTOR MOUNTING DETAIL

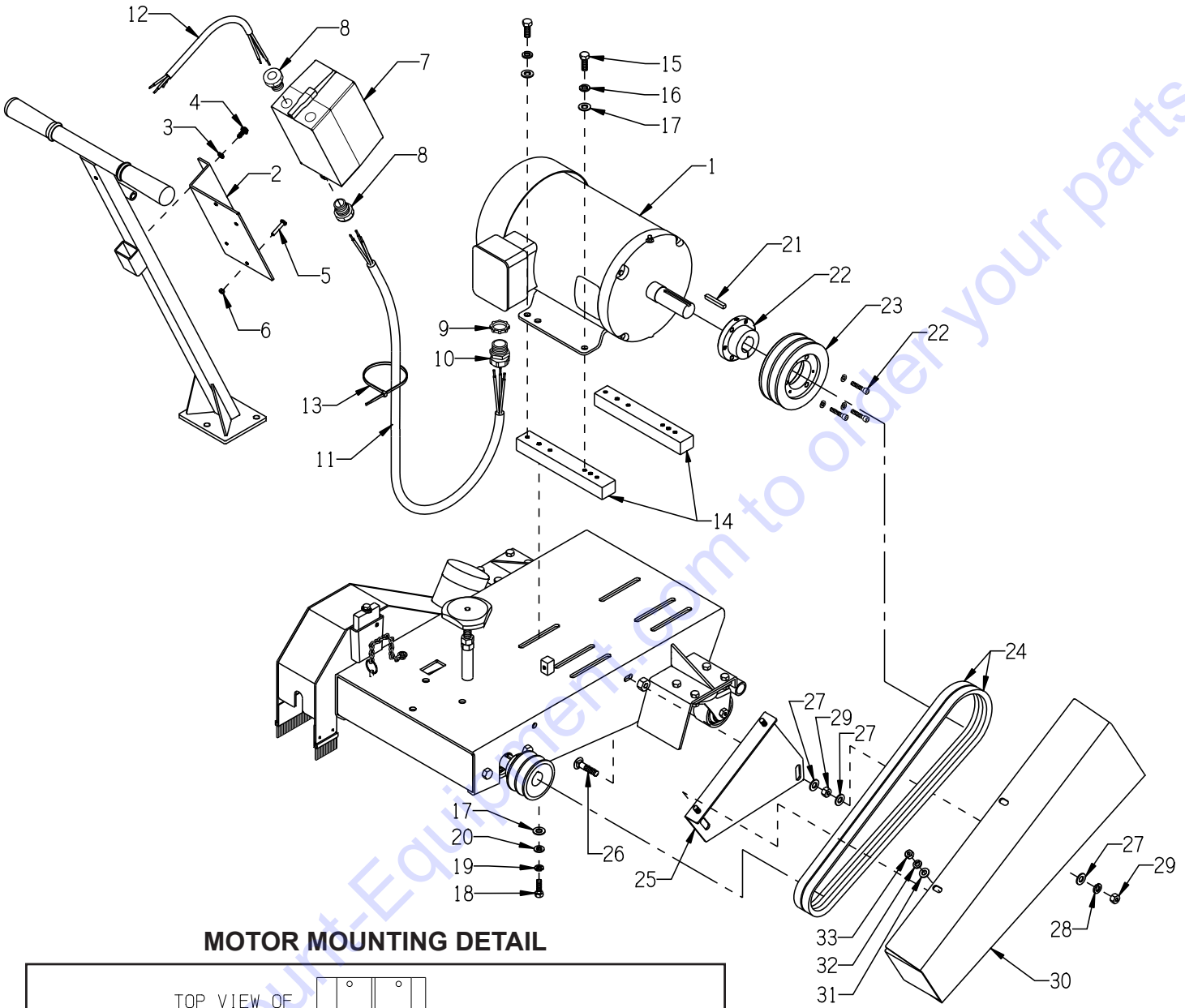


PARTS LISTING - ILLUSTRATION 5: SINGLE-PHASE MOTOR & BELT DRIVE GROUPING			
ITEM #	PART #	DESCRIPTION	QTY.
1	81026	MOTOR, BALDOR 5HP-1PH 60HZ 3450RPM L3608TM	1
	16121	REPLACEMENT PARTS:	2
	16164	CAPACITOR, START, EC1161C06, 161-193MFD, 250V	1
	16540	CAPACITOR, RUN, OC3040F09SP, 40MFD, 370V	1
		RESET BUTTON, BALDOR TPBRT25DB	1
2	77042	BRACKET, ROTARY CAM SWITCH	1
3	10038	WASHER, LOCK 1/4 ZINC	2
4	10846	SCREW, CAP STSHW 1/4-20 X 1/2	2
5	11663	SCREW, MACHINE 8-32 X 1/2 RHCD ZINC (LOCATED INSIDE SWITCH BOX)	4
6	10462	NUT, KEPS LOCK 8-32 ZINC	4
7	77043	SWITCH, ROTARY CAM ON/OFF	1
8	77043-1	SWITCH ADAPTER, PG16 TO 1/2"NPT	2
9	41130	STRAIN RELIEF 1/2NPT X .550-.650"	2
10	10740	CONDUIT LOCK NUT 3/4 NP (LOCATED INSIDE JUNCTION BOX)	1
11	10959	STRAIN RELIEF 3/4 NPT X .550-.650"	1
12	49028	WIRE HARNESS 10/3 X 42"LOA, C-10	1
13	86026	WIRE HARNESS 10/3 X 24"LOA	1
14	40037	PLUG, LOCKING 20A/250V L6-20P	1
15	40000	CONNECTOR, LOCKING 20A/250V L6-20C	1
16	10982	TIE, CABLE, BLACK NYLON 11-1/4"	1
17	10877	SCREW, CAP STSHW 10-24 X 1/2	1
18	10831	WASHER, LOCK, INT. TOOTH #10	1
19	11565	CLAMP, LOOM, 5/8" (SAE SIZE 10)	1
20	49021	MOUNT BAR, MOTOR, C-10	2
21	10055	SCREW, CAP 3/8-16 X 1	4
22	10811	WASHER, LOCK 3/8 ZINC	4
23	10025	WASHER, FLAT 3/8 SAE ZINC	8
24	10606	SCREW, CAP 5/16-18 X 1-1/4	4
25	10801	WASHER, LOCK 5/16 ZINC	4
26	10213	WASHER, FLAT 5/16 SAE ZINC	4
27	10101	KEY 1/4SQ X 1-3/4 (INCLUDED WITH MOTOR)	1
28	79032	SHEAVE 5"OD X 2GR.B X SDS	1
29	10558	BUSHING, SHEAVE SDS X 1-1/8"BORE (INCLUDES HARDWARE)	1
30	85028	BELT 5L-440 (21/32" x 44")	2
31	49009	BRACKET, BELT COVER, C-10	1
32	10335	BOLT, CARRIAGE 3/8-16 X 2-1/2	1
	27029	SCREW, CAP 3/8-16 X 1-3/4	1
33	52045	SPACER, STEEL 5/8OD X 3/8ID X 3/4L	2
34	10025	WASHER, FLAT 3/8 SAE ZINC	4
35	10811	WASHER, LOCK 3/8 ZINC	2
36	10404	NUT, HEX 3/8-16 ZINC	3
37	49010	COVER, BELT, C-10	1
38	10213	WASHER, FLAT 5/16 SAE ZINC	2
39	10801	WASHER, LOCK 5/16 ZINC	2
40	10054	NUT, HEX 5/16-18 ZINC	2

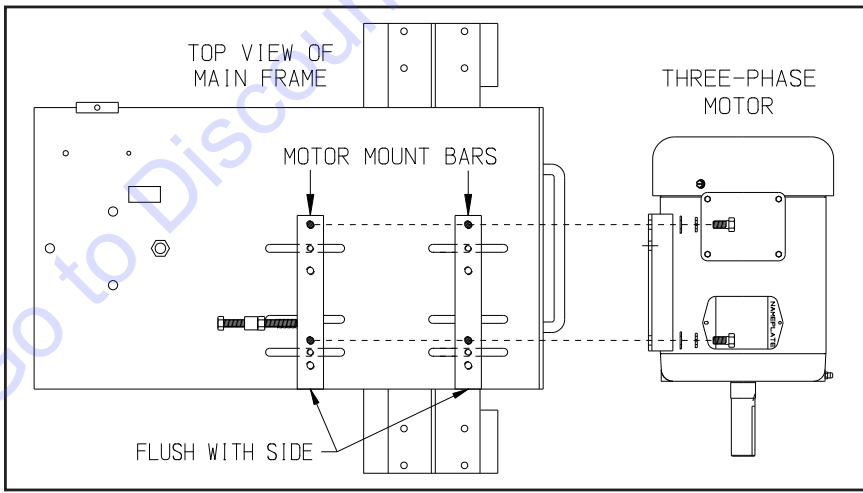


A Division of Equipment Development Company, Inc.

**ILLUSTRATION 6:
THREE-PHASE MOTOR & BELT DRIVE GROUPING**



MOTOR MOUNTING DETAIL



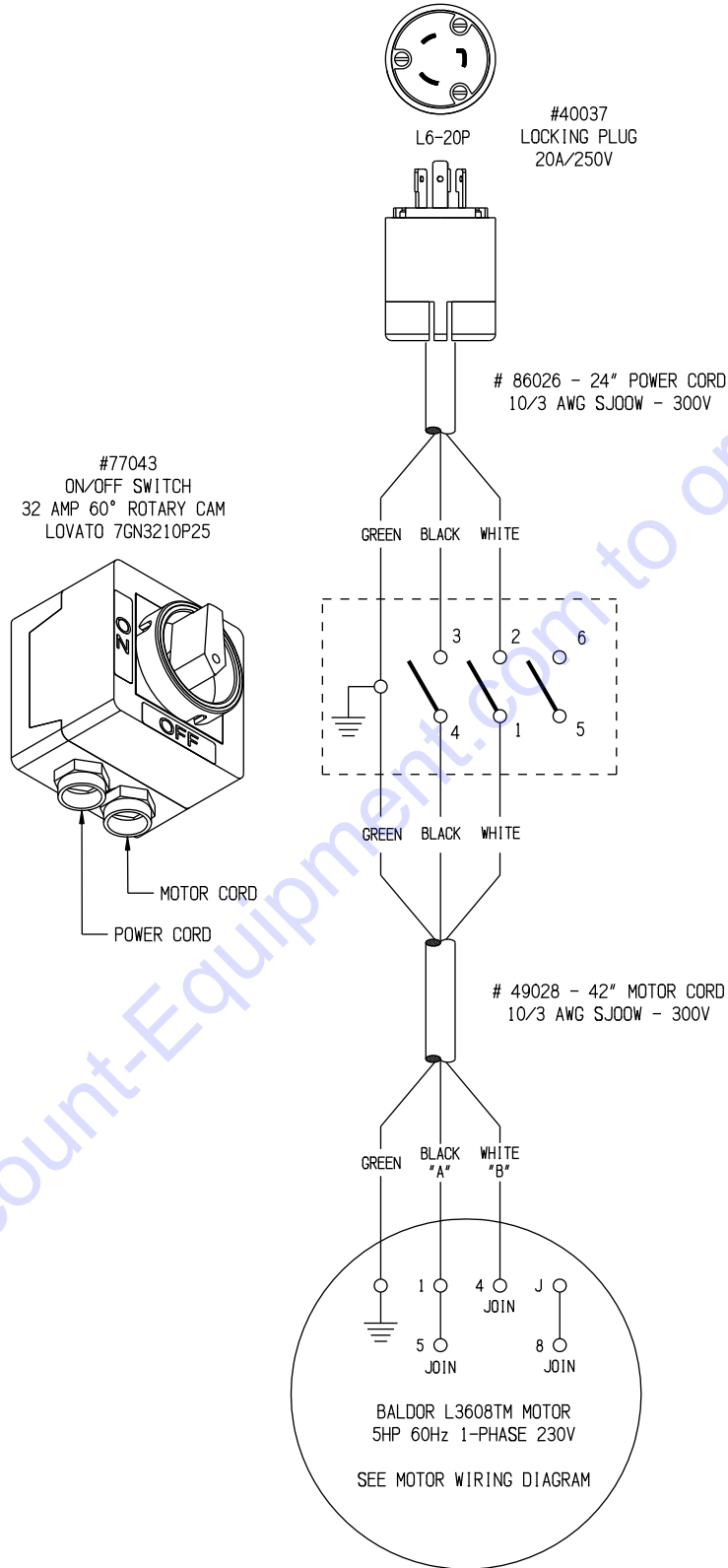
PARTS LISTING - ILLUSTRATION 6: THREE-PHASE MOTOR & BELT DRIVE GROUPING			
ITEM #	PART #	DESCRIPTION	QTY.
1	81022	MOTOR, BALDOR 5HP-3PH-60HZ-230/460V CAT. NO. EM3613T	1
2	86027	MOUNTING BRKT., STARTER	1
3	10038	WASHER, LOCK 1/4 ZINC	2
4	10846	SCREW, CAP STSHW 1/4-20 X 1/2	2
5	11732	SCREW, MACHINE 10-32 X 1-3/4 RHP	2
	10384	SCREW, MACHINE 10-32 X 1 RHP	1
6	10462	NUT, KEPS LOCK 8-32 ZINC	4
7	16405	STARTER ACI #128841 START-STOP 200/240V COIL 11.3-16A O/L	1
	16406	STARTER ACI #128847 START-STOP 440/480V COIL 5.5-7.5A O/L	1
		REPLACEMENT PARTS:	
	16617	STARTER CONT./COIL ACI SK18.310-230	1
	16618	STARTER CONT./COIL ACI SK18.310-460	1
	16622	STARTER AC COIL 200/240V-60HZ	1
	16623	STARTER AC COIL 440/480V-60HZ	1
	16632	STARTER OVERLOAD RELAY 5.5-7.5 AMP	1
	16635	STARTER OVERLOAD RELAY 11.3-16.0 AMP	1
8	41053	STRAIN RELIEF 1/2NPT X .625-.750"	2
9	10740	CONDUIT LOCK NUT 3/4 NP (LOCATED INSIDE JUNCTION BOX)	1
10	10605	STRAIN RELIEF 3/4NPT X .650-.750"	1
11	49027	WIRE HARNESS 12/4 X 34"LOA, C-10	1
12	49026	WIRE HARNESS 12/4 X 22"LOA, C-10	1
13	10982	TIE, CABLE, BLACK NYLON 11-1/4"	1
14	49021	MOUNT BAR, MOTOR, C-10	2
15	10055	SCREW, CAP 3/8-16 X 1	4
16	10811	WASHER, LOCK 3/8 ZINC	4
17	10025	WASHER, FLAT 3/8 SAE ZINC	8
18	10606	SCREW, CAP 5/16-18 X 1-1/4	4
19	10801	WASHER, LOCK 5/16 ZINC	4
20	10213	WASHER, FLAT 5/16 SAE ZINC	4
21	10101	KEY 1/4SQ X 1-3/4 (INCLUDED WITH MOTOR)	1
22	10558	BUSHING, SHEAVE SDS X 1-1/8"BORE (INCLUDES HARDWARE)	1
23	79032	SHEAVE 5"OD X 2GR.B X SDS	1
24	85028	BELT 5L-440 (21/32" x 44")	2
25	49009	BRACKET, BELT COVER, C-10	1
26	10087	BOLT, CARRIAGE 3/8-16 X 1-3/4	1
	10055	SCREW, CAP 3/8-16 X 1	1
27	10025	WASHER, FLAT 3/8 SAE ZINC	4
28	10811	WASHER, LOCK 3/8 ZINC	2
29	10404	NUT, HEX 3/8-16 ZINC	3
30	49010	COVER, BELT, C-10	1
31	10213	WASHER, FLAT 5/16 SAE ZINC	2
32	10801	WASHER, LOCK 5/16 ZINC	2
33	10054	NUT, HEX 5/16-18 ZINC	2



A Division of Equipment Development Company, Inc.

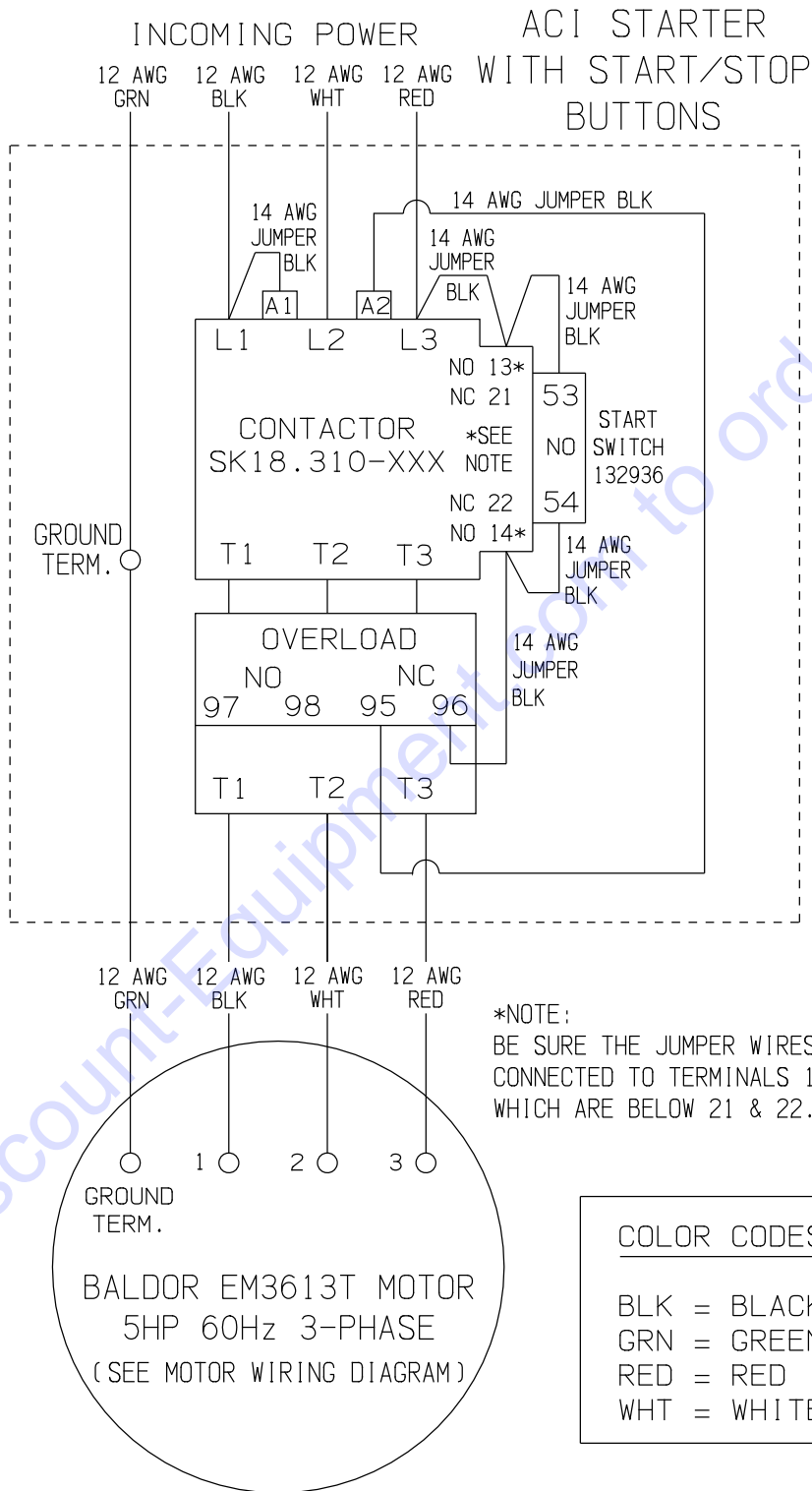
WIRING DIAGRAM FOR ROTARY CAM SWITCH

SINGLE-PHASE 60Hz 230V



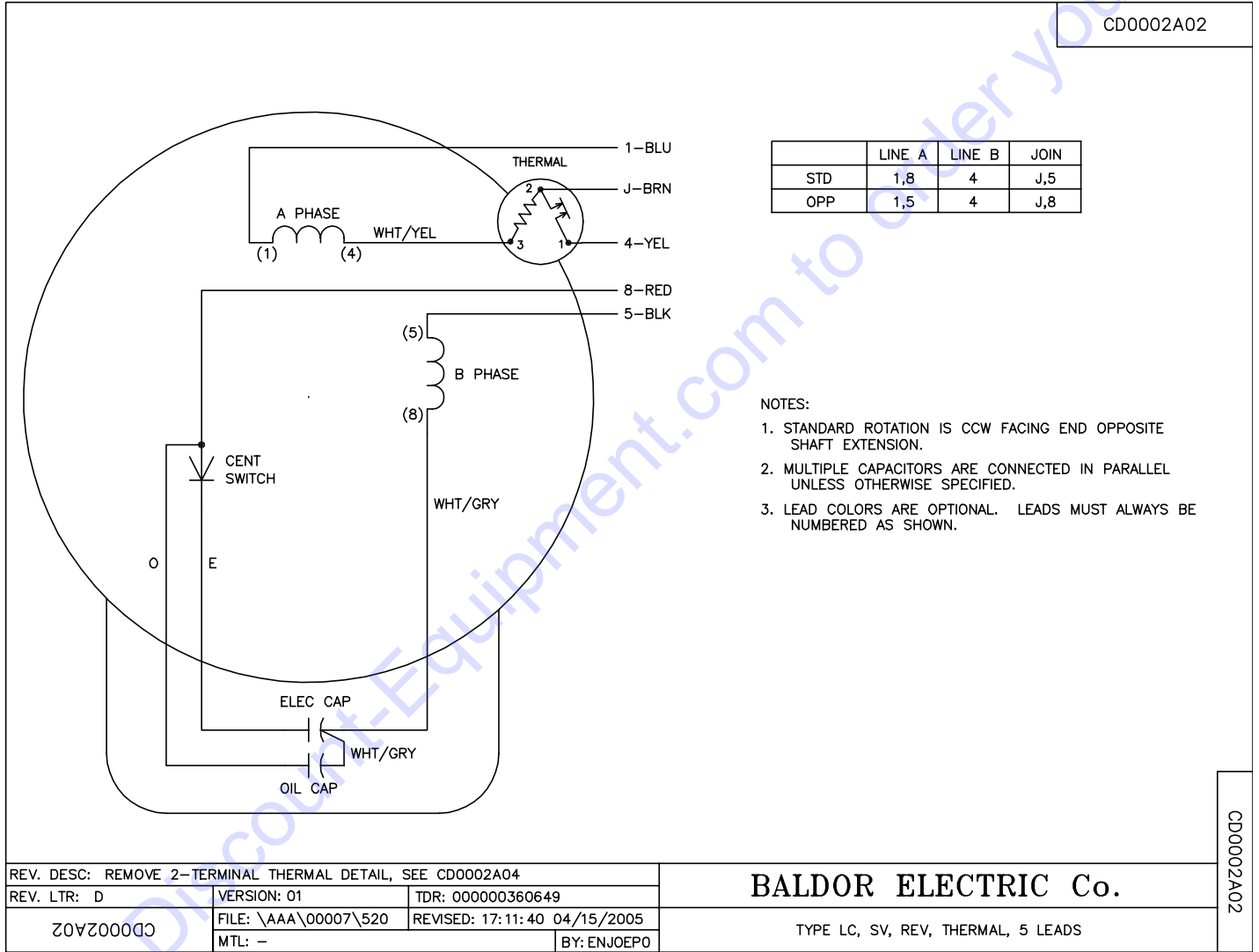
WIRING DIAGRAM FOR STARTER

THREE-PHASE 60Hz 230/460V



WIRING DIAGRAM FOR 1-PHASE 60Hz MOTOR BALDOR CAT. NO. L3608TM

CD0002A02



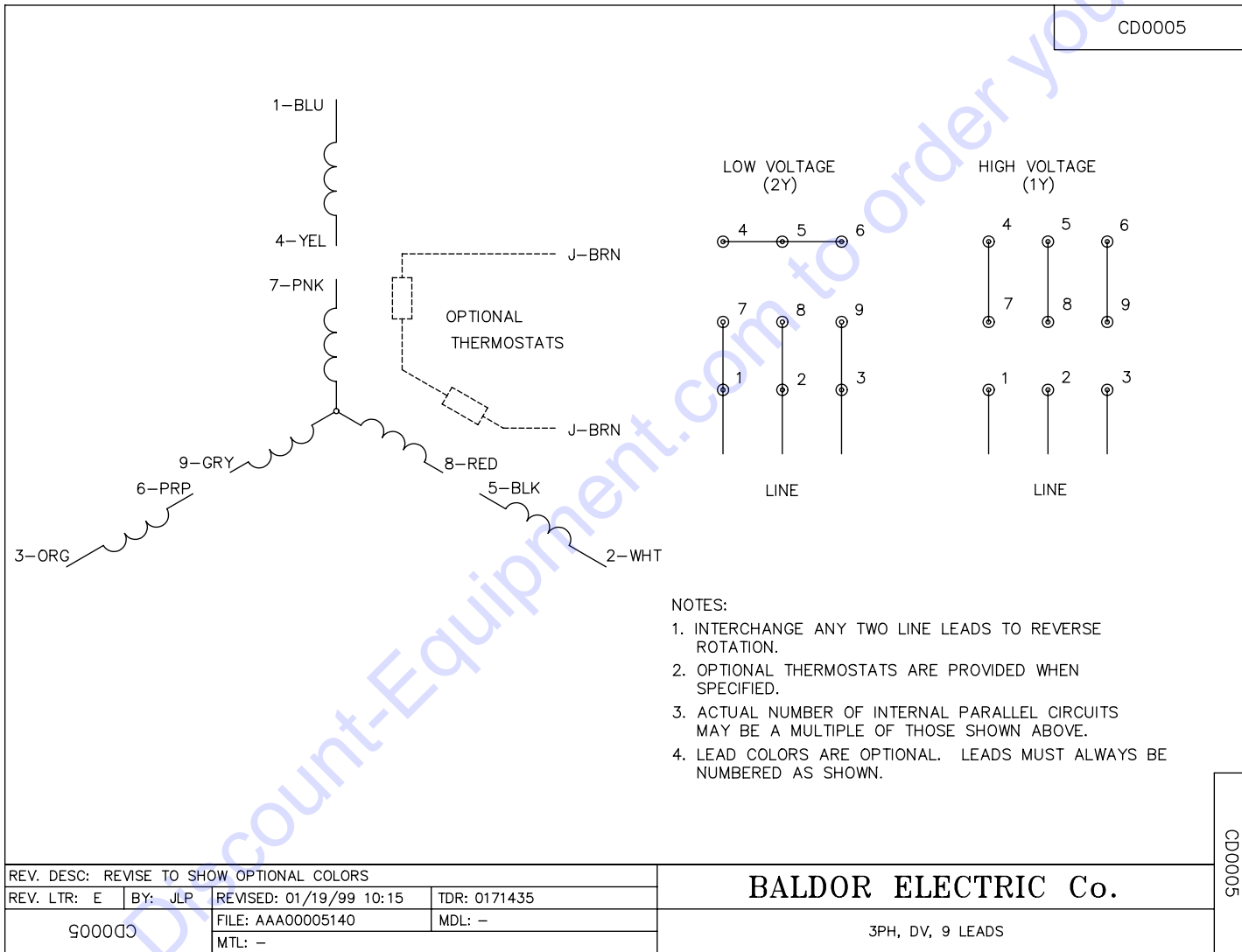
REV. DESC: REMOVE 2-TERMINAL THERMAL DETAIL, SEE CD0002A04		
REV. LTR: D	VERSION: 01	TDR: 000000360649
CD0002A02	FILE: \AAA\00007\520	REVISED: 17:11:40 04/15/2005
	MTL: -	BY: ENJOEPO

BALDOR ELECTRIC Co.

TYPE LC, SV, REV, THERMAL, 5 LEADS

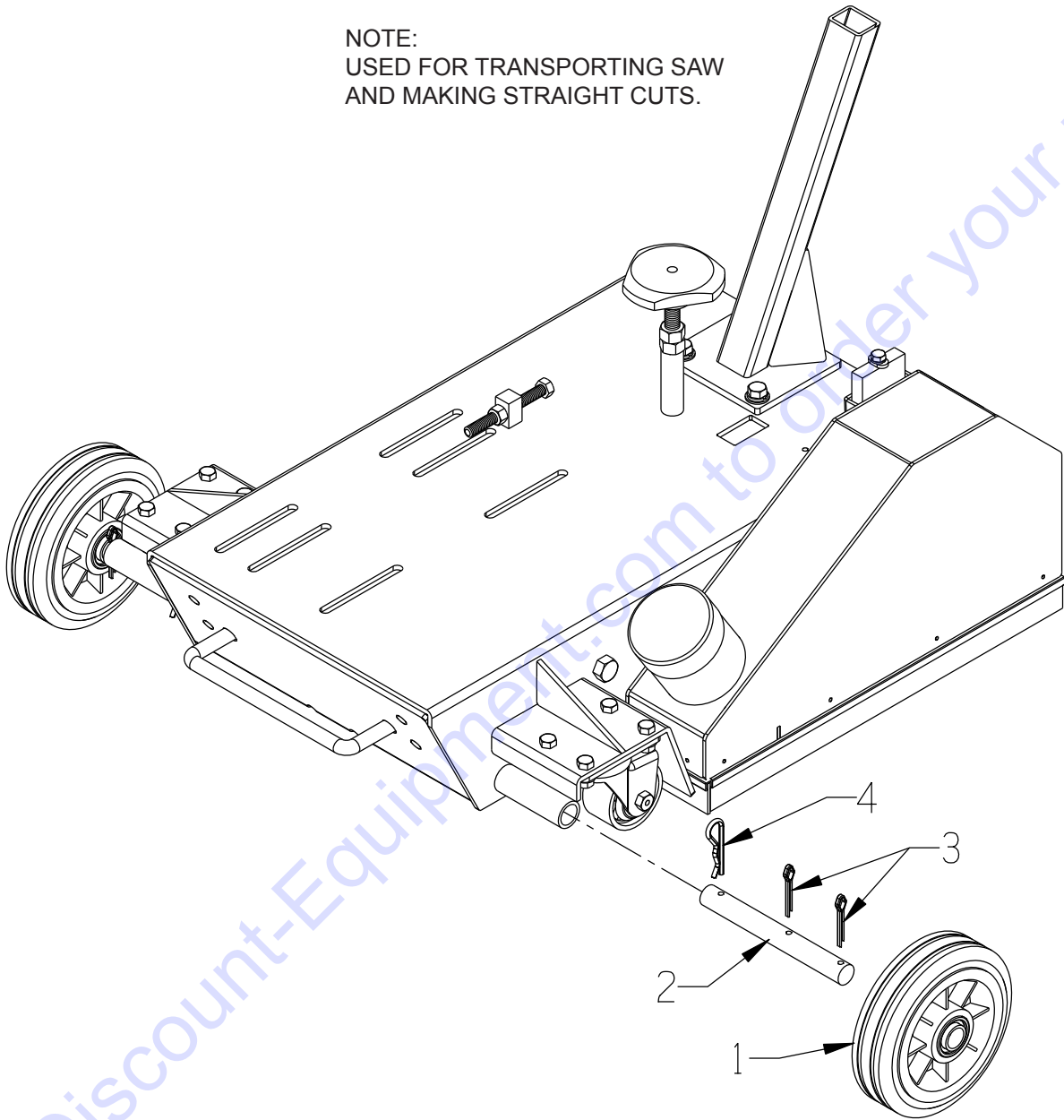
CD0002A02

**WIRING DIAGRAM FOR 3-PHASE 60Hz MOTOR
BALDOR CAT. NO. EM3613T**



**ILLUSTRATION 7:
OPTIONAL WHEEL KIT
PART # 49015**

NOTE:
USED FOR TRANSPORTING SAW
AND MAKING STRAIGHT CUTS.



ITEM #	PART #	DESCRIPTION	QTY.
1	80028	WHEEL 6 X 2 X 3/4"BRG.	2
2	49017	AXLE SHAFT 3/4"DIA. X 6-1/2"L, C-10	2
3	10306	PIN, COTTER 3/16 X 1-1/2	4
4	10124	PIN, HAIR COTTER .125" X 1-15/16OAL	2

PARTS FINDER

**Search Website
by Part Number**



**Search Manual
Library For Parts
Manual & Lookup Part
Numbers – Purchase
or Request Quote**

Search Manuals

Enter your information to help us find the right parts manual for your machine.

* Brand:

* Model:

* Serial:

* Part Number:

SEARCH

**Can't Find Part or
Manual? Request Help
by Manufacturer,
Model & Description**

Parts Order Form

Please fill in the following information to help us find the right part for your machine.

Manufacturer:	<input type="text"/>
Model:	<input type="text"/>
Description:	<input type="text"/>
Part Number:	<input type="text"/>
Quantity:	<input type="text"/>
Notes:	<input type="text"/>

Submit

Discount-Equipment.com is your online resource for quality parts & equipment.

Florida: **561-964-4949** Outside Florida TOLL FREE: **877-690-3101**

Need parts?

Click on this link: <http://www.discount-equipment.com/category/5443-parts/> and choose one of the options to help get the right parts and equipment you are looking for. Please have the machine model and serial number available in order to help us get you the correct parts. If you don't find the part on the website or on one of the online manuals, please fill out the request form and one of our experienced staff members will get back to you with a quote for the right part that your machine needs.

We sell worldwide for the brands: Genie, Terex, JLG, MultiQuip, Mikasa, Essick, Whiteman, Mayco, Toro Stone, Diamond Products, Generac Magnum, Airman, Haulotte, Barreto, Power Blanket, Nifty Lift, Atlas Copco, Chicago Pneumatic, Allmand, Miller Curber, Skyjack, Lull, Skytrak, Tsurumi, Husquvarna Target, Stow, Wacker, Sakai, Mi-T-M, Sullair, Basic, Dynapac, MBW, Weber, Bartell, Bennar Newman, Haulotte, Ditch Runner, Menegotti, Morrison, Contec, Buddy, Crown, Edco, Wyco, Bomag, Laymor, EZ Trench, Bil-Jax, F.S. Curtis, Gehl Pavers, Heli, Honda, ICS/PowerGrit, IHI, Partner, Imer, Clipper, MMD, Koshin, Rice, CH&E, General Equipment, Amida, Coleman, NAC, Gradall, Square Shooter, Kent, Stanley, Tamco, Toku, Hatz, Kohler, Robin, Wisconsin, Northrock, Oztec, Toker TK, Rol-Air, APT, Wylie, Ingersoll Rand / Doosan, Innovatech, Con X, Ammann, Mecalac, Makinex, Smith Surface Prep, Small Line, Wanco, Yanmar