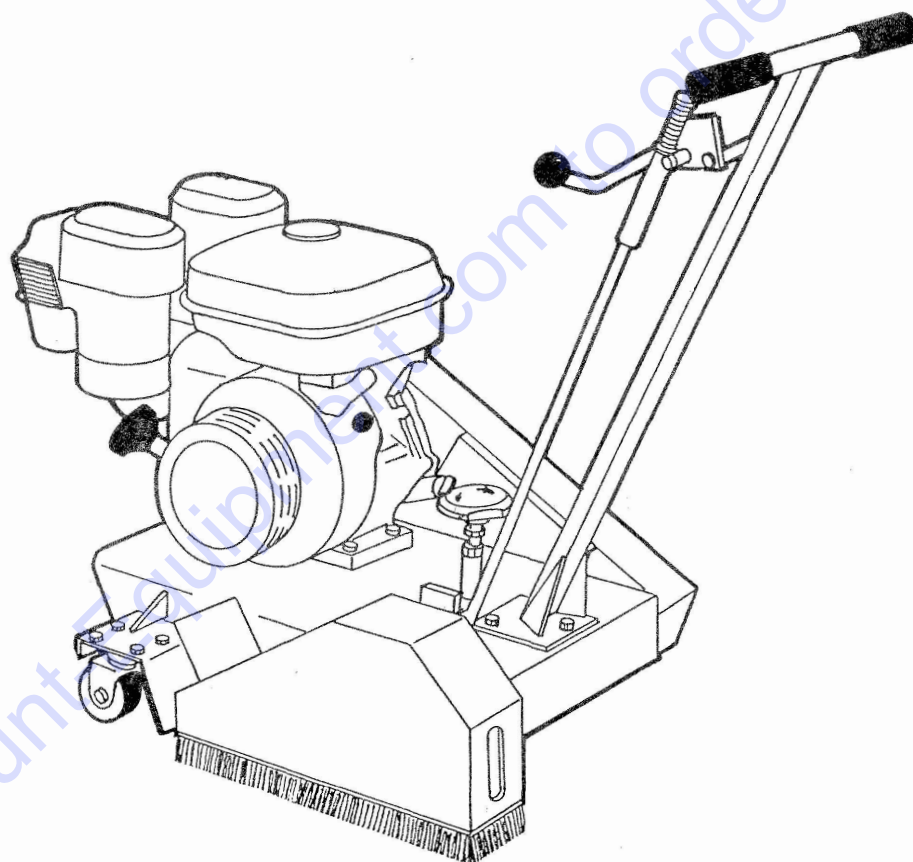


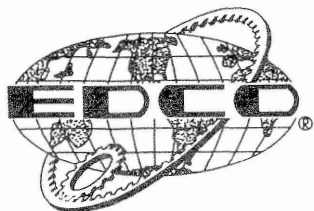
MAY 1, 1991

# CRACK CHASER

INSTRUCTIONS AND PARTS MANUAL



Model C-10



**Discount  
Equipment**

PRINTED IN U.S.A.

# PARTS FINDER

**Search Website  
by Part Number**



**Search Manual  
Library For Parts  
Manual & Lookup Part  
Numbers – Purchase  
or Request Quote**

**Search Manuals**

Enter your information to help us find the right parts manual for your machine.

\* Brand:

\* Model:

\* Serial:

\* Part Number:

SEARCH

**Can't Find Part or  
Manual? Request Help  
by Manufacturer,  
Model & Description**

**Parts Order Form**

Please fill in the following information to help us find the right part for your machine.

Manufacturer:	<input type="text"/>
Model:	<input type="text"/>
Description:	<input type="text"/>
Part Number:	<input type="text"/>
Quantity:	<input type="text"/>
Notes:	<input type="text"/>

Discount-Equipment.com is your online resource for quality parts & equipment.

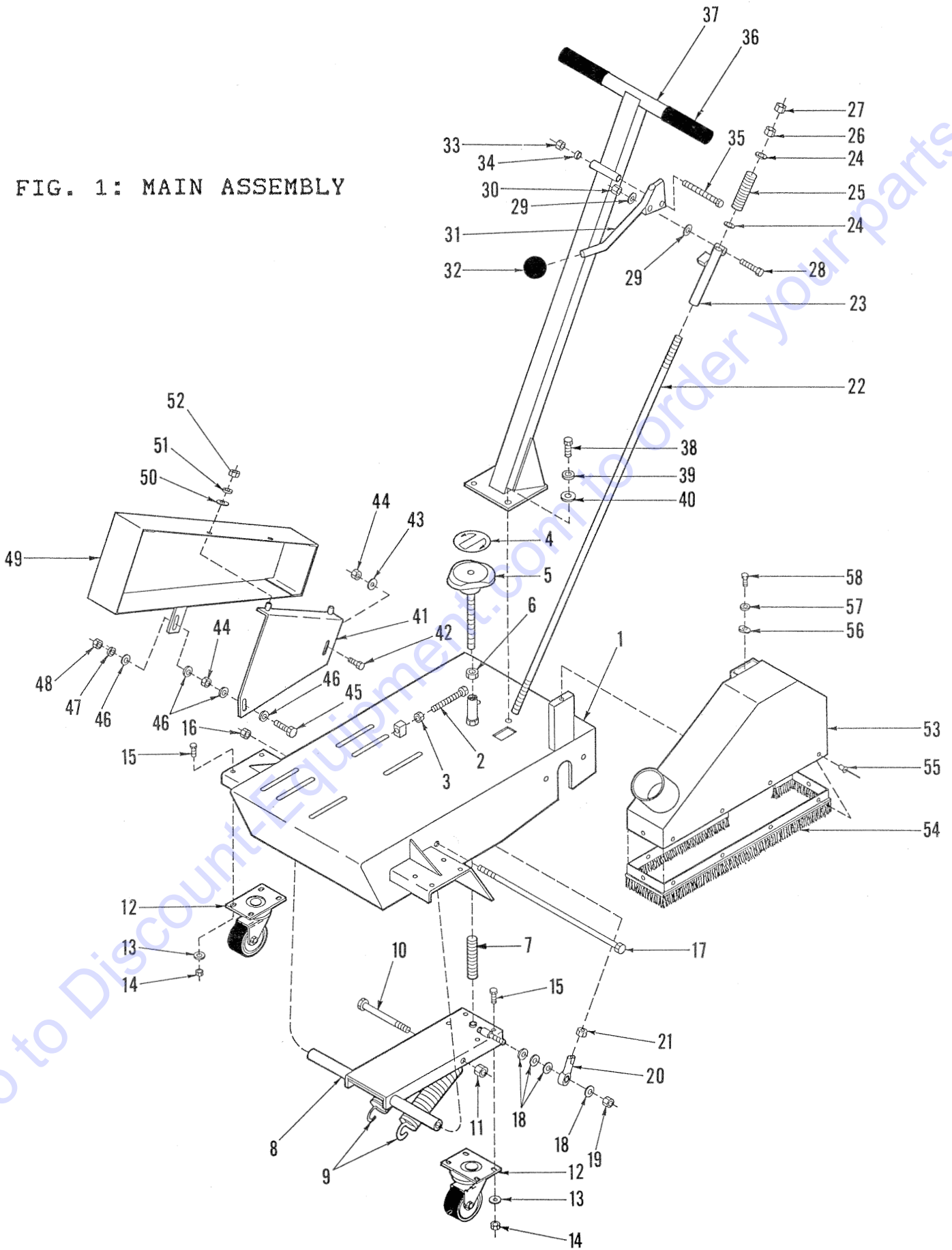
Florida: **561-964-4949** Outside Florida TOLL FREE: **877-690-3101**

**Need parts?**

Click on this link: <http://www.discount-equipment.com/category/5443-parts/> and choose one of the options to help get the right parts and equipment you are looking for. Please have the machine model and serial number available in order to help us get you the correct parts. If you don't find the part on the website or on one of the online manuals, please fill out the request form and one of our experienced staff members will get back to you with a quote for the right part that your machine needs.

We sell worldwide for the brands: Genie, Terex, JLG, MultiQuip, Mikasa, Essick, Whiteman, Mayco, Toro Stone, Diamond Products, Generac Magnum, Airman, Haulotte, Barreto, Power Blanket, Nifty Lift, Atlas Copco, Chicago Pneumatic, Allmand, Miller Curber, Skyjack, Lull, Skytrak, Tsurumi, Husquvarna Target, Stow, Wacker, Sakai, Mi-T-M, Sullair, Basic, Dynapac, MBW, Weber, Bartell, Bennar Newman, Haulotte, Ditch Runner, Menegotti, Morrison, Contec, Buddy, Crown, Edco, Wyco, Bomag, Laymor, EZ Trench, Bil-Jax, F.S. Curtis, Gehl Pavers, Heli, Honda, ICS/PowerGrit, IHI, Partner, Imer, Clipper, MMD, Koshin, Rice, CH&E, General Equipment, Amida, Coleman, NAC, Gradall, Square Shooter, Kent, Stanley, Tamco, Toku, Hatz, Kohler, Robin, Wisconsin, Northrock, Oztec, Toker TK, Rol-Air, APT, Wylie, Ingersoll Rand / Doosan, Innovatech, Con X, Ammann, Mecalac, Makinex, Smith Surface Prep, Small Line, Wanco, Yanmar

FIG. 1: MAIN ASSEMBLY



## PARTS LISTING - FIG. 1: MAIN ASSEMBLY

Item #	Part #	Description	Qty.
1.	49001	Frame, Main	1
2.	52015	Screw, Cap 3/8-16 x 3-1/2 Full	1
3.	10404	Nut 3/8-16	1
4.	80007	Decal, "Cut Control" (Small)	1
5.	49014	Knob, Control W/ 1/2-13 x 6-3/4	1
6.	10417	Nut 1/2-13	1
7.	10922	Spring Comp. .968"OD x 3-1/2"CL	1
8.	49002	Fork	1
9.	41041	Spring, Ext. 1.75"OD x 8"L	2
10.	10913	Screw, Cap 1/2-20 x 5	1
11.	10205	Nut, Lock 1/2-20	1
12.	49003	Caster, Swivel 2-1/2 x 1-1/4	3
13.	10213	Washer, Flat 5/16	12
14.	10807	Nut, Lock 5/16-18	12
15.	10053	Screw, Cap 5/16-18 x 3/4	12
16.	10407	Nut, Lock 1/2-13	1
17.	52014	Screw, Cap 1/2-13 x 14	1
18.	10025	Washer, Flat 3/8	4
19.	10004	Nut, Lock 3/8-24	1
20.	10919	Rod End, Female 3/8-24	1
21.	10014	Nut 3/8-24	1
22.	49004	Linkage, Disengage 3/8 x 31-1/2"	1
23.	49005	Linkage Support, Upper	1
24.	10025	Washer, Flat 3/8	2
25.	49006	Spring, Comp. 13/16"OD x 2-1/4"	1
26.	10004	Nut, Lock 3/8-24	1
27.	10014	Nut 3/8-24	1
28.	10029	Screw, Cap 3/8-24 x 1-3/4	1
29.	10025	Washer, Flat 3/8	2
30.	10004	Nut, Lock 3/8-24	1
31.	49007	Lever, Disengage	1
32.	14023	Knob, Ball 1/2-13 x 1-3/8"RD	1
33.	10810	Nut, Lock 3/8-16	1
34.	10011	Spacer, Steel 3/8"ID x 3/8"W	2
35.	10318	Screw, Cap 3/8-16 x 3-3/4	1
36.	79022	Grip, Hand 1"	2
37.	49008	Handle Bar	1
38.	10055	Screw, Cap 3/8-16 x 1	3
39.	10811	Washer, Lock 3/8	3
40.	10025	Washer, Flat 3/8	3
41.	49009	Bracket, Belt Cover	1
42.	10021	Screw, Cap 3/8-24 x 1	1
43.	10025	Washer, Flat 3/8	1
44.	10810	Nut, Lock 3/8-16	2
45.	10480	Screw, Cap 3/8-16 x 1-1/2 Full	1
46.	10025	Washer, Flat 3/8	4
47.	10811	Washer, Lock 3/8	1
48.	10404	Nut 3/8-16	1
49.	49010	Belt Cover Assembly	1
50.	10213	Washer, Flat 5/16	2
51.	10801	Washer, Lock 5/16	2
52.	10054	Nut 5/16-18	2
53.	49011	Blade Guard	1
54.	49012	Brush 1" x 34-1/2"L	1
55.	10128	Rivet, Pop 1/8 x 1/4	10
56.	49013	Blade Guard Stop	1
57.	10038	Washer, Lock 1/4	1
58.	10353	Screw, Skt. Hd. 1/4-20 x 1/2	1

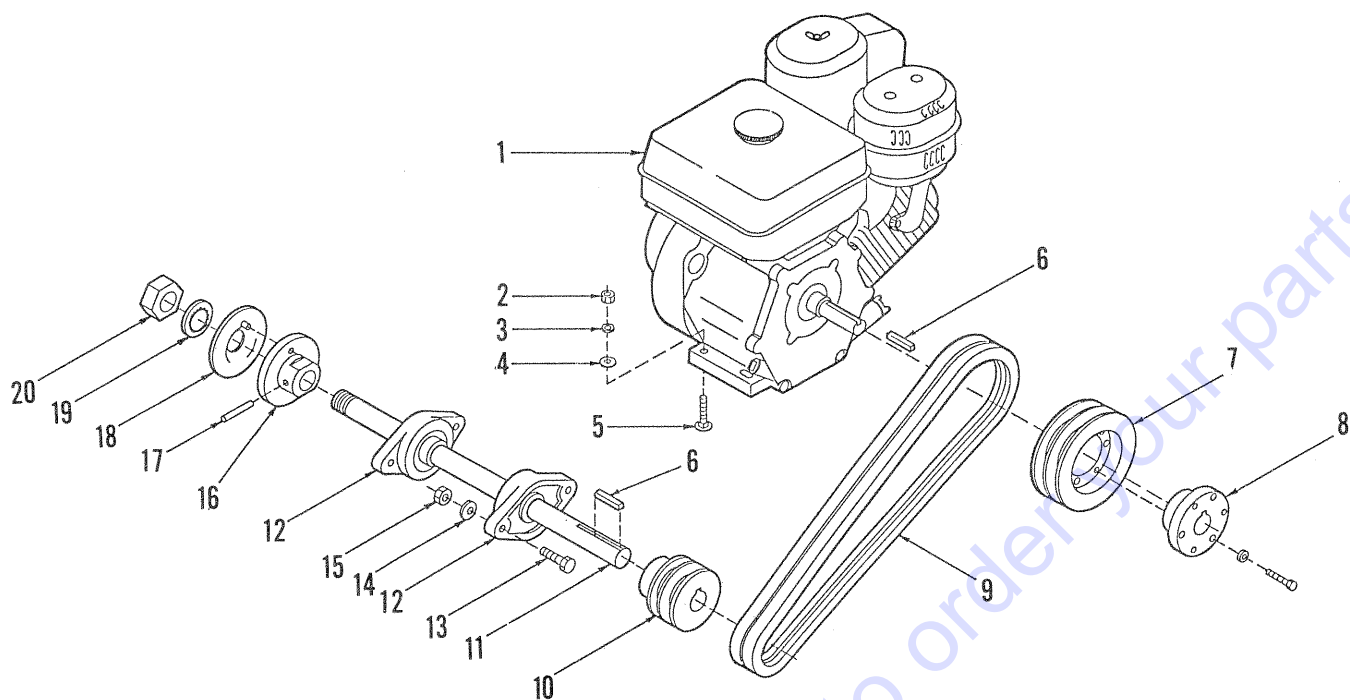


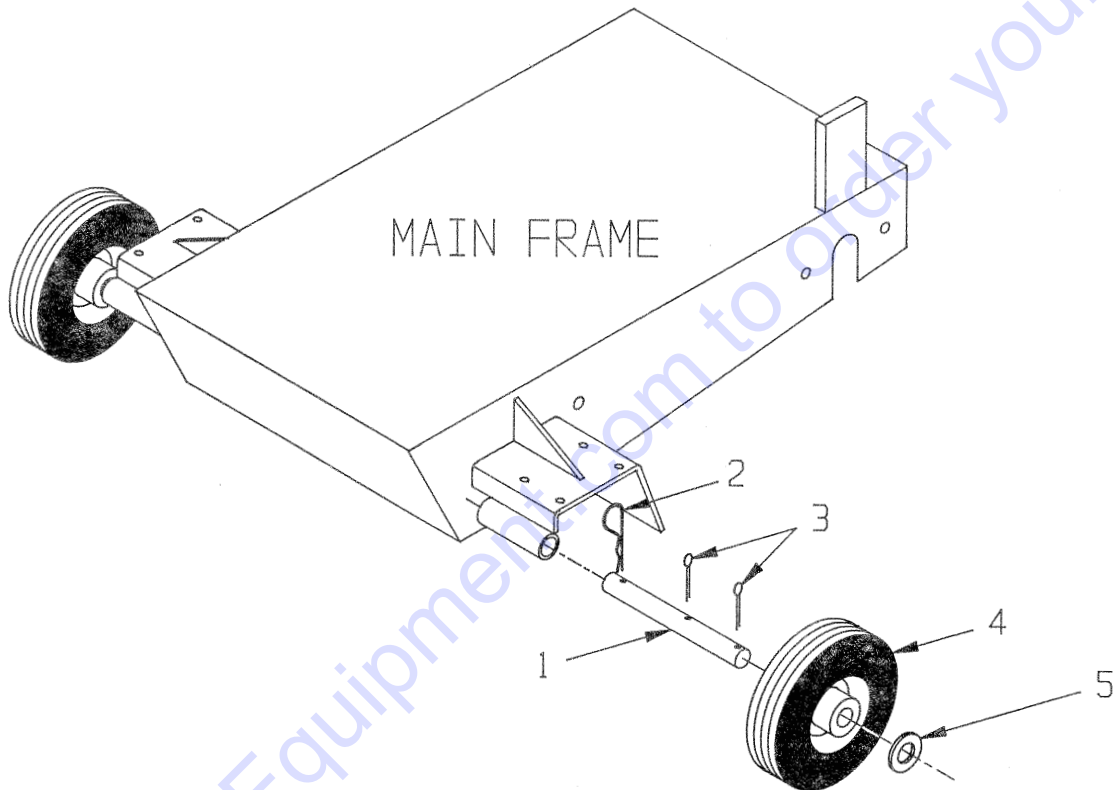
FIG. 2: ENGINE & ARBOR ASSEMBLY

Item #	Part #	Description	Qty.
1.	76025	Engine, Honda 8 HP	1
or	15015	Engine, Kohler 8 HP	1
2.	10054	Nut 5/16-18	4
3.	10801	Washer, Lock 5/16	4
4.	10213	Washer, Flat 5/16	4
5.	10918	Bolt, Carr. 5/16-18 x 1-3/4	4
or	10817	Bolt, Carr. 5/16-18 x 1-1/2	4
6.	10301	Key 1/4" Sq. x 1-1/2	2
7.	79032	Sheave 5"OD x 2Gr.B x SDS	1
8.	10043	Bushing, Sheave SDS x 1" Bore	1
9.	85028	Belt 5L-440	2
10.	79024	Sheave 3"OD x 2Gr.B x 1" Bore	1
11.	69050	Arbor Shaft 1"RD x 18-1/2"L	1
12.	62022	Bearing, Ball 1" 2-Hole Flange	2
13.	10003	Screw, Cap 7/16-20 x 1-1/4	4
14.	10062	Washer, Flat 7/16	4
15.	10002	Nut, Lock 7/16-20	4
16.	56008	Arbor Backing Plate	1
17.	10211	Pin, Roll 5/16 x 2	1
18.	56019	Arbor, Blade Retaining Cap	1
19.	55009	Washer, Int. Tooth 1"	1
20.	50019	Nut, Jam 1-14	1

# PARTS LIST ADDENDUM

EFFECTIVE  
1-1-92

## Model C-10 TRANSPORT WHEELS (OPTIONAL)



Item #	Part #	Description	Qty.
1	49017	Axle Shaft 3/4"Rd x 6-1/2"L	2
2	10124	Pin, Hair Cotter 1"	2
3	10306	Pin, Cotter 3/16 x 1-1/2	4
4	80028	Wheel 6 x 2 x 3/4"Brg.	2
5	10009	Washer, Flat 3/4	2

# PARTS FINDER

**Search Website  
by Part Number**



**Search Manual  
Library For Parts  
Manual & Lookup Part  
Numbers – Purchase  
or Request Quote**

**Search Manuals**

Enter your information to help us find the right parts manual for your machine.

\* Brand:

\* Model:

\* Serial:

\* Part Number:

SEARCH

**Can't Find Part or  
Manual? Request Help  
by Manufacturer,  
Model & Description**

**Parts Order Form**

Please fill in the following information to help us find the right part for your machine.

Manufacturer:	<input type="text"/>
Model:	<input type="text"/>
Description:	<input type="text"/>
Part Number:	<input type="text"/>
Quantity:	<input type="text"/>
Notes:	<input type="text"/>

Submit

Discount-Equipment.com is your online resource for quality parts & equipment.

Florida: **561-964-4949** Outside Florida TOLL FREE: **877-690-3101**

**Need parts?**

Click on this link: <http://www.discount-equipment.com/category/5443-parts/> and choose one of the options to help get the right parts and equipment you are looking for. Please have the machine model and serial number available in order to help us get you the correct parts. If you don't find the part on the website or on one of the online manuals, please fill out the request form and one of our experienced staff members will get back to you with a quote for the right part that your machine needs.

We sell worldwide for the brands: Genie, Terex, JLG, MultiQuip, Mikasa, Essick, Whiteman, Mayco, Toro Stone, Diamond Products, Generac Magnum, Airman, Haulotte, Barreto, Power Blanket, Nifty Lift, Atlas Copco, Chicago Pneumatic, Allmand, Miller Curber, Skyjack, Lull, Skytrak, Tsurumi, Husquvarna Target, Stow, Wacker, Sakai, Mi-T-M, Sullair, Basic, Dynapac, MBW, Weber, Bartell, Bennar Newman, Haulotte, Ditch Runner, Menegotti, Morrison, Contec, Buddy, Crown, Edco, Wyco, Bomag, Laymor, EZ Trench, Bil-Jax, F.S. Curtis, Gehl Pavers, Heli, Honda, ICS/PowerGrit, IHI, Partner, Imer, Clipper, MMD, Koshin, Rice, CH&E, General Equipment, Amida, Coleman, NAC, Gradall, Square Shooter, Kent, Stanley, Tamco, Toku, Hatz, Kohler, Robin, Wisconsin, Northrock, Oztec, Toker TK, Rol-Air, APT, Wylie, Ingersoll Rand / Doosan, Innovatech, Con X, Ammann, Mecalac, Makinex, Smith Surface Prep, Small Line, Wanco, Yanmar