

REVISED STARTING SERIAL #060210009

# PARTS LIST MANUAL

## Model SS-20



### 20" CONCRETE/ASPHALT SELF-PROPELLED SAWS

SKU NO.	MODEL NO.	POWER OPTION
32600	SS20-20H	HONDA ENGINE 20HP GX620-K1TZF2
34700	SS20-24H	HONDA ENGINE 24 HP GX670-TXA2
32700	SS20-20KC	KOHLER ENGINE 20HP COMMAND CH20S
33200-230	SS20-7.5B/230/3	BALDOR MOTOR 7.5HP-3PH 60HZ 1725RPM
33200-460	SS20-7.5B/460/3	BALDOR MOTOR 7.5HP-3PH 60HZ 1725RPM
33200-50/220	SS20-7.5B/50/220/3	BALDOR MOTOR 7.5HP-3PH 50HZ 1725RPM
33200-50/380	SS20-7.5B/50/380/3	BALDOR MOTOR 7.5HP-3PH 50HZ 1725RPM
33200-50/440	SS20-7.5B/50/440/3	BALDOR MOTOR 7.5HP-3PH 50HZ 1725RPM
33100-230	SS20-10B/230/3	BALDOR MOTOR 10HP-3PH 60HZ 2850RPM
33100-460	SS20-10B/460/3	BALDOR MOTOR 10HP-3PH 60HZ 2850RPM
33100-50/380	SS20-10B/50/380/3	BALDOR MOTOR 10HP-3PH 50HZ 2850RPM
33100-50/440	SS20-10B/50/440/3	BALDOR MOTOR 10HP-3PH 50HZ 2850RPM



# PARTS FINDER

**Search Website  
by Part Number**



**Search Manual  
Library For Parts  
Manual & Lookup Part  
Numbers – Purchase  
or Request Quote**

**Search Manuals**

Enter your information to help us find the right parts manual for your machine.

\* Brand:

\* Model:

\* Serial:

\* Part Number:

SEARCH

**Can't Find Part or  
Manual? Request Help  
by Manufacturer,  
Model & Description**

**Parts Order Form**

Please fill in the following information to help us find the right part for your machine.

Manufacturer:

Model:

Description:

Part Number:

Quantity:

Price:

Submit

Discount-Equipment.com is your online resource for quality parts & equipment.

Florida: **561-964-4949** Outside Florida TOLL FREE: **877-690-3101**

**Need parts?**

Click on this link: <http://www.discount-equipment.com/category/5443-parts/> and choose one of the options to help get the right parts and equipment you are looking for. Please have the machine model and serial number available in order to help us get you the correct parts. If you don't find the part on the website or on one of the online manuals, please fill out the request form and one of our experienced staff members will get back to you with a quote for the right part that your machine needs.

We sell worldwide for the brands: Genie, Terex, JLG, MultiQuip, Mikasa, Essick, Whiteman, Mayco, Toro Stone, Diamond Products, Generac Magnum, Airman, Haulotte, Barreto, Power Blanket, Nifty Lift, Atlas Copco, Chicago Pneumatic, Allmand, Miller Curber, Skyjack, Lull, Skytrak, Tsurumi, Husquvarna Target, Stow, Wacker, Sakai, Mi-T-M, Sullair, Basic, Dynapac, MBW, Weber, Bartell, Bennar Newman, Haulotte, Ditch Runner, Menegotti, Morrison, Contec, Buddy, Crown, Edco, Wyco, Bomag, Laymor, EZ Trench, Bil-Jax, F.S. Curtis, Gehl Pavers, Heli, Honda, ICS/PowerGrit, IHI, Partner, Imer, Clipper, MMD, Koshin, Rice, CH&E, General Equipment, Amida, Coleman, NAC, Gradall, Square Shooter, Kent, Stanley, Tamco, Toku, Hatz, Kohler, Robin, Wisconsin, Northrock, Oztec, Toker TK, Rol-Air, APT, Wylie, Ingersoll Rand / Doosan, Innovatech, Con X, Ammann, Mecalac, Makinex, Smith Surface Prep, Small Line, Wanco, Yanmar

READ AND UNDERSTAND THE OPERATORS INSTRUCTION MANUAL THOROUGHLY BEFORE ATTEMPTING TO OPERATE THIS EQUIPMENT. Death or serious injury could occur if this machine is used improperly.



## SAFETY MESSAGES



The safety instructions are preceded by a graphic alert message of DANGER, WARNING, or CAUTION.



Indicates an imminent hazard which, if not avoided, will result in death or serious injury.



Indicates an imminent hazard which, if not avoided, can result in death or serious injury.



Indicates hazards which, if not avoided, could result in serious injury and or damage to the equipment.

## GASOLINE Powered Equipment



- Do not operate gasoline powered equipment without adequate ventilation. Carbon monoxide is an invisible, odorless gas that can kill.

## ELECTRICAL Powered Equipment



- ELECTRICAL HAZARD** - Be sure equipment is properly grounded. Failure to comply could kill or result in serious injury.



The engine exhaust from this product contains chemicals known to the State of California to cause cancer, birth defects or other reproductive harm.

## GENERAL INSTRUCTIONS



- You must read and understand the operators instruction manual and all other manuals associated with this machine. For your safety and the safety of others around you, it is extremely important to fully understand how to operate this machine in the way it was intended. Different model machines or older/newer versions of the same model may have different parts and controls that you need to understand. If instructions are not readable or available DO NOT USE this machine and contact Discount-equipment for a replacement Manual.
- You must be able to physically handle the bulk weight and power of this machine. If not properly controlled this machine can cause death or serious injury.
- Do not operate this machine in an impaired mental state. You must be able to exercise good judgement and reactions to maintain a safe working environment.
- This is a "one person" machine which means only one operator can be operating the machine at any one time. For the safety of others, maintain a safe operating distance to other personnel. Your work area should be defined and appropriately marked so bystanders and coworkers do not stand or walk near this machine and end up seriously injured by flying debris or exposing them to harmful noise or dust.
- This equipment is for Commercial use. Although this is a "one person" machine your work team should understand how to shut this machine off and quickly get medical help if an accident strikes the operator.
- Keep all guards in place during operation. The guards are to provide protection from inadvertent contact with dangerous moving parts, pinch points, or hot surfaces.
- Wear appropriate Personal Protective Equipment (PPE) including safety glasses, safety boots, work gloves, respiratory protection, hearing protection, and head protection. Do not wear loose clothing that can get tangled in moving parts. Failure to do so could result

in dismemberment or death. **Wear an approved respirator when removing hazardous materials or when grinding/cutting dry materials. Some dust particles such as concrete dust can contain silicate particles which can cause silicosis (a very serious lung disease). Contact NIOSH or OSHA for further details. When wet grinding/cutting, avoid contact with the concrete/asphalt slurry which can cause serious skin irritations.**

- You must maintain this machine per the maintenance schedule in the operator manual. Remember before adjusting, servicing, or fueling this machine, disconnect the source of power to the machine by disconnecting the spark plug (Gas models), or by unplugging the electrical power cord (electric models) or air hose (Pneumatic models) AT THE MACHINE so you can assure yourself it remains unplugged while you are working on it. Do not modify this machine. Use only genuine EDCO parts and accessories. Repairs and service should be performed by approved EDCO dealers or authorized technicians.
- You should look carefully around the area before you begin work so you can identify potential hazards such as deck inserts, pipes, columns, openings, electrical cords or outlets, or any other objects protruding from the slab surface.
- This machine has no brain so you must use your own. There is no substitute for safety. The safety decals on the machine are to serve as a reminder for information you must already know before you begin using this machine. Take a moment to reread the safety decals each time you use the machine. If your machine is missing any decals, contact Discount-equipment for a replacement.

# PARTS LIST MANUAL

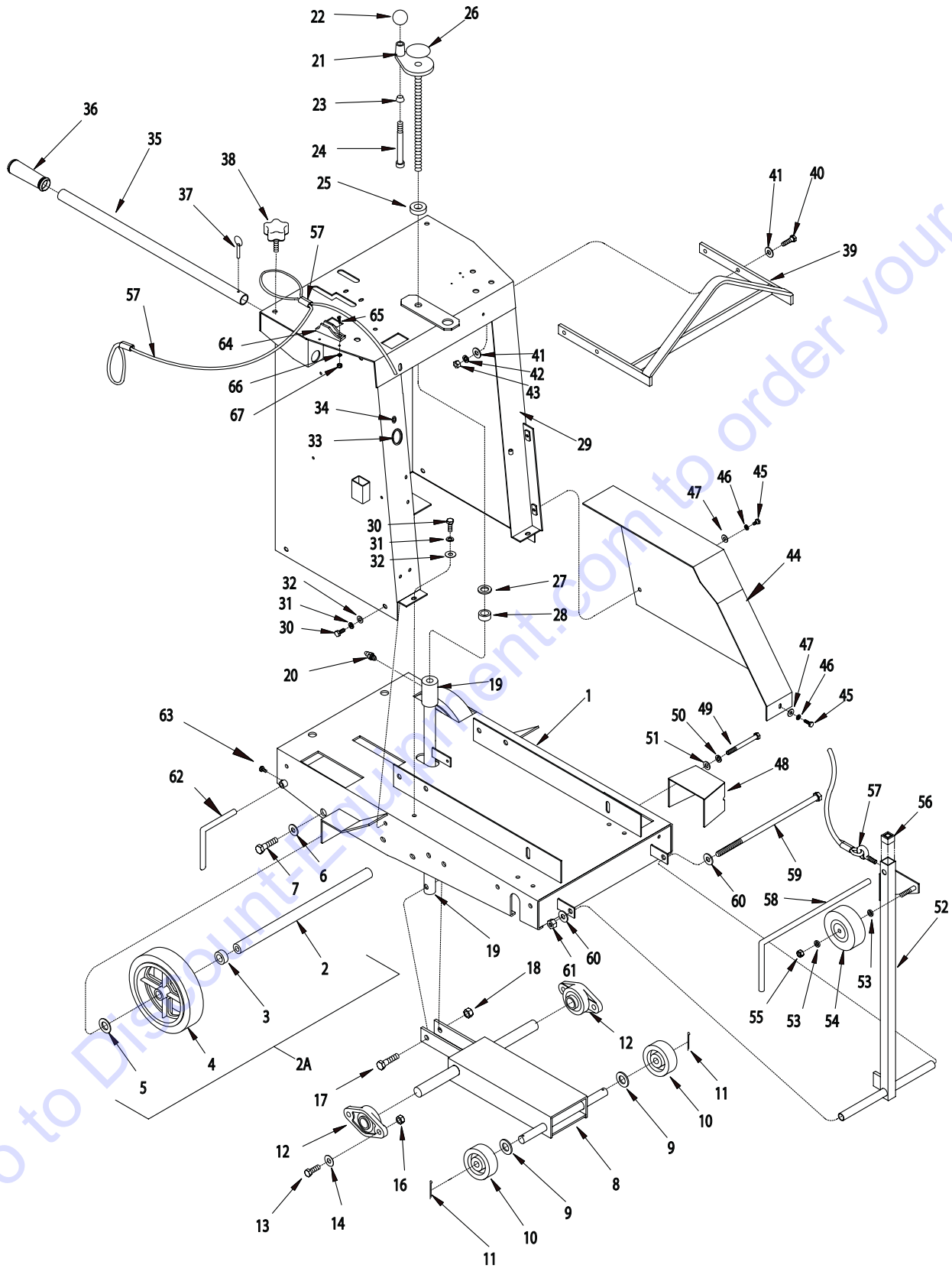
## MODEL SS-20

<u>Section</u>	<u>Page Number</u>
Safety Messages and General Instructions . . . . .	2
How To Order Replacement Parts . . . . .	3
Illustration 1: Frame Grouping . . . . .	4,5
Illustration 2: Arbor & Blade Guard Grouping . . . . .	6,7
Illustration 3: Transmission Grouping . . . . .	8,9
Illustration 4: Honda Engine Grouping . . . . .	10,11
Illustration 5: Kohler Engine Grouping . . . . .	12,13
Illustration 6: Electric Motor Grouping . . . . .	14,15
Illustration 7: Belt Drive Grouping . . . . .	16,17
Illustration 8: Blade Depth Gauge Grouping . . . . .	18,19
Illustration 9: Optional Water Pump Kit . . . . .	20,21
Illustration 10: 20 HP Honda Wiring Diagram . . . . .	22,23
Limited Equipment Warranty . . . . .	Back Page

Go to Discount-Equipment.com to order your parts



ILLUSTRATION 1 : FRAME GROUPING

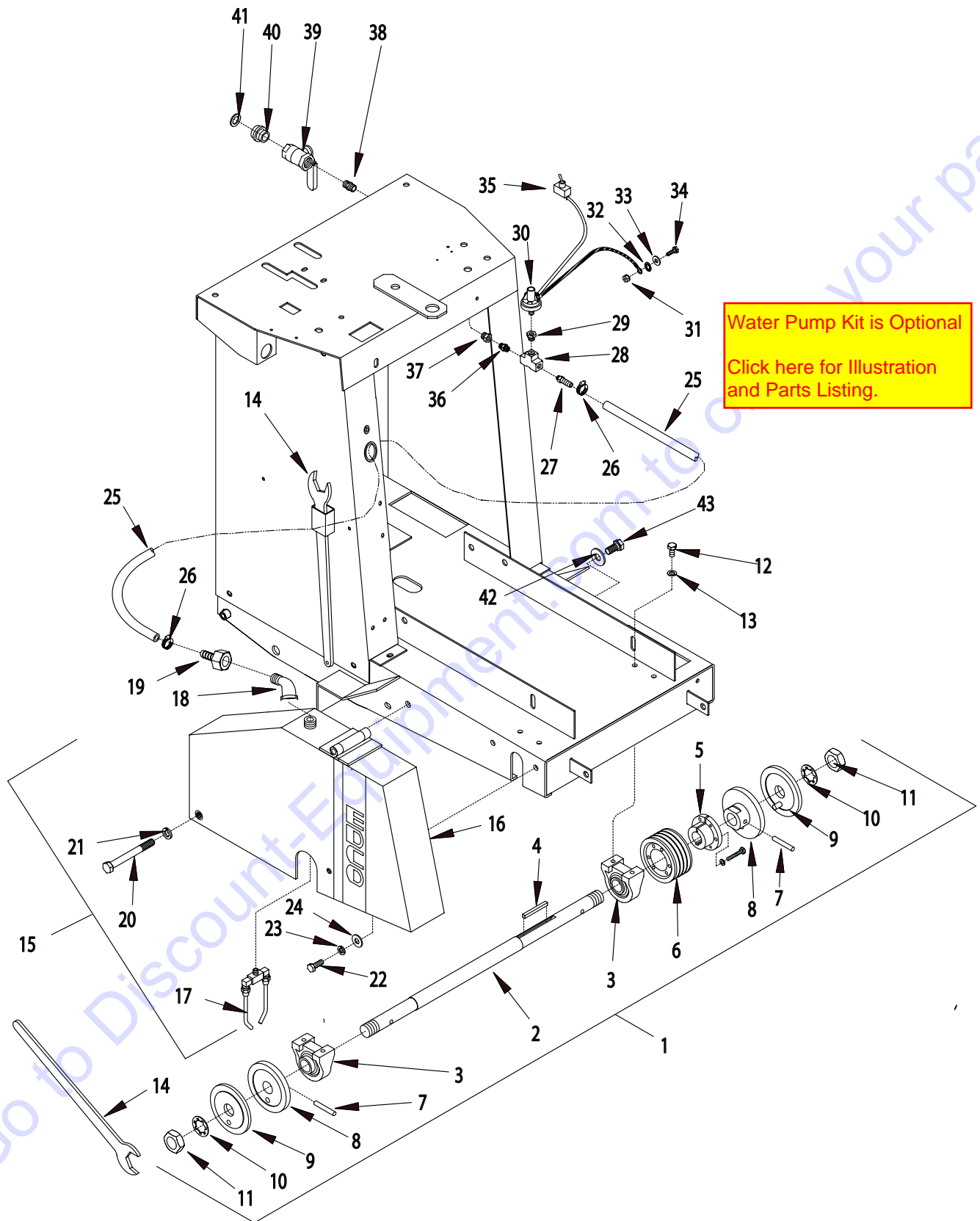


## PARTS LISTING - ILLUSTRATION 1: FRAME GROUPING

ITEM #	PART #	DESCRIPTION	QTY.	ITEM #	PART #	DESCRIPTION	QTY.
1	51268	MAIN FRAME	1	35	51024	HANDLE BAR 24"	2
2A	51267A	AXLE & WHEEL SUBASSY. (INCLUDES ITEMS 2-7)	1	36	10608	GRIP, HAND 1" MODEL AT	2
				37	10145	PIN, DETENT RING 3/16 x 1-5/16 EFF. LG.2	
2	51267	AXLE 3/4DIA. X 17-3/8L	1	38	51230	KNOB,STAR CLAMPING (3/8-16x1 STUD)	2
3	10428	COLLAR, LOCKING 3/4" ID	2	39	51204	BAIL, LIFTING	1
4	51263	WHEEL 8 X 2 X 3/4"BRG, SBR RUBBER	2	40	10021	SCREW, CAP 3/8-24 x 1	4
5	11597	WASHER .755"ID X 1.25"OD X .060"THK	2	41	10025	WASHER, FLAT 3/8	8
6	10045	WASHER, LOCK 1/2	2	42	10811	WASHER, LOCK 3/8	4
7	10304	SCREW, CAP 1/2-20 X 1	2	43	10014	NUT 3/8-24	4
8	51202	FORK	1	44	51205	COVER, BELT - GASOLINE(SHOWN)	1
9	10009	WASHER, FLAT 3/4	2		51249	COVER, BELT - ELECTRIC	
10	52001	WHEEL 4 x 1-1/2 x 3/4" BRG., ALUM./RUB.	2	45	10018	SCREW, CAP 1/4-20 x 3/4	3
11	10306	PIN, COTTER 3/16 x 1-1/4	2	46	10038	WASHER, LOCK 1/4	3
12	62022	BEARING, BALL 1" 2-HOLE FLANGE	2	47	10602	WASHER, FLAT 1/4	3
13	10003	SCREW, CAP 7/16-20 x1-1/4	4	48	51206	COVER, ARBOR	1
14	10062	WASHER, FLAT 7/16	4	49	10318	SCREW, CAP 3/8-16 x 3-3/4	2
16	10153	NUT, HEX NYLON LOCK 7/16-20	4	50	10811	WASHER, LOCK 3/8	2
17	10347	SCREW, CAP 1/2-20 x 2-1/4	1	51	10025	WASHER, FLAT 3/8	2
18	10205	NUT, LOCK 1/2-20	1	52	56210	GUIDE BAR	1
19	51220	LINKAGE, CUT CONTROL	1	53	10025	WASHER, FLAT 3/8	2
20	10808	FITTING, GREASE 1/4-28 STRAIGHT	1	54	50024	WHEEL 4 x 1-3/8 x 3/8 BORE	1
21	51075	HANDWHEEL, LG. w/ 5/8-8 x 13" ROD	1	55	10152	NUT, HEX NYLON LOCK 3/8-24	1
22	14023	KNOB, BALL 1-3/8 DIA. w/ 1/2-13 THD.	1	56	51078	PLUG, SQ. TUBE 1 x 14 GA.	1
23	50550	SLEEVE FOR 1/2" CAPSCREW, TAPERED	1	57	51260	ROPE, GUIDE BAR (INCLUDES EYE BOLTS)	1
24	10346	SCREW, SKT. HD. 1/2-13 x 4-1/2	1	58	51012	GUIDE POINTER, FRONT	1
25	85005	BEARING, THRUST BALL 5/8	1	59	10421	SCREW, CAP 1/2-13 x 13	1
26	61106	DECAL, CUT CONTROL ( LARGE ) DN/UP	1	60	10312	WASHER, FLAT 1/2 SAE	2
27	10073	WASHER, FLAT 5/8	1	61	10407	NUT, LOCK 1/2-13	1
28	10096	COLLAR, LOCKING 5/8" ID	1	62	51011	GUIDE POINTER, REAR	1
29	51203	CONSOLE	1	63	10834	SCREW, CAP 1/4-20 x 1/2	2
30	10053	SCREW, CAP 5/16-18 x 3/4	8	64	11591	ROPE CLEAT, NYLON JAM 3/16"-5/16"	1
31	10801	WASHER, LOCK 5/16	8	65	11594	SCREW, MACHINE 10-32 X 5/8, SLT.FLT	2
32	10213	WASHER, FLAT 5/16	8	66	10831	WASHER, LOCK, INT. TOOTH #10	2
33	51253	GROMMET 1-45/64ID X 1/8GRV. X 2GD	1	67	10832	NUT 10-32	2
34	57148	GROMMET 3/8"ID x 1/8"GRV. x 5/8"GD	1				



ILLUSTRATION 2 : ARBOR & BLADE GUARD GROUPING



Water Pump Kit is Optional  
Click here for Illustration  
and Parts Listing.

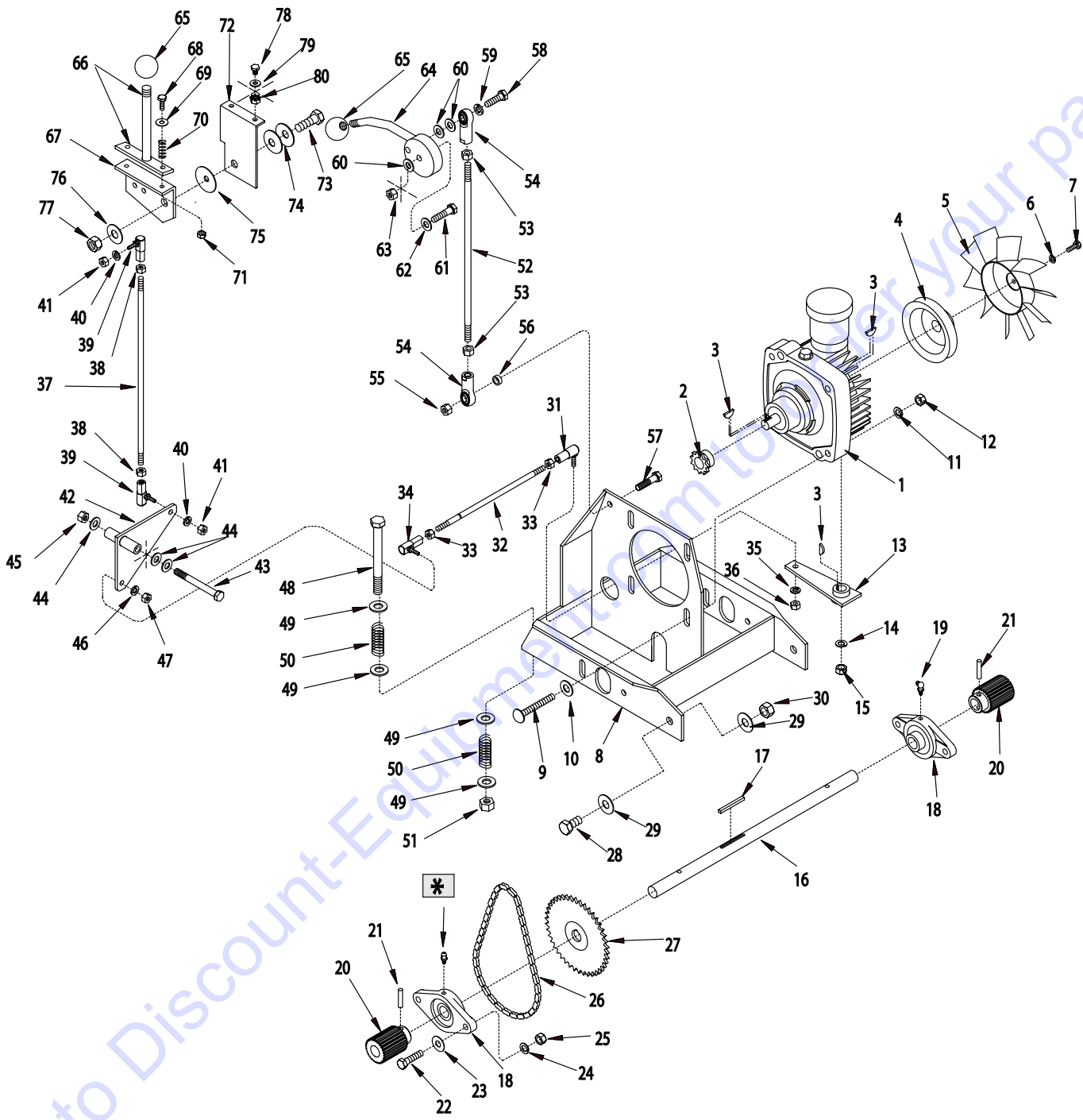


**PARTS LISTING - ILLUSTRATION 2 : ARBOR & BLADE GUARD GROUPING**

ITEM #	PART #	DESCRIPTION	QTY.	ITEM #	PART #	DESCRIPTION	QTY.
1	56208C	ARBOR ASSEMBLY (INCLUDES ITEMS 2 THRU 11)	1	22	10055	SCREW, CAP 3/8-16 x 1	1
2	56208	ARBOR SHAFT 23-3/8" L	1	23	10811	WASHER, LOCK 3/8	1
3	50222	BEARING, BALL 1" TAP PILLOW BLOCK	2	24	10025	WASHER, FLAT 3/8	1
4	10071	KEY 1/4" SQ. x 2-1/2	1	25	51222	HOSE, WATER 3/8" ID x 45" L	1
5	10076	BUSHING, SHEAVE SH x 1" BORE	1	26	50069	CLAMP, HOSE, SAE #6, ADJ. TO 13/16"	2
6	10504	SHEAVE 3.65" OD x 4Gr. 3V x SH	1	27	50075	BARB, 3/8" HOSE x 1/4 MPT (BRASS)	1
7	10211	PIN, ROLL 5/16 x 2	2	28	10719	PIPE TEE, FEMALE 1/4 NPT (BRASS)	1
8	56026	ARBOR BACKING PLATE 4" DIA.	2	29	10718	BUSHING, HEX 1/4 x 1/8 NPT (BRASS)	1
9	56025	ARBOR BLADE RETAINING CAP 4" OD w/ 1" HOLE	2	30	51030	SWITCH, PRESSURE, MAG. IGN. 76061-2 NC (GAS UNITS ONLY)	1
10	55009	WASHER, LOCK, INTERNAL TOOTH 1"	2	31	10861	NUT, KEPS 1/4-20	1
11	50019	NUT, JAM 1-14	2	32	10451	WASHER, LOCK, INT. TOOTH 1/4"	1
12	10907	SCREW, CAP 3/8-16 x 3/4	4	33	10602	WASHER, FLAT 1/4	1
13	10811	WASHER, LOCK 3/8	4	34	10018	SCREW, CAP 1/4-20 x 3/4	1
14	50445	WRENCH, ARBOR 1-1/2	2	35	10633	SWITCH, TOGGLE SPST (GAS ONLY)	1
15	51207C	BLADE GUARD SUBASSEMBLY (INCLUDES ITEMS 16 THRU 19)	1	36	10717	NIPPLE, HEX 1/4 NPT (BRASS)	1
16	51207	GUARD, BLADE 14 - 20"	1	37	51236	BUSHING, HEX 1/2 x 1/4 NPT (BRASS)	1
17	51026	NOZZLE, COOLANT	1	38	10679	NIPPLE, HEX 1/2 NPT (BRASS)	1
18	10724	ELBOW, STREET 1/2 NPT x 90° (BLACK)	1	39	10711	VALVE, BALL 1/2 FPT	1
19	10729	BARB, 3/8" HOSE x 1/2 FPT	1	40	80021	CONN., SWIVEL FEMALE 3/4 HOSE x 1/2 MPT	1
20	10409	SCREW, CAP 1/2-20 x 4-1/2	1	41	10070	WASHER, HOSE 3/4	1
21	10045	WASHER, LOCK 1/2	1	42	10312	WASHER, FLAT 1/2	1
				43	10304	SCREW, CAP 1/2-20 x 1	1



ILLUSTRATION 3 : TRANSMISSION GROUPING



\* STRAIGHT GREASE FITTING INCLUDED W/ BEARING

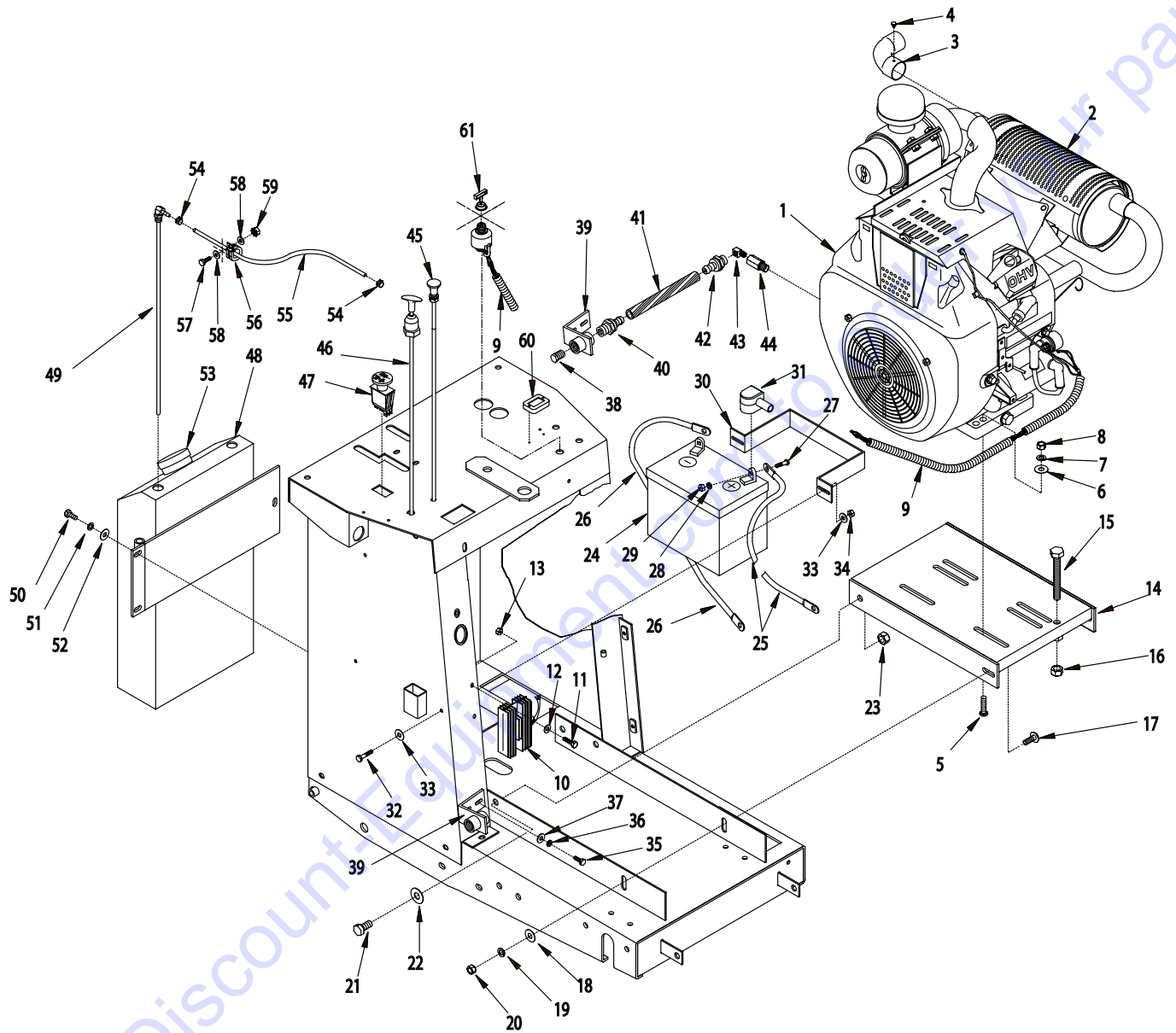


**PARTS LISTING - ILLUSTRATION 3: TRANSMISSION GROUPING**

ITEM #	PART #	DESCRIPTION	QTY.	ITEM #	PART #	DESCRIPTION	QTY.
1	50061	TRANSMISSION, HYDROSTATIC	1	41	10424	NUT 5/16-24	2
2	50048	SPROCKET #3511 x .67" BORE	1	42	51214	BELL CRANK, DRIVE LINKAGE	1
3	50071	KEY, WOODRUFF 1/8 x 1/2 (#404)	3	43	10382	SCREW, CAP 3/8-24 x 3-1/2	1
4	50062	SHEAVE, HYD.TRANS.4"OD x 1Gr.x.671B	1	44	10025	WASHER, FLAT 3/8	3
5	50266	FAN BLADE w/ PLATE 7", TRANSMISSION	1	45	10004	NUT, LOCK 3/8-24	1
6	10038	WASHER, LOCK 1/4	1	46	10801	WASHER, LOCK 5/16	1
7	10018	SCREW, CAP 1/4-20 x 3/4	1	47	10424	NUT 5/16-24	1
8	51209	MOUNT, TRANSMISSION	1	48	10376	SCREW, CAP 1/2-13 x 5	2
9	10909	BOLT, CARRIAGE 3/8-16 x 3	4	49	10312	WASHER, FLAT 1/2	8
10	10040	WASHER, GARRET 17/32 X 1 X .054	4	50	51035	SPRING, COMP. .828" OD x 2" FL	4
11	10811	WASHER, LOCK 3/8	4	51	10407	NUT, LOCK 1/2-13	2
12	10404	NUT 3/8-16	4	52	51216	LINKAGE, ROD 3/8 x 13" L	1
13	51223	TRANSMISSION CONTROL ARM	1	53	10014	NUT, 3/8-24	2
14	10811	WASHER, LOCK 3/8	1	54	10919	ROD END, FEMALE 3/8-24	2
15	10404	NUT 3/8-16	1	55	10004	NUT, LOCK 3/8-24	1
16	51217	JACKSHAFT 3/4 X 17" DIA.	1	56	10113	SPACER 9/16 OD x 3/8 ID x 7/32	1
17	10168	KEY 3/16" SQ. x 2	1	57	10309	SCREW, CAP 3/8-24 x 1-1/4	1
18	50049	BEARING, BALL 3/4" 2-HOLE FLANGE	2	58	10309	SCREW, CAP 3/8-24 x 1-1/4	1
19	10961	GREASE FITTING 1/4-28 x 90	1	59	10811	WASHER, LOCK 3/8	1
20	51264	DRIVER, REAR WHEEL, 1-5/8"OD 25T	2	60	10025	WASHER, FLAT 3/8	3
21	10024	PIN, ROLL 1/4" x 1-1/4"	2	61	10816	SCREW, CAP 3/8-24 x 1-1/2	1
22	10309	SCREW, CAP 3/8-24 X 1-1/4 PLATED	4	62	10025	WASHER, FLAT 3/8	2
23	10025	WASHER, FLAT 3/8	4	63	10004	NUT, LOCK 3/8-24	1
24	10811	WASHER, LOCK 3/8	4	64	51215	LEVER, CLUTCH	1
25	10014	NUT 3/8-24	4	65	14023	KNOB, BALL 1-3/8 W/ 1/2-13THD, BLK.	2
26	51266	CHAIN #35 X 24-1/2 + OL + CL	1	66	51210	LEVER, DRIVE	1
27	51265	SPROCKET #35B54 X 3/4"BORE W/ KW	1	67	51235	PLATE, DRIVE LEVER PRESSURE	1
28	10304	SCREW, CAP 1/2-20 x 1	1	68	10315	SCREW, CAP 1/4-20 X 1-1/2	2
29	10312	WASHER, FLAT 1/2	2	69	10602	WASHER, FLAT 1/4	2
30	10205	NUT, LOCK 1/2-20	1	70	57471	SPRING, COMP. .468"OD X 1.25"FL	2
31	10840	BALL JOINT ASSY. 5/16-24 R.H. THRD.	1	71	10015	NUT, LOCK 1/4-20	2
32	51213	LINKAGE, ROD 5/16 x 9" L	1	72	51211	MOUNT BRACKET, DRIVE LEVER	1
33	10424	NUT 5/16-24	2	73	10321	SCREW, CAP 1/2-20 x 1-1/4	1
34	10840L	BALL JOINT ASSY. 5/16-24 L.H. THRD.	1	74	10426	WASHER, BELLEVILLE 1/2ID X 3/64THK	2
35	10801	WASHER, LOCK 5/16	1	75	50428	WASHER, FIBER, 2-1/4 x 1/2 x 1/8	1
36	10424	NUT 5/16-24	1	76	10312	WASHER, FLAT 1/2 SAE	1
37	51212	LINKAGE, ROD 5/16 x 13" L	1	77	10205	NUT, LOCK 1/2-20	1
38	10424	NUT 5/16-24	2	78	10018	SCREW, CAP 1/4-20 x 3/4	2
39	10840	BALL JOINT ASSY. 5/16-24 R.H. THRD.	2	79	10602	WASHER, FLAT 1/4	2
40	10801	WASHER, LOCK 5/16	2	80	10150	NUT, HEX NYLON LOCK 1/4-20	2



ILLUSTRATION 4 : HONDA ENGINE GROUPING



**PARTS LISTING - ILLUSTRATION 4: HONDA ENGINE GROUPING**

ITEM #	PART #	DESCRIPTION	QTY.	ITEM #	PART #	DESCRIPTION	QTY.
1	15056	ENGINE, HONDA 20HP GX620-K1TZF2	1	31	11583	INSULATOR, BAT.TERM. U-1 STYLE(RED)	1
		<i>REPLACEMENT PARTS INCLUDE:</i>		32	10905	SCREW, CAP 1/4-20 x 1-1/4	2
	15135	ELEMENT, AIR FILTER, HONDA GX620		33	10602	WASHER, FLAT 1/4	4
	15145	FILTER, OIL, HONDA GX620		34	10150	NUT, HEX NYLON LOCK 1/4-20	2
	15146	FILTER, FUEL, HONDA GX620		35	10018	SCREW, CAP 1/4-20 x 3/4	2
2	15168	MUFFLER, HONDA VHRM3	1	36	10038	WASHER, LOCK 1/4	2
3	51224	ELBOW, SOLDER JOINT 1-1/4 x 90°	1	37	10602	WASHER, FLAT 1/4	2
4	10877	SCREW, CAP STSHW 10-24 X 1/2	1	38	50552	PLUG, PIPE 1/2" NPT (BRASS)	1
5	10087	BOLT, CARRIAGE 3/8-16 x 1-3/4	4	39	57159	BRACKET, OIL DRAIN	1
6	10025	WASHER, FLAT 3/8	4	40	80061	BARB, PUSH-ON, 1/2" HOSE x 1/2 MPT	1
7	10811	WASHER, LOCK 3/8	4	41	51237	HOSE, PUSH-ON 1/2" ID x 7" L	1
8	10404	NUT 3/8-16	4	42	11579	BARB, PUSH-ON 1/2HOSE X 1/4MPT	1
9	51242	LOOM, WIRE FLEX 5/8 x 55"L	1	43	10716	ELBOW, STREET 1/4NPT X 45 (BRASS)	1
10	-----	RECTIF./REGULATOR (INCL.w/ ENG.)	1	44	11533	FITTING, ADAPTER 6-M14 x 1.5 to	1
11	10031	SCREW, CAP 1/4-20 x 1	2			1/4-18 MPT	
12	10602	WASHER, FLAT 1/4	4	45	15129	CABLE, CHOKE 72" (TRIM TO 36")	1
13	10150	NUT, HEX NYLON LOCK 1/4-20	2	46	51081	CABLE, TURN-TO-LOCK CONTROL 72"	1
14	51208	MOUNT, ENGINE	1			(TRIM TO 36")	
15	10392	BOLT, TAP 1/2-13 x 4 (FULL THREAD)	1	47	51225	SWITCH, EMERGENCY STOP	1
16	10417	NUT 1/2-13	1	48	51221	GAS TANK, 3 GAL. (INCL. ITEM # 53)	1
17	10802	BOLT, CARRIAGE 3/8-16 x 1	2	49	61058	TUBE, FUEL PICK-UP, 19"	1
18	10025	WASHER, FLAT 3/8	2	50	10053	SCREW, CAP 5/16-18 x 3/4	3
19	10811	WASHER, LOCK 3/8	2	51	10801	WASHER, LOCK 5/16	3
20	10404	NUT 3/8-16	2	52	10213	WASHER, FLAT 5/16	3
21	10304	SCREW, CAP 1/2-20 x 1"	2	53	61056	CAP, GAS TANK	1
22	10312	WASHER, FLAT 1/2	2	54	10762	CLAMP, HOSE SPRING-TYPE3/8" (GREEN)	2
23	10205	NUT, LOCK 1/2-20	2	55	51273	HOSE, FUEL 1/4" x 25" L	1
24	84011	BATTERY, 12 VOLT/300 CCA	1	56	11565	CLAMP, LOOM 5/8"	1
25	61064	CABLE, EYE-EYE 4Ga.x40"RED(POS.)	1	57	10018	SCREW, CAP 1/4-20 x 3/4	1
26	51233	CABLE, EYE-EYE 6Ga.x 20"BLACK(NEG.)	1	58	10602	WASHER, FLAT 1/4	2
27	10818	BOLT, CARRIAGE 5/16-18 x 3/4	2	59	10861	NUT, KEPS 1/4-20	1
28	10801	WASHER, LOCK 5/16	2	60	15138	METER, HOUR, REDINGTON INDUCTIVE	1
29	10054	NUT 5/16-18	2	61	-----	SWITCH, KEY, HONDA	1
30	50091	CLAMP, BATTERY HOLD-DOWN	1				



# PARTS FINDER

**Search Website  
by Part Number**



**Search Manual  
Library For Parts  
Manual & Lookup Part  
Numbers – Purchase  
or Request Quote**

**Search Manuals**

Enter your information to help us find the right parts manual for your machine.

\* Brand:

\* Model:

\* Serial:

\* Part Number:

SEARCH

**Can't Find Part or  
Manual? Request Help  
by Manufacturer,  
Model & Description**

**Parts Order Form**

Please fill in the following information to help us find the right part for your machine.

Manufacturer:	<input type="text"/>
Model:	<input type="text"/>
Description:	<input type="text"/>
Part Number:	<input type="text"/>
Quantity:	<input type="text"/>
Notes:	<input type="text"/>

Submit

Discount-Equipment.com is your online resource for quality parts & equipment.

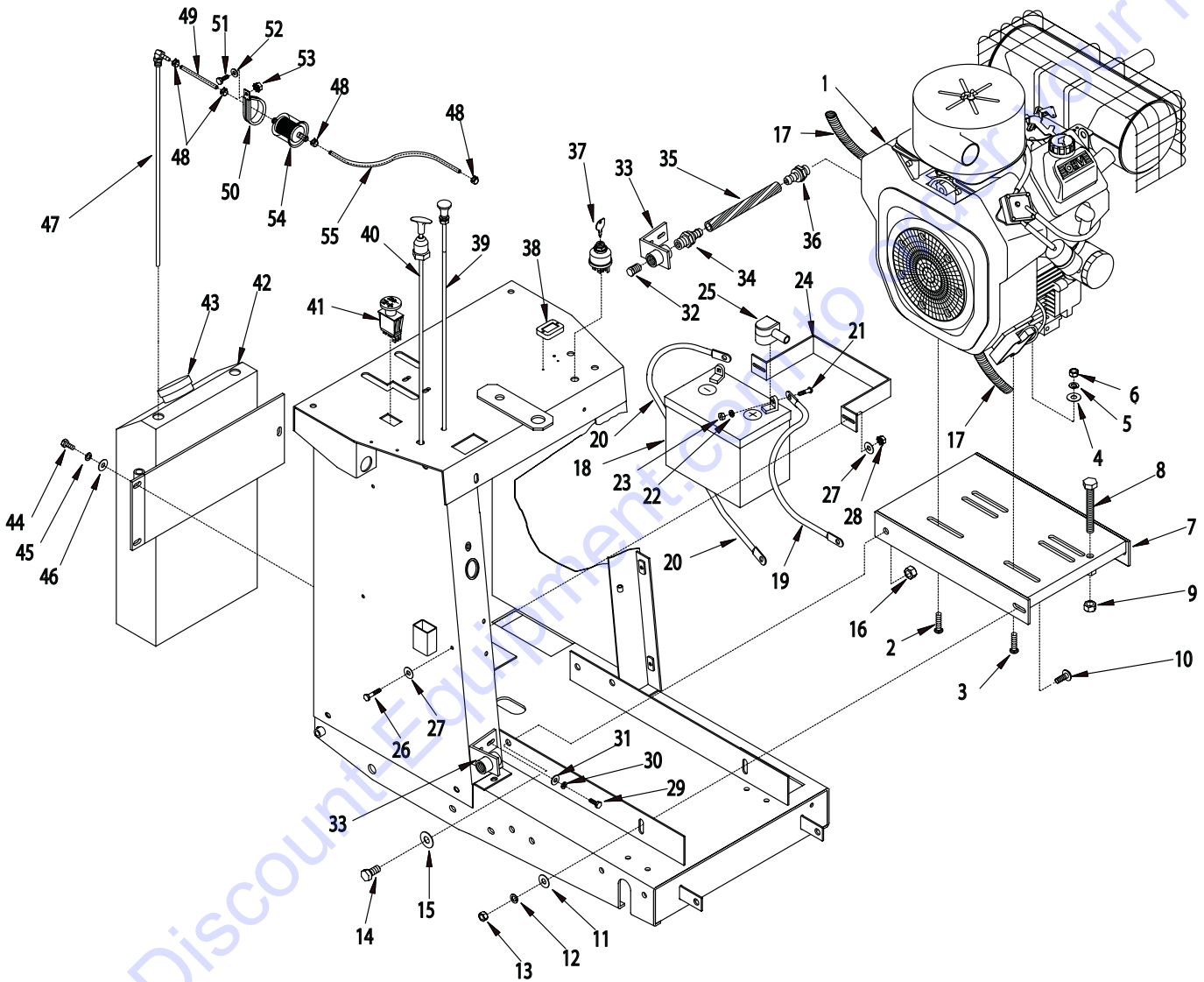
Florida: **561-964-4949** Outside Florida TOLL FREE: **877-690-3101**

**Need parts?**

Click on this link: <http://www.discount-equipment.com/category/5443-parts/> and choose one of the options to help get the right parts and equipment you are looking for. Please have the machine model and serial number available in order to help us get you the correct parts. If you don't find the part on the website or on one of the online manuals, please fill out the request form and one of our experienced staff members will get back to you with a quote for the right part that your machine needs.

We sell worldwide for the brands: Genie, Terex, JLG, MultiQuip, Mikasa, Essick, Whiteman, Mayco, Toro Stone, Diamond Products, Generac Magnum, Airman, Haulotte, Barreto, Power Blanket, Nifty Lift, Atlas Copco, Chicago Pneumatic, Allmand, Miller Curber, Skyjack, Lull, Skytrak, Tsurumi, Husquvarna Target, Stow, Wacker, Sakai, Mi-T-M, Sullair, Basic, Dynapac, MBW, Weber, Bartell, Bennar Newman, Haulotte, Ditch Runner, Menegotti, Morrison, Contec, Buddy, Crown, Edco, Wyco, Bomag, Laymor, EZ Trench, Bil-Jax, F.S. Curtis, Gehl Pavers, Heli, Honda, ICS/PowerGrit, IHI, Partner, Imer, Clipper, MMD, Koshin, Rice, CH&E, General Equipment, Amida, Coleman, NAC, Gradall, Square Shooter, Kent, Stanley, Tamco, Toku, Hatz, Kohler, Robin, Wisconsin, Northrock, Oztec, Toker TK, Rol-Air, APT, Wylie, Ingersoll Rand / Doosan, Innovatech, Con X, Ammann, Mecalac, Makinex, Smith Surface Prep, Small Line, Wanco, Yanmar

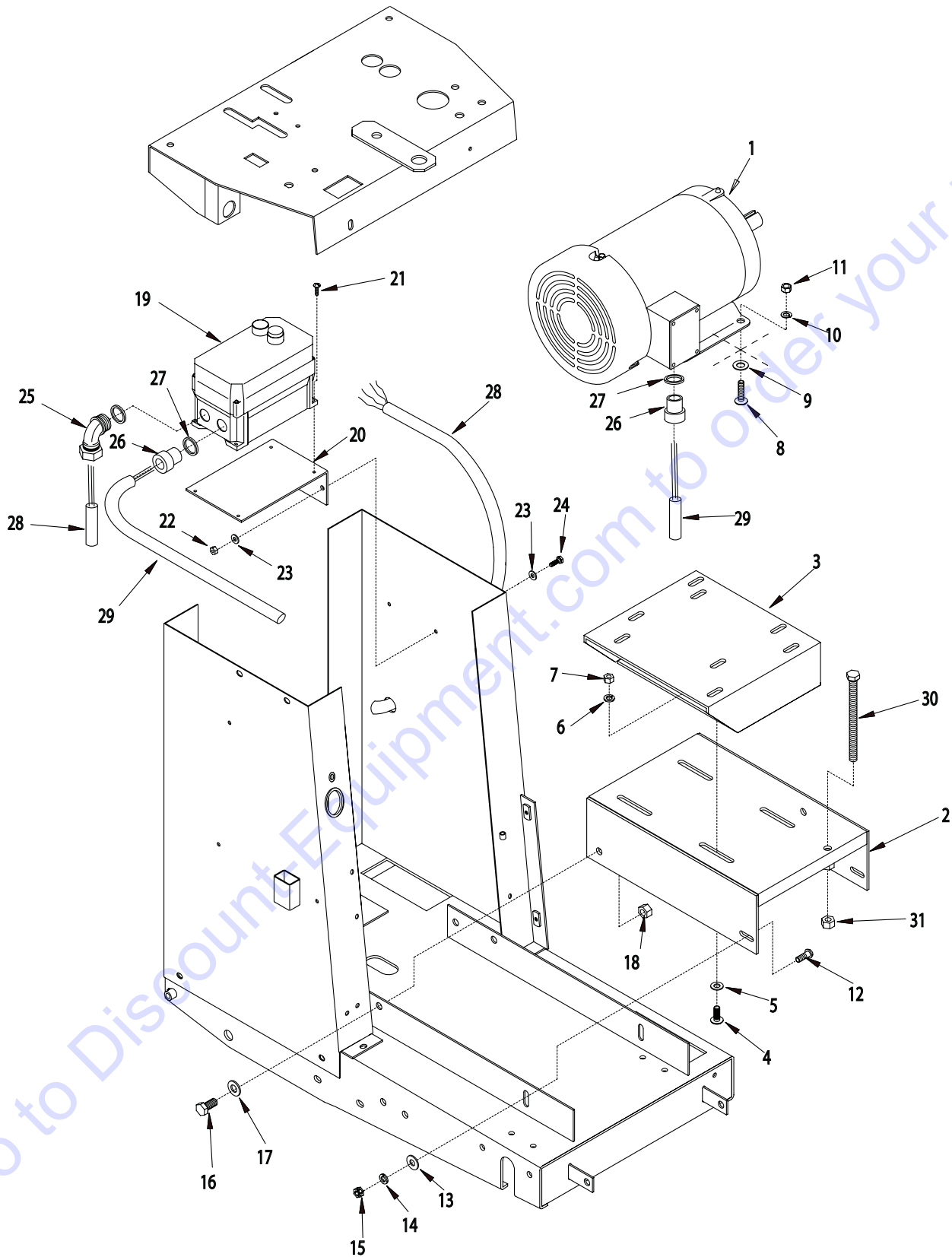
ILLUSTRATION 5 : KOHLER ENGINE GROUPING



## PARTS LISTING - ILLUSTRATION 5: KOHLER ENGINE GROUPING

ITEM #	PART #	DESCRIPTION	QTY.	ITEM #	PART #	DESCRIPTION	QTY.
1	15037	ENGINE, KOHLER COMMAND 20HP	1	29	10018	SCREW, CAP 1/4-20 x 3/4	2
2	10917	BOLT, CARRIAGE 3/8-16 x 2	1	30	10038	WASHER, LOCK 1/4"	2
3	10087	BOLT, CARRIAGE 3/8-16 x 1-3/4	3	31	10602	WASHER, FLAT 1/4"	2
4	10025	WASHER, FLAT 3/8	2	32	50552	PLUG, PIPE 1/2" NPT (BRASS)	1
5	10811	WASHER, LOCK 3/8	4	33	57159	BRACKET, OIL DRAIN	1
6	10404	NUT 3/8-16	4	34	80061	BARB, PUSH-ON, 1/2 HOSE x 1/2 MPT	1
7	51208	MOUNT, ENGINE	1	35	51244	HOSE, PUSH-ON 1/2" ID x 9 1/2" L	1
8	10392	BOLT, TAP 1/2-13 x 4 (FULL THREAD)	1	36	50554	BARB, PUSH-ON, 1/2" HOSE x 3/8 MPT	1
9	10417	NUT 1/2-13	1	37	10650	SWITCH, KEY, KOHLER	1
10	10802	BOLT, CARRIAGE 3/8-16 x 1	2	38	15138	METER, HOUR, REDINGTON INDUCTIVE	1
11	10025	WASHER, FLAT 3/8	2	39	15129	CABLE, CHOKE 72" (TRIM TO 30")	1
12	10811	WASHER, LOCK 3/8	2	40	51081	CABLE, TURN-TO-LOCK CONTROL 72" (TRIM TO 32")	1
13	10404	NUT 3/8-16	2	41	51225	SWITCH, EMERGENCY STOP	1
14	10304	SCREW, CAP 1/2-20 x 1"	2	42	51221	GAS TANK, 3 GAL.(INCL. ITEM # 43)	1
15	10312	WASHER, FLAT 1/2	2	43	61056	CAP, GAS TANK	1
16	10205	NUT, LOCK 1/2-20	2	44	10053	SCREW, CAP 5/16-18 x 3/4	3
17	51243	LOOM, WIRE FLEX 5/8 x 52"L	1	45	10801	WASHER, LOCK 5/16	3
18	84011	BATTERY, 12 VOLT/ 300 CCA	1	46	10213	WASHER, FLAT 5/16	3
19	61064	CABLE, EYE-EYE 4Ga.x40" RED(POS.)	1	47	61058	TUBE, FUEL PICK-UP, 19"	1
20	50117B	CABLE, EYE-EYE 4Ga.x24"BLK(NEG)	1	48	10762	CLAMP, HOSE SPRING-TYPE 3/8"(GREEN)	4
21	10818	BOLT, CARRIAGE 5/16-18 x 3/4	2	49	51245	HOSE, FUEL 1/4"ID x 11" L	1
22	10801	WASHER, LOCK 5/16	2	50	11566	CLAMP, LOOM 1-3/4"	1
23	10054	NUT 5/16-18	2	51	10018	SCREW, CAP 1/4-20 x 3/4	1
24	50091	CLAMP, BATTERY HOLD-DOWN	1	52	10602	WASHER, FLAT 1/4	1
25	10928	INSULATOR, BAT. TERM. POS. (RED)	1	53	10861	NUT, KEPS 1/4-20	1
26	10031	SCREW, CAP 1/4-20 x 1"	2	54	15116	FILTER, FUEL 1/4" IN LINE	1
27	10602	WASHER, FLAT 1/4	4	55	51246	HOSE, FUEL 1/4" ID x 15'L	1
28	10150	NUT, HEX NYLON LOCK 1/4-20	2				

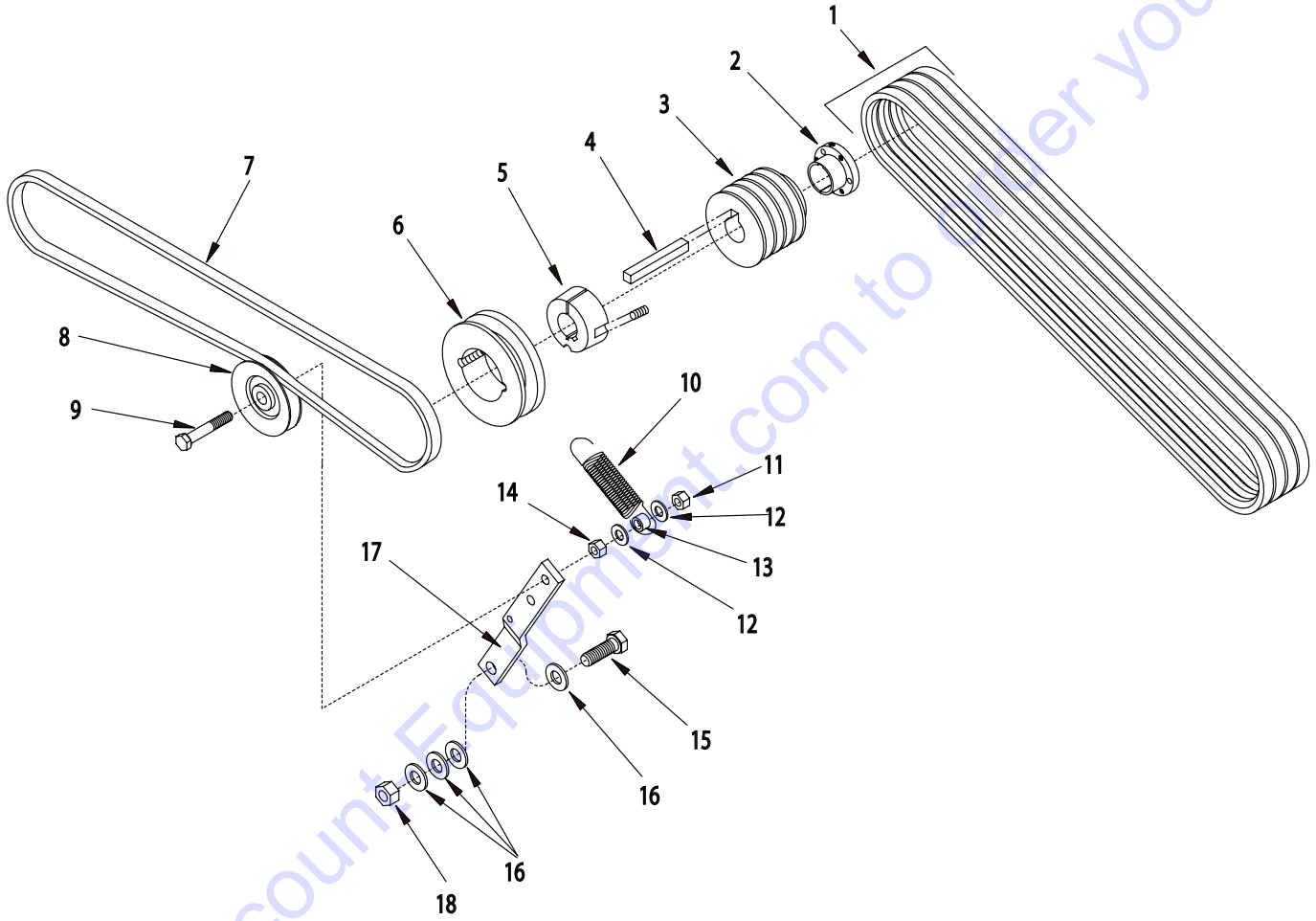
**ILLUSTRATION 6: ELECTRIC MOTOR GROUPING**





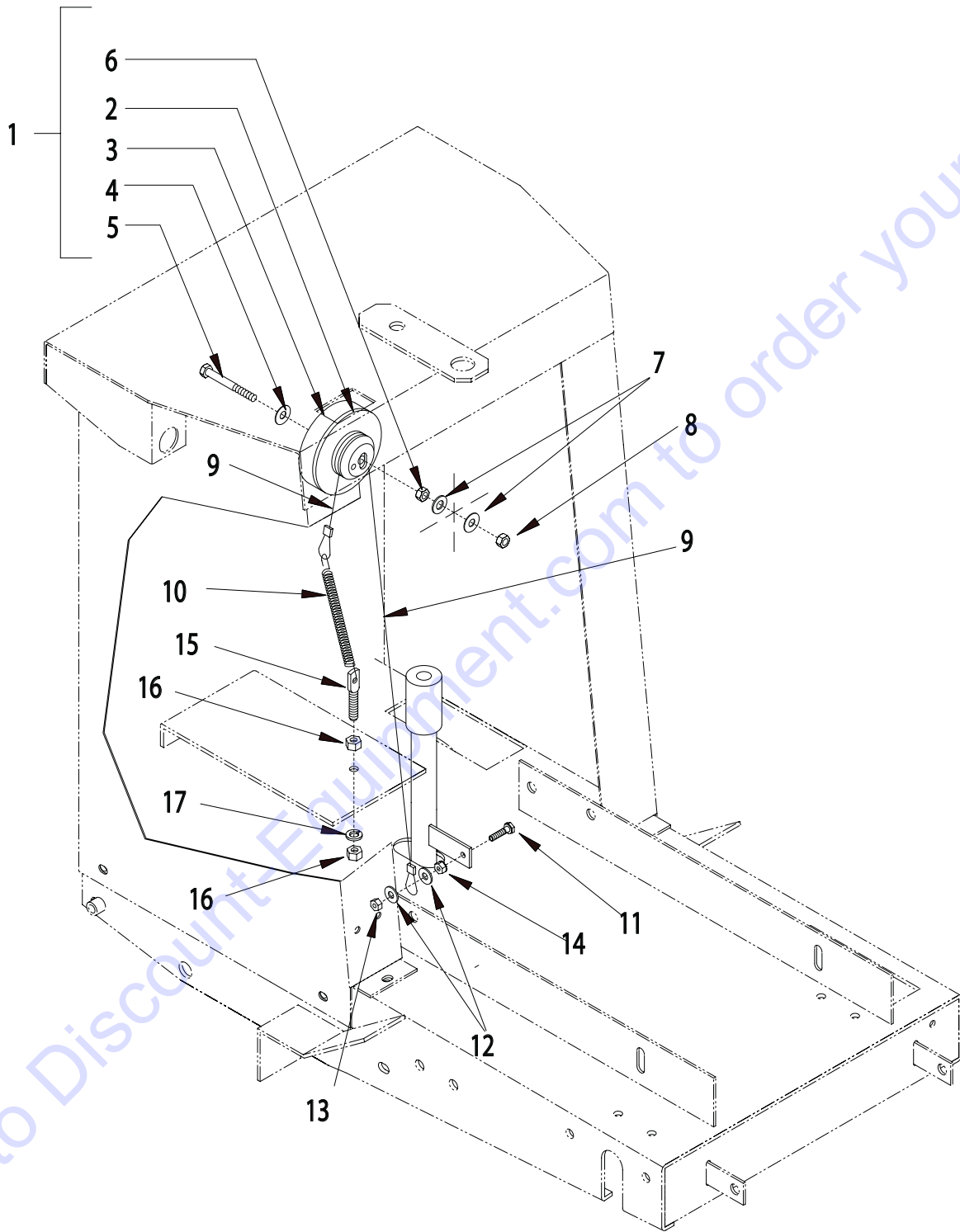
<b>PARTS LISTING - ILLUSTRATION 6: ELECTRIC MOTOR GROUPING</b>			
ITEM #	PART #	DESCRIPTION	QTY.
1		MOTOR, BALDOR	1
	16002	7.5HP-3P 60HZ 3450RPM	
	16004	10HP-3PH 60HZ 3450RPM	
2	51314	MOUNT, MOTOR	1
3	51248	MOUNT SPACER, MOTOR	1
4	10802	BOLT, CARRIAGE 3/8-16 X 1 FULL THD.	4
5	10025	WASHER, FLAT 3/8 SAE	4
6	10811	WASHER, LOCK 3/8	4
7	10404	NUT 3/8-16	4
8	10804	BOLT, CARRIAGE 3/8-16 X 1-1/2 F.T.	4
9	10040	WASHER, GARRET 17/32 X 1 X .054	4
10	10811	WASHER, LOCK 3/8	4
11	10404	NUT 3/8-16	4
12	10802	BOLT, CARRIAGE 3/8-16 X 1 FULL THD.	2
13	10025	WASHER, FLAT 3/8 SAE	2
14	10811	WASHER, LOCK 3/8	2
15	10404	NUT 3/8-16	2
16	10304	SCREW, CAP 1/2-20 X 1	2
17	10312	WASHER, FLAT 1/2 SAE	2
18	10205	NUT, LOCK 1/2-20	2
19		STARTER	1
	16412	11-M1-BRF-P23-23-46060	
	16404	11-M2-BRF-P32-33-23060	
20	41133	MOUNT, STARTER	1
21	10833	SCREW, MACHINE 10-32 X 3/4	4
22	10015	NUT, LOCK 1/4-20	2
23	10602	WASHER, FLAT 1/4 SAE	4
24	10018	SCREW, CAP 1/4-20 X 3/4	2
25	11664	STRAIN RELIEF 3/4" 90° .650-.750"	1
26	41053	STRAIN RELIEF 1/2NPT X .625-.750"	3
27	10790	CONDUIT LOCK NUT 1/2 NP	3
28	64064	WIRE HARNESS 10/4 X 42"LOA	1
29		PLUG	1
30	64065	WIRE HARNESS 10/4 X 35"LOA (USE W/ 16412 STARTER)	1
	51274	WIRE HARNESS 10/4 X 56"LOA (USE W/ 16404 STARTER)	1
31	51067	BOLT, ALLTHREAD ROD 1/2-13 X 7	1
32	10417	NUT 1/2-13	1

ILLUSTRATION 7: BELT DRIVE GROUPING



PARTS LISTING: ILLUSTRATION 7: BELT DRIVE GROUPING			
ITEM #	PART #	DESCRIPTION	QTY.
1	10201	BELT 3VX-335 (HONDA 20HP)	4
	10276	BELT 3VX-355 (KOHLER COMMAND 20HP)	4
	10228	BELT 3VX-450 (BALDOR 10HP/3PH)	4
	10228	BELT 3VX-450 (BALDOR 7.5HP/3PH)	3
2	10533	BUSHING, SHEAVE JA x 1-1/8" BORE (HONDA ONLY)	1
3	64037	SHEAVE 2.8"OD x 4 Gr. 3V x JA (HONDA)	1
	64036	SHEAVE 2.8"OD x 4Gr.3V x 1-7/16"B (KOHLER)	1
4	-----	KEY, INCLUDED w/ BUSHING (HONDA)	1
	51247	KEY 3/8" SQ. x 3 (KOHLER)	1
5	10529	BUSHING, SHEAVE TAPER-LOCK, HONDA 1-1/8" BORE	1
	10531	BUSHING, SHEAVE TAPER-LOCK 1610, KOHLER 1-7/16" BORE	1
6	10528	SHEAVE, 4.15" OD x 1 Gr.AB x TAPER-LOCK	1
7	51234	BELT A-47 (HONDA-REFER TO NAME PLATE ON MACH.)	1
	10203	BELT A-46 (KOHLER-REFER TO NAME PLATE ON MACH.)	1
	51234	BELT A-47 (BALDOR-REFER TO NAME PLATE ON MACH.)	1
	10240	BELT AP-44 (BALDOR-REFER TO NAME PLATE ON MACH.)	1
8	51226	IDLER PULLEY 2.75 X 3/4FLAT X 3/8	1
9	10336	SCREW, CAP 3/8-24 x 2-1/4	1
10	50074	SPRING, EXT. 1" OD x 3-15/16" INSIDE ENDS	1
11	10004	NUT, LOCK 3/8-24	1
12	10025	WASHER, FLAT 3/8	2
13	10113	SPACER, STEEL 9/16" OD x 3/8" ID x 7/32"	1
14	10014	NUT 3/8-24	1
15	10308	SCREW, CAP 1/2-20 x 1-1/2	1
16	10312	WASHER, FLAT 1/2	4
17	51052	IDLER ARM	1
18	10205	NUT, LOCK 1/2-20	1

**ILLUSTRATION 8: BLADE DEPTH GAUGE GROUPING**

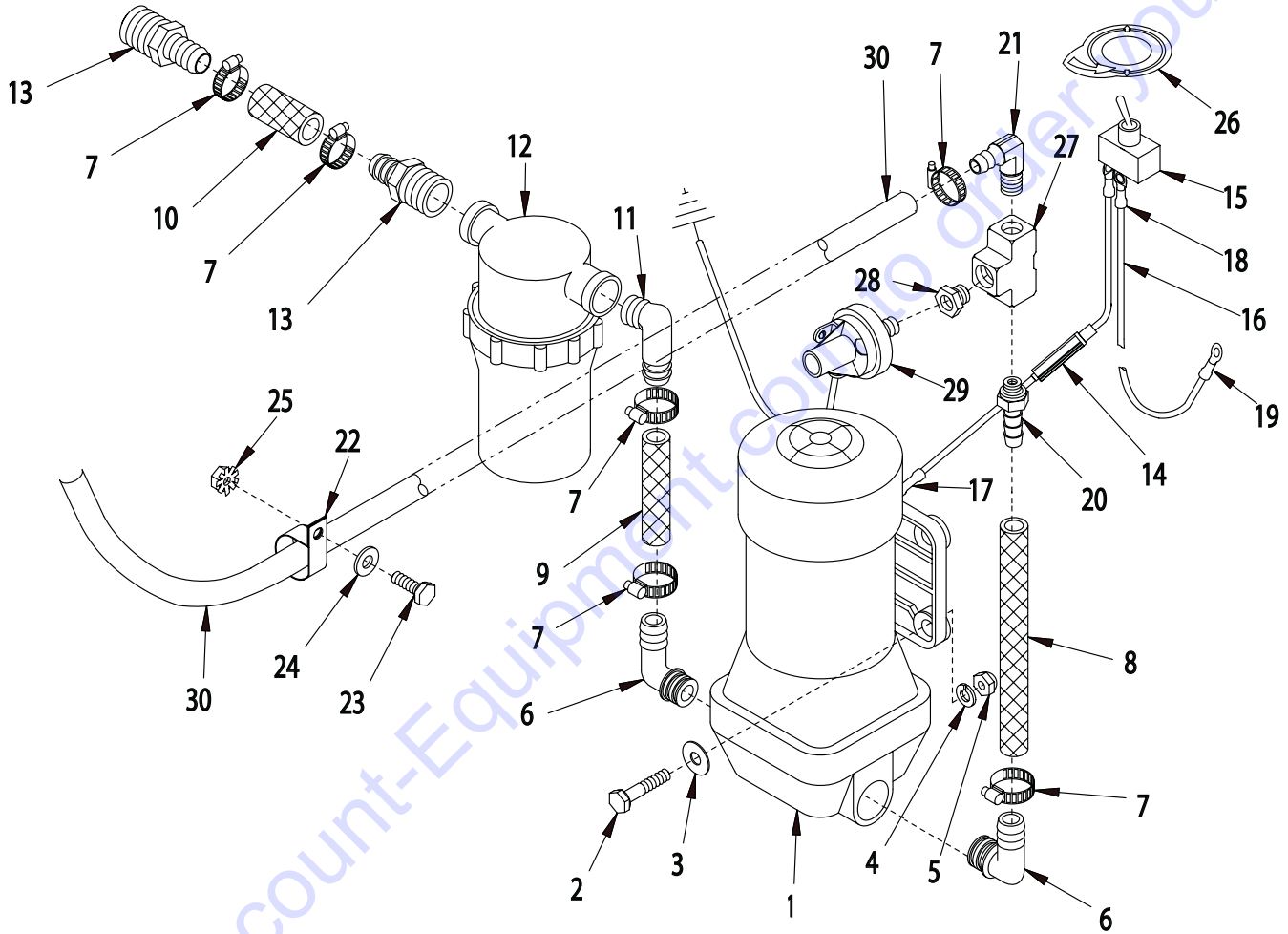


<b>PARTS LISTING - ILLUSTRATION 8: BLADE DEPTH GAUGE GROUPING</b>			
ITEM #	PART #	DESCRIPTION	QTY.
1	51238	GAUGE SUBASSEMBLY, DEPTH (INCLUDES ITEMS 2-6)	1
2	57132	WHEEL, DEPTH GAUGE	1
3	51239	STICKER, DEPTH GAUGE	1
4	10025	WASHER, FLAT 3/8 SAE	1
5	10336	SCREW, CAP 3/8-24 X 2-1/4	1
6	10004	NUT, LOCK 3/8-24	1
7	10025	WASHER, FLAT 3/8 SAE	2
8	10150	NUT, HEX NYLON LOCK 1/4-20	1
9	51240	CABLE, DEPTH GAUGE 3/32 X 25"L	1
10	3636	SPRING, EXT. 6"L	1
11	10031	SCREW, CAP 1/4-20 X 1	1
12	10602	WASHER, FLAT 1/4 SAE	1
13	10150	NUT, HEX NYLON LOCK 1/4-20	1
14	10861	NUT, KEPS 1/4-20	1
15	10843	BOLT, SPADE 3/8-16 X 1-5/8	1
16	10404	NUT 3/8-16	2
17	10811	WASHER, LOCK 3/8	1

**ILLUSTRATION 9: OPTIONAL WATER PUMP KIT**

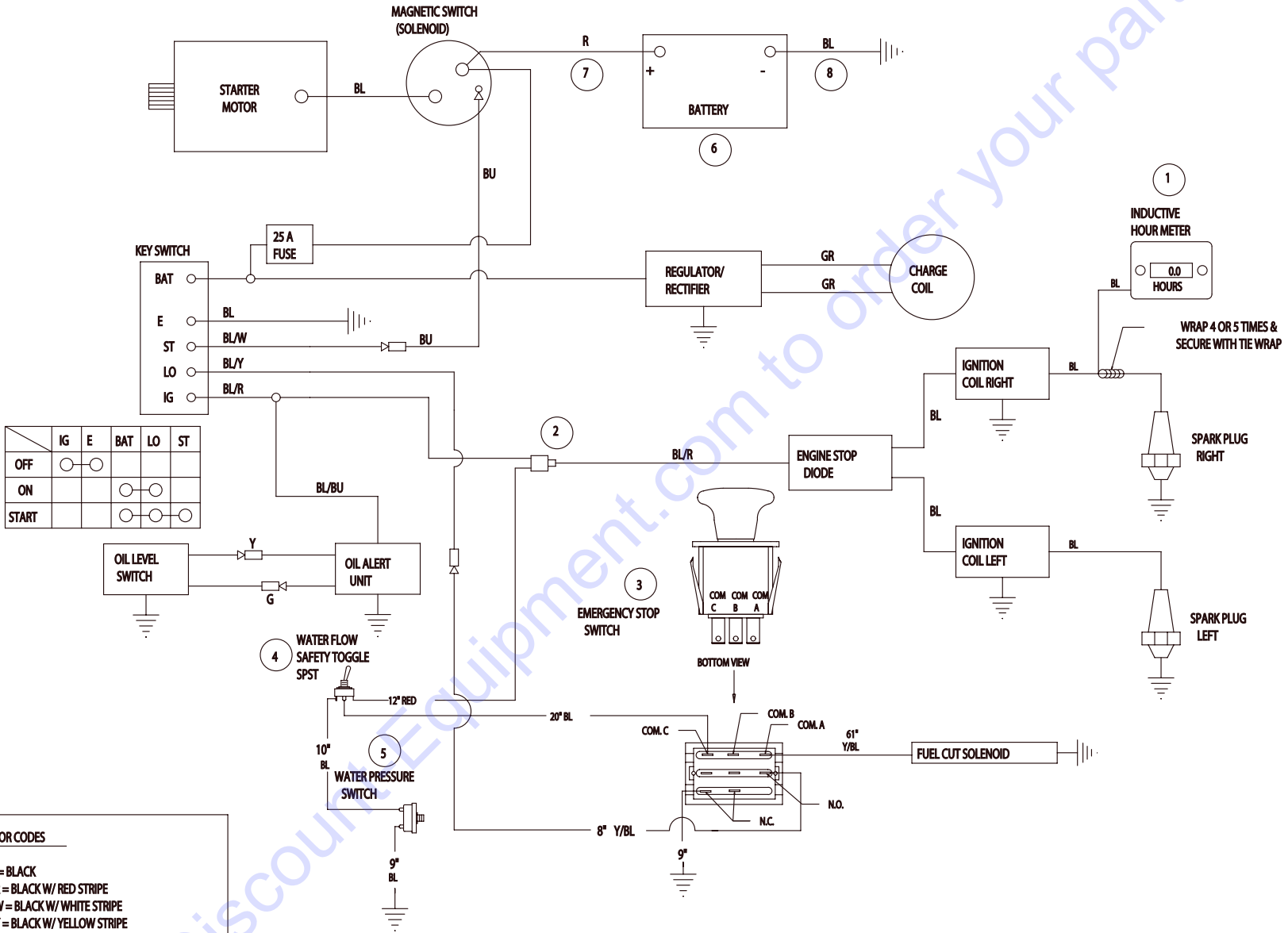
**\*FOR GAS UNITS ONLY\***

**PART #51270**



<b>PARTS LISTING - ILLUSTRATION 9: OPTIONAL WATER PUMP KIT</b>			
ITEM #	PART #	DESCRIPTION	QTY.
1	50470	PUMP, WATER, 12VDC, FLOJET QUAD	1
2	10905	SCREW, CAP 1/4-20 x 1-1/4	4
3	10602	WASHER, FLAT 1/4	4
4	10038	WASHER, LOCK 1/4	4
5	10876	NUT, ACORN 1/4-20	4
6	50469	PUMP QUAD PORT BARB ELBOW 1/2" (INCLUDES O-RING)	2
7	50069	CLAMP, HOSE, SAE #6, ADJ. TO 13/16	5
8	57168	HOSE, WATER 1/2" ID x 4-7/8"L	1
9	51261	HOSE, WATER 1/2" ID x 4"L	1
10	50532	HOSE, WATER 1/2" ID x 2"	1
11	50471	BARB ELBOW 90, 1/2 HOSE x 1/2 MPT (PLASTIC)	1
12	57170	STRAINER, NYLON T-STYLE 1/2 FPT	1
13	10680	BARB, 1/2 HOSE x 1/2 MPT (PLASTIC)	2
14	50447	FUSE & HOLDER, 10 AMP	1
15	10633	SWITCH, TOGGLE SPST	1
16	51262	WIRE, RED 14AWG x 30"L	1
17	10938	CONNECTOR, WIRE BUTT 16-14 GA. (BLUE)	1
18	50084	TERMINAL, WIRE RING #10 16-14 GA. (BLUE)	2
19	10968	TERMINAL, WIRE RING 5/16 16-14 GA. (BLUE)	1
*20	11579	BARB, PUSH-ON 1/2 HOSE x 1/4 MPT	1
*21	10799	BARB ELBOW 90, 3/8 HOSE x 1/4 MPT	1
*22	11565	CLAMP, LOOM, 5/8"	1
*23	10018	SCREW, CAP 1/4-20 x 3/4	1
*24	10602	WASHER, FLAT 1/4	1
*25	10861	NUT, KEPS 1/4-20	1
*26	N/A	DECAL, WATER PUMP ON-OFF	1
**27	10719	PIPE TEE, FEMALE 1/4 NPT (BRASS)	1
**28	10718	BUSHING, HEX 1/4 x 1/8 NPT (BRASS)	1
**29	51030	SWITCH, PRESSURE, MAG. IGN. 76061-2 NC	1
***30	51222	HOSE, WATER 3/8" ID x 45" L	1
1-19 THESE ITEMS ARE PRE-ASSEMBLED			
*20-26 THESE ITEMS ARE NOT PRE-ASSEMBLED			
**27-29 THESE ITEMS ARE REUSED FROM THE EXISTING UNIT. THEY ARE SHOWN FOR ASSEMBLY PURPOSES ONLY.			
***30 THIS ITEM IS REUSED FROM THE EXISTING UNIT. TRIM OFF TO THE APPROPRIATE LENGTH.			

ILLUSTRATION 10: 20 HP HONDA WIRING DIAGRAM



**COLOR CODES**

- BL = BLACK
- BL/R = BLACK W/ RED STRIPE
- BL/W = BLACK W/ WHITE STRIPE
- BL/Y = BLACK W/ YELLOW STRIPE
- G = GREEN
- GR = GRAY
- R = RED
- W = WHITE
- Y = YELLOW
- Y/BL = YELLOW W/ BLACK STRIPE





**PARTS LISTING - ILLUSTRATION 10: 20 HP HONDA WIRING DIAGRAM**

ITEM #	PART #	DESCRIPTION	QTY.
1	15138	METER, HOUR, REDINGTON INDUCTIVE	1
2	11582	CONNECTOR, BULLET FORD 3-WAY STD.	1
3	51225	SWITCH, EMERGENCY STOP	1
4	10633	SWITCH, TOGGLE SPST	1
5	51030	SWITCH, PRESSURE, MAG. IGN., 76061-2 NC	1
6	84011	BATTERY 12 VOLT/300 CCA (SMALL ENG)	1
7	61064	CABLE, EYE-EYE 4GA. X 40" (RED)	1
8	51233	CABLE, EYE-EYE 6GA. X 20" (BLACK)	1

# PARTS FINDER

**Search Website  
by Part Number**



**Search Manual  
Library For Parts  
Manual & Lookup Part  
Numbers – Purchase  
or Request Quote**

**Search Manuals**

Enter your information to help us find the right parts manual for your machine.

\* Brand:

\* Model:

\* Serial:

\* Part Number:

SEARCH

**Can't Find Part or  
Manual? Request Help  
by Manufacturer,  
Model & Description**

**Parts Order Form**

Please fill in the following information to help us find the right part for your machine.

Manufacturer:

Model:

Description:

Part Number:

Quantity:

Submit

Discount-Equipment.com is your online resource for quality parts & equipment.

Florida: **561-964-4949** Outside Florida TOLL FREE: **877-690-3101**

**Need parts?**

Click on this link: <http://www.discount-equipment.com/category/5443-parts/> and choose one of the options to help get the right parts and equipment you are looking for. Please have the machine model and serial number available in order to help us get you the correct parts. If you don't find the part on the website or on one of the online manuals, please fill out the request form and one of our experienced staff members will get back to you with a quote for the right part that your machine needs.

We sell worldwide for the brands: Genie, Terex, JLG, MultiQuip, Mikasa, Essick, Whiteman, Mayco, Toro Stone, Diamond Products, Generac Magnum, Airman, Haulotte, Barreto, Power Blanket, Nifty Lift, Atlas Copco, Chicago Pneumatic, Allmand, Miller Curber, Skyjack, Lull, Skytrak, Tsurumi, Husquvarna Target, Stow, Wacker, Sakai, Mi-T-M, Sullair, Basic, Dynapac, MBW, Weber, Bartell, Bennar Newman, Haulotte, Ditch Runner, Menegotti, Morrison, Contec, Buddy, Crown, Edco, Wyco, Bomag, Laymor, EZ Trench, Bil-Jax, F.S. Curtis, Gehl Pavers, Heli, Honda, ICS/PowerGrit, IHI, Partner, Imer, Clipper, MMD, Koshin, Rice, CH&E, General Equipment, Amida, Coleman, NAC, Gradall, Square Shooter, Kent, Stanley, Tamco, Toku, Hatz, Kohler, Robin, Wisconsin, Northrock, Oztec, Toker TK, Rol-Air, APT, Wylie, Ingersoll Rand / Doosan, Innovatech, Con X, Ammann, Mecalac, Makinex, Smith Surface Prep, Small Line, Wanco, Yanmar