



STARTING SERIAL # 091210024

PARTS LIST MANUAL



Model SS24

SELF-PROPELLED CONCRETE & ASPHALT SAW

SKU NO.	MODEL NO.	POWER OPTION
38100	SS24-24H	HONDA GASOLINE ENGINE MODEL GX670



A Division of Equipment Development Company, Inc.

PARTS FINDER

**Search Website
by Part Number**



**Search Manual
Library For Parts
Manual & Lookup Part
Numbers – Purchase
or Request Quote**

Search Manuals

Enter your information to help us find the right parts manual for your machine.

* Brand:

* Model:

* Serial:

* Part Number:

SEARCH

**Can't Find Part or
Manual? Request Help
by Manufacturer,
Model & Description**

Parts Order Form

Please fill in the following information to help us find the right part for your machine.

Manufacturer:	<input type="text"/>
Model:	<input type="text"/>
Description:	<input type="text"/>
Part Number:	<input type="text"/>
Quantity:	<input type="text"/>
Notes:	<input type="text"/>

Discount-Equipment.com is your online resource for quality parts & equipment.

Florida: **561-964-4949** Outside Florida TOLL FREE: **877-690-3101**

Need parts?

Click on this link: <http://www.discount-equipment.com/category/5443-parts/> and choose one of the options to help get the right parts and equipment you are looking for. Please have the machine model and serial number available in order to help us get you the correct parts. If you don't find the part on the website or on one of the online manuals, please fill out the request form and one of our experienced staff members will get back to you with a quote for the right part that your machine needs.

We sell worldwide for the brands: Genie, Terex, JLG, MultiQuip, Mikasa, Essick, Whiteman, Mayco, Toro Stone, Diamond Products, Generac Magnum, Airman, Haulotte, Barreto, Power Blanket, Nifty Lift, Atlas Copco, Chicago Pneumatic, Allmand, Miller Curber, Skyjack, Lull, Skytrak, Tsurumi, Husquvarna Target, Stow, Wacker, Sakai, Mi-T-M, Sullair, Basic, Dynapac, MBW, Weber, Bartell, Bennar Newman, Haulotte, Ditch Runner, Menegotti, Morrison, Contec, Buddy, Crown, Edco, Wyco, Bomag, Laymor, EZ Trench, Bil-Jax, F.S. Curtis, Gehl Pavers, Heli, Honda, ICS/PowerGrit, IHI, Partner, Imer, Clipper, MMD, Koshin, Rice, CH&E, General Equipment, Amida, Coleman, NAC, Gradall, Square Shooter, Kent, Stanley, Tamco, Toku, Hatz, Kohler, Robin, Wisconsin, Northrock, Oztec, Toker TK, Rol-Air, APT, Wylie, Ingersoll Rand / Doosan, Innovatech, Con X, Ammann, Mecalac, Makinex, Smith Surface Prep, Small Line, Wanco, Yanmar

READ AND UNDERSTAND THE OPERATORS INSTRUCTION MANUAL THOROUGHLY BEFORE ATTEMPTING TO OPERATE THIS EQUIPMENT. Death or serious injury could occur if this machine is used improperly.



SAFETY MESSAGES



The safety instructions are preceded by a graphic alert message of DANGER, WARNING, or CAUTION.



Indicates an imminent hazard which, if not avoided, will result in death or serious injury.



Indicates an imminent hazard which, if not avoided, can result in death or serious injury.



Indicates hazards which, if not avoided, could result in serious injury and or damage to the equipment.

GASOLINE Powered Equipment



- Do not operate gasoline powered equipment without adequate ventilation. Carbon monoxide is an invisible, odorless gas that can kill.

ELECTRICAL Powered Equipment



- ELECTRICAL HAZARD** - Be sure equipment is properly grounded. Failure to comply could kill or result in serious injury.



The engine exhaust from this product contains chemicals known to the State of California to cause cancer, birth defects or other reproductive harm.

GENERAL INSTRUCTIONS



- You must read and understand the operators instruction manual and all other manuals associated with this machine. For your safety and the safety of others around you, it is extremely important to fully understand how to operate this machine in the way it was intended. Different model machines or older/newer versions of the same model may have different parts and controls that you need to understand. If instructions are not readable or available DO NOT USE this machine and contact Discount-equipment for a replacement Manual.
- You must be able to physically handle the bulk weight and power of this machine. If not properly controlled this machine can cause death or serious injury.
- Do not operate this machine in an impaired mental state. You must be able to exercise good judgement and reactions to maintain a safe working environment.
- This is a "one person" machine which means only one operator can be operating the machine at any one time. For the safety of others, maintain a safe operating distance to other personnel. Your work area should be defined and appropriately marked so bystanders and coworkers do not stand or walk near this machine and end up seriously injured by flying debris or exposing them to harmful noise or dust.
- This equipment is for Commercial use. Although this is a "one person" machine your work team should understand how to shut this machine off and quickly get medical help if an accident strikes the operator.
- Keep all guards in place during operation. The guards are to provide protection from inadvertent contact with dangerous moving parts, pinch points, or hot surfaces.
- Wear appropriate Personal Protective Equipment (PPE) including safety glasses, safety boots, work gloves, respiratory protection, hearing protection, and head protection. Do not wear loose clothing that can get tangled in moving parts. Failure to do so could result

in dismemberment or death. **Wear an approved respirator when removing hazardous materials or when grinding/cutting dry materials. Some dust particles such as concrete dust can contain silicate particles which can cause silicosis (a very serious lung disease). Contact NIOSH or OSHA for further details. When wet grinding/cutting, avoid contact with the concrete/asphalt slurry which can cause serious skin irritations.**

- You must maintain this machine per the maintenance schedule in the operator manual. Remember before adjusting, servicing, or fueling this machine, disconnect the source of power to the machine by disconnecting the spark plug (Gas models), or by unplugging the electrical power cord (electric models) or air hose (Pneumatic models) AT THE MACHINE so you can assure yourself it remains unplugged while you are working on it. Do not modify this machine. Use only genuine EDCO parts and accessories. Repairs and service should be performed by approved EDCO dealers or authorized technicians.
- You should look carefully around the area before you begin work so you can identify potential hazards such as deck inserts, pipes, columns, openings, electrical cords or outlets, or any other objects protruding from the slab surface.
- This machine has no brain so you must use your own. There is no substitute for safety. The safety decals on the machine are to serve as a reminder for information you must already know before you begin using this machine. Take a moment to reread the safety decals each time you use the machine. If your machine is missing any decals, contact Discount-equipment for a replacement.

PARTS LIST MANUAL

Model SS24

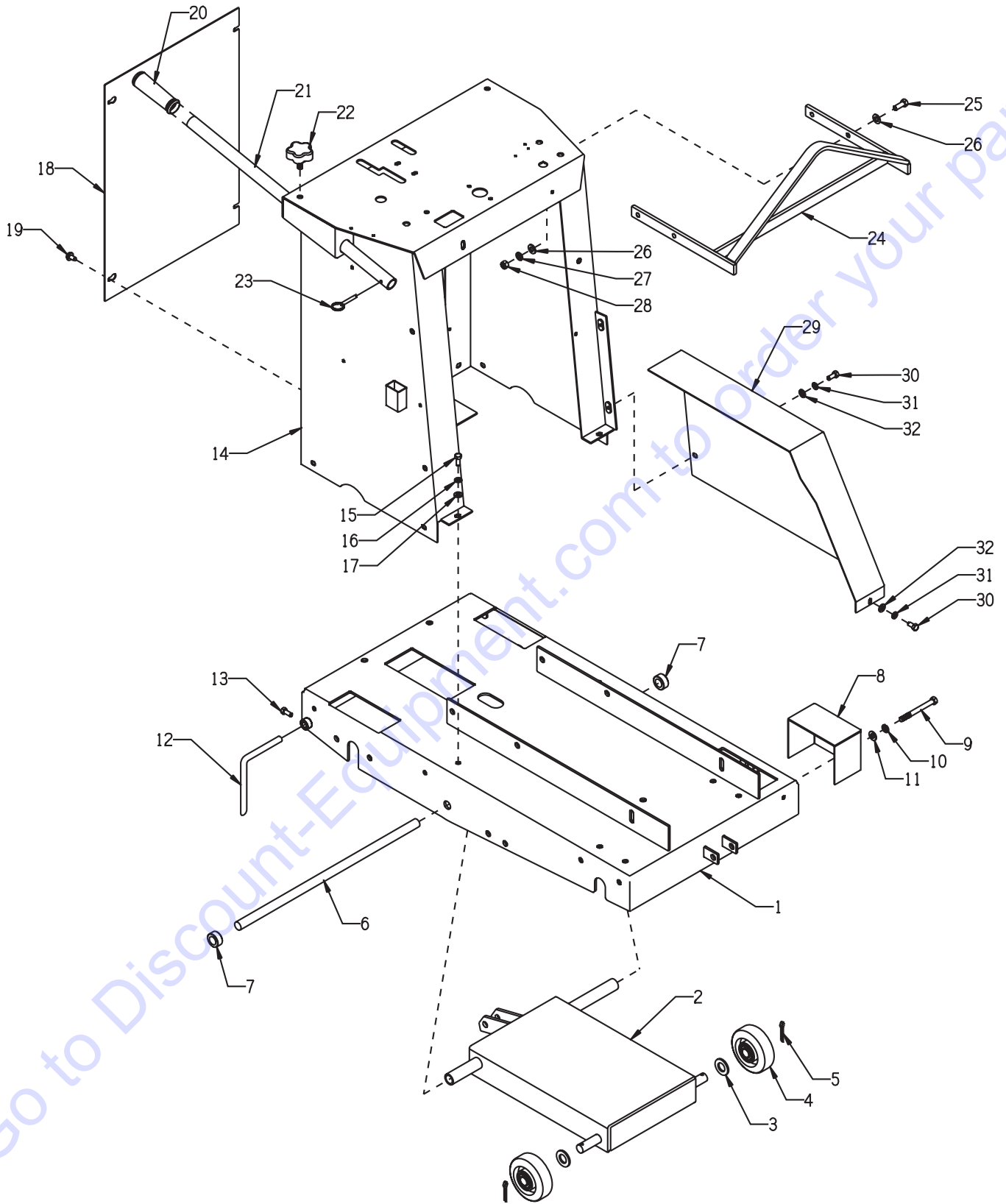
TABLE OF CONTENTS

<u>Section</u>	<u>Page Number</u>
Safety Messages and General Instructions	2
How To Order Replacement Parts	3
Illustration 1: Frame Grouping	4, 5
Illustration 2: Depth Control & Linkage Grouping	6, 7
Illustration 3: Blade Guard & Water Hook-Up Grouping	8, 9
Illustration 4: Abor Assembly	10, 11
Illustration 5: Transmission, Jackshaft & Rear Axle Grouping	12, 13
Illustration 6: Drive Lever & Linkage Grouping	14, 15
Illustration 7: Clutch Lever & Linkage Grouping	16, 17
Illustration 8: Engine & Fuel Tank Grouping	18, 19
Illustration 9: Battery Grouping	20
Illustration 10: Operating Controls	21
Illustration 11: Belt Drive Grouping	22, 23
Illustration 12: Guide Bar Grouping	24, 25
Illustration 13: Depth Gauge Grouping	26, 27
Illustration 14: Optional Water Pump Kit	28, 29
Illustration 15: Wiring Diagram	30, 31
Limited Equipment Warranty of Sale - Terms & Conditions	32 Back Page



A Division of Equipment Development Company, Inc.

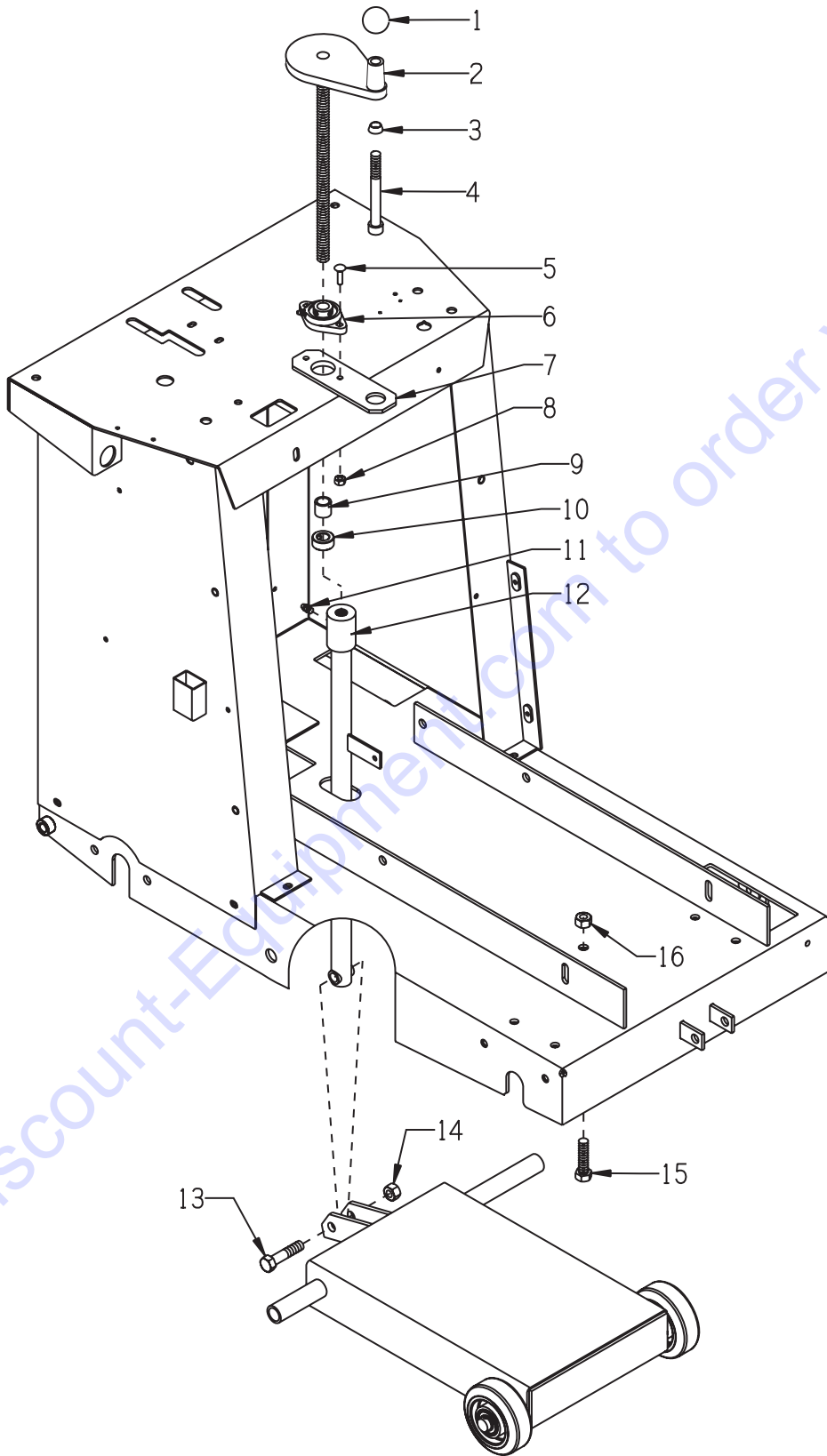
ILLUSTRATION 1: FRAME GROUPING



PARTS LISTING - ILLUSTRATION 1: FRAME GROUPING			
ITEM #	PART #	DESCRIPTION	QTY.
1	51401	MAIN FRAME, SS-24	1
2	51402	FORK, SS-24	1
3	10009	WASHER, FLAT 3/4 SAE	2
4	52001	WHEEL 4 X 1-1/2 X 3/4"BRG.	2
5	10306	PIN, COTTER 3/16 X 1-1/2	2
6	51403	SHAFT, FORK PIVOT, SS-24 3/4"DIA. X 21"L	1
7	10428	COLLAR, LOCKING 3/4"ID	2
8	51206	COVER, ARBOR, SS-16A/20/24	1
9	10318	SCREW, CAP 3/8-16 X 3-3/4	2
10	10811	WASHER, LOCK 3/8	2
11	10025	WASHER, FLAT 3/8 SAE	2
12	51011	GUIDE POINTER, REAR, SS MODELS	1
13	10018	SCREW, CAP 1/4-20 X 3/4	1
14	51404	CONSOLE, SS-24	1
15	10053	SCREW, CAP 5/16-18 X 3/4	8
16	10801	WASHER, LOCK 5/16	8
17	10213	WASHER, FLAT 5/16 SAE	8
18	51408	CONSOLE REAR PANEL, SS-24	1
19	10846	SCREW, CAP STSHW 1/4-20 X 1/2	4
20	10608	GRIP, HAND 1" MODEL AT	2
21	51024	HANDLE BAR 24", ZINC PLATED	2
22	51230	KNOB, STAR CLAMPING 3/8-16 X 1"STUD	2
23	10145	PIN, DETENT RING 3/16 X 1-5/16 E.L.	2
24	51405	LIFTING BAIL, SS-24	1
25	10021	SCREW, CAP 3/8-24 X 1	4
26	10025	WASHER, FLAT 3/8 SAE	8
27	10811	WASHER, LOCK 3/8	4
28	10014	NUT 3/8-24	4
29	51406	COVER, BELT, SS-24	1
30	10018	SCREW, CAP 1/4-20 X 3/4	3
31	10038	WASHER, LOCK 1/4	3
32	10602	WASHER, FLAT 1/4 SAE	3



ILLUSTRATION 2 : DEPTH CONTROL & LINKAGE GROUPING



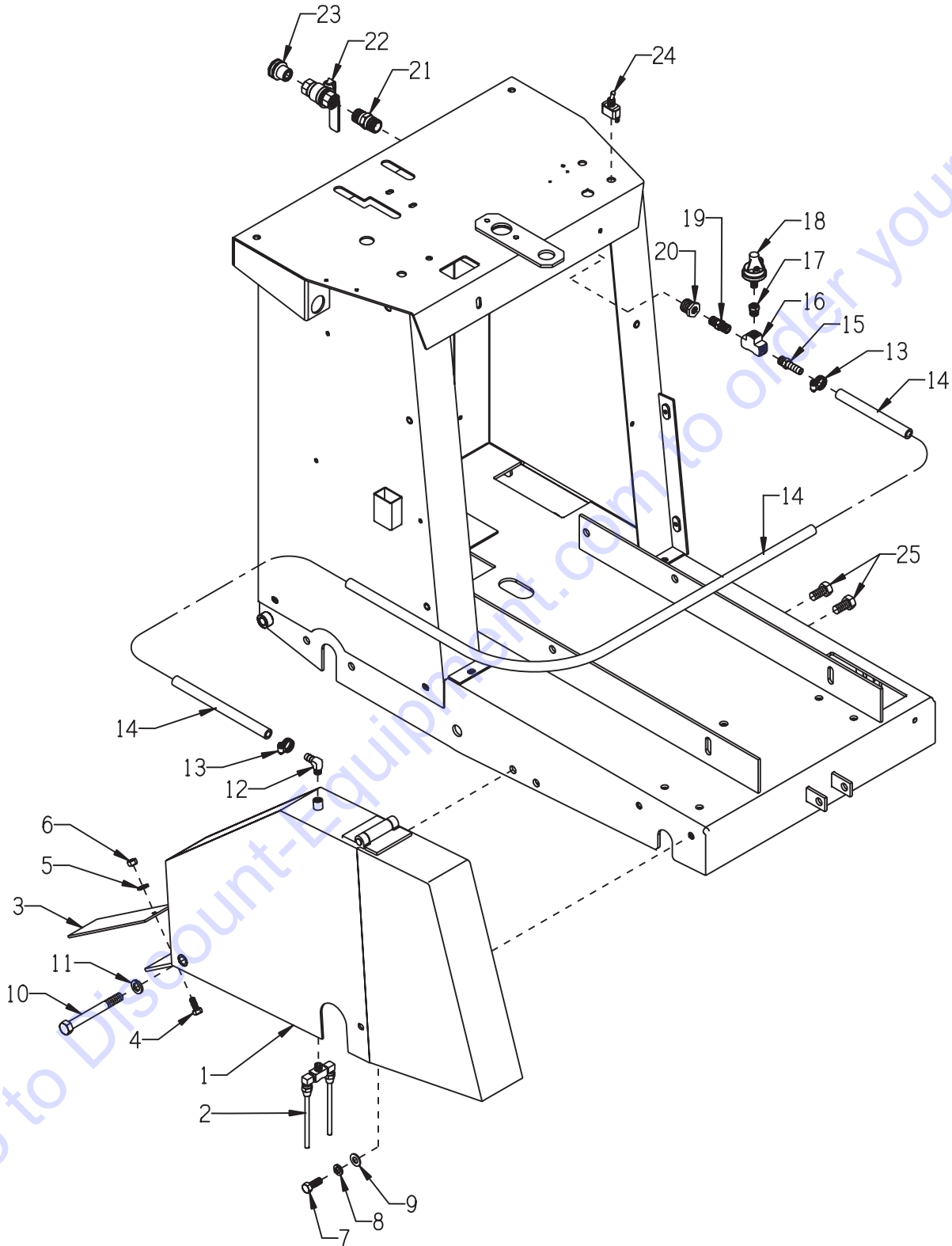
PARTS LISTING - ILLUSTRATION 2 :
DEPTH CONTROL & LINKAGE GROUPING

ITEM #	PART #	DESCRIPTION	QTY.
1	14023	KNOB, BALL 1-3/8 W/ 1/2-13THD, BLK.	1
2	51075	HANDWHEEL, LARGE W/ 5/8-8 X 13"ROD	1
3	50550	SLEEVE, BRASS 1/2" TAPERED	1
4	10346	SCREW, SKT. HD. CAP 1/2-13 X 4-1/2	1
5	10412	BOLT, CARRIAGE 1/4-20 X 1 FULL THD.	2
6	80009	BEARING, BALL 5/8" 2-HOLE (NO G.F.)	1
7	51426	DEPTH LOCK	1
8	10861	NUT, KEPS 1/4-20	2
9	55010	SPACER, HANDWHEEL 5/8"ID X 3/4"L	1
10	10096	COLLAR, LOCKING 5/8"ID	1
11	10808	FITTING, GREASE 1/4-28 STRAIGHT	1
12	51412	LINKAGE, CUT CONTROL, SS-24	1
13	10347	SCREW, CAP 1/2-20 X 2-1/4	1
14	10154	NUT, HEX NYLON LOCK 1/2-20	1
15	11718	BOLT, TAP 1/2-13 X 2-1/2 (FULL THD)	1
16	10417	NUT 1/2-13	1



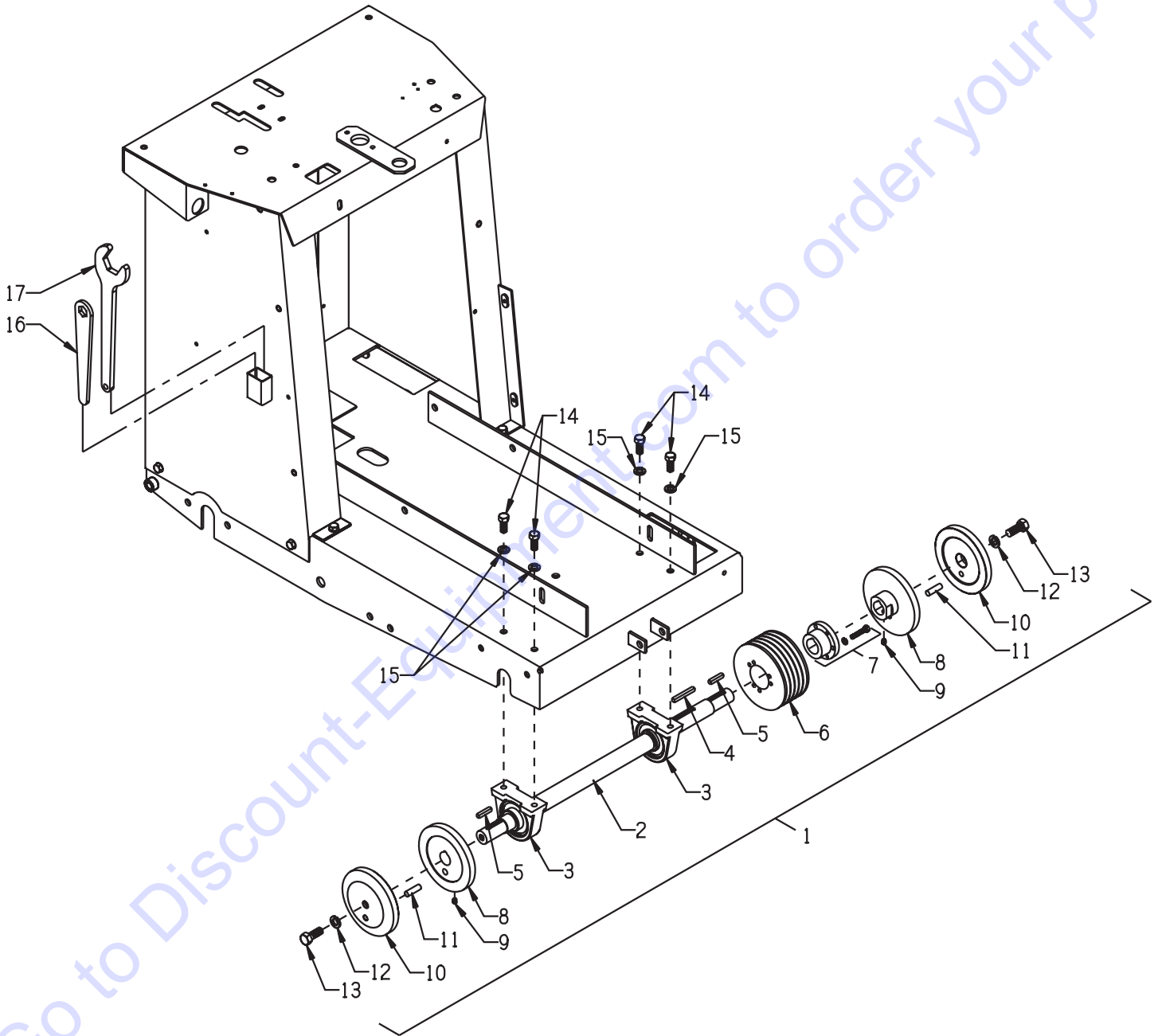
A Division of Equipment Development Company, Inc.

ILLUSTRATION 3:
BLADE GUARD & WATER HOOK-UP GROUPING



PARTS LISTING - ILLUSTRATION 3: BLADE GUARD & WATER HOOK-UP GROUPING			
ITEM #	PART #	DESCRIPTION	QTY.
1	51407	GUARD, BLADE 24", SS-24	1
2	51026	NOZZLE, COOLANT 1/8MPT W/ 6" TUBES	1
3	41115	FLAP, RUBBER 2-1/2 X 8	1
4	10053	SCREW, CAP 5/16-18 X 3/4	1
5	10213	WASHER, FLAT 5/16 SAE	1
6	10151	NUT, HEX NYLON LOCK 5/16-18	1
7	10055	SCREW, CAP 3/8-16 X 1	1
8	10811	WASHER, LOCK 3/8	1
9	10025	WASHER, FLAT 3/8 SAE	1
10	10409	SCREW, CAP 1/2-20 X 4-1/2	1
11	10045	WASHER, LOCK 1/2	1
12	11562	BARB ELBOW 90, 3/8 HOSE X 1/8 MPT	1
13	50069	CLAMP, HOSE, SAE #6, ADJ. TO 13/16	2
14	51424	HOSE, WATER 3/8" ID X 66" L	1
15	50075	BARB, 3/8 HOSE X 1/4 MPT (BRASS)	1
16	10719	PIPE TEE, FEMALE 1/4 NPT (BRASS)	1
17	10718	BUSHING, HEX 1/4 X 1/8 NPT (BRASS)	1
18	51030	SWITCH, PRESSURE, MAG. IGN., N.C.	1
19	10717	NIPPLE, HEX 1/4 NPT (BRASS)	1
20	51236	BUSHING, HEX 1/2 X 1/4 NPT (BRASS)	1
21	10679	NIPPLE, HEX 1/2 NPT (BRASS)	1
22	10711	VALVE, BALL 1/2 FPT	1
23	80021	CONN., SWIVEL FEM. 3/4 HOSE X 1/2 MPT	1
24	10633	SWITCH, TOGGLE SPST 15/10A-115/250V	1
25	10304	SCREW, CAP 1/2-20 X 1	2

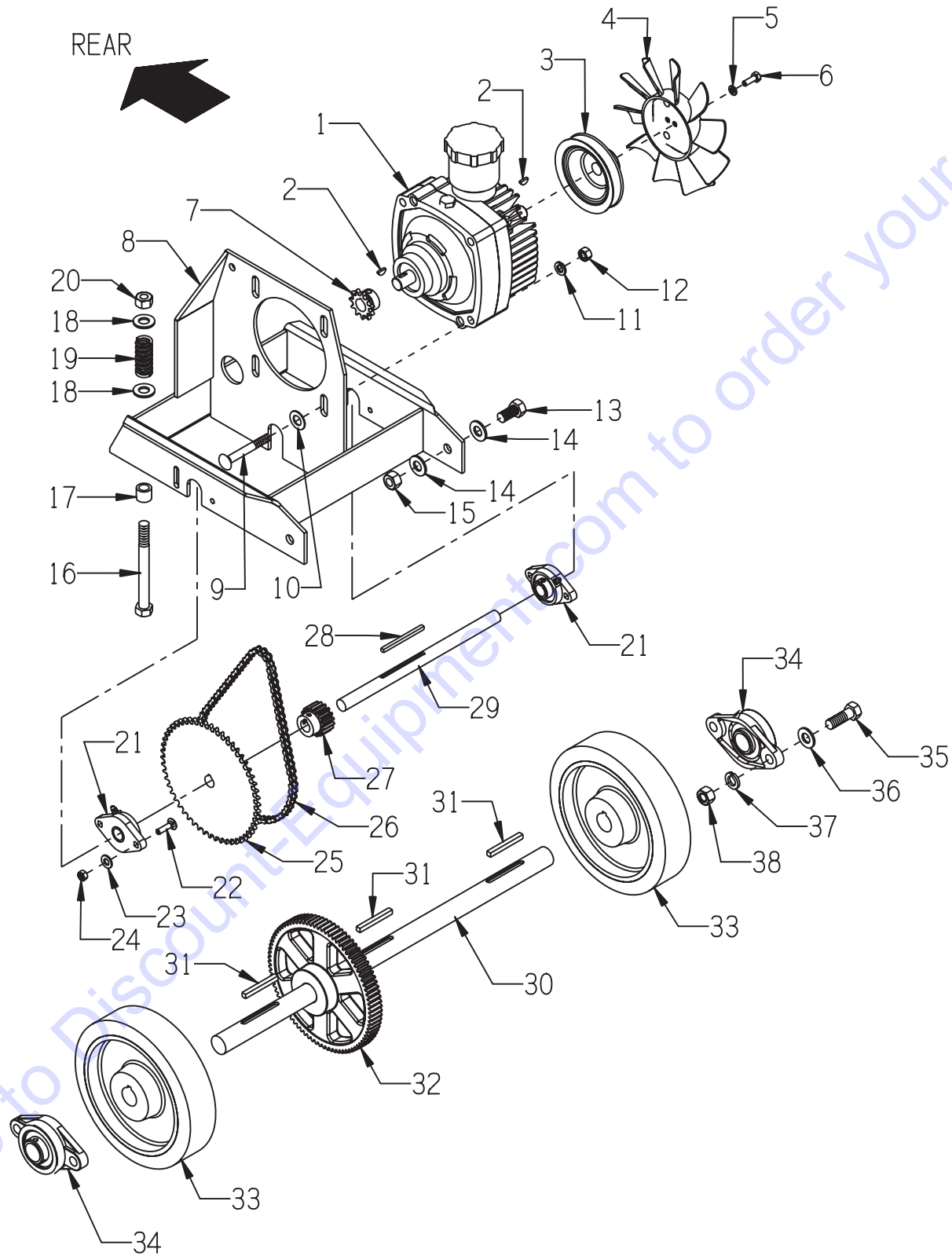
ILLUSTRATION 4: ARBOR ASSEMBLY



PARTS LISTING			
ILLUSTRATION 4: ARBOR ASSEMBLY			
ITEM #	PART #	DESCRIPTION	QTY.
1	51413A	ARBOR ASSEMBLY, SS-24 (INCLUDES ITEMS 2 THRU 13)	1
2	51413	ARBOR SHAFT, SS-24	1
3	53020	BEARING, BALL 1-1/8" TPB	2
4	10115	KEY 1/4SQ X 2	1
5	10305	KEY 1/4SQ X 1-1/4	2
*6	51420	SHEAVE 5"OD X 5GR.3V X SDS	1
*7	10558	BUSHING, SHEAVE SDS X 1-1/8"BORE	1
8	50427	ARBOR BACKING PLATE 5"	2
9	10161	SCREW, SET 1/4-28 X 5/16	2
10	51415	ARBOR BLADE RETAINING CAP 5", SS-24	2
11	10129	PIN, SHEAR PROOF 3/8 X 1-1/4	2
12	10045	WASHER, LOCK 1/2	2
13	10321	SCREW, CAP 1/2-20 X 1-1/4	2
14	53033	SCREW, CAP 7/16-14 X 7/8	4
15	10450	WASHER, LOCK 7/16	4
16	53021	WRENCH, ARBOR, 3/4" BOX END	1
17	50445	WRENCH, ARBOR, 1-1/2" OPEN END	1
*NOTE: ITEMS 6 & 7 WERE REVISED IN JAN. 2010. THE SHEAVE (ITEM 6) WAS AN SH STYLE AND REQUIRED AN SH STYLE BUSHING (ITEM 7) PART # 10547.			



ILLUSTRATION 5:
TRANSMISSION, JACKSHAFT & REAR AXLE GROUPING

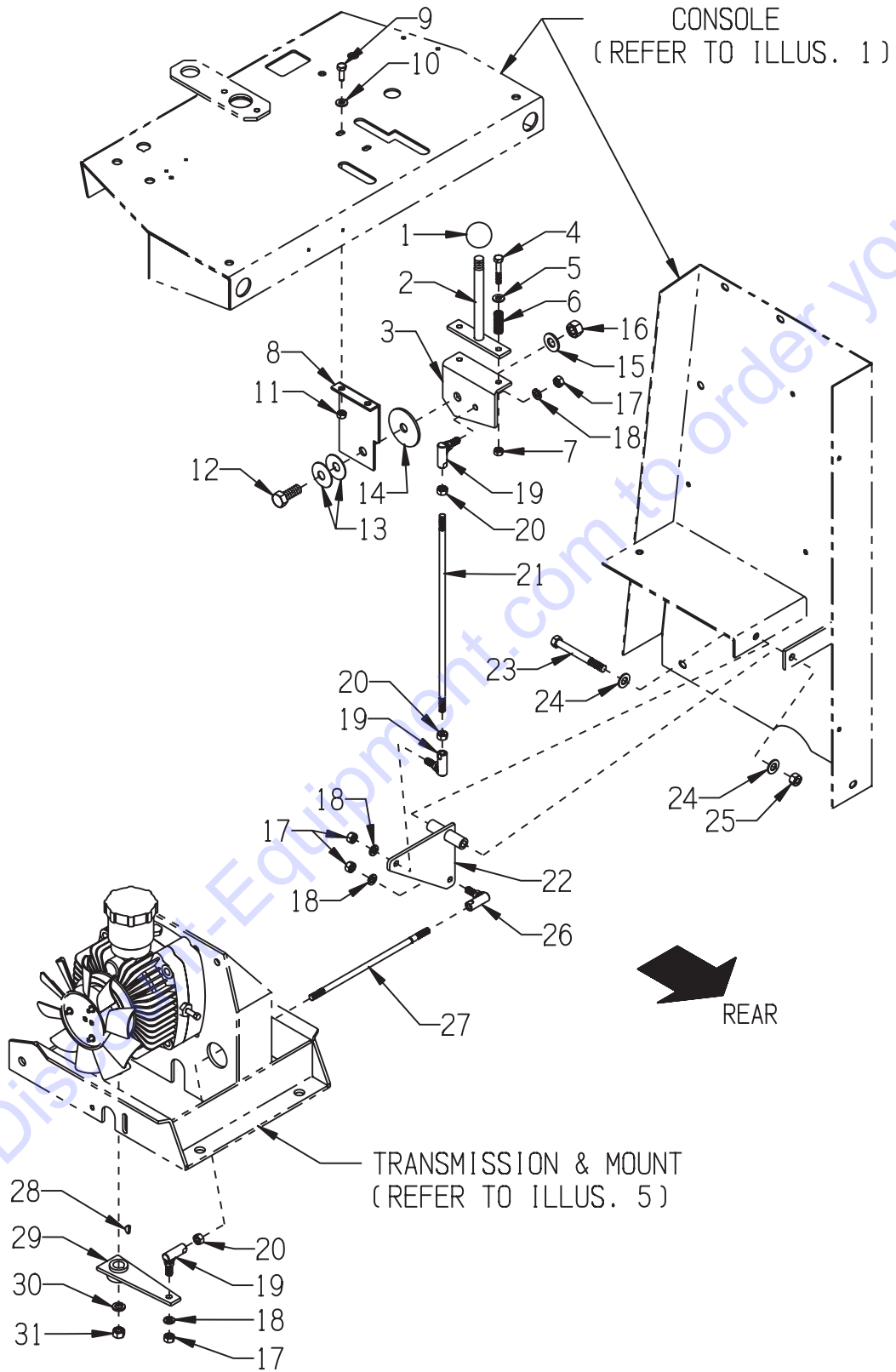


PARTS LISTING - ILLUSTRATION 5: TRANSMISSION, JACKSHAFT & REAR AXLE GROUPING			
ITEM #	PART #	DESCRIPTION	QTY.
1	50061	TRANSMISSION, HYDROSTATIC	1
2	50071	KEY, WOODRUFF 1/8 X 1/2 (#404)	2
3	50062	SHEAVE, TRANS. 4"OD X 1GR. X .671"B	1
4	50266	FAN BLADE W/ PLATE 7", TRANSMISSION	1
5	10038	WASHER, LOCK 1/4	1
6	10018	SCREW, CAP 1/4-20 X 3/4	1
7	50048	SPROCKET #3511 X .67"BORE	1
8	51409	MOUNT, TRANSMISSION, SS-24	1
9	10909	BOLT, CARRIAGE 3/8-16 X 3 FULL THD	4
10	10040	WASHER, GARRET 17/32 X 1 X .054	4
11	10811	WASHER, LOCK 3/8	4
12	10404	NUT 3/8-16	4
13	10304	SCREW, CAP 1/2-20 X 1 (1 SIDE ONLY, SEE ILLUS. 11)	1
14	10312	WASHER, FLAT 1/2 SAE (1 SIDE ONLY, SEE ILLUS. 11)	2
15	10205	NUT, LOCK 1/2-20 (1 SIDE ONLY, SEE ILLUS. 11)	1
16	81001	SCREW, CAP 1/2-13 X 4	1
	10376	SCREW, CAP 1/2-13 X 5	1
17	41045	SPACER 3/4"OD X 1/2"ID X 5/8"L	2
18	10312	WASHER, FLAT 1/2 SAE	4
19	51035	SPRING, COMP. .828"OD X 2"FL	2
20	10155	NUT, HEX NYLON LOCK 1/2-13	2
21	80009G	BEARING, BALL 5/8" 2-HOLE (W/ G.F.)	2
22	10412	BOLT, CARRIAGE 1/4-20 X 1 FULL THD.	4
23	10602	WASHER, FLAT 1/4 SAE	4
24	10861	NUT, KEPS 1/4-20	4
25	51421	SPROCKET #35B54 X 5/8"BORE W/ KW	1
26	51428	CHAIN #35 X 25" + CL	1
27	51417M	GEAR, SPUR 17 TOOTH, SS-24	1
28	10088	KEY 3/16SQ X 2-1/2	1
29	51410	JACKSHAFT, SS-24 5/8 X 10-3/4	1
30	51411	AXLE, REAR, SS-24 1 X 22-3/4	1
31	10307	KEY 1/4SQ X 2-1/4	3
32	78005M	GEAR, SPUR 84 TOOTH, SS-24	1
33	50098	WHEEL 8 X 2 X 1"BORE	2
34	62022	BEARING, BALL 1" 2-HOLE FLANGE	2
35	10321	SCREW, CAP 1/2-20 X 1-1/4	4
36	10312	WASHER, FLAT 1/2	4
37	10045	WASHER, LOCK 1/2	4
38	10072	NUT 1/2-20	4



A Division of Equipment Development Company, Inc.

**ILLUSTRATION 6:
DRIVE LEVER & LINKAGE GROUPING**



PARTS FINDER

**Search Website
by Part Number**



**Search Manual
Library For Parts
Manual & Lookup Part
Numbers – Purchase
or Request Quote**

Search Manuals

Enter your information to help us find the right parts manual for your machine.

* Brand:

* Model:

* Serial:

* Part Number:

SEARCH

**Can't Find Part or
Manual? Request Help
by Manufacturer,
Model & Description**

Parts Order Form

Please fill in the following information to help us find the right part for your machine.

Manufacturer:	<input type="text"/>
Model:	<input type="text"/>
Description:	<input type="text"/>
Part Number:	<input type="text"/>
Quantity:	<input type="text"/>
Notes:	<input type="text"/>

Submit

Discount-Equipment.com is your online resource for quality parts & equipment.

Florida: **561-964-4949** Outside Florida TOLL FREE: **877-690-3101**

Need parts?

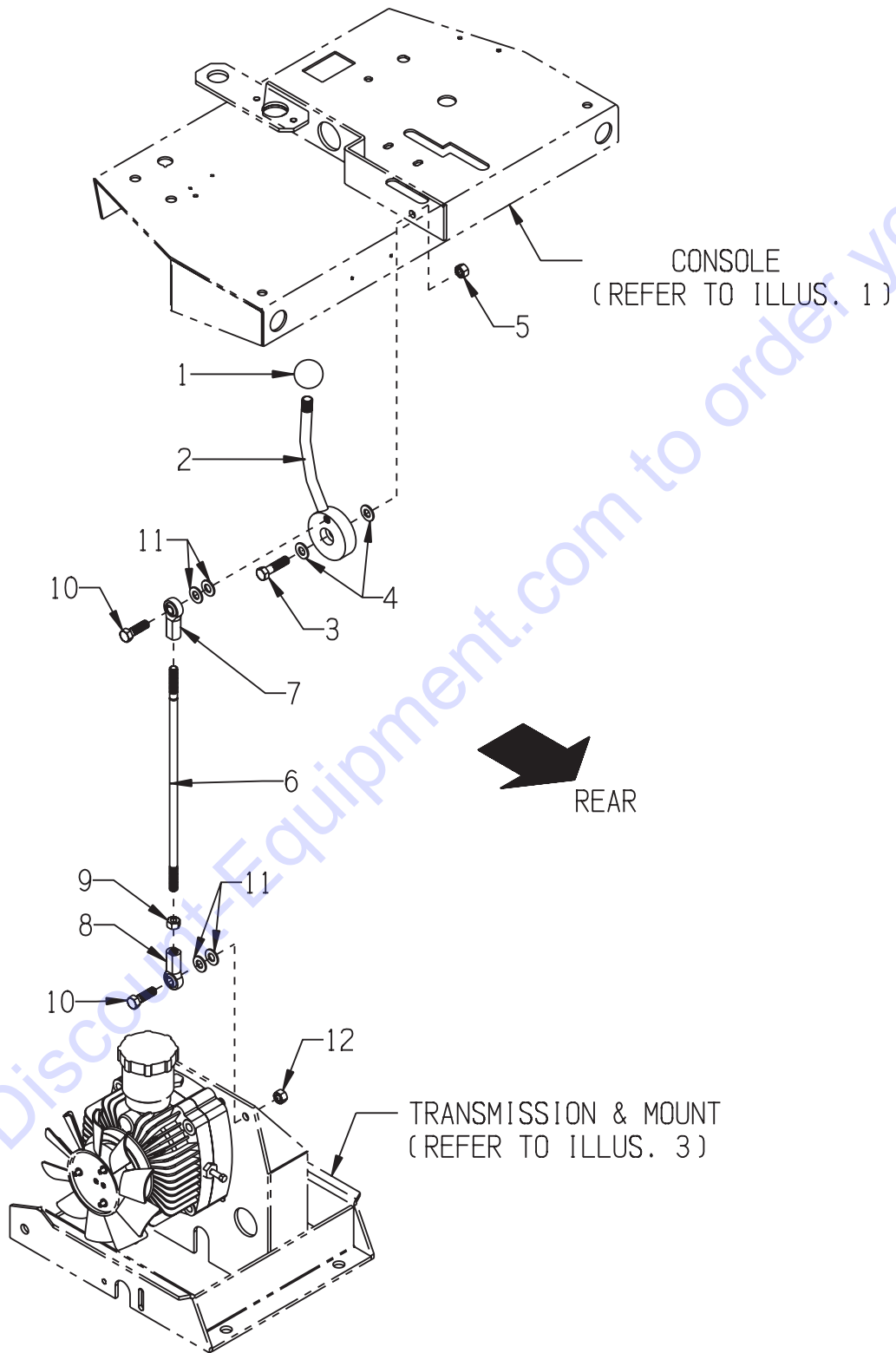
Click on this link: <http://www.discount-equipment.com/category/5443-parts/> and choose one of the options to help get the right parts and equipment you are looking for. Please have the machine model and serial number available in order to help us get you the correct parts. If you don't find the part on the website or on one of the online manuals, please fill out the request form and one of our experienced staff members will get back to you with a quote for the right part that your machine needs.

We sell worldwide for the brands: Genie, Terex, JLG, MultiQuip, Mikasa, Essick, Whiteman, Mayco, Toro Stone, Diamond Products, Generac Magnum, Airman, Haulotte, Barreto, Power Blanket, Nifty Lift, Atlas Copco, Chicago Pneumatic, Allmand, Miller Curber, Skyjack, Lull, Skytrak, Tsurumi, Husquvarna Target, Stow, Wacker, Sakai, Mi-T-M, Sullair, Basic, Dynapac, MBW, Weber, Bartell, Bennar Newman, Haulotte, Ditch Runner, Menegotti, Morrison, Contec, Buddy, Crown, Edco, Wyco, Bomag, Laymor, EZ Trench, Bil-Jax, F.S. Curtis, Gehl Pavers, Heli, Honda, ICS/PowerGrit, IHI, Partner, Imer, Clipper, MMD, Koshin, Rice, CH&E, General Equipment, Amida, Coleman, NAC, Gradall, Square Shooter, Kent, Stanley, Tamco, Toku, Hatz, Kohler, Robin, Wisconsin, Northrock, Oztec, Toker TK, Rol-Air, APT, Wylie, Ingersoll Rand / Doosan, Innovatech, Con X, Ammann, Mecalac, Makinex, Smith Surface Prep, Small Line, Wanco, Yanmar

PARTS LISTING - ILLUSTRATION 6:
DRIVE LEVER & LINKAGE GROUPING

ITEM #	PART #	DESCRIPTION	QTY.
1	14023	KNOB, BALL 1-3/8 W/ 1/2-13THD, BLK.	1
2	51210	LEVER, DRIVE	1
3	51235	PLATE, DRIVE LEVER PRESSURE	1
4	10315	SCREW, CAP 1/4-20 X 1-1/2	2
5	10602	WASHER, FLAT 1/4 SAE	2
6	57471	SPRING, COMP. .468"OD X 1.25"FL	2
7	10150	NUT, HEX NYLON LOCK 1/4-20	2
8	51211	MOUNT BRKT., DRIVE LEVER	1
9	10018	SCREW, CAP 1/4-20 X 3/4	2
10	10602	WASHER, FLAT 1/4 SAE	2
11	10150	NUT, HEX NYLON LOCK 1/4-20	2
12	10321	SCREW, CAP 1/2-20 X 1-1/4	1
13	10426	WASHER, BELLEVILLE 1/2ID X 3/64THK	2
14	50428	WASHER, FIBER 2-1/4OD X 1/2ID X 1/8	1
15	10312	WASHER, FLAT 1/2 SAE	1
16	10205	NUT, LOCK 1/2-20	1
17	10424	NUT 5/16-24	4
18	10801	WASHER, LOCK 5/16	4
19	10840	BALL JOINT ASSY. 5/16-24 R.H. THRD.	3
20	10424	NUT 5/16-24	3
21	51212	LINKAGE, ROD 5/16 X 13"L	1
22	51214	BELL CRANK, DRIVE LINKAGE	1
23	10382	SCREW, CAP 3/8-24 X 3-1/2	1
24	10025	WASHER, FLAT 3/8 SAE	2
25	10004	NUT, LOCK 3/8-24	1
26	10840L	BALL JOINT ASSY. 5/16-24 L.H. THRD.	1
27	51213	LINKAGE, ROD 5/16 X 9"L	1
28	50071	KEY, WOODRUFF 1/8 X 1/2 (#404)	1
29	51223	TRANS. CONTROL ARM	1
30	10811	WASHER, LOCK 3/8	1
31	10404	NUT 3/8-16	1

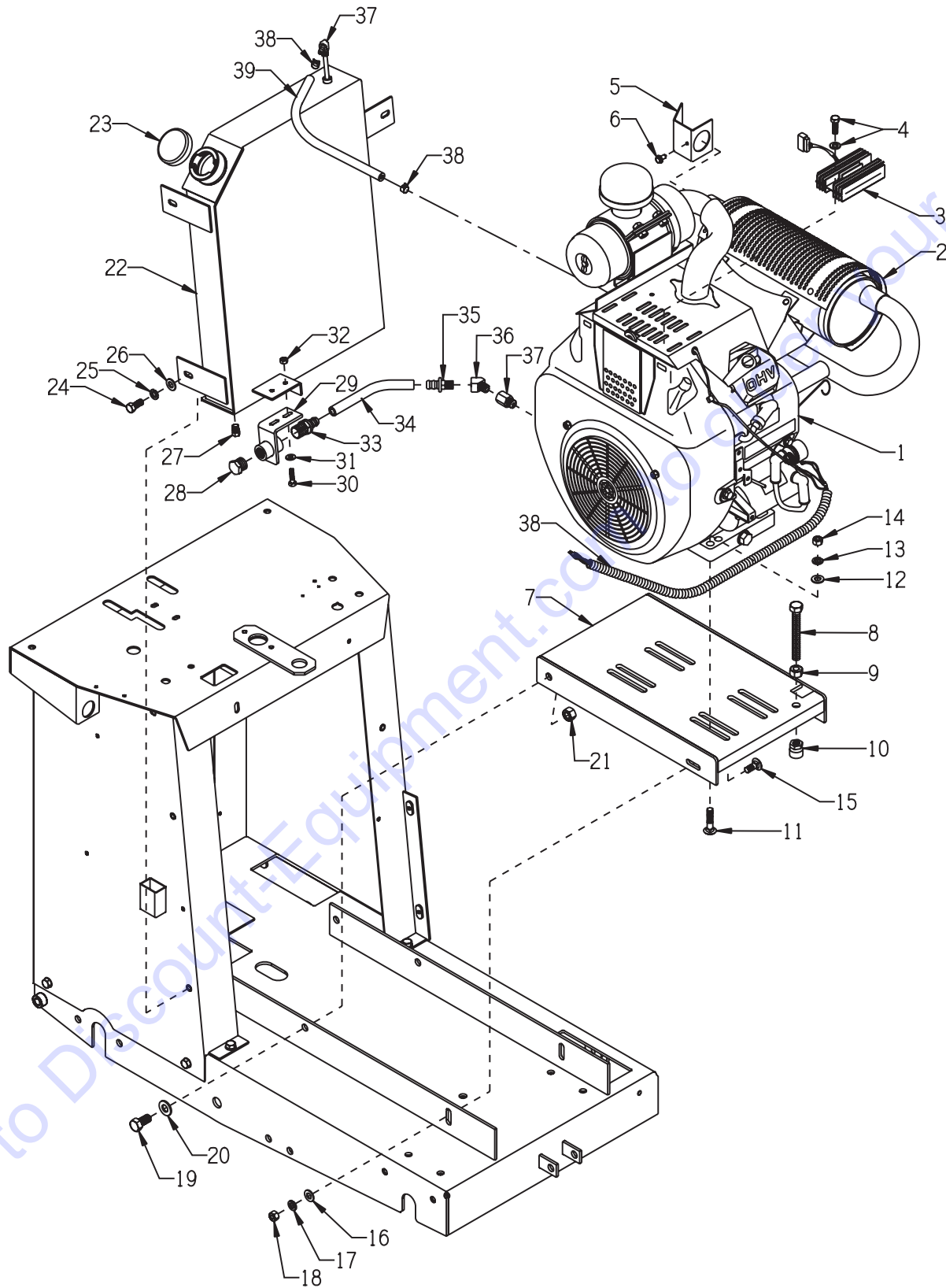
ILLUSTRATION 7:
CLUTCH LEVER & LINKAGE GROUPING



PARTS LISTING - ILLUSTRATION 7:
CLUTCH LEVER & LINKAGE GROUPING

ITEM #	PART #	DESCRIPTION	QTY.
1	14023	KNOB, BALL 1-3/8 W/ 1/2-13THD, BLK.	1
2	51215	LEVER, CLUTCH, SS-20/24	1
3	10816	SCREW, CAP 3/8-24 X 1-1/2	1
4	10025	WASHER, FLAT 3/8 SAE	2
5	10004	NUT, LOCK 3/8-24	1
6	51216	LINKAGE, ROD 3/8 X 13"L, SS-20/24	1
7	10919L	ROD END, FEMALE 3/8-24 L.H. THREAD	1
8	10919	ROD END, FEMALE 3/8-24 R.H. THREAD	1
9	10014	NUT 3/8-24	1
10	10309	SCREW, CAP 3/8-24 X 1-1/4	2
11	10025	WASHER, FLAT 3/8 SAE	2
12	10004	NUT, LOCK 3/8-24	1

ILLUSTRATION 8 : ENGINE & FUEL TANK GROUPING

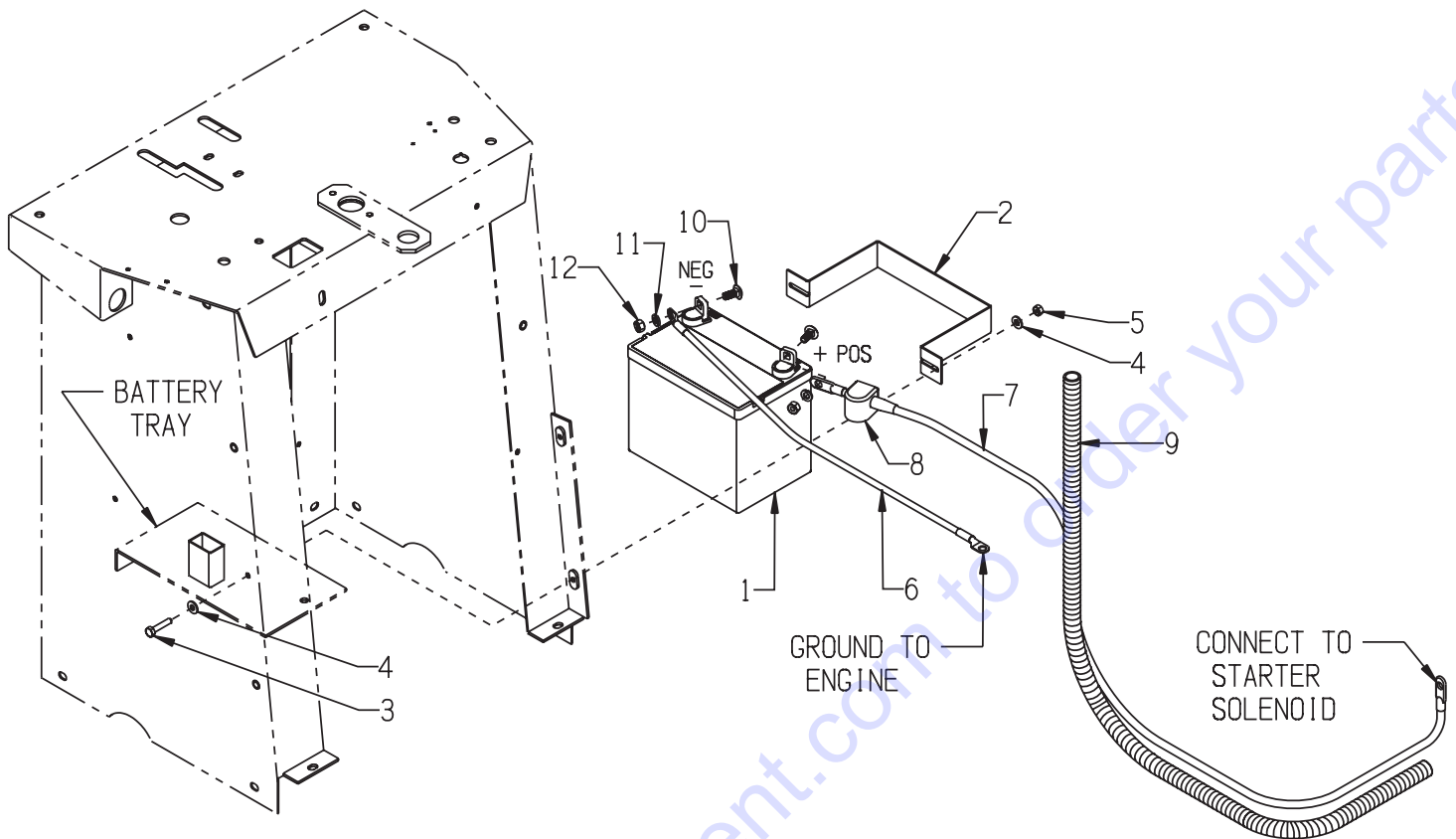


PARTS LISTING - ILLUSTRATION 8: ENGINE & FUEL TANK GROUPING			
ITEM #	PART #	DESCRIPTION	QTY.
1	15055	ENGINE, HONDA GX670-TXA2	1
2	15165	MUFFLER, HONDA VHRM4	1
3	-----	RECTIFIER/REGULATOR (INCLUDE W/ ENGINE)	-
4	10031	SCREW, CAP 1/4-20 X 1	2
	10602	WASHER, FLAT 1/4 SAE	2
	10150	NUT, HEX NYLON LOCK 1/4-20 (NOT SHOWN)	2
5	51418	DEFLECTOR, EXHAUST	1
6	10877	SCREW, CAP STSHW 10-24 X 1/2	1
7	51208	MOUNT, ENGINE	1
8	10392	BOLT, TAP 1/2-13 X 4 (FULL THREAD)	1
9	10417	NUT 1/2-13	1
10	50710	TOGGLE PAD 7/8"D X 15/16"H X 1/2-13	1
11	10087	BOLT, CARRIAGE 3/8-16 X 1-3/4 F.T.	4
12	10025	WASHER, FLAT 3/8 SAE	4
13	10811	WASHER, LOCK 3/8	4
14	10404	NUT 3/8-16	4
15	10802	BOLT, CARRIAGE 3/8-16 X 1 FULL THD.	2
16	10025	WASHER, FLAT 3/8 SAE	2
17	10811	WASHER, LOCK 3/8	2
18	10404	NUT 3/8-16	2
19	10304	SCREW, CAP 1/2-20 X 1	2
20	10312	WASHER, FLAT 1/2 SAE	2
21	10205	NUT, LOCK 1/2-20	2
22	51416	TANK, FUEL	1
23	61056	CAP, FUEL TANK	1
24	10907	SCREW, CAP 3/8-16 X 3/4	3
25	10811	WASHER, LOCK 3/8	3
26	10025	WASHER, FLAT 3/8 SAE	3
27	11650	PIPE PLUG 1/8 NPT (BRASS)	1
28	50552	PIPE PLUG 1/2 NPT (BRASS)	1
29	57159	BRACKET, OIL DRAIN	1
30	10018	SCREW, CAP 1/4-20 X 3/4	2
31	10602	WASHER, FLAT 1/4 SAE	2
32	10861	NUT, KEPS 1/4-20	2
33	80061	BARB, PUSH-ON 1/2HOSE X 1/2MPT	1
34	51237	HOSE, PUSH-ON 1/2"ID X 7"L	1
35	11579	BARB, PUSH-ON 1/2HOSE X 1/4 MPT	1
36	10716	ELBOW, STREET 1/4NPT X 45 (BRASS)	1
37	11533	FITTING,ADPTR 6-M14X1.5 TO1/4-18MPT	1
38	51429	LOOM, FLEX 5/8 X 50"L	1
39	51427	HOSE, FUEL 1/4"ID X 13"L	1



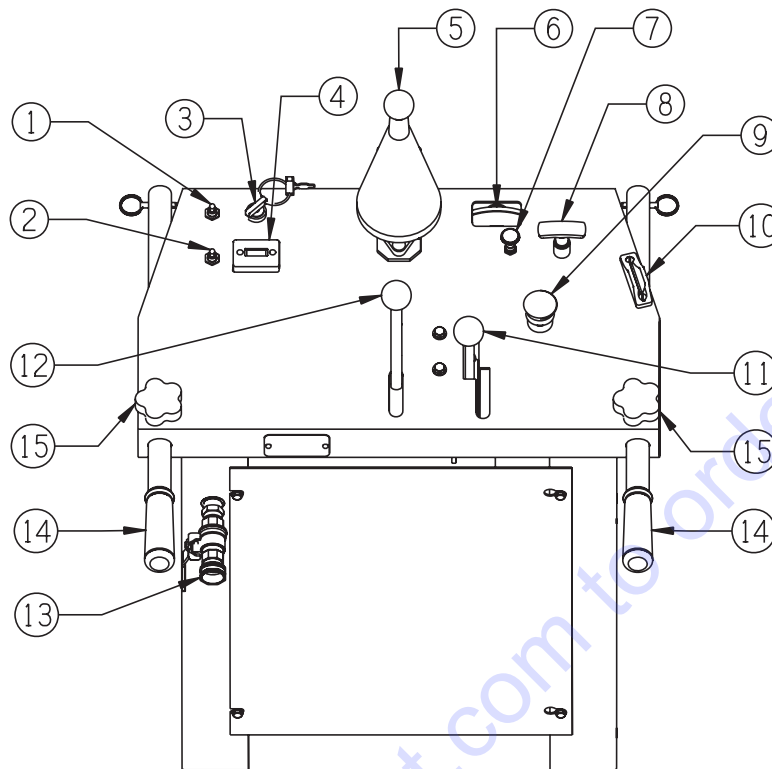
A Division of Equipment Development Company, Inc.

ILLUSTRATION 9 : BATTERY GROUPING



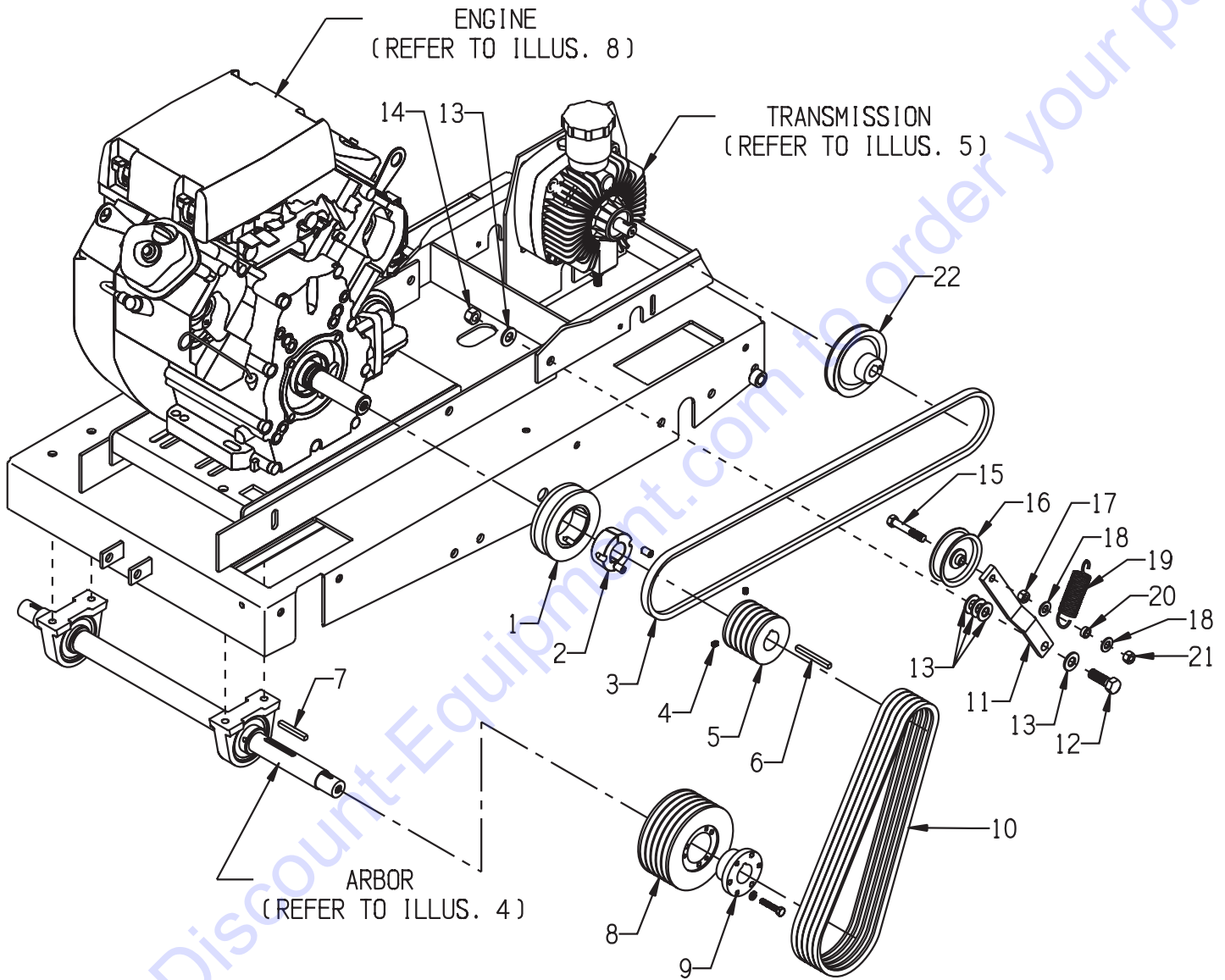
ITEM #	PART #	DESCRIPTION	QTY.
1	84011	BATTERY 12 VOLT/300 CCA(SMALL ENG.)	1
2	50091	CLAMP, BATTERY HOLD DOWN	1
3	10905	SCREW, CAP 1/4-20 X 1-1/4	2
4	10602	WASHER, FLAT 1/4 SAE	4
5	10150	NUT, HEX NYLON LOCK 1/4-20	2
6	50117B	CABLE, EYE-EYE 4GA. X 24" (BLACK)	1
7	51425	CABLE, EYE-EYE 4GA. X 50" (RED)	1
8	11583	INSULATOR, BAT.TERM. U-1 STYLE(RED)	1
9	10926	LOOM, FLEX 5/8" (U/M = FT.)	5 FT.
10	10818	BOLT, CARRIAGE 5/16-18 X 3/4 F.T.	2
11	10801	WASHER, LOCK 5/16	2
12	10054	NUT 5/16-18	2

ILLUSTRATION 10 : OPERATING CONTROLS



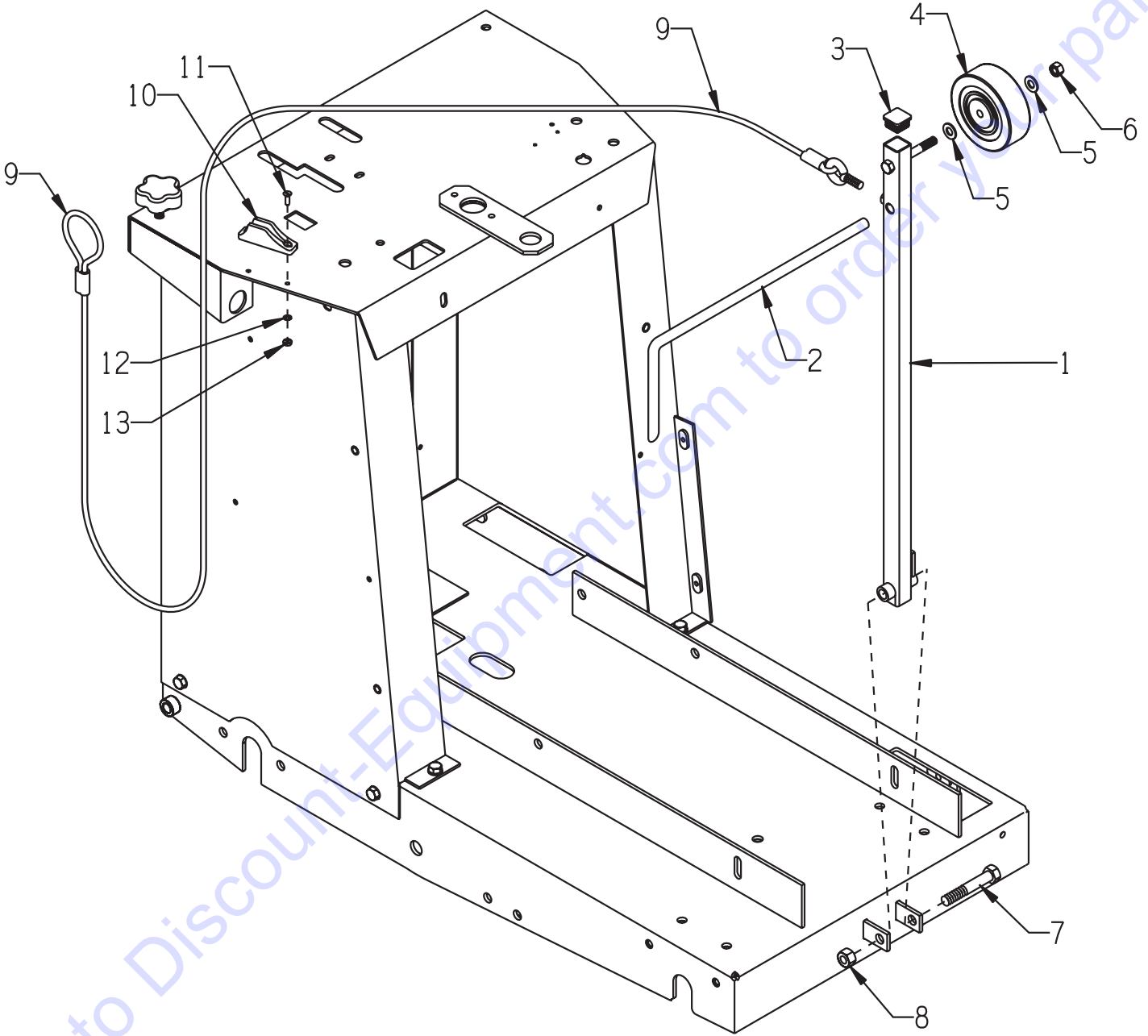
ITEM #	PART #	DESCRIPTION	QTY.
1	10633	BLADE SAVER SWITCH (ILLUS. 3, ITEM 24)	1
2	10633	WATER PUMP SWITCH (OPTIONAL, ILLUS. 14)	1
3	15163 15137	IGNITION SWITCH (INCLUDED W/ ENGINE) KEY (2 INCLUDED W/ ENGINE OR SWITCH)	1
4	15138	METER, HOUR, REDINGTON INDUCTIVE	1
5	-----	DEPTH CONTROL (ILLUS. 2)	1
6	-----	DEPTH GAUGE (ILLUS. 13)	1
7	15129	CHOKER CONTROL, CABLE (CUT 44"LOA)	1
8	51081	THROTTLE CONTROL CABLE (CUT 43"LOA)	1
9	15147 15148 15167	SWITCH PUSHBUTTON ONLY, E-STOP SWITCH ASSY. CLIP ONLY, E-STOP SWITCH CONTACT BLOCK, N.C. E-STOP	1 1 1
10	11591	GUIDE ROPE CLEAT (ILLUS. 12, ITEM 10)	1
11	-----	DRIVE CONTROL LEVER (ILLUS. 6)	1
12	-----	CLUTCH CONTROL LEVER (ILLUS. 7)	1
13	-----	WATER HOOK-UP & VALVE (ILLUS. 3)	1
14	-----	EXTENDABLE HANDLES (ILLUS. 1)	2
15	51230	HANDLE LOCK (ILLUS. 1)	2

ILLUSTRATION 11: BELT DRIVE GROUPING



PARTS LISTING - ILLUSTRATION 11: BELT DRIVE GROUPING			
ITEM #	PART #	DESCRIPTION	QTY.
1	10528	SHEAVE 4.15"OD X 1GR.AB X TPR-LOCK	1
2	10529	BUSHING, SHEAVE TAPER-LOCK 1-1/8"B	1
3	10267	BELT AP-57 OR A-57	1
4	10139	SCREW, SET 1/4-20 X 5/16	2
5	51419	SHEAVE 2.8"OD X 5GR.3V X 1-1/8"B	1
6	10071	KEY 1/4SQ X 2-1/2	1
7	10115	KEY 1/4SQ X 2	1
8	51420	SHEAVE 5"OD X 5GR.3V X SH	1
9	10547	BUSHING, SHEAVE SH X 1-1/8"BORE (INCLUDES HARDWARE)	1
10	10276	BELT 3VX-355	5
11	51052	IDLER ARM	1
12	10308	SCREW, CAP 1/2-20 X 1-1/2	1
13	10312	WASHER, FLAT 1/2 SAE	5
14	10205	NUT, LOCK 1/2-20	1
15	10336	SCREW, CAP 3/8-24 X 2-1/4	1
16	51226	IDLER PULLEY 2.75 X 3/4FLAT X 3/8	1
17	10014	NUT 3/8-24	1
18	10025	WASHER, FLAT 3/8 SAE	2
19	50074	SPRING, EXT. 1"OD X 3-15/16	1
20	10113	SPACER, STEEL 9/16OD X 3/8ID X 7/32	1
21	10004	NUT, LOCK 3/8-24	1
22	50062	SHEAVE, TRANS. 4"OD X 1GR. X .671"B	1

ILLUSTRATION 12: GUIDE BAR GROUPING



PARTS LISTING - ILLUSTRATION 12: GUIDE BAR GROUPING

ITEM #	PART #	DESCRIPTION	QTY.
1	56304	GUIDE BAR	1
2	51012	GUIDE POINTER, FRONT	1
3	51078	PLUG, SQ. TUBE 1 X 14 GA., BLACK	1
4	50024	WHEEL 4 X 1-3/8 X 3/8" BORE	1
5	10025	WASHER, FLAT 3/8 SAE	2
6	10156	NUT, HEX NYLON LOCK 3/8-16	1
7	10499	SCREW, CAP 1/2-13 X 3	1
8	10155	NUT, HEX NYLON LOCK 1/2-13	1
9	51430	ROPE, GUIDE BAR, SS-24	1
10	11591	ROPE CLEAT, NYLON JAM 3/16"-5/16"	1
11	11594	SCREW, MACHINE 10-32 X 5/8, SLT.FLT	2
12	10831	WASHER, LOCK, INT. TOOTH #10	2
13	10832	NUT, KEPS 10-32	2



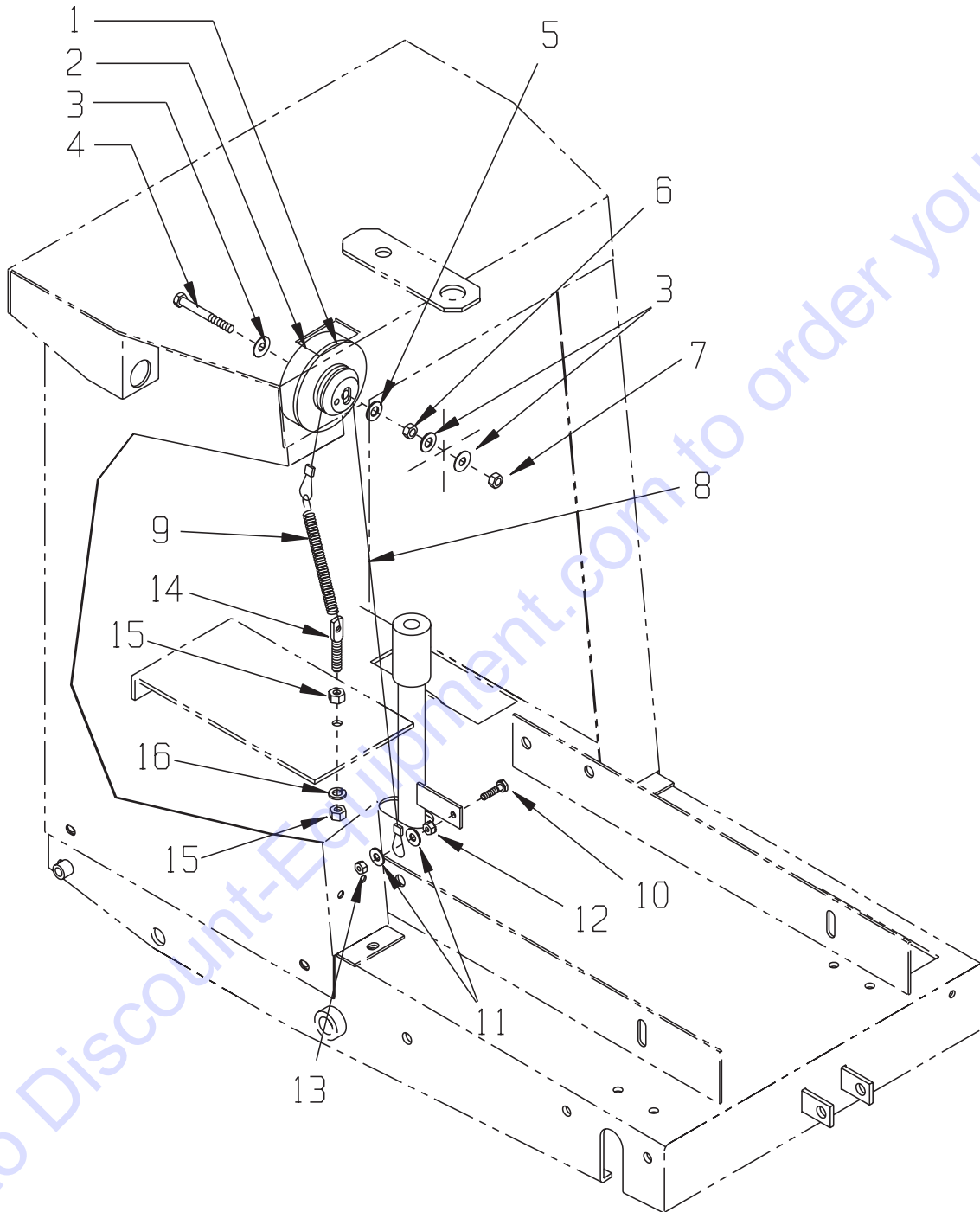
A Division of Equipment Development Company, Inc.

Printed in USA

JWA ©2009

Page 25

ILLUSTRATION 13: DEPTH GAUGE GROUPING



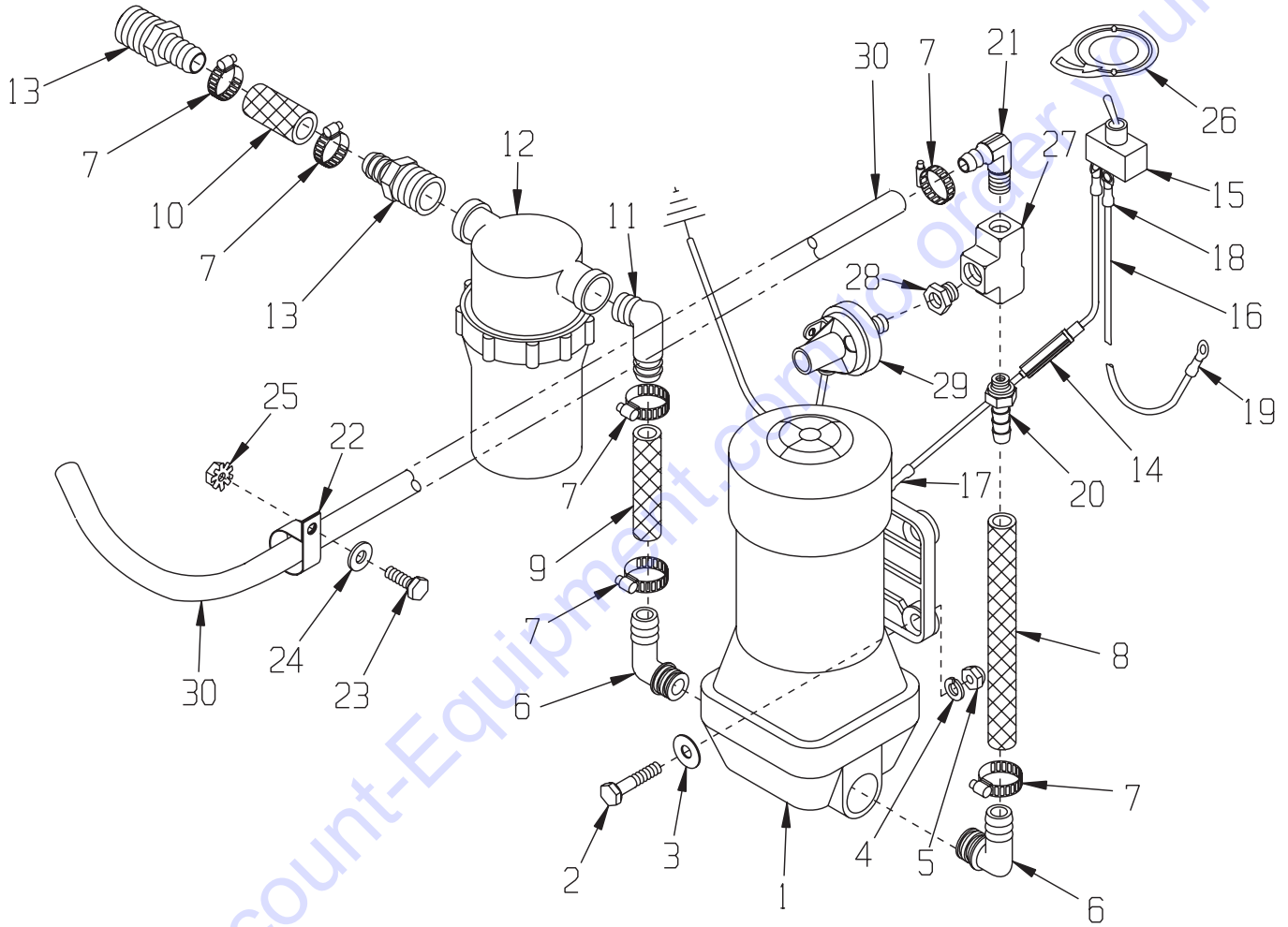
Go to Discount-Equipment.com to order your parts

PARTS LISTING - ILLUSTRATION 13: DEPTH GAUGE GROUPING			
ITEM #	PART #	DESCRIPTION	QTY.
1	57132	WHEEL, DEPTH GAUGE	1
2	N/A	DECAL (PART OF DECAL KIT # 92007)	-
3	10025	WASHER, FLAT 3/8 SAE	3
4	10336	SCREW, CAP 3/8-24 X 2-1/4	1
5	64159	SHIM 3/8 X 5/8 X .031	1
6	10004	NUT, LOCK 3/8-24	1
7	10152	NUT, HEX NYLON LOCK 3/8-24	1
8	51240	CABLE, DEPTH GAUGE 3/32 X 25"L	1
9	3636	SPRING, EXT. 6"L	1
10	10031	SCREW, CAP 1/4-20 X 1	1
11	10602	WASHER, FLAT 1/4 SAE	2
12	10861	NUT, KEPS 1/4-20	1
13	10150	NUT, HEX NYLON LOCK 1/4-20	1
14	10843	BOLT, SPADE 3/8-16 X 1-5/8	1
15	10404	NUT 3/8-16	2
16	10811	WASHER, LOCK 3/8	1



A Division of Equipment Development Company, Inc.

**ILLUSTRATION 14:
OPTIONAL
WATER PUMP KIT
PART # 51270**



**PARTS LISTING - ILLUSTRATION 14:
OPTIONAL WATER PUMP KIT
PART # 51270**

ITEM #	PART #	DESCRIPTION	QTY.
1	50470	PUMP, WATER, 12VDC, FLOJET QUAD	1
2	10905	SCREW, CAP 1/4-20 X 1-1/4	4
3	10602	WASHER, FLAT 1/4 SAE	4
4	10038	WASHER, LOCK 1/4	4
5	10876	NUT, ACORN 1/4-20	4
6	50469	PUMP QUAD PORT BARB ELBOW 1/2"	2
7	50069	CLAMP, HOSE, SAE #6, ADJ. TO 13/16	5
8	57168	HOSE, WATER 1/2"ID X 4-7/8"L	1
9	51261	HOSE, WATER 1/2"ID X 4"L	1
10	50532	HOSE, WATER 1/2"ID X 2"L	1
11	50471	BARB ELBOW 90, 1/2HOSE X 1/2MPT	1
12	57170	STRAINER, NYLON T-STYLE 1/2FPT	1
13	10680	BARB, 1/2HOSE X 1/2MPT (PLASTIC)	1
14	50447	FUSE & HOLDER, 10 AMP	1
15	10633	SWITCH, TOGGLE SPST 15/10A-115/250V	1
16	51262	WIRE, RED 14AWG X 30"L	1
17	10938	CONNECTOR, BUTT 16-14GA. INSULATED	1
18	50084	TERM., RING #10 16-14GA. INSULATED	2
19	10968	TERM., RING 5/16 16-14GA. INSULATED	1
*20	11579	BARB, PUSH-ON 1/2HOSE X 1/4 MPT	1
*21	10799	BARB ELBOW 90, 3/8HOSE X 1/4MPT	1
*22	11565	CLAMP, LOOM, 5/8" (SAE SIZE 10)	1
*23	10018	SCREW, CAP 1/4-20 X 3/4	1
*24	10602	WASHER, FLAT 1/4 SAE	1
*25	10861	NUT, KEPS 1/4-20	1
*26	-----	DECAL, WATER PUMP ON-OFF (PART OF DECAL KIT # 92007)	-
**27	10719	PIPE TEE, FEMALE 1/4 NPT (BRASS)	1
**28	10718	BUSHING, HEX 1/4 X 1/8 NPT (BRASS)	1
**29	51030	SWITCH, PRESSURE, MAG. IGN., N.C.	1
***30	51222	HOSE, WATER 3/8"ID X 46"L	1
1-19	THESE ITEMS ARE PRE-ASSEMBLED		
*20-26	THESE ITEMS ARE NOT PRE-ASSEMBLED		
**27-29	THESE ITEMS ARE REUSED FROM THE EXISTING UNIT. THEY ARE SHOWN FOR ASSEMBLY PURPOSES ONLY		
***30	THIS ITEM IS REUSED FROM THE EXISTING UNIT. TRIM OFF TO THE APPROPRIATE LENGTH		



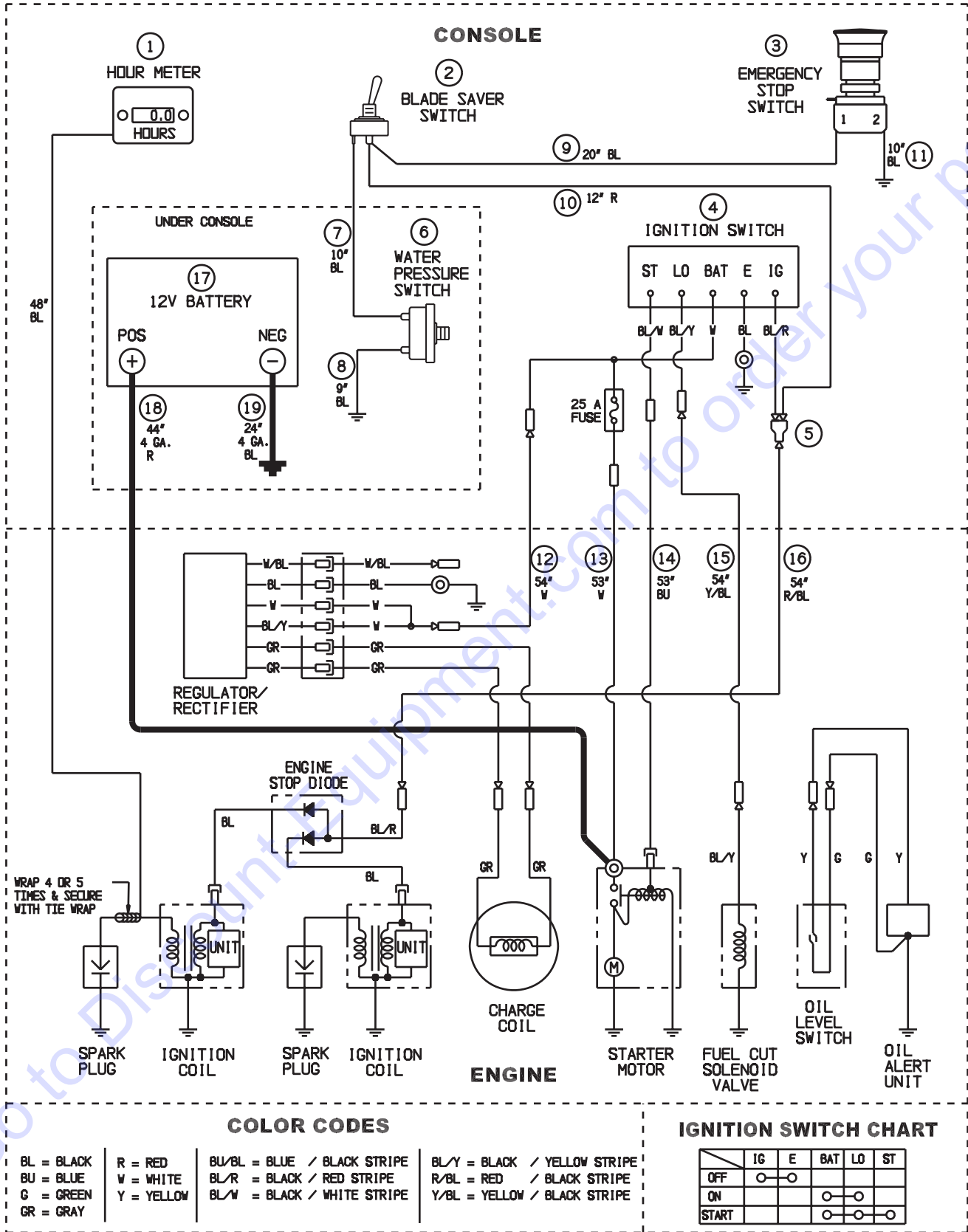
A Division of Equipment Development Company, Inc.

Printed in USA

JWA ©2009

Page 29

ILLUSTRATION 15: WIRING DIAGRAM



COLOR CODES

- BL = BLACK
- BU = BLUE
- G = GREEN
- GR = GRAY
- R = RED
- W = WHITE
- Y = YELLOW
- BU/BL = BLUE / BLACK STRIPE
- BL/R = BLACK / RED STRIPE
- BL/W = BLACK / WHITE STRIPE
- BL/Y = BLACK / YELLOW STRIPE
- R/BL = RED / BLACK STRIPE
- Y/BL = YELLOW / BLACK STRIPE

IGNITION SWITCH CHART

	IG	E	BAT	LO	ST
OFF	○	○			
ON			○	○	
START			○	○	○



PARTS LISTING - ILLUSTRATION 15: WIRING DIAGRAM			
ITEM #	PART #	DESCRIPTION	QTY.
1	15138	METER, HOUR, REDINGTON INDUCTIVE (INCLUDES 48" BLACK WIRE)	1
2	10633	BLADE SAVER SWITCH TOGGLE SPST 15/10A-115/250V	1
3	15147	EMERGENCY STOP SWITCH SWITCH PUSHBUTTON ONLY	1
	15148	CLIP ONLY	1
	15149	CONTACT BLOCK, N.O. (BACO 33E10)	1
4	15163	SWITCH ASSY., IGN. (INCLUDED W/ ENGINE)	1
5	11582	CONNECTOR, BULLET FORD 3-WAY STD.	1
6	51030	SWITCH, PRESSURE, MAG. IGN., N.C.	1
7	51431	WIRE 10" BLACK 14 GA. #10 RING TERM. BOTH ENDS	1
8	51432	WIRE 9" BLACK 14 GA. #10 RING TERM. & 1/4 RING TERM.	1
9	51433	WIRE 20" BLACK 14 GA. #10 RING TERM. ONE END	1
10	51434	WIRE 12" RED 14 GA. #10 RING TERM. & FORD BULLET CONN.	1
11	51435	WIRE 10" BLACK 14 GA. 1/4" RING TERM. ONE END	
*12	51436	WIRE 54" WHITE 14 GA. FORD BULLET CONN. & FORD LINE CONN.	1
*13	51437	WIRE 53" WHITE 14 GA BUTT CONN. & 5/16" RING TERM.	1
*14	51438	WIRE 53" BLUE 14 GA BUTT CONN. & 1/4"FEM. PUSH-ON TERM.	1
*15	51439	WIRE 54" YELLOW W/ BLACK STRIPE 14 GA. FORD BULLET CONN. & FORD LINE CONN.	1
*16	51440	WIRE 54" RED W/ BLACK STRIPE 14 GA. FORD BULLET CONN. BOTH ENDS	1
17	84011	BATTERY 12 VOLT/300 CCA(SMALL ENG.)	1
18	51425	CABLE, EYE-EYE 4GA. X 50" (RED)	1
19	50117B	CABLE, EYE-EYE 4GA. X 24" (BLACK)	1
* THESE WIRES ARE PART OF A WIRE HARNESS ASSEMBLY - PART # 51441			



A Division of Equipment Development Company, Inc.

PARTS FINDER

**Search Website
by Part Number**



**Search Manual
Library For Parts
Manual & Lookup Part
Numbers – Purchase
or Request Quote**

Search Manuals

Enter your information to help us find the right parts manual for your machine.

* Brand:

* Model:

* Serial:

* Part Number:

SEARCH

**Can't Find Part or
Manual? Request Help
by Manufacturer,
Model & Description**

Parts Order Form

Please fill in the following information to help us find the right part for your machine.

MANUFACTURER:

MODEL:

DESCRIPTION:

SEARCH

Discount-Equipment.com is your online resource for quality parts & equipment.

Florida: **561-964-4949** Outside Florida TOLL FREE: **877-690-3101**

Need parts?

Click on this link: <http://www.discount-equipment.com/category/5443-parts/> and choose one of the options to help get the right parts and equipment you are looking for. Please have the machine model and serial number available in order to help us get you the correct parts. If you don't find the part on the website or on one of the online manuals, please fill out the request form and one of our experienced staff members will get back to you with a quote for the right part that your machine needs.

We sell worldwide for the brands: Genie, Terex, JLG, MultiQuip, Mikasa, Essick, Whiteman, Mayco, Toro Stone, Diamond Products, Generac Magnum, Airman, Haulotte, Barreto, Power Blanket, Nifty Lift, Atlas Copco, Chicago Pneumatic, Allmand, Miller Curber, Skyjack, Lull, Skytrak, Tsurumi, Husquvarna Target, Stow, Wacker, Sakai, Mi-T-M, Sullair, Basic, Dynapac, MBW, Weber, Bartell, Bennar Newman, Haulotte, Ditch Runner, Menegotti, Morrison, Contec, Buddy, Crown, Edco, Wyco, Bomag, Laymor, EZ Trench, Bil-Jax, F.S. Curtis, Gehl Pavers, Heli, Honda, ICS/PowerGrit, IHI, Partner, Imer, Clipper, MMD, Koshin, Rice, CH&E, General Equipment, Amida, Coleman, NAC, Gradall, Square Shooter, Kent, Stanley, Tamco, Toku, Hatz, Kohler, Robin, Wisconsin, Northrock, Oztec, Toker TK, Rol-Air, APT, Wylie, Ingersoll Rand / Doosan, Innovatech, Con X, Ammann, Mecalac, Makinex, Smith Surface Prep, Small Line, Wanco, Yanmar