



REVISED STARTING
SERIAL # 130110019

PARTS LIST MANUAL

MODEL TLR-7



TRAFFIC LINE REMOVER

PART NO. 77500



A Division of Equipment Development Company, Inc.

PARTS FINDER

**Search Website
by Part Number**



**Search Manual
Library For Parts
Manual & Lookup Part
Numbers – Purchase
or Request Quote**

Search Manuals

Enter your information to help us find the right parts manual for your machine.

* Brand:

* Model:

* Serial:

* Part Number:

SEARCH

**Can't Find Part or
Manual? Request Help
by Manufacturer,
Model & Description**

Parts Order Form

Please fill in the following information to help us find the right part for your machine.

Manufacturer:	<input type="text"/>
Model:	<input type="text"/>
Description:	<input type="text"/>
Part Number:	<input type="text"/>
Quantity:	<input type="text"/>
Notes:	<input type="text"/>

Submit

Discount-Equipment.com is your online resource for quality parts & equipment.

Florida: **561-964-4949** Outside Florida TOLL FREE: **877-690-3101**

Need parts?

Click on this link: <http://www.discount-equipment.com/category/5443-parts/> and choose one of the options to help get the right parts and equipment you are looking for. Please have the machine model and serial number available in order to help us get you the correct parts. If you don't find the part on the website or on one of the online manuals, please fill out the request form and one of our experienced staff members will get back to you with a quote for the right part that your machine needs.

We sell worldwide for the brands: Genie, Terex, JLG, MultiQuip, Mikasa, Essick, Whiteman, Mayco, Toro Stone, Diamond Products, Generac Magnum, Airman, Haulotte, Barreto, Power Blanket, Nifty Lift, Atlas Copco, Chicago Pneumatic, Allmand, Miller Curber, Skyjack, Lull, Skytrak, Tsurumi, Husquvarna Target, Stow, Wacker, Sakai, Mi-T-M, Sullair, Basic, Dynapac, MBW, Weber, Bartell, Bennar Newman, Haulotte, Ditch Runner, Menegotti, Morrison, Contec, Buddy, Crown, Edco, Wyco, Bomag, Laymor, EZ Trench, Bil-Jax, F.S. Curtis, Gehl Pavers, Heli, Honda, ICS/PowerGrit, IHI, Partner, Imer, Clipper, MMD, Koshin, Rice, CH&E, General Equipment, Amida, Coleman, NAC, Gradall, Square Shooter, Kent, Stanley, Tamco, Toku, Hatz, Kohler, Robin, Wisconsin, Northrock, Oztec, Toker TK, Rol-Air, APT, Wylie, Ingersoll Rand / Doosan, Innovatech, Con X, Ammann, Mecalac, Makinex, Smith Surface Prep, Small Line, Wanco, Yanmar

READ AND UNDERSTAND THE OPERATORS INSTRUCTION MANUAL *THOROUGHLY* BEFORE ATTEMPTING TO OPERATE THIS EQUIPMENT.



Death or serious injury could occur if this machine is used improperly.



SAFETY MESSAGES

- Safety Instructions are preceded by a graphic alert symbol of DANGER, WARNING, or CAUTION.



Indicates an imminent hazard which, if not avoided, will result in death or serious injury.



Indicates an imminent hazard which, if not avoided, can result in death or serious injury.



Indicates hazards which, if not avoided, could result in serious injury and or damage to the equipment.

GASOLINE/PROPANE POWERED EQUIPMENT



- Engine exhaust from this product contains chemicals known to the State of California to cause cancer, birth defects or other reproductive harm.



Gasoline is extremely flammable and poisonous. It should only be dispensed in well ventilated areas, and with a cool engine.

- Small gasoline engines produce high concentrations of carbon monoxide (CO) example: a 5 HP 4 cycle engine operation in an enclosed 100,000 cu. ft. area with only one change of air per hour is capable of providing deadly concentrations of CO in less than fifteen minutes. Five changes of air in the same area will produce noxious fumes in less than 30 minutes. Gasoline or propane powered equipment should not be used in enclosed or partially enclosed areas. Symptoms of CO poisoning include, headache, nausea, weakness, dizziness, visual problems and loss of consciousness. If symptoms occur - get into fresh air and seek medical attention immediately.

ELECTRICAL POWERED EQUIPMENT



Extreme care must be taken when operating electric models with water present: Ensure power cord is properly grounded, is attached to a Ground-Fault-Interrupter (GFI) outlet, and is undamaged.

- Check all electrical cables - be sure connections are tight and cable is continuous and in good condition. Be sure cable is correctly rated for both the operating current and voltage of this equipment.
- Improper connection of the equipment-grounding conductor can result in a risk of electric shock. Check with qualified electrician or service person if there is any doubt as to whether the outlet is properly grounded. Adhere to all local codes and ordinances.
- **NOTE:** In the event of a malfunction or breakdown, grounding provides a path of least resistance for the electric current to dissipate. The motor is equipped with a grounded plug and must be connected to an outlet that is properly installed and properly grounded. DO NOT modify the plug provided on the motor. If the plug does not fit the outlet have a qualified electrician install the proper receptacle.
- Switch motor OFF **before** disconnecting power.

- Do not disconnect power by pulling cord. To disconnect, grasp the plug, not the cord.
- Unplug power cord at the machine when not in use and before servicing.

GENERAL INSTRUCTIONS

- Equipment should only be operated by trained personnel in good physical condition and mental health (not fatigued). The operator and maintenance personnel must be physically able to handle the bulk weight and power of this equipment.
- This is a one person tool. Maintain a safe operating distance to other personnel. It is the **operators' responsibility** to keep other people (workers, pedestrians, bystanders, etc.) away during operation. Block off the work area in all directions with roping, safety netting, etc. for a safe distance. Failure to do so may result in others being injured by flying debris or exposing them to harmful dust and noise.
- This equipment is intended for commercial use only.
- For the operator's safety and the safety of others, always keep all guards in place during operation.
- Never let equipment run unattended.



- Personal Protection Equipment and proper safety attire must be worn when operating this machinery. The operator must wear approved safety equipment appropriate for the job such as hard hat and safety shoes when conditions require. Hearing protection **MUST** be used (operational noise levels of this equipment may exceed 90db). Eye protection **MUST** be worn at all times.



Keep body parts and loose clothing away from moving parts. Failure to do so could result in dismemberment or death.

- Do not modify the machine.
- Stop motor/engine when adjusting or servicing this equipment.



Maintain a safe operating distance from flammable materials. Sparks from the cutting-action of this machine can ignite flammable materials or vapors.

DUST WARNING



Some dust created by power sanding, sawing, grinding, drilling, and other construction activities contains chemicals known to cause cancer, birth defects, or other reproductive harm. Some examples of these chemicals are:

- Lead from lead-based paints, and
- Crystalline silica from bricks and concrete and other masonry products.

Your risk of exposure to these chemicals varies depending on how often you do this type of work. To reduce your risk: work in a well ventilated area, use a dust control system, such as an industrial-style vacuum, and wear approved personal safety equipment, such as a dust/particle respirator designed to filter out microscopic particles.

PARTS LIST MANUAL

MODEL TLR-7

TRAFFIC LINE REMOVER

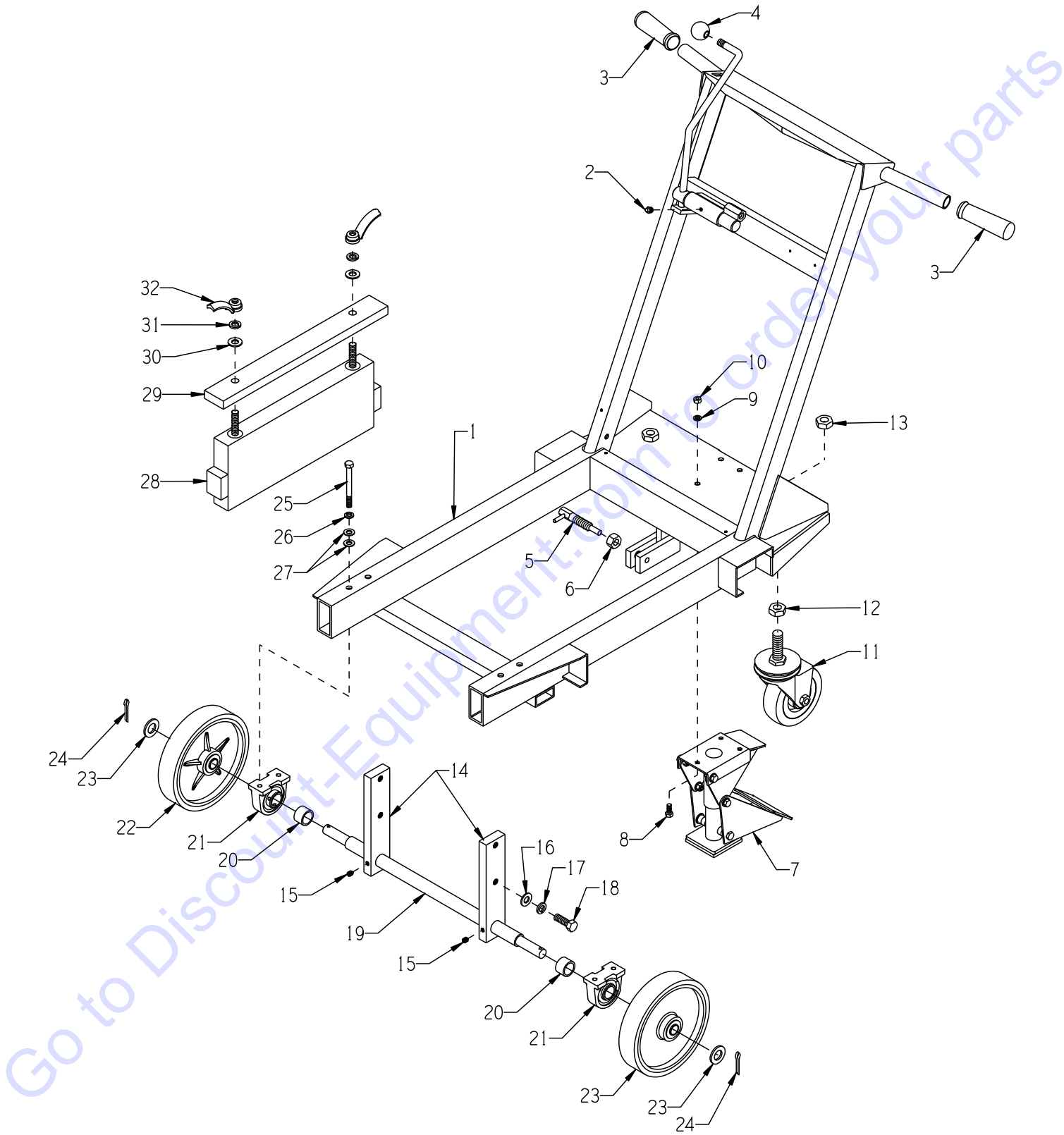
TABLE OF CONTENTS

<u>Section</u>	<u>Pages</u>
Safety Messages and General Instructions	2
How To Order Replacement Parts	3
Illustration 1: Outer Frame Grouping	4, 5
Illustration 2: Inner Frame Grouping	6, 7
Illustration 3: Handwheel & Linkage Grouping	8, 9
Illustration 4: Rotary Cutter Head Assembly	10, 11
Illustration 5: Engine & Drive Grouping	12, 13, 14
Notes	14
Decal Sheet	15
Limited Equipment Warranty of Sale - Terms & Conditions	16 (Back Page)



A Division of Equipment Development Company, Inc.

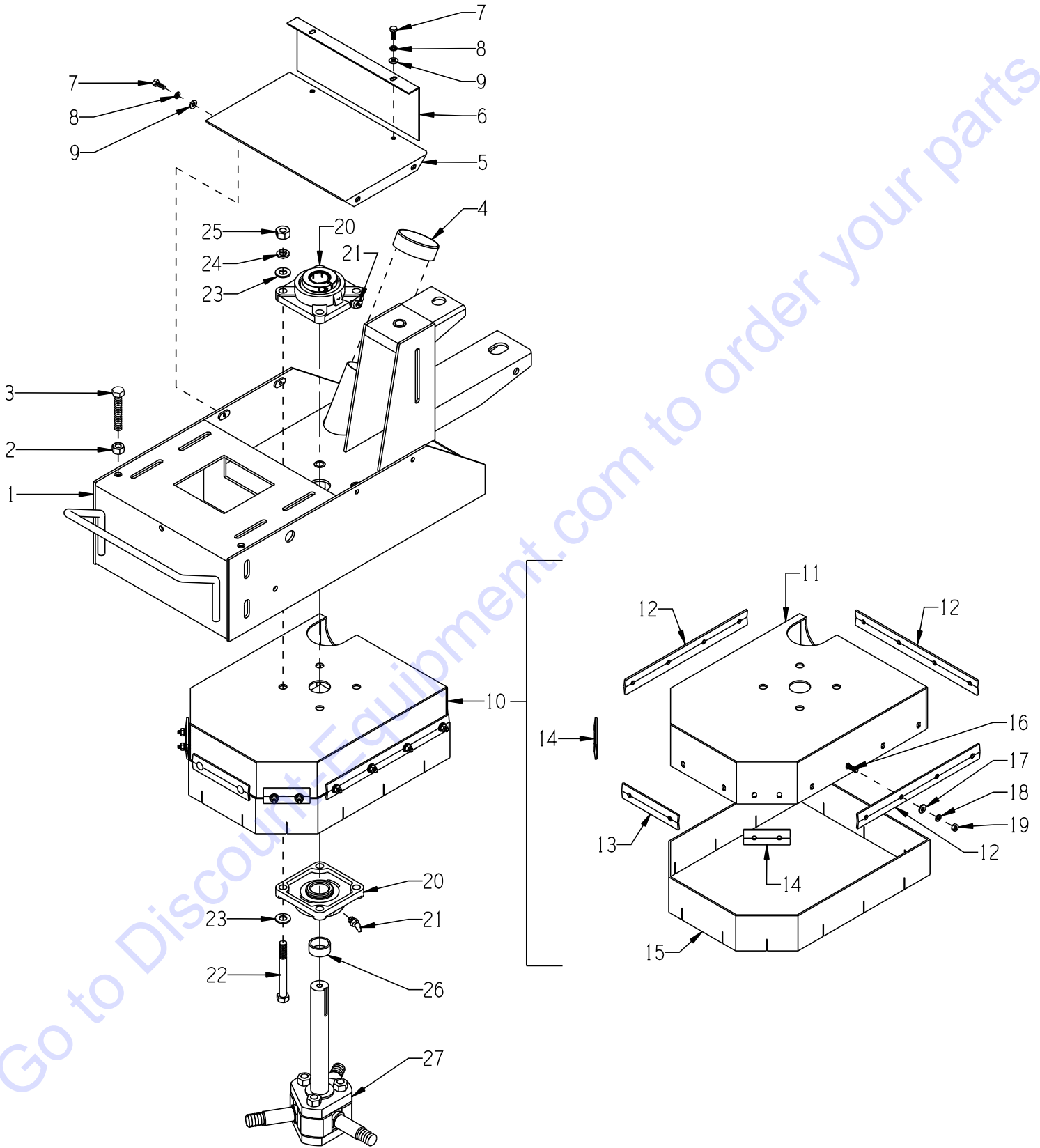
ILLUSTRATION 1: OUTER FRAME GROUPING



PARTS LISTING - ILLUSTRATION 1 : OUTER FRAME GROUPING			
ITEM #	PART #	DESCRIPTION	QTY.
1	68022	OUTER FRAME W/ HANDLE, TLR-7	1
2	10953	FITTING, GREASE 1/8 NPT STRAIGHT	1
3	61108	GRIP, HAND 1" MODEL SX	2
4	14023	KNOB, BALL 1-3/8 W/ 1/2-13THD, BLK.	1
5	68081	PLUNGER, SPRING 5/8-11 THD.	1
6	10046	NUT, HEX 5/8-11 ZINC	1
7	68036	KICK STAND ASSY., TLR-7 (BREAKDOWN AVAILABLE UPON REQUEST)	1
	68007	PAD, RUBBER 3"SQ. X 1/4"THK.. (INCLUDED W/ 68036)	1
8	10053	SCREW, CAP 5/16-18 X 3/4	3
9	10801	WASHER, LOCK 5/16 ZINC	3
10	10054	NUT, HEX 5/16-18 ZINC	3
11	68020A	CASTER, SWIVEL, TLR-7	2
12	10403	NUT, HEX JAM 3/4-10 ZINC	2
13	68058	NUT, HEX NYLON JAM 3/4-10 ZINC	2
14	68046	HOLDER, FRONT AXLE, TLR-7	2
15	10052	SCREW, SET 5/16-18 X 3/8	2
16	10312	WASHER, FLAT 1/2 SAE ZINC	4
17	10045	WASHER, LOCK 1/2 ZINC	4
18	10143	BOLT, TAP 1/2-13 X 1-1/2 (FULL THD)	4
19	68045	AXLE SHAFT, FRONT 23"L, TLR-7	1
20	68047	SPACER, FRONT AXLE, TLR-7	2
21	50222	BEARING, BALL 1" TPB	2
22	68008	WHEEL 8 X 1-5/8 X 3/4"BRG., POLY	2
23	10009	WASHER, FLAT 3/4 SAE ZINC	2
24	10306	PIN, COTTER 3/16 X 1-1/2	2
25	10318	SCREW, CAP 3/8-16 X 3-3/4	4
26	10811	WASHER, LOCK 3/8 ZINC	4
27	10025	WASHER, FLAT 3/8 SAE ZINC	8
28	68037	WEIGHT, 41 LB., TLR-7	2
29	68038	WEIGHT BAR, 7 LB., TLR-7	2
30	10312	WASHER, FLAT 1/2 SAE ZINC	2
31	10045	WASHER, LOCK 1/2 ZINC	2
32	68040	NUT, TAIL HANDLE 1/2-13, TLR-7	2



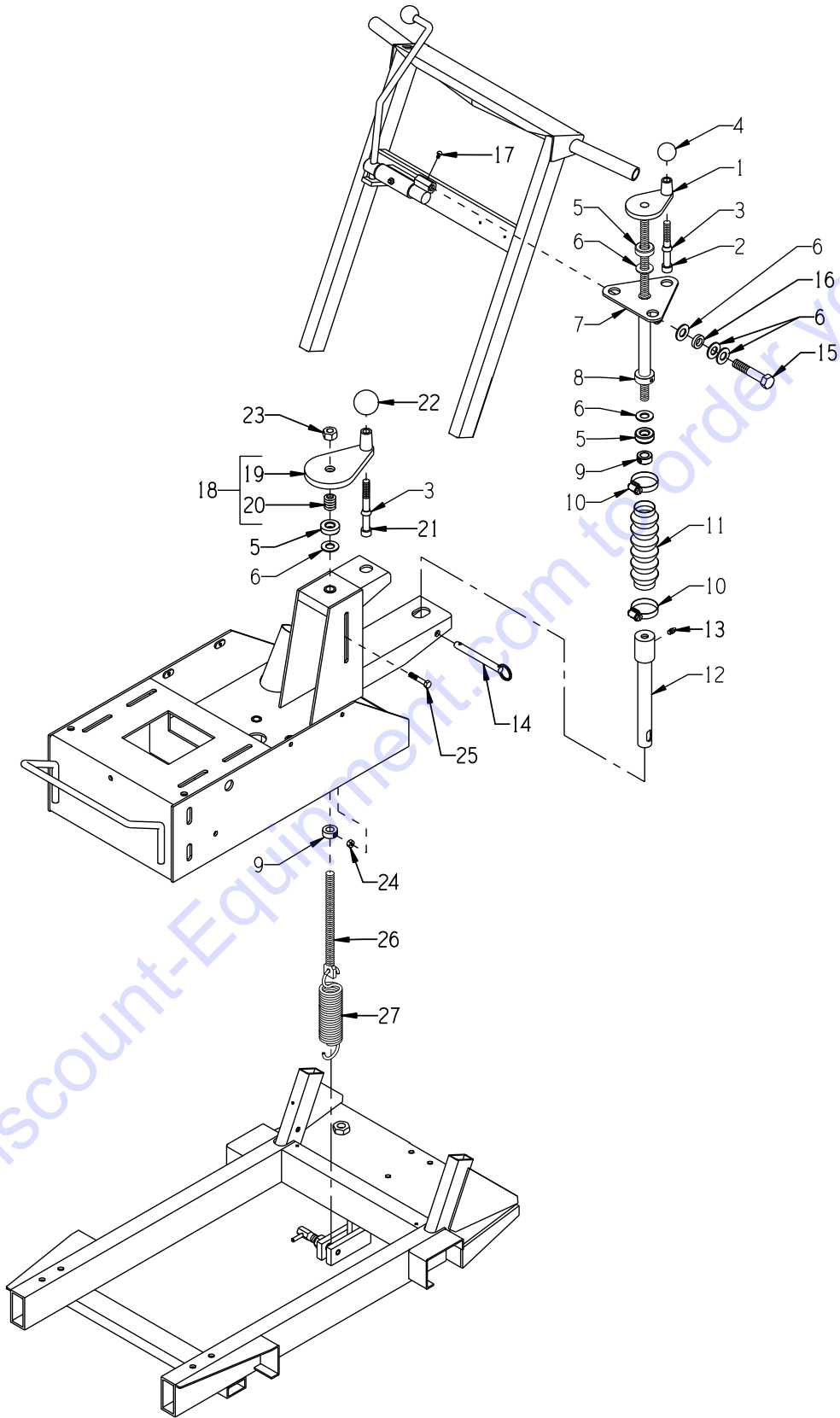
ILLUSTRATION 2: INNER FRAME GROUPING



PARTS LISTING - ILLUSTRATION 2 : INNER FRAME GROUPING			
ITEM #	PART #	DESCRIPTION	QTY.
1	68021	FRAME, INNER, TLR-7	1
2	10417	NUT, HEX 1/2-13 ZINC	2
3	10340	BOLT, TAP 1/2-13 X 3 (FULL THREAD)	2
4	64030	CAP, END 3" BLUE PLASTIC	1
5	68057	COVER, BELT, TLR-7	1
6	68056	COVER REAR PANEL, BELT, TLR-7	1
7	10018	SCREW, CAP 1/4-20 X 3/4	6
8	10038	WASHER, LOCK 1/4 ZINC	6
9	10602	WASHER, FLAT 1/4 SAE ZINC	6
10	68025A	GUARD & SKIRT SUBASSEMBLY, TLR-7 (INCLUDES ITEMS 11 THRU 19)	1
11	68025	GUARD, CUTTER HEAD, TLR-7	1
12	68026	RETAINER, SKIRT 12", TLR-7	3
13	68028	RETAINER, SKIRT 5-1/2", TLR-7	1
14	68029	RETAINER, SKIRT 3-1/4", TLR-7	2
15	68030	SKIRT, RUBBER, TLR-7 3" X 108"(9 FT.) X 1/16"THK.	1
16	10412	BOLT, CARRIAGE 1/4-20 X 1	18
17	10602	WASHER, FLAT 1/4 SAE ZINC	18
18	10038	WASHER, LOCK 1/4 ZINC	18
19	10013	NUT, HEX 1/4-20 ZINC	18
20	79012	BEARING, BALL 1-1/4" 4-HOLE FLANGE	2
21	10006	FITTING, GREASE 1/8 NPT X 45D	2
22	10409	SCREW, CAP 1/2-20 X 4-1/2	4
23	10312	WASHER, FLAT 1/2 SAE ZINC	8
24	10045	WASHER, LOCK 1/2 ZINC	4
25	10205	NUT, HEX LOCK 1/2-20 ZINC	4
26	68019	SPACER, ROTARY HEAD MAIN SHAFT 1-1/2"OD X 1-1/4"ID X 1/2"THK	1
27	68068	SPIDER ASSY., ROTARY HEAD, TLR-7 (SEE ILLUSTRATION 4 FOR BREAKDOWN)	1



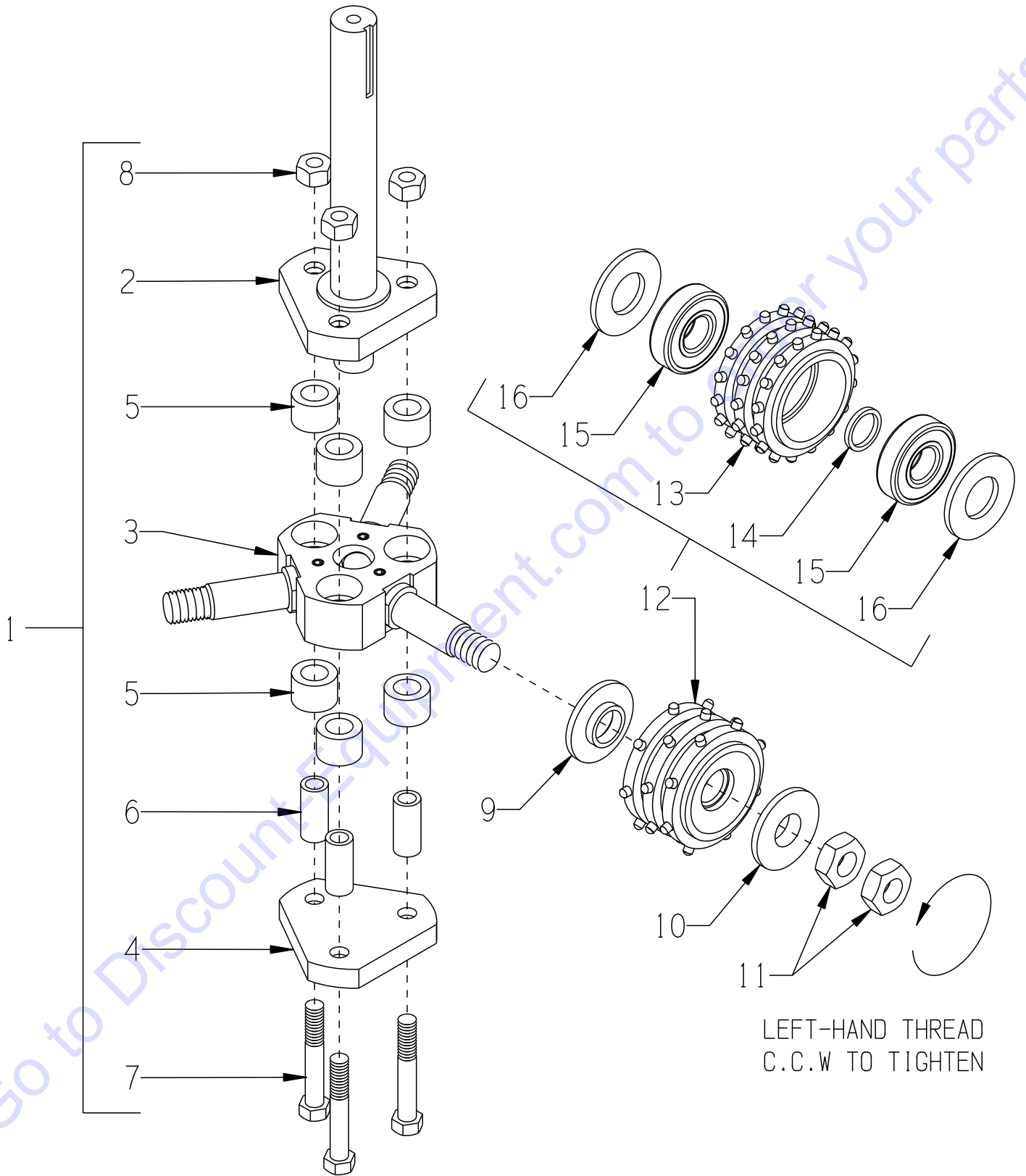
ILLUSTRATION 3: HANDWHEEL & LINKAGE GROUPING



PARTS LISTING - ILLUSTRATION 3: HANDWHEEL & LINKAGE GROUPING			
ITEM #	PART #	DESCRIPTION	QTY.
1	65008	HANDWHEEL, SMALL W/ 5/8-8 X 18"ROD	1
2	10411	SCREW, SKT. HD. CAP 1/2-13 X 4 ZINC	1
3	50550	SLEEVE, BRASS 1/2" TAPERED	2
4	14023	KNOB, BALL 1-3/8 W/ 1/2-13THD, BLK.	1
5	85005	BEARING, THRUST BALL 5/8	3
6	10073	WASHER, FLAT 5/8 SAE ZINC	5
7	68086	LINKAGE SUPPORT, UPPER CONTROL, TLR7	1
8	10440	COLLAR, LOCKING 7/8"ID	1
9	10096	COLLAR, LOCKING 5/8"ID (NOTE: SET SCREW REMOVED AND CAPSCREW USED, ITEM 25, FOR PRESSURE CONTROL LINKAGE ONLY.)	2
10	10784	CLAMP, HOSE, SAE #20, ADJ. TO 1-3/4	2
11	10930	BELLOWS 1-1/4ID X 2-3/8EL X 1-3/4RL	1
12	68043	LINKAGE, LOWER CONTROL 5/8-8 THD.	1
13	10808	FITTING, GREASE 1/4-28 STRAIGHT	1
14	68082	PIN, DETENT RING 1/2 X 4 E.L.	1
15	10359	SCREW, CAP 5/8-11 X 3-1/4	1
16	79035	BUSHING, RUBBER 1-1/16 X 5/8 X 1/4	1
17	10127	SCREW, DRIVE 1/8 X 1/4"L	1
18	68083A	HANDWHEEL, LARGE W/ 5/8-11 INSERT (THESE 2 PARTS ARE ASSEMBLED W/ RED LOCTITE)	1
19	68083	HANDWHEEL, LARGE W/ 7/8-9 THD. (NOT FOR REPLACEMENT- SEE ITEM 18)	1
20	68084	THREAD INSERT 7/8-9 X 5/8-11 (NOT FOR REPLACEMENT- SEE ITEM 18)	1
21	10346	SCREW, SKT. HD. CAP 1/2-13 X 4-1/2	1
22	10104	KNOB, BALL 1-7/8 W/ 1/2-13THD, BLK.	1
23	11707	NUT, HEX NYLON LOCK 5/8-11 ZINC	1
24	10054	NUT, HEX 5/16-18 ZINC	1
25	10204	SCREW, CAP 5/16-18 X 1-3/4	1
26	68085	LINKAGE, PRESSURE CONTROL 5/8-11	1
27	41041	SPRING, EXT. 1.75"OD X 8"L	1



ILLUSTRATION 4: ROTARY CUTTER HEAD ASSEMBLY

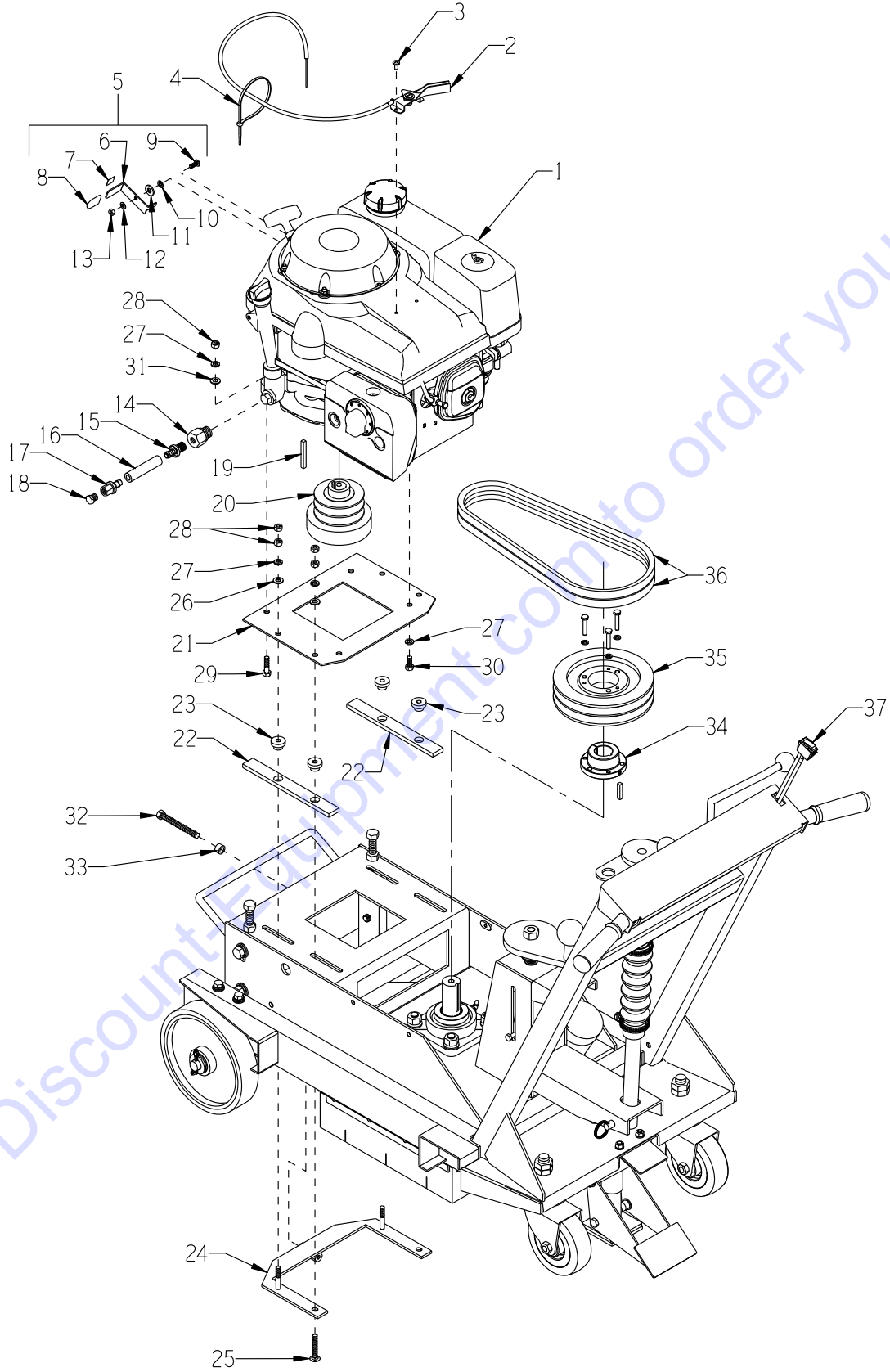


PARTS LISTING - ILLUSTRATION 4 : ROTARY CUTTER HEAD ASSEMBLY

ITEM #	PART #	DESCRIPTION	QTY.
1	68068	SPIDER ASSY., ROTARY HEAD, TLR-7 (INCLUDES ITEMS 2 THRU 8)	1
2	68011	SHAFT & FLANGE, ROTARY, TLR-7	1
3	68065A	HUB ASSY. W/ SHAFTS, TLR-7	1
	10126	REPLACEMENT SPRING PINS: PIN, H.D.COILED SPRING 5/16 X 1-1/2	3
4	68013	FLANGE, ROTARY CUTTER HD BASE, TLR7	1
5	68001	BUSHING, RUBBER 1-1/4 X 49/64 X 7/8	6
6	68018	SLEEVE, RUBBER BUSHING, TLR-7	3
7	10370	SCREW, CAP 1/2-20 X 3-1/4 (GRADE 8)	3
8	10205	NUT, HEX LOCK 1/2-20 ZINC	3
9	68067	FLANGE, ROTARY CUTTER INNER, TLR-7	3
10	68016	FLANGE, ROTARY CUTTER OUTER, TLR-7	3
11	10445	NUT, HEX JAM 7/8-9 LEFT-HAND THREAD	6
12		TR3 CUTTER ASSEMBLIES	1-SET
	26010	TR3-24 SET OF 3 TRI-CUT CUTTERS (24-BIT)	
	26020	TR3-48 SET OF 3 TRI-CUT CUTTERS (48 BIT)	
13	-----	CUTTER ONLY (NOT AVAILABLE SEPARATE)	-
14	68017	SPACER 1-1/4"OD X 1"ID X 5/32"THK.	1 EA.*
15	68004	BEARING, RADIAL BALL 25 X 62 X 17MM	2 EA.*
16	68006	SEAL, FELT 2-1/2OD X 1-1/4ID X 3/16	2 EA.*
* NOTE: QUANTITIES FOR THESE ITEMS ARE BASED PER CUTTER. 3 CUTTERS ARE REQUIRED TOTAL.			



ILLUSTRATION 5: ENGINE & BELT DRIVE GROUPING



PARTS LISTING - ILLUSTRATION 5: ENGINE & BELT DRIVE GROUPING			
ITEM #	PART #	DESCRIPTION	QTY.
1	76004	ENGINE, HONDA GXV340UT2-DX3	1
2	40388	CABLE, THROTTLE, LEVER-TYPE 24"	1
3	10858	SCREW, SHEET METAL #10 X 1/2	2
4	10982	TIE, CABLE, BLACK NYLON 11-1/4"	1
5	15190	MANUAL CHOKE KIT FOR HONDA GXV340	1
6	15183	LEVER, CHOKE CONTROL, GXV340	1
7	91301	DECAL, CHOKE 5/8 X 5/8	1
8	15184	CAP, FLAT RED .062 X .75 X 1	1
9	15185	SCREW, MACHINE M6 X 16MM PHILLIP HD	1
10	15188	WASHER .265"ID,.50"OD,.029-.035"THK	1
11	15187	WASHER, FIBER .75 X .25 X .093	1
12	15186	WASHER, BELLEVILLE .500 X.255 X.018	1
13	28026	NUT, HEX NYLON LOCK M6 X 1MM	1
14	11689	ADAPTER, 20MM X 1.5 TO 1/4FPT	1
15	10657	BARB, PUSH-ON 3/8 HOSE X 1/4MPT	1
16	56116	HOSE, PUSH-ON 3/8"ID X 3"L	1
17	11544	BARB, PUSH-ON 3/8 HOSE X 1/4FPT	1
18	10776	PIPE PLUG 1/4 NPT (BRASS)	1
19	-----	KEY (INCLUDED W/ ENGINE)	1
20	76024	CLUTCH, CENTRIFUGAL 3.5 X 2GR X 1	1
21	68033	MOUNT PLATE, ENGINE, TLR-7	1
22	68034	SPACER, ENGINE MOUNT, TLR-7	2
23	10225	BUSHING, RUBBER, ENGINE MOUNT	4
24	68035	TENSIONER, ENGINE TLR-7	1
25	10056	BOLT, CARRIAGE 5/16-18 X 2	2
26	10213	WASHER, FLAT 5/16 SAE ZINC	6
27	10801	WASHER, LOCK 5/16 ZINC	8
28	10054	NUT, HEX 5/16-18 ZINC	10
29	10606	SCREW, CAP 5/16-18 X 1-1/4	2
30	10048	SCREW, CAP 5/16-24 X 3/4	2
31	-----	SEE ITEM 26	-
32	52015	BOLT, TAP 3/8-16 X 3-1/2(FULL THD.)	1
33	10011	SPACER, STEEL 5/8OD X 3/8ID X 3/8T	1
34	10064	BUSHING, SHEAVE SDS X 1-1/4"BORE	1
35	75010	SHEAVE 6.9"OD X 2GR.B X SDS	1
36	10251	BELT B-34 (21/32" x 13/32" x 37"OL)	2

CONTINUED ON PAGE 14



A Division of Equipment Development Company, Inc.

Printed in USA

JWA ©2013

Page 13

PARTS FINDER

**Search Website
by Part Number**



**Search Manual
Library For Parts
Manual & Lookup Part
Numbers – Purchase
or Request Quote**

Search Manuals

Enter your information to help us find the right parts manual for your machine.

* Brand:

* Model:

* Serial:

* Part Number:

SEARCH

**Can't Find Part or
Manual? Request Help
by Manufacturer,
Model & Description**

Parts Order Form

Please fill in the following information to help us find the right part for your machine.

Manufacturer:	<input type="text"/>
Model:	<input type="text"/>
Description:	<input type="text"/>
Part Number:	<input type="text"/>
Quantity:	<input type="text"/>
Notes:	<input type="text"/>

Discount-Equipment.com is your online resource for quality parts & equipment.

Florida: **561-964-4949** Outside Florida TOLL FREE: **877-690-3101**

Need parts?

Click on this link: <http://www.discount-equipment.com/category/5443-parts/> and choose one of the options to help get the right parts and equipment you are looking for. Please have the machine model and serial number available in order to help us get you the correct parts. If you don't find the part on the website or on one of the online manuals, please fill out the request form and one of our experienced staff members will get back to you with a quote for the right part that your machine needs.

We sell worldwide for the brands: Genie, Terex, JLG, MultiQuip, Mikasa, Essick, Whiteman, Mayco, Toro Stone, Diamond Products, Generac Magnum, Airman, Haulotte, Barreto, Power Blanket, Nifty Lift, Atlas Copco, Chicago Pneumatic, Allmand, Miller Curber, Skyjack, Lull, Skytrak, Tsurumi, Husquvarna Target, Stow, Wacker, Sakai, Mi-T-M, Sullair, Basic, Dynapac, MBW, Weber, Bartell, Bennar Newman, Haulotte, Ditch Runner, Menegotti, Morrison, Contec, Buddy, Crown, Edco, Wyco, Bomag, Laymor, EZ Trench, Bil-Jax, F.S. Curtis, Gehl Pavers, Heli, Honda, ICS/PowerGrit, IHI, Partner, Imer, Clipper, MMD, Koshin, Rice, CH&E, General Equipment, Amida, Coleman, NAC, Gradall, Square Shooter, Kent, Stanley, Tamco, Toku, Hatz, Kohler, Robin, Wisconsin, Northrock, Oztec, Toker TK, Rol-Air, APT, Wylie, Ingersoll Rand / Doosan, Innovatech, Con X, Ammann, Mecalac, Makinex, Smith Surface Prep, Small Line, Wanco, Yanmar