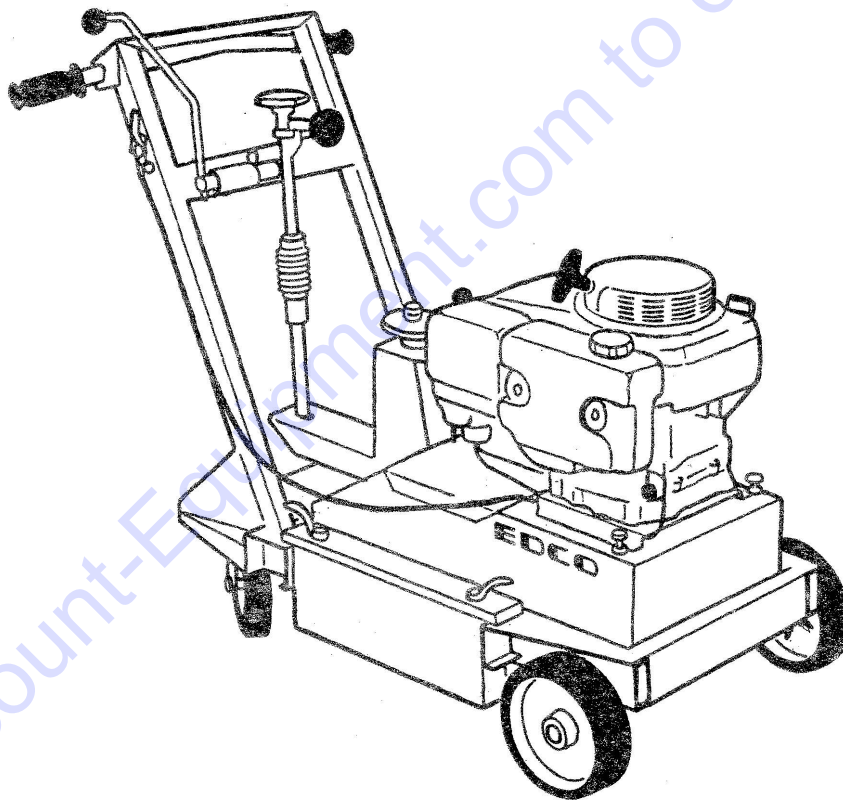
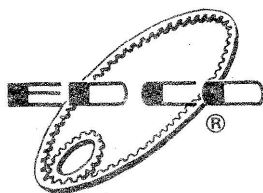


# TRAFFIC LINE REMOVER

INSTRUCTIONS AND PARTS MANUAL



Model TLR-7



# PARTS FINDER

**Search Website  
by Part Number**



**Search Manual  
Library For Parts  
Manual & Lookup Part  
Numbers – Purchase  
or Request Quote**

**Search Manuals**

Enter your information to help us find the right parts manual for your machine.

\* Brand:

\* Model:

\* Serial:

\* Part Number:

SEARCH

**Can't Find Part or  
Manual? Request Help  
by Manufacturer,  
Model & Description**

**Parts Order Form**

Please fill in the following information to help us find the right part for your machine.

MANUFACTURER:

MODEL:

DESCRIPTION:

SEARCH

Discount-Equipment.com is your online resource for quality parts & equipment.

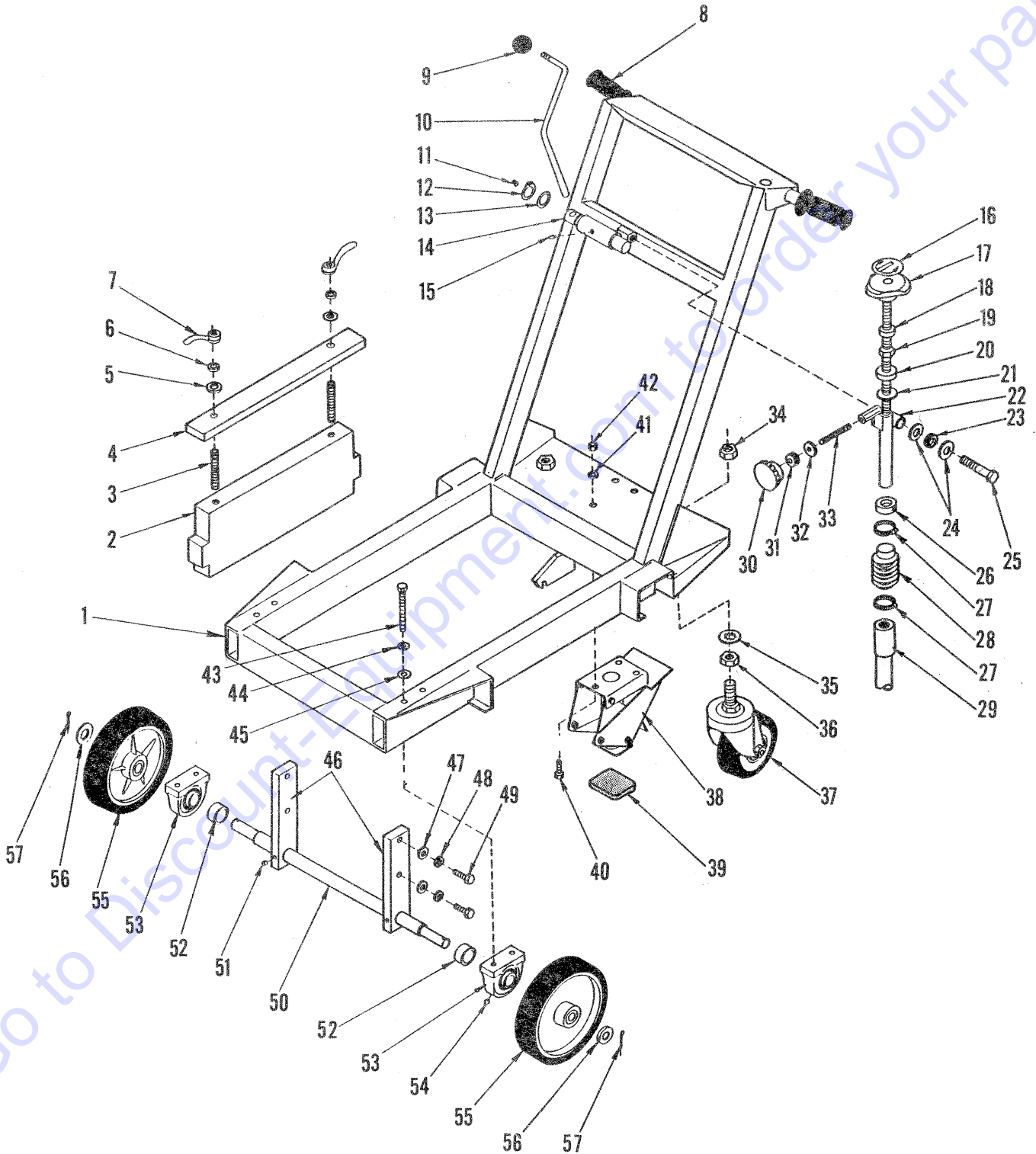
Florida: **561-964-4949** Outside Florida TOLL FREE: **877-690-3101**

**Need parts?**

Click on this link: <http://www.discount-equipment.com/category/5443-parts/> and choose one of the options to help get the right parts and equipment you are looking for. Please have the machine model and serial number available in order to help us get you the correct parts. If you don't find the part on the website or on one of the online manuals, please fill out the request form and one of our experienced staff members will get back to you with a quote for the right part that your machine needs.

We sell worldwide for the brands: Genie, Terex, JLG, MultiQuip, Mikasa, Essick, Whiteman, Mayco, Toro Stone, Diamond Products, Generac Magnum, Airman, Haulotte, Barreto, Power Blanket, Nifty Lift, Atlas Copco, Chicago Pneumatic, Allmand, Miller Curber, Skyjack, Lull, Skytrak, Tsurumi, Husquvarna Target, Stow, Wacker, Sakai, Mi-T-M, Sullair, Basic, Dynapac, MBW, Weber, Bartell, Bennar Newman, Haulotte, Ditch Runner, Menegotti, Morrison, Contec, Buddy, Crown, Edco, Wyco, Bomag, Laymor, EZ Trench, Bil-Jax, F.S. Curtis, Gehl Pavers, Heli, Honda, ICS/PowerGrit, IHI, Partner, Imer, Clipper, MMD, Koshin, Rice, CH&E, General Equipment, Amida, Coleman, NAC, Gradall, Square Shooter, Kent, Stanley, Tamco, Toku, Hatz, Kohler, Robin, Wisconsin, Northrock, Oztec, Toker TK, Rol-Air, APT, Wylie, Ingersoll Rand / Doosan, Innovatech, Con X, Ammann, Mecalac, Makinex, Smith Surface Prep, Small Line, Wanco, Yanmar

Fig. 1: Outer Frame Assembly

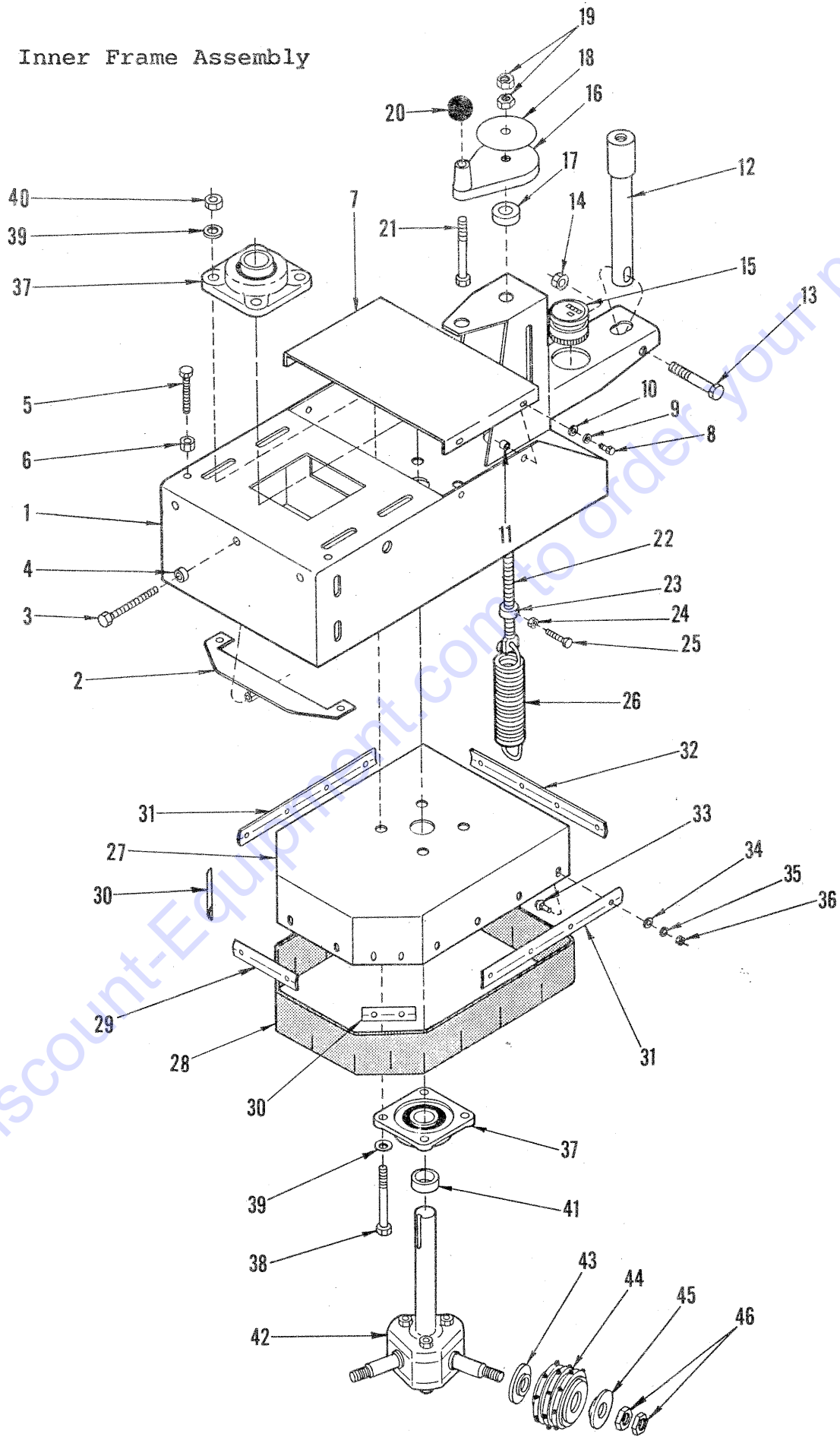


## Parts List-Fig. 1: Outer Frame Assembly

Item #	Part #	Qty.	Description
1.	68022	1	Outer Frame w/Handle
2.	68037	2	Weight
3.	68039	4	Stud 1/2-13 x 3-1/2
4.	68038	2	Weight Bar
5.	10312	4	Washer, Flat 1/2
6.	10045	4	Washer, Lock 1/2
7.	68040	4	Tailnut 1/2-13
8.	61108	2	Grip, Hand 1" Ribbed
9.	14023	1	Knob, Ball 1/2-13 x 1-3/8RD.
10.	68024	1	Lever, Cam
11.	10052	1	Screw, Set 5/16-18 x 3/8
12.	10906	1	Snap Ring, Ext. 1"
13.	3629	1	Spacer, Copper Thrust 1"ID x 1-1/4
14.	68023	1	Cam Assembly
15.	10953	1	Fitting, Grease 1/8 NPT
16.	80007	1	Decal, "Cut Control" (Small)
17.	68041	1	Knob, Control w/5/8-8 x 16" Rod
18.	10096	1	Collar, Locking 5/8
19.	50008	1	Nut 5/8-8 Acme
20.	85005	1	Bearing, Ball 5/8ID x 1-1/2"OD Thrust
21.	10073	1	Washer, Flat 5/8
22.	68042	1	Support, Upper Control Linkage
23.	79035	1	Bushing, Rubber 5/8ID
24.	10073	2	Washer, Flat 5/8
25.	10359	1	Screw, Cap 5/8-11 x 3-1/4
26.	10440	2	Collar, Locking 7/8
27.	10713	2	Clamp, Hose Adjustable 1" to 2"
28.	10930	1	Bellows 1-1/4ID x 2-3/8EL x 1-3/4RL
29.	68043	1	Linkage, Lower Control (See Fig.2 Item #12)
30.	10923	1	Knob, Fluted 3/8-16 x 2"Dia
31.	56018	1	Bushing, Rubber 3/8ID x 1/4 Thk.
32.	10025	1	Washer, Flat 3/8
33.	68051	1	Stud 3/8-16 x 3-1/4
34.	68058	2	Nut, Nylon Lock 3/4-10
35.	10609	2	Washer, Int. Tooth 3/4
36.	10403	2	Nut, Jam 3/4-10
37.	68020	2	Caster, Swivel 5" Wheel w/ 3/4-10 Stem
38.	68036	1	Kick Stand Assembly
39.	68007	1	Pad, Rubber (Kick Stand)
40.	10053	3	Screw, Cap 5/16-18 x 3/4
41.	10801	3	Washer, Lock 5/16
42.	10054	3	Nut 5/16-18
43.	10318	4	Screw, Cap 3/8-16 x 3-3/4
44.	10811	4	Washer, Lock 3/8
45.	10025	4	Washer, Flat 3/8
46.	68046	2	Holder, Front Axle
47.	10312	4	Washer, Flat 1/2
48.	10045	4	Washer, Lock 1/2
49.	10356	4	Screw, Cap 1/2-13 x 1-1/2
50.	68045	1	Axle Shaft, Front
51.	10052	2	Screw, Set 5/16-18 x 3/8
52.	68047	2	Spacer, Front Axle
53.	50222	2	Bearing, Ball 1" Tapped Block
54.	10006	2	Fitting, Grease 1/8NPT x 45D
55.	68008	2	Wheel, Poly 8 x 1-5/8 x 3/4Brg.
56.	10009	2	Washer, Flat 3/4
57.	10306	2	Pin, Cotter 3/16 x 1-1/2

Go to Discount Equipment.com to order your parts

Fig. 2: Inner Frame Assembly



## Parts List-Fig. 2: Inner Frame Assembly

Item #	Part #	Qty.	Description
1.	68021	1	Frame, Inner
2.	68035	1	Tensioner, Engine
3.	52015	1	Screw, Cap 3/8-16 x 3-1/2 Full Thd.
4.	10011	1	Spacer, Steel 5/8OD x 3/8ID x 3/8W
5.	10340	2	Screw, Cap 1/2-13 x 3" Full Thd.
6.	10417	2	Nut 1/2-13
7.	68057	1	Cover, Belt
8.	10018	4	Screw, Cap 1/4-20 x 3/4
9.	10038	4	Washer, Lock 1/4
10.	10602	4	Washer, Flat 1/4
11.	10439	4	Nutsert 1/4-20
12.	68043	1	Linkage, Lower Control
13.	81001	1	Screw, Cap 1/2-13 x 4
14.	10407	1	Nut, Lock 1/2-13
15.	68055	1	Meter, Hour (Vibration)
16.	68053	1	Handwheel, Large w/ 5/8-8 Thd.
17.	85005	1	Bearing, Ball 5/8ID x 1-1/2OD Thrust
18.	68054	1	Decal, "Pressure Control"
19.	50008	2	Nut 5/8-8 Acme
20.	10104	1	Knob, Ball 1/2-13 x 1-7/8Rd.
21.	10346	1	Screw, Skt. Hd. Cap 1/2-13 x 4-1/2
22.	68044	1	Linkage, Pressure Control
23.	10096	1	Collar, Locking 5/8
24.	10464	1	Nut 1/4-28
25.	10385	1	Screw, Cap 1/4-28 x 1-1/4
26.	41041	1	Spring, Ext. 1.75"OD x 8" x .207Wire
27.	68025	1	Guard, Cutter Head
28.	68030	1	Skirt, Rubber
29.	68029	1	Retainer, Skirt 3-1/4
30.	68028	2	Retainer, Skirt 5-1/2
31.	68026	2	Retainer, Skirt 12"
32.	68027	1	Retainer, Skirt 11-1/2
33.	10412	18	Bolt, Carr. 1/4-20 x 1
34.	10602	18	Washer, Flat 1/4
35.	10038	18	Washer, Lock 1/4
36.	10013	18	Nut 1/4-20
37.	68002	2	Bearing, Ball 1-1/4 4 Hole w/ SKWEZLOC
	10006	2	Fitting, Grease 1/8NPT x 45D
38.	10386	4	Screw, Cap 1/2-13 x 4-1/2
39.	10312	8	Washer, Flat 1/2
40.	10407	4	Nut, Lock 1/2-13
41.	68019	1	Spacer, Rotary Head Main Shaft
42.	68068	1	Spider Assembly, Rotary Head (See Fig. 3 For Breakdown)
43.	68015	3	Flange, Rotary Cutter Inner
44.	26010	1	TR-3 Set of 3 Rotary Cutters Complete (See Fig. 3 For Breakdown)
45.	68016	3	Flange, Rotary Cutter Outer
46.	10445	6	Nut, Jam 7/8-9 L.H.

Go to [Disco-Equipment.com](#) to order your parts

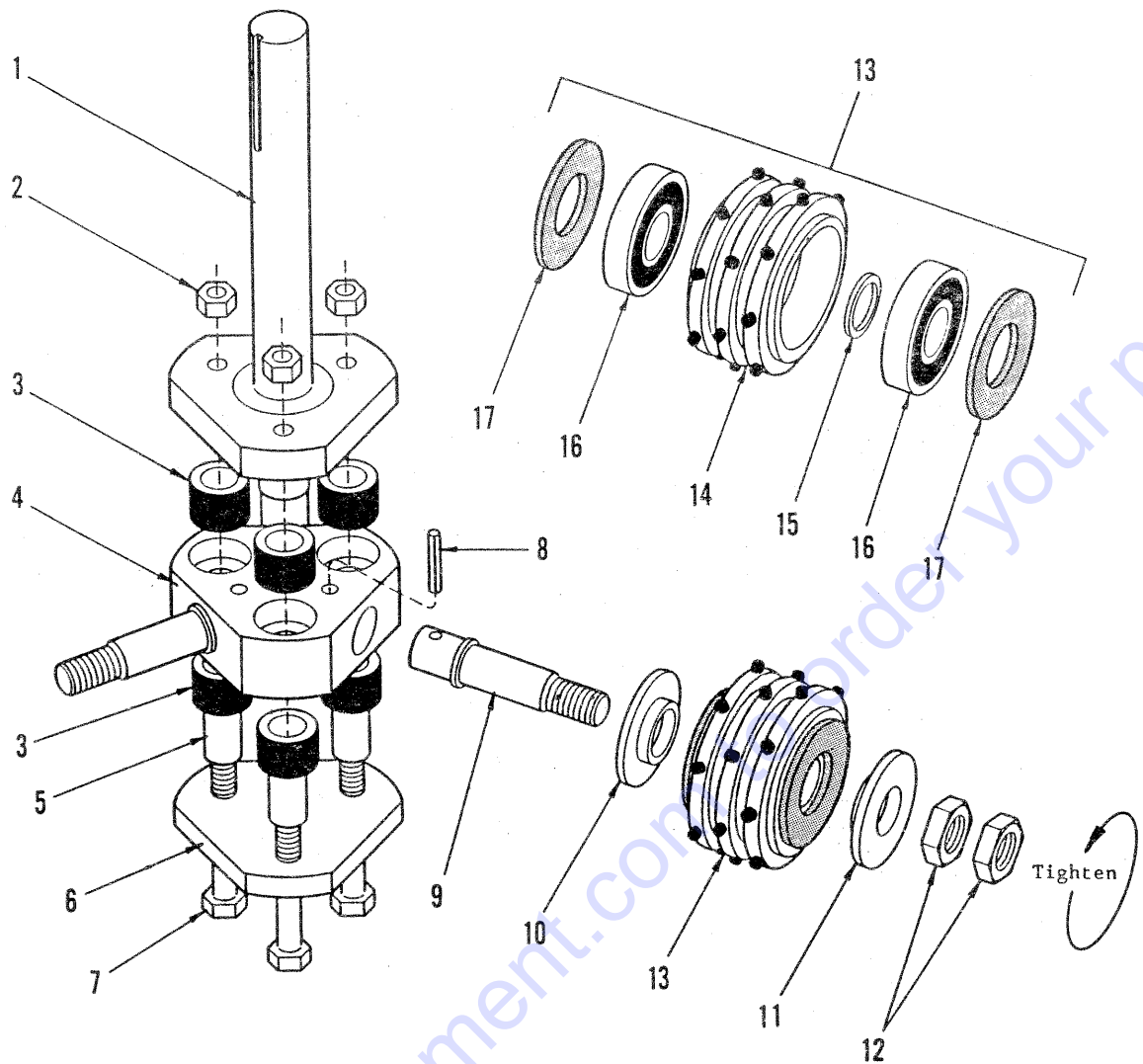


Fig. 3: Rotary Cutter Head Assembly

#68068 Spider Assembly, Rotary Head  
 (Includes Items # 1 Thru 9)

Item #	Part #	Qty.	Description
1.	68011	1	Shaft and Flange Assembly, Rotary
2.	10205	3	Nut, Lock 1/2-20
3.	68001	6	Bushing, Rubber 3/4ID x 7/8Thk.
4.	68012	1	Hub, Rotary Head
5.	68018	3	Sleeve, Rubber Bushing
6.	68013	1	Flange, Rotary Cutter Head Base
7.	10370	3	Screw, Cap 1/2-20 x 3-1/4
8.	10126	3	Pin, Roll 5/16 x 1-1/2
9.	68014	3	Shaft, Rotary Cutter
10.	68015	3	Flange, Rotary Cutter Inner
11.	68016	3	Flange, Rotary Cutter Outer
12.	10445	6	Nut, Jam 7/8-9 L.H.
13.	26010	1	TR-3 Set of 3 Rotary Cutters Complete - Includes Parts Below
14.	68048	1ea.	Cutter, Rotary
15.	68017	1ea.	Spacer, Rotary Bearing
16.	68004	2ea.	Bearing for TR-3 Cutter
17.	68006	2ea.	Seal, Felt 2-1/2OD x 1-1/4ID x 3/16

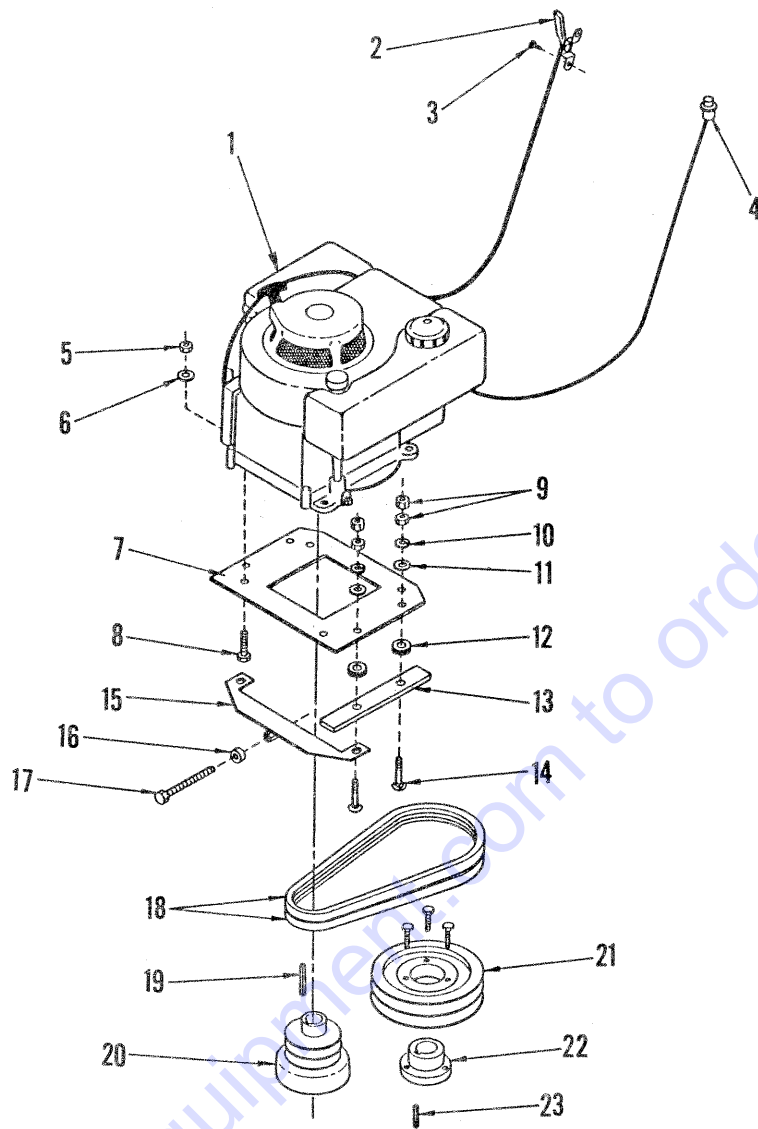


Fig. 4: Power Option Grouping

Item #	Part #	Qty.	Description	Item #	Part #	Qty.	Description
1.	76022	1	Engine, B&S 8 H.P.	12.	10034	4	Bushing, Rubber 1"OD x 3/8ID
	or 76004	1	Engine, Honda 11H.P. GXV340	13.	68034	2	Spacer, Engine Mount
	or 15019	1	Engine, Kawasaki 9H.P. FC290V	14.	10056	4	Bolt, Carr. 5/16-18 x 2"
2.	3611	1	Cable, Throttle Lever Type	15.	68035	1	Tensioner, Engine
3.	10828	2	Screw, Self-Tap 10-24 x 1/2	16.	10011	1	Spacer, Steel 5/8OD x 3/8ID
4.	50010	1	Switch, Stop Button	17.	52015	1	Screw, Cap 3/8-16 x 3-1/2 Full
5.	10054	2or4	Nut 5/16-18	18.	10251	2	Belt BP-34
6.	10801	2or4	Washer, Lock 5/16	19.	10071	1	Key 1/4 Sq. x 2-1/2"
7.	68033	1	Mount Plate, Engine	20.	76024	1	Clutch, Centrifugal 3.5"ODx2Gr.xi"B
8.	10606	2or4	Screw, Cap 5/16-18 x 1-1/4	21.	75010	1	Sheave, 6.9OD x 2Gr.B x SDS
	or 10048	2	Screw, Cap 5/16-24 x 3/4	22.	10064	1	Bushing, Sheave SDS x 1-1/4 Bore
	or *Note	4	Screw, Cap M8 x 1.25 x 25mm	23.	10305	1	Key 1/4Sq. x 1-1/4"
9.	10054	8	Nut 5/16-18				
10.	10801	4	Washer, Lock 5/16				
11.	10213	4	Washer, Flat 5/16				

\*Note: Included with 9HP Kawasaki Engine



# PARTS FINDER

**Search Website  
by Part Number**



**Search Manual  
Library For Parts  
Manual & Lookup Part  
Numbers – Purchase  
or Request Quote**

**Search Manuals**

Enter your information to help us find the right parts manual for your machine.

\* Brand:

\* Model:

\* Serial:

\* Part Number:

SEARCH

**Can't Find Part or  
Manual? Request Help  
by Manufacturer,  
Model & Description**

**Parts Order Form**

Please fill in the following information to help us find the right part for your machine.

Manufacturer:	<input type="text"/>
Model:	<input type="text"/>
Description:	<input type="text"/>
Part Number:	<input type="text"/>
Quantity:	<input type="text"/>
Notes:	<input type="text"/>

Submit

Discount-Equipment.com is your online resource for quality parts & equipment.

Florida: **561-964-4949** Outside Florida TOLL FREE: **877-690-3101**

**Need parts?**

Click on this link: <http://www.discount-equipment.com/category/5443-parts/> and choose one of the options to help get the right parts and equipment you are looking for. Please have the machine model and serial number available in order to help us get you the correct parts. If you don't find the part on the website or on one of the online manuals, please fill out the request form and one of our experienced staff members will get back to you with a quote for the right part that your machine needs.

We sell worldwide for the brands: Genie, Terex, JLG, MultiQuip, Mikasa, Essick, Whiteman, Mayco, Toro Stone, Diamond Products, Generac Magnum, Airman, Haulotte, Barreto, Power Blanket, Nifty Lift, Atlas Copco, Chicago Pneumatic, Allmand, Miller Curber, Skyjack, Lull, Skytrak, Tsurumi, Husquvarna Target, Stow, Wacker, Sakai, Mi-T-M, Sullair, Basic, Dynapac, MBW, Weber, Bartell, Bennar Newman, Haulotte, Ditch Runner, Menegotti, Morrison, Contec, Buddy, Crown, Edco, Wyco, Bomag, Laymor, EZ Trench, Bil-Jax, F.S. Curtis, Gehl Pavers, Heli, Honda, ICS/PowerGrit, IHI, Partner, Imer, Clipper, MMD, Koshin, Rice, CH&E, General Equipment, Amida, Coleman, NAC, Gradall, Square Shooter, Kent, Stanley, Tamco, Toku, Hatz, Kohler, Robin, Wisconsin, Northrock, Oztec, Toker TK, Rol-Air, APT, Wylie, Ingersoll Rand / Doosan, Innovatech, Con X, Ammann, Mecalac, Makinex, Smith Surface Prep, Small Line, Wanco, Yanmar